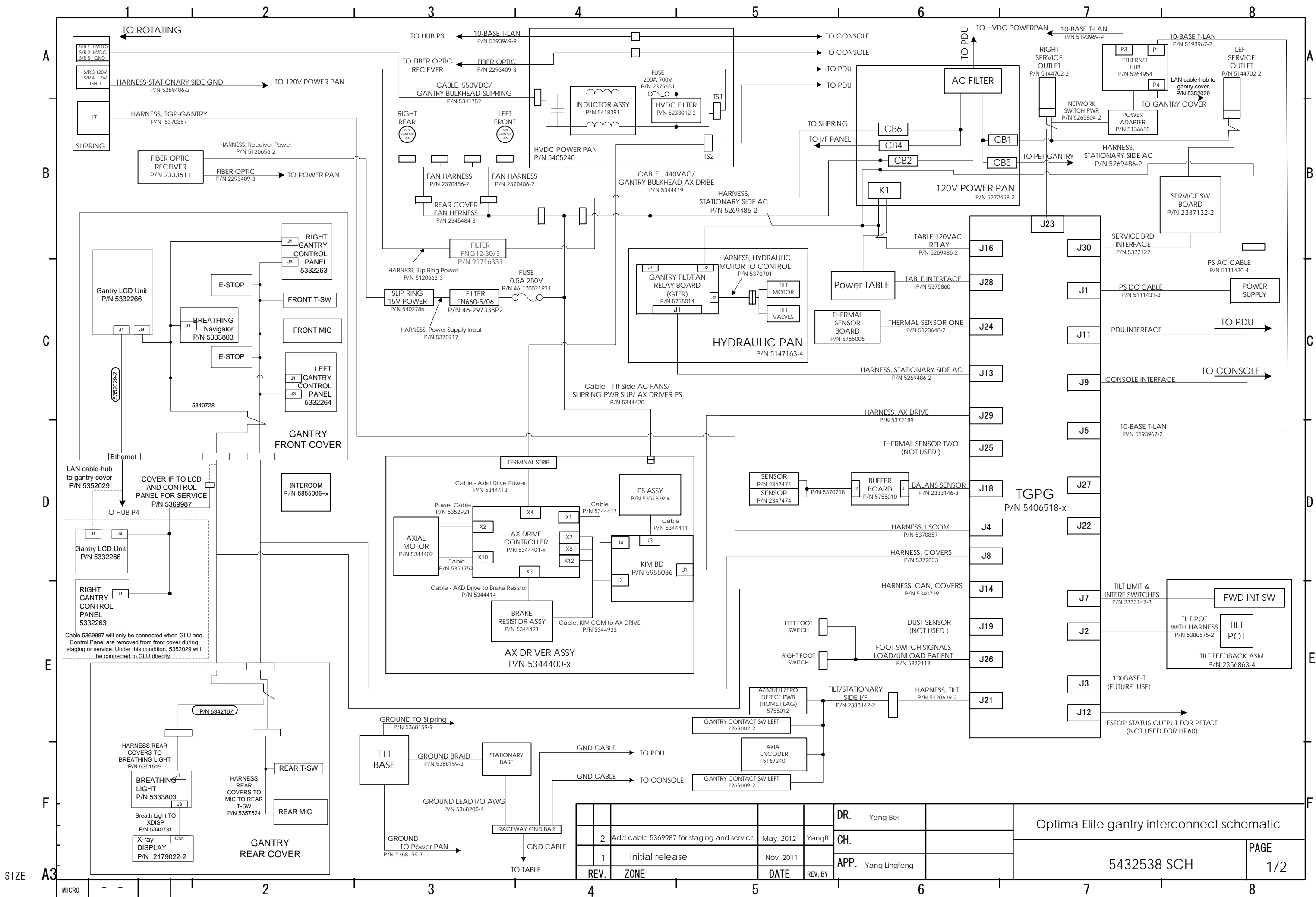


State: RELEASE - Document is released and under formal Change Control. Changes are subject to the ECR/ECO Process. See the GEHC Myworkshop System to determine the status of this document.

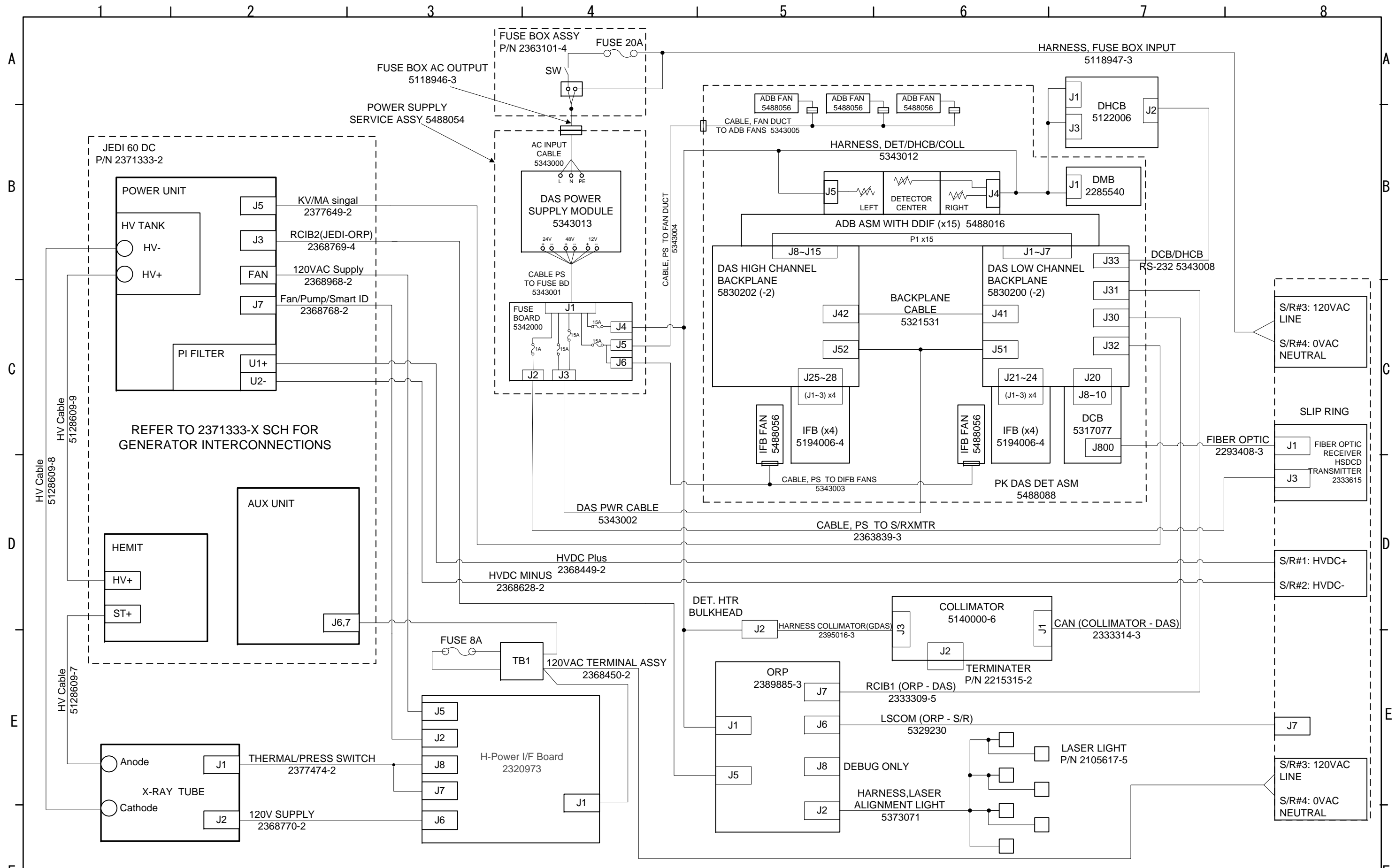


DR.	Yang Bei			
CH.				
APP.	Yang Lingfeng			
REV.	ZONE	DATE	REV. BY	
2	Add cable 5369987 for staging and service	May, 2012	YangB	
1	Initial release	Nov, 2011		

Optima Elite gantry interconnect schematic

5432538 SCH PAGE 1/2

State: RELEASE - Document is released and under formal Change Control. Changes are subject to the ECR/ECO Process. See the GEHC Myworkshop System to determine the status of this document.



2	Add cable 5369987 for staging and service	May, 2012	YangB	DR.	Yang Bei	Optima Elite gantry interconnect schematic	PAGE 2/2
1	Initial Release	Nov, 2011		CH.			
REV.	ZONE	DATE	REV. BY	APP.	Yang Lingfeng		