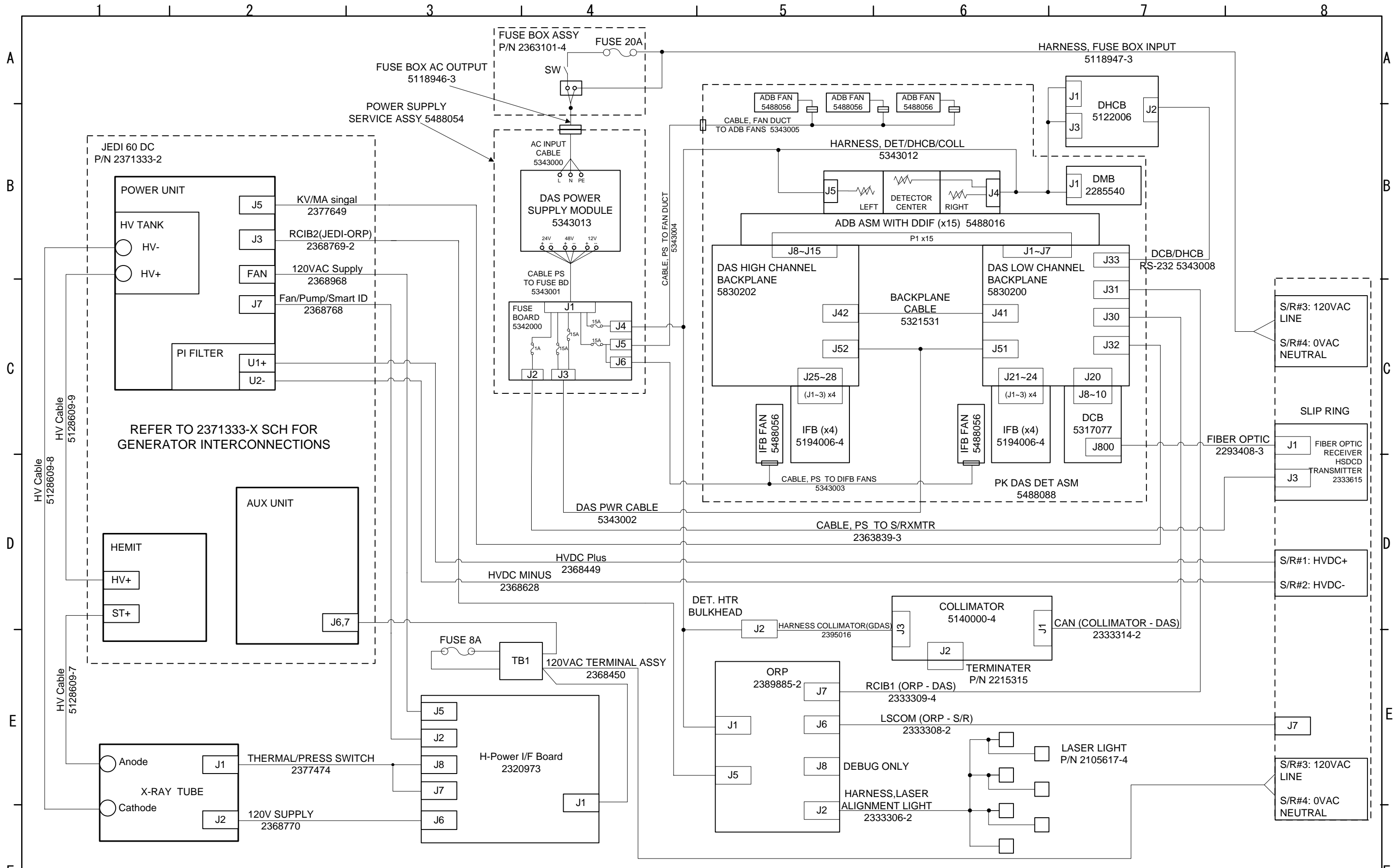


静止和倾斜部分 Stationary and Tilt Side:  
 5488100, Meri Power Gantry asm, 16 slices, 6.3M Tube  
 5488100-2, Meri Power Gantry asm, 16 slices, 6.3M Green Tube

DR.	Yang Bei	2009-12-14	Meri gantry interconnect schematic	
CH.				
APP.	Yang Lingfeng	2009-12-15	5488100 SCH	PAGE 1/2
REV.	ZONE	DATE	REV. BY	
1	Initial Release	2009-Dec		

SIZE A3

MICRO - - 2 3 4 5 6 7 8



旋转部分 5488100, Meri Power Gantry Asm, 16 Slices, Pancake DAS, 6.3M Tube  
 Rotation Side: 5488100-2, Meri Power Gantry asm, 16 slices, Pancake DAS, 6.3M Green Tube

DR.	Yu Miao	2009-12-14	Meri gantry interconnect schematic	
CH.				
APP.	Chen Wenbo	2009-12-15	5488100 SCH	PAGE 2/2
REV.	ZONE	DATE	REV. BY	
1	Initial Release	2009-Dec		

SIZE A3