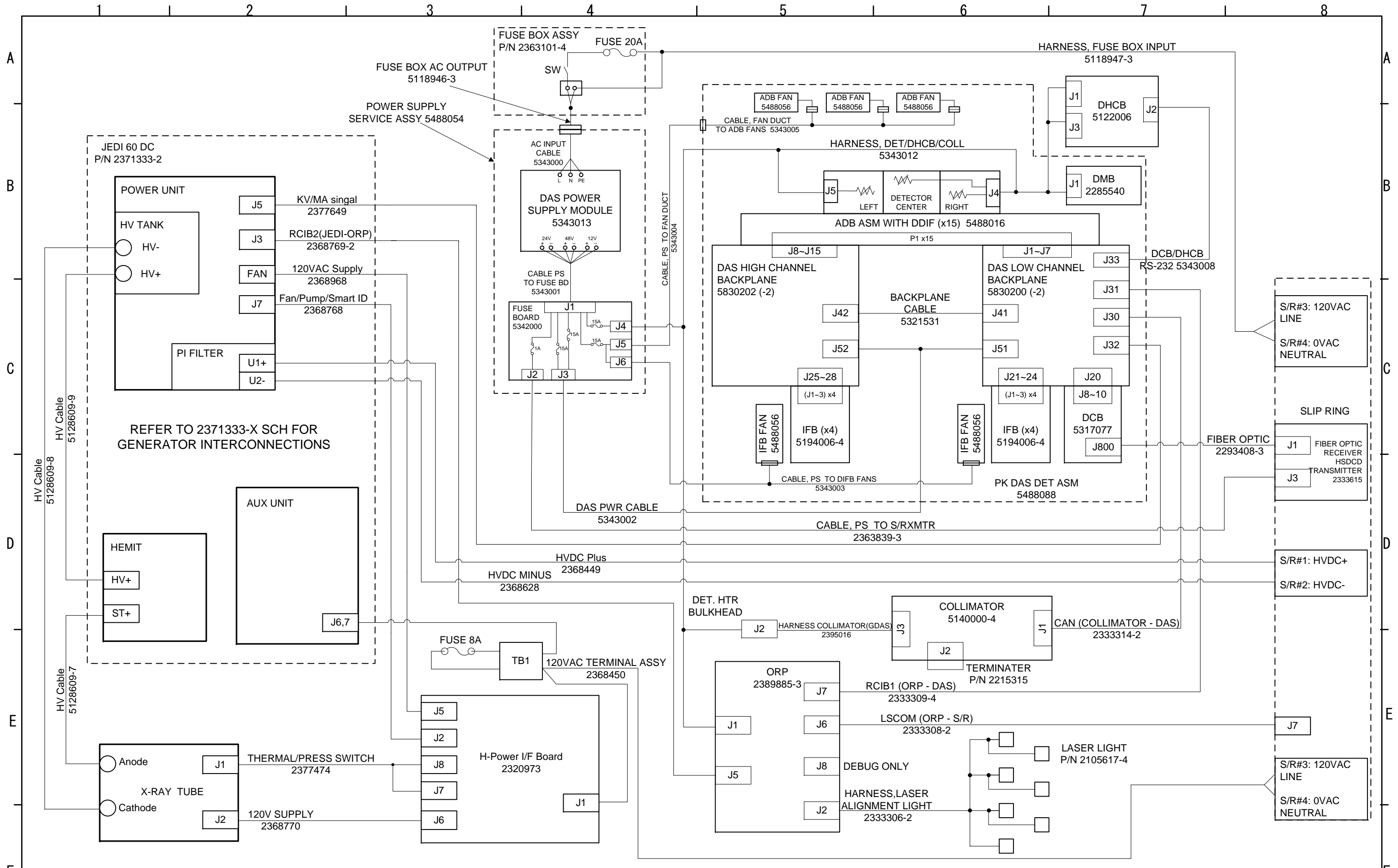


静止和倾斜部分 Stationary and Tilt Side:  
 5488100, Meri Power Gantry asm, 16 slices, 6.3M Tube  
 5488100-2, Meri Power Gantry asm, 16 slices, 6.3M Green Tube

REV.	ZONE	DATE	REV. BY	DR.	DATE	Meri gantry interconnect schematic	PAGE 1/2
2	Phase in new AX driver assy 5344400	2010-May	Yang Bei	CH.			
1	Initial Release	2009-Dec		APP.	Yang Lingfeng		
						5488100 SCH	

SIZE A3



旋转部分 5488100, Meri Power Gantry Asm, 16 Slices, Pancake DAS, 6.3M Tube  
 Rotation Side: 5488100-2, Meri Power Gantry asm, 16 slices, Pancake DAS, 6.3M Green Tube

REV.	ZONE	DATE	REV. BY	DR.	DATE	Meri gantry interconnect schematic	PAGE 2/2
2		2010-May	Yu Miao	CH.			
1		2009-Dec		APP.	Chen Wenbo		
						5488100 SCH	

SIZE A3

MICRO - -