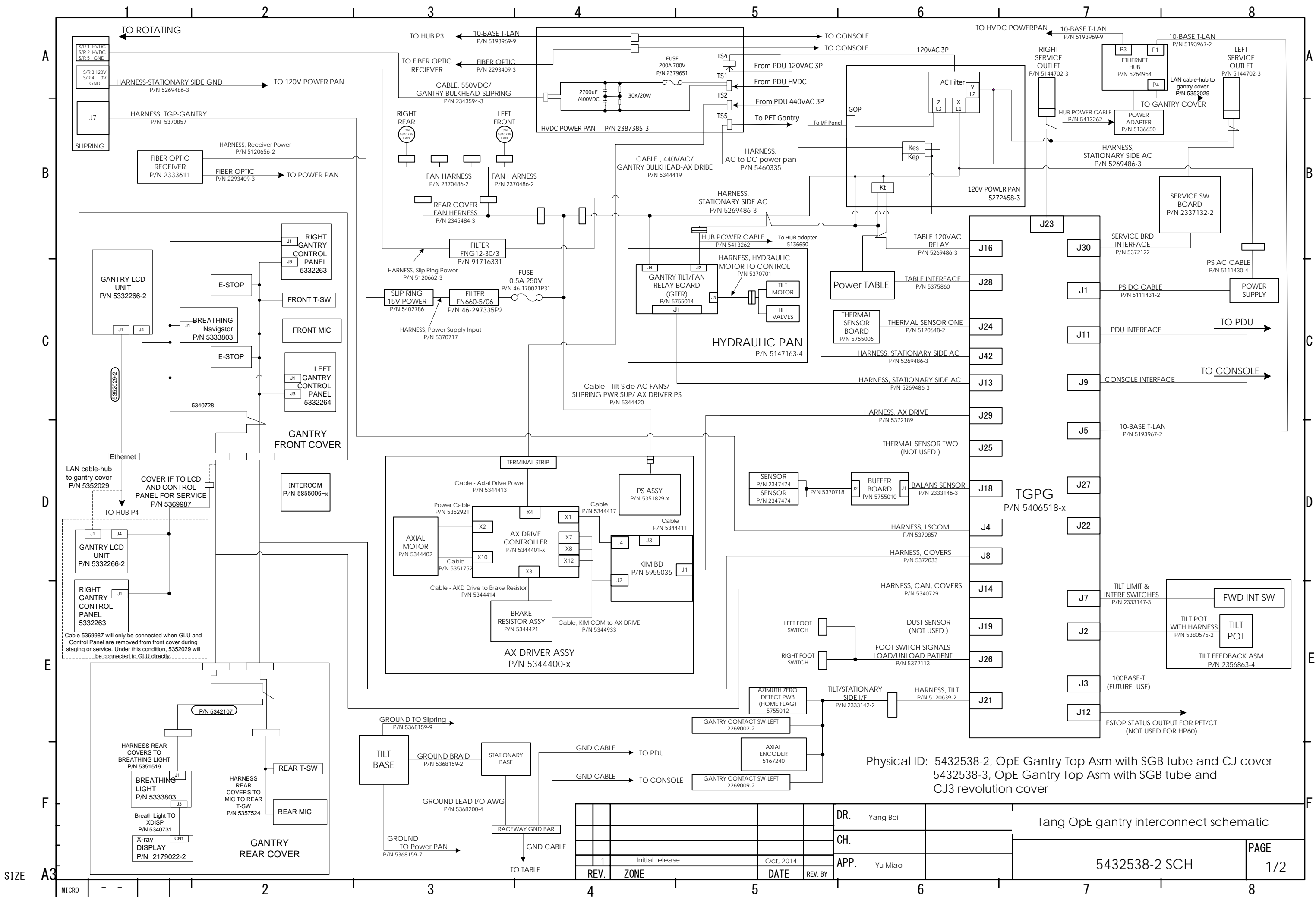


State: RELEASE - Document is released and under formal Change Control. Changes are subject to the ECR/ECO Process. See the GEHC Myworkshop System to determine the status of this document.

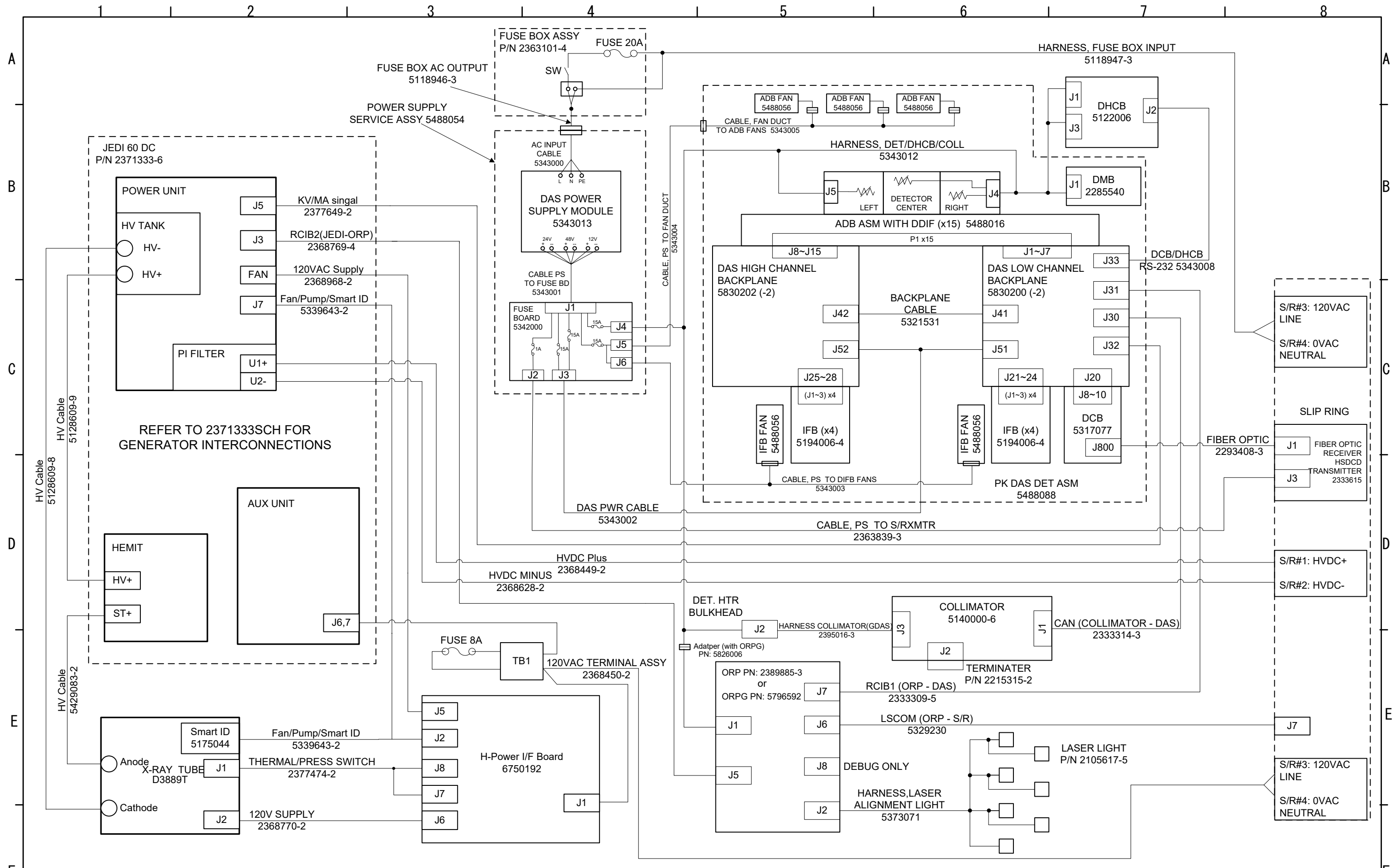


Physical ID: 5432538-2, OpE Gantry Top Asm with SGB tube and CJ cover
 5432538-3, OpE Gantry Top Asm with SGB tube and CJ3 revolution cover

Tang OpE gantry interconnect schematic

DR.	Yang Bei				
CH.					
APP.	Yu Miao				
REV.	1	Initial release	Oct, 2014		
ZONE					
DATE					
REV. BY					

State: RELEASE - Document is released and under formal Change Control. Changes are subject to the ECR/ECO Process. See the GBHC Myworkshop System to determine the status of this document.



DR.	Yang Bei	Tang OpE gantry interconnect schematic	
CH.			
APP.	Yu Miao	5432538-2 SCH	PAGE 2/2
REV. 1	Initial Release	Oct. 2014	