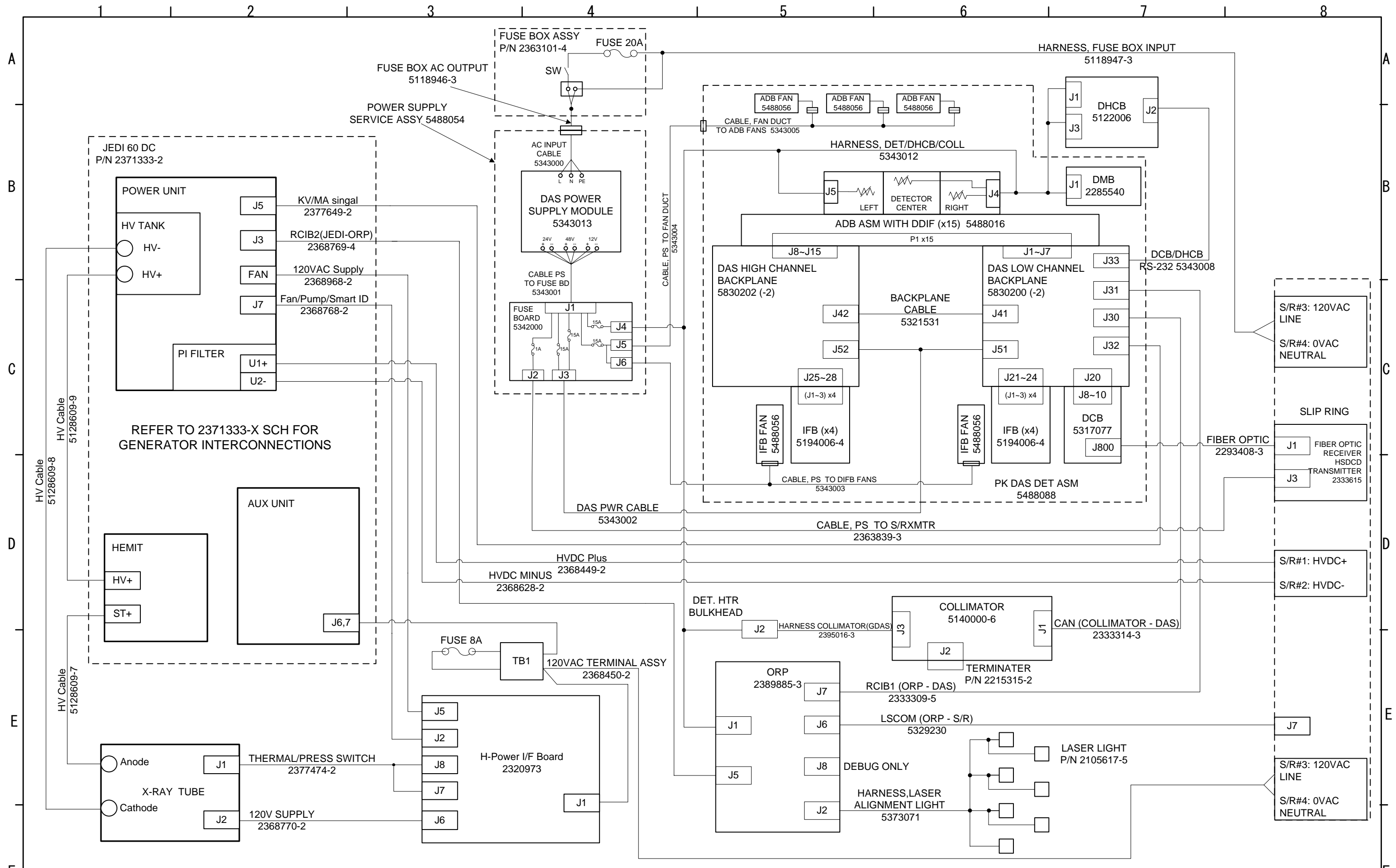


REV.	ZONE	DESCRIPTION	DATE	REV. BY	APP.	DR.
4		Update power cable for HUB adapter	May, 2014	YangB	DR.	Yang Bei
3		Update Powerpan parts	June, 2013	Liu LB	CH.	
2		Add cable 5369987 for staging and service	May, 2012	YangB	APP.	Yang Lingfeng
1		Initial release	Nov., 2011			

Optima Elite gantry interconnect schematic

State: RELEASE - Document is released and under formal Change Control. Changes are subject to the ECR/ECO Process. See the GEHC Myworkshop System to determine the status of this document.



REV.	ZONE	DATE	REV. BY	APP.	DR.	CH.	APP.
4		May, 2014	YangB	DR.	Yang Bei		
3		June, 2013	Liu LB	CH.			
2		May, 2012	YangB	APP.			
1		Nov, 2011		APP.	Yang Lingfeng		

Optima Elite gantry interconnect schematic							PAGE
5432538 SCH							2/2