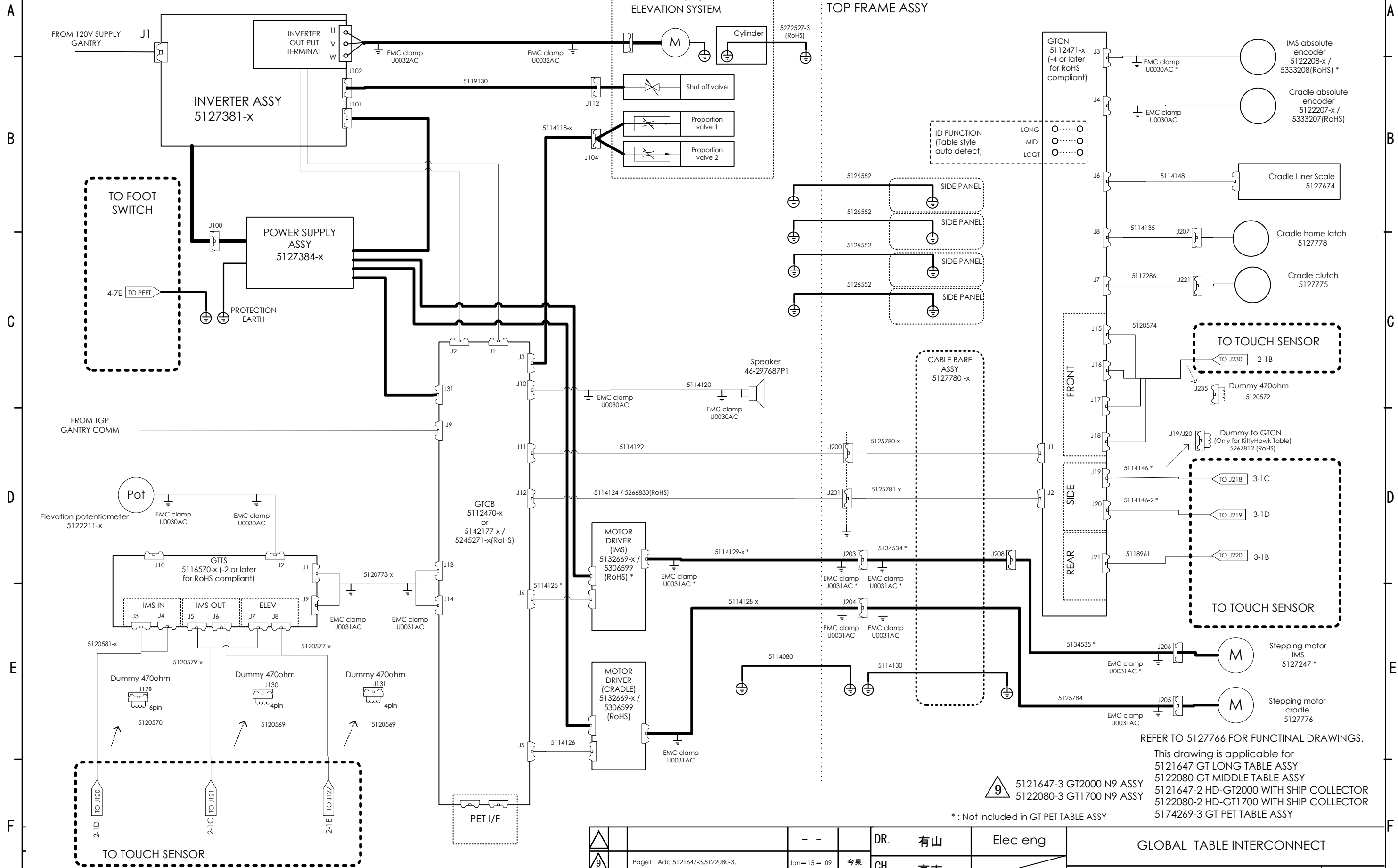


OVER VIEW



REFER TO 5127766 FOR FUNCTIONAL DRAWINGS.

This drawing is applicable for
 5121647 GT LONG TABLE ASSY
 5122080 GT MIDDLE TABLE ASSY
 5121647-2 HD-GT2000 WITH SHIP COLLECTOR
 5122080-2 HD-GT1700 WITH SHIP COLLECTOR
 5174269-3 GT PET TABLE ASSY

9 5121647-3 GT2000 N9 ASSY
 5122080-3 GT1700 N9 ASSY

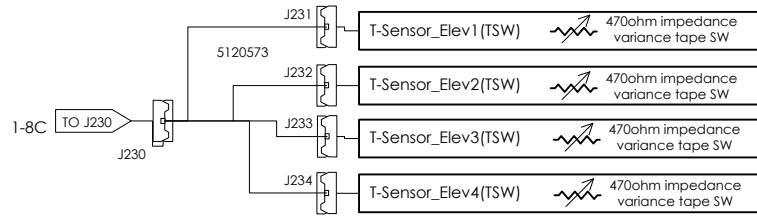
* : Not included in GT PET TABLE ASSY

△		--		DR. 有山	Elec eng	GLOBAL TABLE INTERCONNECT	
9	Page1 Add 5121647-3,5122080-3.	Jan-15-09	今泉	CH. 高市		PAGE 1 / 4	
8	Page1-4 A-5. Add Cylinder GND Cable. ALL. Addition part number for KittyHawk Table	Apr/16/08	小田切	APP. 薩た	Nov/05/2004	5121647SCH	
REV.	ZONE	DATE	REV. BY				

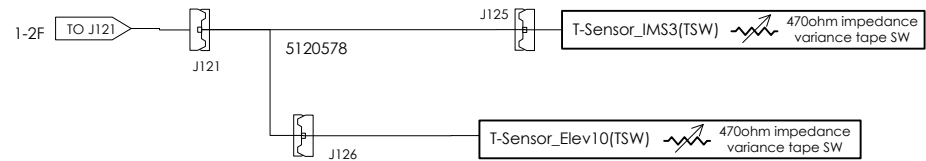
SIZE A3
 技術部 MICRO

TOUCH SENSOR

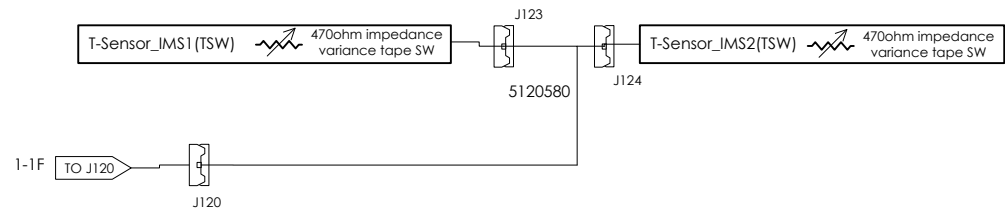
TOP COVER FRONT ASSY 5127465 - x



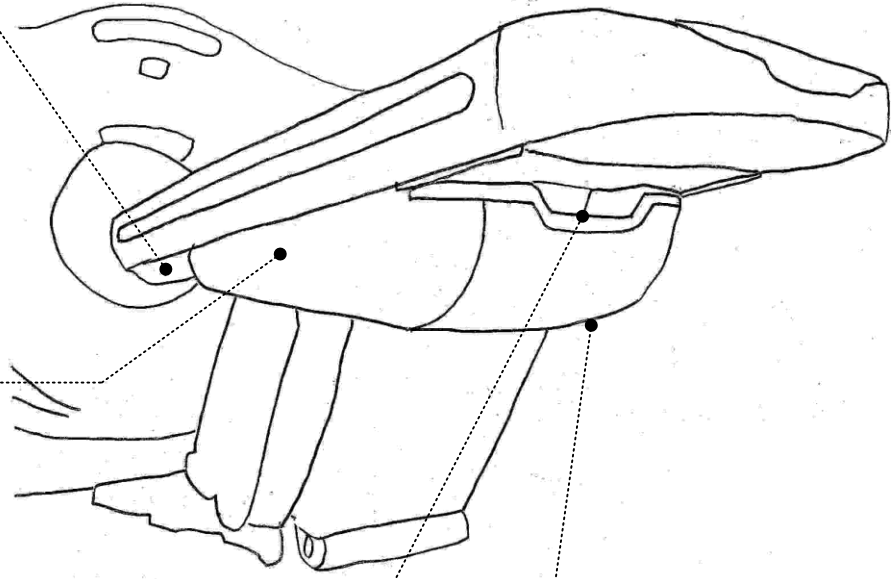
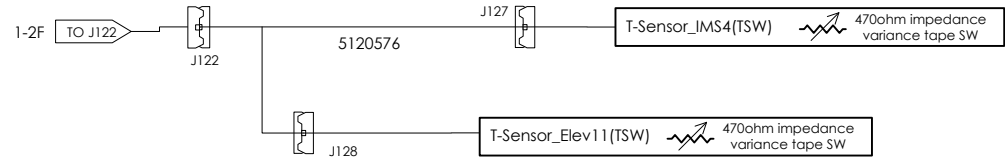
IMS LEFT SIDE COVER 5127463



IMS REAR UPPER COVER 5127462



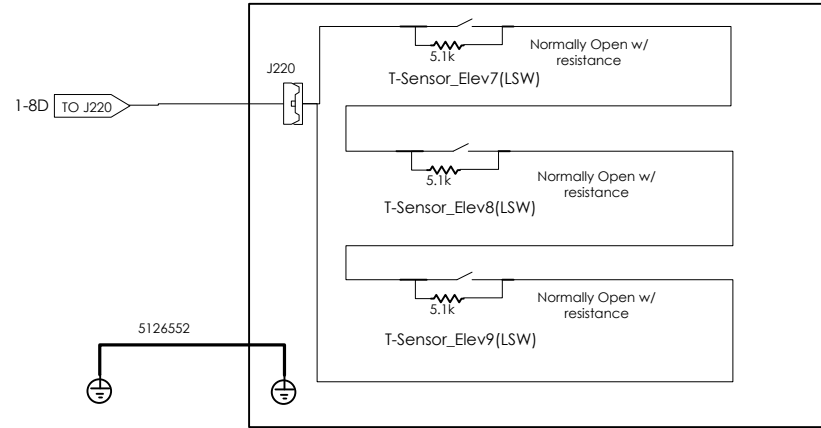
IMS RIGHT SIDE COVER 5127464



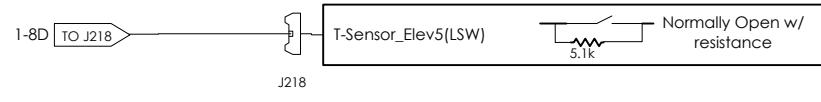
△		--		DR.	有山	Elec eng	GLOBAL TABLE INTERCONNECT	
△		--		CH.	高市		5121647SCH	
△	8	Page1-4 A-5, Add Cylinder GND Cable. ALL, Addition part number for KittyHawk Table	Apr/16/08	小田切	APP.	薩た	Nov/05/2004	PAGE 2
REV.	ZONE	DATE	REV. BY					

TOUCH SENSOR

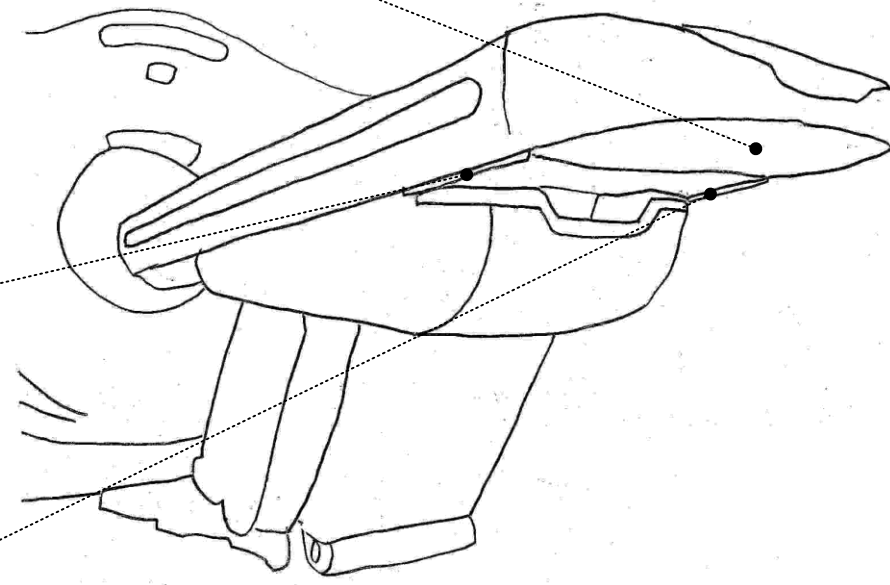
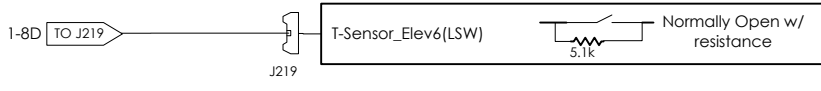
GT REAR TOUCH SWITCH 5125112



TOUCH SENSOR R ASSY 5127469 *



TOUCH SENSOR L ASSY 5127470 *



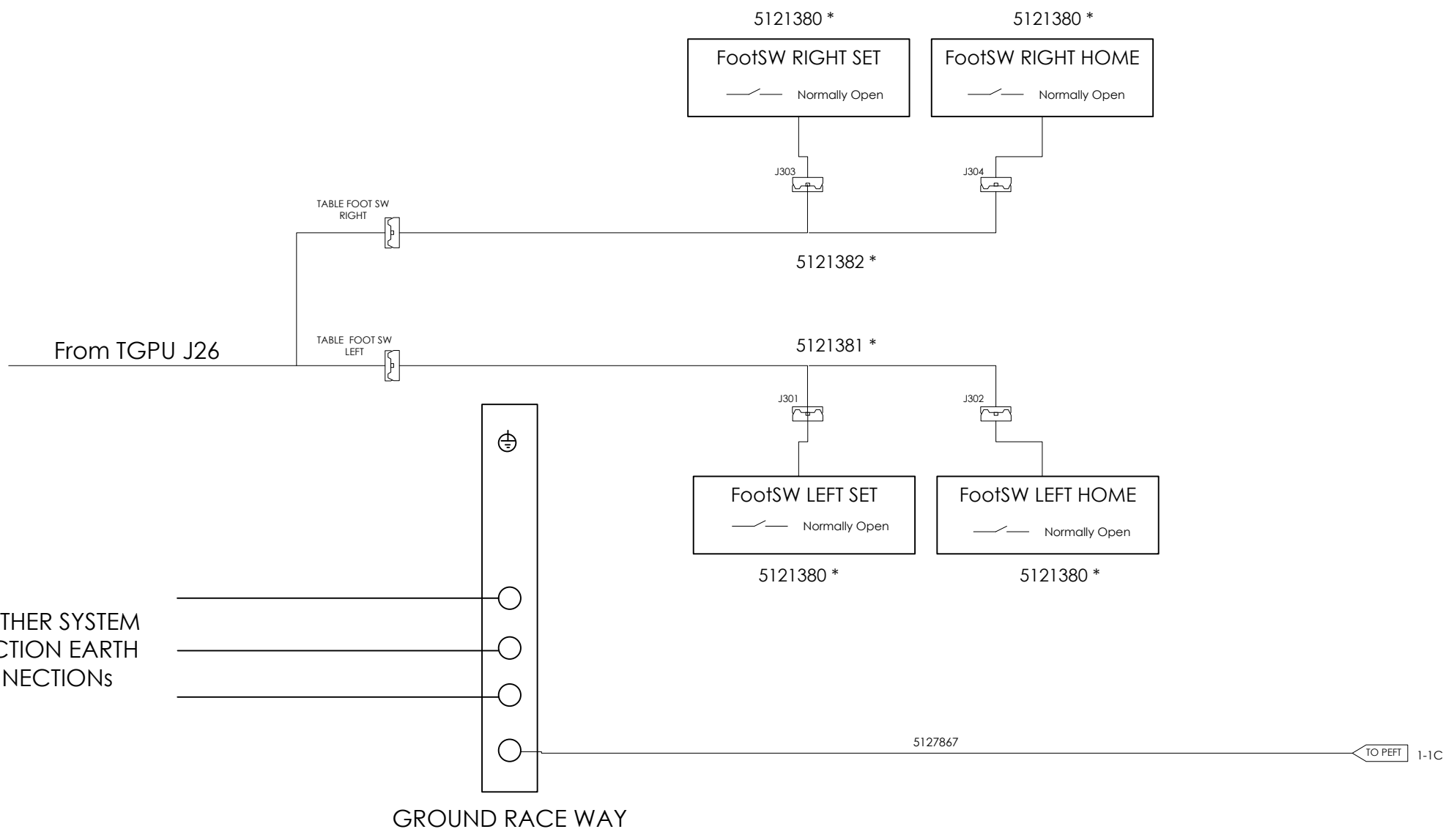
△		--		DR.	有山	Elec eng	GLOBAL TABLE INTERCONNECT	
△		--		CH.	高市		5121647SCH	
△	8	Page1-4 A-5. Add Cylinder GND Cable. ALL. Addition part number for KittyHawk Table	Apr/16/08	REV. BY	小田切	Nov/05/2004	PAGE	3
REV.	ZONE	DATE	REV. BY	APP.	薩た			

SIZE A3
技術部 MICRO - -

Form Y-13A-1

GE Helthcare

FOOT SWITCH



△		--		DR.	有山	Elec eng	GLOBAL TABLE INTERCONNECT	
△		--		CH.	高市		5121647SCH	
△	8	Page1-4 A-5. Add Cylinder GND Cable. ALL. Addition part number for KittyHawk Table	Apr/16/08	小田切	APP.	薩た	Nov/05/2004	PAGE 4
REV.	ZONE		DATE	REV. BY				

SIZE A3
技術部 MICRO - -

Form Y-13A-1