

NOTES: 1. THIS COVER SHEET CONTROLS THE REVISION STATUS OF THE ENTIRE DOCUMENT.  
 2. ELECTRONIC SIGNATURES FOR BOTH THE SCHEMATIC REVIEWERS AND APPROVERS CAN BE FOUND WITHIN E-PDM.

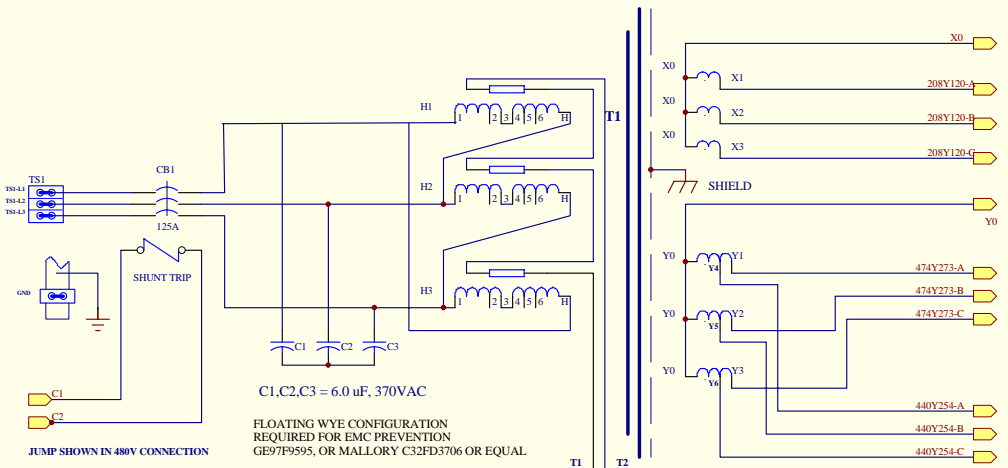
SHEET_NAME	SHT_NUM	REV
BLOCK	2	1
INPUT	3	1
HVDC	4	1
AXIAL DRIVE	5	1
LVAC	6	1
CUSTOMER IO	7	1

REVISION	ECR/ECO	DATE	SIGN OFF
1	2014072	2005.05.09	

标记	REV	QTY	改单号	FZ2 No.	签字	MADE BY	日期	DATE	描述	DESCRIPTION
<b>GEHW MEDICAL SYSTEMS</b>									名称 TITLE	NGPDU-4 SCH
设计	DESIGNER	王冬平		Wang DongPing		比例	SCALE		文件代号	DOC.NO
审核	CHECKER	吴鲲鹏		Wu Hawk				2326492-4SCH		
复审	RECHECKER									
标审	STANDARD									
批准	APPROVAL	杨绪勇		Yang XuYong		sheet	1 of 7			



INPUT POWER AND TRANSFORMER ASSEMBLY



C1,C2,C3 = 6.0 uF, 370VAC

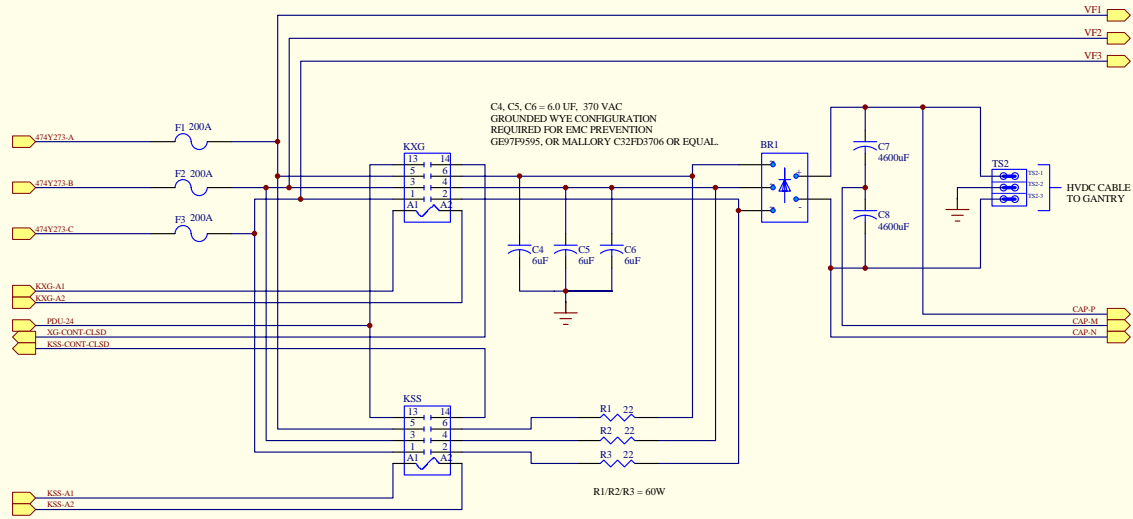
FLOATING WYE CONFIGURATION  
REQUIRED FOR EMC PREVENTION  
GE97F9595, OR MALLORY C32FD3706 OR EQUAL

JUMP SHOWN IN 480V CONNECTION

PRIMARY		SECONDARY	
VOLTAGE	LEAD CONNECTION	VOLTAGE	LEAD CONNECTION
280v	2-5	208Y120	X1,X2,X3,X0
400v	2-5		
430v	2-4		
480v	3-6	474Y273	Y1,Y2,Y3,Y0
460	3-5		
480v	3-4	440Y254	Y4,Y5,Y6,Y0

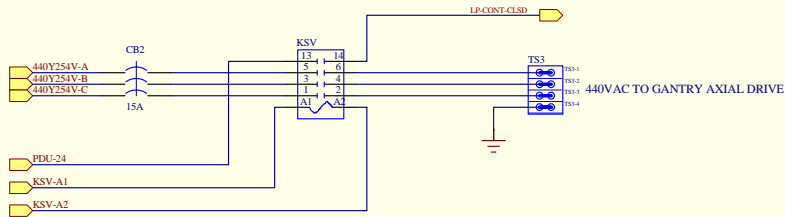
标记	REV	QTY	改单号	FZ2 No.	签字	MADE BY	日期 DATE	描述 DESCRIPTION
GEHW MEDICAL SYSTEMS							名称 TITLE	NGPDU-4 SCH
设计 DESIGNER						比例 SCALE	文件代号 DOC.NO	
审核 CHECKER								
复审 RECHECKER								
标准 STANDARD								
批准 APPROVAL						sheet 3 of 7	2326492-4SCH	

### HVDC ASSEMBLY



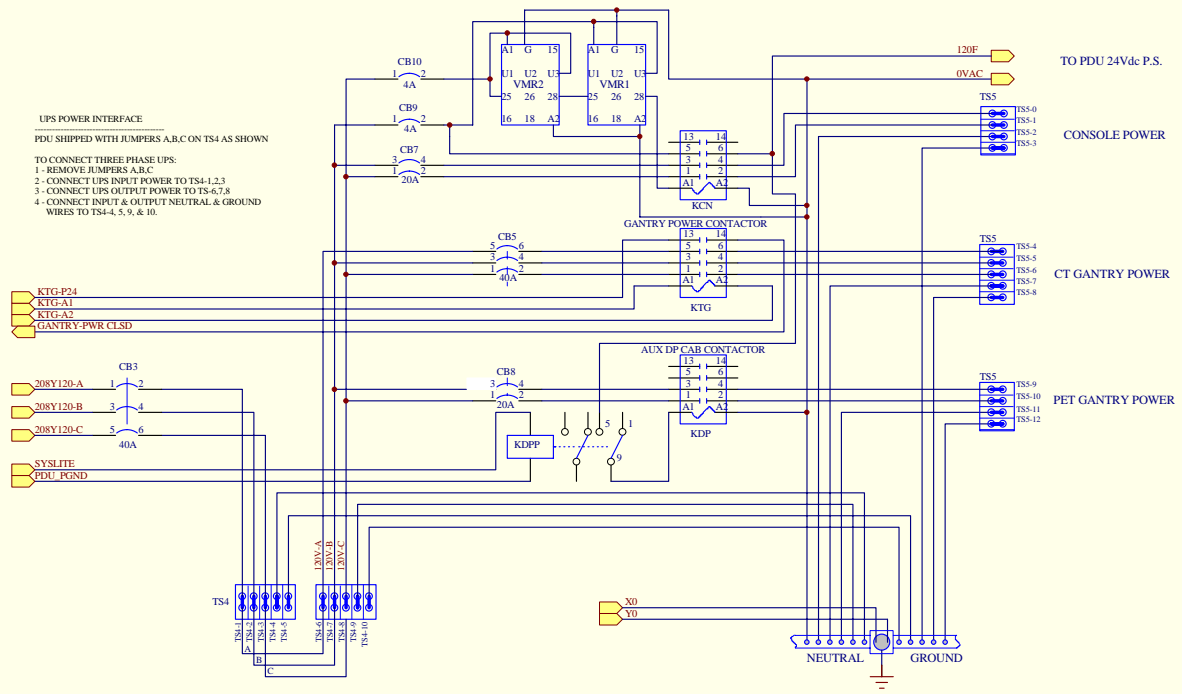
标记	REV	QTY	改单号	FZ2 No.	签字	MADE BY	日期	DATE	描述	DESCRIPTION
<b>GEHW MEDICAL SYSTEMS</b>								名称	NGPDU-4 SCH	
								TITLE		
设计	DESIGNER						比例	SCALE	文件代号	DOC.NO
审核	CHECKER									
复审	RECHECKER									
标准	STANDARD									
批准	APPROVAL						sheet	4 of 7		
									2326492-4SCH	

AXIAL DRIVE POWER CONTROL



标记	REV	QTY	改单号	FZ2 No.	签字	MADE BY	日期 DATE	描述 DESCRIPTION
GEHW MEDICAL SYSTEMS							名称 TITLE	NGPDU-4 SCH
设计 DESIGNER					比例 SCALE		文件代号 DOC.NO	
审核 CHECKER							2326492-4SCH	
复审 RECHECKER								
标审 STANDARD								
批准 APPROVAL					sheet	5 of 7		

### LVAC POWER DISTRIBUTION

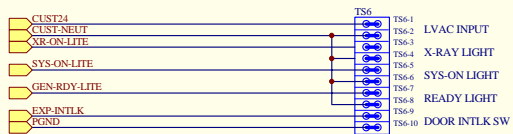
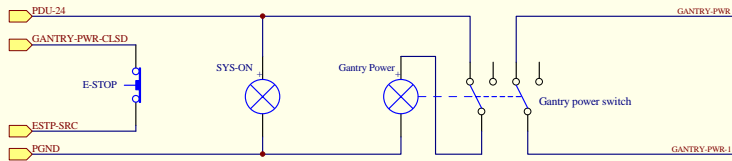


**UPS POWER INTERFACE**  
PDU SHIPPED WITH JUMPERS A,B,C ON TS4 AS SHOWN

**TO CONNECT THREE PHASE UPS:**  
1 - REMOVE JUMPERS A,B,C  
2 - CONNECT UPS INPUT POWER TO TS4-1,2,3  
3 - CONNECT UPS OUTPUT POWER TO TS4-6,7,8  
4 - CONNECT INPUT & OUTPUT NEUTRAL & GROUND WIRES TO TS4-4, 5, 9, & 10.

标记	REV	QTY	改单号	FZ2 No.	签字	MADE BY	日期	DATE	描述	DESCRIPTION
<b>GEHW MEDICAL SYSTEMS</b>									名称	NGPDU-4 SCH
									TITLE	
设计	DESIGNER					比例	SCALE			
审核	CHECKER							文件代号	DOC.NO	
复审	RECHECKER							2326492-4SCH		
标准	STANDARD									
批准	APPROVAL					sheet	6 of 7			

CUSTOMER I/O



Customer Room Interface

标记	REV	QTY	改单号	FZ2 No.	签字	MADE BY	日期	DATE	描述	DESCRIPTION
<b>GEHW MEDICAL SYSTEMS</b>									名称 TITLE	NGPDU-4 SCH
设计	DESIGNER						比例		SCALE	文件代号 DOC.NO  2326492S-4CH
审核	CHECKER									
复审	RECHECKER									
标审	STANDARD									
批准	APPROVAL						sheet	7 of 7		