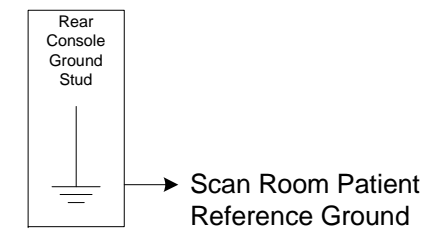
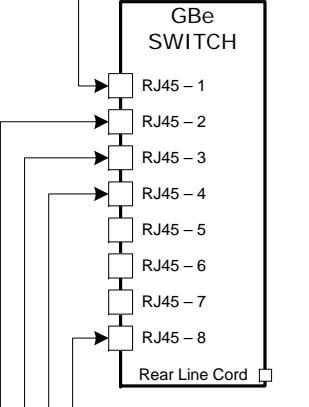
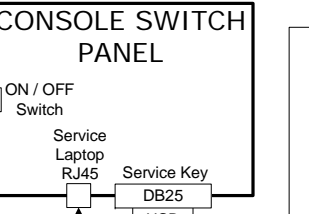
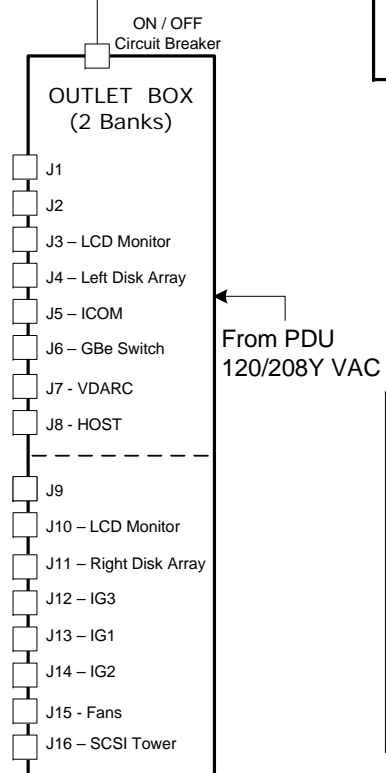
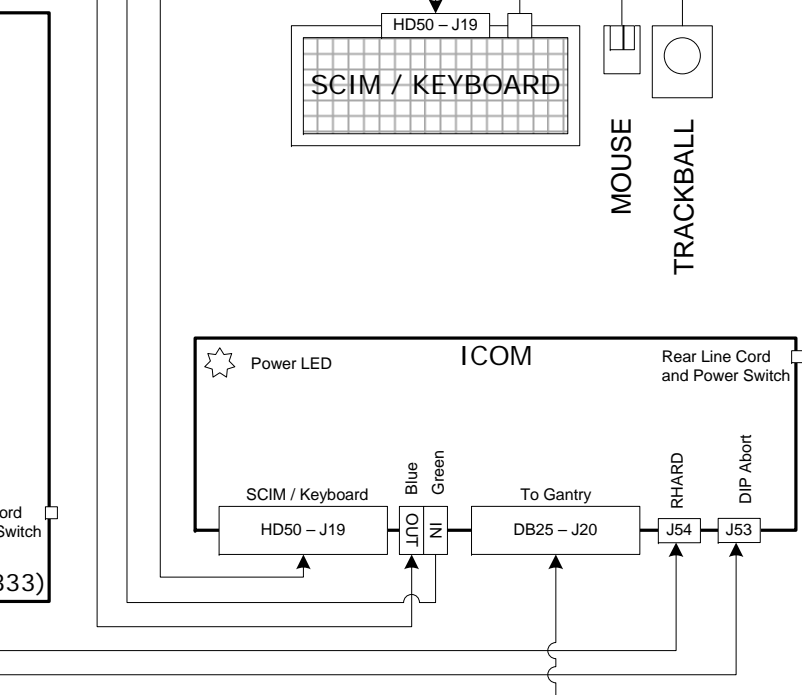
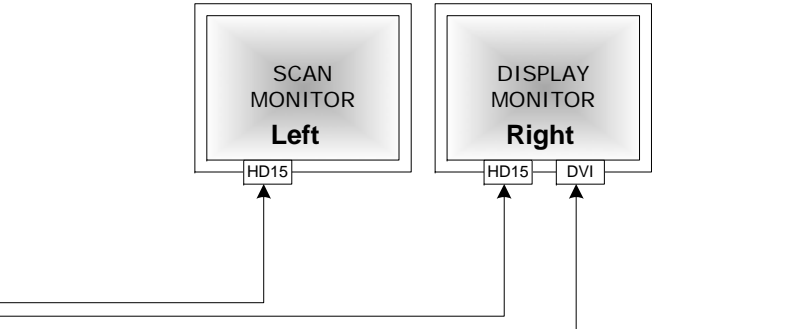


HOST ETHERNET ADDRESS CHART

Physical Port	Name	xw8000	xw8200/xw8400
A	HSP	eth0 (hostid)	eth2
B	TBL	eth1	eth3
C	VDARC	eth2	eth0 (hostid)
D	GANTRY	eth3	eth1



- Injector / PET Printer – RJ45 “INJ”
- Cardiac Monitor – RJ45 “EKG”
- AW / Xeleris Workstation – RJ45 “AW/X”
- CT: Table / Gantry Positioning – RJ45 “TGP”
- PET: PET Gantry Bulkhead
- Console Rear Bulkhead
- Gantry Signal – DB25 “J20” – RUN 101
- Slipping Data – Fiber Optic (Channel 1/2) “J52”
- PET Coincidence Link – RJ45 “GTY”
- Hospital Network – RJ45 “HSP”
- Table Height – RJ45 “TBL”