

GE Healthcare

LightSpeed 2.X

Illustrated Parts List

OPERATING DOCUMENTATION



2243316-100
Rev 13

The information contained in this manual applies to the following LightSpeed 2.X (a.k.a. LightSpeed Plus w/SDAS) catalog numbers:

- B7850JA (America)
- B7850JB (Asia)
- B7850JC (Europe)
- B7850JD (America - LSPD Plus Performer)
- B7850JE (Asia - LSPD Plus Performer)
- B7850JF (Europe - w/D3D)
- B7850JL (America - LSPD Plus Loaded)
- B7850PA (Upgrade from CT/i)
- B7850PC (Upgrade from 1x/2x)

IMPORTANT PRECAUTIONS

LANGUAGE

Предупреждение

(BG)

- ТОВА УПЪТВАНЕ ЗА РАБОТА Е НАЛИЧНО САМО НА АНГЛИЙСКИ ЕЗИК.
- АКО ДОСТАВЧИКЪТ НА УСЛУГАТА НА КЛИЕНТА ИЗИСКА ЕЗИК, РАЗЛИЧЕН ОТ АНГЛИЙСКИ, ЗАДЪЛЖЕНИЕ НА КЛИЕНТА Е ДА ОСИГУРИ ПРЕВОД.
- НЕ ИЗПОЛЗВАЙТЕ ОБОРУДВАНЕТО ПРЕДИ ДА СТЕ СЕ КОНСУЛТИРАЛИ И РАЗБРАЛИ УПЪТВАНЕТО ЗА РАБОТА.
- НЕСПАЗВАНЕТО НА ТОВА ПРЕДУПРЕЖДЕНИЕ МОЖЕ ДА ДОВЕДЕ ДО НАРАНЯВАНЕ НА ДОСТАВЧИКА НА УСЛУГАТА, ОПЕРАТОРА ИЛИ ПАЦИЕНТ В РЕЗУЛТАТ НА ТОКОВ УДАР ИЛИ МЕХАНИЧНА ИЛИ ДРУГА ОПАСНОСТ.

警告

(ZH-CN)

- 本维修手册仅提供英文版本。
- 如果维修服务提供商需要非英文版本，客户需自行提供翻译服务。
- 未详细阅读和完全理解本维修手册之前，不得进行维修。
- 忽略本警告可能对维修人员，操作员或患者造成触电、机械伤害或其他形式的伤害。

VÝSTRAHA

(CS)

- Tento provozní návod existuje pouze v anglickém jazyce.
- V případě, že externí služba zákazníkům potřebuje návod v jiném jazyce, je zajištění překladu do odpovídajícího jazyka úkolem zákazníka.
- Nesnažte se o údržbu tohoto zařízení, aniž byste si přečetli tento provozní návod a pochopili jeho obsah.
- V případě nedodržování této výstrahy může dojít k poranění pracovníka prodejního servisu, obslužného personálu nebo pacientů vlivem elektrického proudu, respektive vlivem mechanických či jiných rizik.

ADVARSEL

(DA)

- Denne servicemanual findes kun på engelsk.
- Hvis en kundes tekniker har brug for et andet sprog end engelsk, er det kundens ansvar at sørge for oversættelse.
- Forsøg ikke at servicere udstyret medmindre denne servicemanual har været konsulteret og er forstået.
- Manglende overholdelse af denne advarsel kan medføre skade på grund af elektrisk, mekanisk eller anden fare for teknikeren, operatøren eller patienten.

WAARSCHUWING

(NL)

- Deze onderhoudshandleiding is enkel in het Engels verkrijgbaar.
- Als het onderhoudspersoneel een andere taal vereist, dan is de klant verantwoordelijk voor de vertaling ervan.
- Probeer de apparatuur niet te onderhouden voordat deze onderhoudshandleiding werd geraadpleegd en begrepen is.
- Indien deze waarschuwing niet wordt opgevolgd, zou het onderhoudspersoneel, de operator of een patiënt gewond kunnen raken als gevolg van een elektrische schok, mechanische of andere gevaren.

WARNING

(EN)

- This Service Manual is available in English only.
- If a customer's service provider requires a language other than English, it is the customer's responsibility to provide translation services.
- Do not attempt to service the equipment unless this service manual has been consulted and is understood.
- Failure to heed this warning may result in injury to the service provider, operator, or patient, from electric shock or from mechanical or other hazards.

HOIATUS

(ET)

- Käesolev teenindusjuhend on saadaval ainult inglise keeles.
- Kui klienditeeninduse osutaja nõuab juhendit inglise keelest erinevas keeles, vastutab klient tõlketeenuse osutamise eest.
- Ärge üritage seadmeid teenindada enne eelnevalt käesoleva teenindusjuhendiga tutvumist ja sellest aru saamist.
- Käesoleva hoiatuse eiramine võib põhjustada teenuseosutaja, operaatori või patsiendi vigastamist elektrilöögi, mehaanilise või muu ohu tagajärjel.

VAROITUS

(FI)

- Tämä huolto-ohje on saatavilla vain englanniksi.
- Jos asiakkaan huoltohenkilöstö vaatii muuta kuin englanninkielistä materiaalia, tarvittavan käännöksen hankkiminen on asiakkaan vastuulla.
- Älä yritä korjata laitteistoa ennen kuin olet varmasti lukenut ja ymmärtänyt tämän huolto-ohjeen.
- Mikäli tätä varoitusta ei noudateta, seurauksena voi olla huoltohenkilöstön, laitteiston käyttäjän tai potilaan vahingoittuminen sähköiskun, mekaanisen vian tai muun vaaratilanteen vuoksi.

ATTENTION

(FR)

- Ce manuel de service n'est disponible qu'en anglais.
- Si le technicien du client a besoin de ce manuel dans une autre langue que l'anglais, c'est au client qu'il incombe de le faire traduire.
- Ne pas tenter d'intervenir sur les équipements tant que le manuel service n'a pas été consulté et compris
- Le non-respect de cet avertissement peut entraîner chez le technicien, l'opérateur ou le patient des blessures dues à des dangers électriques, mécaniques ou autres.

WARNUNG

(DE)

- Diese Serviceanleitung existiert nur in Englischer Sprache.
- Falls ein fremder Kundendienst eine andere Sprache benötigt, ist es aufgabe des Kunden für eine Entsprechende Übersetzung zu sorgen.
- Versuchen Sie nicht diese Anlage zu warten, ohne diese Serviceanleitung gelesen und verstanden zu haben.
- Wird diese Warnung nicht beachtet, so kann es zu Verletzungen des Kundendiensttechnikers, des Bedieners oder des Patienten durch Stromschläge, Mechanische oder Sonstige Gefahren kommen.

ΠΡΟΕΙΔΟΠΟΙΗΣΗ

(EL)

- Το παρόν εγχειρίδιο σέρβις διατίθεται στα αγγλικά μόνο.
- Εάν το άτομο παροχής σέρβις ενός πελάτη απαιτεί το παρόν εγχειρίδιο σε γλώσσα εκτός των αγγλικών, αποτελεί ευθύνη του πελάτη να παρέχει υπηρεσίες μετάφρασης.
- Μην επιχειρήσετε την εκτέλεση εργασιών σέρβις στον εξοπλισμό εκτός εάν έχετε συμβουλευτεί και έχετε κατανοήσει το παρόν εγχειρίδιο σέρβις.
- Εάν δε λάβετε υπόψη την προειδοποίηση αυτή, ενδέχεται να προκληθεί τραυματισμός στο άτομο παροχής σέρβις, στο χειριστή ή στον ασθενή από ηλεκτροπληξία, μηχανικούς ή άλλους κινδύνους.

FIGYELMEZTETÉS

(HU)

- Ezen karbantartási kézikönyv kizárólag angol nyelven érhető el.
- Ha a vevő szolgáltatója angoltól eltérő nyelvre tart igényt, akkor a vevő felelőssége a fordítás elkészítése.
- Ne próbálja elkezdni használni a berendezést, amíg a karbantartási kézikönyvben leírtakat nem értelmezték.
- Ezen figyelmeztetés figyelmen kívül hagyása a szolgáltató, működtető vagy a beteg áramütés, mechanikai vagy egyéb veszélyhelyzet miatti sérülését eredményezheti.

AÐVÖRUN

(IS)

- Þessi þjónustuhandbók er eingöngu fáanleg á ensku.
- Ef að þjónustuveitandi viðskiptamanns þarfnast annas tungumáls en ensku, er það skylda viðskiptamanns að skaffa tungumálþjónustu.
- Reynið ekki að afgreiða tækið nema að þessi þjónustuhandbók hefur verið skoðuð og skilin.
- Brot á sinna þessari aðvörun getur leitt til meiðsla á þjónustuveitanda, stjórnanda eða sjúklings frá raflosti, vélrænu eða öðrum áhættum.

AVVERTENZA

(IT)

- Il presente manuale di manutenzione è disponibile soltanto in inglese.
- Se un addetto alla manutenzione richiede il manuale in una lingua diversa, il cliente è tenuto a provvedere direttamente alla traduzione.
- Si proceda alla manutenzione dell'apparecchiatura solo dopo aver consultato il presente manuale ed averne compreso il contenuto
- Il non rispetto della presente avvertenza potrebbe far compiere operazioni da cui derivino lesioni all'addetto, alla manutenzione, all'utilizzatore ed al paziente per folgorazione elettrica, per urti meccanici od altri rischi.

警告

(JA)

- このサービスマニュアルには英語版しかありません。
- サービスを担当される業者が英語以外の言語を要求される場合、翻訳作業はその業者の責任で行うものとさせていただきます。
- このサービスマニュアルを熟読し理解せずに、装置のサービスを行わないでください。
- この警告に従わない場合、サービスを担当される方、操作員あるいは患者さんが、感電や機械的又はその他の危険により負傷する可能性があります。

경고

(KO)

- 본 서비스 지침서는 영어로만 이용하실 수 있습니다 .
- 고객의 서비스 제공자가 영어 이외의 언어를 요구할 경우 , 번역 서비스를 제공하는 것은 고객의 책임입니다 .
- 본 서비스 지침서를 참고했고 이해하지 않는 한은 해당 장비를 수리하려고 시도하지 마십시오 .
- 이 경고에 유의하지 않으면 전기 쇼크 , 기계상의 혹은 다른 위험으로부터 서비스 제공자 , 운영자 혹은 환자에게 위해를 가할 수 있습니다 .

BRDINJUMS

(LV)

- Šī apkalpes rokasgrāmata ir pieejama tikai angļu valodā.
- Ja klienta apkalpes sniedzējam nepieciešama informācija citā valodā, nevis angļu, klienta pienākums ir nodrošināt tulkošanu.
- Neveiciet aprīkojuma apkalpi bez apkalpes rokasgrāmatas izlasīšanas un saprašanas.
- Šī brīdinājuma neievērošana var radīt elektriskās strāvas trieciena, mehānisku vai citu risku izraisītu traumu apkalpes sniedzējam, operatoram vai pacientam.

İSPÉJİMAS

(LT)

- Šis eksploataavimo vadovas yra prieinamas tik anglų kalba.
- Jei kliento paslaugų tiekėjas reikalauja vadovo kita kalba – ne anglų, numatyti vertimo paslaugas yra kliento atsakomybė.
- Nemėginkite atlikti įrangos techninės priežiūros, nebent atsižvelgėte į šį eksploataavimo vadovą ir jį supratote.
- Jei neatkreipsite dėmesio į šį perspėjimą, galimi sužalojimai dėl elektros šoko, mechaninių ar kitų pavojų paslaugų tiekėjui, operatoriui ar pacientui.

ADVARSEL

(NO)

- Denne servicehåndboken finnes bare på engelsk.
- Hvis kundens serviceleverandør trenger et annet språk, er det kundens ansvar å sørge for oversettelse.
- Ikke forsøk å reparere utstyret uten at denne servicehåndboken er lest og forstått.
- Manglende hensyn til denne advarselen kan føre til at serviceleverandøren, operatøren eller pasienten skades på grunn av elektrisk støt, mekaniske eller andre farer.

OSTRZEŻENIE

(PL)

- Niniejszy podręcznik serwisowy dostępny jest jedynie w języku angielskim.
- Jeśli dostawca usług klienta wymaga języka innego niż angielski, zapewnienie usługi tłumaczenia jest obowiązkiem klienta.
- Nie próbować serwisować wyposażenia bez zapoznania się i zrozumienia niniejszego podręcznika serwisowego.
- Niezastosowanie się do tego ostrzeżenia może spowodować urazy dostawcy usług, operatora lub pacjenta w wyniku porażenia elektrycznego, zagrożenia mechanicznego bądź innego.

ATENÇÃO

(PT-BR)

- Este manual de assistência técnica só se encontra disponível em inglês.
- Se qualquer outro serviço de assistência técnica, que não a gems, solicitar estes manuais noutro idioma, é da responsabilidade do cliente fornecer os serviços de tradução.
- Não tente reparar o equipamento sem ter consultado e compreendido este manual de assistência técnica.
- O não cumprimento deste aviso pode por em perigo a segurança do técnico, operador ou paciente devido a choques elétricos, mecânicos ou outros.

ATENÇÃO

(PT-PT)

- Este manual de assistência técnica só se encontra disponível em inglês.
- Se qualquer outro serviço de assistência técnica, que não a gems, solicitar estes manuais noutro idioma, é da responsabilidade do cliente fornecer os serviços de tradução.
- Não tente reparar o equipamento sem ter consultado e compreendido este manual de assistência técnica.
- O não cumprimento deste aviso pode colocar em perigo a segurança do técnico, do operador ou do paciente devido a choques eléctricos, mecânicos ou outros.

ATENȚIE

(RO)

- Acest manual de service este disponibil numai în limba engleză.
- Dacă un furnizor de servicii pentru clienți necesită o altă limbă decât cea engleză, este de datoria clientului să furnizeze o traducere.
- Nu încercați să reparați echipamentul decât ulterior consultării și înțelegerii acestui manual de service.
- Ignorarea acestui avertisment ar putea duce la rănirea depanatorului, operatorului sau pacientului în urma pericolelor de electrocutare, mecanice sau de altă natură.

ОСТОРОЖНО!

(RU)

- Данное руководство по обслуживанию предлагается только на английском языке.
- Если сервисному персоналу клиента необходимо руководство не на английском, а на каком-то другом языке, клиенту следует самостоятельно обеспечить перевод.
- Перед обслуживанием оборудования обязательно обратитесь к данному руководству и поймите изложенные в нем сведения.
- Несоблюдение требований данного предупреждения может привести к тому, что специалист по обслуживанию, оператор или пациент получат удар электрическим током, механическую травму или другое повреждение.

UPOZORENJE

(SR)

- Ovo servisno uputstvo je dostupno samo na engleskom jeziku.
- Ako klijentov serviser zahteva neki drugi jezik, klijent je dužan da obezbedi prevodilacke usluge.
- Ne pokušavajte da opravite uređaj ako niste pročitali i razumeli ovo servisno uputstvo.
- Zanemarivanje ovog upozorenja može dovesti do povređivanja serviser, rukovaoca ili pacijenta usled strujnog udara ili mehanickih i drugih opasnosti.

UPOZORNENIE

(SK)

- Tento návod na obsluhu je k dispozícii len v angličtine.
- Ak zákazník poskytovateľ služieb vyžaduje iný jazyk ako angličtinu, poskytnutie prekladateľských služieb je zodpovednosťou zákazníka.
- Nepokúšajte sa o obsluhu zariadenia skôr, ako si neprečítate návod na obsluhu a neporozumiete mu.
- Zanedbanie tohto upozornenia môže vyústiť do zranenia poskytovateľa služieb, obsluhujúcej osoby alebo pacienta elektrickým prúdom, do mechanického alebo iného nebezpečenstva.

ATENCION

(ES)

- Este manual de servicio sólo existe en inglés.
- Si el encargado de mantenimiento de un cliente necesita un idioma que no sea el inglés, el cliente deberá encargarse de la traducción del manual.
- No se deberá dar servicio técnico al equipo, sin haber consultado y comprendido este manual de servicio.
- La no observancia del presente aviso puede dar lugar a que el proveedor de servicios, el operador o el paciente sufran lesiones provocadas por causas eléctricas, mecánicas o de otra naturaleza.

VARNING

(SV)

- Den här servicehandboken finns bara tillgänglig på engelska.
- Om en kunds servicetekniker har behov av ett annat språk än engelska ansvarar kunden för att tillhandahålla översättningstjänster.
- Försök inte utföra service på utrustningen om du inte har läst och förstår den här servicehandboken.
- Om du inte tar hänsyn till den här varningen kan det resultera i skador på serviceteknikern, operatören eller patienten till följd av elektriska stötar, mekaniska faror eller andra faror.

DIKKAT

(TR)

- Bu servis kilavuzunun sadece ingilizcesi mevcuttur.
- Eğer müşteri teknisyeni bu kilavuzu ingilizce dışında bir başka lisandan talep ederse, bunu tercüme ettirmek müşteriye düşer.
- Servis kilavuzunu okuyup anlamadan ekipmanlara müdahale etmeyiniz.
- Bu uyarıya uyulmaması, elektrik, mekanik veya diğer tehlikelerden dolayı teknisyen, operatör veya hastanın yaralanmasına yol açabilir.

DAMAGE IN TRANSPORTATION

All packages should be closely examined at time of delivery. If damage is apparent, have notation "damage in shipment" written on all copies of the freight or express bill before delivery is accepted or "signed for" by a General Electric representative or a hospital receiving agent. Whether noted or concealed, damage MUST be reported to the carrier immediately upon discovery, or in any event, within 14 days after receipt, and the contents and containers held for inspection by the carrier. A transportation company will not pay a claim for damage if an inspection is not requested within this 14 day period.

To file a report:

- Call 1-800-548-3366 and use option 8.
- Fill out a report on <http://egems.med.ge.com/edq/home.jsp>
- Contact your local service coordinator for more information on this process.

Rev. Jan. 5, 2005

CERTIFIED ELECTRICAL CONTRACTOR STATEMENT

All electrical Installations that are preliminary to positioning of the equipment at the site prepared for the equipment shall be performed by licensed electrical contractors. In addition, electrical feeds into the Power Distribution Unit shall be performed by licensed electrical contractors. Other connections between pieces of electrical equipment, calibrations and testing shall be performed by qualified GE Healthcare personnel. The products involved (and the accompanying electrical installations) are highly sophisticated, and special engineering competence is required. In performing all electrical work on these products, GE will use its own specially trained field engineers. All of GE's electrical work on these products will comply with the requirements of the applicable electrical codes.

The purchaser of GE equipment shall only utilize qualified personnel (i.e., GE's field engineers, personnel of third-party service companies with equivalent training, or licensed electricians) to perform electrical servicing on the equipment.

IMPORTANT...X-RAY PROTECTION

X-ray equipment if not properly used may cause injury. Accordingly, the instructions herein contained should be thoroughly read and understood by everyone who will use the equipment before you attempt to place this equipment in operation. The General Electric Company, Medical Systems Group, will be glad to assist and cooperate in placing this equipment in use.

Although this apparatus incorporates a high degree of protection against x-radiation other than the useful beam, no practical design of equipment can provide complete protection. Nor can any practical design compel the operator to take adequate precautions to prevent the possibility of any persons carelessly exposing themselves or others to radiation.

It is important that anyone having anything to do with x-radiation be properly trained and fully acquainted with the recommendations of the National Council on Radiation Protection and Measurements as published in NCRP Reports available from NCRP Publications, 7910 Woodmont Avenue, Room 1016, Bethesda, Maryland 20814, and of the International Commission on Radiation Protection, and take adequate steps to protect against injury.

The equipment is sold with the understanding that the General Electric Company, Medical Systems Group, its agents, and representatives have no responsibility for injury or damage which may result from improper use of the equipment.

Various protective materials and devices are available. It is urged that such materials or devices be used.

LITHIUM BATTERY CAUTIONARY STATEMENT

CAUTION



Risk of Explosion.

Danger of explosion if battery is incorrectly replaced.

Replace only with the same or equivalent type recommended by the manufacturer. Discard used batteries according to the manufacturer's instructions.

ATTENTION



Danger d'Explosion

Il y a danger d'explosion s'il y a un remplacement incorrect de la batterie.

Remplacer uniquement avec une batterie du même type ou d'un type recommandé par le constructeur. Mettre au rebut les batteries usagées conformément aux instructions du fabricant.

OMISSIONS & ERRORS

Customers, please contact your GE Sales or Service representatives.

GE personnel, please use the GE Healthcare PQR Process to report all omissions, errors, and defects in this publication.

Revision History

Revision	Date	Reason for change
0	10/01/00	Initial Release
1	01/08/01	Updated drawings & BOMs
2	02/26/01	Added Second Console Chapter to reflect systems with SCSI Upgrade & Pegasus IG Upgrade. Updated various Gantry & Table BOMs and drawings.
3	04/19/01	Added Effectivity Statement; Reordered chapters to match product structure; Added Introduction, including System Level Matrix; Updated various BOMs; Added drawings, including: (Table) Power Assembly (46-296791G2) Gantry Base Covers (2290278) Gantry Top Cover Kits (2292881 & 2292882) Updated drawings, including: Gantry (2260619) Collimator with Plate (2214768-2) Collimator (2120100-2) OBC Chassis Assembly (2232299) Slipring Assembly (2253861) Tilt Pot Assembly (2178677) Rear Base Covers, LH & RH (2275686 & 2275685)
4	10/09/01	Added drawings and BOMs for Octane2 configured Console. Added Mobile information, including "pogo stick" (for table) and LCD monitor. Added new disk drive and CD-ROM drive.
5	10/24/01	CQA 1015249: Added "K78 Filament Relay" to Table 4-32 OBC Assembly (2231831 BOM, rev 8). CQA 1016271: Added Items 2161307 & 2161306 to Table 4-25 H2 Rotating Base Assembly (2260618 BOM, rev 15). Updated drawings and BOMs for Octane2 configured Console.

Revision	Date	Reason for change
6	02/18/02	Updated Tilting Frame BOM to reflect new Intercom Bd. Updated drawing 2273016. Added other language SCIMs & Keyboards to "Section 5.0 — Keyboard w/SCIM, Collectors" in Chapter 6. Added new Sony MOD P/N to Table 6-4 and Table 6-5 in Chapter 6.
7	04/22/02	Updated BOMs throughout manual to reflect change in FRU strategy. Chapter 2: Added LCC Table information. Chapter 4: Updated drawings to current revisions (as of 04/10/02) Added Section 12.0 — Phantoms (2180544) Added Section 13.0 — Gantry Service Items & Kits Added Section 14.0 — Cable Kits & Raceway Cover Added Section 16.0 — Gantry Cover Dollies. Chapter 6: Updated drawings to current revisions (as of 04/16/02) Added Section 1.9 Replacement Hardware (2214280)
8	11/21/02	CQA 10211289: Added P/N for Magnet Rod to Table 2-17 and Table 2-29. CQA 10211290: Added P/N for Field Kit for Actuator Cover Roller to Table 2-2 and Table 2-18. CQA 10211741: Changed FRU code for Laser Window in Table 4-65 & Table 4-66. Chapter 2: Updated various FRU codes. Chapter 4: Updated BOM and drawing for 2217930 (Axial Drive Assembly) Corrected part number for System Hardware Kit Added Hoist P/Ns to Section 13.0 — Gantry Service Items & Kits
9	05/09/03	Changed title to "LightSpeed 2.X Illustrated Parts List" General Updates (BOMs and Drawings) Chapter 4: Changed FRU codes for DAS convertor cards Updated Associated Items (AILs) for DAS & Detector components

Revision	Date	Reason for change
10	01/22/04	Chapter 2: Updated BOM & Drawings for Table Assembly - LCC (2269165) Chapter 4: Changed Performix Tube FRU Code to "1" Updated drawings: 2260619, 2260618, 2273645, 2214768, 2120100, 2227967 Chapter 6: Updated drawings: 2266832
11	06/08/04	Chapter 4: Corrected FRU Codes on H2 Rotating Base Assembly. New P/N for X-Ray Tube. Removed n/a section (Tube Plate Assy)
12	11/08/05	Added Cross-References to: <ul style="list-style-type: none"> • GOC3 IPL (2394950-100) • GOC4 IPL (5134893-100) Updated manual with new branding information (GE Healthcare). Updated to new IPL formatting standards.
13	02/13/09	Updated Important Precautions: replaced language section with new information; updated URL for reporting damage in transportation; added additional Lithium Battery Caution Statement. PQR13201982: Updated BOM 2272939 to Rev 8, BOM 2273016 to Rev. 5, Added BOM 2361871 Rev. 3 and 2361871ADW Rev. 2.

End of Revision History.

Table of Contents

Chapter 1

System Matrices & Manual Conventions	35
Section 1.0 — Page Layout, Including Finger Tabs	35
Section 2.0 — Manual Organization.....	35
Section 3.0 — System Matrices.....	36
3.1 LightSpeed Plus System Matrix.....	36
System Catalog Tree.....	36
3.2 Table Sub-System Matrix.....	37
Table BOM Tree.....	37
3.3 Gantry Sub-System Matrix	38
Gantry BOM Tree	38
3.4 Console Sub-System Matrices.....	39
3.4.1 – Console w/o PEG-IG.....	39
Console w/o PEG-IG BOM Tree	39
3.4.2 – Console w/SCSI, PEG-IG Upgrades.....	40
Console w/ PEG-IG BOM Tree	40
3.4.3 – GRE Xtream Console (GOC3 or GOC4).....	41

Chapter 2

Table.....	43
Table BOM Tree.....	44
Table w/ Footswitch (2276776-2 BOM, rev 2).....	45
Section 1.0 — Table Assembly - LCC (2269165).....	46
Table Assembly - LCC (2269165, sheet 1, rev 4)	46
Table Assembly - LCC (2269165, sheet 2, rev 4)	47
Table Assembly - LCC (2269165, sheet 3, rev 0)	48
Table Assembly - LCC (2269165 BOM, rev 13).....	49
1.1 Side Panel Kit (2269167-2).....	54
Side Panel Kit (2269167-2 BOM, rev 0).....	54

1.2	Right Base Cover Assembly (2271244)	56
	Right Base Cover Assembly (2271244, sheet 1, rev1)	56
	Right Base Cover Assembly (2271244 BOM, rev 3)	57
1.3	Left Base Cover Assembly (2271247)	58
	Left Base Cover Assembly (2271247, sheet 1, rev 1).....	58
	Left Base Cover Assembly (2271247 BOM, rev 3)	59
1.4	Cover Table Top Left (2372371)	60
	Cover Table Top Left (2372371, sheet 1, rev 1)	60
	Cover Table Top Left (2372371 BOM, rev 1)	61
1.5	Cover Table Top Right (2372372)	62
	Cover Table Top Right (2372372, sheet 1, rev 1)	62
	Cover Table Top Left (2372372 BOM, rev 1)	63
1.6	Metalless Cradle (2115992-2)	64
	Metalless Cradle (2115992-2 BOM, rev 0)	64
1.7	Table Subassembly (2269166)	66
	Table Subassembly (2269166, sheet 1, rev 0).....	66
	Table Subassembly (2269166, sheet 2, rev 0).....	67
	Table Subassembly (2269166, sheet 3, rev 0).....	68
	Table Subassembly (2269166, sheet 4, rev 0).....	69
	Table Subassembly (2269166 BOM, rev 2)	70
	1.7.1 – Carriage Assembly (2269168)	72
	Carriage Assembly (2269168, sheet 1, rev 1).....	72
	Carriage Assembly (2269168 BOM, rev 1)	73
	1.7.2 – Latch Assembly (2269177)	74
	Latch Assembly (2269177, sheet 1, rev 0).....	74
	Latch Assembly (2269177 BOM, rev 0)	75
	1.7.3 – Cradle Drive Assembly (2269169)	76
	Cradle Drive Assembly (2269169 sheet 1, rev 0).....	76
	Cradle Drive Assembly (2269169 sheet 1, rev 0).....	77
	Cradle Drive Assembly (2269169 BOM, rev 2)	78
	1.7.4 – Longitudinal Encoder Asm (2269175)	82
	Longitudinal Encoder Asm (2269175, sheet 1, rev 0)	82
	Longitudinal Encoder Asm (2269175, sheet 2, rev 0)	83
	Longitudinal Encoder Asm (2269175 BOM, rev 1).....	84

1.7.5 – Servo Assembly (46-297059G1)	86
Servo Assembly (46-297059, sheet 1, rev 2)	86
Servo Assembly (46-297059G1 BOM, rev 3)	87
1.7.6 – Power Supply Assembly (2269172)	88
Power Supply Assembly (2269172, sheet 1, rev 0)	88
Power Supply Assembly (2269172, sheet 2, rev 0)	89
Power Supply Assembly (2269172 BOM, rev 0)	90
1.7.7 – Elevation Encoder Assembly (2269173)	92
Elevation Encoder Assembly (2269173, sheet 1, rev 1)	92
Elevation Encoder Assembly (2269173, sheet 2, rev 1)	93
Elevation Encoder Assembly (2269173 BOM, rev 1)	94
1.7.8 – Frame Assembly (2269174)	96
Frame Assembly (2269174, sheet 1, rev 0)	96
Frame Assembly (2269174, sheet 2, rev 0)	97
Frame Assembly (2269174, sheet 3, rev 0)	98
Frame Assembly (2269174, sheet 4, rev 0)	99
Frame Assembly (2269174, sheet 5, rev 0)	100
Frame Assembly (2269174 BOM, rev 4)	101
Section 2.0 — Table Assembly (2271242)	106
Table Assembly (2271242, sheet 1, rev 1).....	106
Table Assembly (2271242, sheet 2, rev 1).....	107
Table Assembly (2271242, sheet 3, rev 0).....	108
Table Assembly (2271242 BOM, rev 5)	109
2.1 Side Panel Kit (2169596-2)	114
Side Panel Kit (2169596-2 BOM, rev 1)	114
2.2 Cover Assembly Table Top - Left (2236720)	116
Cover Assembly Table Top - Left (2236720, sheet 1, rev 0).....	116
Cover Assembly Table Top - Left (2236720 BOM, rev 2)	117
2.3 Cover Assembly Table Top - Right (2236720-2)	118
Cover Assembly Table Top - Right (2236720-2, sheet 1, rev 0)	118
Cover Assembly Table Top - Right (2236720-2 BOM, rev 2).....	119
2.4 Subassembly For H2 HCC Cathay Table (2271241)	120
Subassembly For H2 HCC Cathay Table (2271241, sheet 1, rev 1).....	120
Subassembly For H2 HCC Cathay Table (2271241, sheet 2, rev 1).....	121
Subassembly For H2 HCC Cathay Table (2271241, sheet 3, rev 1).....	122

Subassembly For H2 HCC Cathay Table (2271241, sheet 4, rev 1).....	123
Subassembly For H2 HCC Cathay Table (2271241 BOM, rev 3)	124
2.4.1 – 3 Point Carriage Assembly (2137940)	126
3 Point Carriage Assembly (2137940, sheet 1, rev 2).....	126
3 Point Carriage Assembly (2137940 BOM, rev 3)	127
2.4.2 – Latch Assembly (46-296233G2)	128
Latch Assembly (46-296233, sheet 1, rev 1).....	128
Latch Assembly (46-296233G2 BOM, rev 2)	129
2.4.3 – Zeus Table, w/Hiawatha (46-296235G2).....	130
Zeus Table, w/Hiawatha (46-296235, sheet 1, rev 9)	130
Zeus Table, w/Hiawatha (46-296235, sheet 2, rev 9)	131
Zeus Table, w/Hiawatha (46-296235G2 BOM, rev 6)	132
2.4.4 – Table Encoder Assembly (46-296234G1)	134
Table Encoder Assembly (46-296234, sheet 1, rev 6)	134
Table Encoder Assembly (46-296234, sheet 2, rev 2)	135
Table Encoder Assembly (46-296234G1 BOM, rev 9).....	136
2.4.5 – Power Assembly (46-296791G2)	138
Power Assembly (46-296791, sheet 1, rev 8)	138
Power Assembly (46-296791, sheet 2, rev 8)	139
Power Assembly (46-296791G2 BOM, rev 2)	140
2.4.6 – Elevation Encoder Assembly (46-296633G3).....	142
Elevation Encoder Assembly (46-296633G3, sheet 1, rev 8)	142
Elevation Encoder Assembly (46-296633G3, sheet 2, rev 8)	143
Elevation Encoder Assembly (46-296633G3 BOM, rev 2)	144
2.4.7 – Table Frame Assembly (2271240).....	146
Frame Assembly, Table (2271240, sheet 1, rev 1)	146
Frame Assembly, Table (2271240, sheet 2, rev 0)	147
Frame Assembly, Table (2271240, sheet 3, rev 1)	148
Frame Assembly, Table (2271240, sheet 4, rev 1)	149
Frame Assembly, Table (2271240, sheet 5, rev 0)	150
Frame Assembly (2271240 BOM, rev 6).....	151
Section 3.0 — Footswitch Assembly (2330508).....	156
Footswitch Assembly (2330508 sheet 1, rev 2)	156
Footswitch Assembly (2330508 BOM, rev 5)	157

Section 4.0 — Foot Switch Cover Asm (46-296790G3)	158
Foot Switch Cover Assembly (46-296790, sheet 1, rev 7)	158
Foot Switch Cover Assembly (46-296790G3 BOM, rev 1)	159
Chapter 3	
Compact PDU	161
Compact PDU (2269902, front view)	162
Compact PDU (2269902, rear view)	163
Compact PDU (2269902)	164
Chapter 4	
Gantry	165
Gantry BOM Tree	166
Gantry (2260619, sheet 1, rev 14)	167
Gantry (2260619, sheet 2, rev 11)	168
Gantry (2260619, sheet 3, rev 10)	169
Gantry (2260619, sheet 4, rev 14)	170
Gantry (2260619, sheet 5, rev 12)	171
Gantry (2260619, sheet 6, rev 10)	172
Helios 2 Gantry (2260619 BOM, rev 12)	173
Section 1.0 — Stationary Base Assembly (2260616)	176
Stationary Base Assembly (2260616, sheet 1, rev 6)	176
Stationary Base Assembly (2260616, sheet 2, rev 6)	177
Stationary Base Assembly (2260616, sheet 3, rev 5)	178
Stationary Base Assembly (2260616 BOM, rev 10)	179
1.1 STC Assembly (2266927)	182
STC Assembly (2266927, sheet 1, rev 3)	182
STC Assembly (2266927 BOM, rev 6)	183
1.2 Hydraulic Tilt Motor Assembly (2219018)	184
Hydraulic Tilt Motor Assembly (2219018, sheet 1, rev 2)	184
Hydraulic Tilt Motor Assembly (2219018, sheet 2, rev 2)	185
Hydraulic Tilt Motor Assembly (2219018, sheet 3, rev 2)	186
Hydraulic Tilt Motor Assembly (2219018 BOM, rev 4)	187

	<i>Hydraulic Tilt Parts (2225778)</i>	188
	Collector Hydraulic Tilt Parts (2225778 BOM, rev 0).....	188
	<i>Hydraulic Pump (2262276)</i>	190
	Hydraulic Pump (2262276, sheet 1, rev 0).....	190
	Tilt (2262276 BOM, rev 1)	191
1.3	E-Stop Assembly (2266187)	192
	E-Stop Assembly (2266187, sheet 1, rev 0).....	192
	E-Stop Assembly (2266187 BOM, rev 2)	193
1.4	Power Pan (2275608, -3)	194
	Power Pan (2275608, sheet 1, rev 4).....	194
	Power Pan (2275608, sheet 2, rev 4).....	195
	Power Pan (2275608, -3 BOM, rev 6, 7)	196
	Section 2.0 — Tilting Frame (2260617)	198
	Tilting Frame (2260617, sheet 1, rev 17)	198
	Tilting Frame (2260617, sheet 2, rev 17)	199
	H2 Tilting Frame (2260617 BOM, rev 23)	200
2.1	Indexer/Rotating Lock Assembly (2181221)	204
	Indexer/Rotating Lock Assembly (2181221, sheet 1, rev 0).....	204
	Indexer/Rotating Lock Assembly (2181221 BOM, rev 0)	205
2.2	Home Flag Assembly (2227378)	206
	Home Flag Assembly (2227378, sheet 1, rev 0)	206
	Home Flag (2227378 BOM, rev 1)	207
	<i>PWB Mounting Assembly (2227383)</i>	208
	PWB Mounting Assembly (2227383, sheet 1, rev 1).....	208
	PWB Mounting Assembly (2227383 BOM, rev 3)	209
2.3	Gantry Fan Assy - RH (2315618)	210
	Gantry Fan Assembly - RH (2315618, sheet 1, rev 1)	210
	Fan Assembly - Gantry, H3 RH (2315618 BOM, rev 1)	211
2.4	Cooling Fan Assembly - Right (2236719-2)	212
	Cooling Fan Assembly - Right (2236719-2, sheet 1, rev 3)	212
	Cooling Fan Gantry—Right (2236719-2 BOM, rev 2)	213
2.5	Motor Mount/Belt Tensioner (2217928-2)	214
	Motor Mount/Belt Tensioner (2217928, sheet 1, rev 1)	214
	Motor Mount/Belt Tensioner (2217928-2 BOM, rev 3)	215

2.6	Axial Dynamic Braking Module (2266934-2)	216
	Axial Dynamic Braking Module (2266934, sheet 1, rev 3)	216
	Axial Dynamic Braking Module (2266934, sheet 2, rev 1)	217
	Axial Dynamic Brake Module, w/cvr mnt hls (2266934-2 BOM, rev 3).....	218
2.7	Gantry Fan Assy - LH (2315619)	220
	Gantry Fan Assembly - LH (2315619, sheet 1, rev 2).....	220
	Fan Assembly - Gantry, H3 LH (2315619 BOM, rev 1)	221
2.8	Cooling Fan Assembly - Left (2236719)	222
	Cooling Fan Assembly - Left (2236719, sheet 1, rev 4)	222
	Cooling Fan Gantry - Left (2236719 BOM, rev 1)	223
2.9	Drive Assembly, Axial (2217930)	224
	Drive Assembly, Axial (2217930, sheet 1, rev 3)	224
	Drive Assembly, Axial (2217930, sheet 2, rev 2)	225
	Drive Assembly, Axial (2217930 BOM, rev 6)	226
	2.9.1 – Axial Drive Brake Assembly (2277225)	228
	Axial Drive Brake Assembly (2277225, sheet 1, rev 0)	228
	Brake Assy, H2 Ax Drive Motor (2277225 BOM, rev 2)	229
	2.9.2 – Axial Drive Controller Assembly (2233402)	230
	Axial Drive Controller Asm (2233402, sheet 1, rev 1)	230
	Axial Drive Controller Asm (2233402, sheet 2, rev 1)	231
	AX Drive Mtr Controller w/Corers Assy (2233402 BOM, rev 2).....	232
2.10	Encoder Assy w/Pivot (2328307)	234
	Encoder Assembly w/Pivot (2328307, sheet 1, rev 1).....	234
	Encoder Mount Assembly (2328307 BOM, rev 3)	235
2.11	Brace Assembly, Upper (2273029)	236
	Brace Assembly, Upper (2273029, sheet 1, rev 1)	236
	Brace, Gantry Cover Upper (2273029 BOM, rev 0)	237
2.12	Brace Assembly, Lower (2273030)	238
	Brace Assembly, Lower (2273030, sheet 1, rev 1)	238
	Brace, Gantry Cover Lower (2273030 BOM, rev 0)	239
	Section 3.0 — H2 Rotating Base Assembly (2260618)	240
	H2 Rotating Base Assembly (2260618, sheet 1, rev 7)	240
	H2 Rotating Base Assembly (2260618, sheet 2, rev 4)	241
	H2 Rotating Base Assembly (2260618, sheet 3, rev 1)	242

	H2 Rotating Base Assembly (2260618, sheet 4, rev 5)	243
	H2 Rotating Base Assembly (2260618, sheet 5, rev 0)	244
	H2 Rotating Base Assembly (2260618 BOM, rev 15)	245
3.1	Collimator - H3 (2214768-3)	248
	Collimator (2214768, sheet 3, rev 4)	248
	Collimator (2214768-3 BOM, rev 0)	249
	3.1.1 – Collimator - H3 (2120100-3)	250
	Collimator (2120100, sheet 5, rev 8)	250
	Collimator (2120100, sheet 6, rev 8)	251
	Collimator (2120100-3 BOM, rev 5)	252
	<i>3.1.1.1 – Collimator Base Asm (2273645, -2)</i>	<i>254</i>
	Collimator Base Asm (2273645, sheet 1, rev 2).....	254
	Collimator Base Asm (2273645, sheet 2, rev 0).....	255
	Collimator Base Asm (2273645-2 BOM, rev 3)	256
	Collimator Base Asm (2273645 BOM, rev 2)	257
3.2	Collimator - H2 (2214768-2)	258
	Collimator (2214768, sheet 2, rev 4)	258
	Collimator (2214768-2 BOM, rev 0)	259
	3.2.1 – Collimator - H2 (2120100-2)	260
	Collimator (2120100, sheet 3, rev 8)	260
	Collimator (2120100, sheet 4, rev 8)	261
	Collimator (2120100-2 BOM, rev 4)	262
3.3	OBC Assembly (2231831)	264
	OBC Assembly (2231831, sheet 1, rev 1).....	264
	OBC Assembly (2231831 BOM, rev 8)	265
	3.3.1 – OBC Chassis Assembly (2232299)	268
	OBC Chassis Assembly (2232299, sheet 1, rev 3)	268
	OBC Chassis Assembly (2232299 BOM, rev 4).....	269
3.4	HEMRC Assembly (2208043).....	270
	HEMRC Assembly (2208043, sheet 1, rev 4)	270
	HEMRC Assembly (2208043, sheet 2, rev 1)	271
	HEMRC Assembly (2208043, sheet 3, rev 1)	272
	HEMRC Assembly (2208043 BOM, rev 5)	273
3.5	Detector Plate Assembly (2227967).....	276
	Detector Plate Assembly (2227967, sheet 1, rev 1).....	276

	Detector Plate Assembly (2227967 BOM, rev 3)	277
	3.5.1 – SDAS Assembly (2228214)	278
	SDAS Assembly (2228214, sheet 1, rev 2)	278
	SDAS Collector Asm (2228214 BOM, rev 5).....	279
	<i>3.5.1.1 – SDAS Left Chassis Asm (2177901)</i>	<i>280</i>
	SDAS Left Chassis Asm (2177901, sheet 1, rev 5)	280
	SDAS Left Chassis Asm (2177901 BOM, rev 4)	281
	<i>3.5.1.2 – SDAS Center Chassis Asm (2177903)</i>	<i>282</i>
	SDAS Center Chassis Asm (2177903, sheet 1, rev 5).....	282
	SDAS Center Chassis Asm (2177903 BOM, rev 2)	283
	<i>3.5.1.3 – SDAS Right Chassis Asm (2177904).....</i>	<i>284</i>
	SDAS Right Chassis Asm (2177904, sheet 1, rev 5)	284
	SDAS Right Chassis Asm (2177904 BOM, rev 3).....	285
	<i>3.5.1.4 – DCB Housing ASM (2225218)</i>	<i>286</i>
	DCB Housing Asm (2225218, sheet 1, rev 1)	286
	DCB Housing Asm (2225218 BOM, rev 2).....	287
	3.5.2 – Detector Assembly - G4S (2281880)	288
	Detector Assembly - G4S (2281880, sheet 1, rev 1).....	288
	G4S Detector Assembly (2281880 BOM, rev 05)	289
	3.5.3 – Detector Assembly (2258844)	290
	Detector Assembly (2258844, sheet 1, rev 0)	290
	Detector Assembly (2258844 BOM, rev 3).....	291
	3.5.4 – Detector Assembly (2146718)	292
	Detector Assembly (2146718, sheet 1, rev 1)	292
	Detector Assembly (2146718 BOM, rev 4).....	293
	3.5.5 – DAS Duct Fan/Filter Asm (2252888-2)	294
	DAS Duct Fan/Filter Asm (2252888, sheet 1, rev 2)	294
	DAS Duct Fan/Filter Asm (2252888-2 BOM, rev 2)	295
3.6	Power Supply - CC Case (2225214)	296
	Power Supply - CC Case (2225214, sheet 1, rev 1)	296
	Power Supply Asm - CC Case (2225214 BOM, rev 2).....	297
3.7	Fuse Box/Switch Box Asm (2226506).....	298
	Fuse Box/Switch Box Asm (2226506, sheet 1, rev 1)	298
	Fuse Box/Switch Box Asm (2226506, sheet 2, rev 1)	299
	Fuse Box Switch Box (2226506 BOM, rev 3).....	300

	3.7.1 – Harness (2275956)	302
	Harness (2275956, sheet 1, rev 1).....	302
	Harness (2275956 BOM, rev 2)	303
3.8	Pwr Supply Assembly, Right Side (2225209)	304
	Pwr Supply Assembly, Right Side (2225209, sheet 1, rev 2).....	304
	DAS Power Supply Right Side (2225209 BOM, rev 2).....	305
	3.8.1 – Power Supply Asm. E Case (2225217)	306
	Power Supply Asm. E Case (2225217, sheet 1, rev 0).....	306
	Power Supply Asm E-Case (2225217 BOM, rev 1)	307
	3.8.2 – Power Supply Asm, 24V F-Case (2225212-4)	308
	Power Supply Asm F-Case (2225212-3, sheet 1, rev 1).....	308
	Power Supply Asm, 24V F-Case (2225212-4 BOM, rev 1)	309
3.9	Pwr Supply Assembly, Left (DCB) Side (2225209-2)	310
	Pwr Supply Assembly, Left (DCB) Side (2225209, sheet 1, rev 2)	310
	Pwr Supply Assembly, Left (DCB) Side (2225209-2 BOM, rev 2).....	311
	3.9.1 – Power Supply 5VDC Asm, F-Case (2225212-3)	312
	Power Supply Asm F-Case (2225212-3, sheet 1, rev 1).....	312
	Power Supply 5VDC Asm, F-Case (2225212-3 BOM, rev 1)	313
3.10	OBC Interconnect - Right (2240779)	314
	OBC Interconnect - Right (2240779, sheet 1, rev 1)	314
	OBC Interconnect - Right (2240779 BOM, rev 1).....	315
3.11	OBC Interconnect - Left (2253952)	316
	OBC Interconnect - Left (2253952, sheet 1, rev 1)	316
	OBC Interconnect - Left (2253952 BOM, rev 3)	317
	Section 4.0 — Slipring Assembly (2253861)	318
	Slipring Assembly (2253861, sheet 1, rev 2).....	318
	Slipring Assembly (2253861, sheet 2, rev 0).....	319
	Slipring Assembly (2253861 BOM, rev 6)	320
4.1	Global Slipring Assembly (2240264)	322
	Global Slipring Assembly (2240264, sheet 1, rev 3)	322
	Global Platter HSDCD Slipring_System (2240264 BOM, rev 2)	323
	4.1.1 – Receiver/Antenna Assembly (2240268)	324
	Receiver/Antenna Assembly (2240268, sheet 1, rev 0)	324
	Receiver/Antenna Assembly (2240268 BOM, rev 2).....	325

4.1.2 – Brushblock Assembly (2240267)	326
Brushblock Assembly (2240267, sheet 1, rev 1)	326
Brushblock Assembly (2240267 BOM, rev 1)	327
4.1.2.1 – Power Brush Tip Set (2245479)	327
Power Brush Tip Set (2245479 BOM, rev 1)	327
4.1.2.2 – Signal Brush Tip Set (2245480)	327
Signal Brush Tip Set (2245480 BOM, rev 1)	327
4.1.3 – Slipping Assembly (2240266)	328
Slipping Assembly (2240266, sheet 1, rev 0).....	328
Slipping Assy, HSDCD Platter (2240266 BOM, rev 1)	329
Section 5.0 — S/R Cover Collector (2282516)	330
S/R Cover Collector (2282516 BOM, rev 0)	330
Section 6.0 — Gantry Scan Window Assy (2101967-4)	331
Scan Win Assy - H2 Gantry (2101967-4 BOM, rev 0)	331
Section 7.0 — Cover Assy - Front (2272939)	332
Cover Assembly - Front Gantry (2272939, sheet 1, rev 2).....	332
Cover Assembly - Front Gantry (2272939 BOM, rev 8)	333
7.1 Cover Sub Assy, Front (2273017)	334
Cover Sub Assembly, Gantry Front (2273017, sheet 1, rev 6)	334
Cover Sub Assembly, Gantry Front (2273017, sheet 2, rev 5)	335
Cover Sub Assembly, Gantry Front (2273017 BOM, rev 7)	336
7.2 Cover Sub Assy, Gantry Front - FRP (2291365)	338
Cover Sub Assy, Gantry Front - FRP (2291365, sheet 1, rev 1).....	338
Cover Sub Assy, Gantry Front - FRP (2291365, sheet 2, rev 0).....	339
Cover Sub-Assy, Gantry Front - FRP (2291365 BOM, rev 2)	340
7.3 Mic Assembly (2111955)	342
Mic Assembly (2111955 BOM, rev 0).....	342
7.4 Patient Sensor (2277405)	344
Front Sensor Tilt Assembly (2277405, sheet 1, rev 0)	344
Patient Sensor, Small (2277405 BOM, rev 0)	345
Section 8.0 — Cover Assy - Rear (2273016)	346
Cover Assembly, Rear Gantry (2273016 sheet 1, rev 3)	346
Cover Assy, Rear Gantry (2273016 BOM, rev 5).....	347

8.1	Cover Sub Assembly, Rear Gantry (2273018)	348
	Cover Sub Assembly, Rear Gantry (2273018, sheet 1, rev 5)	348
	Cover Sub Assembly, Rear Gantry (2273018, sheet 2, rev 3)	349
	Cover Sub Assembly, Rear Gantry (2273018 BOM, rev 6).....	350
8.2	Cover Sub Assy, Rear Gantry - FRP (2291369)	352
	Cover Sub Assy, Rear Gantry - FRP (2291369, sheet 1, rev 0)	352
	Cover Sub-Assy, Rear Gantry - FRP (2291369 BOM, rev 3)	353
8.3	COVER SUB-ASSY, FRONT GANTRY-H4 (2361871)	354
	Cover Sub Assembly, Front Gantry-H4 (2361871 sheet 1, Rev 2)	354
	Cover Sub Assembly, Front Gantry-H4 (2361871, sheet 2, rev 2).....	355
	Cover Sub Assembly, Front Gantry-H4 (2361871BOM, Rev 3)	356
8.4	Patient Sensor, Large (2277404)	358
	Patient Sensor, Large (2277404 sheet 1, rev 0)	358
	Patient Sensor, Large (2277404 BOM, rev 0)	359
	Section 9.0 — Gantry Top Covers Kit - RIM (2292881)	360
	Gantry Top Covers Kit - RIM (2292881, sheet 1, rev 1)	360
	Gantry Top Covers Kit - RIM (2292881 BOM, rev 2)	361
9.1	Cover Assy, Top RH (2273013)	362
	Cover Assembly, Top RH (2273013, sheet 1, rev 2).....	362
	Cover Assembly, Gantry Top RH (2273013 BOM, rev 5).....	363
9.2	Cover Assy, Top LH (2273014)	364
	Cover Assembly, Gantry Top LH (2273014, sheet 1, rev 2)	364
	Cover Assembly, Gantry Top LH (2273014 BOM, rev 4)	365
9.3	Cover Assy, Right Side (2276690)	366
	Cover Assembly, Right Side (2276690, sheet 1, rev 2)	366
	Cover Asm, Side Gantry Right (2276690 BOM, rev 3).....	367
9.4	Cover Assy, Left Side (2276691)	368
	Cover Assembly, Left Side (2276691, sheet 1, rev 2)	368
	Cover Asm, Side Gantry Left (2276691 BOM, rev 2)	369
	Section 10.0 — Gantry Top Covers Kit - FRP (2292882)	370
	Gantry Top Covers Kit - FRP (2292882, sheet 1, rev 0)	370
	Gantry Top Covers Kit - FRP (2292882 BOM, rev 1).....	371

10.1	Cover Assy, Top RH - FRP (2290538)	372
	Top Cover Assembly, RH - FRP (2290538, sheet 1, rev 0)	372
	Cover Assy, Top RH - FRP (2290538 BOM, rev 1).....	373
10.2	Cover Assy, Top LH - FRP (2290539)	374
	Top Cover Assembly, LH - FRP (2290539, sheet 1, rev 0)	374
	Cover Assy, Top LH - FRP (2290539 BOM, rev 0)	375
10.3	Cover Assy, Side RH - FRP (2290540)	376
	Side Cover Assembly, RH - FRP (2290540, sheet 1, rev 0)	376
	Cover Assy, Side RH - FRP (2290540 BOM, rev 0).....	377
10.4	Cover Assy, Side LH - FRP (2290541)	378
	Side Cover Assembly, LH - FRP (2290541, sheet 1, rev 0)	378
	Cover Assy, Side LH - FRP (2290541 BOM, rev 1)	379
Section 11.0 — Tilt Pot Assembly (2178677)		380
	Tilt Pot Assembly (2178677, sheet 1, rev 1)	380
	Tilt Pot Assembly (2178677 BOM, rev 4)	381
11.1	Tilt Pot Harness Assy (46-297036G1)	382
	Tilt Pot Harness Assy (46-297036, sheet 1, rev 1).....	382
	Tilt Pot Harness Assy (46-297036G1 BOM, rev 0)	383
11.2	Tilt Switch Assembly Harness (2277131)	384
	Switch Harness Assy (2277131, sheet 1, rev 1)	384
	Switch Harness Assy (2277131, sheet 2, rev 1)	385
	Switch Harness Assy (2277131 BOM, rev 1)	386
Section 12.0 — Phantoms (2180544)		388
	Phantoms (2180544 BOM, rev 0).....	388
Section 13.0 — Gantry Service Items & Kits		388
	Gantry Service Items & Kits	388
13.1	System Electrical Collector (2280874)	389
	Collector, H2 System Electrical (2280874 BOM, rev 0).....	389
13.2	System Hardware Collector (2280873)	390
	Collector, H2 System Hardware (2280873 BOM, rev 1).....	390
Section 14.0 — Cable Kits & Raceway Cover		392
	Cable Kits & Raceway Cover	392

14.1	LightSpeed Plus Long Cable Collector (2281840)	392
	LightSpeed Plus Long Cable Collector (2281840 BOM, rev 0)	392
14.2	LightSpeed Plus Short Cable Collector (2281840-2)	393
	LightSpeed Plus Short Cable Collector (2281840-2 BOM, rev 0)	393
	Section 15.0 — Gantry Base Covers (2290278, -2)	394
	Gantry Base Covers (2290278, sheet 1, rev 2).....	394
	Base Covers Collector H2 Gantry (2290278 BOM, rev 1).....	395
	Base Covers Collector H2 Gantry (2290278-2 BOM, rev 1).....	396
15.1	Cover Assy, Base Rear - LH (2275686, -2)	398
	Cover Assembly, Base Rear - LH (2275686, sheet 1, rev 2)	398
	Cover Assy, Base Rear - LH (2275686 BOM, rev 2).....	399
	Cover Assy, Base Rear - LH (FRP) (2275686-2 BOM, rev 0)	399
15.2	Cover Assy, Base Rear - RH (2275685, -2)	400
	Cover Assembly, Base Rear - RH (2275685, sheet 1, rev 2).....	400
	Cover Assy, Base Rear - RH (2275685 BOM, rev 2)	401
	Cover Assy, Base Rear - RH (2275685-2 BOM, rev 0)	401
	Section 16.0 — Gantry Cover Dollies	402
	Gantry Cover Dollies (rev 03/19/02).....	402

Chapter 5

Console w/o PEG-IG	403
Console w/o PEG-IG BOM Tree	404
Console w/Monitor (B7850NC BOM, rev 1)	405
Section 1.0 — Console Assembly (2266832)	406
Console Assembly (2266832, sheet 1, rev 0)	406
Console Assembly (2266832, sheet 2, rev 0)	407
Console Assembly (2266832, sheet 3, rev 0)	408
Console Assembly (2266832, sheet 4, rev 0)	409
Console Assembly (2266832, sheet 5, rev 0)	410
Console Assembly (2266832, sheet 6, rev 0)	411
Console Assembly (2266832 BOM, rev 2)	412
1.1 Console User Drive Assembly (2174061)	416
Console User Drive Assembly (2174061, sheet 1, rev 3)	416

	Console User Drive Assembly (2174061, sheet 2, rev 3)	417
	Console User Drive Assembly (2174061 BOM, rev 4)	418
1.2	Octane Computer Assembly	420
	Octane Computer Assembly (2205488, sheet 2, rev 5)	420
	Octane Computer Assembly (2205488-2 BOM, rev 8).....	421
	Octane Computer Assembly w/D3D (2205488, sheet 3, rev 7)	422
	Octane Computer Assembly w/D3D (2205488-3 BOM, rev 1).....	423
	<i>Octane Computer</i>	424
	Octane Computer, (sheet 1, rev 11/14/00).....	424
	Octane Computer, (sheet 2, rev 10/27/99).....	425
	OCTANE Computer Parts	426
	OCTANE Computer (270 MHz R12K and Dual Processor)	426
	OCTANE Computer (300 MHz D3D Option)	427
1.3	Nexgen/Helios Console Sub-Assy (2169998)	428
	Nexgen/Helios Console Sub-Assy (2169998, sheet 1, rev 6)	428
	Nexgen/Helios Console Sub-Assy (2169998, sheet 2, rev 4)	429
	Nexgen/Helios Console Sub-Assy (2169998, sheet 3, rev 6)	430
	Nexgen/Helios Console Sub-Assy (2169998, sheet 4, rev 3)	431
	Nexgen/Helios Console Sub-Assy (2169998 BOM, rev 6).....	432
	1.3.1 – Cabinet Assembly (2169588).....	434
	Cabinet Assembly (2169588, sheet 1, rev 1)	434
	Cabinet Assembly (2169588, sheet 2, rev 1)	435
	Cabinet Assembly (2169588 BOM, rev 1).....	436
	1.3.2 – Outlet Box Assembly (2174159).....	438
	Outlet Box Assembly (2174159, sheet 1, rev 1).....	438
	Outlet Box Assembly (2174159 BOM, rev 0)	439
	<i>Breaker Box Assembly (2190750).....</i>	<i>440</i>
	Breaker Box Assembly (2190750, Sheet 1, Rev 2).....	440
	Breaker Box Assembly (2190750 BOM, rev 3)	441
1.4	Removable Card Cage Assembly (2190506).....	442
	Removable Card Cage Assembly (2190506, sheet 1, rev 2)	442
	Removable Card Cage Assembly (2190506 BOM, rev 1).....	443
	<i>NexGen Fan Assembly (2190504).....</i>	<i>444</i>
	NexGen Fan Assembly (2190504, Sheet 1, Rev 0)	444
	NexGen Fan Assembly (2190504 BOM, rev 1).....	445

1.5	CR Intercom/Prescribed Tilt Circuit (2169590-2)	446
	CR Intercom/Prescribed Tilt Circuit (2169590-2, sheet 1, rev 0).....	446
	CR Intercom/Prescribed Tilt Circuit (2169590-2 BOM, rev 0)	447
1.6	Box Assy - Fan and Cables (2200483-2)	448
	Box Assy - Fan and Cables (2200483-2, sheet 2, rev 3)	448
	Box Assy - Fan and Cables (2200483-2 BOM, rev 0)	449
1.7	Side Bulkhead Assy (2174056-4)	450
	Bulkhead Asm, Side (2174056-4, sheet 1, rev 0).....	450
	Side Bulkhead Assy - Helios 2 (2174056-4 BOM, rev 1)	451
1.8	VME Console Power Supply Assembly (2260421)	452
	VME Console Power Supply Assembly (2260421, sheet 1, rev 0)	452
	VME Console Power Supply Assembly (2260421 BOM, rev 0)	453
Section 2.0 — Console Display Monitors		454
	Console Display Monitors.....	454
Section 3.0 — Global Modem (2264588)		454
	Global Modem (2264588 BOM, rev 0)	454
Section 4.0 — DASMs		454
	DASMs	454
Section 5.0 — Keyboard w/SCIM Collector (2275758)		455
	Keyboard w/SCIM Collector (2275758 BOM, rev 0).....	455
5.1	SCIM Collector (2275752)	455
	SCIM Collector - English (2275752 BOM, rev 0).....	455
5.2	Keyboard Assembly	456
	Keyboard Assembly (Rev 10/27/99).....	456
 Chapter 6		
Console w/PEG-IG		457
	Console w/PEG-IG BOM Tree	458
	Console w/Monitor.....	459
Section 1.0 — Console Assembly (2266832, 2304732)		460
	Console Assembly (2266832, sheet 1, rev 6)	460
	Console Assembly (2266832, sheet 2, rev 6)	461

	Console Assembly (2266832, sheet 3, rev 6)	462
	Console Assembly (2266832, sheet 4, rev 2)	463
	Console Assembly (2266832, sheet 5, rev 0)	464
	Console Assembly (2266832, sheet 6, rev 2)	465
	Console Assembly (2266832, -2 BOM, rev 12)	466
	Console Assembly, w/Octane2 (2304732, sheet 1, rev 4)	470
	Console Assembly, w/Octane2 (2304732, sheet 2, rev 4)	471
	Console Assembly, w/Octane2 (2304732, sheet 3, rev 4)	472
	Console Assembly, w/Octane2 (2304732, sheet 4, rev 3)	473
	Console Assembly, w/Octane2 (2304732, sheet 5, rev 0)	474
	Console Assembly, w/Octane2 (2304732, sheet 6, rev 2)	475
	Console Assembly, w/Octane2 (2304732, -2 BOM, rev 6)	476
1.1	Console User Drive Assembly (2174061).....	480
	Console User Drive Assembly (2174061, sheet 1, rev 5)	480
	Console User Drive Assembly (2174061, sheet 2, rev 5)	481
	Console User Drive Assembly (2174061 BOM, rev 9)	482
1.2	Console User Drive Assembly (2174061-2).....	484
	Console User Drive Assembly (2174061-2, sheet 1, rev 2)	484
	Console User Drive Assembly (2174061-2, sheet 2, rev 1)	485
	Console User Drive Assembly (2174061-2 BOM, rev 6)	486
1.3	Octane Computer Assembly	488
	Octane Computer Assembly (2205488, sheet 4, rev 7)	488
	Octane Computer Assembly (2205488-4 BOM, rev 2).....	489
	Octane Computer Assembly w/D3D (2205488, sheet 5, rev 7)	490
	Octane Computer Assembly w/D3D (2205488-5 BOM, rev 0).....	491
	<i>Octane Computer</i>	492
	Octane Computer, (sheet 1, rev 11/14/00).....	492
	Octane Computer, (sheet 2, rev 10/27/99).....	493
	OCTANE Computer Parts	494
	OCTANE Computer (270 MHz R12K and Dual Processor)	494
	OCTANE Computer (300 MHz D3D Option)	495
1.4	Octane2 Computer Assembly	496
	Octane2 Computer Assembly (2295618, sheet 1, rev 0)	496
	Octane2 Computer Assembly (2295618 BOM, rev 1).....	497
	Octane2 Computer Assembly (2295618-2 BOM, rev 1).....	497

1.5	Octane2 Replacement Parts	498
	Octane2 Replacement Parts (sheet 1, rev 10/09/01)	498
	Octane2 Replacement Parts	499
1.6	Rear EMC Cover w/Fan (2297734)	500
	Rear EMC Cover w/Fan Assembly (2297734, sheet 1, rev 1).....	500
	Rear EMC Cover w/Fan Assembly (2297734 BOM, rev 1)	501
1.7	Nexgen/Helios Console Sub-Assy (2169998)	502
	Nexgen/Helios Console Sub-Assy (2169998, sheet 1, rev 9)	502
	Nexgen/Helios Console Sub-Assy (2169998, sheet 2, rev 7)	503
	Nexgen/Helios Console Sub-Assy (2169998, sheet 3, rev 6)	504
	Nexgen/Helios Console Sub-Assy (2169998, sheet 4, rev 7)	505
	Nexgen/Helios Console Sub-Assy (2169998 BOM, rev 10)	506
	1.7.1 – Cabinet Assembly (2169588)	508
	Cabinet Assembly (2169588, sheet 1, rev 2)	508
	Cabinet Assembly (2169588, sheet 2, rev 1)	509
	Cabinet Assembly (2169588 BOM, rev 1)	510
	1.7.2 – Outlet Box Assembly (2174159)	512
	Outlet Box Assembly (2174159, sheet 1, rev 1).....	512
	Outlet Box Assembly (2174159 BOM, rev 0)	513
	<i>Breaker Box Assembly (2190750)</i>	516
	Breaker Box Assembly (2190750, Sheet 1, rev 2)	516
	Breaker Box Assembly (2190750 BOM, rev 3)	517
1.8	Removable Card Cage Assembly (2190506)	518
	Removable Card Cage Assembly (2190506, sheet 1, rev 4)	518
	Removable Card Cage Assembly (2190506 BOM, rev 3).....	519
	<i>NexGen Fan Assembly (2190504)</i>	520
	NexGen Fan Assembly (2190504, Sheet 1, rev 0).....	520
	NexGen Fan Assembly (2190504 BOM, rev 1).....	521
1.9	Replacement Hardware (2214280)	522
	Replacement Hardware Collector (2214280 BOM, rev 0)	522
1.10	CR Intercom/Prescribed Tilt Circuit (2169590-2)	524
	CR Intercom/Prescribed Tilt Circuit (2169590-2, sheet 1, rev 1).....	524
	CR Intercom/Prescribed Tilt Circuit (2169590-2 BOM, rev 1)	525

1.11	Box Assy - Fan and Cables (2200483-2)	526
	Box Assy - Fan and Cables (2200483-2, sheet 2, rev 3)	526
	Box Assy - Fan and Cables (2200483-2 BOM, rev 0)	527
1.12	Fan Assembly for Power Supply (2294357)	528
	Fan Assembly for Power Supply (2294357, sheet 1, rev 0)	528
	Fan Assembly for Power Supply (2294357 BOM, rev 0).....	529
1.13	Side Bulkhead Assy (2174056-5)	530
	Bulkhead Asm, Side (2174056-5, sheet 1, rev 1).....	530
	Side Bulkhead Assy - Helios 2 (2174056-5 BOM, rev 1)	531
1.14	Side Bulkhead Assembly (2174056-6)	532
	Side Bulkhead Assembly (2174056-6, sheet 1, rev 1)	532
	Side Bulkhead Assembly (2174056-6 BOM, rev 1).....	533
1.15	VME Console Power Supply Assembly (2260421)	534
	VME Console Power Supply Assembly (2260421, sheet 1, rev 1)	534
	VME Console Power Supply Assembly (2260421 BOM, rev 0)	535
	Section 2.0 — Global Modem (2264588)	536
	Global Modem (2264588 BOM, rev 0)	536
2.1	Global Modem Kit (2245794)	536
	Global Modem Kit (2245794 BOM, rev 3)	536
	Section 3.0 — Console Display Monitors	537
3.1	CRT Monitors	537
	Console Display Monitors.....	537
3.2	LCD Monitor & Cable (2309592)	537
	LCD Monitor & Cable (2309592 BOM, rev 1).....	537
	Section 4.0 — DASMs	537
	DASMs	537
	Section 5.0 — Keyboard w/SCIM, Collectors	538
	Keyboard & SCIM Assembly (Rev 11/15/00 - English shown)	538
5.1	English (2275758)	539
	Keyboard w/SCIM Collector (2275758 BOM, rev 1).....	539
	SCIM Collector - English (2275752).....	539
	SCIM Collector - English (2275752 BOM, rev 0).....	539

5.2	French (2275758-2)	540
	Keyboard w/SCIM Collector - French (2275758-2 BOM, rev 1)	540
	<i>SCIM Collector - French (2275752-2)</i>	540
	SCIM Collector - French (2275752-2 BOM, rev 0)	540
5.3	German (2275758-3)	541
	Keyboard w/SCIM Collector - German (2275758-3 BOM, rev 1)	541
	<i>SCIM Collector - German (2275752-3)</i>	541
	SCIM Collector - German (2275752-3 BOM, rev 0)	541
5.4	Swedish (2275758-4)	541
	Keyboard w/SCIM Collector - Swedish (2275758-4 BOM, rev 1).....	541
5.5	International (2275758-5)	542
	Keyboard w/SCIM Collector - International (2275758-5 BOM, rev 1).....	542
	<i>SCIM Collector - International (2275752-4)</i>	542
	SCIM Collector - International (2275752-4 BOM, rev 0)	542

Chapter 1

System Matrices & Manual Conventions

Section 1.0 — Page Layout, Including Finger Tabs

Headers and footers in this publication are designed to allow you to quickly identify your location. The document's part number, revision number and title appear in the header on every page. All page footers display the current page number, at left (when viewed landscape). Odd numbered page footers include a reversed "finger tab" (new with document revision 03) to help the user quickly flip through this manual. These tabs include chapter number and name, plus the name of the current major (level one) section heading. Where applicable, even page footers will show the current minor (level two) section number and name (e.g., 3.3 Gantry Sub-System Matrix) - otherwise, they repeat the current major (level one) section heading and name (e.g., Section 1.0 — Page Layout, Including Finger Tabs).

Section 2.0 — Manual Organization

This document is organized according to product structure. That is, the order in which the contents appear is based on the BOMs (Bills of Material) used herein. This means that the user may be required to "dig down" through the product structure in order to find the part they are looking for. [For pdf users, hyperlinks are provided for quick navigation downward (the "back" arrow may be used to move back up)].

For example:

Knowing that the DCB Housing Assembly is on the Rotating Base, a user might look up "Rotating Base" in the table of contents. According to the TOC, information on the Rotating Base begins on [Page 240](#). But, because this manual follows the product structure defined by the BOMs, the DCB Housing Assembly will not be found anywhere near [Page 240](#). The user will find, instead, a reference in the Rotating Base BOM to further detail on the Detector Plate Assembly. Turning to the directed page ([Page 276](#)), the user will find a further reference to detail on the SDAS Collector. Digging down this one more level brings the user to the SDAS Collector drawing and BOM (beginning on [Page 278](#)), and there the user will find the DCB Housing Assembly (mark 6).

WHAT IS A BOM?

A BOM is a Bill (list) Of Materials (parts) used to produce an item. The Parent Item is the thing that is made from the parts listed on the BOM. Because BOMs describe the materials required for a specific manufacturing process, they may not necessarily list every single item used to produce the parent item. The parts on a BOM themselves may be the result of a separate process, and thus have their own BOMs, listing the secondary items required to produce these primary parts.

BOM TREES

As indicated above, this manual is organized according to the overall Product Structure of the LightSpeed Plus CT System's major components: Gantry, Table, Console and PDU. The many levels of BOMs contained in the Product Structures for the Gantry, Table and Console (without and with SCSI & PEG-IG upgrades) are represented on the next few pages in Tree form, revealing which BOM parts are themselves parent items to secondary BOMs. The trees list only key items, providing the Mark number (in parentheses) from the BOM of its parent item.

Section 3.0 — System Matrices

The BOM Trees shown on the following pages act as **SYSTEM MATRICES**, providing visual cues to this manual’s organization. Hyperlinks (page numbers) are given for all BOMs listed in this manual. No BOM tree is shown for the Compact PDU.

Note: As you use these trees, keep in mind that BOMs are not necessarily organized by function, but rather by manufacturing process.

3.1 LightSpeed Plus System Matrix

The information in this manual applies to LightSpeed Plus systems with the following catalog numbers: B7850JA, B7850JB, B7850JC, B7850JD, B7850JE, B7850JF, B7850PA and B7850PC. The matrix shown below shows the catalog structure of these systems, and includes page numbers to point the user to the relevant portions of this manual. Please note that not all catalog items are shown in this tree, only those that are relevant to this document. Furthermore, not every catalog item applies to every system — applicability notes indicate inclusions and exclusions (e.g., “*Cat: ALL*” indicates that this item applies to all of the listed LightSpeed Plus system catalogs).

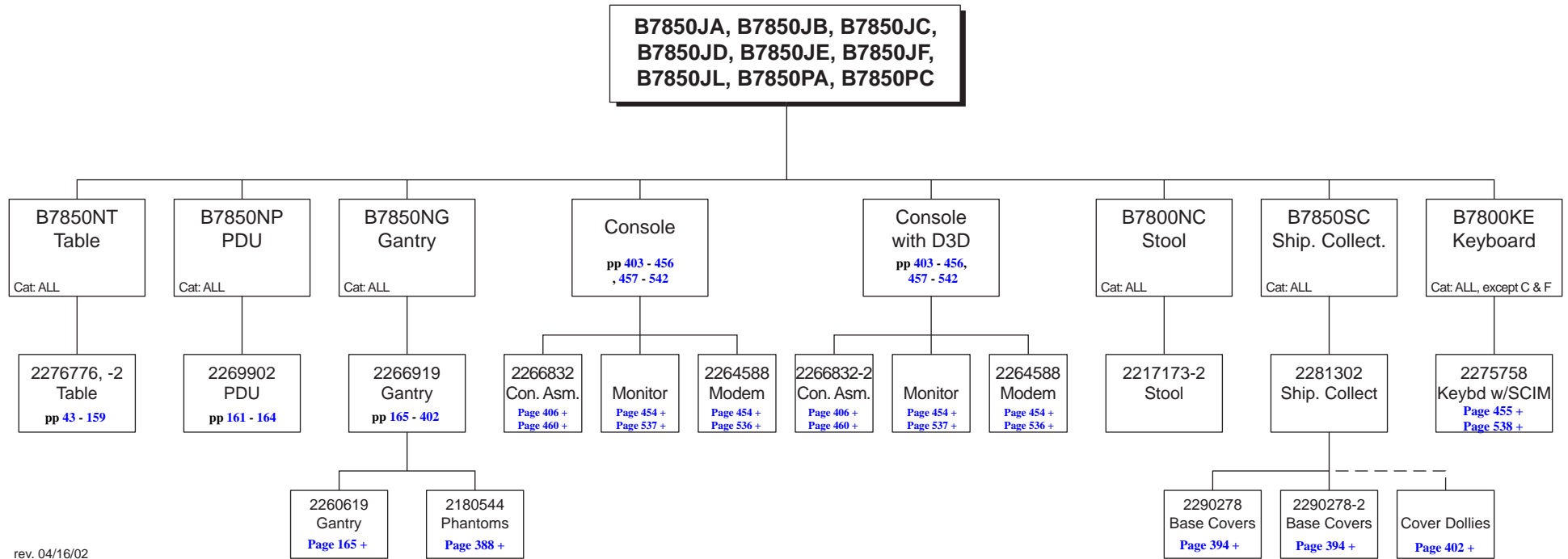


Figure 1-1 System Catalog Tree

3.2 Table Sub-System Matrix

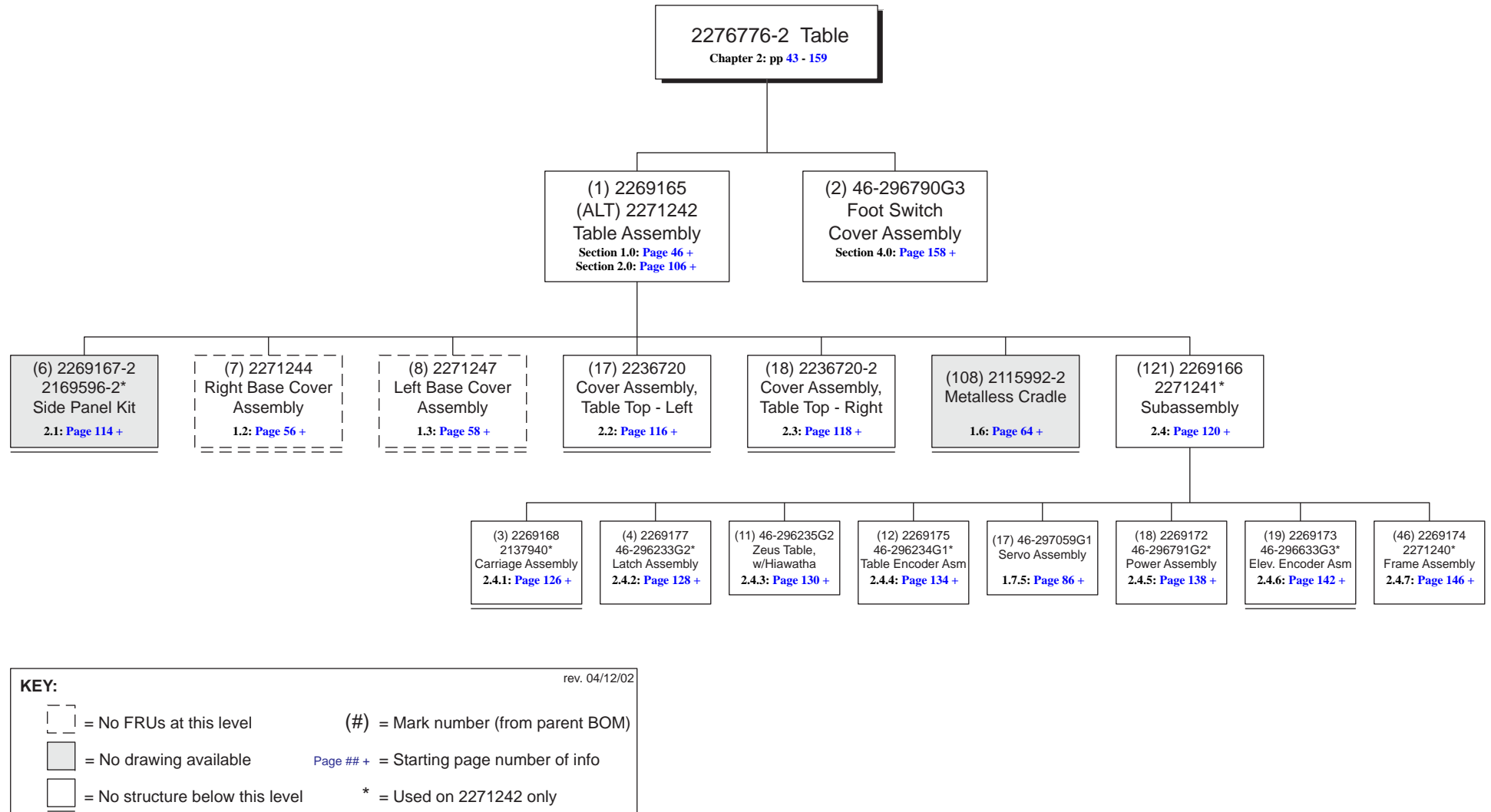


Figure 1-2 Table BOM Tree

3.3 Gantry Sub-System Matrix

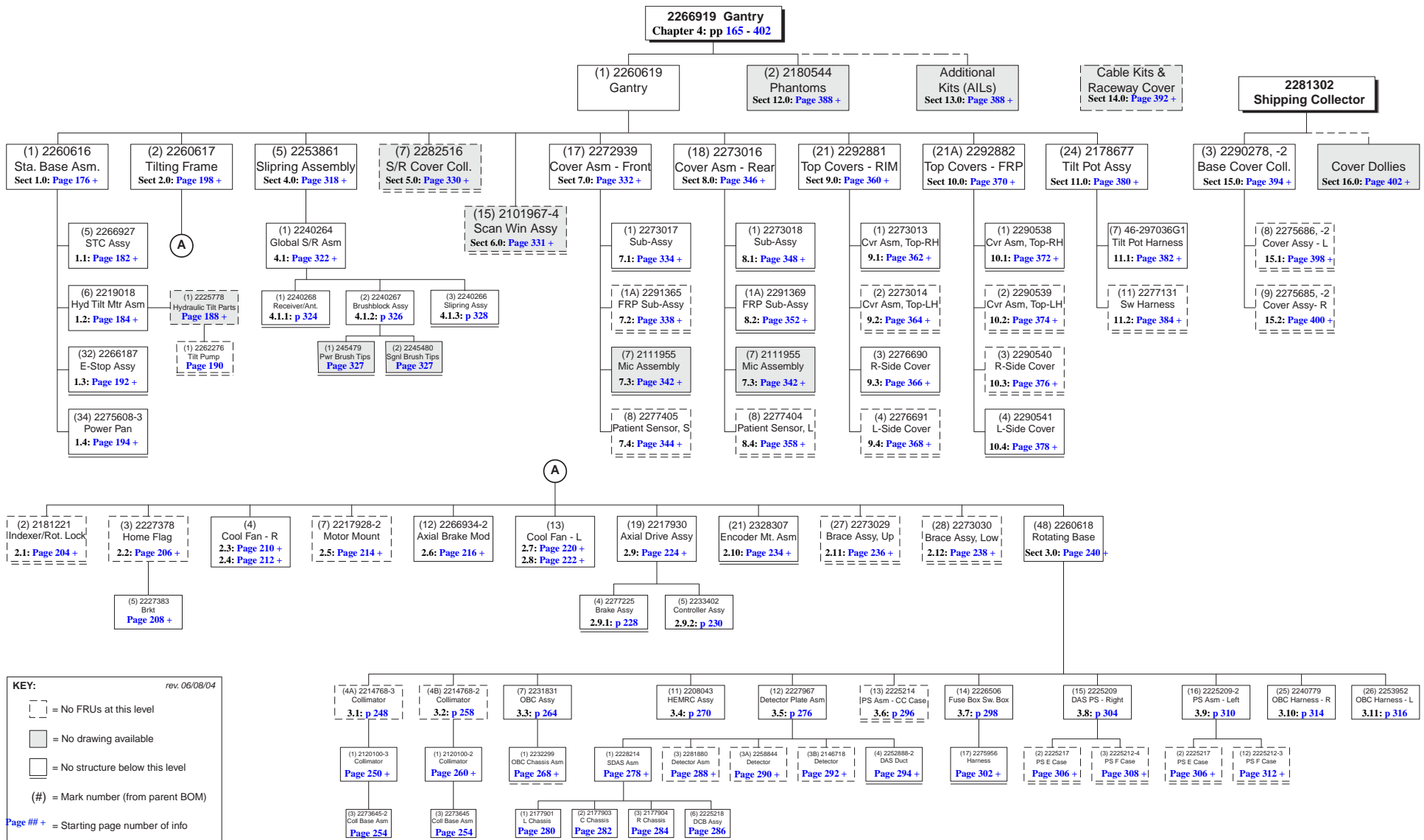
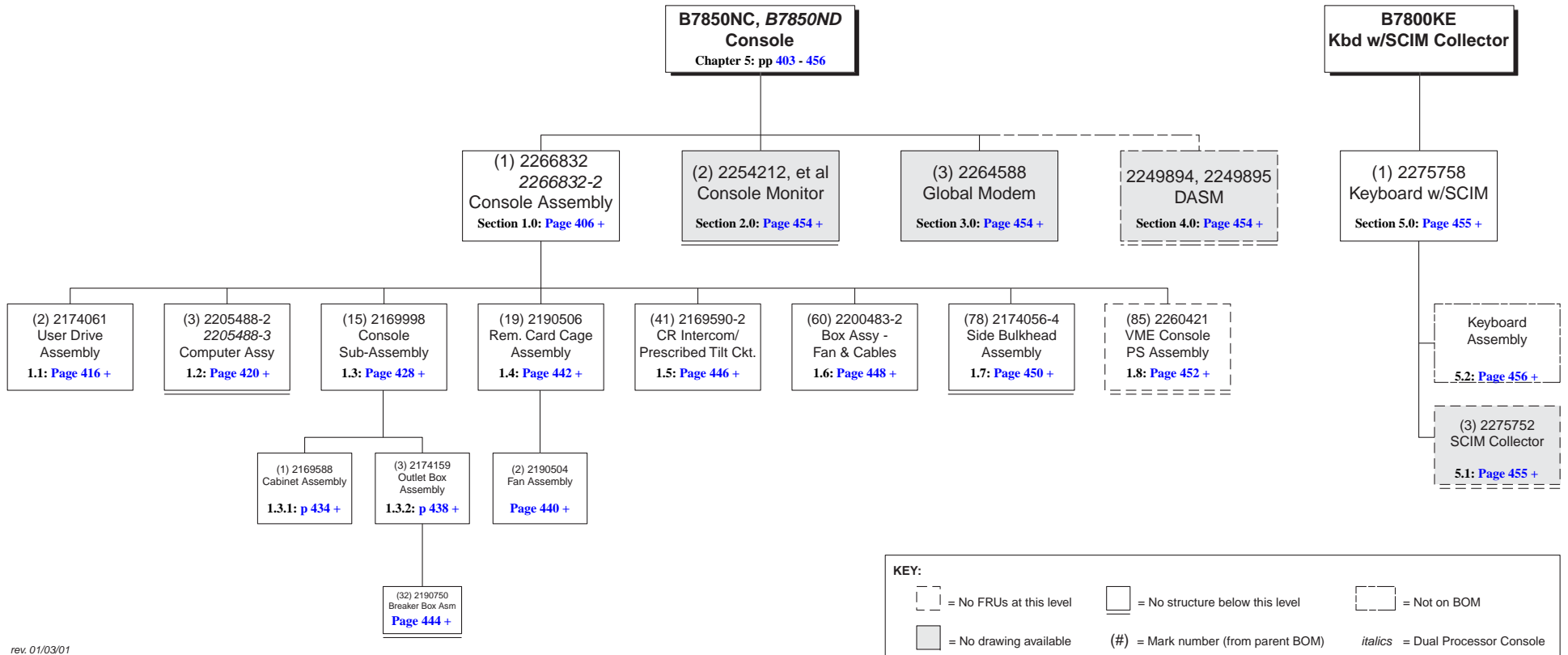


Figure 1-3 Gantry BOM Tree

3.4 Console Sub-System Matrices

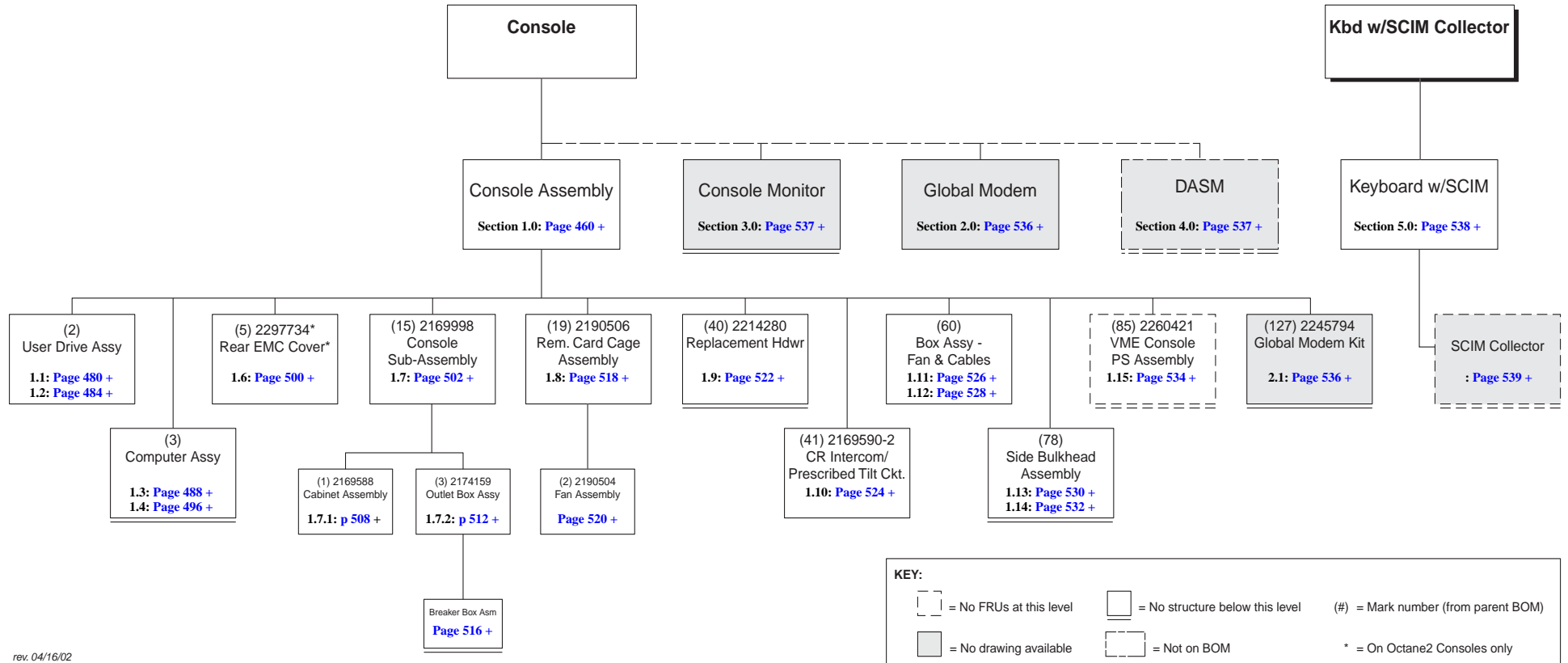
3.4.1 Console w/o PEG-IG



rev. 01/03/01

Figure 1-4 Console w/o PEG-IG BOM Tree

3.4.2 Console w/SCSI, PEG-IG Upgrades



rev. 04/16/02

Figure 1-5 Console w/ PEG-IG BOM Tree

3.4.3 GRE Xtream Console (GOC3 or GOC4)

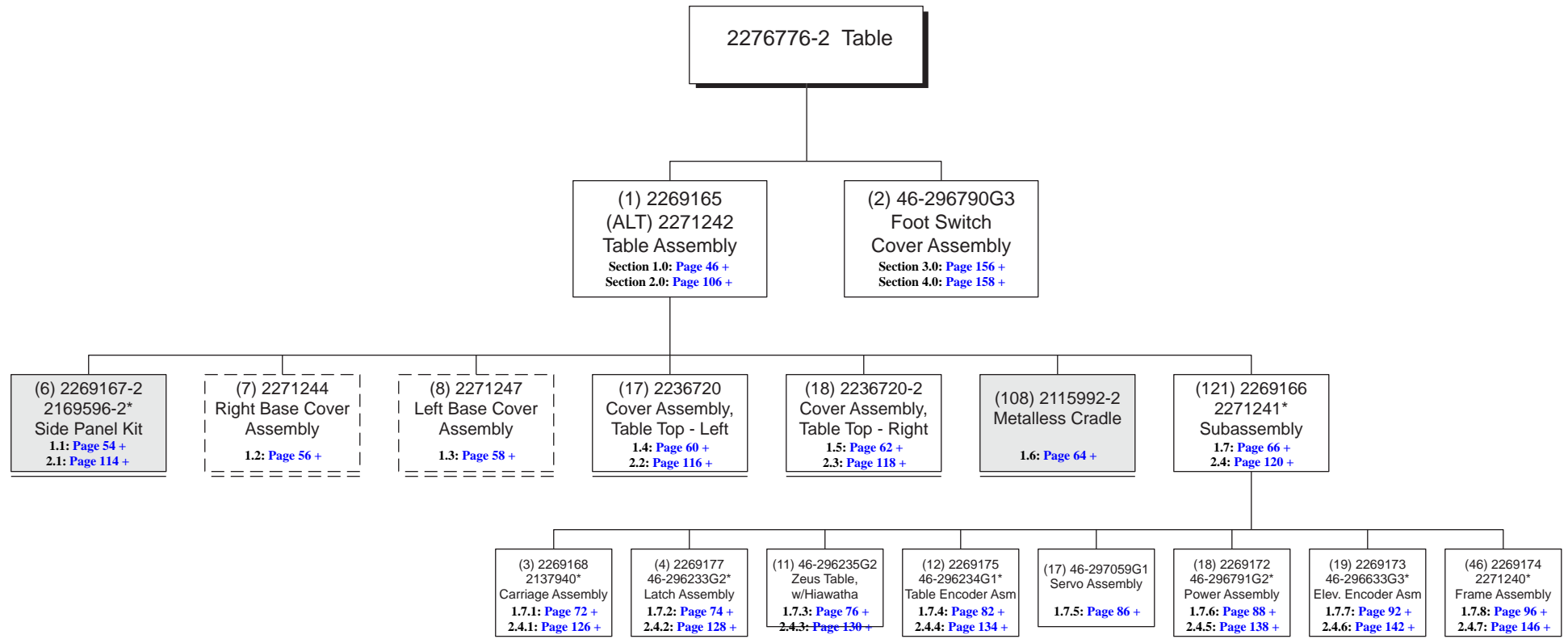
For GOC3 Parts Information: Please refer to the *GOC3 Illustrated Parts List*, Direction 2394950-100. This IPL is available for order in paper, or may be found in PDF form on the *GOC3 Installation and Service Information* CD-ROM (2384451-200) that came with the GOC3 Console. The PDF may also be found on GE's Common Documentation Library.

For GOC4 Parts Information: Please refer to the *GOC4 Illustrated Parts List*, Direction 5134893-100. This IPL is available for order in paper, or may be found in PDF form on the *GOC4 Installation and Service Information* CD-ROM (5134894-200) that came with the GOC4 Console. The PDF may also be found on GE's Common Documentation Library.

End of Chapter.

Chapter 2

Table



KEY: rev. 04/12/02

[] = No FRUs at this level (#) = Mark number (from parent BOM)

[] = No drawing available Page ## + = Starting page number of info

[] = No structure below this level * = Used on 2271242 only

Figure 2-1 Table BOM Tree

MARK	NUMBER	QTY	FRU	DESCRIPTION/NAME
3	2115996-3	1.000	Yes	AXIAL HEADHOLDER ASM WITH
4	2115990-3	1.000	Yes	LCC HSA METALLESS SUPINE
5	2115993-2	1.000	Yes	LCC METALLESS CRADLE EXTE
8	2331933	1.000	Yes	METALLESS COMPATIBLE PHAN
n/a	2302366	1.000	Yes	CRADLE LOCK - CT MOBILE
1	2269165	1.000	No	TABLE ASSEMBLY FOR H2 LCC {For further detail, see Section 1.0 , beginning on page 46 .}
n/a	2271242	–	No	TABLE ASSEMBLY FOR H2 HCC {For further detail, see Section 2.0 , beginning on page 106 .}
2	2330508	1.000	No	FOOT SWITCH ASSEMBLY {For further detail, see Section 3.0 , beginning on page 156 .}
n/a	46-296790G3	–	No	FOOT SWITCH COVER ASSEMBLY {For further detail, see Section 4.0 , beginning on page 158 .}

Table 2-1 Table w/ Footswitch (2276776-2 BOM, rev 2)

Section 1.0 — Table Assembly - LCC (2269165)

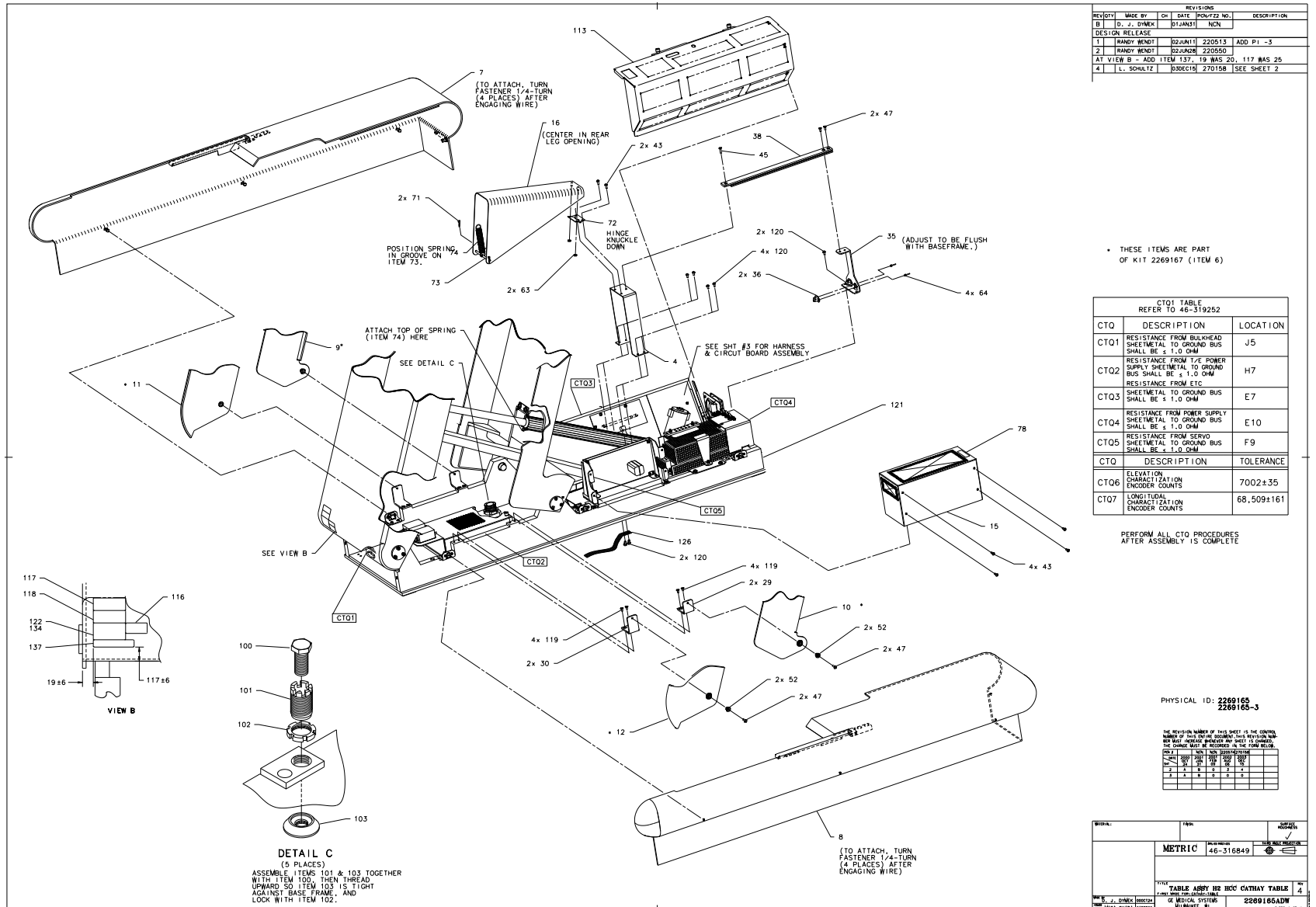


Figure 2-2 Table Assembly - LCC (2269165, sheet 1, rev 4)

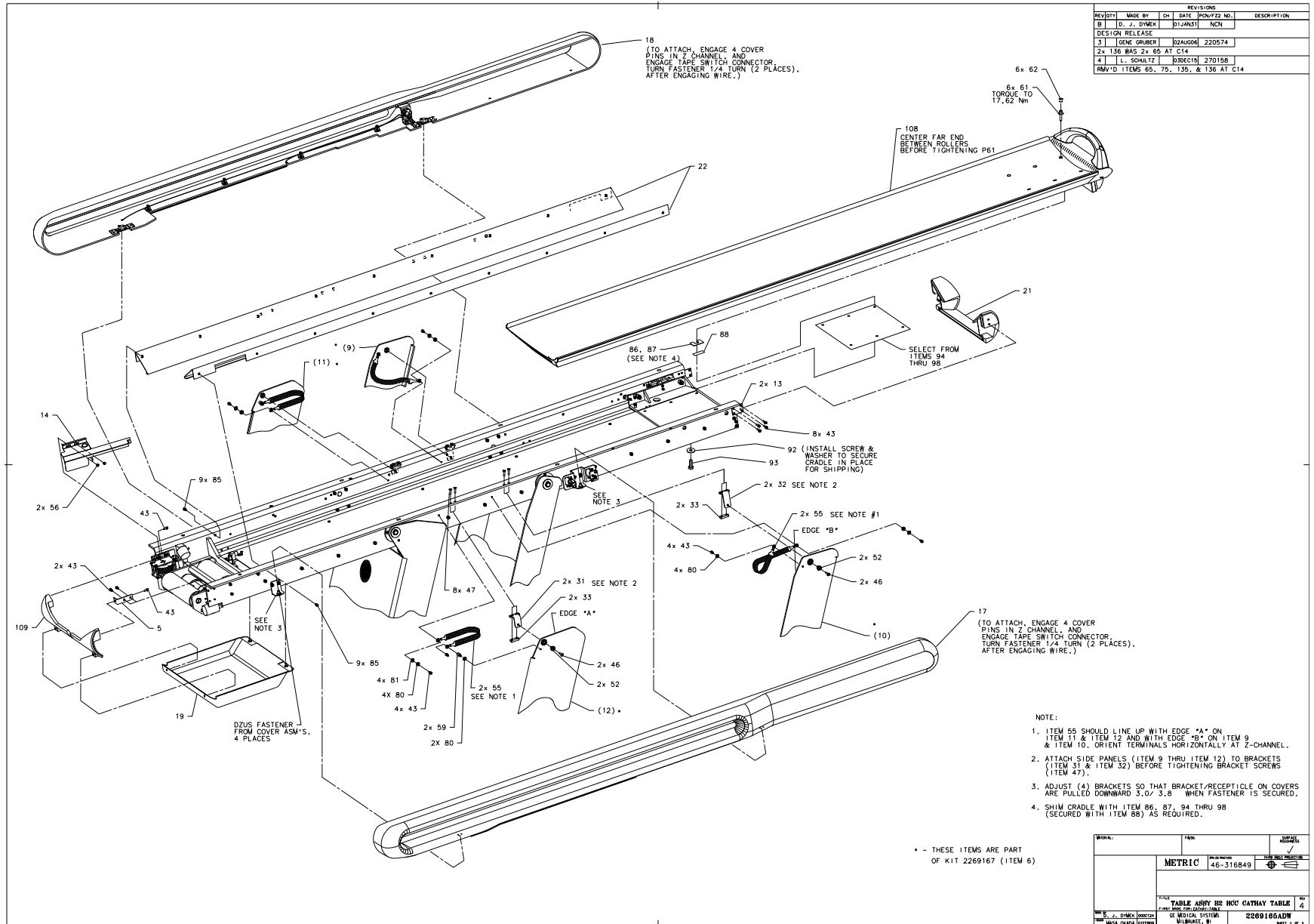


Figure 2-3 Table Assembly - LCC (2269165, sheet 2, rev 4)

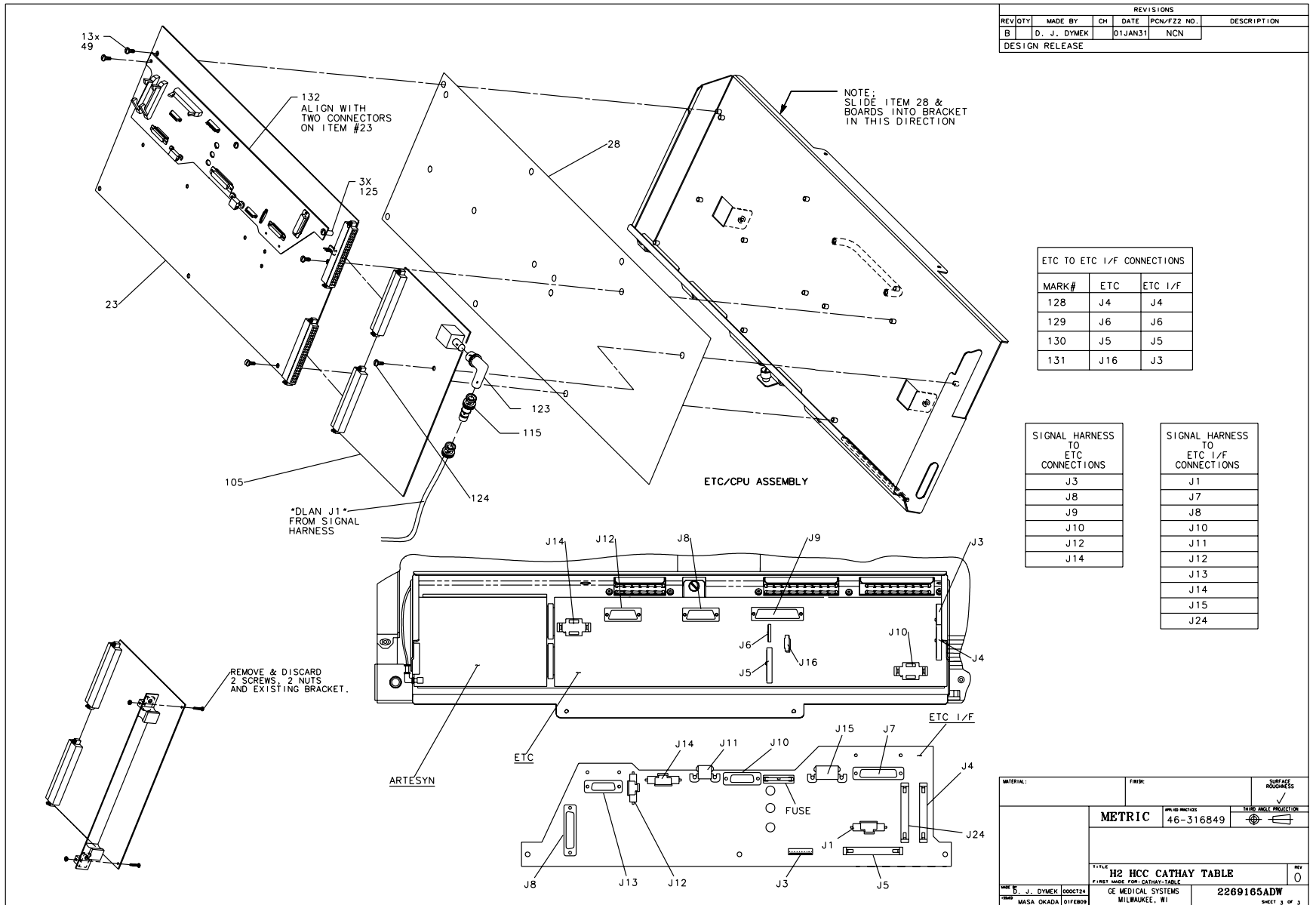


Figure 2-4 Table Assembly - LCC (2269165, sheet 3, rev 0)

MARK	NUMBER	QTY	FRU	DESCRIPTION/NAME
7	2271244	1.000	Yes	RIGHT BASE COVER ASM FOR {For further detail, see Section 1.2 , beginning on page 56 .}
8	2271247	1.000	Yes	LEFT BASE COVER ASM FOR H {For further detail, see Section 1.3 , beginning on page 58 .}
14	2261675	1.000	Yes	ENCODER COVER, (REF 46-29
16	2261683	1.000	Yes	COVER, ACTUATOR, (REF 46-
-	46-297894G1	-	Yes	FIELD KIT FOR ACTUATOR COVER ROLLER
17	2372371	1.000	Yes	COVER TABLE TOP LEFT {For further detail, see Section 1.4 , beginning on page 60 .}
18	2372372	1.000	Yes	COVER TABLE TOP RIGHT {For further detail, see Section 1.5 , beginning on page 62 .}
19	46-296594P1	1.000	Yes	DRIVE COVER
21A	46-296679P2	1.000	Yes	ZEUS TABLE, REAR END COVE
21B	2332150	ALT	Yes	TOP REAR COVER
23	46-264368G3	1.000	Yes	ENHANCED TABLE CONTROL HE
28	46-297061P1	1.000	Yes	FISH PAPER
29	2265851	2.000	Yes	BRACKET, LR SIDE PANEL (R
30	2265850	2.000	Yes	BRACKET, LF SIDE PANEL (R
31	2261669	2.000	Yes	BRKT,U-FRONT SIDE PNL, (R
32	2261668	2.000	Yes	BRKT, U-REAR SIDE PNL, (R
36	46-297329P2	2.000	Yes	1/4 TURN RECEPTACLE - FIX
38	2329950	1.000	Yes	CHANNEL,COVER SUPPORT
47	46-208562P20	14.000	Yes	SCREW
52	2265882	8.000	Yes	SIDE PIVOT BUSHING (REF 4
72	46-297678P1	1.000	Yes	HINGES
74	46-170490P50	1.000	Yes	SPRING-INCH EXTENSION 4 I
81	12-276	4.000	Yes	ID 0.2040 OD 0.5630 THK .
85	2146815-2	18.000	Yes	10-32 X 3/8 HEX SOC BUTTO

Table 2-2 Table Assembly - LCC (2269165 BOM, rev 13)

MARK	NUMBER	QTY	FRU	DESCRIPTION/NAME
103	2265845	5.000	Yes	PAD, LEVELING (REF 210587
105	2224296-3	1.000	Yes	VE-GE, 8MB, 2FL, GE MED,
108	2115992-2	1.000	Yes	860-941208 METALLESS CRAD {For further detail, see Section 1.6 , beginning on page 64 .}
109A	2117299	1.000	Yes	METALLESS CRADLE COMPATIB
109B	2332149	ALT	Yes	FRONT END COVER
115	46-265874P1	1.000	Yes	50 OHM IMPEDANCE BNC FEED
128	2271251	1.000	Yes	RIBBON JUMPER CABLE, ETC
129	2271253	1.000	Yes	RIBBON CABLE JUMPER, ETC
130	2271254	1.000	Yes	RIBBON CABLE JUMPER, ETC
131	2271255	1.000	Yes	CABLE JUMPER, ETC TO ETC
132A	2336447	1.000	Yes	H2 TABLE ETC/IF BD ASSY
132B	2372485	ALT	Yes	ETC INTERFACE W/ AZ60A
132C	2229871	ALT	Yes	ETC IF BOARD
4	2261682	1.000	No	BRKT,ACTUAT CVR MT,(REF 4
5	2265868	1.000	No	BRACKET (REF 46-296820P1)
6	2269167-2	1.000	No	SIDE PANEL KIT FOR H2 LCC {For further detail, see Section 1.1 , beginning on page 54 .}
13	2261673	2.000	No	BKT, REAR COVER, (REF 46-
15	2265857	1.000	No	COVER (REF 46-297374P1)
22	2261708	2.000	No	COVER GUARD, RAILS,(REF 4
33	2265870	4.000	No	NUT PLATE (REF 46-297171P
35	2261688	1.000	No	BRKT, LWR COV SUP (REF 46
43	2146815-2	26.000	No	10-32 X 3/8 HEX SOC BUTTO
45	46-208562P2	1.000	No	SCREW
46	46-208562P3	4.000	No	SCREW
49	46-170497P38	14.000	No	SCREW
55	46-297155G1	4.000	No	ZEUS TABLE, 9" LONG CABLE

Table 2-2 Table Assembly - LCC (2269165 BOM, rev 13) (Continued)

MARK	NUMBER	QTY	FRU	DESCRIPTION/NAME
56	46-170012P61	2.000	No	0006-32 HEX .313 NUT HT
59	2261690	2.000	No	HEX STDF,9.5MM TAP,(REF 4
61	46-170498P23	6.000	No	SCREW
62	46-221523P10	6.000	No	HOLE DIA 0.437 MAT'L THK
63	46-170012P63	2.000	No	0010-32 HEX .375 NUT HT
64	46-220186P20	4.000	No	1/8" 120 DEGREE COUNTERSU
71	46-297695P1	2.000	No	COTTER PIN
73	2265878	1.000	No	PIN (REF 46-297676P1)
78	46-197018P1	1.000	No	DANGER HI-VOLTAGE
80	46-220181P5	10.000	No	WASHER #10 (.190) SCREW S
86	2265863	3.000	No	SHIM 0.80MM (REF 46-19635
87	2265863-2	3.000	No	SHIM 0.40MM (REF 46-19635
88	46-170106P1	AR	No	DBL COATED FILM .007 THK
91	2132175	0.000	No	TABLE DOCUMENT COLLECTOR
92	1000904P358	1.000	No	ID 0.380 OD 1.000 THK .
93	2265862	1.000	No	BOLT, SHIPPING (REF 21847
94	2265861	AR	No	SPACER PLT 0.50MM (REF 46
95	2265861-2	AR	No	SPACER PLT 0.80MM (REF 46
96	2265861-3	AR	No	SPACER PLT 1.00MM (REF 46
97	2265861-4	AR	No	SPACER PLT 1.20MM (REF 46
98	2265861-5	1.000	No	SPACER PLT 1.60MM (REF 46
100	46-208561P147	5.000	No	SCREW
101	2265840	5.000	No	ADJUSTER, LEVELING PAD (R
102	2265846	5.000	No	LOCK RING (REF 2106207) D
113	2265849	1.000	No	BRACKET, ETC BRD COVER (R
116	2395282	1.000	No	ETL LABEL
117	2117390	1.000	No	LABEL, CE MARKING COMPLIA
118	2132620	1.000	No	CE MARKING LABEL CLASS A

Table 2-2 Table Assembly - LCC (2269165 BOM, rev 13) (Continued)

MARK	NUMBER	QTY	FRU	DESCRIPTION/NAME
119	2103580-12	8.000	No	SCREW COUNTERSUNK HEA 6 M
120	46-328417P12	8.000	No	SCREW HEXAGON SOCKET 6 MM
121	2269166	1.000	No	SUBASSEMBLY FOR H2 LCC CA {For further detail, see Section 1.7 , beginning on page 66 .}
122	2384711-2	1.000	No	RATING PLATE
123	46-233422P1	1.000	No	BNC JACK-PLUG, RIGHT ANGL
124	46-208922P5	1.000	No	SCREW
125	46-208984P17	3.000	No	BRASS STANDOFF MALE/FEMAL
126	2148658	1.000	No	ESD GROUND STRAP, BRAIDED
134	46-303268P1	1.000	No	PRODUCT LOCATOR CARD FORM
137	P9140ET	1.000	No	NAME PLATE

Table 2-2 Table Assembly - LCC (2269165 BOM, rev 13) (Continued)

This Page Intentionally Blank.

1.1 Side Panel Kit (2269167-2)

FRU = NO

USED ON:
2269165

MARK	NUMBER	QTY	FRU	DESCRIPTION/NAME
9	2259861-2	1.000	Yes	SIDE PANEL,RT REAR, HELIO
10	2259862-2	1.000	Yes	SIDE PANEL,LEFT REAR, HEL
11	2259863-2	1.000	Yes	SIDE PANEL,RIGHT FRONT, H
12	2259864-2	1.000	Yes	SIDE PANEL,LEFT FRONT, HE

Table 2-3 Side Panel Kit (2269167-2 BOM, rev 0)

This Page Intentionally Blank.

1.2 Right Base Cover Assembly (2271244)

FRU = YES

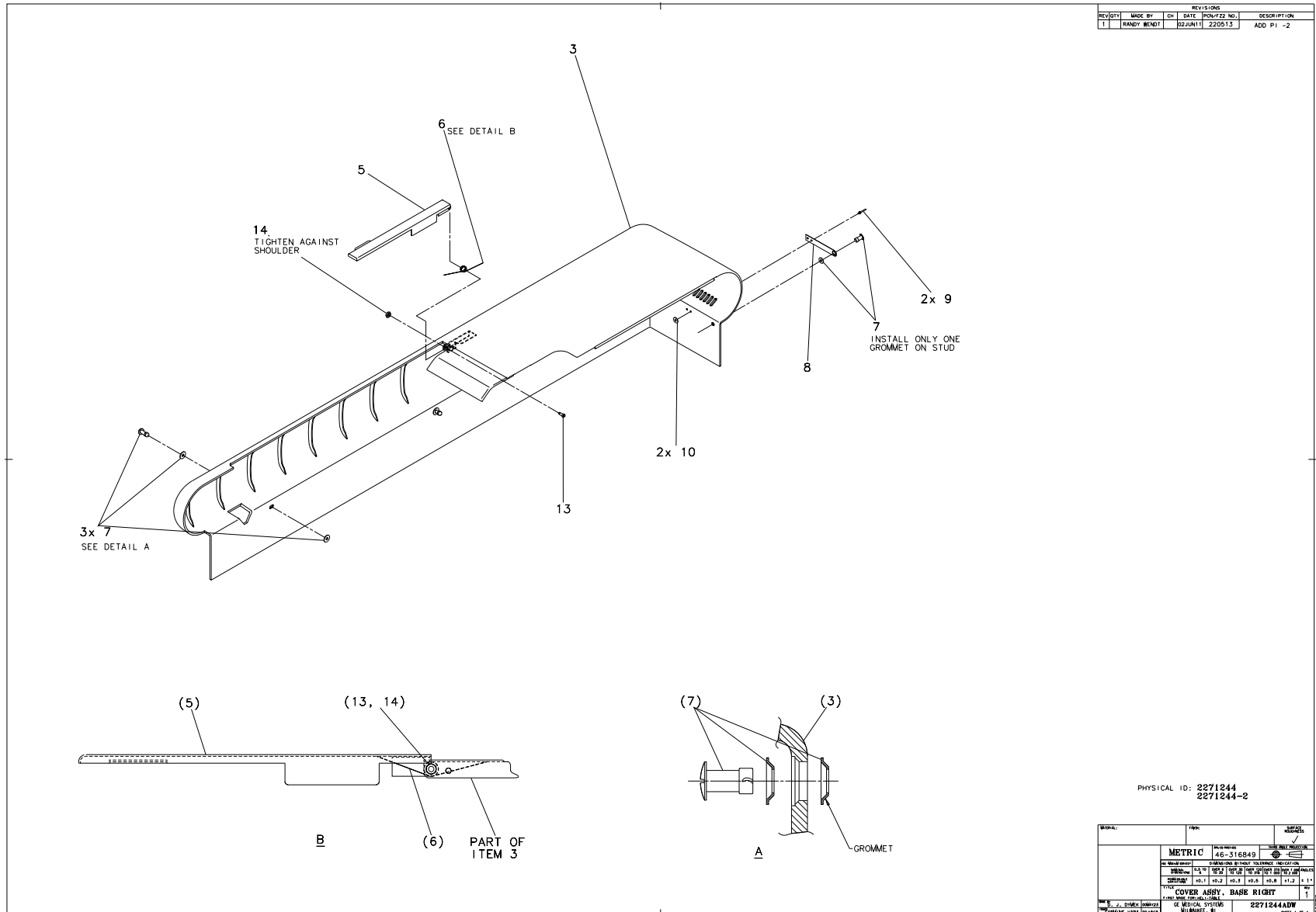


Figure 2-5 Right Base Cover Assembly (2271244, sheet 1, rev1)

MARK	NUMBER	QTY	FRU	DESCRIPTION/NAME
3	2271257	1.000	No	RIGHT BASE COVER FOR H2 TABLE
5	2265869-2	1.000	No	RIGHT FILLER COVER (REF 4
6	2153420	1.000	No	SPRING-INCH TORSION
7	46-297328P1	4.000	No	1/4 TURN STUD AND TWO GROMMETS
8	2329955	1.000	No	EJECTING BLADE
9	46-220186P6	2.000	No	DIA .125 HOLE .129-.133 -.390 LG
10	12-297	2.000	No	ID 0.140 OD 0.312 THK .032 STL
13	46-170024P60	1.000	No	SCREW-INCH
14	46-170012P62	1.000	No	0008-32 HEX .343 NUT HT .229

Table 2-4 Right Base Cover Assembly (2271244 BOM, rev 3)

1.3 Left Base Cover Assembly (2271247)

FRU = YES

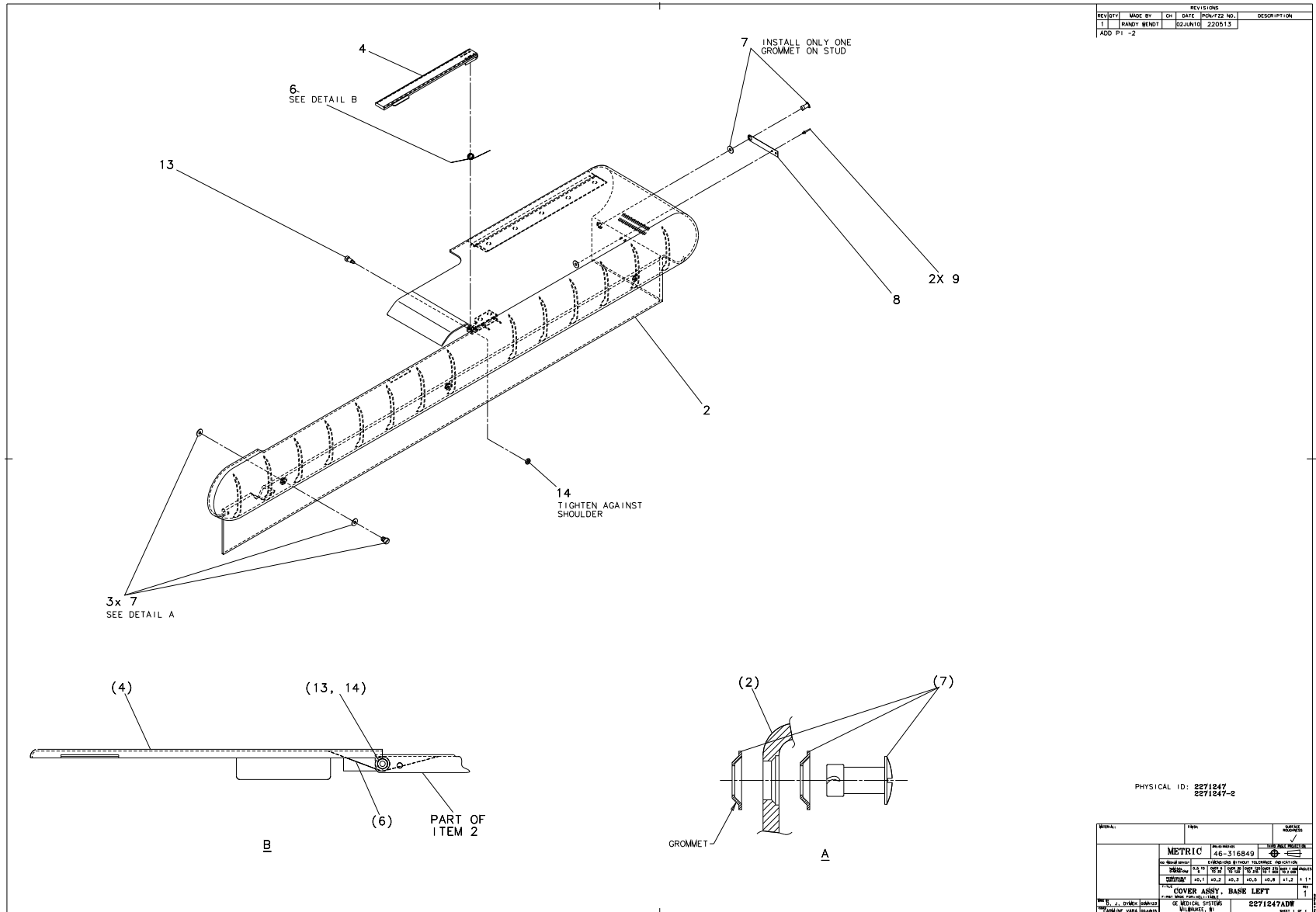


Figure 2-6 Left Base Cover Assembly (2271247, sheet 1, rev 1)

MARK	NUMBER	QTY	FRU	DESCRIPTION/NAME
2	2271259	1.000	No	LEFT BASE COVER FOR H2 TABLE
4	2265869	1.000	No	LEFT FILLER COVER (REF 46
6	2153420	1.000	No	SPRING-INCH TORSION
7	46-297328P1	4.000	No	1/4 TURN STUD AND TWO GROMMETS
8	2329955	1.000	No	EJECTING BLADE
9	46-220186P6	2.000	No	DIA .125 HOLE .129-.133 -.390 LG
10	12-297	2.000	No	ID 0.140 OD 0.312 THK .032 STL
13	46-170024P60	1.000	No	SCREW-INCH
14	46-170012P62	1.000	No	0008-32 HEX .343 NUT HT .229

Table 2-5 Left Base Cover Assembly (2271247 BOM, rev 3)

1.4 Cover Table Top Left (2372371)

FRU = YES

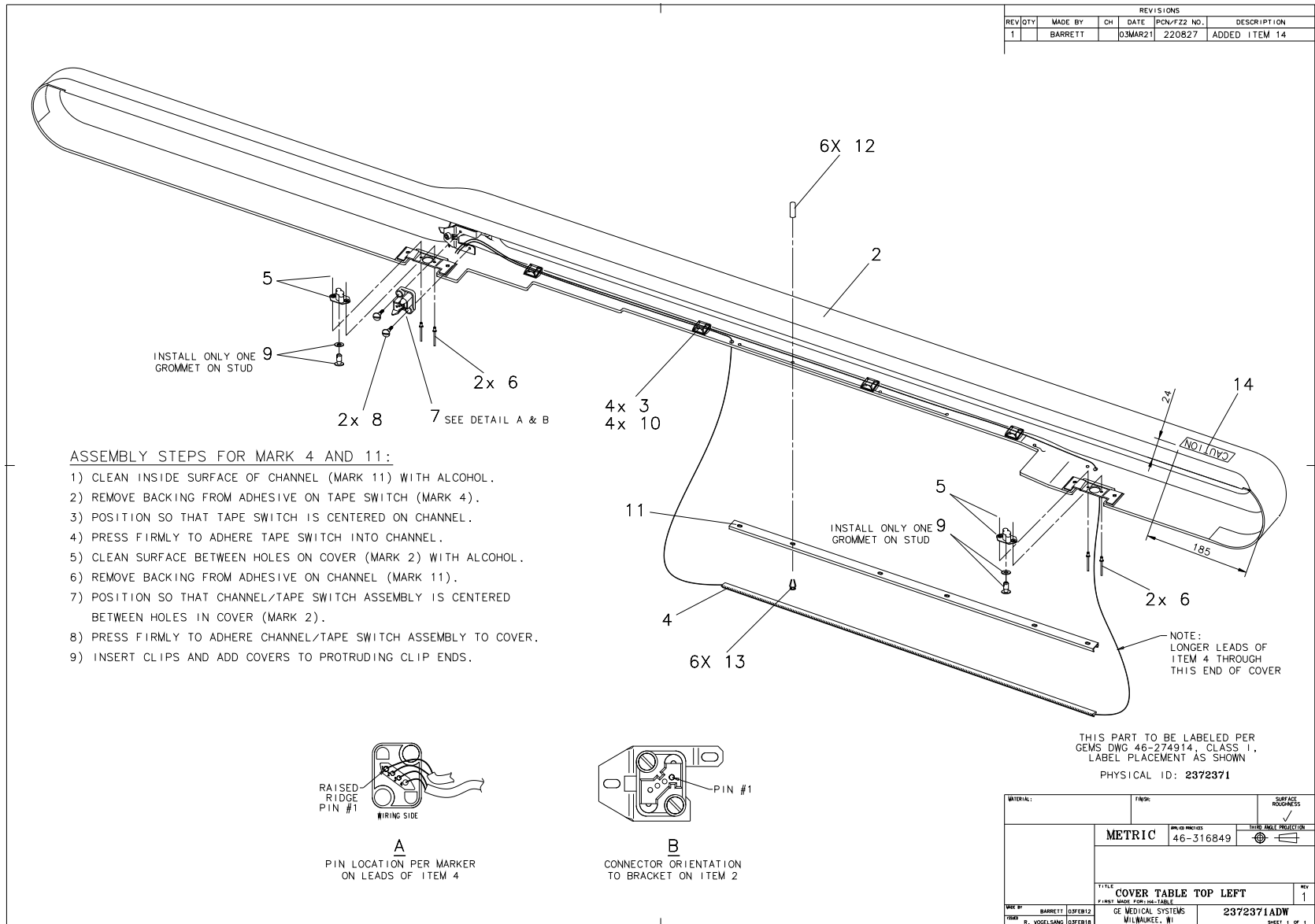


Figure 2-7 Cover Table Top Left (2372371, sheet 1, rev 1)

MARK	NUMBER	QTY	FRU	DESCRIPTION/NAME
3	46-208747P1	4.000	Yes	CABLE TIE,ADH.BACKED
4	46-297698P3	1.000	Yes	27" HIGH PROFILE BEAD, RI
5	46-297329P1	2.000	Yes	1/4 TURN RECEPTACLE WITH
6	46-220186P20	4.000	Yes	1/8" 120 DEGREE COUNTERSU
7	46-297721P1	1.000	Yes	4-POS PLUG HOUSING (DRAWE
8	46-158905P16	2.000	Yes	MOUNTING SCREW FOR DRAWER
9	46-297328P2	2.000	Yes	1/4 TURN STUD AND TWO GRO
10	46-208758P1	4.000	Yes	3.62" X .094" CABLE TIE
11	2372346	1.000	Yes	CHANNEL TAPESWITCH
2	2372348	1.000	No	COVER, TOP LEFT
12	2363367	6.000	No	VINYL CAP 1/8 INCH
13	2363369	6.000	No	T SHAPE HEAD STEEL CLIP
14	2199652	1.000	No	P9235LZ LABEL

Table 2-6 Cover Table Top Left (2372371 BOM, rev 1)

1.5 Cover Table Top Right (2372372)

FRU = YES

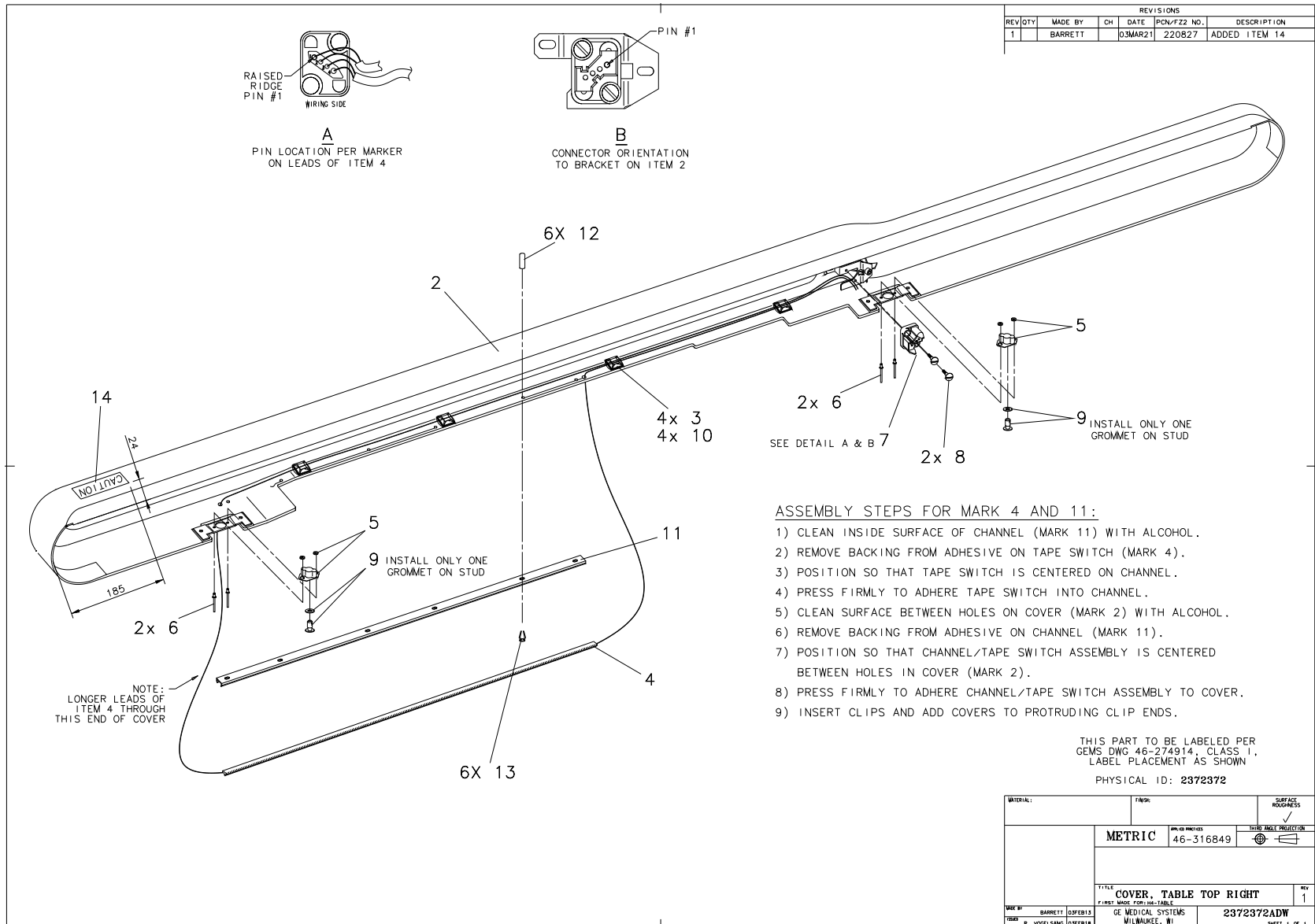


Figure 2-8 Cover Table Top Right (2372372, sheet 1, rev 1)

MARK	NUMBER	QTY	FRU	DESCRIPTION/NAME
3	46-208747P1	4.000	Yes	CABLE TIE,ADH.BACKED
4	46-297698P3	1.000	Yes	27" HIGH PROFILE BEAD, RI
5	46-297329P1	2.000	Yes	1/4 TURN RECEPTACLE WITH
6	46-220186P20	4.000	Yes	1/8" 120 DEGREE COUNTERSU
7	46-297721P1	1.000	Yes	4-POS PLUG HOUSING (DRAWE
8	46-158905P16	2.000	Yes	MOUNTING SCREW FOR DRAWER
9	46-297328P2	2.000	Yes	1/4 TURN STUD AND TWO GRO
10	46-208758P1	4.000	Yes	3.62" X .094" CABLE TIE
11	2372346	1.000	Yes	CHANNEL TAPESWITCH
2	2372351	1.000	No	COVER, TOP RIGHT
12	2363367	6.000	No	VINYL CAP 1/8 INCH
13	2363369	6.000	No	T SHAPE HEAD STEEL CLIP
14	2199652	1.000	No	P9235LZ LABEL

Table 2-7 Cover Table Top Left (2372372 BOM, rev 1)

1.6 Metalless Cradle (2115992-2)

FRU = YES

MARK	NUMBER	QTY	FRU	DESCRIPTION/NAME
4	2268003	2.000	Yes	10-32 X .437 LONG, FLAT H
5	2222889-2	1.000	Yes	KEEPER FOR SELF-CATCHING
3A	2285525-2	1.000	No	RATING PLATE
3B	46-302200P7	ALT	No	SERIAL #, MODEL#
6	2112870-2	1.000	No	METALLESS CRADLE WITH VEL
7	46-303268P1	1.000	No	PRODUCT LOCATOR CARD FORM

Table 2-8 Metalless Cradle (2115992-2 BOM, rev 0)

This Page Intentionally Blank.

1.7 Table Subassembly (2269166)

FRU = NO

USED ON:
2269165

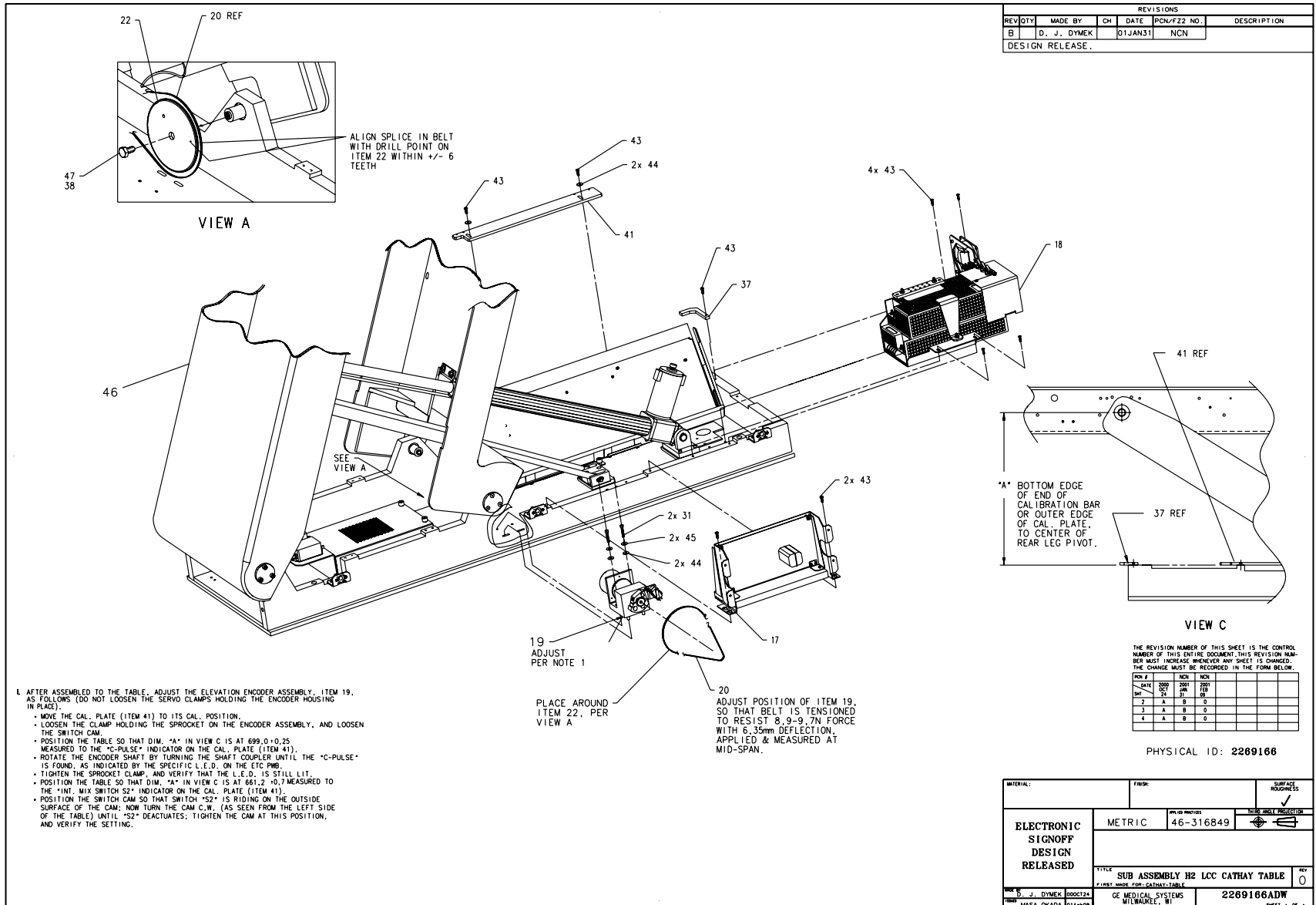


Figure 2-9 Table Subassembly (2269166, sheet 1, rev 0)

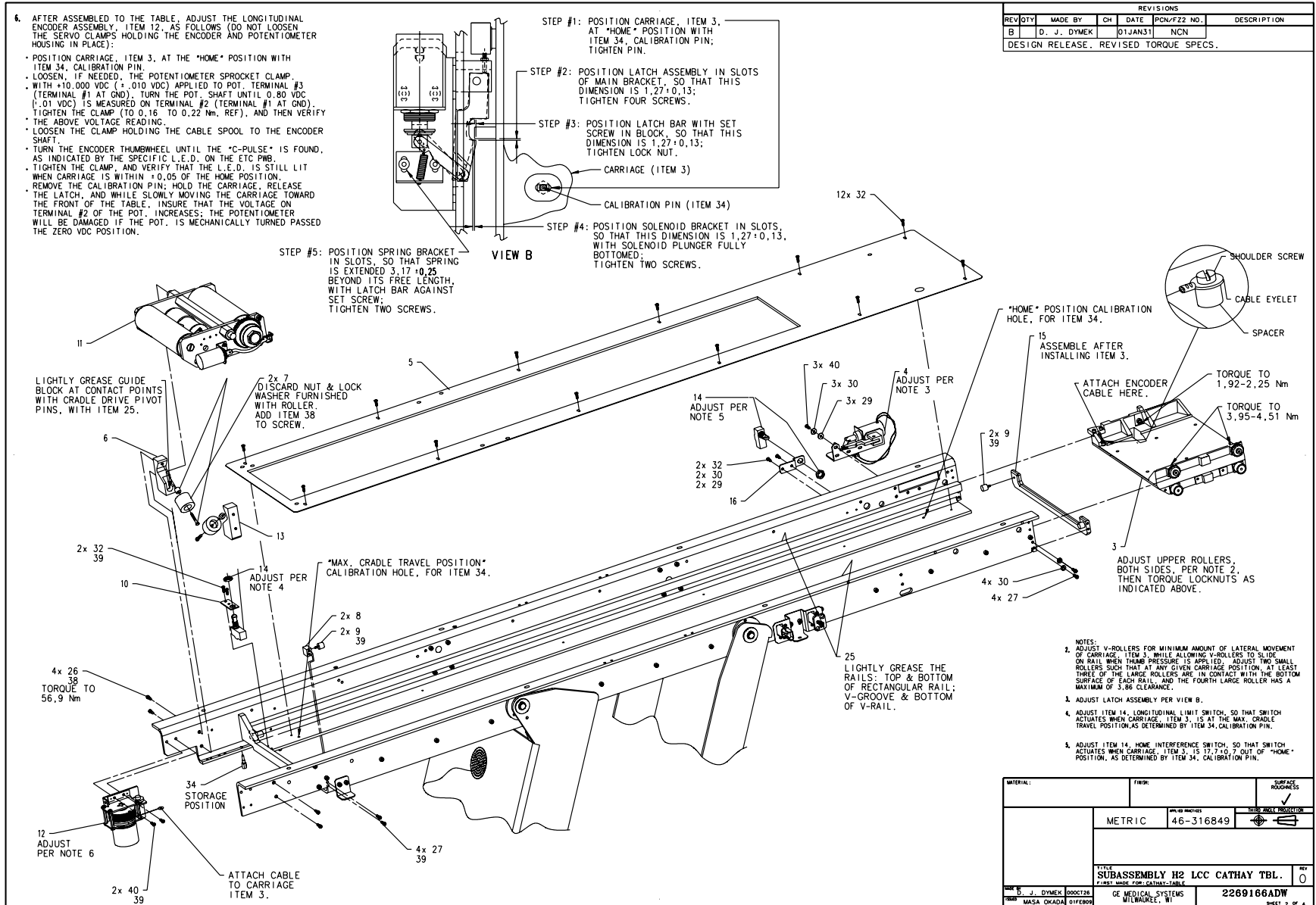


Figure 2-10 Table Subassembly (2269166, sheet 2, rev 0)

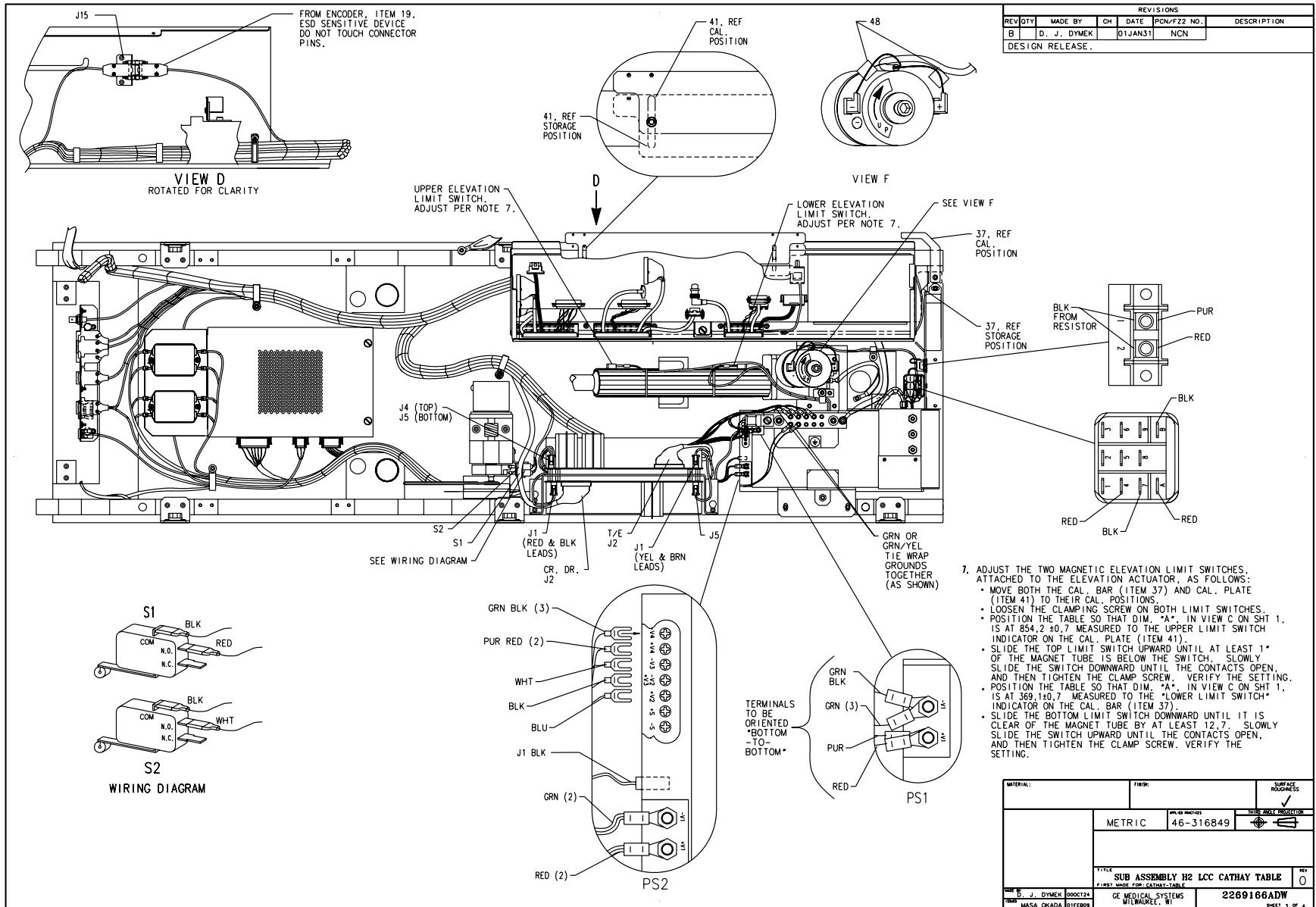


Figure 2-11 Table Subassembly (2269166, sheet 3, rev 0)

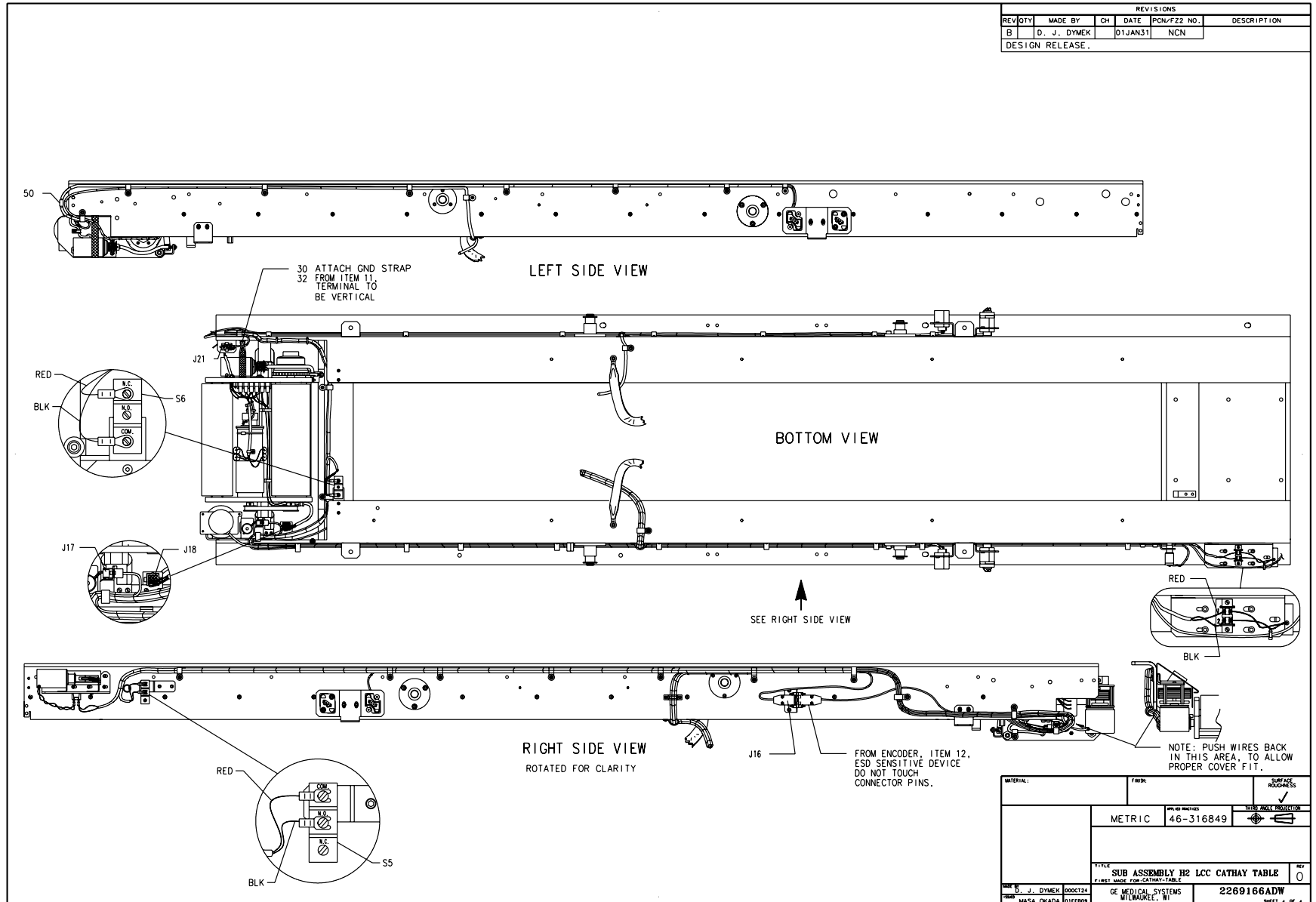


Figure 2-12 Table Subassembly (2269166, sheet 4, rev 0)

MARK	NUMBER	QTY	FRU	DESCRIPTION/NAME
3	2269168	1.000	Yes	CARRIAGE ASSEMBLY FOR CAT {For further detail, see Section 1.7.1 , beginning on page 72.}
4	2269177	1.000	Yes	LATCH ASSEMBLY FOR CATHAY {For further detail, see Section 1.7.2 , beginning on page 74.}
7	46-296370P1	2.000	Yes	ROLLER
11	2269169	1.000	Yes	CRADLE DRIVE ASM FOR CATH {For further detail, see Section 1.7.3 , beginning on page 76.}
12	2269175	1.000	Yes	LONGITUDINAL ENCODER ASM {For further detail, see Section 1.7.4 , beginning on page 82.}
14	46-136334P23	2.000	Yes	SPDT, 15A @125/250VAC BAS
19	2269173	1.000	Yes	ELEVATION ENCODER ASM FOR {For further detail, see Section 1.7.7 , beginning on page 92.}
20	46-170047P7	1.000	Yes	125 PITCHES 19.635 LENG
32	2146815-2	17.000	Yes	10-32 X 3/8 HEX SOC BUTTO
34	2265877	1.000	Yes	CALIBRATION PIN (REF 46-2
48	46-276217P2	2.000	Yes	FERRITE BEADS/FILTERS
50	46-276217P3	1.000	Yes	FERRITE BEADS/FILTERS
5	2261680	1.000	No	PLATE, TABLE TOP, (REF 46
6	2265867	1.000	No	BLOCK GUIDE ROLLER (REF 4
8	2261723	2.000	No	BLOCK, BUMPER, (REF 46-27
9	46-221597P2	4.000	No	MINOR VBM-3003 NAT RUBBER
10	2265854	1.000	No	PLATE, SWITCH (REF 46-278
13	2265867-2	1.000	No	WIDE GROOVE ROLLER (REF 4
15	2261679	1.000	No	BRACE, REAR (REF 46-29681
16	2261698	1.000	No	BRACKET, SWITCH, (REF 46-
17	46-297059G1	1.000	No	SERVO ASM {For further detail, see Section 1.7.5 , beginning on page 86.}
18	2269172	1.000	No	POWER SUPPLY ASM FOR CATH {For further detail, see Section 1.7.6 , beginning on page 88.}

Table 2-9 Table Subassembly (2269166 BOM, rev 2)

MARK	NUMBER	QTY	FRU	DESCRIPTION/NAME
22	46-296626P1	1.000	No	LARGE GEAR
25	46-170623P2	AR	No	BLACK, HEAVY-DUTY LUBRICA
26	46-170498P54	4.000	No	SCREW
27	46-170498P13	8.000	No	SCREW
29	12-276	5.000	No	ID 0.2040 OD 0.5630 THK .
30	46-220181P5	10.000	No	WASHER #10 (.190) SCREW S
31	46-328417P15	2.000	No	SCREW HEXAGON SOCKET 6 MM
37	2261701	1.000	No	BAR, CALIBRATION, (REF 46
38	46-170684P2	AR	No	LOCTITE 271, 10CC BOTTLE
39	46-170686P2	AR	No	LOCTITE 242, 10CC
40	2146815	5.000	No	10-32 X 1/2 HEX SOC BUTTO
41	2261724	1.000	No	CAL PLATE FOR H2 LCC CATH
43	46-328417P12	9.000	No	SCREW HEXAGON SOCKET 6 MM
44	12-275	4.000	No	WASHER, ID .2656, OD.75,
45	46-328432P3	2.000	No	WASHER LOCK - SPRING 6.1
46	2269174	1.000	No	FRAME ASSEMBLY FOR H2 LCC {For further detail, see Section 1.7.8 , beginning on page 96 .}
47	46-170015P28	1.000	No	SCREW

Table 2-9 Table Subassembly (2269166 BOM, rev 2) (Continued)

1.7.1 Carriage Assembly (2269168)

FRU = YES

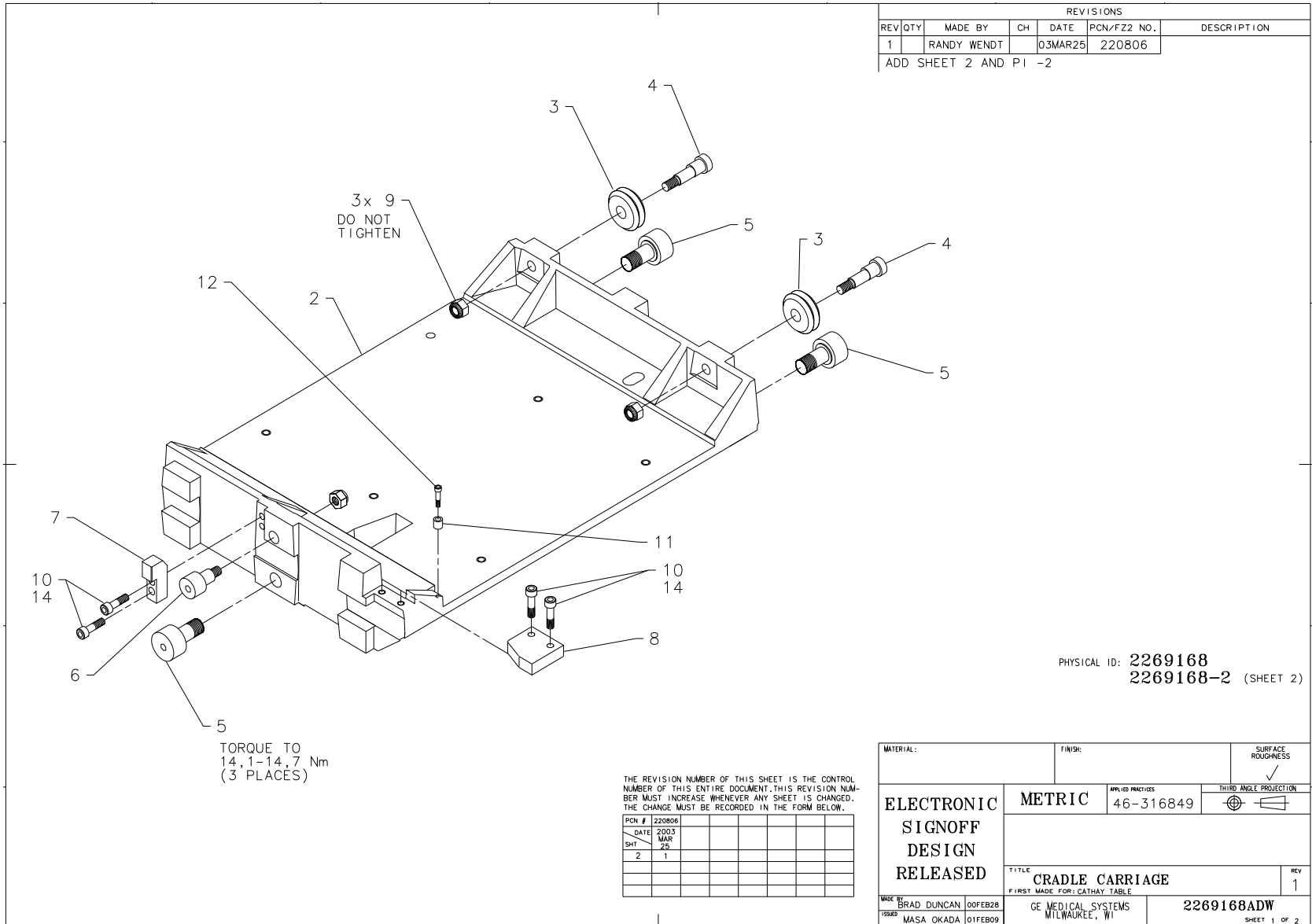


Figure 2-13 Carriage Assembly (2269168, sheet 1, rev 1)

MARK	NUMBER	QTY	FRU	DESCRIPTION/NAME
3	46-218193P1	2.000	Yes	WHEEL DIA 01.21 WIDTH 0.4
5	46-208580P6	3.000	Yes	CAM FOLLOWER
6	46-208580P19	1.000	Yes	CAM FOLLOWER
10	46-170498P2	4.000	Yes	SCREW
12	46-170024P4	1.000	Yes	SCREW-INCH
2	2262161-2	1.000	No	CRADLE CARRIAGE MACH.(REF
4	2264566	2.000	No	STUD, ECCENTRIC (REF 46-2
7	2261695	1.000	No	LATCH ACTUATOR, (REF 2133
8	2264561	1.000	No	ACTU., LONG.LIMIT SWITCH(
9	46-170012P77	3.000	No	LOCK NUT, 1/4-28, .437 X
11	2264577	1.000	No	SPACER, 6.35MM THK (REF 4
14	46-170686P2	AR	No	LOCTITE 242, 10CC

Table 2-10 Carriage Assembly (2269168 BOM, rev 1)

1.7.2 Latch Assembly (2269177)

FRU = YES

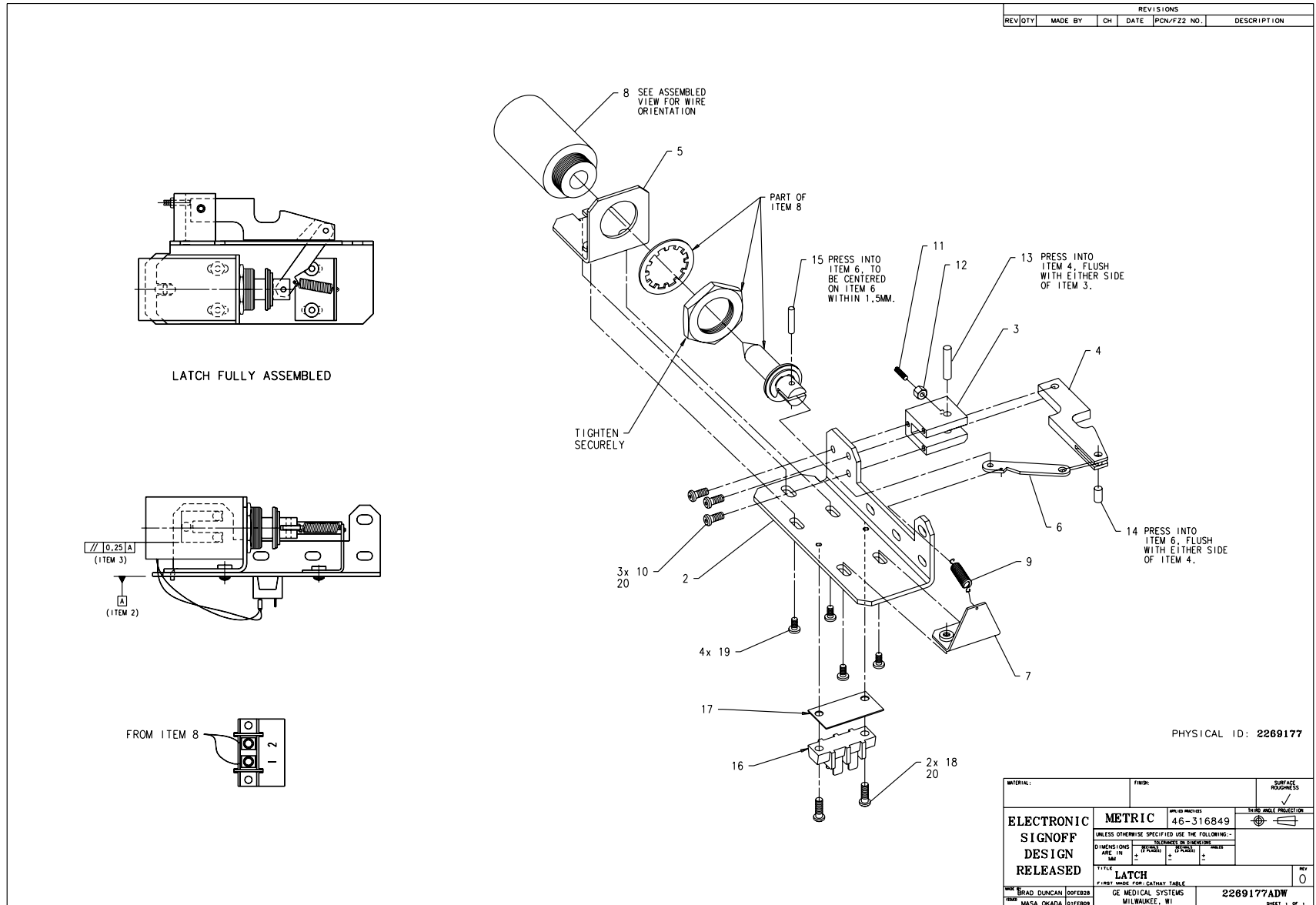


Figure 2-14 Latch Assembly (2269177, sheet 1, rev 0)

MARK	NUMBER	QTY	FRU	DESCRIPTION/NAME
8	46-296972G1	1.000	Yes	SOLENOID ASM
2	2261672	1.000	No	BRKT, TABLE HOME LATCH,(R
3	2261697	1.000	No	BLK,PVT, HOME LATCH(REF 4
4	2261721	1.000	No	BAR, (REF 46-278154P1)
5	2261725	1.000	No	BRKT, LATCH ASM, (REF 46-
6	2261715	1.000	No	ARM, (REF 46-278495P1)
7	2261681	1.000	No	BRACKET, SPRING, (REF 46-
9	46-170490P54	1.000	No	SPRING-INCH EXTENSION 1 I
10	46-170497P36	3.000	No	SCREW
11	46-208732P14	1.000	No	SCREW
12	46-170012P63	1.000	No	0010-32 HEX .375 NUT HT
13	46-170020P80	1.000	No	NOMINAL DIA 0.250 X 0.750
14	46-170020P66	1.000	No	NOMINAL DIA 0.125 X 0.250
15	46-170020P85	1.000	No	NOMINAL DIA 0.125 X 0.75
16	403B335P17	1.000	No	02 POSITION TERMINAL STRI
17	403B320P94	1.000	No	2 POSITION MARKER STRIP,
18	46-170497P38	2.000	No	SCREW
19	46-170497P7	4.000	No	SCREW
20	46-170686P2	AR	No	LOCTITE 242, 10CC

Table 2-11 Latch Assembly (2269177 BOM, rev 0)

1.7.3 Cradle Drive Assembly (2269169)

FRU = YES

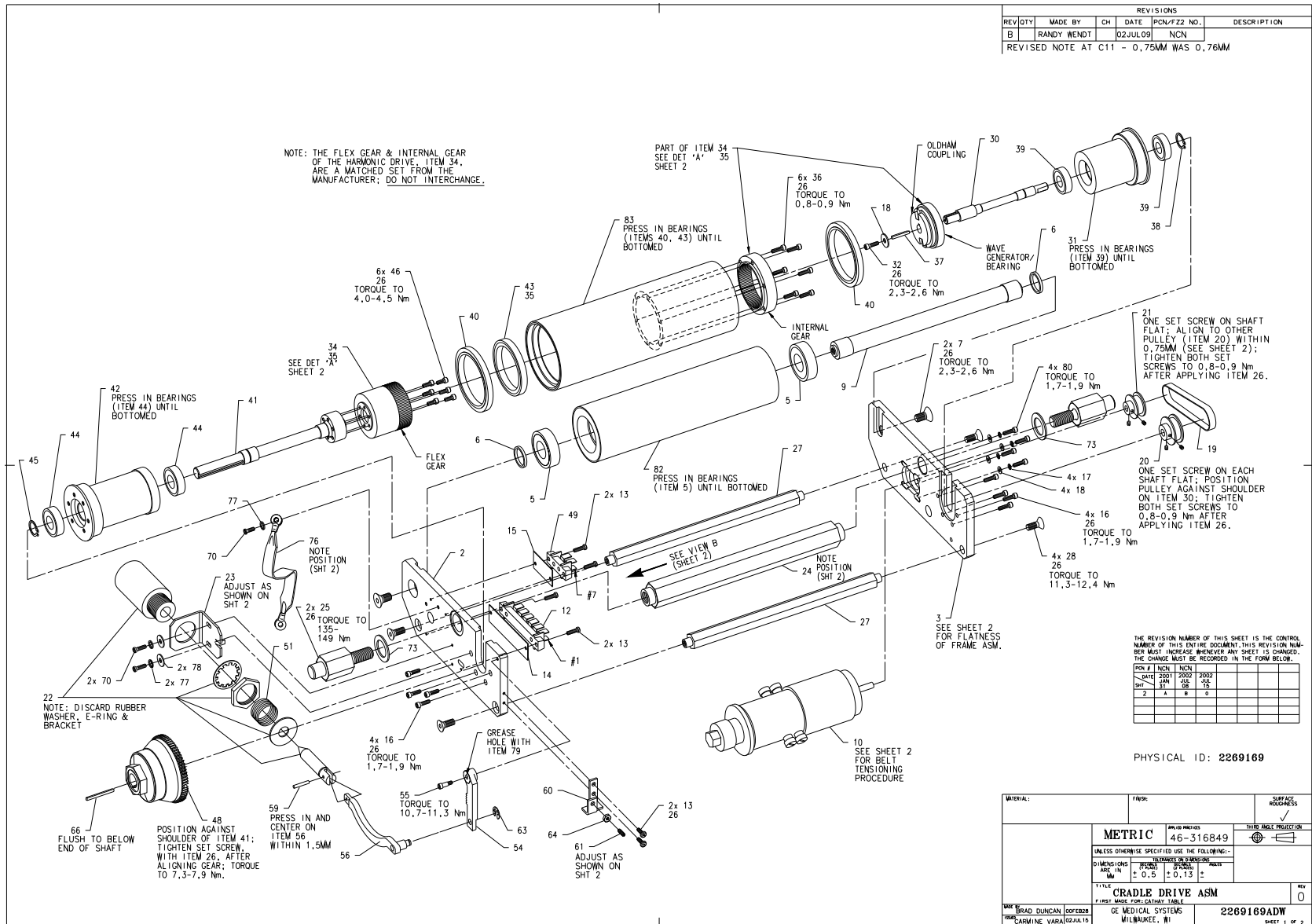


Figure 2-15 Cradle Drive Assembly (2269169 sheet 1, rev 0)

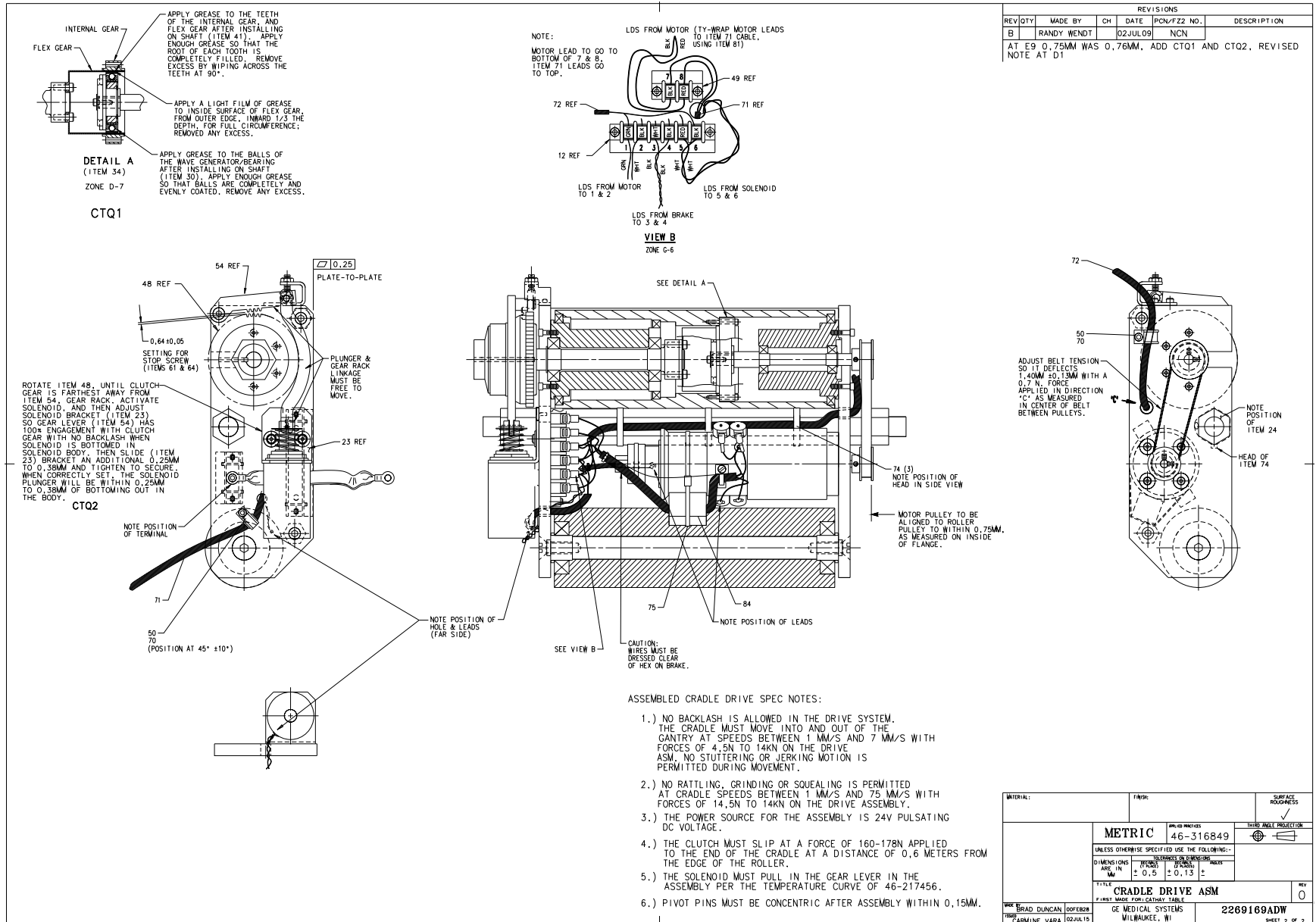


Figure 2-16 Cradle Drive Assembly (2269169 sheet 1, rev 0)

MARK	NUMBER	QTY	FRU	DESCRIPTION/NAME
19	46-221532P18	1.000	Yes	PITCH 1/5 WIDTH 00.250
22	46-296972G1	1.000	Yes	SOLENOID ASM
59	46-311873P8	1.000	Yes	PIN, M3 X 18
2	2265831	1.000	No	END PLATE, LH (REF 46-296
3	2265832	1.000	No	END PLATE, RH (REF 46-296
5	46-136282P30	2.000	No	BEARING BALL, SINGLE RO 2
6	46-212989P2	2.000	No	WASHER
7	46-208562P8	2.000	No	SCREW 3/8X16X1" FLAT HEAD
9	2265818	1.000	No	IDLER SHAFT (REF 46-29603
10	46-278575P1	1.000	No	SERVO MOTOR
12	403B335P10	1.000	No	06 POSITION TERMINAL STRI
13	46-170497P38	6.000	No	SCREW
14	403B320P86	1.000	No	NUMBERS 1 THU 6, LEFT TO
15	403B320P97	1.000	No	2 POSITION MARKER ST
16	46-170498P80	8.000	No	SCREW
17	46-220181P3	4.000	No	WASHER HELICAL#6 SCREW SI
18	1000904P116	5.000	No	ID 0.1495 OD 0.6250 THK .
20	46-170576P7	1.000	No	PITCH 1/5 TEETH 0L6 FAC
21	46-170576P6	1.000	No	PITCH 1/5 TEETH 013 FAC
23	2261718	1.000	No	BRACKET, SOLENOID, (REF 4
24	2265829	1.000	No	SPACER BAR (REF 46-296063
25	2265830	2.000	No	PIVOT PIN (REF 46-296064P
26	46-170686P2	AR	No	LOCTITE 242, 10CC
27	2265833	2.000	No	SUPPORT BAR (REF 46-29607
28	46-208562P7	4.000	No	SCREW
30	2265826	1.000	No	SHAFT (REF 46-296048P1)
31	2265824	1.000	No	BEARING SUPPORT (REF 46-2

Table 2-12 Cradle Drive Assembly (2269169 BOM, rev 2)

MARK	NUMBER	QTY	FRU	DESCRIPTION/NAME
32	46-170498P79	1.000	No	SCREW
34A	46-222894P1	1.000	No	USM CORP HDC3C-86-2BL
34B	2361751	ALT	No	HARMONIC DRIVER
35	46-221451P1	AR	No	EXXON BEACON 325 35 LB P
36	46-170498P115	6.000	No	SCREW
37	2265865	1.000	No	KEY 2.38SQX15MMLG (REF 46
38	46-220179P8	1.000	No	EXT AXIAL MOUNT 0.375 SHA
39	46-136282P33	2.000	No	BEARING
40	46-136294P9	2.000	No	BEARING
41	2265834	1.000	No	SHAFT (REF 46-296110P1)
42	2265825	1.000	No	BEARING SUPPORT (REF 46-2
43	46-136303P10	1.000	No	BEARING
44	46-136282P62	2.000	No	BEARING BALL, SINGLE RO 1
45	46-220179P34	1.000	No	EXT AXIAL MOUNT 0.669 SHA
46	46-170498P84	6.000	No	SCREW, CAP SOCKET HEAD 8-
48	46-296368G1	1.000	No	
49	403B335P17	1.000	No	02 POSITION TERMINAL STRI
50	46-208718P2	2.000	No	5/16 ID LOOP TYPE TA MFG
51	509A859P69	1.000	No	SPRING-INCH COMPRESSION 1
54A	46-297397P1	1.000	No	
54B	2265852-2	ALT	No	GEAR, LEVER, MACHINING (4
55	46-297820P1	1.000	No	SHOULDER SCREW
56	2261694	1.000	No	CLUTCH LINK BAR, (REF 46-
60	2261717	1.000	No	BRACKET, STOP, (REF 46-29
61	46-221560P4	1.000	No	SCREW
63	46-220277P6	1.000	No	EXT RADIAL MOUNT 0.219 SH
64	46-170012P63	1.000	No	0010-32 HEX .375 NUT HT
66	2265865-2	1.000	No	KEY 4.76SQX50MMLG

Table 2-12 Cradle Drive Assembly (2269169 BOM, rev 2) (Continued)

MARK	NUMBER	QTY	FRU	DESCRIPTION/NAME
70	46-170497P7	5.000	No	SCREW
71	46-297117G1	1.000	No	CRDR PWR CBL
72	46-297118G1	1.000	No	CRDR SIG CBL
73	1000904P514	2.000	No	I.D. 0.789 O.D. 1.100
74	46-208758P3	3.000	No	7.31" X .184" SELF-LOCKIN
75	46-208758P9	1.000	No	11.08"X .140" SELF-LOCKIN
76	46-297155G1	1.000	No	ZEUS TABLE, 9" LONG CABLE
77	46-220181P5	3.000	No	WASHER #10 (.190) SCREW S
78	12-276	2.000	No	ID 0.2040 OD 0.5630 THK .
79	46-170623P2	AR	No	BLACK, HEAVY-DUTY LUBRICA
80	46-170498P78	4.000	No	SCREW
81	46-208758P10	1.000	No	8.00" X .094" SELF-LOCKIN
82A	2134525	1.000	No	ZEUS TABLE CRADLE DRIVE;
82B	2134525-2	ALT	No	ZEUS TABLE CRADLE DRIVE;
82C	2265827-2	ALT	No	IDLER ROLLER, NEW (REF 21
82D	2265827-3	ALT	No	IDLER ROLLER RECYCLD (REF
83A	2134526	1.000	No	ZEUS TABLE CRADLE DRIVE;
83B	2134526-2	ALT	No	ZEUS TABLE CRADLE DRIVE;
83C	2265820-2	ALT	No	DRIVE ROLLER,NEW (REF 213
83D	2265820-3	ALT	No	DRIVE ROLLER RECYCLD (REF

Table 2-12 Cradle Drive Assembly (2269169 BOM, rev 2) (Continued)

This Page Intentionally Blank.

1.7.4 Longitudinal Encoder Asm (2269175)

FRU = YES

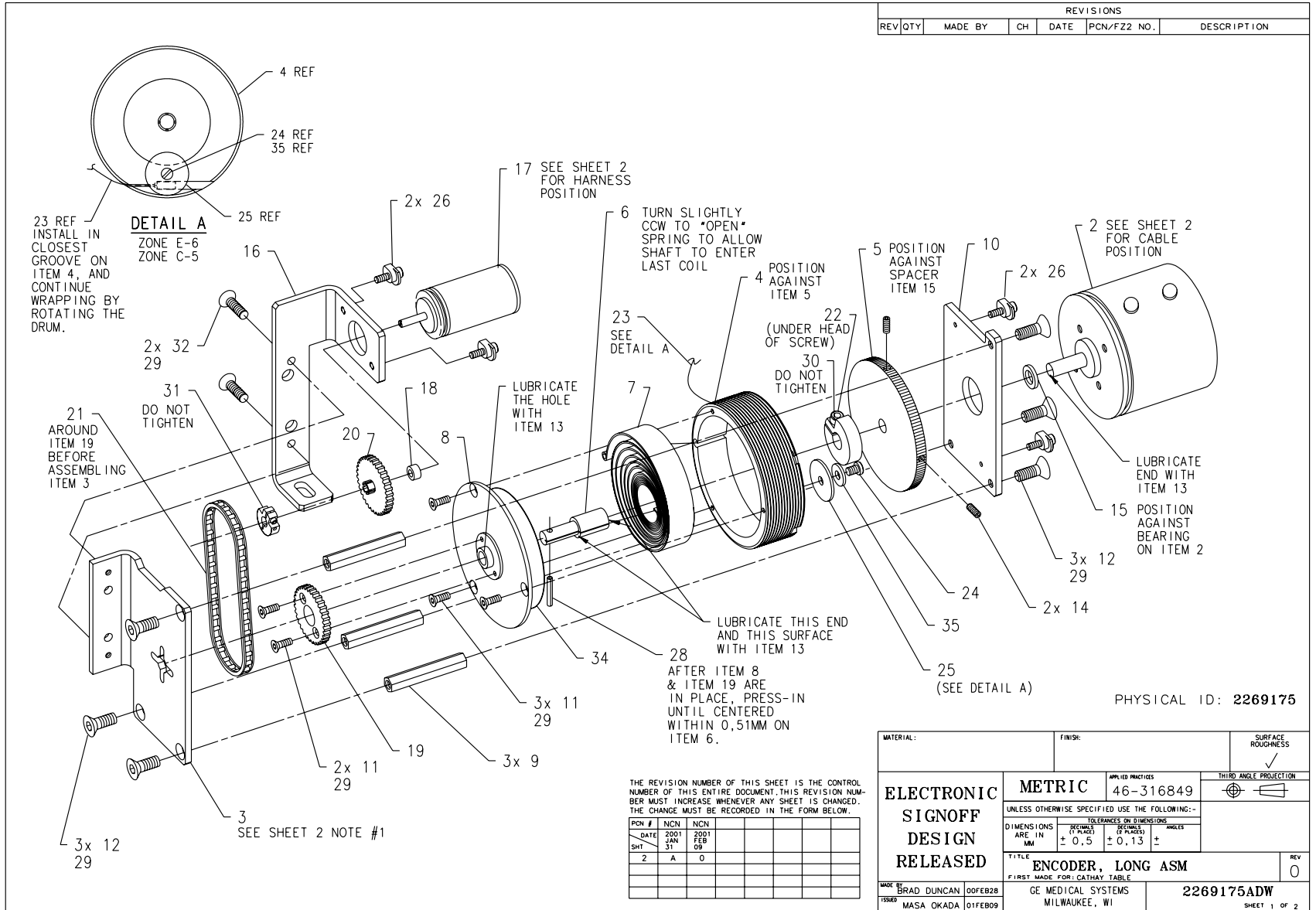


Figure 2-17 Longitudinal Encoder Asm (2269175, sheet 1, rev 0)

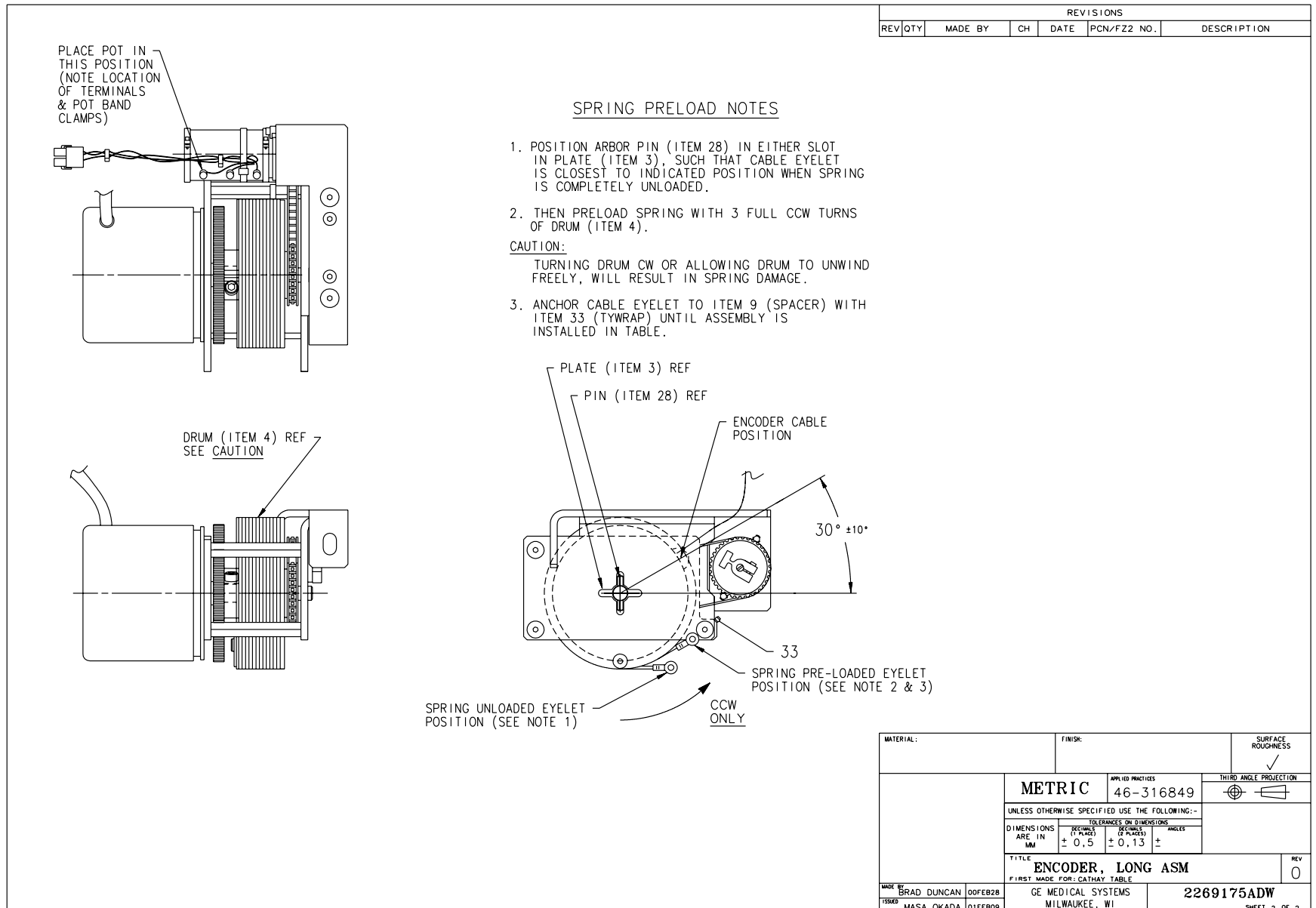


Figure 2-18 Longitudinal Encoder Asm (2269175, sheet 2, rev 0)

MARK	NUMBER	QTY	FRU	DESCRIPTION/NAME
17	46-297036G2	1.000	Yes	POT ASSEMBLY
21	46-286100P5	1.000	Yes	75 PITCHES, 7.365 INCH LE
23	46-296781P1	1.000	Yes	CABLE
32	46-208562P36	2.000	Yes	SCREW
2	46-296854P2	1.000	No	2.5 INCH, 2048 COUNT.REV
3	2261719	1.000	No	BRKT, LG ENCDR ASM (REF 4
4	2265255	1.000	No	CABLE DRUM (REF 46-296168
5	2265313	1.000	No	THUMB WHEEL (REF 46-29616
6	2265260	1.000	No	SHAFT, SPRING REEL (REF 4
7	46-296171P1	1.000	No	SPRING COIL
8	2265257	1.000	No	COVER, SPRING REEL (REF 4
9	2265256	3.000	No	SPACER (REF 46-296173P1)
10	2261716	1.000	No	MNTING PLATE ENCD,(REF 46
11	46-208562P13	5.000	No	SCREW
12	46-208562P24	6.000	No	SCREW
13	46-170623P2	AR	No	BLACK, HEAVY-DUTY LUBRICA
14	46-208894P1	2.000	No	SCREW
15	2264577-2	1.000	No	SPACER, 4.24MM THK (REF 4
16	2261707	1.000	No	BRKT, POTENTIOMETER(REF 4
18	2329244-2	1.000	No	SPACER
19	46-296438P1	1.000	No	SPROCKET MOD
20	46-296627P4	1.000	No	SPROCKET
22	46-297539P2	1.000	No	NO. 6 HI-COLLAR SPRING,
24	46-170497P42	1.000	No	SCREW
25	12-1723	1.000	No	ID 0.1590 OD 0.7500 THK .
26	46-296780P2	4.000	No	SYN-CLAMP
28	46-208735P38	1.000	No	SPLIT LENGTHWISE .094 DIA

Table 2-13 Longitudinal Encoder Asm (2269175 BOM, rev 1)

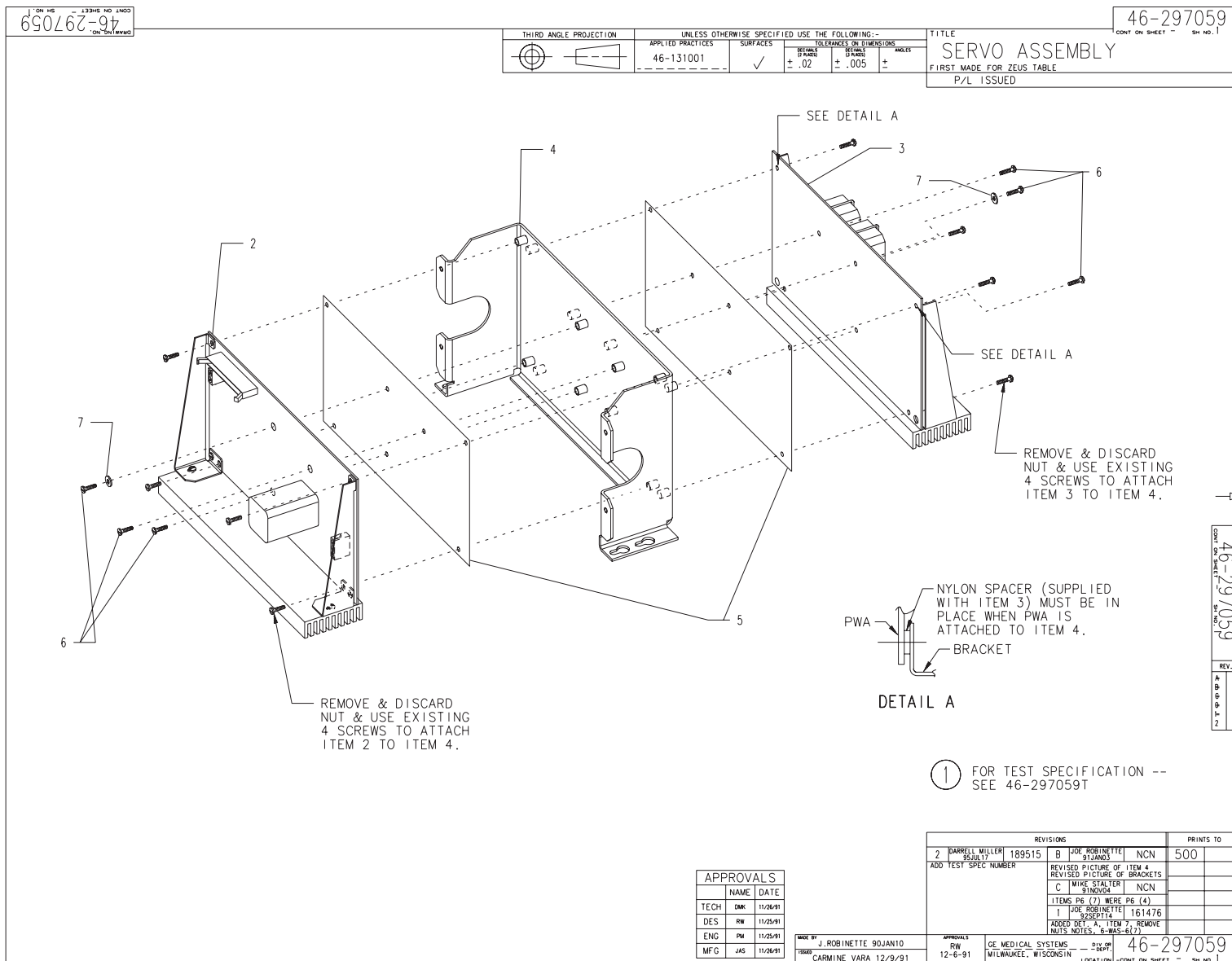
MARK	NUMBER	QTY	FRU	DESCRIPTION/NAME
29	46-170686P2	AR	No	LOCTITE 242, 10CC
30	46-170528P23	1.000	No	SHAFT SIZE .250 MAT 2024-
31	46-170528P70	1.000	No	CLAMP
33	46-208758P1	1.000	No	3.62" X .094" CABLE TIE
34	2335271	1.000	No	TEFLON SPACE
35	46-297539P2	1.000	No	NO. 6 HI-COLLAR SPRING,

Table 2-13 Longitudinal Encoder Asm (2269175 BOM, rev 1) (Continued)

1.7.5 Servo Assembly (46-297059G1)

FRU = NO

USED ON:
2269166,
2271241



46-297059
CONT. ON SHEET -- SH NO. 1

THIRD ANGLE PROJECTION	UNLESS OTHERWISE SPECIFIED USE THE FOLLOWING:--			TOLERANCES ON DIMENSIONS			ANGLES		
	APPLIED PRACTICES	SURFACES	DECIMAL PLACES	FRACTIONS	DECIMAL PLACES	ANGLES			
	46-131001	✓	± .02	± .005	±	±			

TITLE	
SERVO ASSEMBLY	
FIRST MADE FOR ZEUS TABLE	
P/L ISSUED	

46-297059
CONT. ON SHEET -- SH NO. 1

46-297059
CONT. ON SHEET -- SH NO. 1

APPROVALS	
NAME	DATE
TECH DMK	11/26/91
DES RW	11/25/91
ENG PM	11/25/91
MFG JAS	11/26/91

MADE BY	J. ROBINETTE 90JAN10
ISSUE	CARMINE VARA 12/9/91

REVISIONS			PRINTS TO
2	DARRELL MILLER 95JUL17	189515	500
ADD TEST SPEC NUMBER			
REVISED PICTURE OF ITEM 4			
REVISED PICTURE OF BRACKETS			
C	MIKE STALTER 91NOV08	NCN	
ITEMS P6 (7) WERE P6 (4)			
1	JOE ROBINETTE 90SEP14	161476	
ADDED DET. A, ITEM 2, REMOVE NUT'S NOTES. 8-8AS-8(2)			

1 FOR TEST SPECIFICATION -- SEE 46-297059T

46-297059
CONT. ON SHEET -- SH NO. 1

Figure 2-19 Servo Assembly (46-297059, sheet 1, rev 2)

MARK	NUMBER	QTY	FRU	DESCRIPTION/NAME
2	46-264370G1	1.000	Yes	CRADLE AMP
3	46-288170G1	1.000	Yes	ELEV/TILT AMP
1	46-297059	0.000		
4	46-296983P1	1.000	N	CIRCUIT BOARD BRACKET
5	46-297060P1	2.000	N	WHEEL ENCODE
6	46-208560P27	6.000	N	SCREW
7	46-230523P6	2.000	N	MOLDED NYLON FLAT WA
8	46-297059T	0.000		TEST SPECIFICATION FOR TH

Table 2-14 Servo Assembly (46-297059G1 BOM, rev 3)

1.7.6 Power Supply Assembly (2269172)

FRU = NO

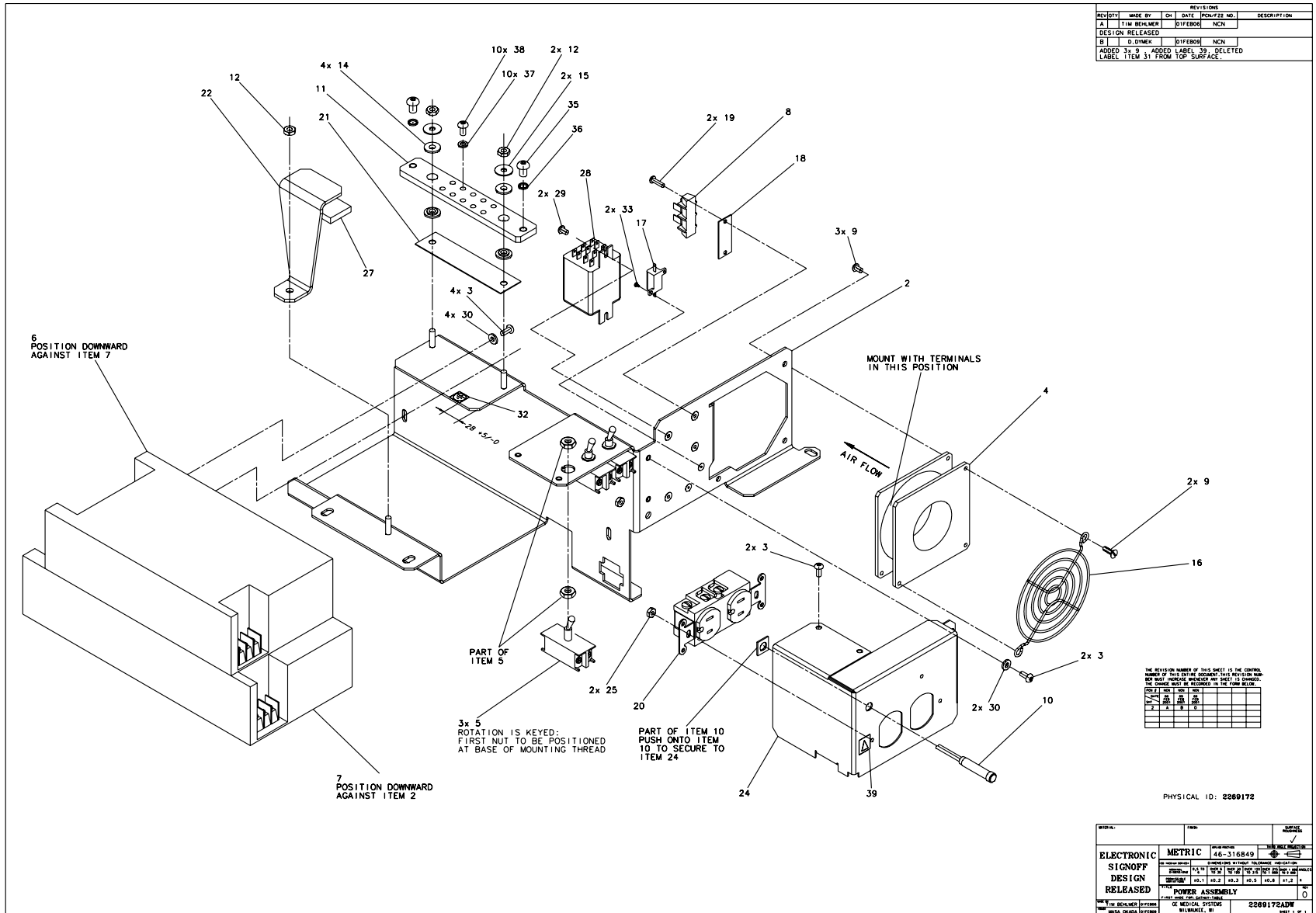


Figure 2-20 Power Supply Assembly (2269172, sheet 1, rev 0)

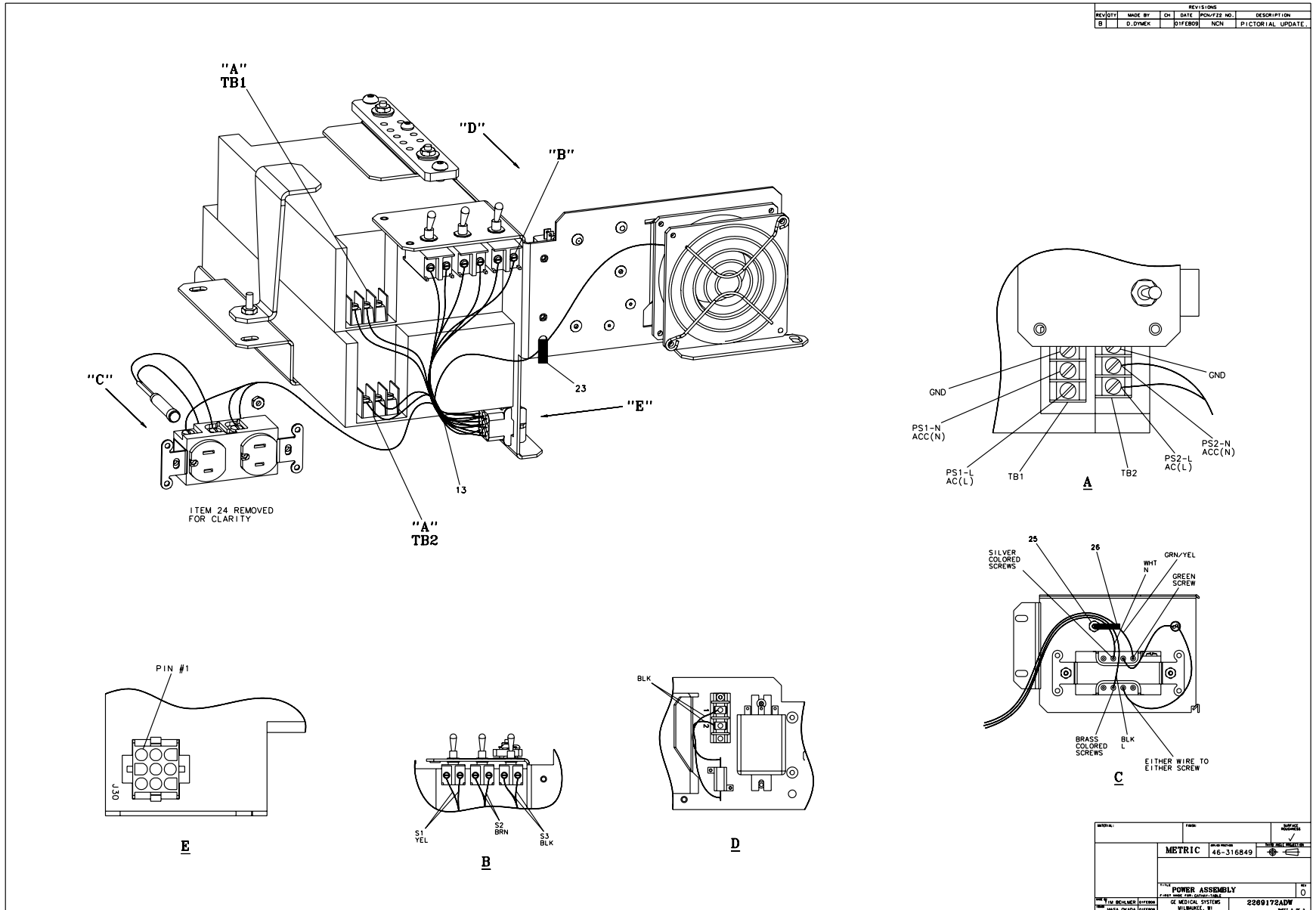


Figure 2-21 Power Supply Assembly (2269172, sheet 2, rev 0)

MARK	NUMBER	QTY	FRU	DESCRIPTION/NAME
4	46-229455P1	1.000	Yes	FAN TUBEAXIAL
5	46-297093P1	3.000	Yes	SPST, AC/DC TOGGLE S
6	46-296316P2	1.000	Yes	EMC POWER SUPPLY SINGLE O
7	46-296317P3	1.000	Yes	OBC-STC & TABLE EMC POWER
10	46-221914P3	1.000	Yes	INDICATOR LIGHT W/ BUILT-
20	46-278446P1	1.000	Yes	15A, 125VAC, 2 POLE, 3 WI
28	46-170053P13	1.000	Yes	3PDT, 12V DC RELAY (EN
2	2261684	1.000	No	BRKT, PWR SUPPLY, (REF 46
3	46-170497P6	8.000	No	SCREW
8	403B335P17	1.000	No	02 POSITION TERMINAL STRI
9	46-208734P26	5.000	No	SCREW
11	2264567	1.000	No	BAR, WIRE GROUND (REF 46-
12	46-170012P63	3.000	No	0010-32 HEX .375 NUT HT
13	46-297088G1	1.000	No	POWER ASSEMBLY HARNESS
14	512A720P16	4.000	No	ID .219 OD .562 THK .11
15	1000904P329	2.000	No	ID 0.1960 OD 0.6250 THK .
16	46-220489P2	1.000	No	FAN ACCESSORIES FINGER GU
17	46-297734G1	1.000	No	RESISTOR ASM
18	403B320P94	1.000	No	2 POSITION MARKER STRIP,
19	46-170497P38	2.000	No	SCREW
21	46-297325P1	1.000	No	FISHPAPER
22	2261687	1.000	No	BRKT, PWR SUPPLY, (REF 46
23	46-208758P1	1.000	No	3.62" X .094" CABLE TIE
24	2264568	1.000	No	CVR, SERVICE OUTLET(REF 4
25	46-170012P61	3.000	No	0006-32 HEX .313 NUT HT
26	46-208759P6	1.000	No	7.81" X .184" SELF-LOCKIN
27	46-170171P22	AR	No	TAPE OLD

Table 2-15 Power Supply Assembly (2269172 BOM, rev 0)

MARK	NUMBER	QTY	FRU	DESCRIPTION/NAME
29	46-170497P58	2.000	No	SCREW
30	1000904P33	6.000	No	ID 0.173 OD 0.375 THK .
32	46-271110P1	1.000	No	LABEL, PROTECTIVE EARTH (
33	46-208560P53	2.000	No	SCREW
35	46-170497P64	1.000	No	SCREW
36	46-220181P6	1.000	No	1/4" SCREW SIZE (0.250),
37	46-220181P5	10.000	No	WASHER #10 (.190) SCREW S
38	46-170497P7	10.000	No	SCREW
39	46-271110P6	1.000	No	"READ ALL APPLICABLE DOCU

Table 2-15 Power Supply Assembly (2269172 BOM, rev 0) (Continued)

1.7.7 Elevation Encoder Assembly (2269173)

FRU = YES

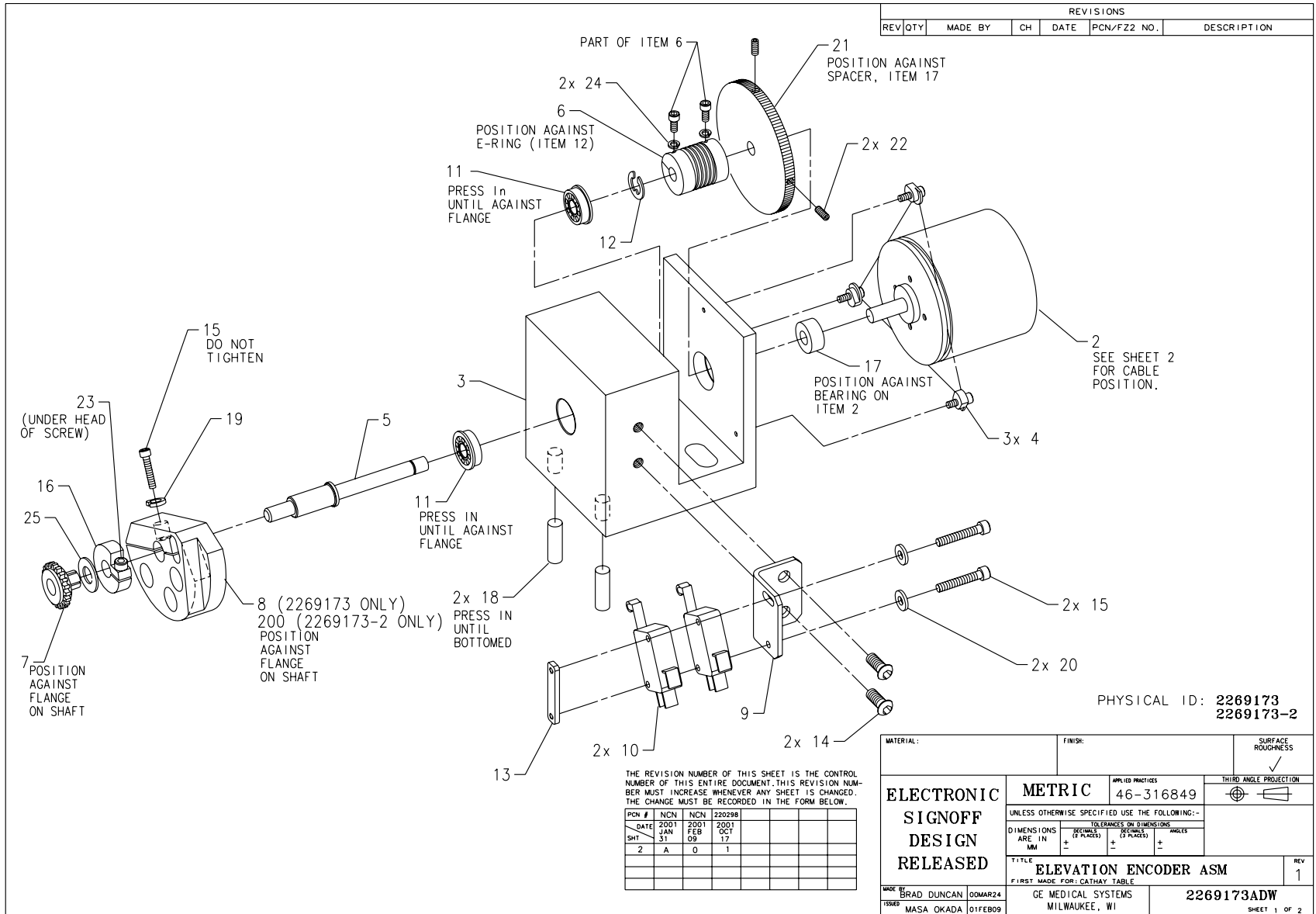


Figure 2-22 Elevation Encoder Assembly (2269173, sheet 1, rev 1)

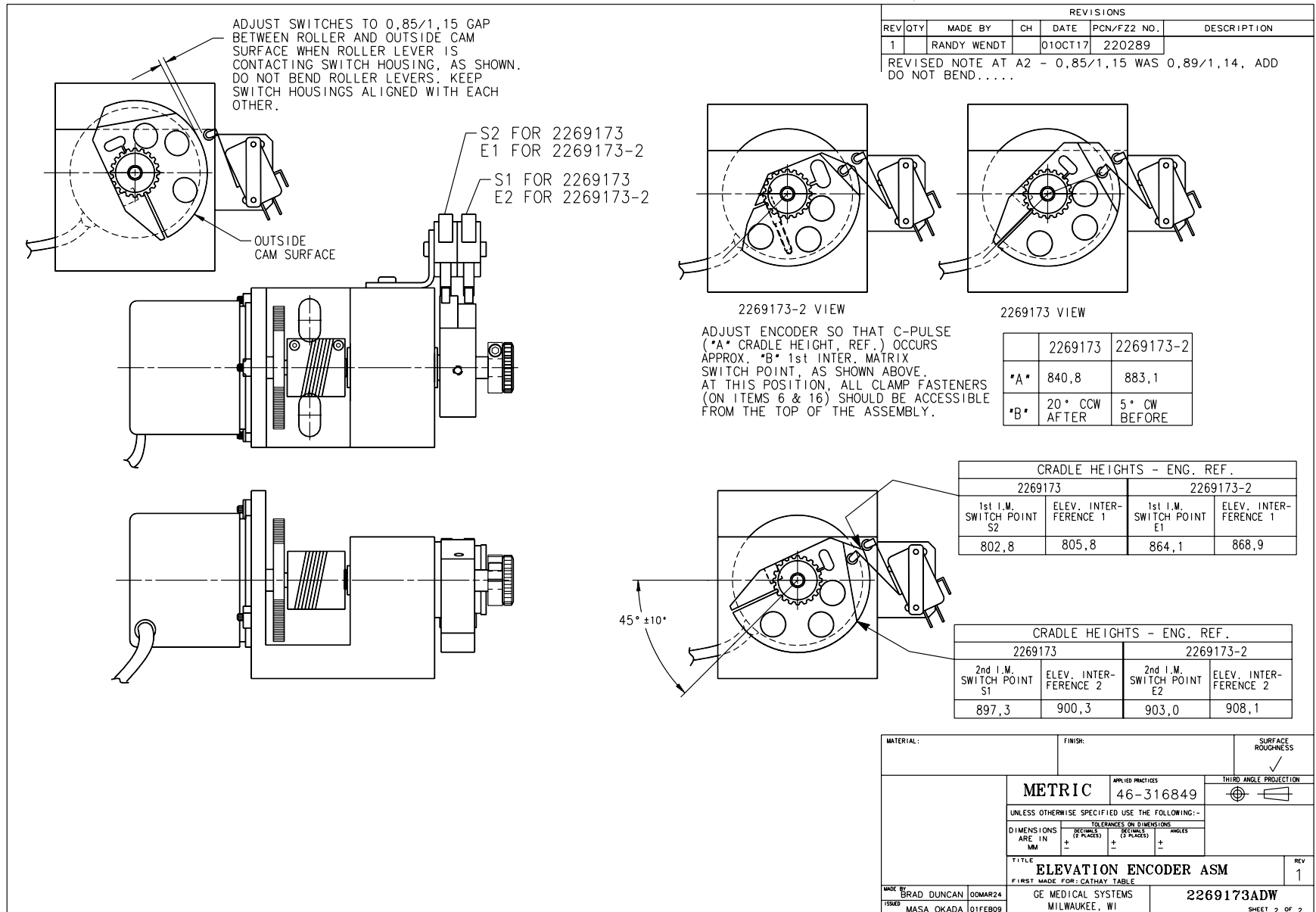


Figure 2-23 Elevation Encoder Assembly (2269173, sheet 2, rev 1)

MARK	NUMBER	QTY	FRU	DESCRIPTION/NAME
2	46-296854P2	1.000	Yes	2.5 INCH, 2048 COUNT.REV
4	46-296780P2	3.000	Yes	SYN-CLAMP
10	46-136334P57	2.000	Yes	SPDT, MINIATURE BASIC
3	2265263	1.000	No	BLOCK, (REF 46-296772P1)
5	2265262	1.000	No	SHAFT, ELEV ENCODER(REF 4
6	46-296259P4	1.000	No	ADAPTER
7	46-170048P8	1.000	No	MIN-E-PITCH, 16 T, PD 0.8
8	2265261	1.000	No	CAM, ELEV SWITCH (REF 46-
9	2261699	1.000	No	BRKT, SWT ELEV ASM,(REF 4
11	46-136282P75	2.000	No	BEARING
12	46-220277P7	1.000	No	EXT RADIAL MOUNT 0.250 SH
13	2265264	1.000	No	NUT PLATE (REF 46-296945P
14	46-170497P7	2.000	No	SCREW
15	46-170498P125	3.000	No	SCREW
16	46-170528P23	1.000	No	SHAFT SIZE .250 MAT 2024-
17	2264577-3	1.000	No	SPACER, 10.16MM THK(REF 4
18	46-170020P63	2.000	No	NOMINAL DIA 0.250 X 0.625
19	46-220181P2	1.000	No	#4 SPRING LOCK WASHER, ST
20	1000904P438	2.000	No	ID 0.12, OD 0.312, THK .0
21	2265313	1.000	No	THUMB WHEEL (REF 46-29616
22	46-208894P1	2.000	No	SCREW
23	46-297539P2	1.000	No	NO. 6 HI-COLLAR SPRING,
24	1000904P519	2.000	No	WASHER .117 ID .190 OD X
25	46-220205P1	1.000	No	ID 0.3125 OD 0.75 THK

Table 2-16 Elevation Encoder Assembly (2269173 BOM, rev 1)

This Page Intentionally Blank.

1.7.8 Frame Assembly (2269174)

FRU = NO

USED ON:
2269166

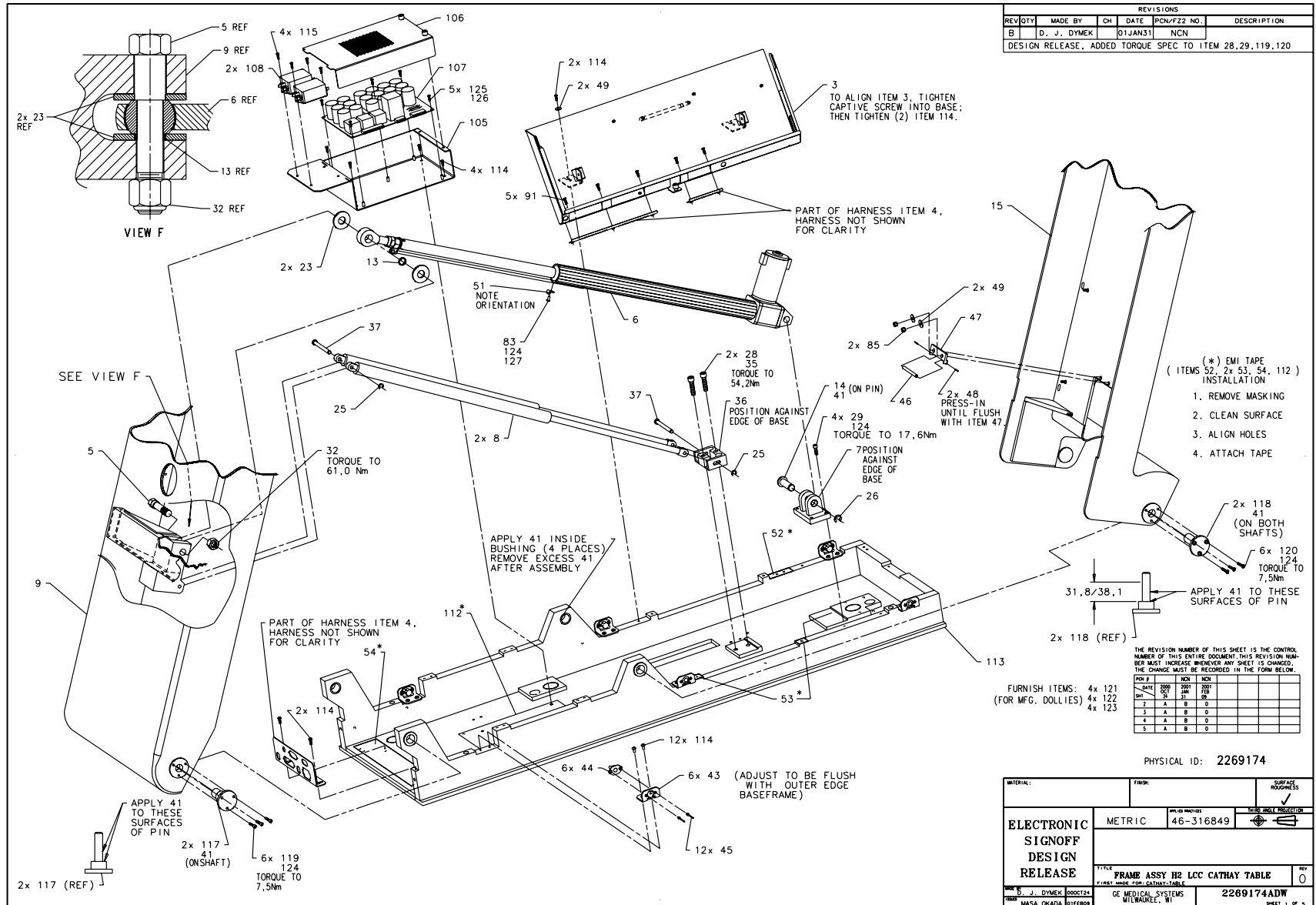


Figure 2-24 Frame Assembly (2269174, sheet 1, rev 0)

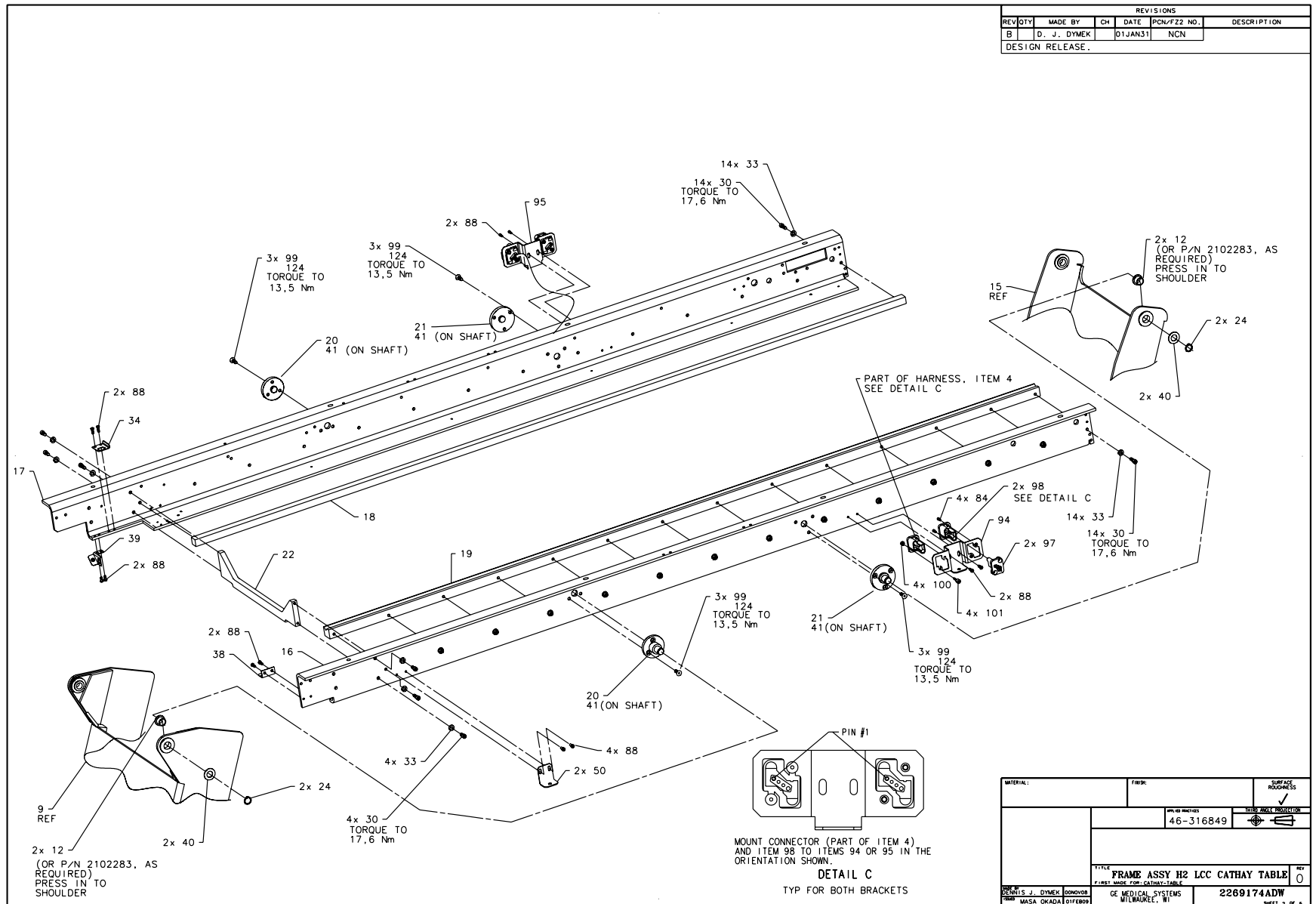


Figure 2-25 Frame Assembly (2269174, sheet 2, rev 0)

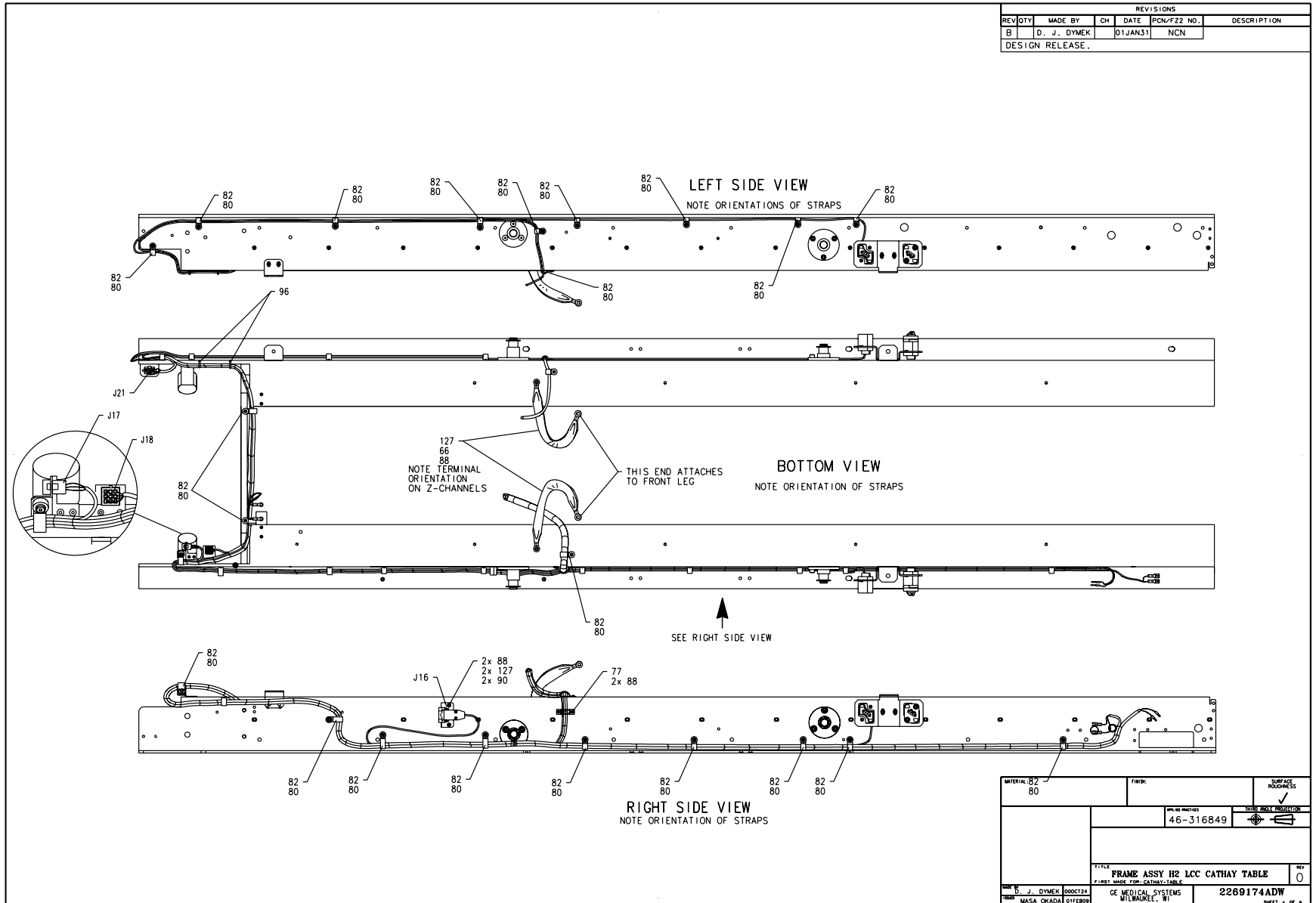


Figure 2-27 Frame Assembly (2269174, sheet 4, rev 0)

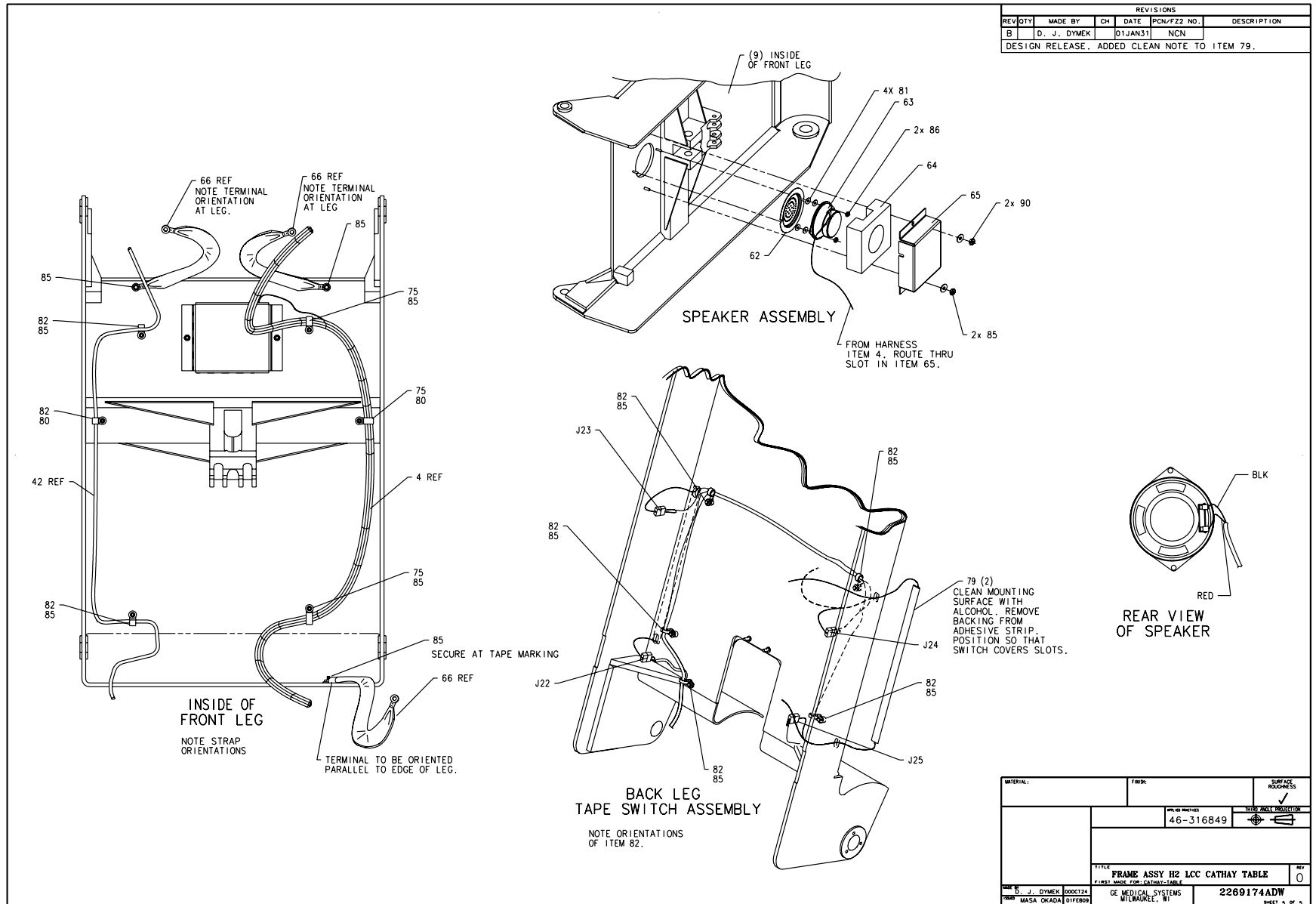


Figure 2-28 Frame Assembly (2269174, sheet 5, rev 0)

MARK	NUMBER	QTY	FRU	DESCRIPTION/NAME
4	2271256	1.000	Yes	SIGNAL HARNESS FOR H2 TAB
6	2294322	1.000	Yes	ACTUATOR, LINEAR
-	46-296561P11	-	Yes	MAGNET ROD
8	2100671	2.000	Yes	SUSPA # 016-03570 C (ZEUS
18	2259859	1.000	Yes	CARRIAGE_RAIL, (REF 46-27
19	2259860	1.000	Yes	CARRIAGE RAIL, V, (REF 46
23	46-297350P1	2.000	Yes	SPACER
25	46-220277P15	2.000	Yes	EXT RADIAL MOUNT 0.312 SH
26	46-220277P11	1.000	Yes	EXT RADIAL MOUNT 0.625 SH
35	46-170684P1	AR	Yes	LOCTITE 271, 0.5CC VIAL
37	2265876	2.000	Yes	PIN, GAS SPRING (REF 46-2
42	2266015	1.000	Yes	TABLE POWER HARNESS
50	2261663	2.000	Yes	BRKT, TBL TOP COVER, (REF
63	46-297687P1	1.000	Yes	8 OHM, 4W, 3-1/2" SPE
79	46-297698P1	2.000	Yes	11" LOW PROFILE BEAD, RIB
93	46-208758P5	2.000	Yes	SELF LOCKING CABLE TIE
97	46-297805G1	2.000	Yes	JUMPER CONN.
98	46-297805G2	2.000	Yes	JUMPER CONN.
104	2106866-2	1.000	Yes	.75 IN WIDE INSULATED CAB
107	2113411	1.000	Yes	170 VOLT POWER SUPPLY
108	46-297335P2	2.000	Yes	6.90A, 250V 2-STAGE PWR L
120	46-208562P20	6.000	Yes	SCREW
3	2269179	1.000	No	ETC/CPU ASSEMBLY FOR CATH
5	2265855	1.000	No	PIN, ROD END (REF 46-2967
7	2133760-2	1.000	No	ZEUS TABLE ACTUATOR BASE
9	2255160-2	1.000	No	FRONT LEG FOR H2 LCC CATH
12	46-136342P135	4.000	No	BUSHING

Table 2-17 Frame Assembly (2269174 BOM, rev 4)

MARK	NUMBER	QTY	FRU	DESCRIPTION/NAME
13	2265856	1.000	No	SPACER, ROD END (REF 46-2
14	2265853	1.000	No	PIN, ACTUATOR (REF 46-278
15	2255158-2	1.000	No	REAR LEG FOR H2 LCC CATHA
16	2259855	1.000	No	CHANNEL,LEFT SUPPORT,(REF
17	2259854	1.000	No	CHANNEL,RIGHT SUPPORT,(RE
20	2261670	2.000	No	PIN, TABLE TOP, FRONT (RE
21	2261671	2.000	No	PIN, TABLE TOP, REAR, (RE
22	2261678	1.000	No	BRACE, FRONT, (REF 46-296
24	46-220179P15	4.000	No	EXT AXIAL MOUNT 0.625 SHA
28	46-328417P26	2.000	No	SCREW HEXAGON SOCKET 10 M
29	46-328417P15	4.000	No	SCREW HEXAGON SOCKET 6 MM
30	46-170498P14	32.000	No	SCREW
32	46-170012P81	1.000	No	005/8-18 HEX .940 NUT
33	46-220181P6	35.000	No	1/4" SCREW SIZE (0.250),
34	2261685	1.000	No	BRKT, R-CHANL CON, (REF 4
36	2261722	1.000	No	BLOCK, MOUNTING, (REF 46-
38	2261686	1.000	No	BRKT, L-CHANL CON, (REF 4
39	2261703	1.000	No	BRKT, FRT RT CHAN,(REF 46
40	12-128	4.000	No	WASHER,FLAT
41	46-170623P2	AR	No	BLACK, HEAVY-DUTY LUBRICA
43	2265871	6.000	No	BRACKET TBL BASE CVR (46-
44	46-297329P2	6.000	No	1/4 TURN RECEPTACLE - FIX
45	46-220186P20	12.000	No	1/8" 120 DEGREE COUNTERSU
46	2329243	1.000	No	SHAFT
47	2329245	1.000	No	ROLLER MOUNT
48	46-170020P2	2.000	No	NOMINAL DIA 0.0938X 0.500
49	12-275	4.000	No	WASHER, ID .2656, OD.75,
51	2261692	1.000	No	SPRING CLAMP, (REF 46-297

Table 2-17 Frame Assembly (2269174 BOM, rev 4) (Continued)

MARK	NUMBER	QTY	FRU	DESCRIPTION/NAME
52	46-297705P2	1.000	No	CONDUCTIVE TAPE
53	46-297705P14	2.000	No	METALLIC CONDUCTIVE TAPE
54	46-297705P4	1.000	No	MET-CON TAPE
55	46-170497P66	1.000	No	SCREW
61	2261689	1.000	No	CABLE TROUGH, (REF 46-297
62	2261674	1.000	No	SPEAKER GRILL, (REF 46-29
64	46-297686P2	1.000	No	SPEAKER INSULATION FOR H2
65	2265879	1.000	No	SPEAKER COVER (REF 46-297
66	46-297155G1	4.000	No	ZEUS TABLE, 9" LONG CABLE
69	2265875	3.000	No	CLAMP, GRND STRAP (REF 46
75	46-208759P4	14.000	No	13.93"X .301" SELF-LOCKIN
77	46-297648P1	1.000	No	CABLE CLAMP
80	2146815	25.000	No	10-32 X 1/2 HEX SOC BUTTO
81	1000904P395	4.000	No	ID 0.177 OD 0.312 THK .
82	46-208759P1	34.000	No	7.81" X .184" SELF-LOCKIN
83	46-208560P46	1.000	No	SCREW
84	46-170497P38	4.000	No	SCREW
85	46-170012P63	24.000	No	0010-32 HEX .375 NUT HT
86	46-170012P61	3.000	No	0006-32 HEX .313 NUT HT
87	2275854	1.000	No	GROUND - TABLE TO RACEWAY
88	2146815-2	22.000	No	10-32 X 3/8 HEX SOC BUTTO
89	46-297731P1	1.000	No	MOTOR LABEL
90	12-276	4.000	No	ID 0.2040 OD 0.5630 THK .
91	46-170497P36	5.000	No	SCREW
92	46-208758P9	2.000	No	11.08"X .140" SELF-LOCKIN
94	2261712	1.000	No	BRKT, LH TBL TOP CVR, (RE
95	2261712-2	1.000	No	BRKT, RH TBL TOP CVR,(REF
96	46-208758P1	4.000	No	3.62" X .094" CABLE TIE

Table 2-17 Frame Assembly (2269174 BOM, rev 4) (Continued)

MARK	NUMBER	QTY	FRU	DESCRIPTION/NAME
99	46-208562P7	12.000	No	SCREW
100	46-170012P62	4.000	No	0008-32 HEX .343 NUT HT
101	2265880	4.000	No	SHOULDER SCREW (REF 46-29
102	46-170012P64	1.000	No	01/4-20 HEX .437 NUT HT
105	2265847	1.000	No	BRACKET, T/E PWR SUPPLY (R
106	2265848	1.000	No	COVER, T/E PWR SUPPLY (REF
112	46-297705P10	1.000	No	METALLIC CONDUCTIVE 3M-SC
113	2259856-2	1.000	No	TABLE BASE,MACHINING,(REF
114	46-328417P12	38.000	No	SCREW HEXAGON SOCKET 6 MM
115	46-170015P3	4.000	No	SCREW SEMS 8-32 X .312, E
117	2261676	2.000	No	PIN, TBL LOWER, FRONT,(RE
118	2261677	2.000	No	PIN, TBL LOWER, REAR, (RE
119	46-170498P32	6.000	No	SCREW
121	46-328416P23	4.000	No	SCREW HEXAGON HEAD 10 MM
122	46-328431P3	4.000	No	WASHER PLAIN - LARGE 10.5
123	46-328432P4	4.000	No	WASHER LOCK - SPRING 10.2
124	46-170686P2	AR	No	LOCTITE 242, 10CC
125	46-170015P27	5.000	No	SCREW
126	12-297	5.000	No	ID 0.140 OD 0.312 THK .
127	46-220181P5	6.000	No	WASHER #10 (.190) SCREW S

Table 2-17 Frame Assembly (2269174 BOM, rev 4) (Continued)

This Page Intentionally Blank.

Section 2.0 — Table Assembly (2271242)

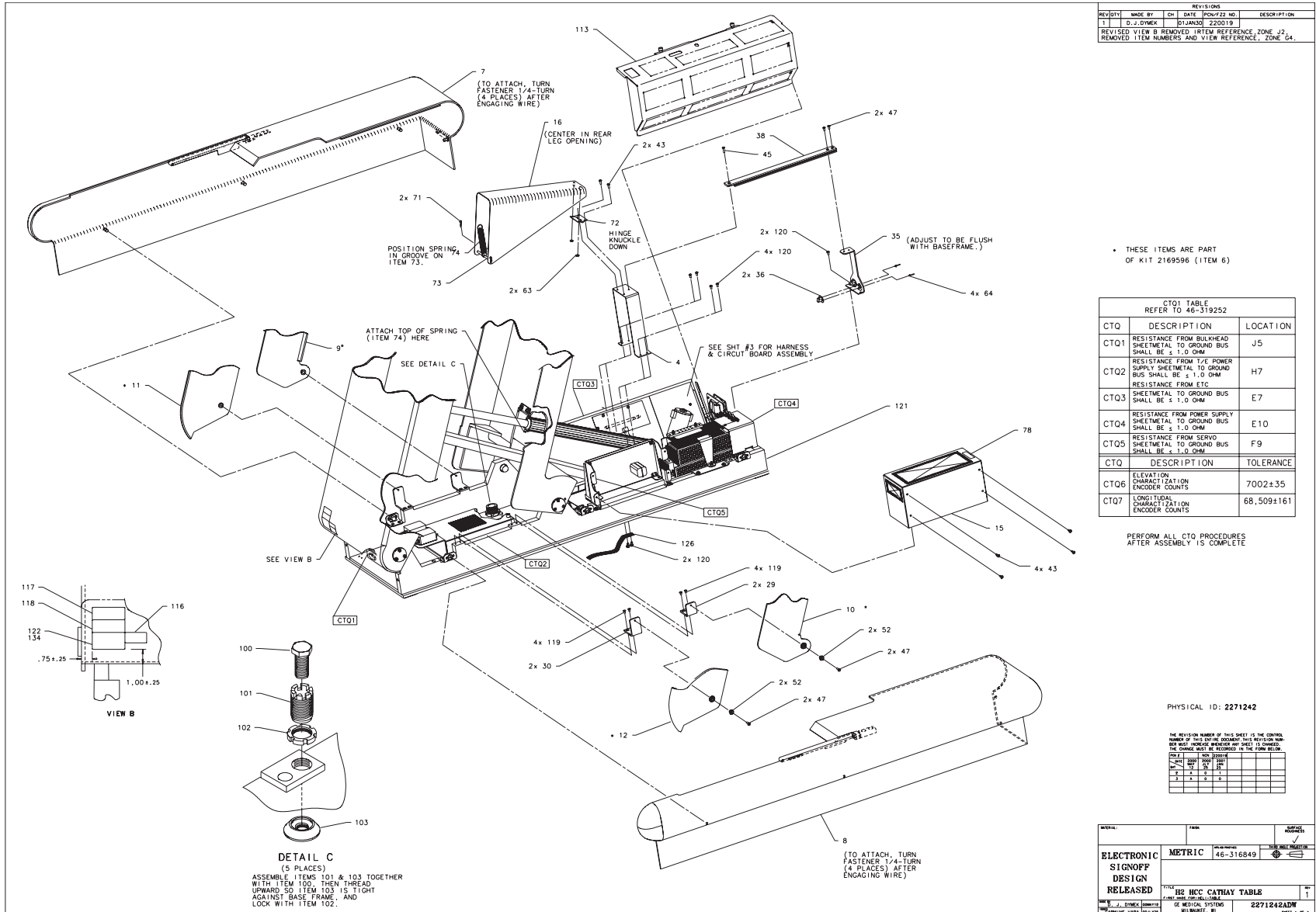


Figure 2-29 Table Assembly (2271242, sheet 1, rev 1)

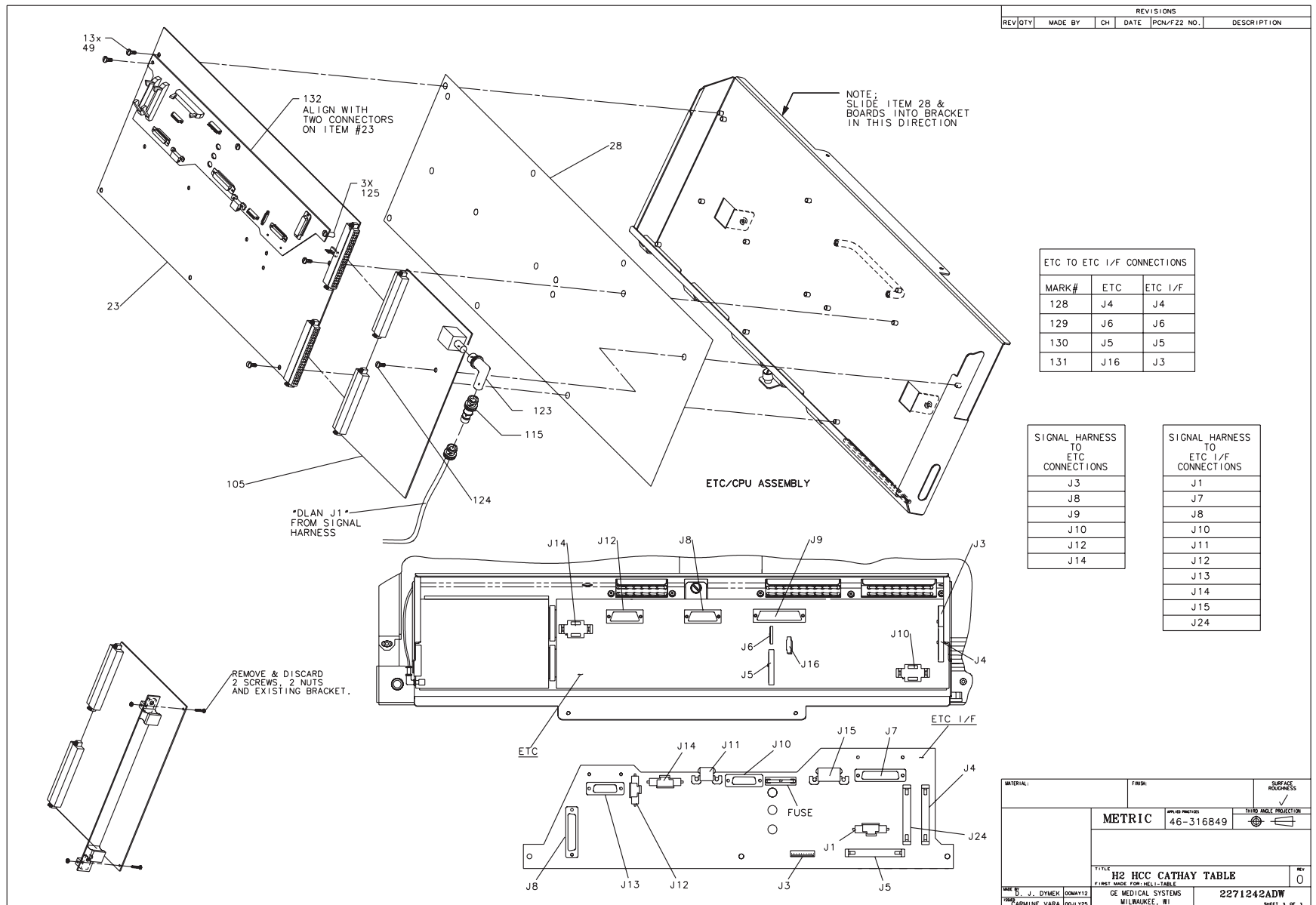


Figure 2-31 Table Assembly (2271242, sheet 3, rev 0)

MARK	NUMBER	QTY	FRU	DESCRIPTION/NAME
7	2271244	1.000	Yes	RIGHT BASE COVER ASM FOR H2 {For further detail, see Section 1.2, beginning on page 56.}
8	2271247	1.000	Yes	LEFT BASE COVER ASM FOR H2 {For further detail, see Section 1.3, beginning on page 58.}
16	46-296592P1	1.000	Yes	ACTUATOR COVER
-	46-297894G1	-	Yes	FIELD KIT FOR ACTUATOR COVER ROLLER
17	2236720	1.000	Yes	COVER ASSEMBLY TABLE TOP - LEFT {For further detail, see Section 2.2, beginning on page 116.}
18	2236720-2	1.000	Yes	COVER ASSEMBLY TABLE TOP - RIGHT {For further detail, see Section 2.3, beginning on page 118.}
19	46-296594P1	1.000	Yes	DRIVE COVER
21	46-296679P2	1.000	Yes	ZEUS TABLE, REAR END COVER WITHOUT
23	46-264368G3	1.000	Yes	ENHANCED TABLE CONTROL HELIOS 2
28	46-297061P1	1.000	Yes	FISH PAPER
29	2136285	2.000	Yes	ZEUS TABLE LOWER REAR SID PNL BRACKT
30	2136284	2.000	Yes	ZEUS TABLE LOWER FRNT SID PNL BRACKT
31	2138103	2.000	Yes	ZEUS TABLE UPPER SIDE PANEL BRACKET
32	2138101	2.000	Yes	UPPER SIDE PANEL BRACKET
33	46-297171P1	4.000	Yes	NUT PLATE
35	46-297324P1	1.000	Yes	COVER SUPPORT BRACKET
36	46-297329P2	2.000	Yes	1/4 TURN RECEPTACLE - FIXED
38	46-297246P1	1.000	Yes	CHANNEL
47	46-208562P20	14.000	Yes	SCREW
52	46-297552P1	8.000	Yes	SPNL PIV TUB
64	46-220186P20	4.000	Yes	1/8" 120 DEGREE COUNTERSUNK POP
72	46-297678P1	1.000	Yes	HINGES
73	46-297676P1	1.000	Yes	PIN
74	46-170490P50	1.000	Yes	SPRING-INCH EXTENSION 4 INCHES .65 I

Table 2-18 Table Assembly (2271242 BOM, rev 5)

MARK	NUMBER	QTY	FRU	DESCRIPTION/NAME
81	12-276	4.000	Yes	ID 0.2040 OD 0.5630 THK .
108	2115992-2	1.000	Yes	860-941208 METALLESS CRADLE {For further detail, see Section 1.6 , beginning on page 64 .}
109	2117299	1.000	Yes	METALLESS CRADLE COMPATIBLE FRONT
113	2117930	1.000	Yes	EMC PROJECT/TABLE/CVR BRD BRKT
115	46-265874P1	1.000	Yes	50 OHM IMPEDANCE BNC FEED-THRU TERM
123	46-233422P1	1.000	Yes	BNC JACK-PLUG, RIGHT ANGLE ADAPTER
128	2271251	1.000	Yes	RIBBON JUMPER CABLE, ETC TO ETC I/F
129	2271253	1.000	Yes	RIBBON CABLE JUMPER, ETC TO ETC I/F
130	2271254	1.000	Yes	RIBBON CABLE JUMPER, ETC TO ETC I/F
131	2271255	1.000	Yes	RIBBON CABLE JUMPER, ETC TO ETC I/F
135	2287357	1.000	Yes	HANDLE, CRADLE
136	46-328417P20	2.000	Yes	SCREW HEXAGON SOCKET 6 MM
105A	2224296-3	1.000	Yes	VE-GE, 8MB, 2FL, GE MED,
105B	2224296	ALT	Yes	ARTESYN II CT COMPUTER BOARD
132A	2372485	1.000	Yes	ETC INTERFACE W/ AZ60A
132B	2229871	ALT	Yes	ETC IF BOARD
4	46-296591P1	1.000	No	COVER MOUNT
5	46-296820P1	1.000	No	BRACKET
6	2169596-2	1.000	No	SIDE PANEL KIT FOR H2 HCC {For further detail, see Section 2.1 , beginning on page 114 .}
13	46-296832P1	2.000	No	REAR COVER BRACKET
14	46-297897P1	1.000	No	ENCODER COVER
15	46-297374P1	1.000	No	COVER
22	46-296742P1	2.000	No	GUARD COVER
43	2146815-2	26.000	No	10-32 X 3/8 HEX SOC BUTTON HD SST MA
45	46-208562P2	1.000	No	SCREW
46	46-208562P3	4.000	No	SCREW

Table 2-18 Table Assembly (2271242 BOM, rev 5) (Continued)

MARK	NUMBER	QTY	FRU	DESCRIPTION/NAME
49	46-170497P38	13.000	No	SCREW
55	46-297155G1	4.000	No	ZEUS TABLE, 9" LONG CABLE
56	46-170012P61	2.000	No	0006-32 HEX .313 NUT HT
59	46-297596P1	2.000	No	HEX STANDOFF
61	46-170498P23	6.000	No	SCREW
62	46-221523P10	6.000	No	HOLE DIA 0.437 MAT'L THK
63	46-170012P63	2.000	No	0010-32 HEX .375 NUT HT
65	46-170498P41	2.000	No	SCREW
71	46-297695P1	2.000	No	COTTER PIN
75	46-297448P1	1.000	No	HANDLE ADDITION
78	46-197018P1	1.000	No	DANGER HI-VOLTAGE
80	46-220181P5	10.000	No	WASHER #10 (.190) SCREW SIZE,
85	2146815-2	18.000	No	10-32 X 3/8 HEX SOC BUTTON HD SST MA
86	46-196354P1	3.000	No	STANDOFF/SPACER
87	46-196354P4	3.000	No	STANDOFF/SPACER
88	46-170106P1	AR	No	DBL COATED FILM .007 THK
91	2132175	0.000	No	TABLE DOCUMENT COLLECTOR
92	1000904P358	1.000	No	ID 0.380 OD 1.000 THK .
93	2184717	1.000	No	SHIPPING BOLT FOR CT TABLE
94	46-327022P1	AR	No	ZEUS TABLE, CRADLE/CARRIAGE SPACER
95	46-327022P2	AR	No	ZEUS TABLE, CRADLE/CARRIAGE SPACER
96	46-327022P3	AR	No	ZEUS TABLE, CRADLE/CARRIAGE SPACER
97	46-327022P4	AR	No	ZEUS TABLE, CRADLE/CARRIAGE SPACER
98	46-327022P5	1.000	No	ZEUS TABLE, CRADLE/CARRIAGE SPACER
100	46-208561P147	5.000	No	SCREW
101	2105871	5.000	No	GANTRY AND TABLE INSTALLATION
102	2106207	5.000	No	1 1/2 -12 THDS 2.00 O.D.
103	2105872	5.000	No	GANTRY AND TABLE INSTALLATION

Table 2-18 Table Assembly (2271242 BOM, rev 5) (Continued)

MARK	NUMBER	QTY	FRU	DESCRIPTION/NAME
116	2265684	1.000	No	LABEL
117	2117390	1.000	No	LABEL, CE MARKING COMPLIANCE
118	2132620	1.000	No	CE MARKING LABEL CLASS A GROUP 1
119	2103580-12	8.000	No	SCREW COUNTERSUNK HEA 6 MM 12 MM
120	46-328417P12	8.000	No	SCREW HEXAGON SOCKET 6 MM
121	2271241	1.000	No	SUBASSEMBLY FOR H2 HCC CATHAY TABLE <i>{For further detail, see Section 2.4, beginning on page 120.}</i>
122	2285525	1.000	No	RATING PLATE
124	46-208922P5	1.000	No	SCREW
125	46-208984P17	3.000	No	BRASS STANDOFF MALE/FEMALE, 6-32
126	2148658	1.000	No	ESD GROUND STRAP, BRAIDED FLAT WIRE
134	46-303268P1	1.000	No	PRODUCT LOCATOR CARD FORM

Table 2-18 Table Assembly (2271242 BOM, rev 5) (Continued)

This Page Intentionally Blank.

2.1 Side Panel Kit (2169596-2)

FRU = NO

USED ON:
 2271242

MARK	NUMBER	QTY	FRU	DESCRIPTION/NAME
9	46-296577P2	1.000	Yes	RIGHT REAR SIDE PANEL FOR H2 HCC
10	46-296578P2	1.000	Yes	LEFT REAR SIDE PANEL FOR H2 HCC
11	46-296583P2	1.000	Yes	RIGHT FRONT SIDE PANEL FOR H2 HCC
12	46-296584P2	1.000	Yes	LEFT FRONT SIDE PANEL FOR H2 HCC

Table 2-19 Side Panel Kit (2169596-2 BOM, rev 1)

This Page Intentionally Blank.

2.2 Cover Assembly Table Top - Left (2236720)

FRU = YES

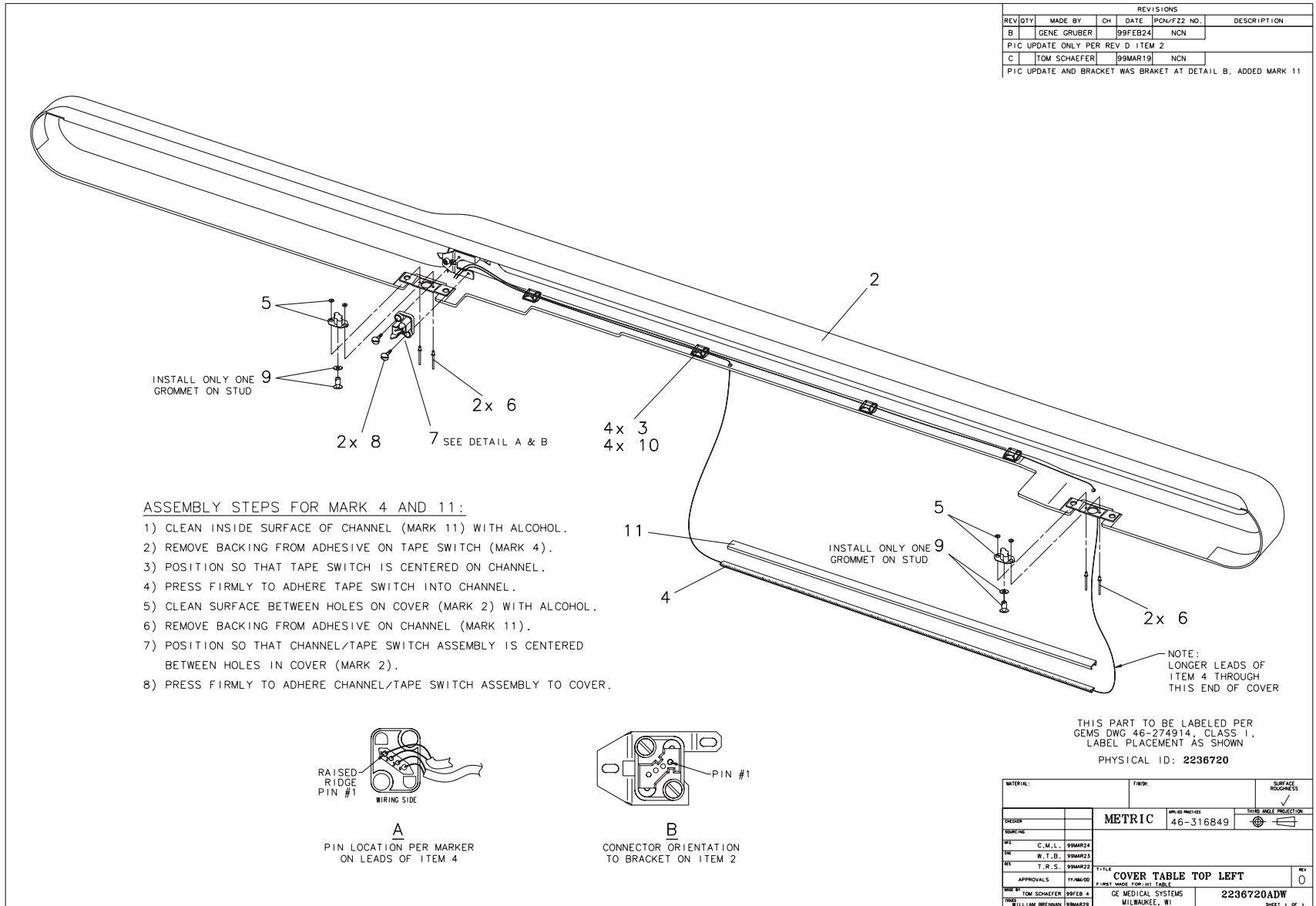


Figure 2-32 Cover Assembly Table Top - Left (2236720, sheet 1, rev 0)

MARK	NUMBER	QTY	FRU	DESCRIPTION/NAME
3	46-208747P1	4.000	Yes	CABLE TIE,ADH.BACKED
4	46-297698P3	1.000	Yes	27" HIGH PROFILE BEAD, RIBBON SWITCH
5	46-297329P1	2.000	Yes	1/4 TURN RECEPTACLE WITH TWO SPACERS
6	46-220186P20	4.000	Yes	1/8" 120 DEGREE COUNTERSUNK POP
7	46-297721P1	1.000	Yes	4-POS PLUG HOUSING (DRAWER CONNECT).
8	46-158905P16	2.000	Yes	MOUNTING SCREW FOR DRAWER CONNECTOR.
9	46-297328P2	2.000	Yes	1/4 TURN STUD AND TWO GROMMETS
10	46-208758P1	4.000	Yes	3.62" X .094" CABLE TIE
11A	2216522	1.000	Yes	CHANNEL EXTRUSION FOR TAPE SWITCH
11B	2342975	ALT	Yes	CHANNEL TAPESWITCH
2	2225970	1.000	No	TOP LEFT SIDE COVER

Table 2-20 Cover Assembly Table Top - Left (2236720 BOM, rev 2)

2.3 Cover Assembly Table Top - Right (2236720-2)

FRU = YES

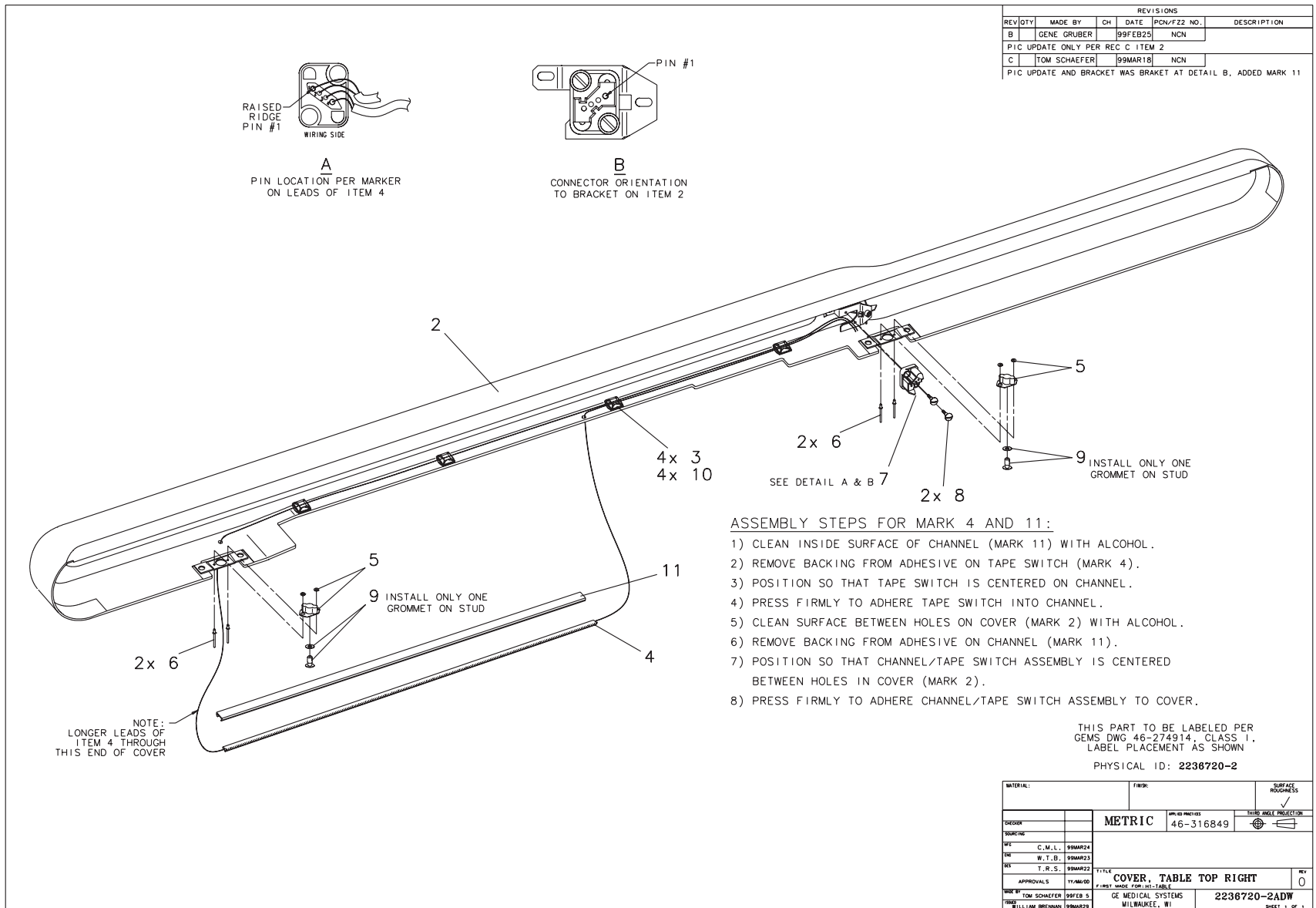


Figure 2-33 Cover Assembly Table Top - Right (2236720-2, sheet 1, rev 0)

MARK	NUMBER	QTY	FRU	DESCRIPTION/NAME
3	46-208747P1	4.000	Yes	CABLE TIE,ADH.BACKED
4	46-297698P3	1.000	Yes	27" HIGH PROFILE BEAD, RIBBON SWITCH
5	46-297329P1	2.000	Yes	1/4 TURN RECEPTACLE WITH TWO SPACERS
6	46-220186P20	4.000	Yes	1/8" 120 DEGREE COUNTERSUNK POP
7	46-297721P1	1.000	Yes	4-POS PLUG HOUSING (DRAWER CONNECT).
8	46-158905P16	2.000	Yes	MOUNTING SCREW FOR DRAWER CONNECTOR.
9	46-297328P2	2.000	Yes	1/4 TURN STUD AND TWO GROMMETS
10	46-208758P1	4.000	Yes	3.62" X .094" CABLE TIE
11A	2216522	1.000	Yes	CHANNEL EXTRUSION FOR TAPE SWITCH
11B	2342975	ALT	Yes	CHANNEL TAPESWITCH
2	2225968	1.000	No	TOP RIGHT SIDE COVER

Table 2-21 Cover Assembly Table Top - Right (2236720-2 BOM, rev 2)

2.4 Subassembly For H2 HCC Cathay Table (2271241)

FRU = NO

USED ON:
2271242

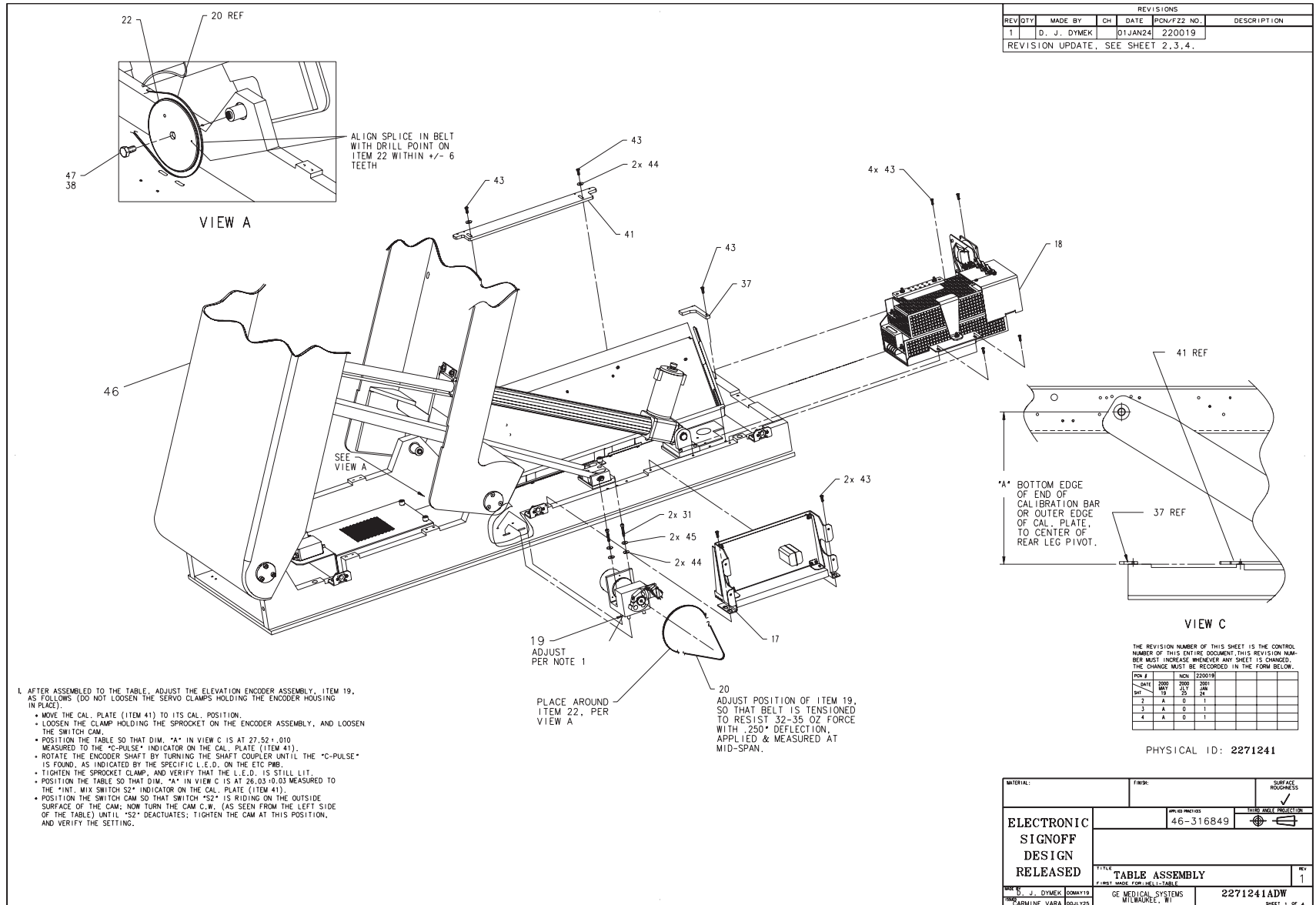


Figure 2-34 Subassembly For H2 HCC Cathay Table (2271241, sheet 1, rev 1)

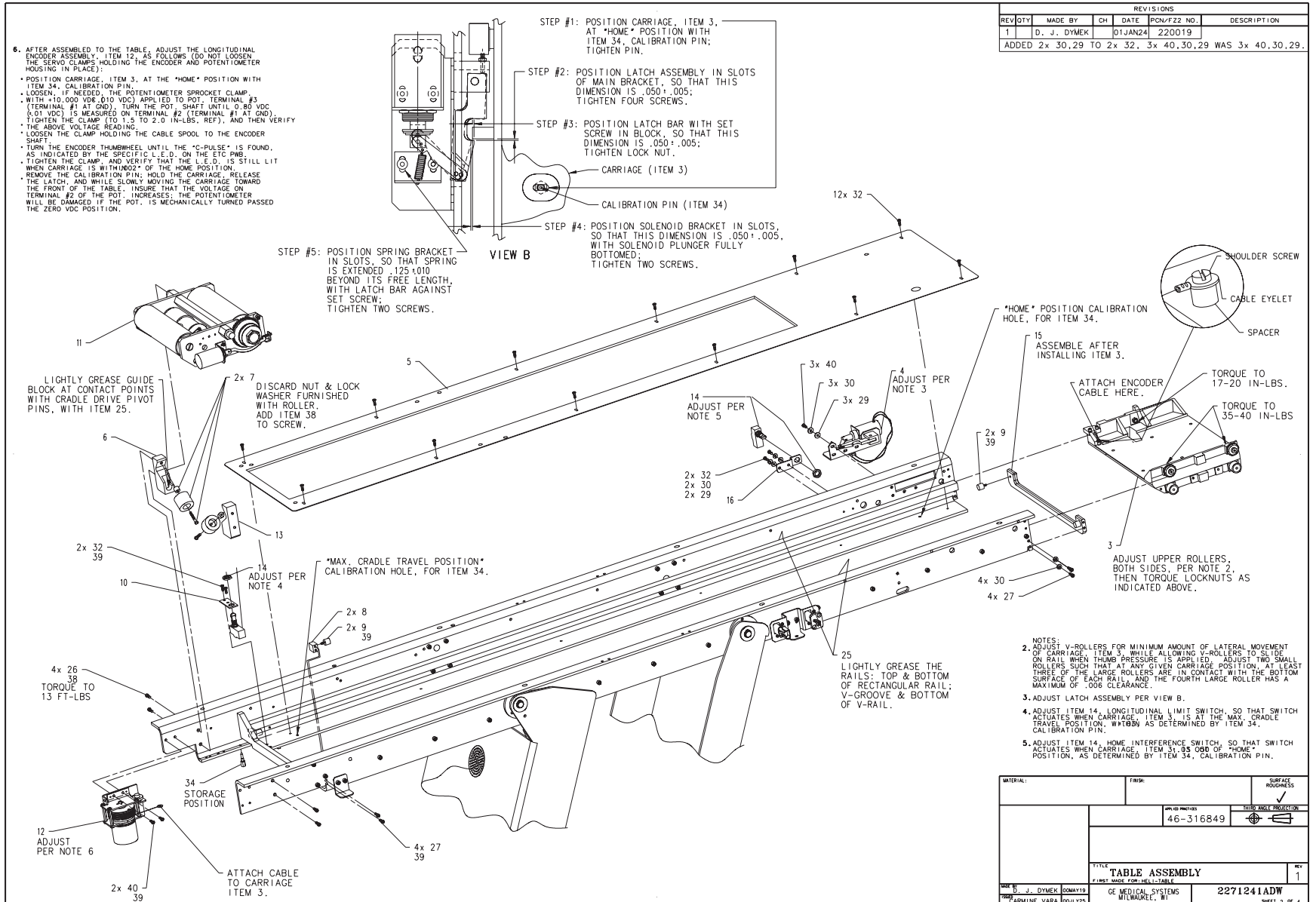


Figure 2-35 Subassembly For H2 HCC Cathay Table (2271241, sheet 2, rev 1)

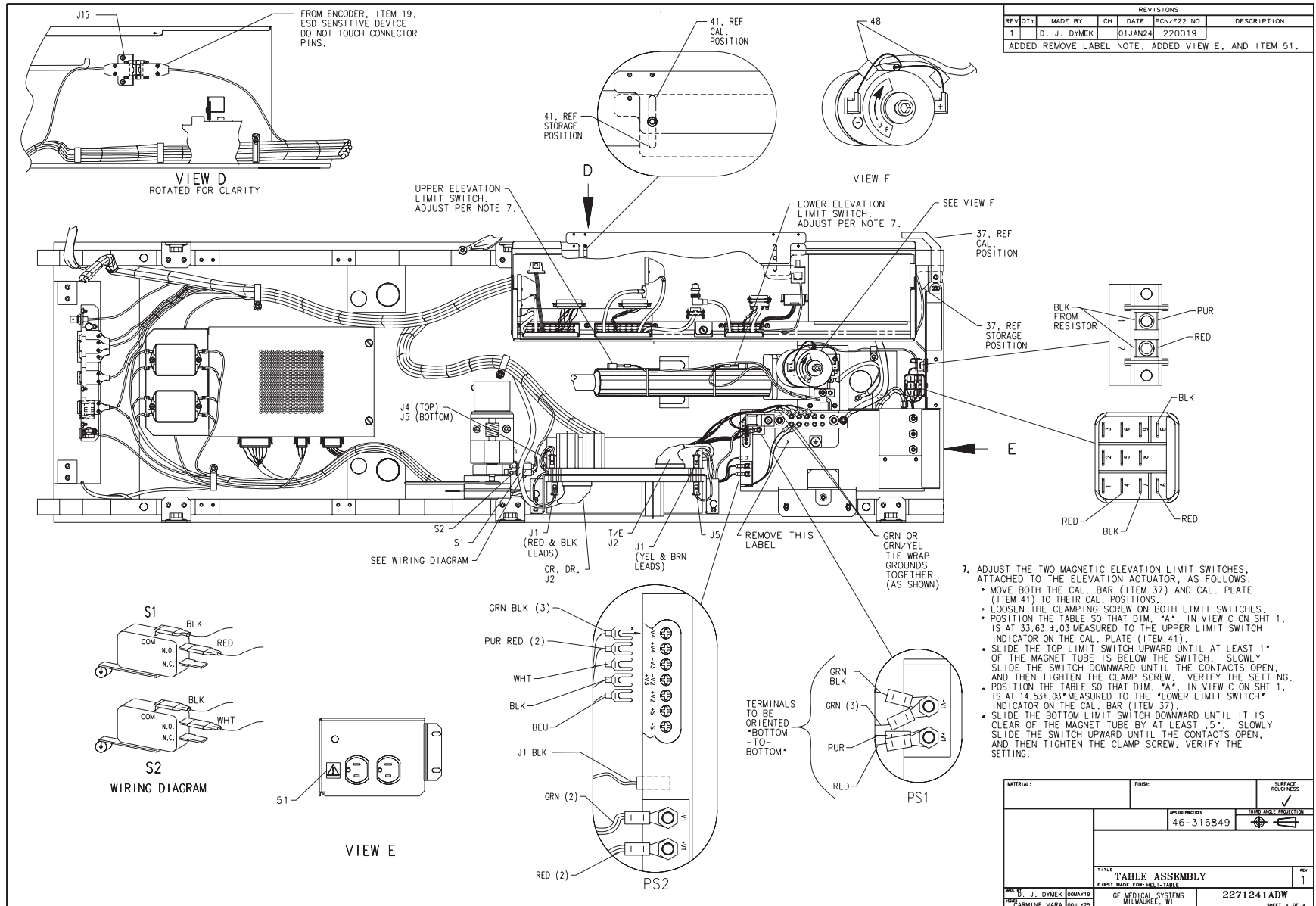


Figure 2-36 Subassembly For H2 HCC Cathay Table (2271241, sheet 3, rev 1)

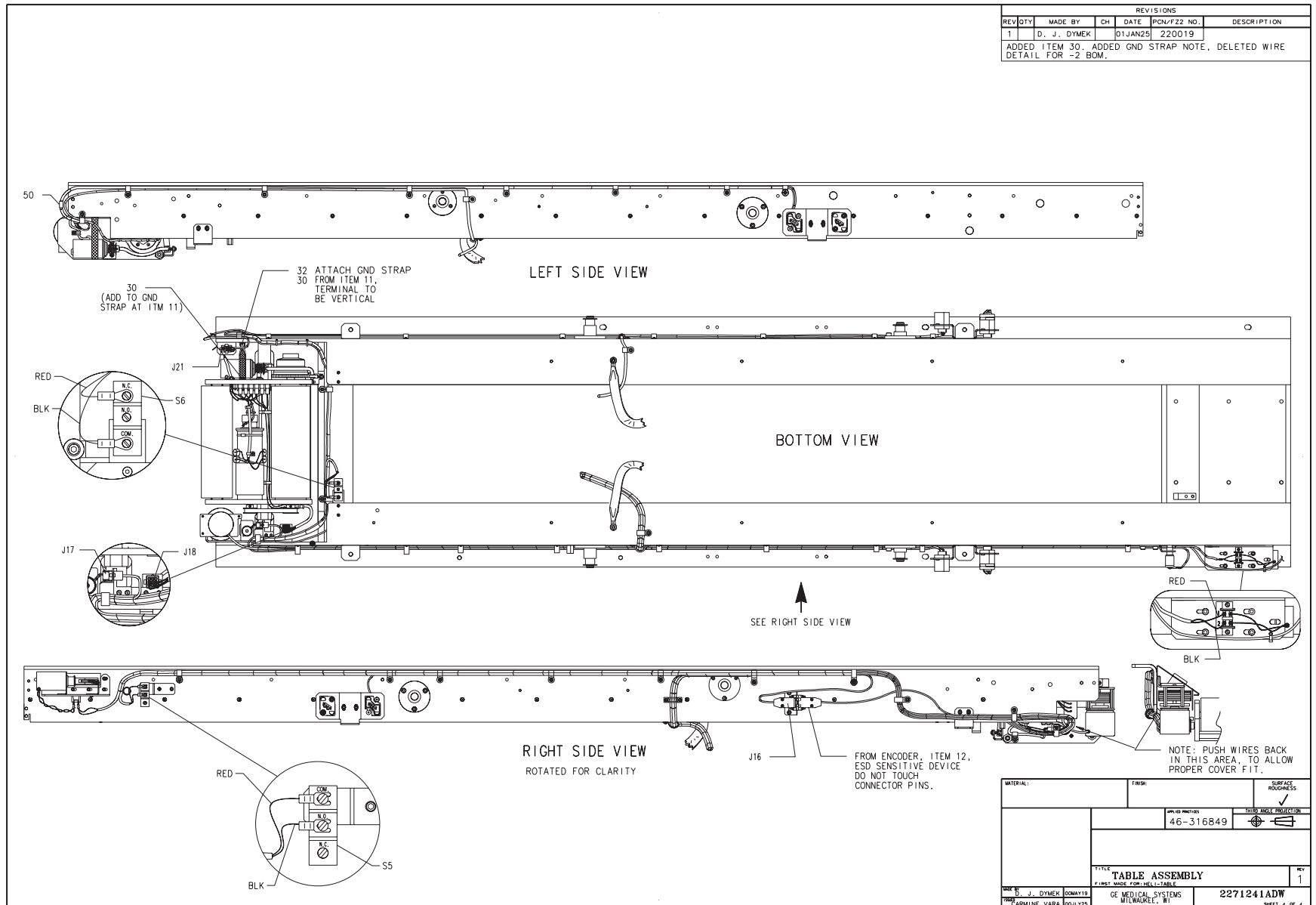


Figure 2-37 Subassembly For H2 HCC Cathay Table (2271241, sheet 4, rev 1)

MARK	NUMBER	QTY	FRU	DESCRIPTION/NAME
3	2137940	1.000	Yes	ZEUS TABLE 3 POINT CARRIAGE ASM {For further detail, see Section 2.4.1 , beginning on page 126.}
4	46-296233G2	1.000	Yes	LATCH ASM {For further detail, see Section 2.4.2 , beginning on page 128.}
7	46-296370P1	2.000	Yes	BAR
11	46-296235G2	1.000	Yes	ZEUS TABLE, WITH HIAWATHA {For further detail, see Section 2.4.3 , beginning on page 130.}
12	46-296234G1	1.000	Yes	ZEUS TABLE ENCODER ASM. {For further detail, see Section 2.4.4 , beginning on page 134.}
14	46-136334P23	2.000	Yes	SPDT, 15A @125/250VAC BASIC SWITCH.
19	46-296633G3	1.000	Yes	ELEVATION ENCODER ASM FOR H2 HCC {For further detail, see Section 2.4.6 , beginning on page 142.}
20	46-170047P7	1.000	Yes	125 PITCHES 19.635 LENGTH
25	46-170623P2	AR	Yes	BLACK, HEAVY-DUTY LUBRICATING PASTE.
32	2146815-2	17.000	Yes	10-32 X 3/8 HEX SOC BUTTON HD SST MA
34	46-297576P1	1.000	Yes	CALIBRATION PIN
38	46-170684P2	AR	Yes	LOCTITE 271, 10CC BOTTLE
5	46-278308P1	1.000	No	TOP TABLE PL
6	46-296108P1	1.000	No	GUIDE BLOCK
8	46-278362P1	2.000	No	BUMPER BLOCK
9	46-221597P2	4.000	No	MINOR VBM-3003 NAT RUBBER 70+/-5DURO
10	46-278363P1	1.000	No	SWITCH PLATE
13	46-296108P2	1.000	No	GUIDE BLOCK
15	46-296815P1	1.000	No	REAR BRACE
16	46-296925P1	1.000	No	BRACKET, SW
17	46-297059G1	1.000	No	SERVO ASM {For further detail, see Section 1.7.5 , beginning on page 86.}
18	46-296791G2	1.000	No	POWER ASSEMBLY {For further detail, see Section 2.4.5 , beginning on page 138.}

Table 2-22 Subassembly For H2 HCC Cathay Table (2271241 BOM, rev 3)

MARK	NUMBER	QTY	FRU	DESCRIPTION/NAME
22	46-296626P1	1.000	No	LARGE GEAR
26	46-170498P54	4.000	No	SCREW
27	46-170498P13	8.000	No	SCREW
29	12-276	5.000	No	ID 0.2040 OD 0.5630 THK .0478
30	46-220181P5	9.000	No	WASHER #10 (.190) SCREW SIZE,
31	46-328417P15	2.000	No	SCREW HEXAGON SOCKET 6 MM 25 MM
37	46-297934P2	1.000	No	CALIBRATION BAR H2 HCC TABLE
39	46-170686P2	AR	No	LOCTITE 242, 10CC
40	2146815	5.000	No	10-32 X 1/2 HEX SOC BUTTON HD SST MA
41	46-297921P3	1.000	No	CALIB PLATE H2 HCC TABLE
43	46-328417P12	9.000	No	SCREW HEXAGON SOCKET 6 MM 12 MM
44	12-275	4.000	No	WASHER, ID .2656, OD.75, THK .050
45	46-328432P3	2.000	No	WASHER LOCK - SPRING 6.1 MM 11.8 MM
46	2271240	1.000	No	FRAME ASSEMBLY FOR H2 HCC CATHAY TABLE { <i>For further detail, see Section 2.4.7, beginning on page 146.</i> }
47	46-170015P28	1.000	No	SCREW
48	46-276217P2	2.000	No	FERRITE BEADS/FILTERS
50	46-276217P3	1.000	No	FERRITE BEADS/FILTERS
51	46-271110P6	1.000	No	"READ ALL APPLICABLE DOCU

Table 2-22 Subassembly For H2 HCC Cathay Table (2271241 BOM, rev 3) (Continued)

2.4.1 3 Point Carriage Assembly (2137940)

FRU = YES

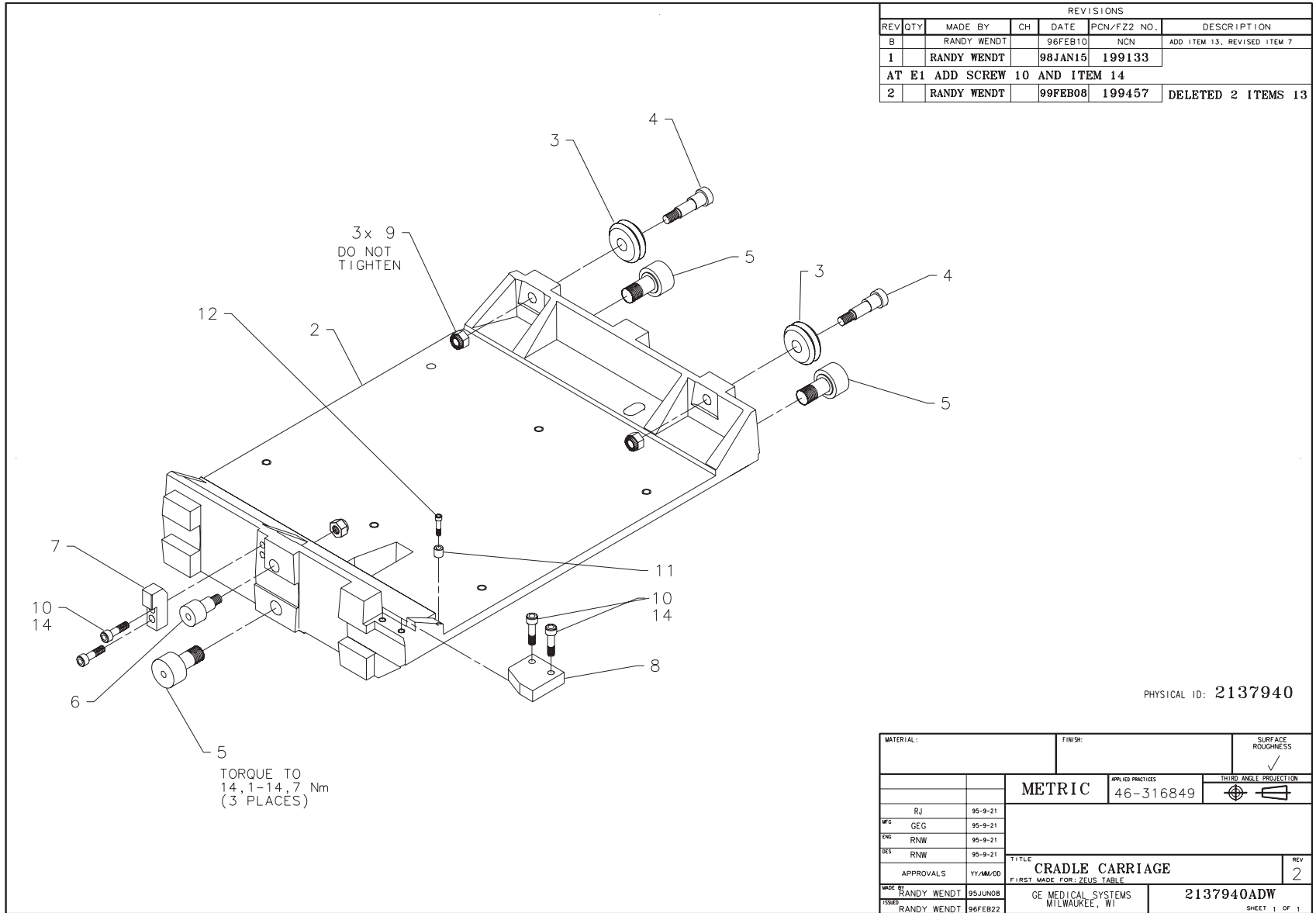


Figure 2-38 3 Point Carriage Assembly (2137940, sheet 1, rev 2)

MARK	NUMBER	QTY	FRU	DESCRIPTION/NAME
3	46-218193P1	2.000	Yes	WHEEL DIA 01.21 WIDTH 0.4
4	46-296911P1	2.000	Yes	
5	46-208580P6	3.000	Yes	CAM FOLLOWER
6	46-208580P19	1.000	Yes	CAM FOLLOWER
7	2133779	1.000	Yes	ZEUS TABLE HOME LATCH ACT
8	2133781	1.000	Yes	LONGITUD LIMIT SWITCH ACT
9	46-170012P77	3.000	Yes	LOCK NUT, 1/4-28, .437 X
10	46-170498P2	4.000	Yes	SCREW
11	46-296946P1	1.000	Yes	SPACER
12	46-170024P4	1.000	Yes	SCREW-INCH
14	46-170686P2	AR	Yes	LOCTITE 242, 10CC
2	2128887-2	1.000	No	CARRAGE FOR ZEUS TABLE-MA

Table 2-23 3 Point Carriage Assembly (2137940 BOM, rev 3)

2.4.2 Latch Assembly (46-296233G2)

FRU = YES

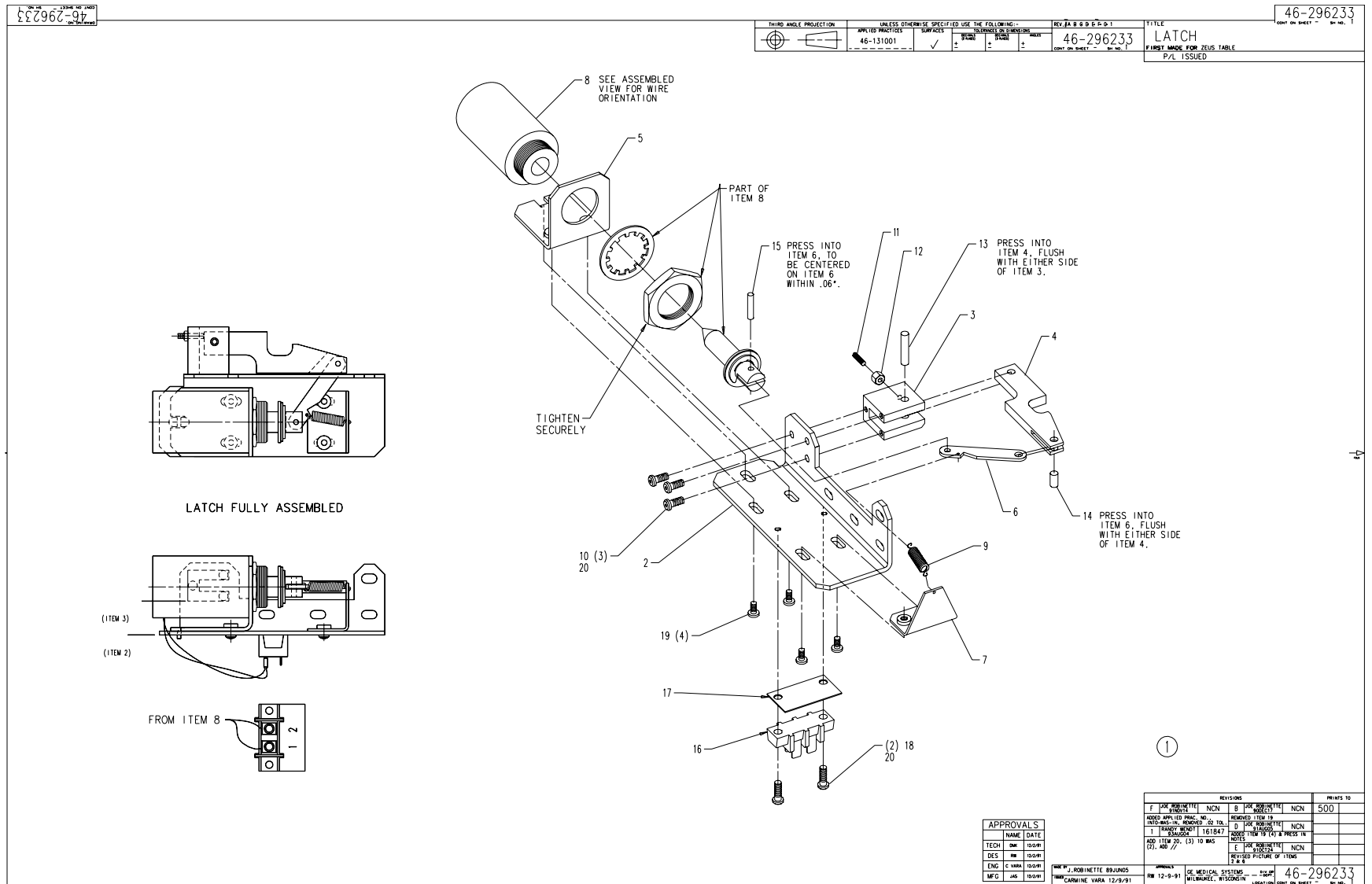


Figure 2-39 Latch Assembly (46-296233, sheet 1, rev 1)

MARK	NUMBER	QTY	FRU	DESCRIPTION/NAME
8	46-296972G1	1.000	Yes	SOLENOID ASM
9	46-170490P54	1.000	Yes	SPRING-INCH EXTENSION 1 I
20	46-170686P2	AR	Yes	LOCTITE 242, 10CC
1	46-296233	0.000		HOME LATCH ASSEMBLY
2	2146883	1.000	No	ZEUSTABLE HOME LATCH BRAC
3	46-278164P2	1.000	No	PIVOT BLOCK G2 HOME LATCH
4	46-278154P1	1.000	No	BAR
5	46-278153P1	1.000	No	BRACKET
6	46-278495P1	1.000	No	ARM
7	46-278494P1	1.000	No	SPRING BRACKET
10	46-170497P36	3.000	No	SCREW
11	46-208732P14	1.000	No	SCREW
12	46-170012P63	1.000	No	0010-32 HEX .375 NUT HT
13	46-170020P80	1.000	No	NOMINAL DIA 0.250 X 0.750
14	46-170020P66	1.000	No	NOMINAL DIA 0.125 X 0.250
15	46-170020P85	1.000	No	NOMINAL DIA 0.125 X 0.75
16	403B335P17	1.000	No	02 POSITION TERMINAL STRI
17	403B320P94	1.000	No	2 POSITION MARKER STRIP,
18	46-170497P38	2.000	No	SCREW
19	46-170497P7	4.000	No	SCREW

Table 2-24 Latch Assembly (46-296233G2 BOM, rev 2)

2.4.3 Zeus Table, w/Hiwatha (46-296235G2)

FRU = YES

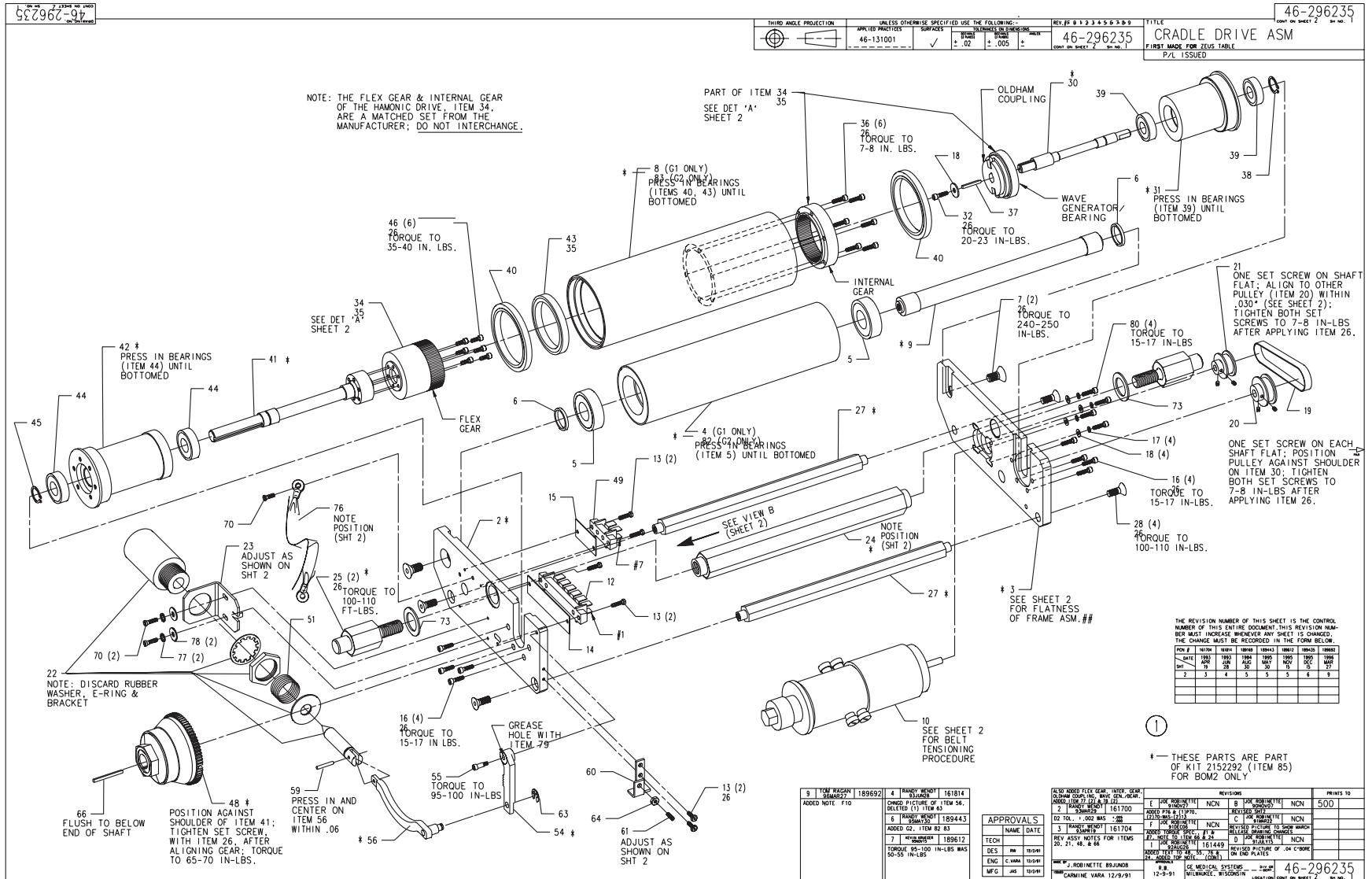


Figure 2-40 Zeus Table, w/Hiwatha (46-296235, sheet 1, rev 9)

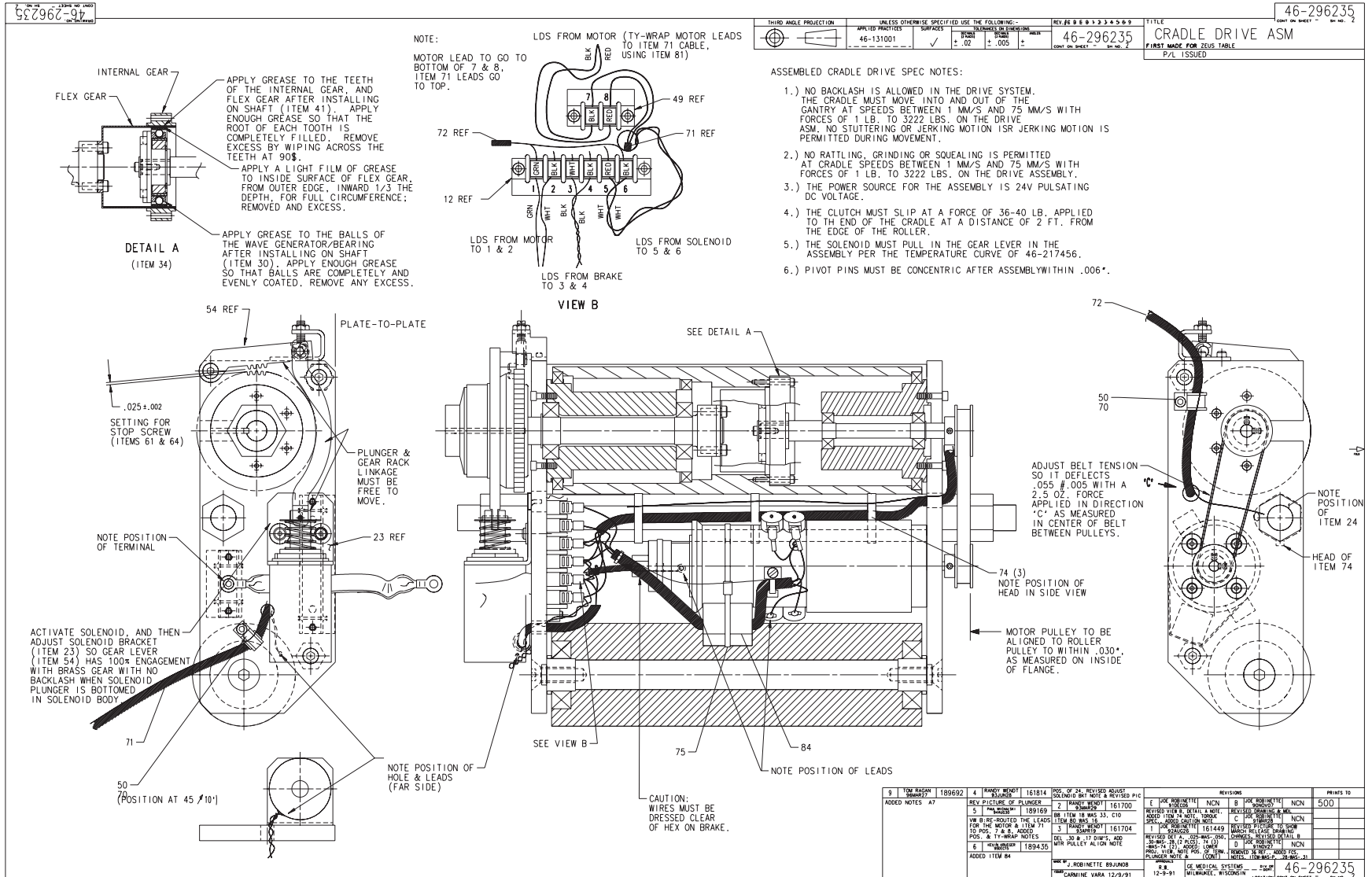


Figure 2-41 Zeus Table, w/Hiwatha (46-296235, sheet 2, rev 9)

MARK	NUMBER	QTY	FRU	DESCRIPTION/NAME
19	46-221532P18	1.000	Yes	PITCH 1/5 WIDTH 00.250
22	46-296972G1	1.000	Yes	SOLENOID ASM
26	46-170686P2	AR	Yes	LOCTITE 242, 10CC
75	46-208758P9	1.000	Yes	11.08"X .140" SELF-LOCKIN
78	12-276	2.000	Yes	ID 0.2040 OD 0.5630 THK .
79	46-170623P2	AR	Yes	BLACK, HEAVY-DUTY LUBRICA
81	46-208758P10	1.000	Yes	8.00" X .094" SELF-LOCKIN
1	46-296235	0.000		CRADLE DRIVE ASSEMBLY
5	46-136282P30	2.000	No	BEARING BALL, SINGLE RO 2
6	46-212989P2	2.000	No	WASHER
7	46-208562P8	2.000	No	SCREW 3/8X16X1" FLAT HEAD
10	46-278575P1	1.000	No	SERVO MOTOR
12	403B335P10	1.000	No	06 POSITION TERMINAL STRI
13	46-170497P38	6.000	No	SCREW
14	403B320P86	1.000	No	NUMBERS 1 THU 6, LEFT TO
15	403B320P97	1.000	No	2 POSITION MARKER ST
16	46-170498P80	8.000	No	SCREW
17	46-220181P3	4.000	No	WASHER HELICAL#6 SCREW SI
18	1000904P116	5.000	No	ID 0.1495 OD 0.6250 THK .
20	46-170576P7	1.000	No	PITCH 1/5 TEETH 0L6 FAC
21	46-170576P6	1.000	No	PITCH 1/5 TEETH 013 FAC
23A	46-296107P1	1.000	No	SOLENOID BRACKET
23B	2261718	ALT	No	BRACKET, SOLENOID, (REF 4
28	46-208562P7	4.000	No	SCREW
32	46-170498P79	1.000	No	SCREW
34	46-222894P1	1.000	No	USM CORP HDC3C-86-2BL
35	46-221451P1	AR	No	EXXON BEACON 325 35 LB P
36	46-170498P115	6.000	No	SCREW
37A	46-217252P4	1.000	No	0.0938 SQ X 0.60 LG STL

Table 2-25 Zeus Table, w/Hiwatha (46-296235G2 BOM, rev 6)

MARK	NUMBER	QTY	FRU	DESCRIPTION/NAME
37B	2265865	ALT	No	KEY 2.38SQX15MMLG (REF 46
38	46-220179P8	1.000	No	EXT AXIAL MOUNT 0.375 SHA
39	46-136282P33	2.000	No	BEARING
40	46-136294P9	2.000	No	BEARING
43	46-136303P10	1.000	No	BEARING
44	46-136282P62	2.000	No	BEARING BALL, SINGLE RO 1
45	46-220179P34	1.000	No	EXT AXIAL MOUNT 0.669 SHA
46	46-170498P84	6.000	No	SCREW, CAP SOCKET HEAD 8-
49	403B335P17	1.000	No	02 POSITION TERMINAL STRI
50	46-208718P2	2.000	No	5/16 ID LOOP TYPE TA MFG
51	509A859P69	1.000	No	SPRING-INCH COMPRESSION 1
55	46-297820P1	1.000	No	SHOULDER SCREW
59	46-311873P8	1.000	No	PIN, M3 X 18
60A	46-296084P1	1.000	No	STOP BRACKET
60B	2261717	ALT	No	BRACKET, STOP, (REF 46-29
61	46-221560P4	1.000	No	SCREW
63	46-220277P6	1.000	No	EXT RADIAL MOUNT 0.219 SH
64	46-170012P63	1.000	No	0010-32 HEX .375 NUT HT
66A	46-140913P48	1.000	No	.1875 SQ X 2.00 LONG
66B	2265865-2	ALT	No	KEY 4.76SQX50MMLG
70	46-170497P7	5.000	No	SCREW
71	46-297117G1	1.000	No	CRDR PWR CBL
72	46-297118G1	1.000	No	CRDR SIG CBL
73	1000904P514	2.000	No	I.D. 0.789 O.D. 1.100
74	46-208758P3	3.000	No	7.31" X .184" SELF-LOCKIN
76	46-297155G1	1.000	No	ZEUS TABLE, 9" LONG CABLE
77	46-220181P5	2.000	No	WASHER #10 (.190) SCREW S
80	46-170498P78	4.000	No	SCREW
85	2152292	1.000	No	KIT OF PARTS FOR CRADLE D

Table 2-25 Zeus Table, w/Hiwatha (46-296235G2 BOM, rev 6) (Continued)

2.4.4 Table Encoder Assembly (46-296234G1)

FRU = YES

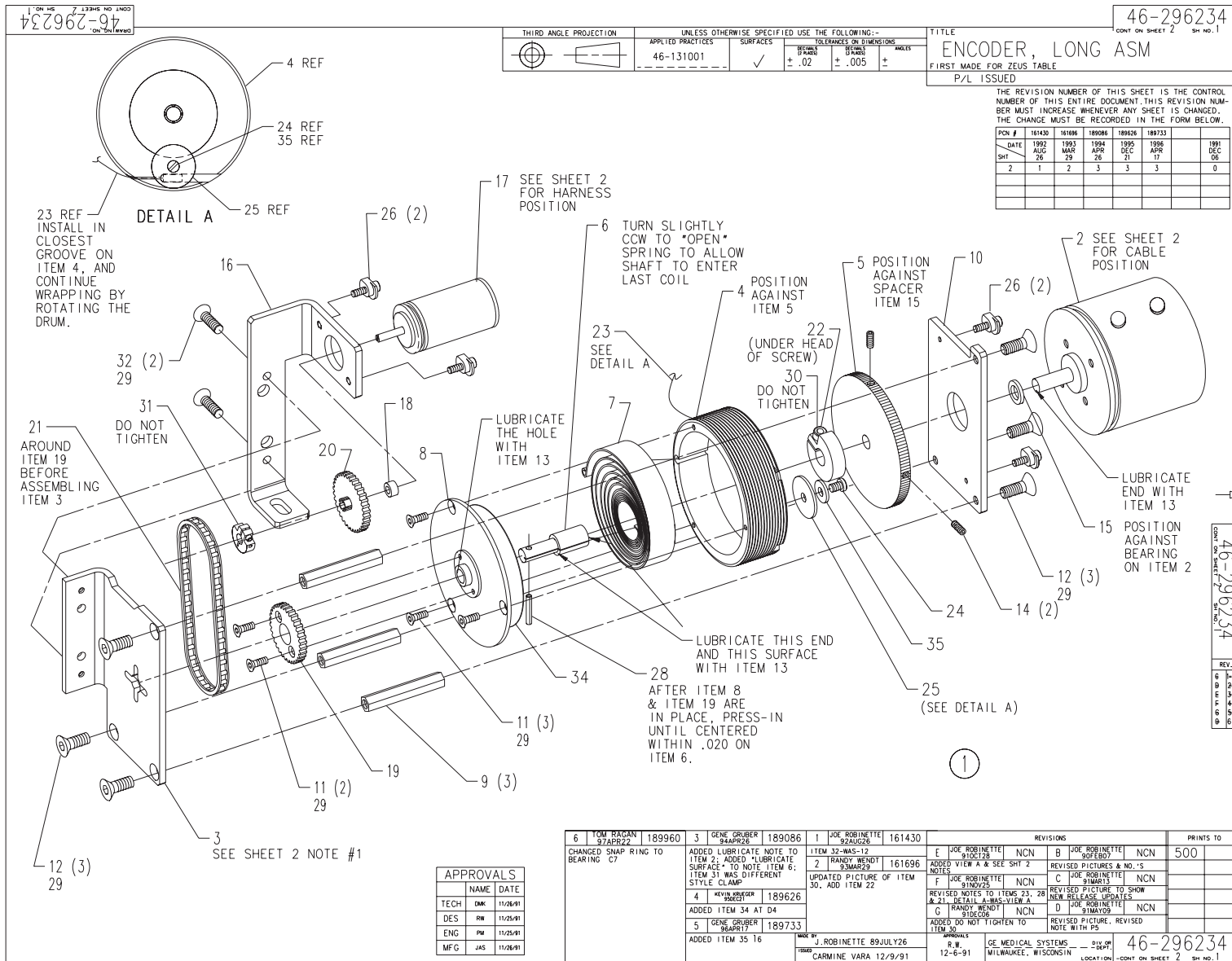


Figure 2-42 Table Encoder Assembly (46-296234, sheet 1, rev 6)

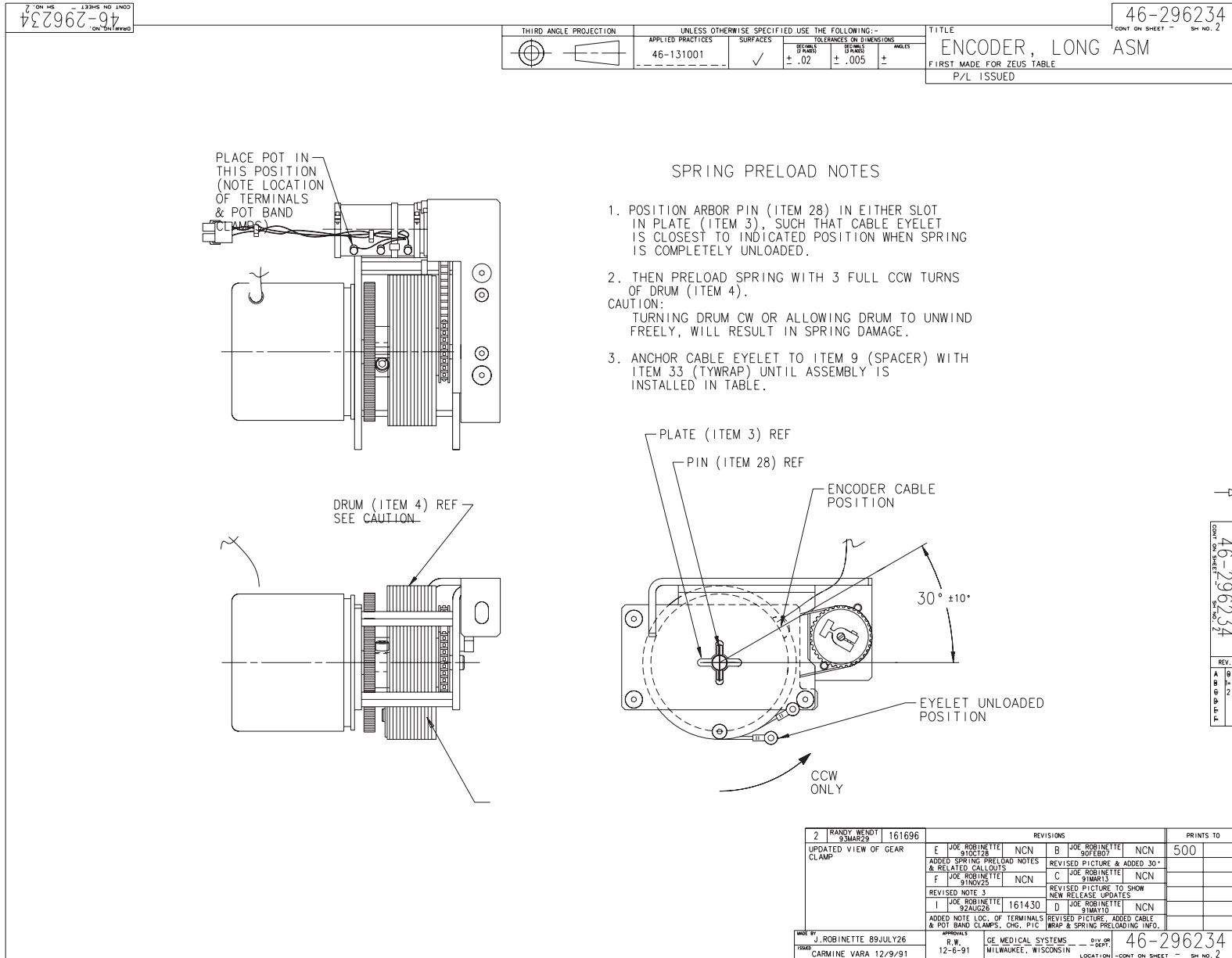


Figure 2-43 Table Encoder Assembly (46-296234, sheet 2, rev 2)

MARK	NUMBER	QTY	FRU	DESCRIPTION/NAME
2	46-296854P2	1.000	Yes	2.5 INCH, 2048 COUNT.REV
13	46-170623P2	AR	Yes	BLACK, HEAVY-DUTY LUBRICA
29	46-170686P2	AR	Yes	LOCTITE 242, 10CC
33	46-208758P1	1.000	Yes	3.62" X .094" CABLE TIE
1	46-296234	0.000		CRADLE ENCODER ASSEMBLY
3	46-296437P1	1.000	No	BRACKET
4	46-296168P1	1.000	No	DRUM
5	46-296169P1	1.000	No	WHEEL
6	46-296893P1	1.000	No	SHFT,SPG,REE
7	46-296171P1	1.000	No	SPRING COIL
8	46-296699P1	1.000	No	COVER
9	46-296173P1	3.000	No	SPACER
10	46-296436P1	1.000	No	ENC MTG PLT
11	46-208562P13	5.000	No	SCREW
12	46-208562P24	6.000	No	SCREW
14	46-208894P1	2.000	No	SCREW
15	46-296946P5	1.000	No	ALUMINUM TUBE, 6061-T6, .
16	46-296435P1	1.000	No	POTEN. BRACKET
17	46-297036G2	1.000	No	POT ASSEMBLY
18	46-296946P2	1.000	No	SPACER
19	46-296438P1	1.000	No	SPROCKET MOD
20	46-296627P4	1.000	No	SPROCKET
21	46-286100P5	1.000	No	75 PITCHES, 7.365 INCH LE
22	46-297539P2	1.000	No	NO. 6 HI-COLLAR SPRING,
23	46-296781P1	1.000	No	CABLE
24	46-170497P42	1.000	No	SCREW
25	12-1723	1.000	No	ID 0.1590 OD 0.7500 THK .

Table 2-26 Table Encoder Assembly (46-296234G1 BOM, rev 9)

MARK	NUMBER	QTY	FRU	DESCRIPTION/NAME
26	46-296780P2	4.000	No	SYN-CLAMP
28	46-208735P38	1.000	No	SPLIT LENGTHWISE .094 DIA
30	46-170528P23	1.000	No	SHAFT SIZE .250 MAT 2024-
31	46-170528P70	1.000	No	CLAMP
32	46-208562P36	2.000	No	SCREW
34	2149553	1.000	No	TEFLON SPACER .010 THK, 2
35	46-297539P2	1.000	No	NO. 6 HI-COLLAR SPRING,

Table 2-26 Table Encoder Assembly (46-296234G1 BOM, rev 9) (Continued)

2.4.5 Power Assembly (46-296791G2)

FRU = NO

USED ON:
 2271241

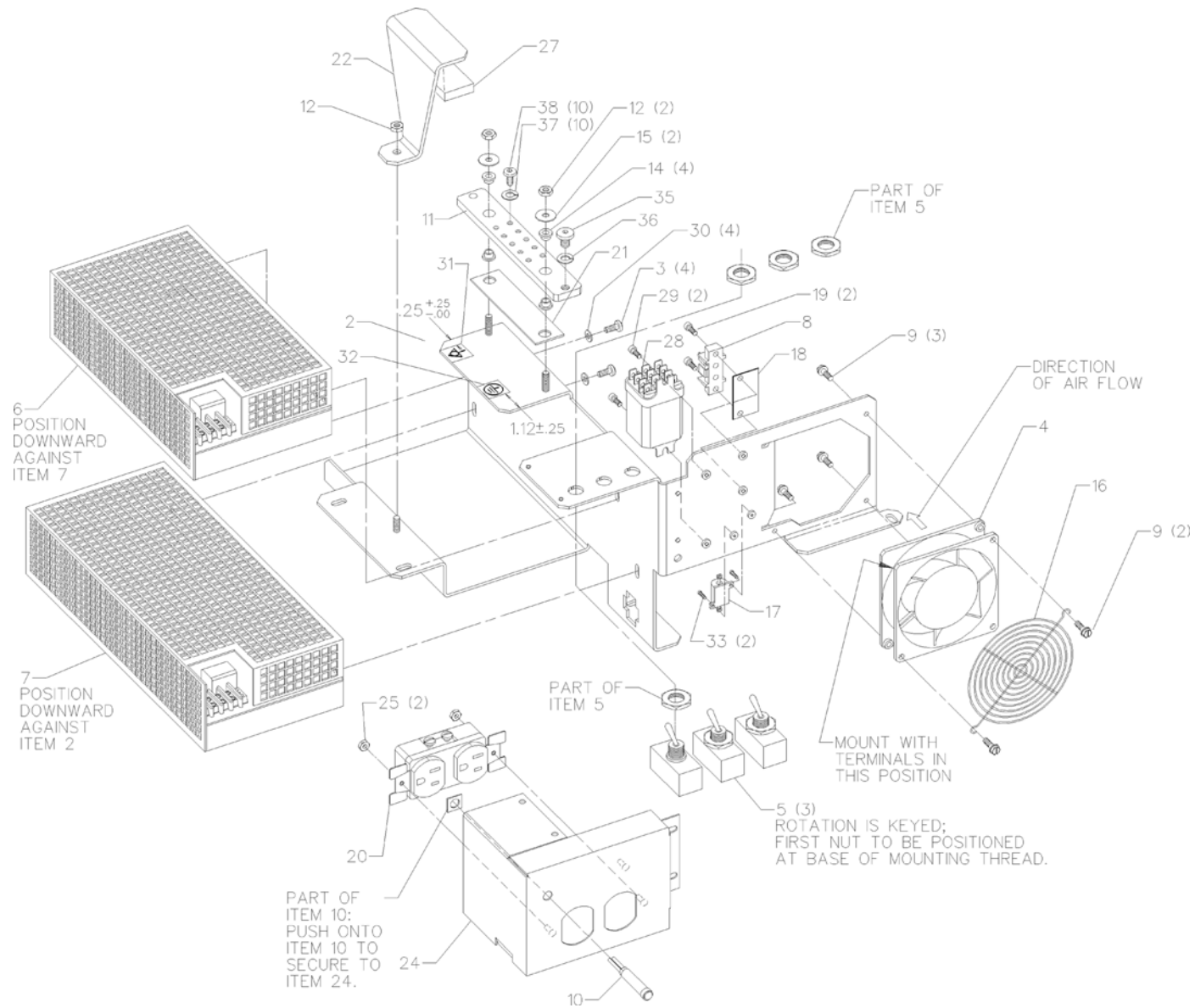


Figure 2-44 Power Assembly (46-296791, sheet 1, rev 8)

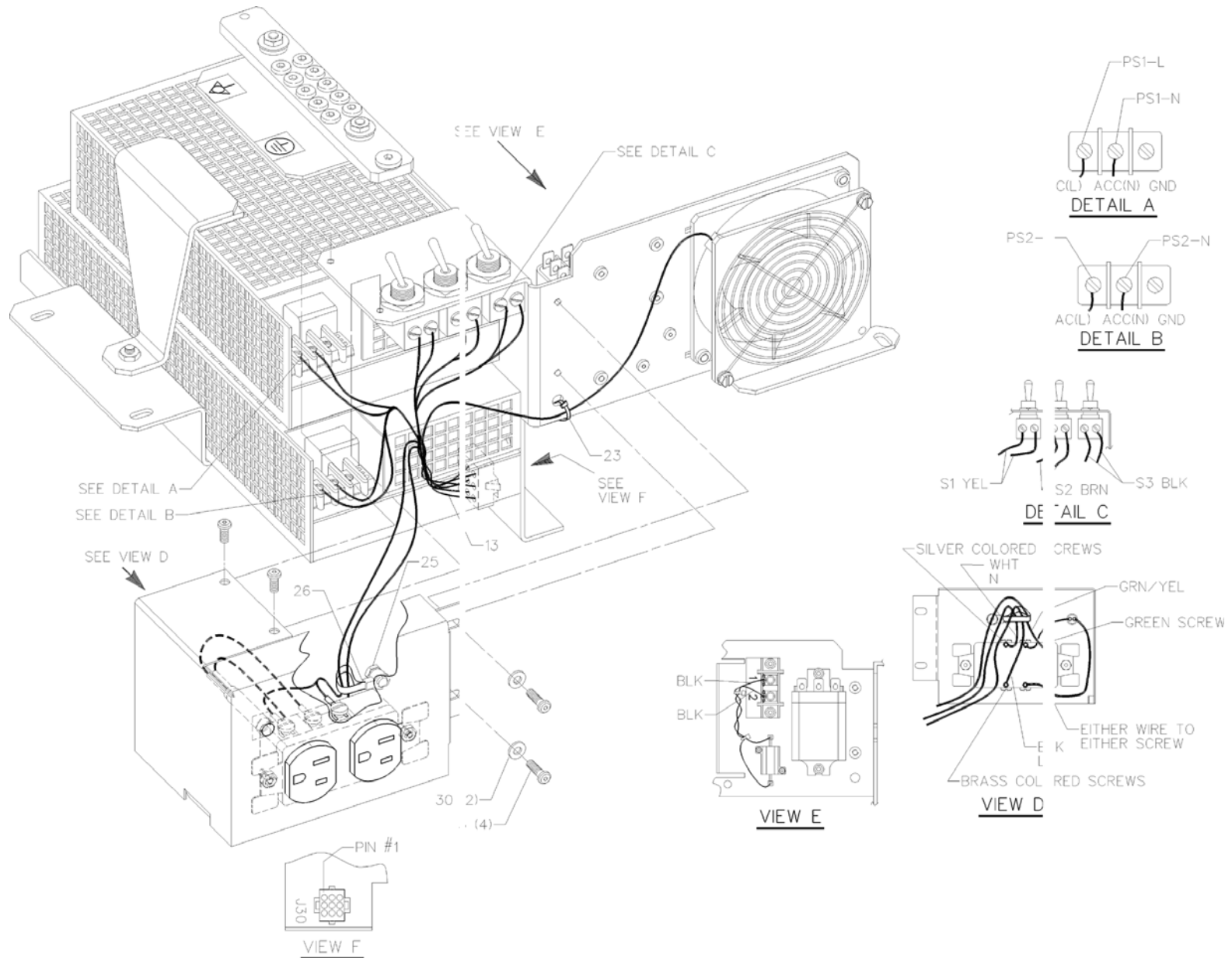


Figure 2-45 Power Assembly (46-296791, sheet 2, rev 8)

MARK	NUMBER	QTY	FRU	DESCRIPTION/NAME
4	46-229455P1	1.000	Yes	FAN TUBEAXIAL
5	46-297093P1	3.000	Yes	SPST, AC/DC TOGGLE S
6	46-296316P2	1.000	Yes	EMC POWER SUPPLY SINGLE O
7	46-296317P3	1.000	Yes	OBC-STC & TABLE EMC POWER
10	46-221914P3	1.000	Yes	INDICATOR LIGHT W/ BUILT-
13	46-297088G1	1.000	Yes	POWER ASSEMBLY HARNESS
16	46-220489P2	1.000	Yes	FAN ACCESSORIES FINGER GU
23	46-208758P1	1.000	Yes	3.62" X .094" CABLE TIE
26	46-208759P6	1.000	Yes	7.81" X .184" SELF-LOCKIN
28	46-170053P13	1.000	Yes	3PDT, 12V DC RELAY (EN
2	46-296973P1	1.000	No	POWER SUPPORT BRACKET
3	46-170497P6	8.000	No	SCREW
8	403B335P17	1.000	No	02 POSITION TERMINAL STRI
9	46-208734P26	5.000	No	SCREW
11	46-297132P1	1.000	No	GROUND BAR
12	46-170012P63	3.000	No	0010-32 HEX .375 NUT HT
14	512A720P16	4.000	No	ID .219 OD .562 THK .11
15	1000904P329	2.000	No	ID 0.1960 OD 0.6250 THK .
17	46-297734G1	1.000	No	RESISTOR ASM
18	403B320P94	1.000	No	2 POSITION MARKER STRIP,
19	46-170497P38	2.000	No	SCREW
20	46-278446P1	1.000	No	15A, 125VAC, 2 POLE, 3 WI
21	46-297325P1	1.000	No	FISHPAPER
22	46-297323P1	1.000	No	POWER SUPPLY BRACKET
24	46-297340P1	1.000	No	COVER
25	46-170012P61	3.000	No	0006-32 HEX .313 NUT HT
27	46-170171P22	AR	No	TAPE OLD

Table 2-27 Power Assembly (46-296791G2 BOM, rev 2)

MARK	NUMBER	QTY	FRU	DESCRIPTION/NAME
29	46-170497P58	2.000	No	SCREW
30	1000904P33	6.000	No	ID 0.173 OD 0.375 THK .
31	46-271110P5	1.000	No	LABEL OLD
32	46-271110P1	1.000	No	LABEL, PROTECTIVE EARTH (
33	46-208560P53	2.000	No	SCREW
35	46-170497P64	1.000	No	SCREW
36	46-220181P6	1.000	No	1/4" SCREW SIZE (0.250),
37	46-220181P5	10.000	No	WASHER #10 (.190) SCREW S
38	46-170497P7	10.000	No	SCREW

Table 2-27 Power Assembly (46-296791G2 BOM, rev 2) (Continued)

2.4.6 Elevation Encoder Assembly (46-296633G3)

FRU = YES

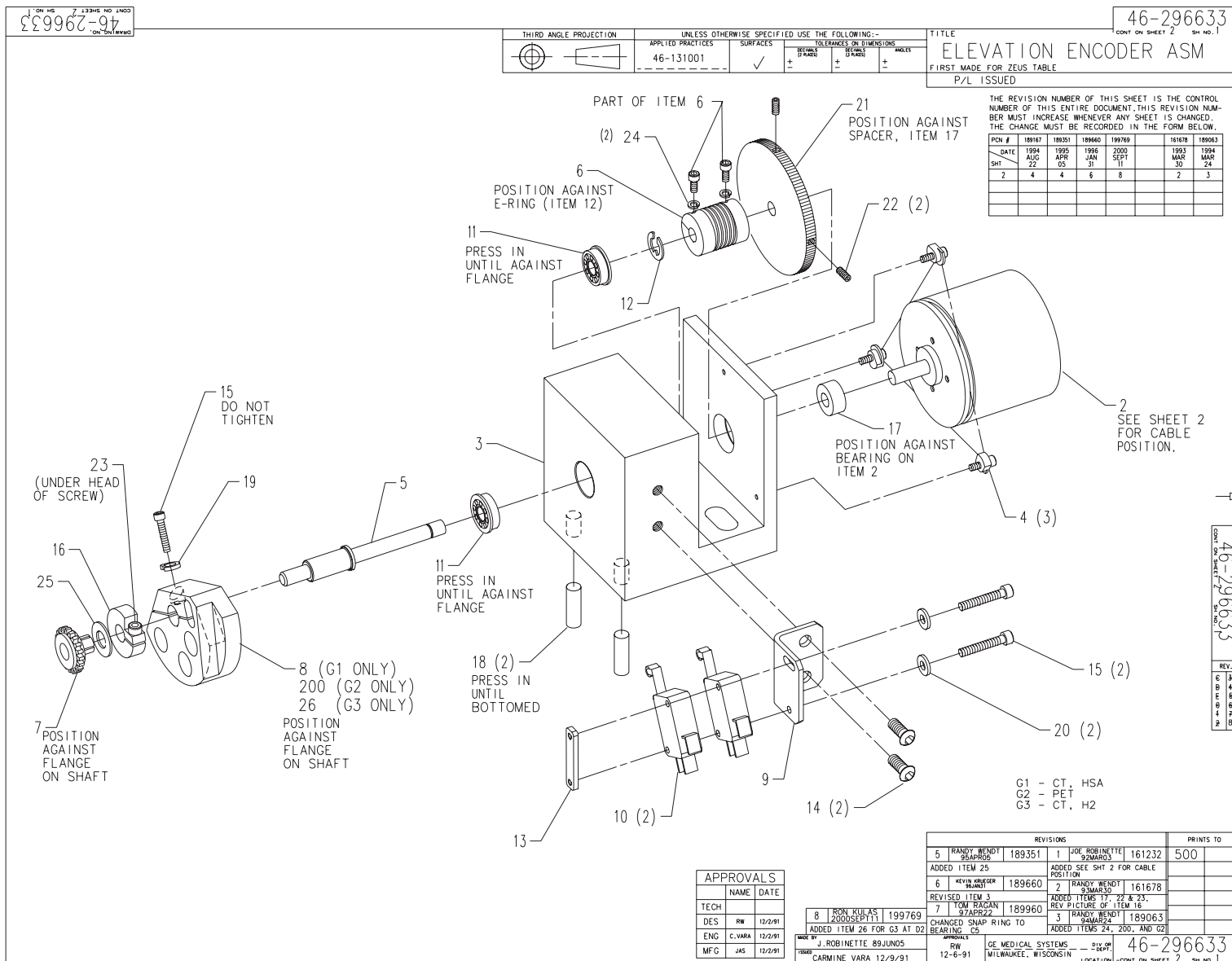


Figure 2-46 Elevation Encoder Assembly (46-296633G3, sheet 1, rev 8)

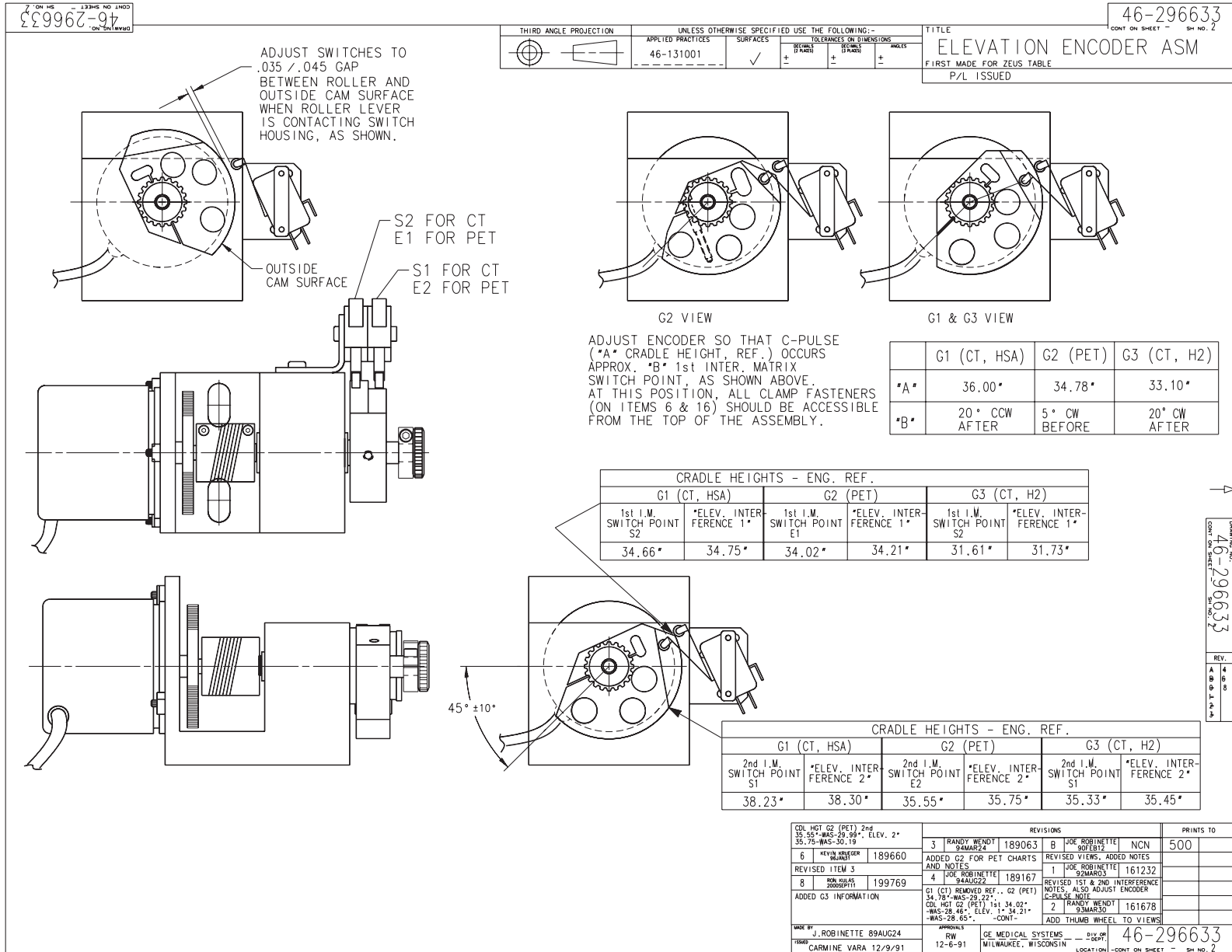


Figure 2-47 Elevation Encoder Assembly (46-296633G3, sheet 2, rev 8)

MARK	NUMBER	QTY	FRU	DESCRIPTION/NAME
2	46-296854P2	1.000	Yes	2.5 INCH, 2048 COUNT.REV
10	46-136334P57	2.000	Yes	SPDT, MINIATURE BASIC
17	46-296946P6	1.000	Yes	ALUMINUM TUBE, 6061-T6, .
1	46-296633	0.000		ELEVATION ENCODER ASSEMBL
3	46-296772P1	1.000	Noh	BLOCK
4	46-296780P2	3.000	No	SYN-CLAMP
5	46-296631P1	1.000	No	ENCODER SHAFT
6	46-296259P4	1.000	No	ADAPTER
7	46-170048P8	1.000	No	MIN-E-PITCH, 16 T, PD 0.8
9	46-296944P1	1.000	No	SWITCH BRACKET
11	46-136282P75	2.000	No	BEARING
12	46-220277P7	1.000	No	EXT RADIAL MOUNT 0.250 SH
13	46-296945P1	1.000	No	NUT PLATE
14	46-170497P7	2.000	No	SCREW
15	46-170498P125	3.000	No	SCREW
16	46-170528P23	1.000	No	SHAFT SIZE .250 MAT 2024-
18	46-170020P63	2.000	No	NOMINAL DIA 0.250 X 0.625
19	46-220181P2	1.000	No	#4 SCREW SIZE (0.112), ST
20	1000904P438	2.000	No	ID 0.12, OD 0.312, THK .0
21	46-296169P1	1.000	No	WHEEL
22	46-208894P1	2.000	No	SCREW
23	46-297539P2	1.000	No	NO. 6 HI-COLLAR SPRING,
24	1000904P519	2.000	No	WASHER .117 ID .190 OD X
25	46-220205P1	1.000	No	ID 0.3125 OD 0.75 THK
26	46-296636P3	1.000	No	ELEVATION SWITCH CAM FOR

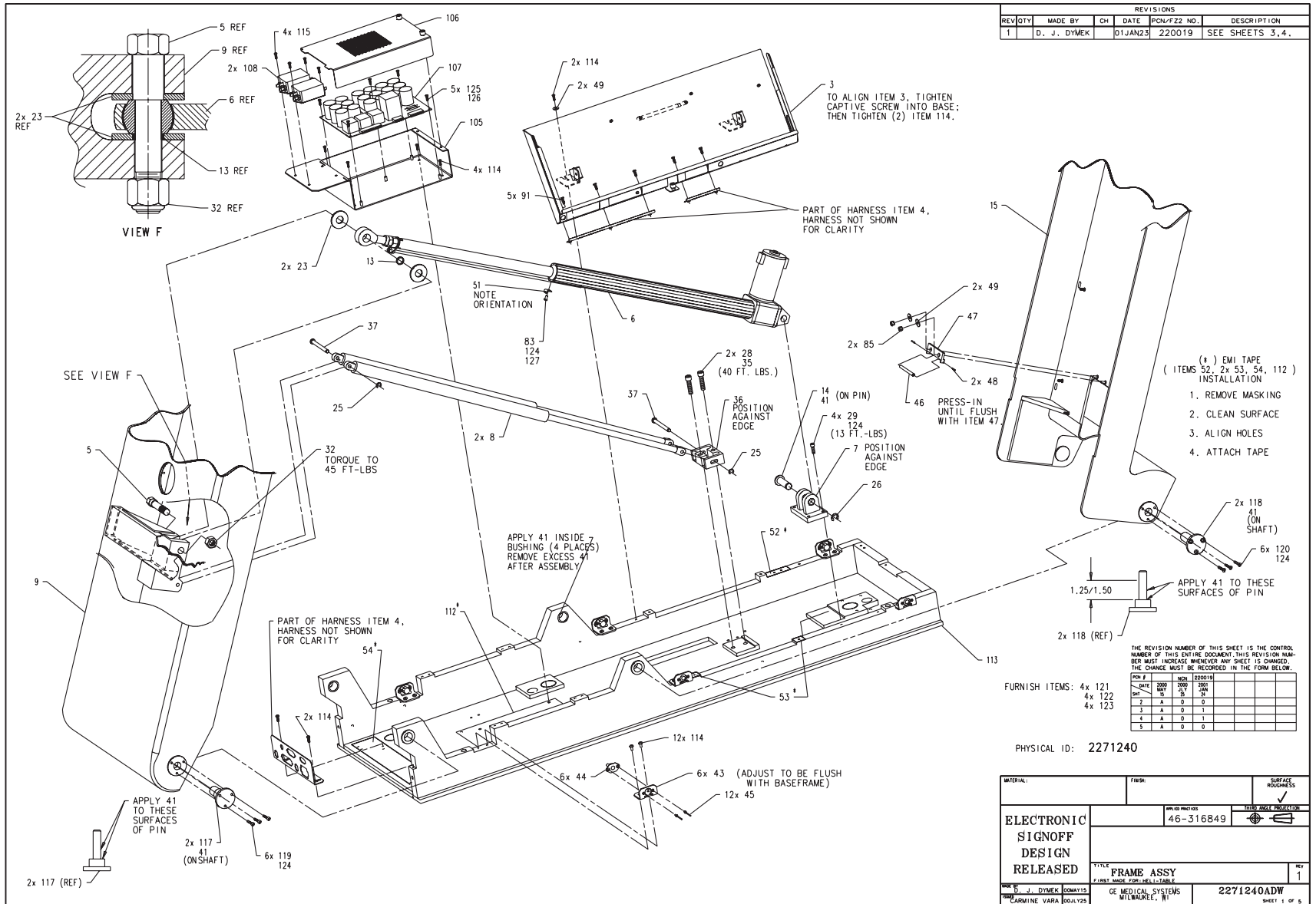
Table 2-28 Elevation Encoder Assembly (46-296633G3 BOM, rev 2)

This Page Intentionally Blank.

2.4.7 Table Frame Assembly (2271240)

FRU = NO

USED ON:
2271241



REVISIONS					
REV QTY	MADE BY	CH	DATE	PCN/FZZ NO.	DESCRIPTION
1	D. J. DYMEK		01JAN23	220019	SEE SHEETS 3, 4.

REV #	DATE	BY	APP	REASON
1	01JAN23	DJ		
2		A	0	0
3		A	0	1
4		A	0	1
5		A	0	0

MATERIAL:		FINISH:		SURFACE PROTECTION:	
ELECTRONIC SIGNOFF DESIGN RELEASED		46-316849		<input checked="" type="checkbox"/> SURFACE PROTECTION	
TITLE: FRAME ASSY		REV: 1			
BY: S. J. DYMEK		DATE: 01JAN23		2271240DW	
CHKD: CAROLINE VARRA		APPROVED: GE MEDICAL SYSTEMS MILWAUKEE, WI		SHEET 1 OF 5	

Figure 2-48 Frame Assembly, Table (2271240, sheet 1, rev 1)

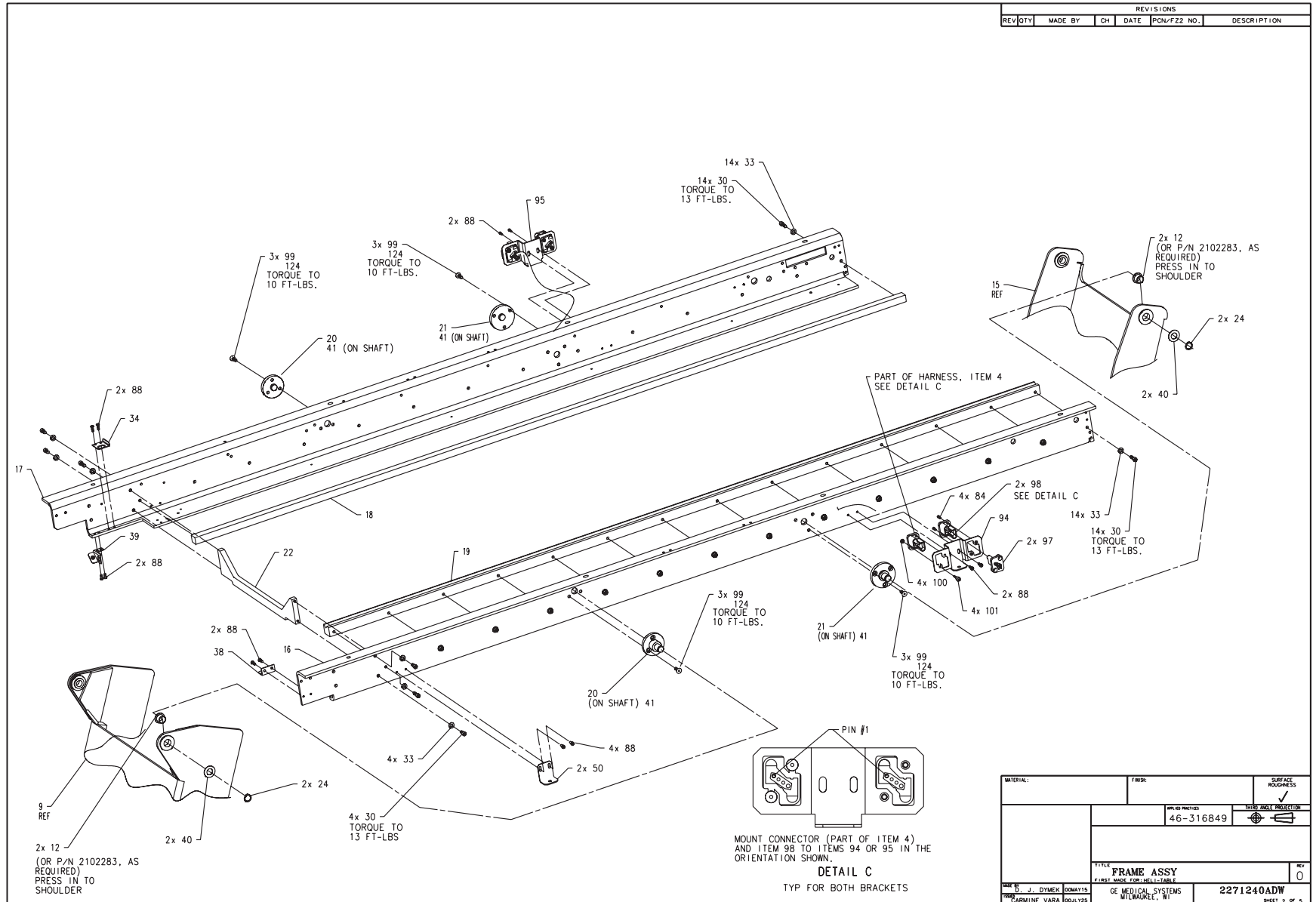


Figure 2-49 Frame Assembly, Table (2271240, sheet 2, rev 0)

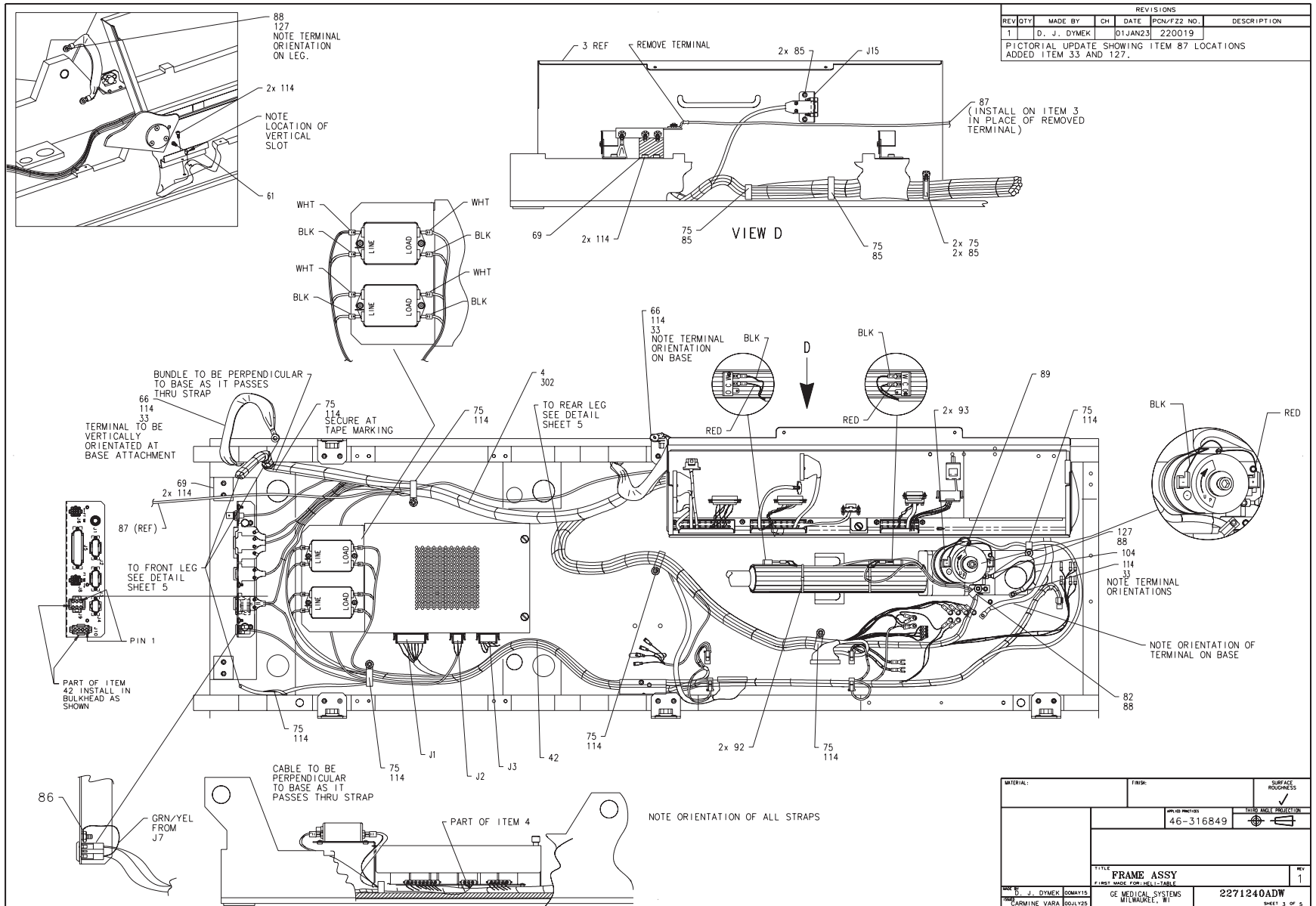


Figure 2-50 Frame Assembly, Table (2271240, sheet 3, rev 1)

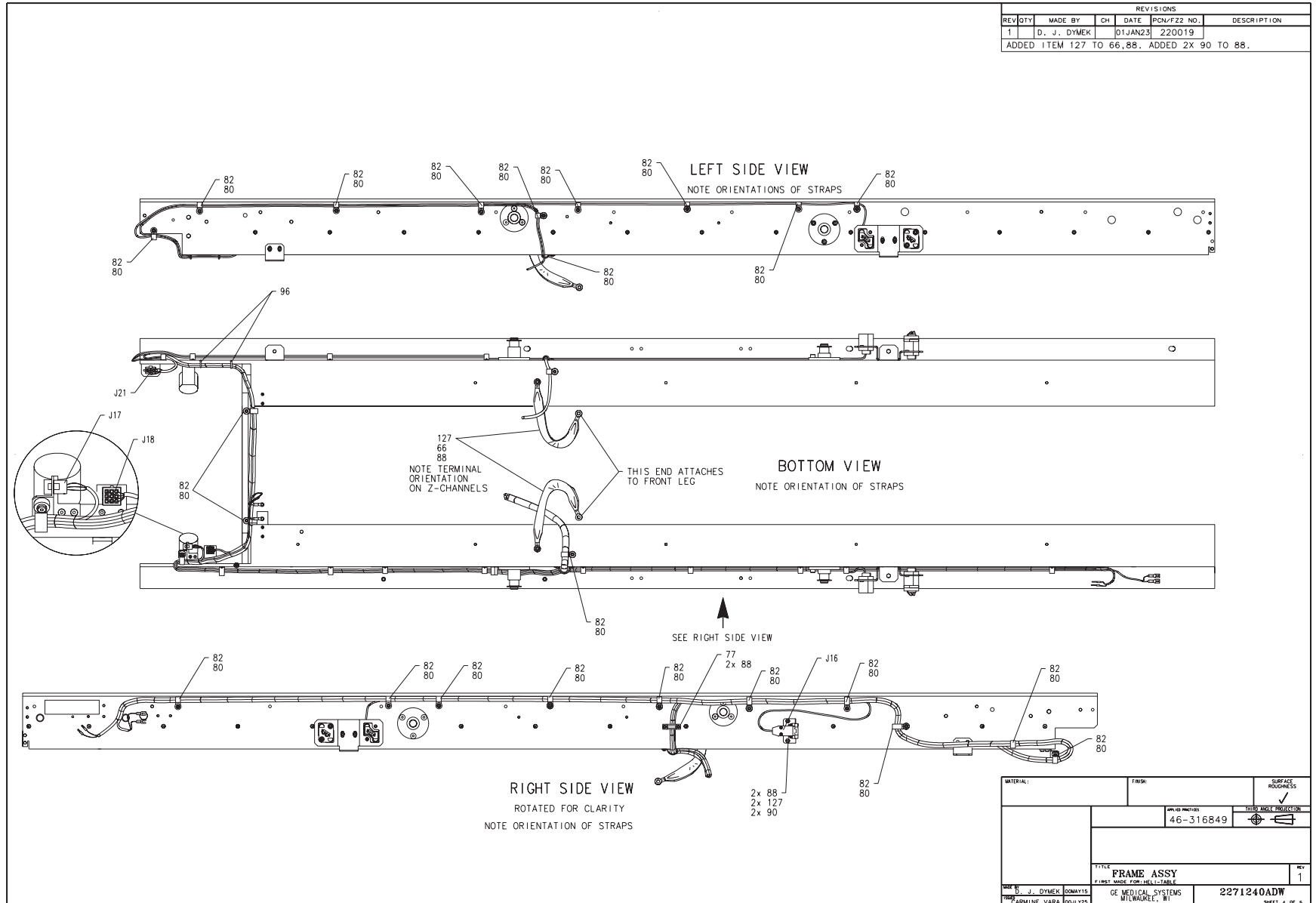


Figure 2-51 Frame Assembly, Table (2271240, sheet 4, rev 1)

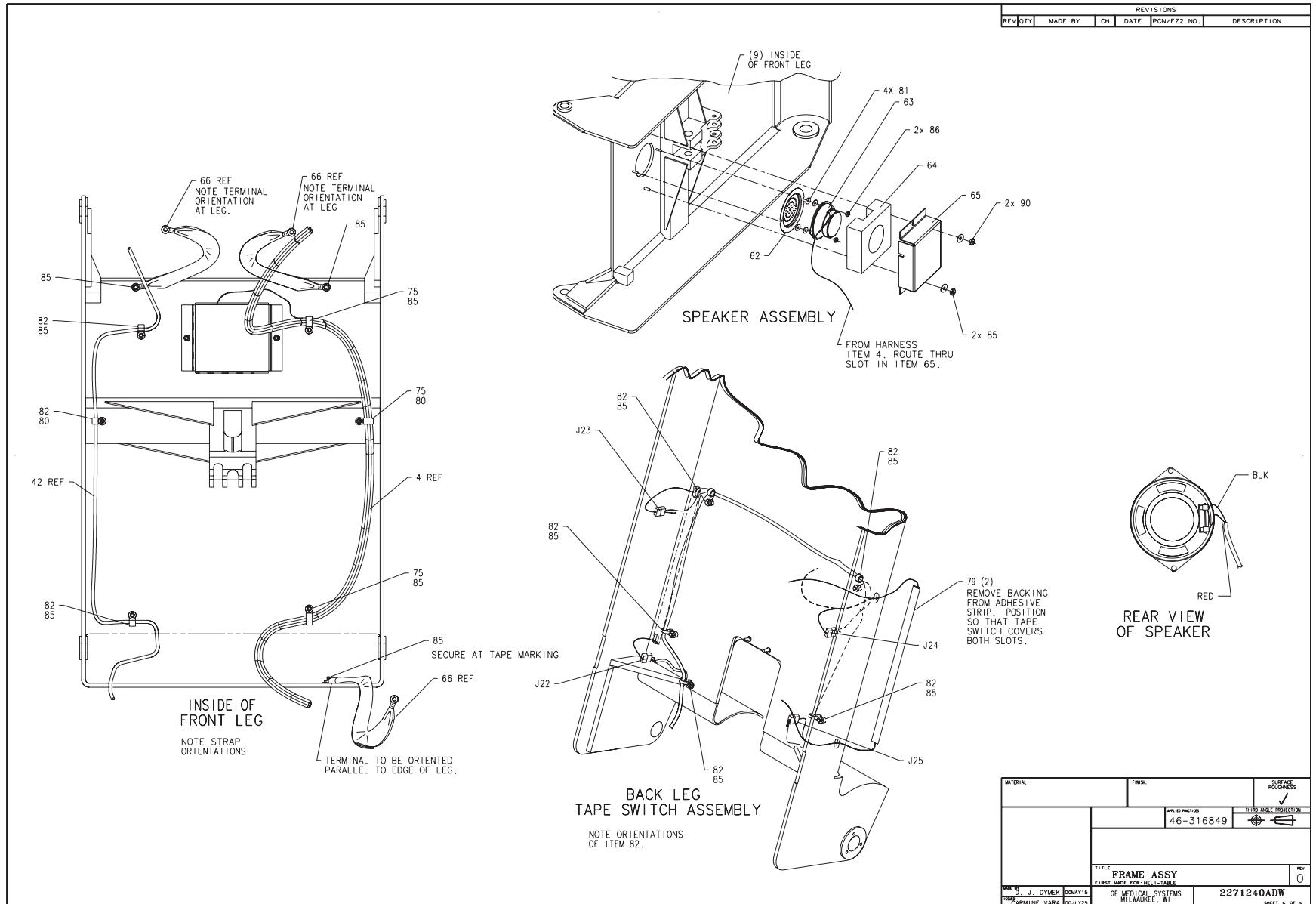


Figure 2-52 Frame Assembly, Table (2271240, sheet 5, rev 0)

MARK	NUMBER	QTY	FRU	DESCRIPTION/NAME
4	2271256	1.000	Yes	SIGNAL HARNESS FOR H2 TAB
6	2294322	1.000	Yes	ACTUATOR, LINEAR
-	46-296561P11	-	Yes	MAGNET ROD
8	2100671	2.000	Yes	SUSPA # 016-03570 C (ZEUS
13	46-296771P1	1.000	Yes	ROD END SPACER
14	46-278310P1	1.000	Yes	ACTUATOR PIN
23	46-297350P1	2.000	Yes	SPACER
35	46-170684P1	AR	Yes	LOCTITE 271, 0.5CC VIAL
42	2266015	1.000	Yes	TABLE POWER HARNESS
50	2138099	2.000	Yes	ZEUS TABLE TOP COVER MTG
63	46-297687P1	1.000	Yes	8 OHM, 4W, 3-1/2" SPE
75	46-208759P4	14.000	Yes	13.93"X .301" SELF-LOCKIN
79	46-297698P1	2.000	Yes	11" LOW PROFILE BEAD, RIB
82	46-208759P1	34.000	Yes	7.81" X .184" SELF-LOCKIN
92	46-208758P9	2.000	Yes	11.08"X .140" SELF-LOCKIN
93	46-208758P5	2.000	Yes	SELF LOCKING CABLE TIE
97	46-297805G1	2.000	Yes	JUMPER CONN.
98	46-297805G2	2.000	Yes	JUMPER CONN.
104	2106866-2	1.000	Yes	.75 IN WIDE INSULATED CAB
105	2114431	1.000	Yes	T/E POWER SUPPLY
106	2114433	1.000	Yes	EMC PROJECT/COVER/TILT EL
107	2113411	1.000	Yes	170 VOLT POWER SUPPLY
108	46-297335P2	2.000	Yes	6.90A, 250V 2-STAGE PWR L
120	46-208562P20	6.000	Yes	SCREW
3	2118716	1.000	No	EMC ETC CPU
5	46-296770P1	1.000	No	ROD END PIN
7	2133760-2	1.000	No	ZEUS TABLE ACTUATOR BASE

Table 2-29 Frame Assembly (2271240 BOM, rev 6)

MARK	NUMBER	QTY	FRU	DESCRIPTION/NAME
9	2271296-2	1.000	No	FRONT LEG FOR H2 HCC CATH
12	46-136342P135	4.000	No	BUSHING
15	2271297-2	1.000	No	REAR LEG FOR H2 HCC CATHA
16	2138098	1.000	No	ZEUS TABLE LEFT SUPPORT C
17	2138097	1.000	No	ZEUS TABLE RIGHT SUPPORT
18	46-278261P1	1.000	No	CHANNEL
19	46-278262P1	1.000	No	V RAIL
20	2140091	2.000	No	ZEUS TABLE TOP FRONT PIVO
21	2140092	2.000	No	ZEUS TABLE TOP REAR PIVOT
22	46-296811P1	1.000	No	STAGE FIXT
24	46-220179P15	4.000	No	EXT AXIAL MOUNT 0.625 SHA
25	46-220277P15	2.000	No	EXT RADIAL MOUNT 0.312 SH
26	46-220277P11	1.000	No	EXT RADIAL MOUNT 0.625 SH
28	46-328417P26	2.000	No	SCREW HEXAGON SOCKET 10 M
29	46-328417P15	4.000	No	SCREW HEXAGON SOCKET 6 MM
30	46-170498P14	32.000	No	SCREW
32	46-170012P81	1.000	No	005/8-18 HEX .940 NUT
33	46-220181P6	35.000	No	1/4" SCREW SIZE (0.250),
34	46-297055P1	1.000	No	CONN BRACKET
36	46-297435P1	1.000	No	MTG BLOCK
37	46-297436P1	2.000	No	
38	46-297056P1	1.000	No	CONN BRACKET
39	46-297263P1	1.000	No	BRACKET
40	12-128	4.000	No	WASHER,FLAT
41	46-170623P2	AR	No	BLACK, HEAVY-DUTY LUBRICA
43	46-297205P1	6.000	No	BAS CVR BRKT
44	46-297329P2	6.000	No	1/4 TURN RECEPTACLE - FIX
45	46-220186P20	12.000	No	1/8" 120 DEGREE COUNTERSU

Table 2-29 Frame Assembly (2271240 BOM, rev 6) (Continued)

MARK	NUMBER	QTY	FRU	DESCRIPTION/NAME
46	46-296889P1	1.000	No	BAR
47	46-296890P1	1.000	No	ROLLER MOUNT
48	46-170020P2	2.000	No	NOMINAL DIA 0.0938X 0.500
49	12-275	4.000	No	WASHER, ID .2656, OD.75,
51	46-297677P1	1.000	No	SPRING CLIP
52	46-297705P2	1.000	No	CONDUCTIVE TAPE
53	46-297705P14	2.000	No	METALLIC CONDUCTIVE TAPE
54	46-297705P4	1.000	No	MET-CON TAPE
55	46-170497P66	1.000	No	SCREW
61	46-297343P2	1.000	No	ZEUS TABLE CABLE TROUGH
62	46-297684P1	1.000	No	SPKR GRILL
64	46-297686P2	1.000	No	SPEAKER INSULATION FOR H2
65	46-297685P2	1.000	No	SPEAKER COVER FOR H2 HCC
66	46-297155G1	4.000	No	ZEUS TABLE, 9" LONG CABLE
69	46-297427P1	3.000	No	GROUNDING STRAP CLAMP
77	46-297648P1	1.000	No	CABLE CLAMP
80	2146815	25.000	No	10-32 X 1/2 HEX SOC BUTTO
81	1000904P395	4.000	No	ID 0.177 OD 0.312 THK .
83	46-208560P46	1.000	No	SCREW
84	46-170497P38	4.000	No	SCREW
85	46-170012P63	24.000	No	0010-32 HEX .375 NUT HT
86	46-170012P61	3.000	No	0006-32 HEX .313 NUT HT
87	2275854	1.000	No	GROUND - TABLE TO RACEWAY
88	2146815-2	22.000	No	10-32 X 3/8 HEX SOC BUTTO
89	46-297731P1	1.000	No	MOTOR LABEL
90	12-276	4.000	No	ID 0.2040 OD 0.5630 THK .
91	46-170497P36	5.000	No	SCREW
94	2138105	1.000	No	TOP COVER CONNECTION BRAC

Table 2-29 Frame Assembly (2271240 BOM, rev 6) (Continued)

MARK	NUMBER	QTY	FRU	DESCRIPTION/NAME
95	2138105-2	1.000	No	TOP COVER CONNECTION BRAC
96	46-208758P1	4.000	No	3.62" X .094" CABLE TIE
99	46-208562P7	12.000	No	SCREW
100	46-170012P62	4.000	No	0008-32 HEX .343 NUT HT
101	46-297858P1	4.000	No	SHOULDER SCREW
112	46-297705P10	1.000	No	METALLIC CONDUCTIVE 3M-SC
113	2132187-2	1.000	No	EMC COST REDUCED TABLE BA
114	46-328417P12	38.000	No	SCREW HEXAGON SOCKET 6 MM
115	46-170015P3	4.000	No	SCREW SEMS 8-32 X .312, E
117	2136121	2.000	No	ZEUS TABLE LOWER LEG PIVO
118	2138104	2.000	No	REAR LEG LOWER PIVOT PIN
119	46-170498P32	6.000	No	SCREW
121	46-328416P23	4.000	No	SCREW HEXAGON HEAD 10 MM
122	46-328431P3	4.000	No	WASHER PLAIN - LARGE 10.5
123	46-328432P4	4.000	No	WASHER LOCK - SPRING 10.2
124	46-170686P2	AR	No	LOCTITE 242, 10CC
125	46-170015P27	5.000	No	SCREW
126	12-297	5.000	No	ID 0.140 OD 0.312 THK .
127	46-220181P5	6.000	No	WASHER #10 (.190) SCREW S

Table 2-29 Frame Assembly (2271240 BOM, rev 6) (Continued)

This Page Intentionally Blank.

Section 3.0 — Footswitch Assembly (2330508)

FRU = NO

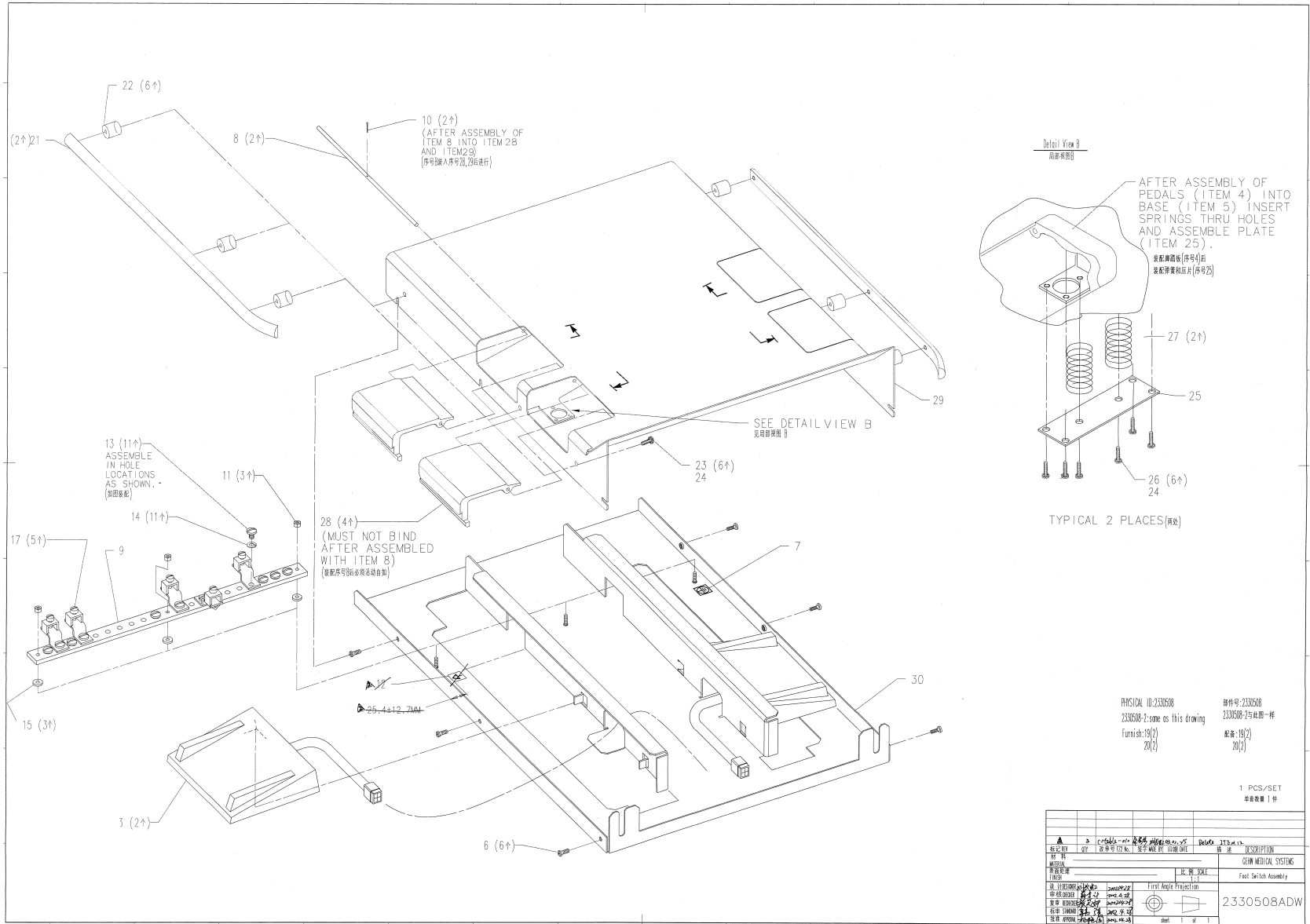


Figure 2-53 Footswitch Assembly (2330508 sheet 1, rev 2)

MARK	NUMBER	QTY	FRU	DESCRIPTION/NAME
3	46-296129G1	2.000	Yes	
28	2329241	4.000	Yes	FOOT PEDAL
29	2297598	1.000	Yes	FOOT SWITCH COVER
6	46-170497P8	6.000	No	SCREW
7	46-271110P1	1.000	No	LABEL, PROTECTIVE EARTH (GROUND)
8	2329242	2.000	No	PEDAL ROD
9	2329240	1.000	No	GROUND FOOT SWITCH
10	46-221828P4	2.000	No	0.063 DIA X 0.625 LG 18-8 SST
11	46-170012P63	3.000	No	0010-32 HEX .375 NUT HT .239
13	46-208560P65	11.000	No	SCREW
14	46-220181P6	11.000	No	1/4" SCREW SIZE (0.250), STL NI PLT
15	1000274P289	3.000	No	
17	46-297971P1	2.000	No	TERMINAL
19	46-328417P12	2.000	No	SCREW HEXAGON SOCKET 6 MM 12 MM
20	46-328430P3	2.000	No	WASHER PLAIN - NORMAL 6.4 MM 12 MM
21	2329239	2.000	No	GUARD BAR
22	2329246	6.000	No	SPACER GROUND BAR
23	46-170498P11	6.000	No	SCREW
24	46-170686P3	AR	No	LOCTITE 242, 50CC
25	2329247	2.000	No	SPRING PLATE
26	46-170497P20	12.000	No	SCREW
27	46-136353P135	4.000	No	SPRING-INCH COMPRESSION 1.75 INCHES
30	2297597	1.000	No	FOOT SWITCH BASE

Table 2-30 Footswitch Assembly (2330508 BOM, rev 5)

Section 4.0 — Foot Switch Cover Asm (46-296790G3)

FRU = NO

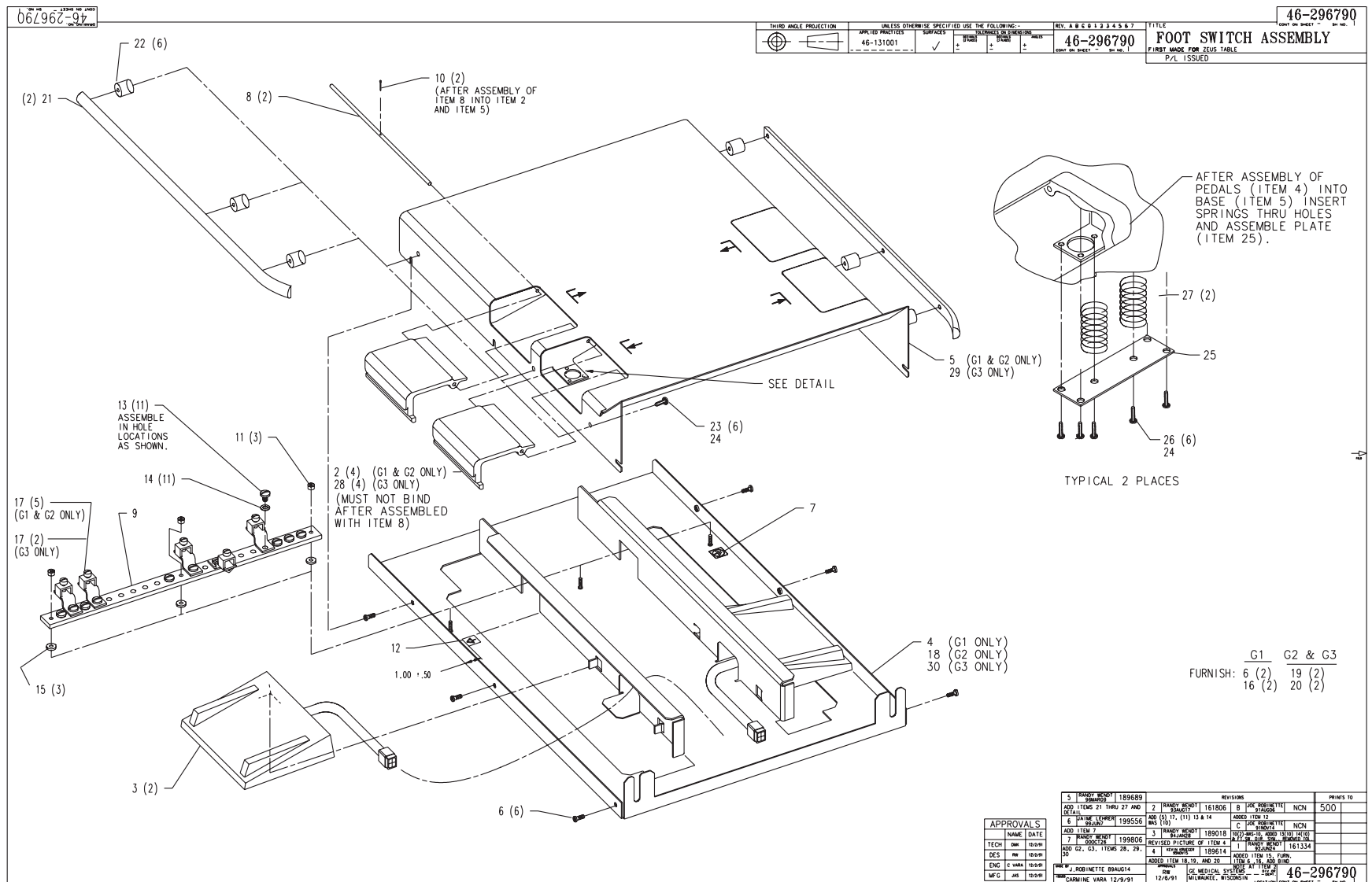


Figure 2-54 Foot Switch Cover Assembly (46-296790, sheet 1, rev 7)

MARK	NUMBER	QTY	FRU	DESCRIPTION/NAME
3	46-296129G1	2.000	Yes	
28	46-296162P2	4.000	Yes	FOOT PEDAL FOR H2 TABLE
29	46-296161P2	1.000	Yes	FOOT SWITCH COVER FOR H2 TABLE
6	46-170497P8	6.000	No	SCREW
7	46-271110P1	1.000	No	LABEL, PROTECTIVE EARTH (GROUND)
8	46-296163P1	2.000	No	
9	46-297053P1	1.000	No	
10	46-221828P4	2.000	No	0.063 DIA X 0.625 LG 18-8 SST
11	46-170012P63	3.000	No	0010-32 HEX .375 NUT HT .239
12	46-271110P5	1.000	No	LABEL OLD
13	46-208560P65	11.000	No	SCREW
14	46-220181P6	11.000	No	1/4" SCREW SIZE (0.250), STL NI PLT
15	1000274P289	3.000	No	
17	46-297971P1	2.000	No	TERMINAL
19	46-328417P12	2.000	No	SCREW HEXAGON SOCKET 6 MM 12 MM
20	46-328430P3	2.000	No	WASHER PLAIN - NORMAL 6.4 MM 12 MM
21	2151201	2.000	No	HSA FOOT SWITCH GUARD BAR
22	2151202	6.000	No	HSA FT SW GUARD BAR SPACER
23	46-170498P11	6.000	No	SCREW
24	46-170686P3	AR	No	LOCTITE 242, 50CC
25	2153419	2.000	No	HSA FOOT SWITCH PEDAL SPRING PLATE
26	46-170497P20	12.000	No	SCREW
27	46-136353P135	4.000	No	SPRING-INCH COMPRESSION 1.75 INCHES
30	2147702-2	1.000	No	FOOT SWITCH BASE FOR H2 TABLE

Table 2-31 Foot Switch Cover Assembly (46-296790G3 BOM, rev 1)

End of Chapter.

Chapter 3

Compact PDU

H2 Compact PDU (Covers Removed)

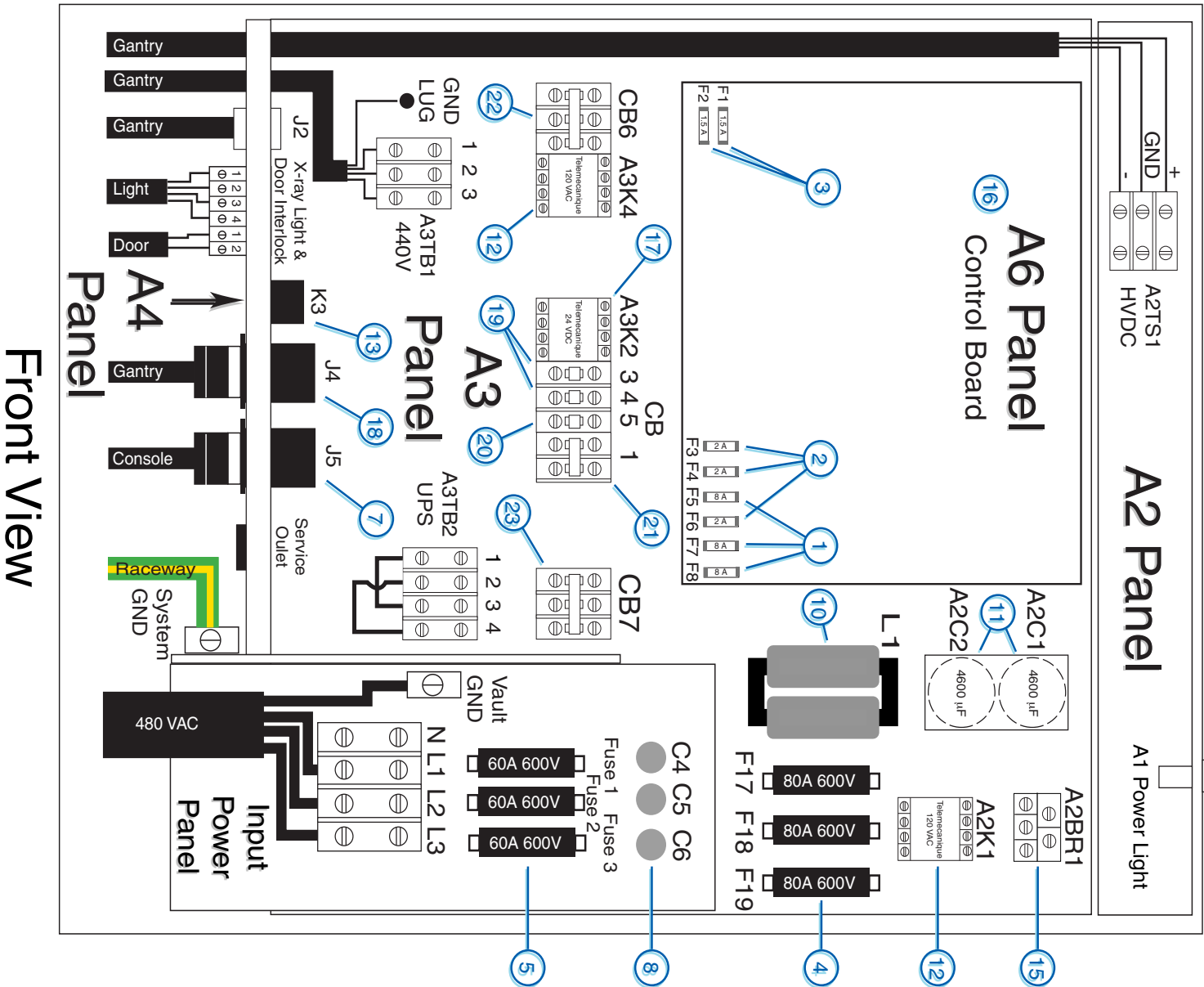


Figure 3-1 Compact PDU (2269902, front view)

H2 Compact PDU (Covers Removed)

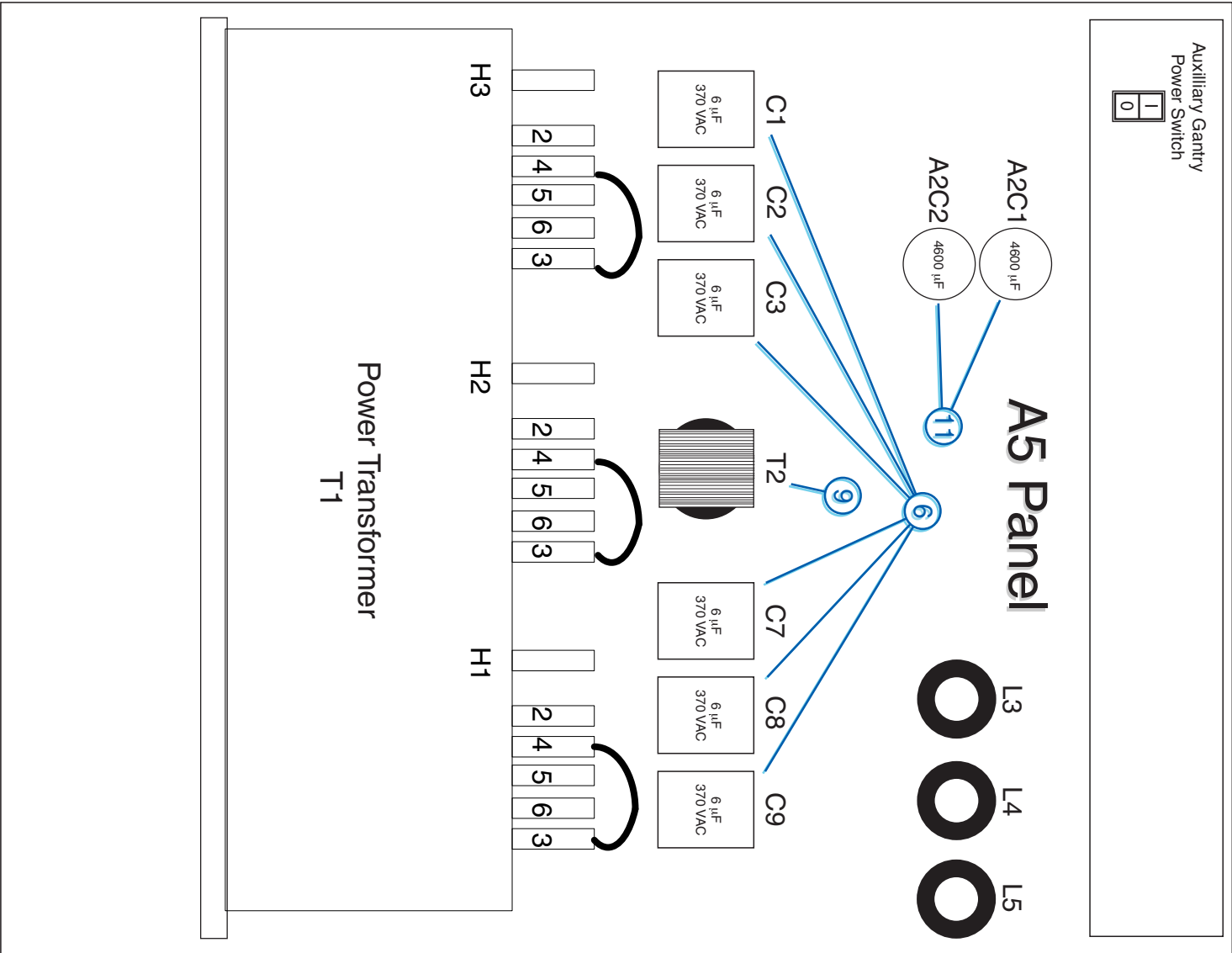


Figure 3-2 Compact PDU (2269902, rear view)

MARK	NUMBER	QTY	FRU	DESCRIPTION/NAME
1	46-170021P15	3	Yes	8A, 250V, Slo-Blo Fuse
2	46-170021P30	3	Yes	2A, 250V, Slo-Blo Fuse
3	46-170021P34	2	Yes	1.5A, 250V, Fuse
4	46-296221P15	3	Yes	80A, 600V, Semiconductor Fuse
5	46-313346P1	3	Yes	60A, 600V, Dual Element Fuse
6	2113764-3	6	Yes	6uF, 370Vac Capacitor
7	2113764-16	1	Yes	20A, 3P, 4W Receptacle NEMA Type L14-20R-Flange Mount
8	2113764-19	3	Yes	0.025uF, 480V, 100A, Feed-thru Capacitor
9	2113764-26	1	Yes	Transformer
10	2133533-2	1	Yes	1.2 mH, 140 A, DC Inductor
11	2133533-3	2	Yes	4600 uF, 450 V, Capacitor
12	2133533-4	2	Yes	32/50A Contactor, 120Vac, 60Hz Coil
13	2133533-9	1	Yes	Warning light control Relay
14	2133533-12	1	Yes	Front Cover (not shown)
15	2133533-13	1	Yes	110A, 1600V Diode Bridge
16	2139289	1	Yes	PDU Control Board
17	2269902-2	1	No	18/35A Contactor, 24Vdc Coil
18	2269902-3	1	No	30A, 4P, 5W Receptacle NEMA Type L21-30R-Flange Mount
19	2269902-4	2	No	15A, 1P Circuit Breaker
20	2269902-5	1	No	30A, 1P Circuit Breaker
21	2269902-6	1	No	15A, 2P Circuit Breaker
22	2269902-8	1	No	15A, 3P Circuit Breaker
23	2269902-9	1	No	30A, 3P Circuit Breaker

Table 3-1 Compact PDU (2269902)

Chapter 4

Gantry

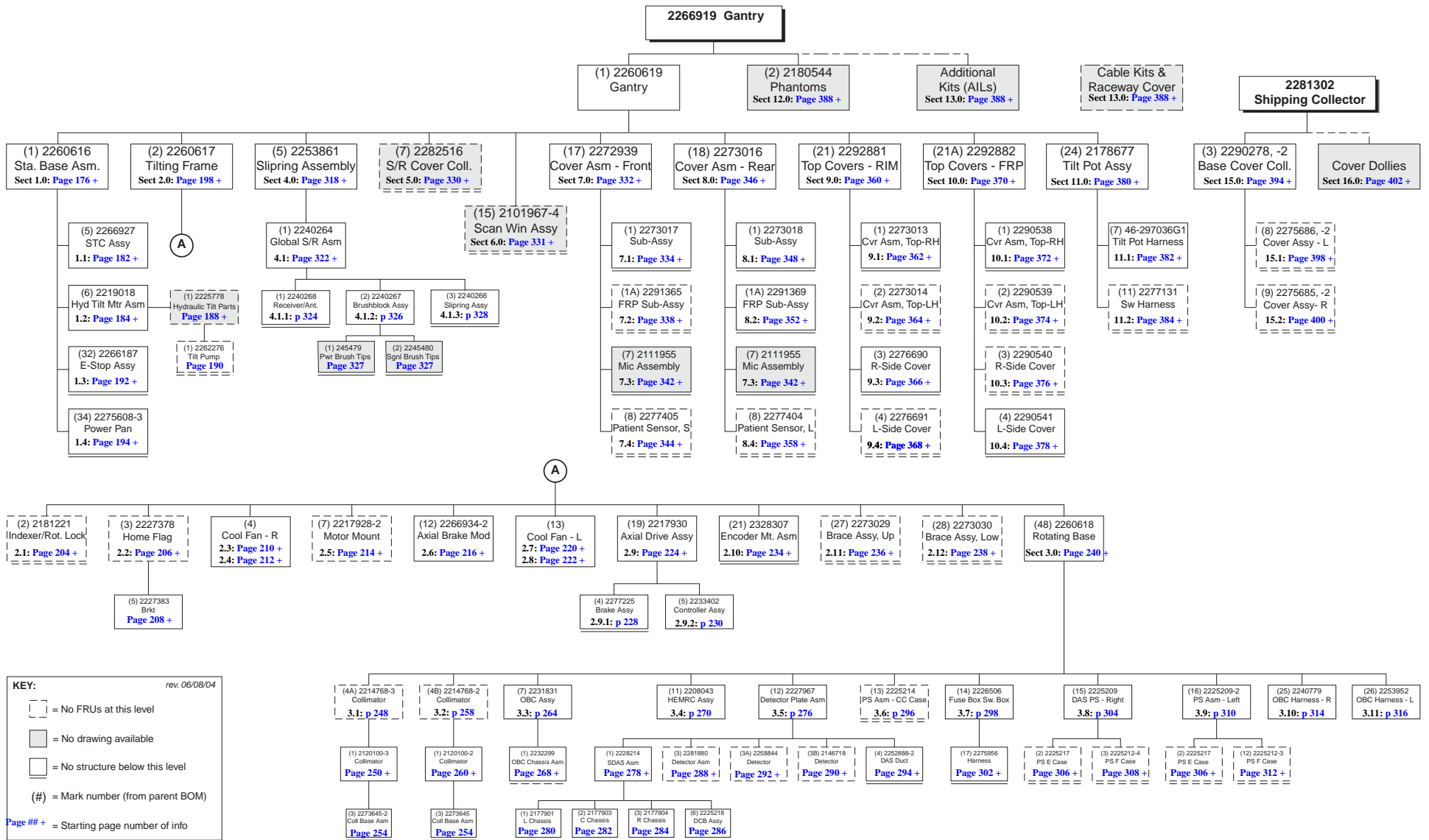


Figure 4-1 Gantry BOM Tree

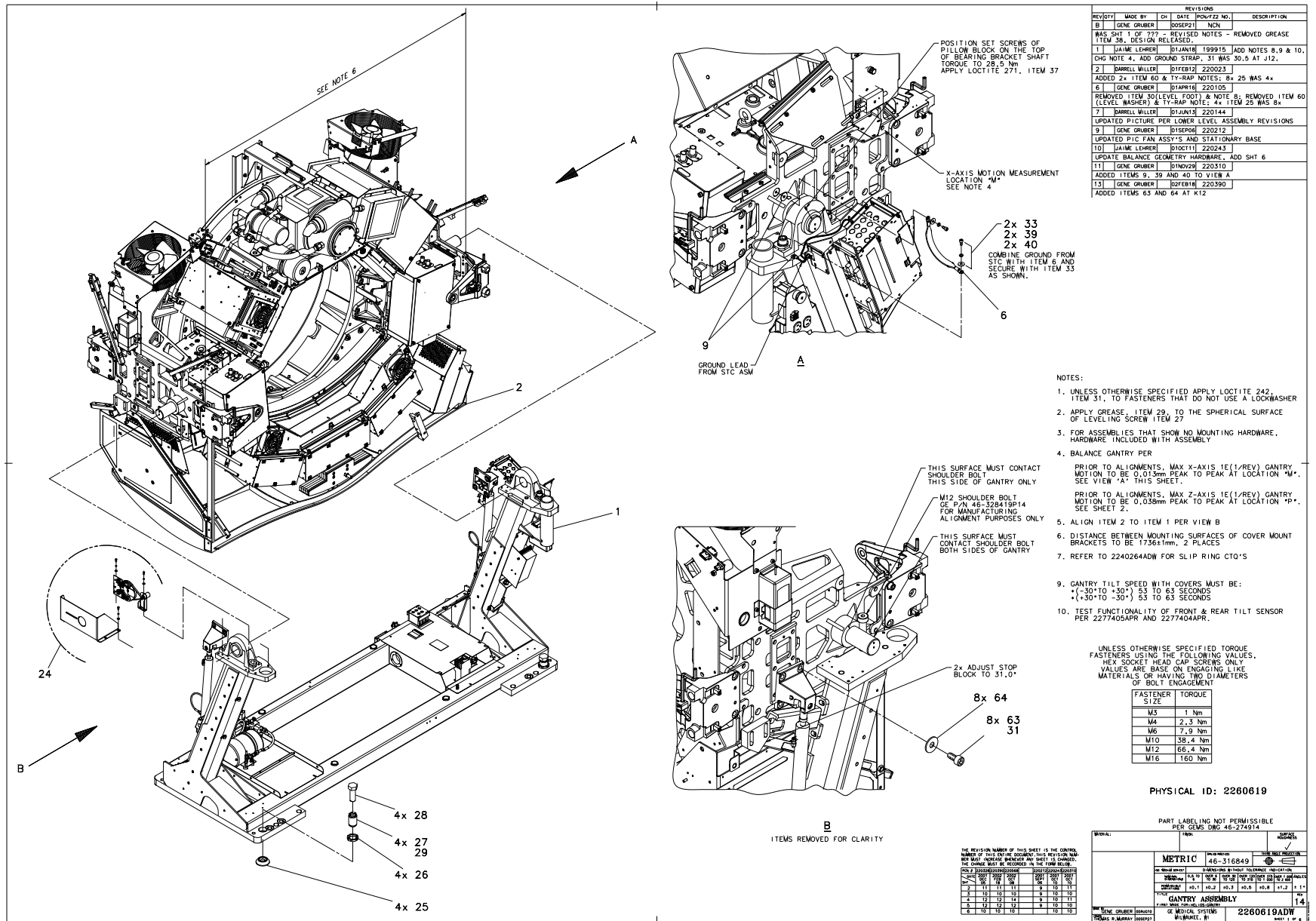


Figure 4-2 Gantry (2260619, sheet 1, rev 14)

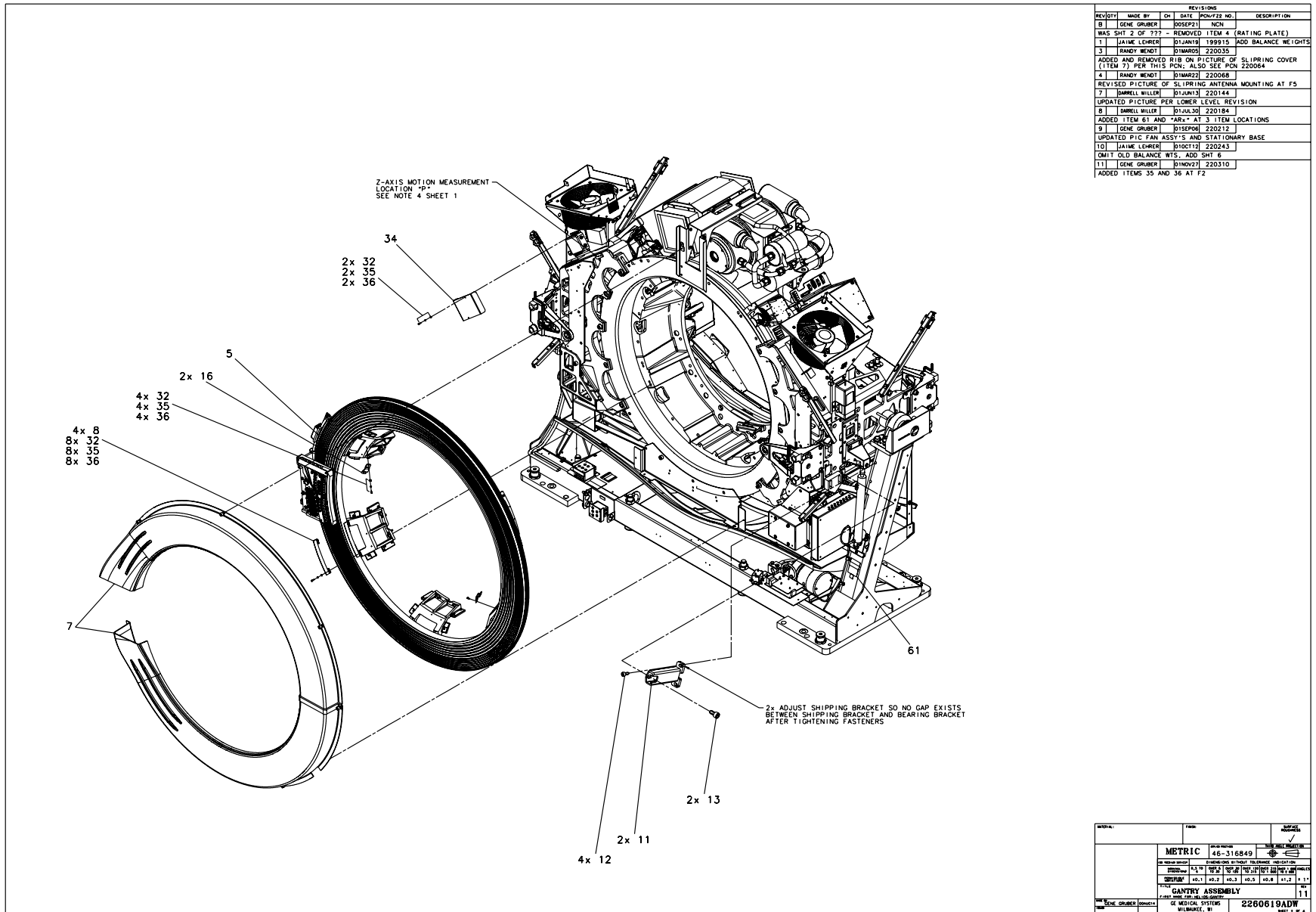


Figure 4-3 Gantry (2260619, sheet 2, rev 11)

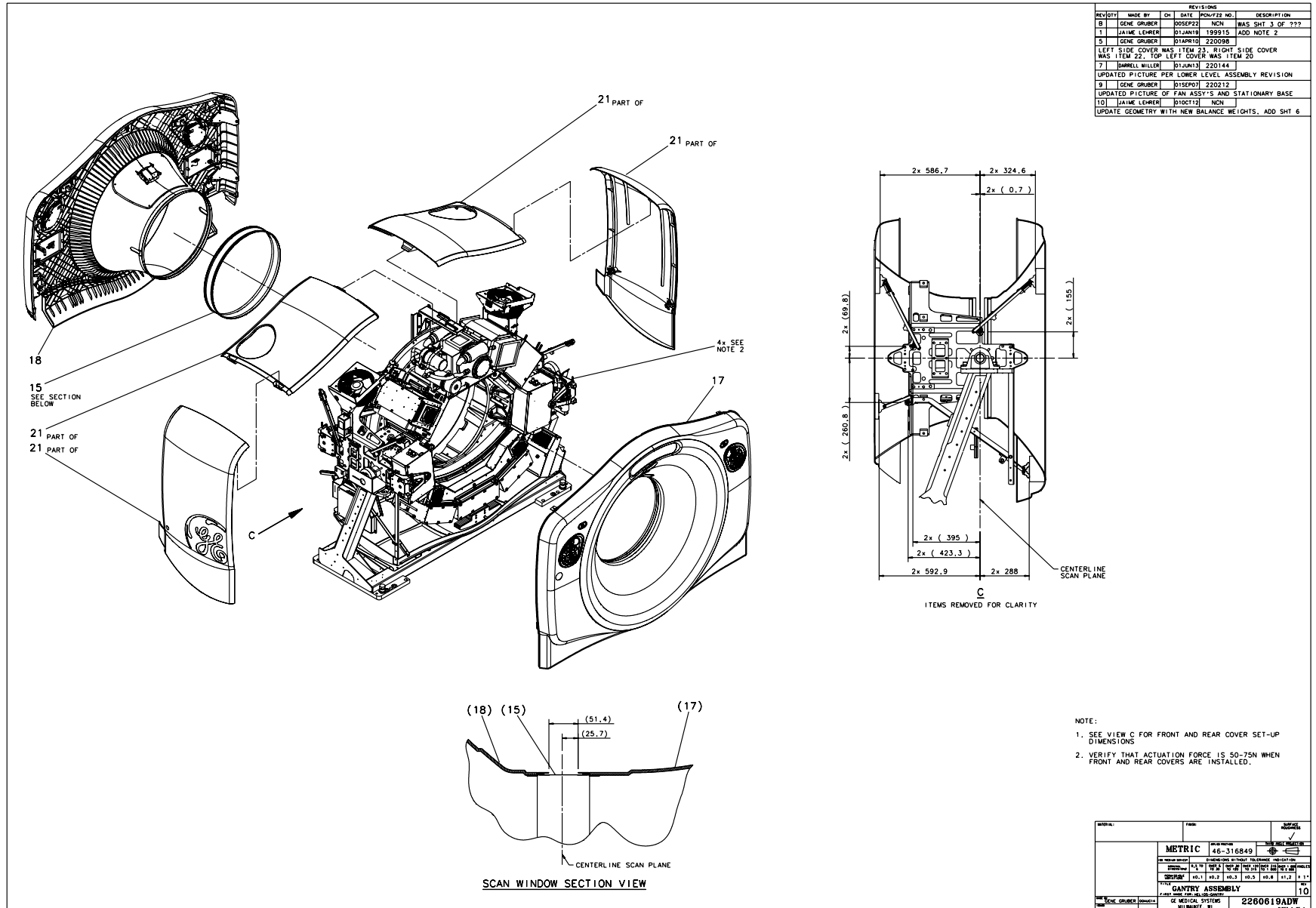


Figure 4-4 Gantry (2260619, sheet 3, rev 10)

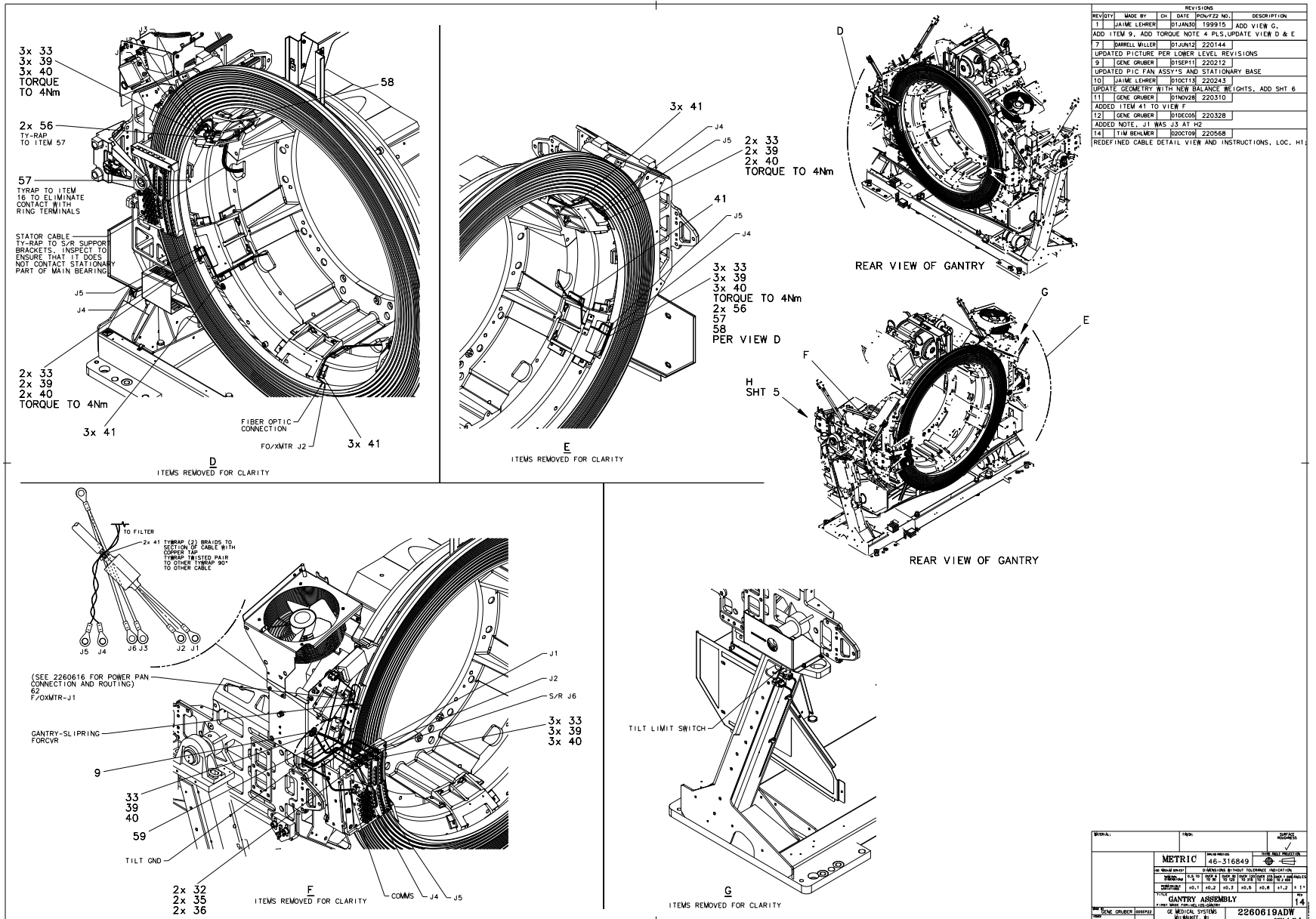


Figure 4-5 Gantry (2260619, sheet 4, rev 14)

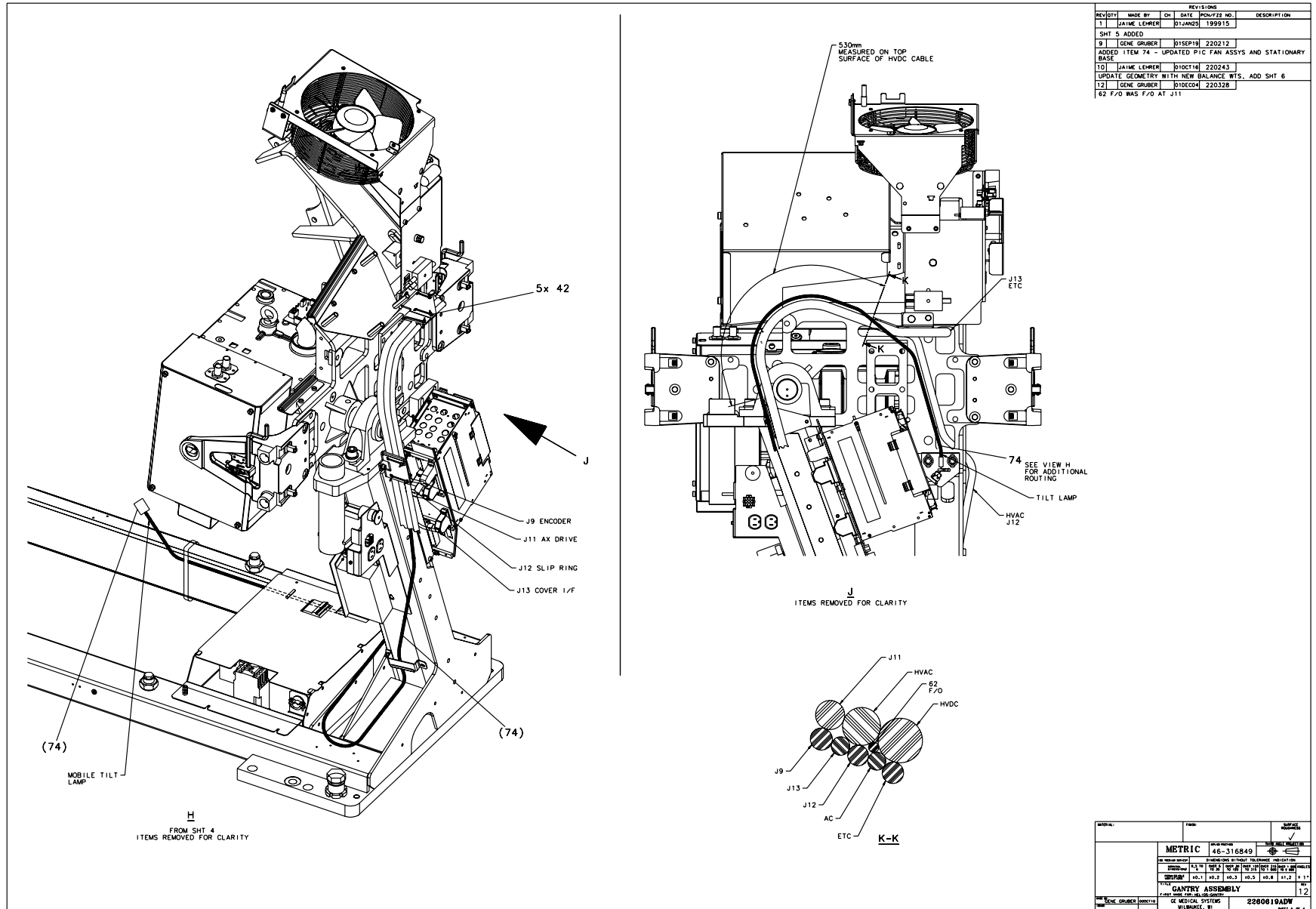


Figure 4-6 Gantry (2260619, sheet 5, rev 12)

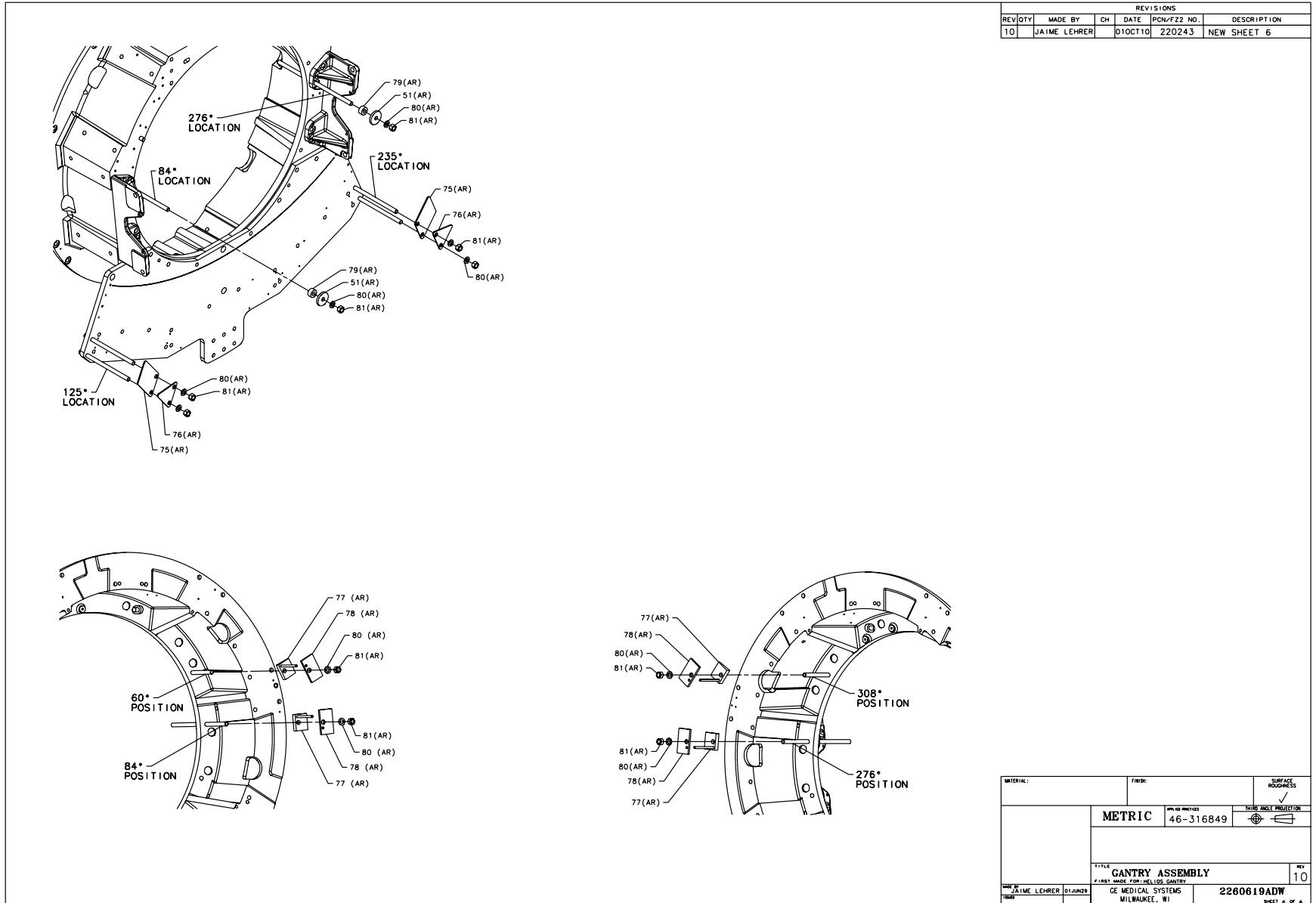


Figure 4-7 Gantry (2260619, sheet 6, rev 10)

MARK	NUMBER	QTY	FRU	DESCRIPTION/NAME
15	2101967-4	1.000	Yes	SCAN WIN ASSY - H2 GANTRY {For further detail, see Section 6.0 , beginning on page 331 .}
21	2292881	1.000	Yes	KIT - GANTRY TOP COVERS H2 - RIM {For further detail, see Section 9.0 , beginning on page 360 .}
42	46-208758P11	5.000	Yes	13.38"X .301" SELF-LOCKING
62	2266887-2	1.000	Yes	GANTRY SLIP RING TO POWER
74	2303601	1.000	Yes	HARNESS-CT MOBILE TILT IN
80	46-328432P7	AR	Yes	WASHER LOCK - SPRING 12.2
81	46-328425P13	AR	Yes	NUT HEXAGON 12 MM
1	2260616	1.000	No	STATIONARY BASE ASSY - HE {For further detail, see Section 1.0 , beginning on page 176 .}
2	2260617	1.000	No	HELIOS 2 TILTING FRAME {For further detail, see Section 2.0 , beginning on page 198 .}
5	2253861	1.000	No	SLIPRING ASSEMBLY {For further detail, see Section 4.0 , beginning on page 318 .}
6	2275840-2	1.000	No	GROUND - BRAID - STATIONA
7	2282516	1.000	No	S/R COVER COLLECTOR {For further detail, see Section 5.0 , beginning on page 330 .}
8	2284954	4.000	No	COVER, SLIPRING POWER TER
9	46-297705P11	1.000	No	2.62 X 1" CONDUCTIVE META
11	2270892	2.000	No	SHIPPING BRACKET H2 GANTR
12	46-328417P63	4.000	No	SCREW HEXAGON SOCKET 12 M
13	46-328417P33	2.000	No	SCREW HEXAGON SOCKET 16 M
16	2152834	2.000	No	BRACKET,550V CABLE SUPPOR
17	2272939	1.000	No	COVER ASSY - FRONT GANTRY {For further detail, see Section 7.0 , beginning on page 332 .}
18	2273016	1.000	No	COVER ASSY, REAR GANTRY H {For further detail, see Section 8.0 , beginning on page 346 .}

Table 4-1 Helios 2 Gantry (2260619 BOM, rev 12)

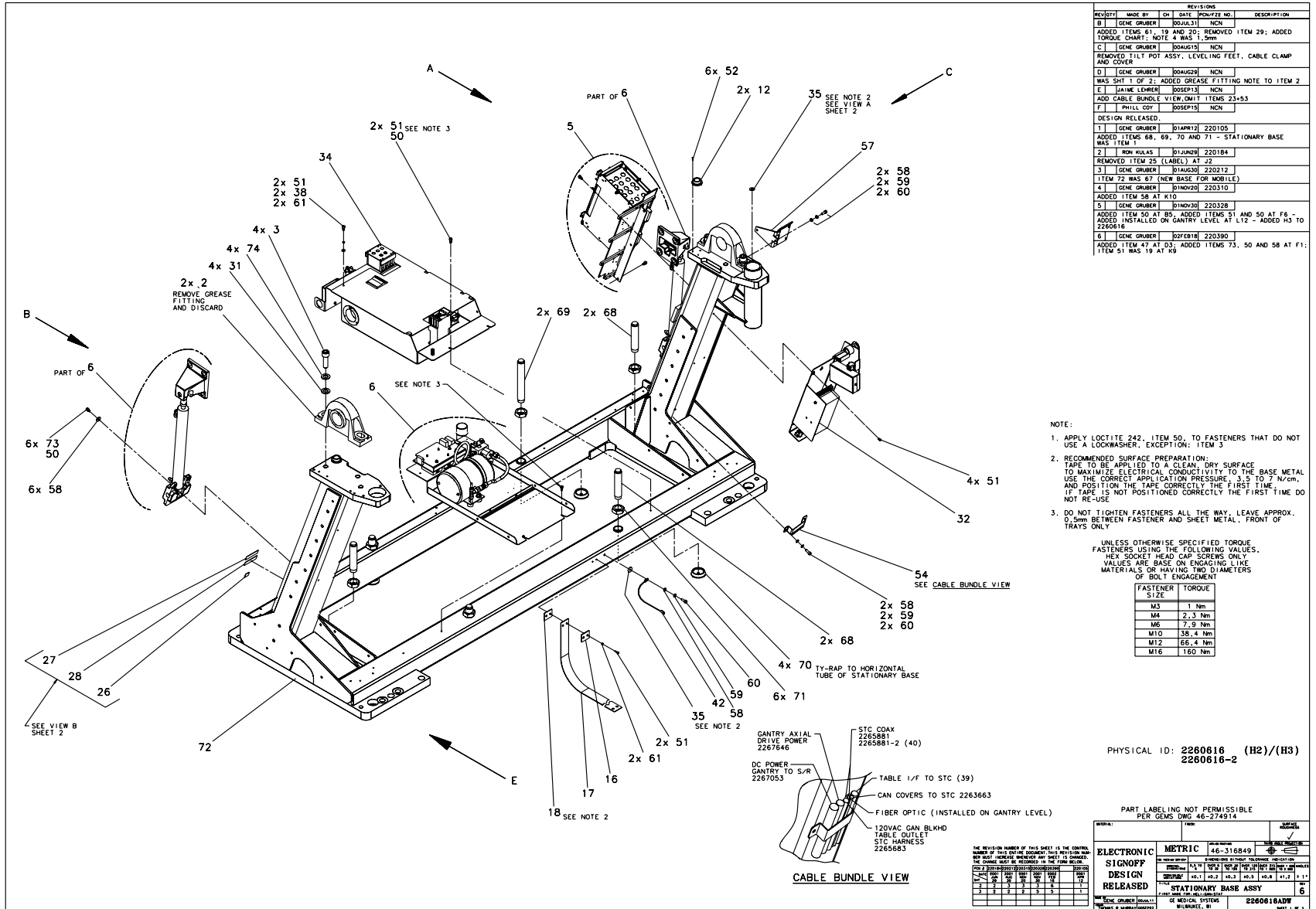
MARK	NUMBER	QTY	FRU	DESCRIPTION/NAME
21A	2292882	ALT	No	KIT - GANTRY TOP COVERS H2 - FRP <i>For further detail, see Section 10.0, beginning on page 370.</i>
24	2178677	1.000	No	TILT POT ASSEMBLY <i>{For further detail, see Section 11.0, beginning on page 380.}</i>
25A	2105872	4.000	No	GANTRY AND TABLE INSTALLA
25B	2105872-2	ALT	No	LEVELING PAD
26	2106207	4.000	No	1 1/2 -12 THDS 2.00 O.D.
27	2105871	4.000	No	GANTRY AND TABLE INSTALLA
28	46-208561P147	4.000	No	SCREW
29	46-170623P2	AR	No	BLACK, HEAVY-DUTY LUBRICA
31	46-170686P3	AR	No	LOCTITE 242, 50CC
32	46-328417P4	16.000	No	SCREW HEXAGON SOCKET 4 MM
33	46-328417P12	16.000	No	SCREW HEXAGON SOCKET 6 MM
34	2277017	1.000	No	COVER, FILTER
35	46-328430P2	16.000	No	WASHER PLAIN - NORMAL 4.3
36	46-328432P2	16.000	No	WASHER LOCK - SPRING 4.1
39	46-328432P3	16.000	No	WASHER LOCK - SPRING 6.1
40	46-328430P3	16.000	No	WASHER PLAIN - NORMAL 6.4
41	46-208758P3	11.000	No	7.31" X .184" SELF-LOCKING
43	46-208759P1	1.000	No	7.81" X .184" SELF-LOCKING
51	2284389-2	AR	No	COUNTER WEIGHT ROUND 6.4
56	2286419	4.000	No	CAPACITOR, HV WITH RING T
57	2287894	2.000	No	EMI FERRITE FOR CABLES 12
58	2275840-5	2.000	No	GROUND - BRAID - SLIP RIN
59	2275840-4	2.000	No	GROUND - BRAID - SLIP RIN
61	46-302200P7	1.000	No	SERIAL #, MODEL#
63	2236649-5	8.000	No	WASHER SPECIAL FLAT 13 MM
64	46-328417P65	8.000	No	SCREW HEXAGON SOCKET 12 M

Table 4-1 Helios 2 Gantry (2260619 BOM, rev 12) (Continued)

MARK	NUMBER	QTY	FRU	DESCRIPTION/NAME
75	2302608	AR	No	WEIGHT,SIDE,FULL SIZE
76	2302609	AR	No	WEIGHT,SIDE,HALF SIZE,FOR
77	2302610	AR	No	WEIGHT,WEDGE,H2 GANTRY
78	2302611	AR	No	WEIGHT,WEDGE ADDER,H2 GAN
79	2302612	AR	No	SPACER,H2 GANTRY ROUND WE

Table 4-1 Helios 2 Gantry (2260619 BOM, rev 12) (Continued)

Section 1.0 — Stationary Base Assembly (2260616)



REVISIONS				
REV/STY	MADE BY	CH	DATE	DESCRIPTION
B	GENE GRUBER		02JUL13	NCN
ADDED ITEMS 61, 18 AND 21C; REMOVED ITEM 29; ADDED TORQUE CHART; NOTE 4 WAS 1.5mm				
C	GENE GRUBER		02AUG13	NCN
REMOVED TILT POT ASSY, LEVELING FEET, CABLE CLAMP AND COVER				
D	GENE GRUBER		02AUG13	NCN
WAS SHIT 1 OF 2; ADDED GREASE FITTING NOTE TO ITEM 2				
E	HAIME LEHRER		02SEP13	NCN
ADD CABLE BUNDLE VIEW, OMIT ITEMS 23+55				
F	PHILLIP COY		02SEP13	NCN
DESIGN RELEASED.				
1	GENE GRUBER		01APR12	220105
ADDED ITEMS 68, 69, 70 AND 71 - STATIONARY BASE WAS ITEM 1				
2	RON KULAS		01JUN12	220184
REMOVED ITEM 25 (LABEL) AT J2				
3	GENE GRUBER		01AUG12	220212
ITEM 72 WAS 67 (NEW BASE FOR MOBILE)				
4	GENE GRUBER		01NOV10	220310
ADDED ITEM 58 AT K10				
5	GENE GRUBER		01NOV10	220328
ADDED ITEM 50 AT BS, ADDED ITEMS 51 AND 50 AT F6 - ADDED INSTALLED ON GANTRY LEVEL AT L12 - ADDED H3 TO 2260616				
6	GENE GRUBER		02FEB18	220390
ADDED ITEM 47 AT G3; ADDED ITEMS 75, 50 AND 58 AT F1; ITEM 51 WAS 19 AT K9				

- NOTE:
- APPLY LOCTITE 242, ITEM 50, TO FASTENERS THAT DO NOT USE A LOCKWASHER, EXCEPTION: ITEM 3
 - RECOMMENDED SURFACE PREPARATION: TAPE TO BE APPLIED TO A CLEAN, DRY SURFACE TO MAXIMIZE ELECTRICAL CONDUCTIVITY TO THE BASE METAL. USE THE CORRECT APPLICATION PRESSURE, 3.5 TO 7 N/CM², AND POSITION THE TAPE CORRECTLY THE FIRST TIME. TAPE IS NOT POSITIONED CORRECTLY THE FIRST TIME DO NOT RE-USE
 - DO NOT TIGHTEN FASTENERS ALL THE WAY, LEAVE APPROX. 0.5mm BETWEEN FASTENER AND SHEET METAL, FRONT OF TRAYS ONLY.

UNLESS OTHERWISE SPECIFIED TORQUE FASTENERS USING THE FOLLOWING VALUES. HEX SOCKET HEAD CAP SCREWS ONLY. VALUES ARE BASED ON ENGAGING LINE MATERIALS OR HAVING TWO DIAMETERS OF BOLT ENGAGEMENT.

FASTENER SIZE	TORQUE
M3	1 Nm
M4	2.3 Nm
M6	7.9 Nm
M10	38.4 Nm
M12	66.4 Nm
M16	160 Nm

PHYSICAL ID: 2260616 (H2)/(H3)
2260616-2

PART LABELING NOT PERMISSIBLE PER GEMS DWG 46-274914

REV	DATE	BY	CHKD	APPROVED
6	02-16-2018	GENE GRUBER		

ELECTRONIC SIGNOFF	DESIGN	6-316849		
	RELEASED			
	STATIONARY BASE ASSY			
	2260616ADW			

Figure 4-8 Stationary Base Assembly (2260616, sheet 1, rev 6)

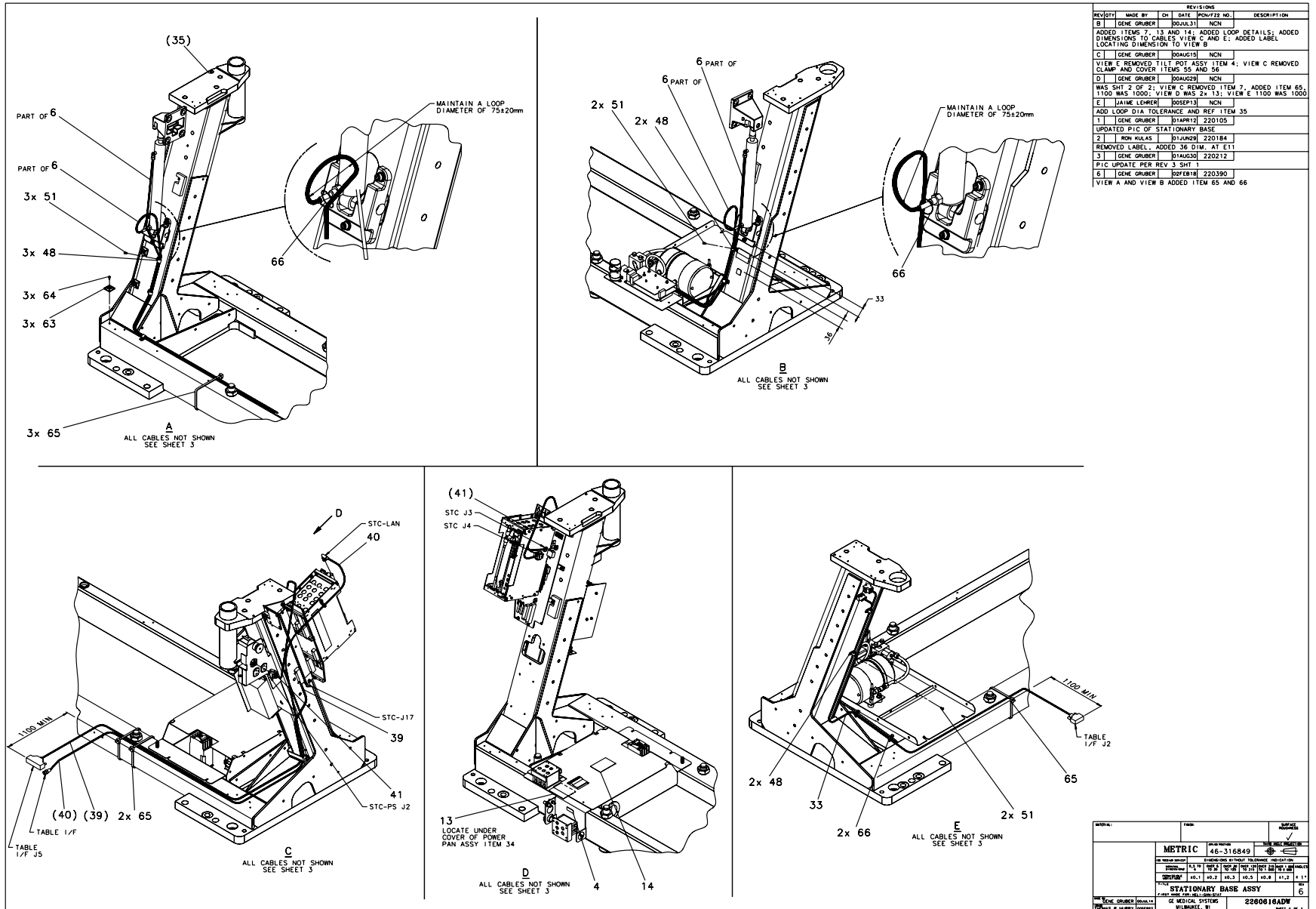


Figure 4-9 Stationary Base Assembly (2260616, sheet 2, rev 6)

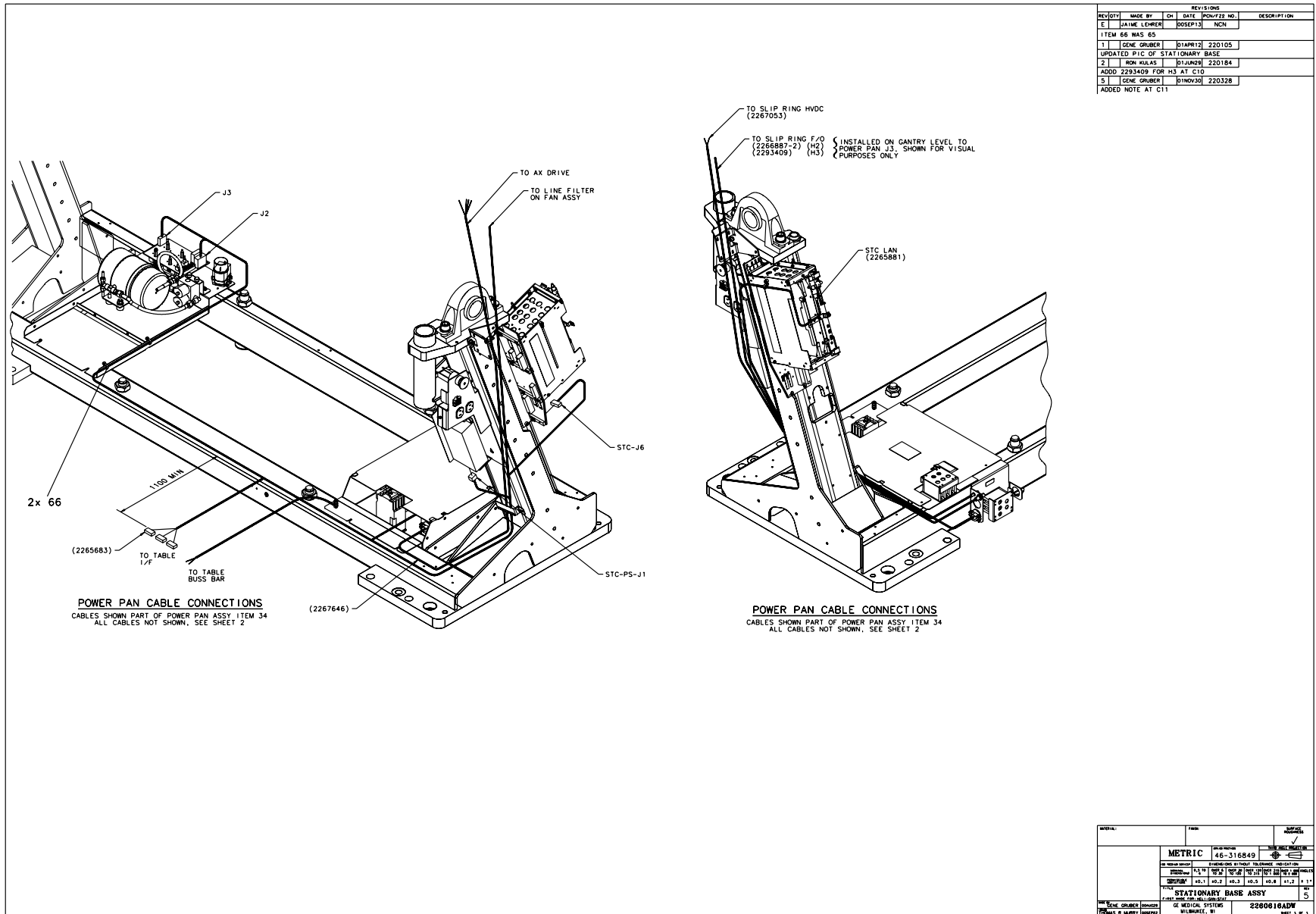


Figure 4-10 Stationary Base Assembly (2260616, sheet 3, rev 5)

MARK	NUMBER	QTY	FRU	DESCRIPTION/NAME
6	2219018	1.000	Yes	HYDRAULIC TILT MOTOR ASSEMBLY {For further detail, see Section 1.2 , beginning on page 184 .}
33	2268222	1.000	Yes	TILT POT/SWITCH HARNESS
39	2271059	1.000	Yes	TABLE I/F TO STC J17
40	2265881-2	1.000	Yes	STC COAX 3850MM LONG
41	2265682	1.000	Yes	H2 STC DC HARNESS TO STC
63	46-208747P2	3.000	Yes	CABLE TIE MOUNT ADHESIVE
65	46-208758P5	5.000	Yes	SELF LOCKING CABLE TIE
66	46-208758P3	7.000	Yes	7.31" X .184" SELF-LOCKIN
2	46-296142P1	2.000	No	PILLOW BLOCK BEARING
3	46-328417P35	4.000	No	SCREW HEXAGON SOCKET 16 M
4	46-193846P5	1.000	No	LABEL OLD
5	2266927	1.000	No	STC ASM, H2 GANTRY {For further detail, see Section 1.1 , beginning on page 182 .}
12	2266016	2.000	No	BULLS-EYE BUBBLE,.4 DEG/D
13	46-197327P1	1.000	No	LABEL OLD
14	46-279768P1	1.000	No	IEC HIGH VOLTAGE SYMBOL
16A	46-297427P1	1.000	No	GROUNDING STRAP CLAMP
16B	46-297427P2	ALT	No	GROUNDING STRAP CLAMP
17	46-297428P1	1.000	No	GROUNDING STRAP
18	46-297705P2	1.000	No	CONDUCTIVE TAPE
20	46-170684P3	AR	No	LOCTITE 271, 50ML BOTTLE
26	2132370	1.000	No	CSA LABEL
27	2117390	1.000	No	LABEL, CE MARKING COMPLIA
28	2132620	1.000	No	CE MARKING LABEL CLASS A
31	2236649-6	4.000	No	WASHER SPECIAL FLAT 17 MM
32	2266187	1.000	No	E STOP ASSEMBLY {For further detail, see Section 1.3 , beginning on page 192 .}

Table 4-2 Stationary Base Assembly (2260616 BOM, rev 10)

MARK	NUMBER	QTY	FRU	DESCRIPTION/NAME
34	2275608-3	1.000	No	GAN 120/440/550V PWR PAN {For further detail, see Section 1.4 , beginning on page 194 .}
35	46-297705P15	2.000	No	.138 X .375 METALLIC COND
38	46-328430P2	2.000	No	WASHER PLAIN - NORMAL 4.3
42	2275854-2	1.000	No	GROUND - GANTRY TO RACEWA
48	46-208718P4	7.000	No	ID 0.4375 LOOP TYPE
50	46-170686P3	AR	No	LOCTITE 242, 50CC
51	46-328417P4	21.000	No	SCREW HEXAGON SOCKET 4 MM
52	46-328417P56	6.000	No	SCREW HEXAGON SOCKET 2.5
54	2278992	1.000	No	CABLE BRACKET TOP
57	2279905	1.000	No	BRACKET,CABLE SUPPORT,LOW
58	46-328430P3	11.000	No	WASHER PLAIN - NORMAL 6.4
59	46-328432P3	5.000	No	WASHER LOCK - SPRING 6.1
60	46-328417P13	5.000	No	SCREW HEXAGON SOCKET 6 MM
61	46-328432P2	4.000	No	WASHER LOCK - SPRING 4.1
64	2103580-2	3.000	No	SCREW COUNTERSUNK HEA 4 M
68	2290884	4.000	No	STATIONARY BASE LEVELING
69	2290884-2	2.000	No	STATIONARY BASE LEVELING
70	2291425	4.000	No	1" LEVELING PAD
71	2293596	6.000	No	NUT,HEX JAM,1"-14,ZINC PL
72	2302357	1.000	No	STAT BASE, WELDMENT - CT
73	46-328417P15	6.000	No	SCREW HEXAGON SOCKET 6 MM
74	46-328432P5	4.000	No	WASHER LOCK - SPRING 16.2

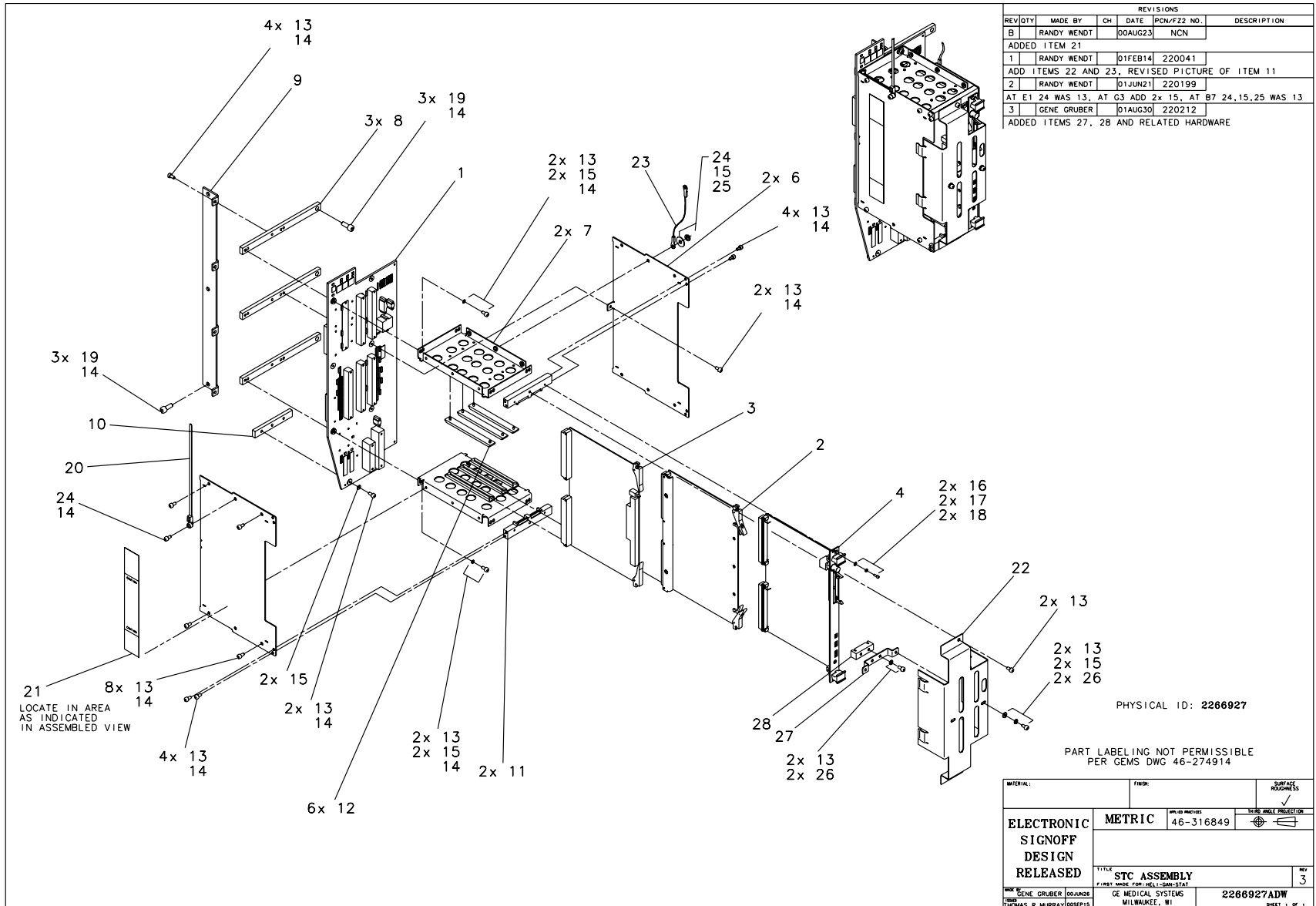
Table 4-2 Stationary Base Assembly (2260616 BOM, rev 10) (Continued)

This Page Intentionally Blank.

1.1 STC Assembly (2266927)

FRU = NO

USED ON:
 2260616



REVISIONS						
REV/QTY	MADE BY	CH	DATE	PCN/FZZ NO.	DESCRIPTION	
B	RANDY WENDT		00AUG23	NCN		
ADDED ITEM 21						
1	RANDY WENDT		01FEB14	220041		
ADD ITEMS 22 AND 23, REVISED PICTURE OF ITEM 11						
2	RANDY WENDT		01JUN21	220199		
AT E1 24 WAS 13, AT G3 ADD 2x 15, AT B7 24,15,25 WAS 13						
3	GENE GRUBER		01AUG30	220212		
ADDED ITEMS 27, 28 AND RELATED HARDWARE						

PHYSICAL ID: 2266927

PART LABELING NOT PERMISSIBLE
 PER GEMS DWG 46-274914

MATERIAL:	FINISH:	SURFACE ROUGHNESS	
		✓	
ELECTRONIC SIGNOFF DESIGN RELEASED	METRIC	46-316849	SEE DRILL PROTECTOR
	TITLE: STC ASSEMBLY		
DESIGNED BY: GENE GRUBER 00AUG23	GE MEDICAL SYSTEMS	2266927ADW	REV 3
THOMAS R. MURRAY 00SEP13	MILWAUKEE, WI		SHEET 1 OF 1

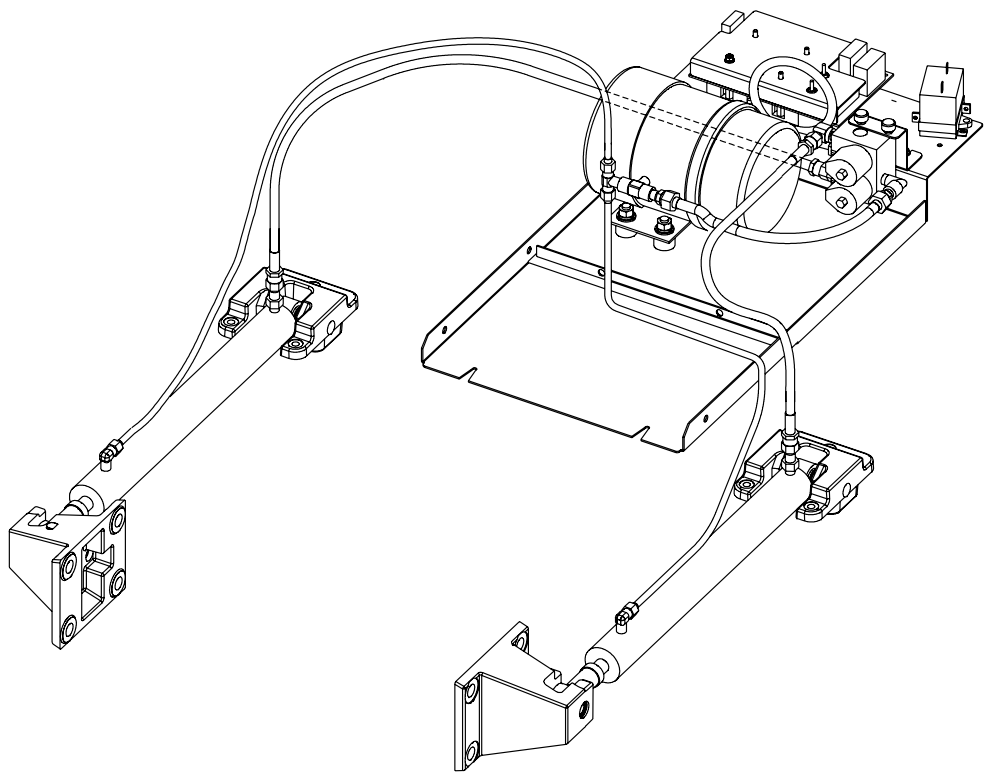
Figure 4-11 STC Assembly (2266927, sheet 1, rev 3)

MARK	NUMBER	QTY	FRU	DESCRIPTION/NAME
1	2248475	1.000	Yes	STC BACKPLANE
2	2233488	1.000	Yes	LSCOM BOARD
3	2236254	1.000	Yes	AXIAL CONTROL BOARD
4	2224296-3	1.000	Yes	VE-GE, 8MB, 2FL, GE MED, CT
14	46-170686P3	AR	Yes	LOCTITE 242, 50CC
20	46-208759P1	1.000	Yes	7.81" X .184" SELF-LOCKING CABLE TIE
6	2263057	2.000	No	STC CHASSIS SIDE
7A	2263055	2.000	No	STC CARD SUPPORT
7B	2263055-2	ALT	No	STC CARD SUPPORT
8A	2263058	3.000	No	STC MOUNTING
8B	2263058-2	ALT	No	STC MOUNTING BAR
9A	2263056	1.000	No	STC MOUNTING
9B	2263056-2	ALT	No	STC MOUNTING BRKT
10A	2265534	1.000	No	STC BACKPLANE STIFFNER BAR, SHORT
10B	2265534-2	ALT	No	STC BACKPLANE STIFFNER BAR, SHORT
11	2263059	2.000	No	STC CARD EJECTOR RAIL
12	46-296128P3	6.000	No	CARD GUIDE 6U
13	46-328417P2	38.000	No	SCREW HEXAGON SOCKET 4 MM
15	46-328430P2	9.000	No	WASHER PLAIN - NORMAL 4.3 MM 9 MM
16	46-328430P1	2.000	No	WASHER PLAIN - NORMAL 2.7
17	46-328432P1	2.000	No	WASHER LOCK - SPRING 2.6
18	46-328417P56	2.000	No	SCREW HEXAGON SOCKET 2.5
19	46-328417P13	6.000	No	SCREW HEXAGON SOCKET 6 MM 16 MM
21	46-297823P1	1.000	No	LABEL OLD
22	2286969	1.000	No	COVER, STC ASSEMBLY EMC
23	2275854-3	1.000	No	GROUND - STATIONARY BASE
24	46-328417P4	2.000	No	SCREW HEXAGON SOCKET 4 MM
25	46-328432P2	1.000	No	WASHER LOCK - SPRING 4.1
26	46-328432P2	4.000	No	WASHER LOCK - SPRING 4.1
27A	2300313	1.000	No	BRACKET, SPACER MOUNTING
27B	2300313	ALT	No	BRACKET SPACER MOUNTING
28	2300311	1.000	No	SPACER, CIRCUIT BOARD

Table 4-3 STC Assembly (2266927 BOM, rev 6)

1.2 Hydraulic Tilt Motor Assembly (2219018)

FRU = YES



REVISIONS					
REV/ITY	MADE BY	CH	DATE	PCN/FZZ NO.	DESCRIPTION
B	RON KULAS		98DEC09	NCN	
UPDATED GRAPHICALLY					
C	RON KULAS		99APR07	NCN	
UPDATED GRAPHICALLY					
D	RON KULAS		99NOV12	NCN	
UPDATED DUE TO REDESIGN					
E	RON KULAS		99DEC03	NCN	
UPDATED SHEETS 2 AND 3					
F	GENE GRUBER		00JUN23	NCN	
UPDATED ASSEMBLY - ADDED ASSEMBLY NOTES, CTO TABLE - DESIGN RELEASED					
1	GENE GRUBER		00CT03	199855	
RE-ROUTED HOSES, ADDED ITEM 32 AND NOTE 1					
2	RANDY WENDT		01JUN11	220153	
DELETED NOTE 1 AND ITEMS 32, DELETED OLD INSTRUCTIONS A, D, H, RELETTERED AND REVISED REMAINING SPECIFIC., UPDATED PICTURE					

ASSEMBLY SPECIFICATIONS

A) SEAL ALL HYDRAULIC JOINTS WITH THE APPROPRIATE SEALANT.

B) FILL AND BLEED SYSTEM WITH HYDRAULIC FLUID, ~0.8 LITERS.

CTQ1 C) SET THE PRESSURE RELIEF VALVE TO 50 KGF/CM² ±2

CTQ2 D) WITH THE SYSTEM APPROPRIATELY LOADED (406 kg PER CYLINDER) AND AT A TEMPERATURE OF 10-32°C (INCLUDING THE FLUID) SET THE POSITIVE MOTION AND NEGATIVE MOTION SPEEDS TO 235 ±25 mm/MIN

CTQ3 E) WITH THE SYSTEM APPROPRIATELY LOADED (406 kg PER CYLINDER) CONFIRM THAT ALL HYDRAULIC JOINTS DO NOT LEAK

F) AFTER TESTING, FILL THE PUMP WITH HYDRAULIC FLUID UNTIL THE LEVEL REACHES THE FILL PLUG HOLE.

THE REVISION NUMBER OF THIS SHEET IS THE CONTROL NUMBER OF THIS ENTIRE DOCUMENT. THIS REVISION NUMBER MUST INCREASE WHENEVER ANY SHEET IS CHANGED. THE CHANGE MUST BE RECORDED IN THE FORM BELOW.

PCN #	198855220153
REV	1
DATE	03/11/00
BY	RON KULAS
REV	2
DATE	09/12/00
BY	RON KULAS
REV	3
DATE	01/23/01
BY	RON KULAS

PART LABELING NOT PERMISSIBLE PER GEMS DWG 46-274914

PHYSICAL I.D. 2219018
 SHEET 2 (HYDRAULIC CYLINDER)
 SHEET 3 (HYDRAULIC MOTOR)

CTQ TABLE REFER TO 46-319252		
	DIMENSION	LOCATION
CTQ1	SEE NOTES	D9
CTQ2	SEE NOTES POSITIVE	D9
CTQ3	SEE NOTES NEGATIVE	E9

MATERIAL:	FINISH:	SURFACE ROUGHNESS:
ELECTRONIC SIGNOFF DESIGN RELEASED	METRIC	✓
46-316849		NEW HELL PROJECTION
TITLE: HYDRAULIC, TILT MOTOR ASM.		REV: 2
DRAWN BY: RON KULAS (88AUN13) THOMAS R. MURRAY (00JUN23)		GE MEDICAL SYSTEMS MILWAUKEE, WI
2219018ADW		SHEET 1 OF 3

Figure 4-12 Hydraulic Tilt Motor Assembly (2219018, sheet 1, rev 2)

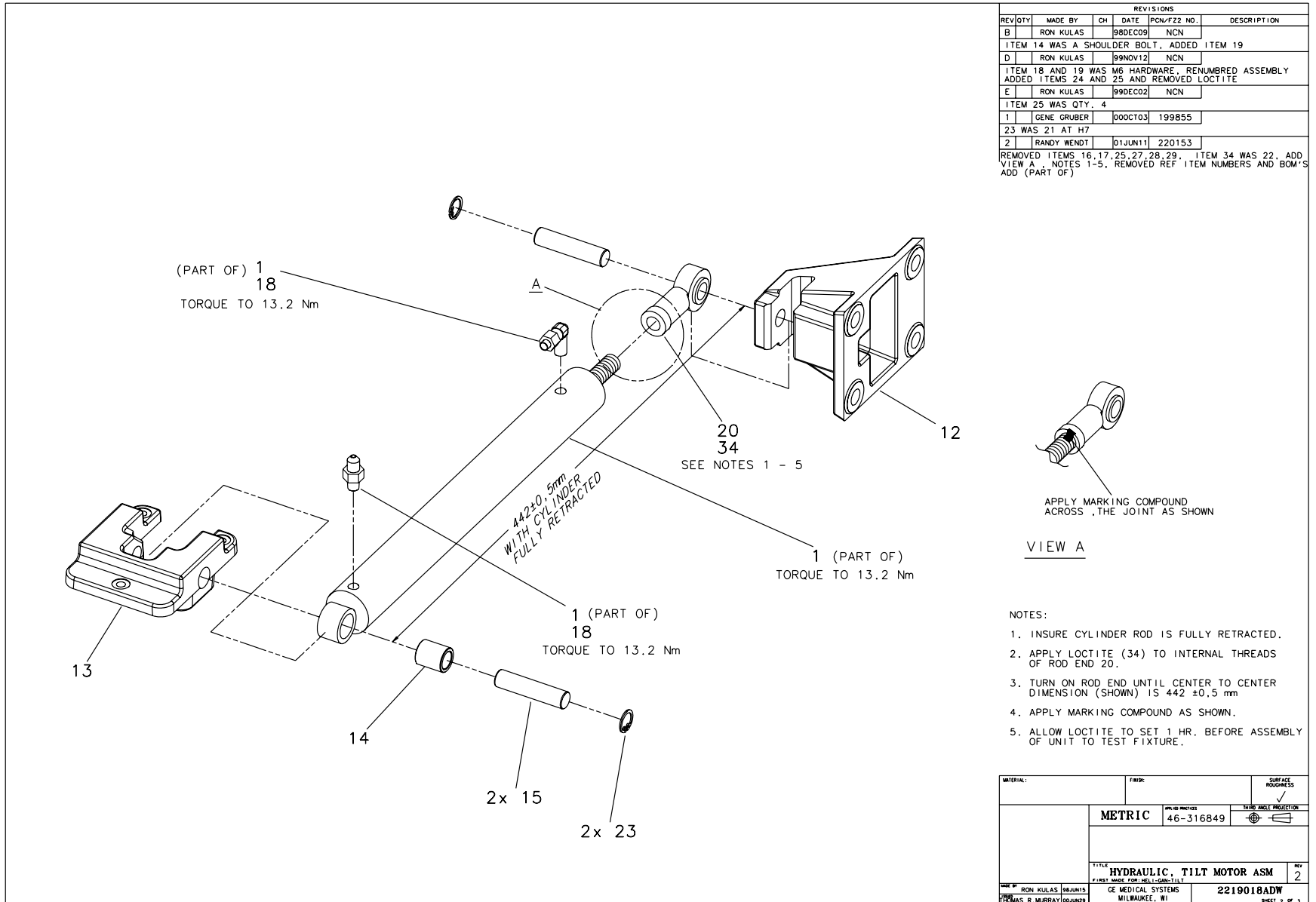


Figure 4-13 Hydraulic Tilt Motor Assembly (2219018, sheet 2, rev 2)

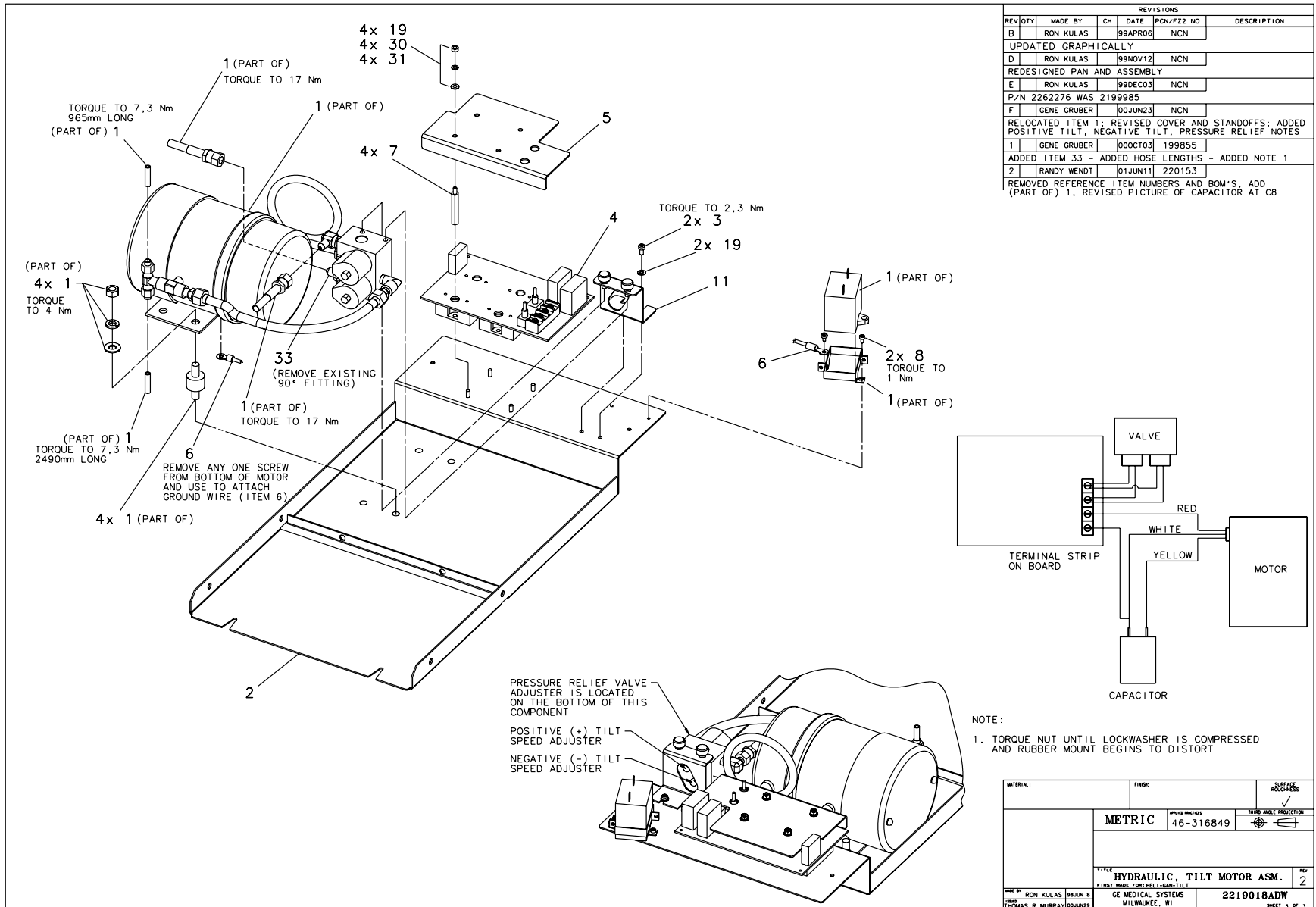


Figure 4-14 Hydraulic Tilt Motor Assembly (2219018, sheet 3, rev 2)

MARK	NUMBER	QTY	FRU	DESCRIPTION/NAME
4	2257518	1.000	Yes	TILT RELAY BOARD
6	46-177502G41	1.000	Yes	GROUNDING STRAP
26	2227239	1.020 L	Yes	HYDRAULIC OIL
33	U0401AK	1.000	Yes	HOSE ADPTER 010-2-2
34	46-170684P2	AR	Yes	LOCTITE 271, 10CC BOTTLE
1	2225778	1.000	No	COLLECTOR HYDRAULIC TILT {For further detail, see "Hydraulic Tilt Parts (2225778)," on page 188.}
2	2210041	1.000	No	HYDRAULIC MOTOR PAN
3	46-328417P4	2.000	No	SCREW HEXAGON SOCKET 4 MM
5	2218664	1.000	No	TERMINAL STRIP COVER
7	2209282-5	4.000	No	STANDOFF/SPACER MALE/FEMALE 4 MM 6 MM
8	46-328417P73	2.000	No	SCREW HEXAGON SOCKET 3 MM
11	2260581	1.000	No	VALVE SUPPORT
12	2214063-2	2.000	No	MACHINING MOUNT-UPPER TILT HYDRAULIC
13	2211616-2	2.000	No	LOWER MOUNT BRACKET - MACHINING
14	2215018	2.000	No	TILT PIVOT BUSHING
15	2214911	4.000	No	TILT HYDRAULIC PIN
18	46-252065P19	AR	No	TEFLON TAPE .50 WIDE
19	46-328430P2	6.000	No	WASHER PLAIN - NORMAL 4.3 MM 9 MM
20	2203148-2	2.000	No	U0906AP ROD END
23	99018553	4.000	No	RETAINING RING C-RING - BORE 17 MM
30	46-328425P1	4.000	No	NUT HEXAGON 4 MM
31	46-328432P2	4.000	No	WASHER LOCK - SPRING 4.1 MM 7.6 MM

Table 4-4 Hydraulic Tilt Motor Assembly (2219018 BOM, rev 4)

Hydraulic Tilt Parts (2225778)

FRU = NO

USED ON:
 2219018

MARK	NUMBER	QTY	FRU	DESCRIPTION/NAME
1	2262276	1.000	No	TILT H2 {For further detail, see "Hydraulic Pump (2262276)," on page 190.}
2	2237057	1.000	No	U0627AK HOSE
3	2203102	1.000	No	U0625AK HOSE
4	U0618AK	AR	No	HOSE
6	2203163	2.000	No	U0708AK CYLINDER
7	2203095	2.000	No	U0482AK JOINT
8	U0401AK	2.000	No	HOSE ADPTER 010-2-2

Table 4-5 Collector Hydraulic Tilt Parts (2225778 BOM, rev 0)

This Page Intentionally Blank.

Hydraulic Pump (2262276)

FRU = NO

USED ON:
 2225778

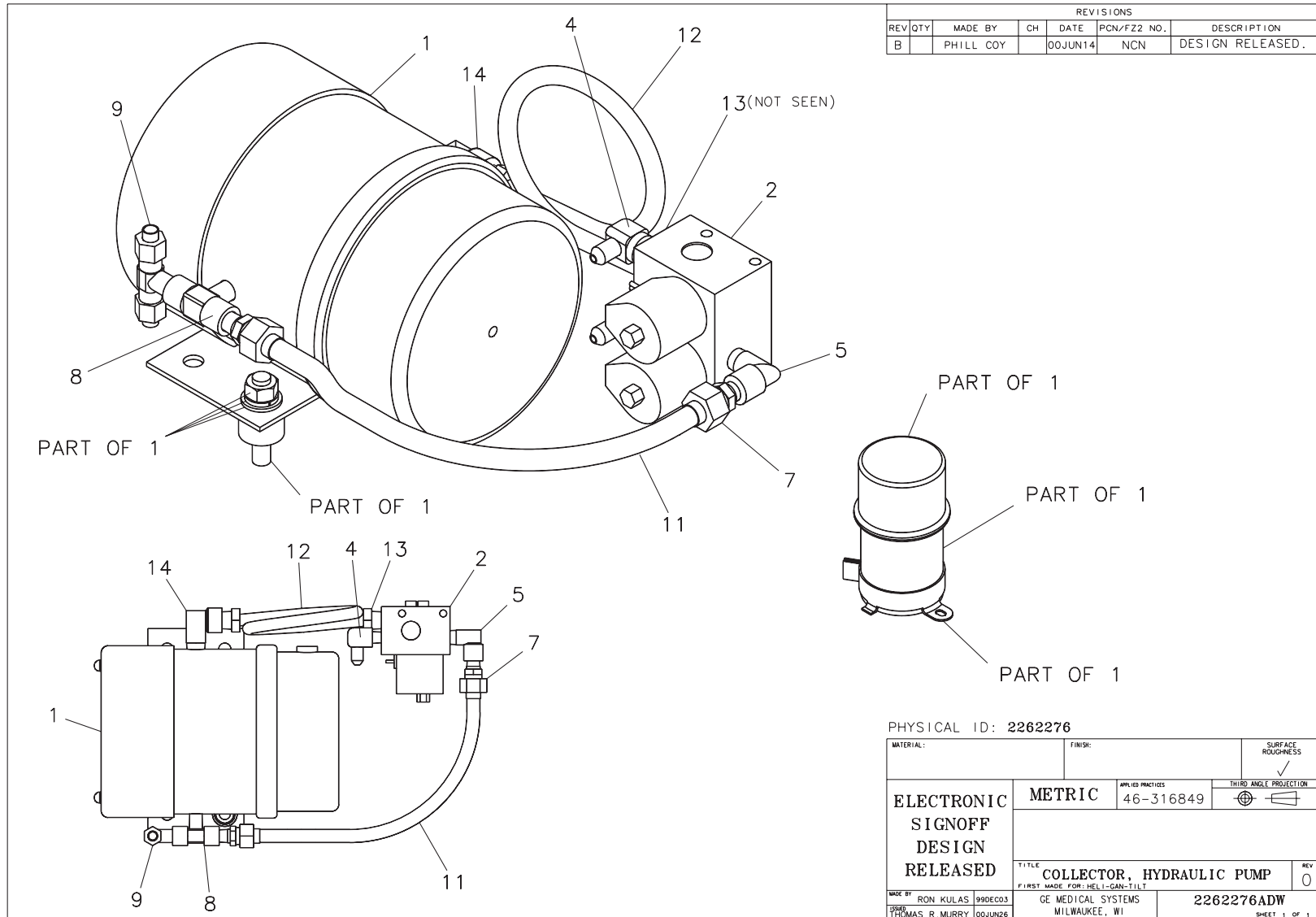


Figure 4-15 Hydraulic Pump (2262276, sheet 1, rev 0)

MARK	NUMBER	QTY	FRU	DESCRIPTION/NAME
1	2189112	1.000	No	P9233HA PUMP ASSY
2	2189113	1.000	No	P9233HB VALVE ASSY
4	P9105SN	2.000	No	090-2-2 HOSE
5	U0414AK	1.000	No	SK-601
7	U0462AK	2.000	No	JOINT
8	2201659	1.000	No	TEE
9	2203096	1.000	No	U0483AK T JOINT
11	U0611AK	1.000	No	U2-1-3/8
12	2249064	1.000	No	U0619AK HOSE
13	U0401AK	1.000	No	HOSE ADPTER 010-2-2
14	U0445AK	1.000	No	JOINT

Table 4-6 Tilt (2262276 BOM, rev 1)

1.3 E-Stop Assembly (2266187)

FRU = NO

USED ON:
 2260616

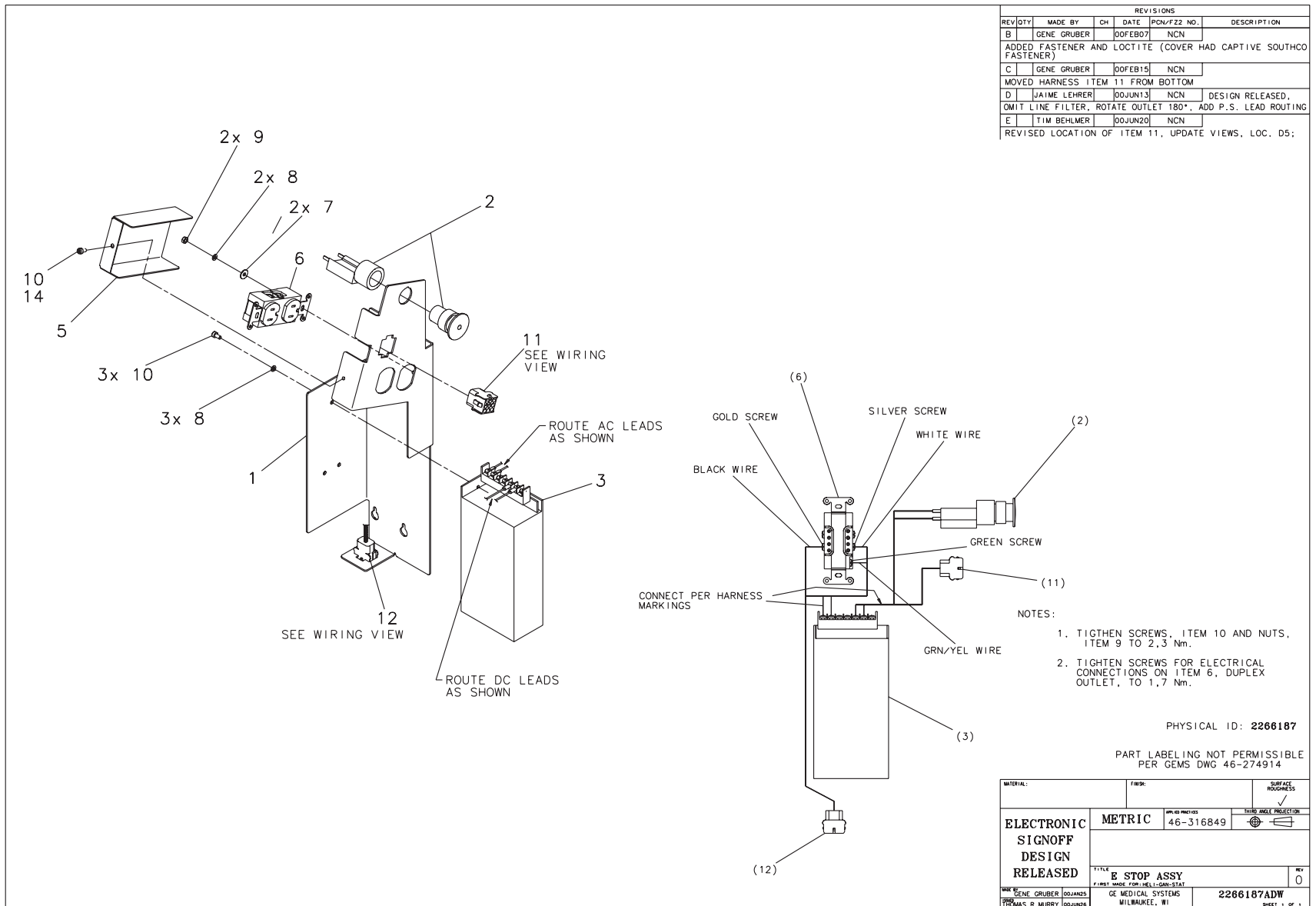


Figure 4-16 E-Stop Assembly (2266187, sheet 1, rev 0)

MARK	NUMBER	QTY	FRU	DESCRIPTION/NAME
3	2258710	1.000	Yes	POWER SUPPLY AC-DC SINGLE
6	46-287941P1	1.000	Yes	20 AMP, 125V, DUPLEX RECEPTACLE
11	2265676	1.000	Yes	H2 STC POWER SUPPLY ASM HARNESS - DC
12	2265678	1.000	Yes	H2 STC POWER SUPPLY ASM HARNESS - AC
1	2265803	1.000	No	BRACKET, E-STOP, FILTER MOUNTING
2	2275179	1.000	No	NC 1PST MOMENTARY SWITCH
5	2266142	1.000	No	COVER - SERVICE OUTLET
7	46-328431P1	2.000	No	WASHER PLAIN - LARGE 4.3 MM 12 MM
8	46-328432P2	5.000	No	WASHER LOCK - SPRING 4.1 MM 7.6 MM
9	46-328425P1	2.000	No	NUT HEXAGON 4 MM
10	46-328417P2	4.000	No	SCREW HEXAGON SOCKET 4 MM
14	46-170686P3	AR	No	LOCTITE 242, 50CC

Table 4-7 E-Stop Assembly (2266187 BOM, rev 2)

1.4 Power Pan (2275608, -3)

FRU = NO

USED ON:
2260616

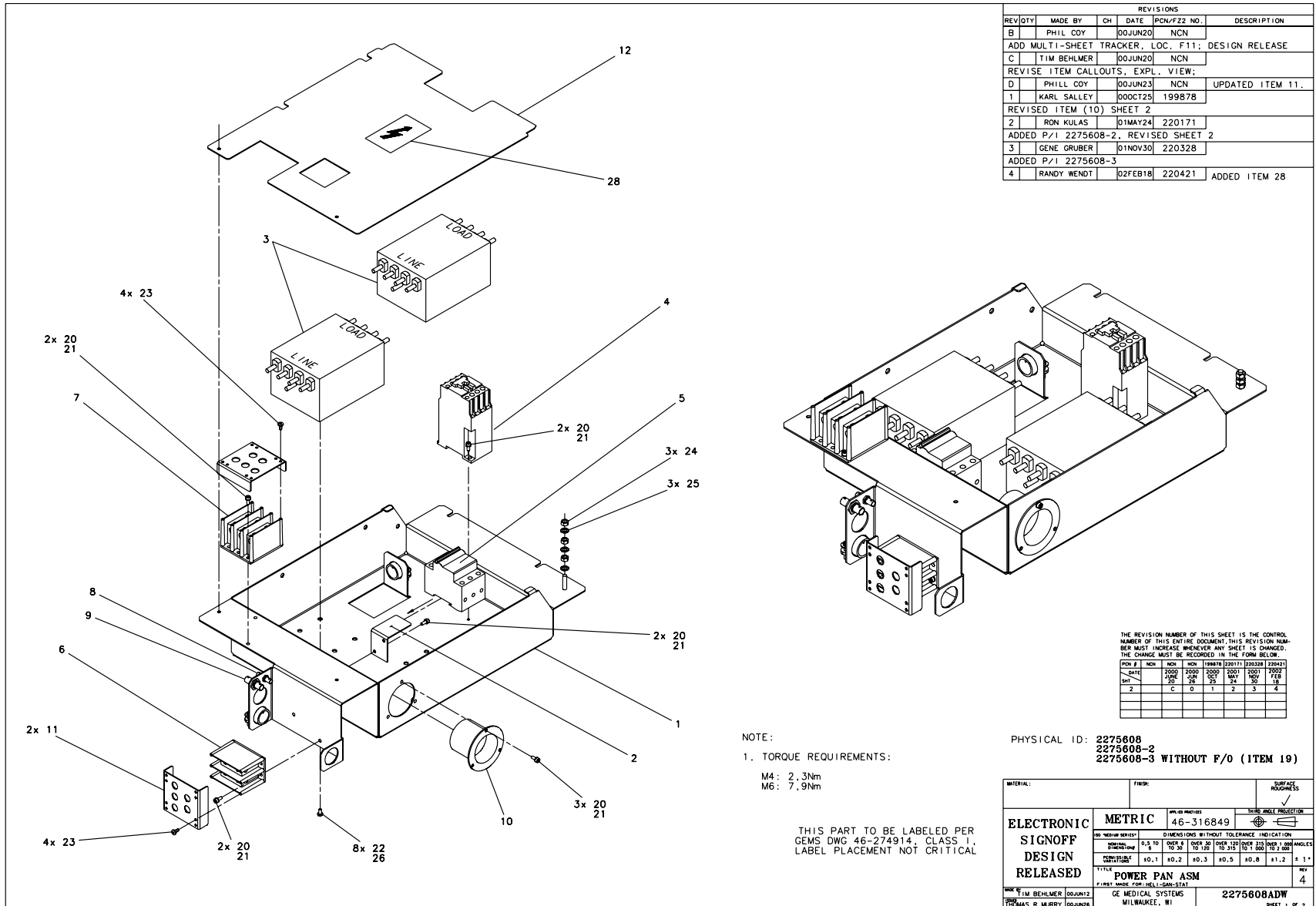


Figure 4-17 Power Pan (2275608, sheet 1, rev 4)

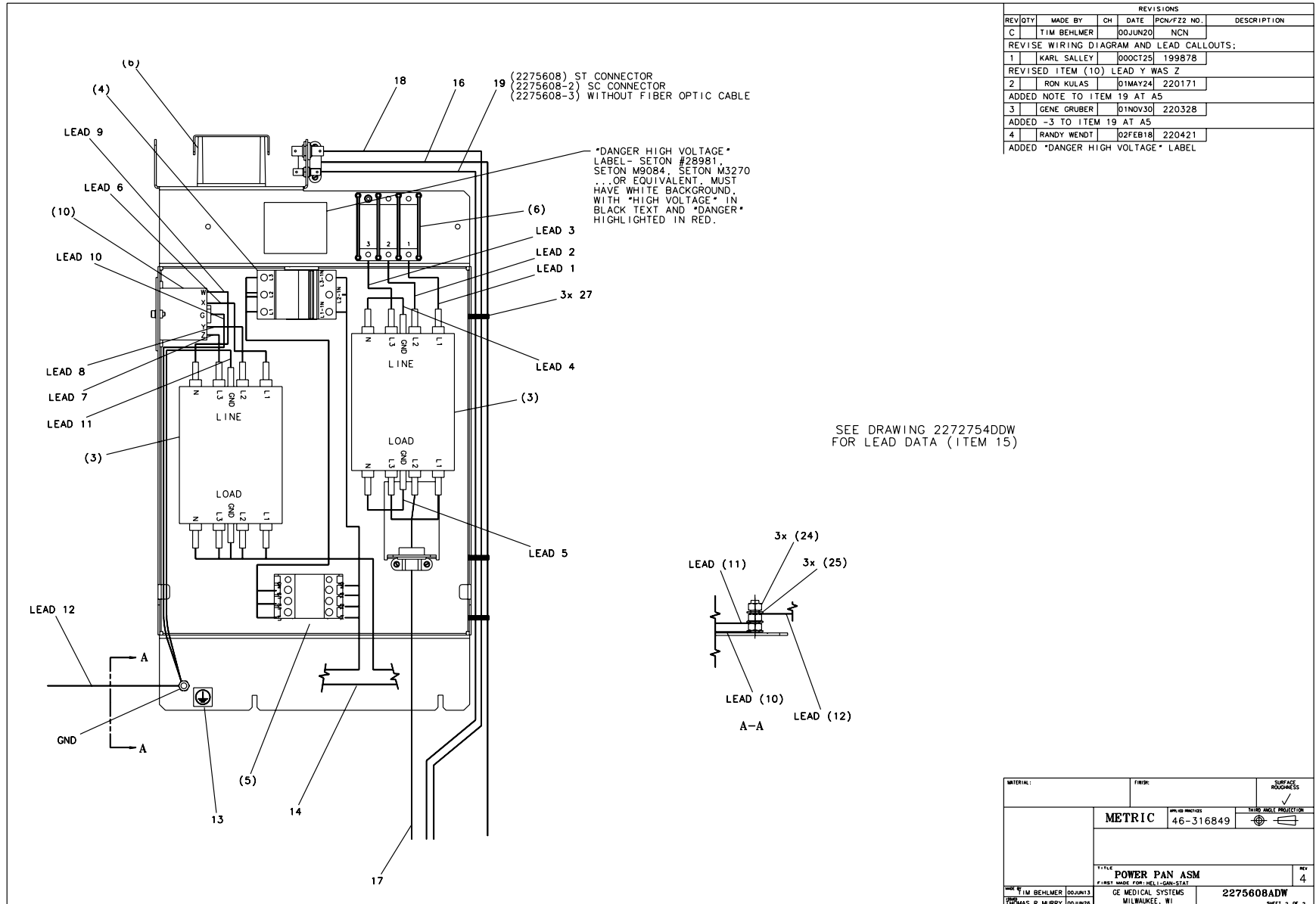


Figure 4-18 Power Pan (2275608, sheet 2, rev 4)

MARK	NUMBER	QTY	FRU	DESCRIPTION/NAME
3	2113764-11	2.000	Yes	FILTER, 36A, 3PH, 440/250
4A	2269902-10	1.000	Yes	CONTACTOR, 18/32A, 3P, 24
4B	2269902-2	ALT	Yes	CONTACTOR, 18/35A, 3P, 24
5	2269902-7	1.000	Yes	CKT BRKR, 10A, 3P, 480YVA
10	46-317671P1	1.000	Yes	FLANGED INLET, 30A, 120/2
11	2270511	2.000	Yes	COVER - 2 OR 3 POSITION T
12	2270509	1.000	Yes	COVER - POWER PAN
13	46-271110P1	1.000	Yes	LABEL, PROTECTIVE EARTH (
15	2272754	1.000	Yes	H2 POWER PAN ASM LEAD DAT
16	2349109	1.000	Yes	CABLE - HVDC POWER
17	2267646	1.000	Yes	GANTRY AXDR PWR/GANTRY A1
18	2265881	1.000	Yes	STC COAX 2450MM LONG
19*	2266887-2*	1.000	Yes	GANTRY SLIP RING TO POWER*
26	46-170683P1	AR	Yes	LOCTITE 222, 10CC BOTTLE
27	46-208758P2	3.000	Yes	5.5" X .140" SELF-LOCKING
1	2270290	1.000	No	POWER PAN ENCLOSURE
2	2270510	1.000	No	BRACKET - CIRCUIT BREAKER
6	2275177	1.000	No	TERMINAL 185 AMPS 600 VOL
7	2275177-2	1.000	No	TERMINAL 185 AMPS 600 VOL
8	2265406	1.000	No	FIBER-OPTIC COUPLING RECE
9	46-208990P1	1.000	No	50 OHM BNC BULKHEAD ADAP'
14	2265683	1.000	No	H2 120VAC GANT BULKHD-TBL
20	46-328417P3	11.000	No	SCREW HEXAGON SOCKET 4 MM
21	46-328432P2	11.000	No	WASHER LOCK - SPRING 4.1
22	46-328421P502	8.000	No	SCREW PAN HEAD 5 MM 8 MM
23	46-328423P1	8.000	No	SCREW PAN HEAD 2.9 MM 6.5

* Used on 2275608 only

Table 4-8 Power Pan (2275608, -3 BOM, rev 6, 7)

MARK	NUMBER	QTY	FRU	DESCRIPTION/NAME
24	46-328425P2	3.000	No	NUT HEXAGON 6 MM
25	46-328433P3	3.000	No	WASHER LOCK - EXTERNAL 6.
28	46-279768P1	1.000	No	IEC HIGH VOLTAGE SYMBOL

* Used on 2275608 only

Table 4-8 Power Pan (2275608, -3 BOM, rev 6, 7) (Continued)

Section 2.0 — Tilting Frame (2260617)

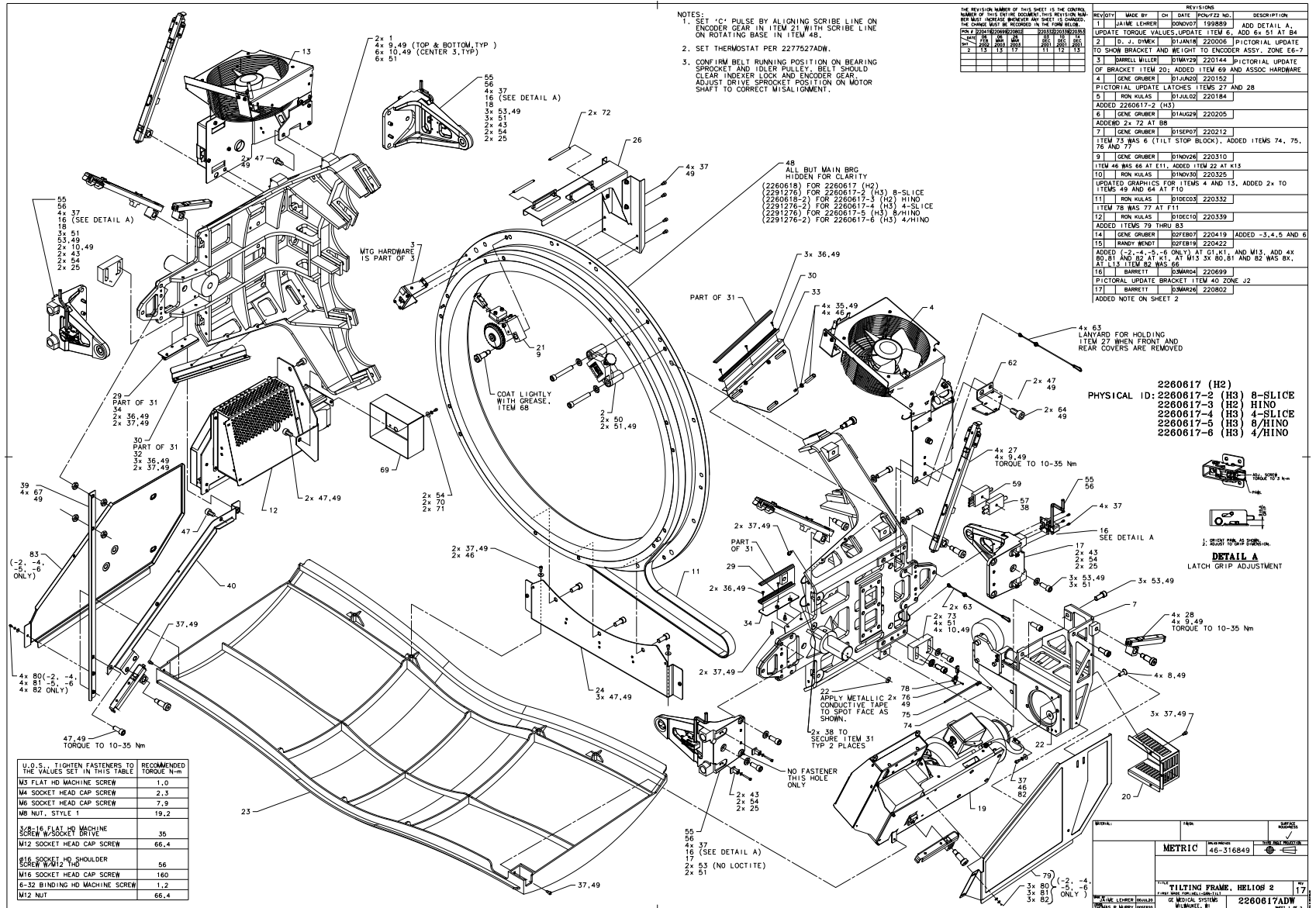


Figure 4-19 Tilting Frame (2260617, sheet 1, rev 17)

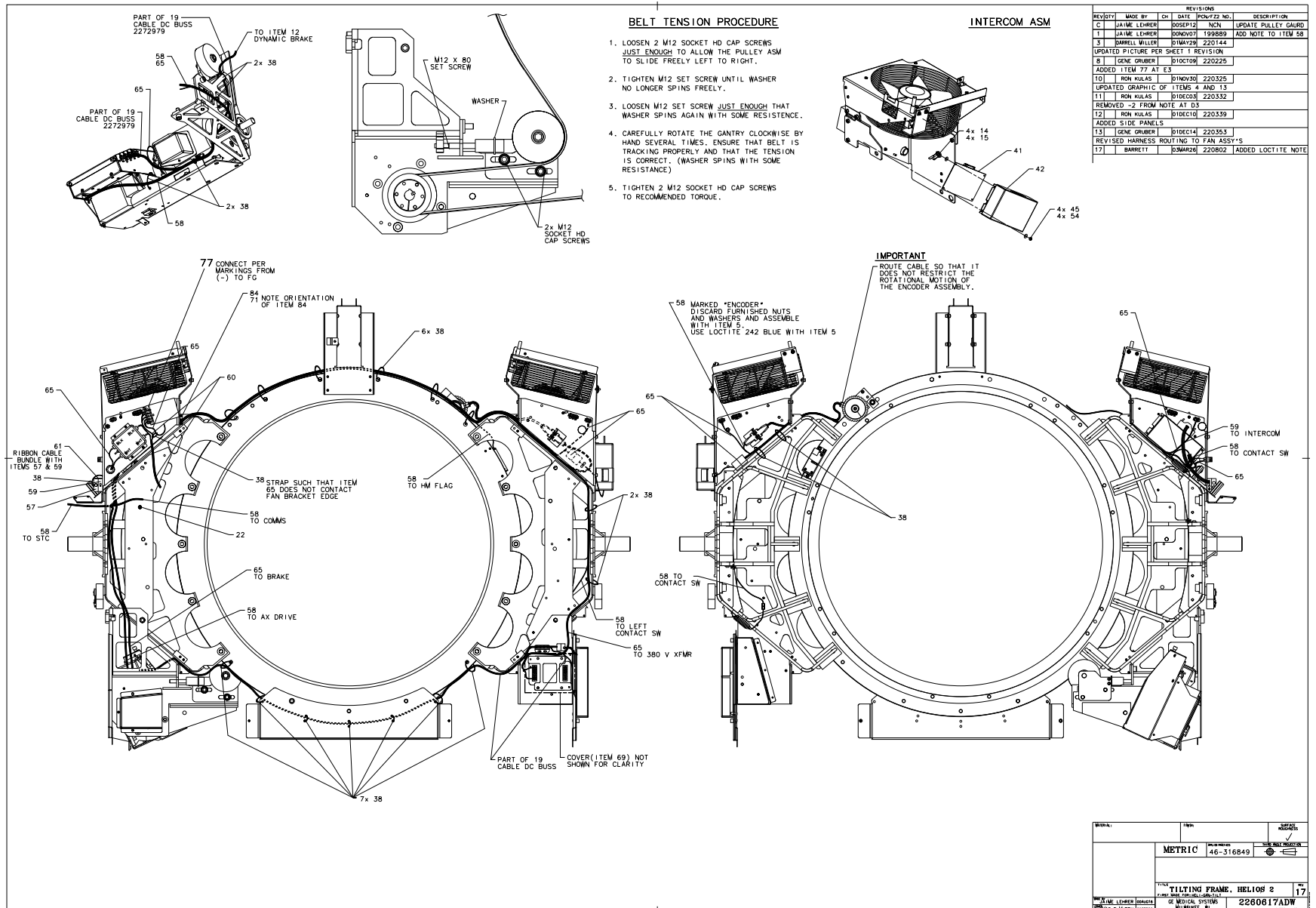


Figure 4-20 Tilting Frame (2260617, sheet 2, rev 17)

MARK	NUMBER	QTY	FRU	DESCRIPTION/NAME
2	2181221	1.000	Yes	INDEXER/ROTATING LOCK ASSEMBLY {For further detail, see Section 2.1 , beginning on page 204 .
3	2227378	1.000	Yes	HOME FLAG,H2 GANTRY {For further detail, see Section 2.2 , beginning on page 206 .}
4	2315618	1.000	Yes	FAN ASSY- GANTRY, H3 RH {For further detail, see Section 2.3 , beginning on page 210 .}
5	46-221417P1	1.000	Yes	FEMALE SCREWLOCKS, TWO PE
10	46-328417P67	12.000	Yes	SCREW HEXAGON SOCKET 12 M
11	2217993	1.000	Yes	BELT SYNCHRONOUS 4400 MM
21	2328307	1.000	Yes	ENCODER ASSEMBLY WITH PIV {For further detail, see Section 2.10 , beginning on page 234 .}
23	2256713	1.000	Yes	COVER, BOTTOM
29	2269012	2.000	Yes	ALUMINUM CHANNEL,152MM
30	2269011	2.000	Yes	ALUMINUM CHANNEL, 305MM
31	2269009	2.000	Yes	GANTRY CONTACT SWITCH,2 S
32	2269008	1.000	Yes	BRACKET, 305MM TAPE SWITC
33	2269008-2	1.000	Yes	BRACKET, 305MM TAPE SWITC
34	2269007	2.000	Yes	SHORT SUPPORT BRACKET
36	2103580-40	10.000	Yes	SCREW COUNTERSUNK HEX 3 M
38	46-208758P3	23.000	Yes	7.31" X .184" SELF-LOCKIN
41	2320719	1.000	Yes	GANTRY INTERCOM II
57	2263663	1.000	Yes	CAN,COVERS TO ETC
58	2263662	1.000	Yes	STC TO AXDR,ENCODR,HOME F
59	2263659	1.000	Yes	STC TO COVERS
60	2268666	1.000	Yes	TILT-SIDE AC
61	2271661	1.000	Yes	H2 COVER BREATHING LIGHT
63	2278989	6.000	Yes	LANYARD, NYLON U-LOCK, TY
72	46-170490P64	1.000	Yes	.037 WIRE DIA .25 O.D. 3

Table 4-9 H2 Tilting Frame (2260617 BOM, rev 23)

MARK	NUMBER	QTY	FRU	DESCRIPTION/NAME
77	2305982	1.000	Yes	RESISTOR ASM
78	2303589	1.000	Yes	HARNES-CT MOBILE TILT IN
84	46-208759P1	1.000	Yes	7.81" X .184" SELF-LOCKIN
1	2171007	2.000	No	HELIOS 2 BEARING BRACKET
4A	2236719-2	ALT	No	COOLING FAN GANTRY-RIGHT {For further detail, see Section 2.4 , beginning on page 212 .}
6	46-170686P2	AR	No	LOCTITE 242, 10CC
7	2217928-2	1.000	No	MOTOR MOUNT/BELT TNSNR W/ {For further detail, see Section 2.5 , beginning on page 214 .}
8	46-208562P8	4.000	No	SCREW 3/8X16X1" FLAT HEAD
9	46-328419P16	13.000	No	SCREW HEXAGON SOCKET 16 M
12	2266934-2	1.000	No	H2 AXL DYN BRAKE MOD W/CV {For further detail, see Section 2.6 , beginning on page 216 .}
13	2315619	1.000	No	FAN ASSY-GANTRY, H3 LH {For further detail, see Section 2.7 , beginning on page 220 .}
13A	2236719	ALT	No	COOLING FAN GANTRY-LEFT {For further detail, see Section 2.8 , beginning on page 222 .}
14	46-208560P48	4.000	No	SCREW
15	1000904P279	4.000	No	ID 0.1910 OD 0.3125 THK .
16	2278973	4.000	No	SOUTHCO REMOTE COMPRESSIO
17A	2172932-3	2.000	No	FRONT/REAR CVR MNT-MACH,S
17B	2172932-9	ALT	No	FRONT/REAR CVR MNT-MACH S
18A	2172932-2	2.000	No	FRONT AND REAR COVER MOUN
18B	2172932-8	ALT	No	FRONT AND REAR COVER MOUN
19	2217930	1.000	No	DRIVE ASSY, H2 AXIAL {For further detail, see Section 2.9 , beginning on page 224 .}
20	2294730	1.000	No	AXIAL DRIVE SAFETY COVER
22	46-297705P15	2.000	No	.138 X .375 METALLIC COND
23A	2256713-2	ALT	No	COVER, BOTTOM (FRP)

Table 4-9 H2 Tilting Frame (2260617 BOM, rev 23) (Continued)

MARK	NUMBER	QTY	FRU	DESCRIPTION/NAME
24A	2257843	1.000	No	PLATE, BOTTOM COVER MOUNT
24B	2257843-2	ALT	No	PLATE BOTTOM COVER MOUNTI
25	2277655-2	8.000	No	LATCH, KEEPER
26A	2275281	1.000	No	BRACKET, TOP COVER SUPPOR
26B	2275281-2	ALT	No	BRACKET TOP COVER SUPPORT
27	2273029	4.000	No	BRACE, GANTRY COVER UPPER {For further detail, see Section 2.11 , beginning on page 236 .}
28	2273030	4.000	No	BRACE, GANTRY COVER LOWER {For further detail, see Section 2.12 , beginning on page 238 .}
35A	2269587	4.000	No	SERVICE POS SUPPORT FOR H
35B	2269587-2	ALT	No	STANDOFF GANTRY CONTROL S
37	46-328417P13	36.000	No	SCREW HEXAGON SOCKET 6 MM
39A	2258731-2	1.000	No	GNTY CVR SPPT ANGLE W/CV
39B	2258731-3	ALT	No	GNTY CVR SPPT ANGLE W/CV
40A	2258067-5	1.000	No	H2 GANTRY COVER SUPPORT B
40B	2258067-3	ALT	No	GNTY CVR SPPT BRACE W/CV
42	46-297609P1	1.000	No	INTERCOM BRKT
43	46-328417P7	8.000	No	SCREW HEXAGON SOCKET 4 MM
45	46-328425P1	4.000	No	NUT HEXAGON 4 MM
46	2236649-2	7.000	No	WASHER SPECIAL FLAT 6,4 M
47	46-328417P72	11.000	No	SCREW HEXAGON SOCKET 12 M
48	2260618	1.000	No	HELIOS 2 ROTATING BASE ASM {For further detail, see Section 3.0 , beginning on page 240 .}
49	46-170684P2	AR	No	LOCTITE 271, 10CC BOTTLE
51	2236649-5	21.000	No	WASHER SPECIAL FLAT 13 MM
52	46-328417P66	4.000	No	SCREW HEXAGON SOCKET 12 M
54	46-328430P2	6.000	No	WASHER PLAIN - NORMAL 4.3
55	2277599	4.000	No	HANDLE, COMPRESSION LATCH
56	2277430	4.000	No	E-RING, BOWED RETAINING R

Table 4-9 H2 Tilting Frame (2260617 BOM, rev 23) (Continued)

MARK	NUMBER	QTY	FRU	DESCRIPTION/NAME
62	2279904	1.000	No	BRACKET,CABLE SUPPORT UPP
64	46-328417P33	2.000	No	SCREW HEXAGON SOCKET 16 M
65	2267641	1.000	No	TILT-SIDE AC
67	46-328425P13	4.000	No	NUT HEXAGON 12 MM
68	46-170623P2	AR	No	BLACK, HEAVY-DUTY LUBRICA
69	2290204	1.000	No	H2 TRANSFORMER TERMINALS
70	46-328432P2	2.000	No	WASHER LOCK - SPRING 4.1
71	46-328417P3	3.000	No	SCREW HEXAGON SOCKET 4 MM
73	2300627	2.000	No	BLOCK, TILT STOP
74	2109873-15	1.000	No	SCREW PAN HEAD 4 MM 12 MM
75	46-208759P5	1.000	No	6.00" X .140" SELF-LOCKIN
76	46-328421P503	2.000	No	SCREW PAN HEAD 2 MM 10 MM
82	46-328432P3	1.000	No	WASHER LOCK - SPRING 6.1

Table 4-9 H2 Tilting Frame (2260617 BOM, rev 23) (Continued)

2.1 Indexer/Rotating Lock Assembly (2181221)

FRU = YES

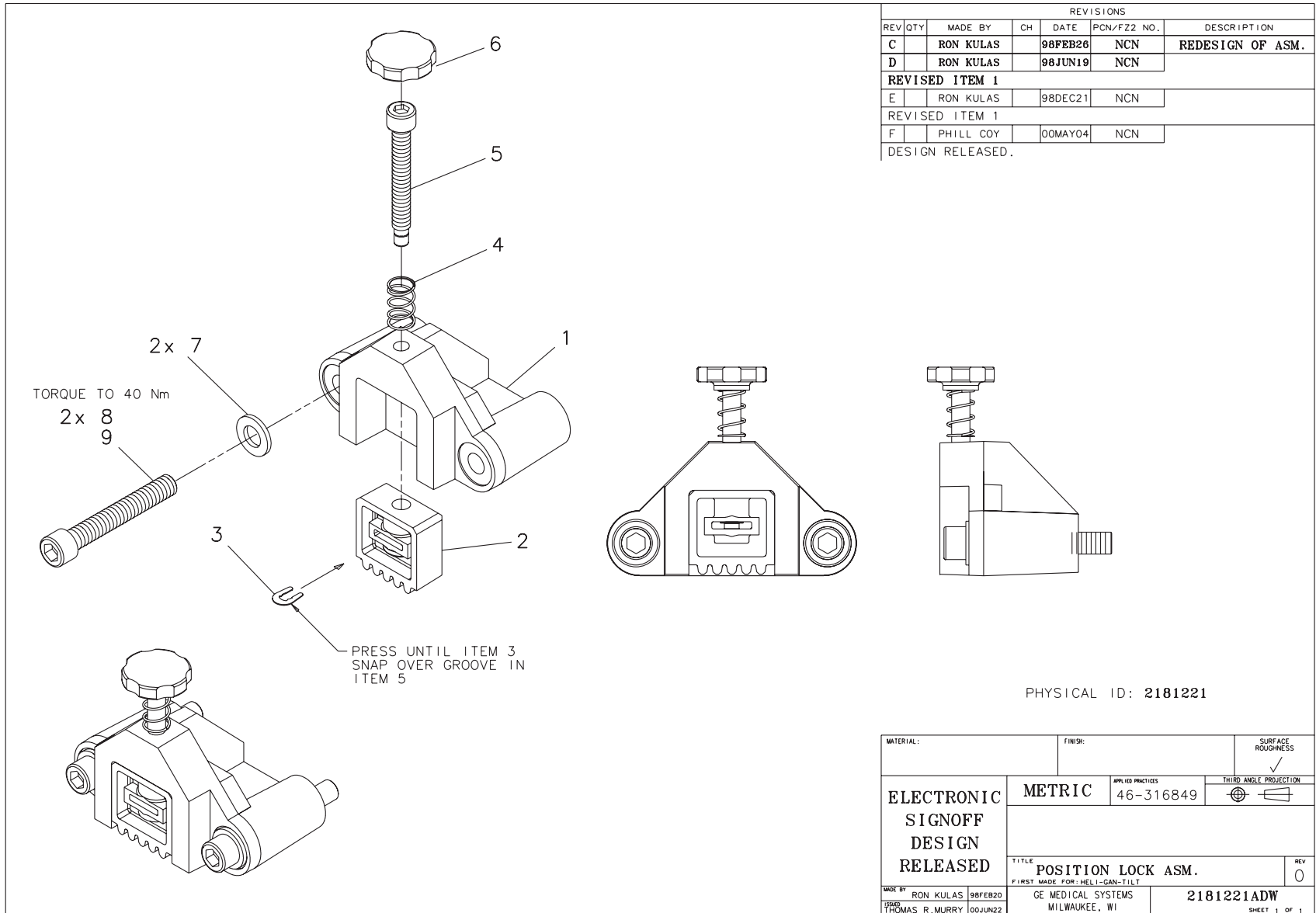


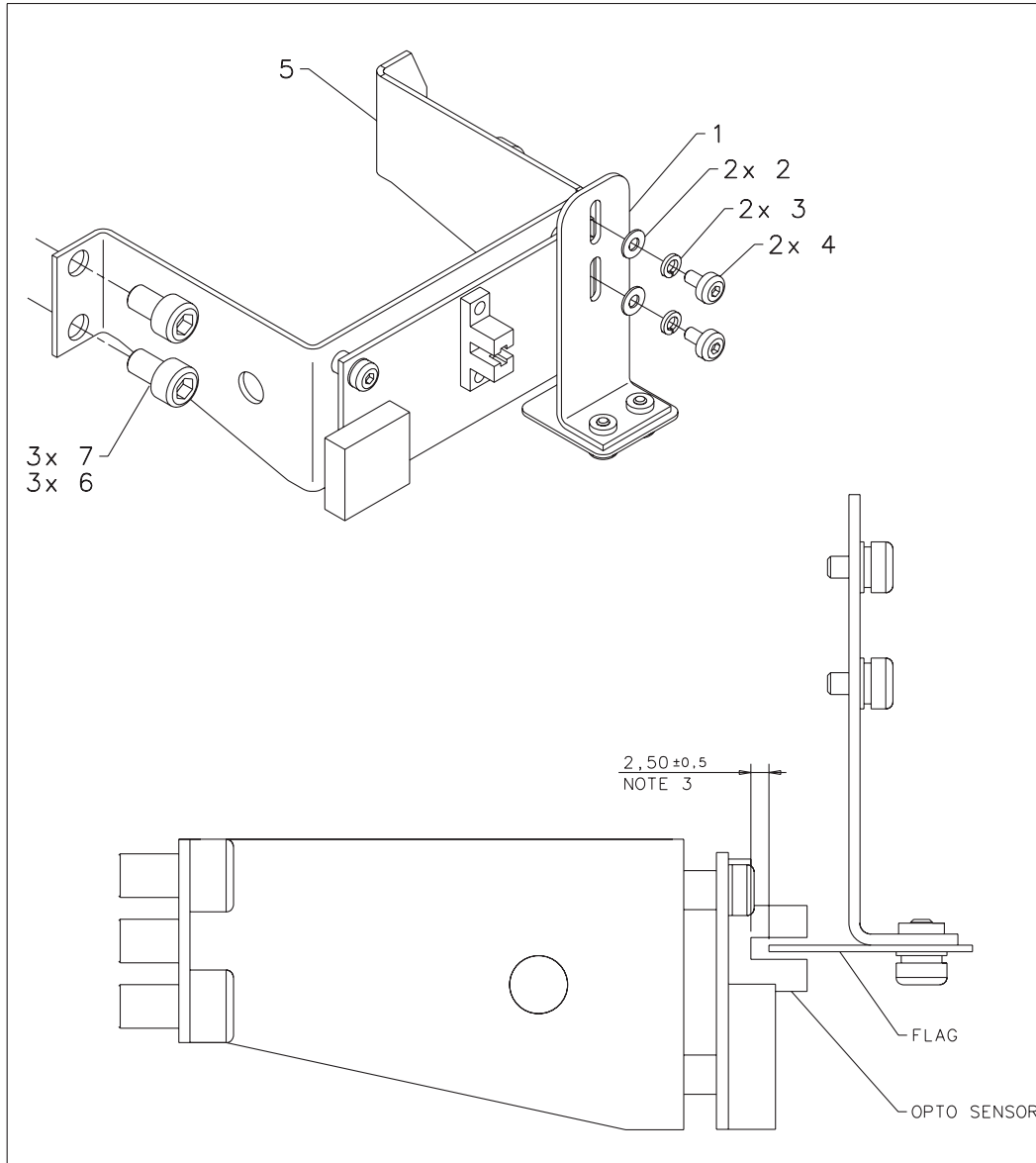
Figure 4-21 Indexer/Rotating Lock Assembly (2181221, sheet 1, rev 0)

MARK	NUMBER	QTY	FRU	DESCRIPTION/NAME
1	2181224	1.000	No	POSITION LOCK BASE MACHINING
2	2181225	1.000	No	SLIDING PLATE FOR INDEXER
3	2211767	1.000	No	RETAINING RING U-CLIP 8 M
4	46-136353P111	1.000	No	SPRING-INCH
5	2181228	1.000	No	SAFETY LOCKING PIN FOR IN
6	2264861	1.000	No	ROSETTE KNOB FOR AN M10 S
7	2236649-5	2.000	No	WASHER SPECIAL FLAT 13 MM
8	46-328417P69	2.000	No	SCREW HEXAGON SOCKET 12 M
9	46-170686P3	AR	No	LOCTITE 242, 50CC

Table 4-10 Indexer/Rotating Lock Assembly (2181221 BOM, rev 0)

2.2 Home Flag Assembly (2227378)

FRU = YES



REVISIONS						
REV	QTY	MADE BY	CH	DATE	PCN/F22 NO.	DESCRIPTION
B		JAIME LEHRER		99NOV09	NCN	
ADD ITEM 7, ADD NOTE 5, UPDATE ITEM 5						
C		PHILL COY		00MAY01	NCN	
DESIGN RELEASED.						

NOTES:

- ITEM 1 ATTACHES TO THE ROTATING BASE.
ITEM 5 ATTACHES TO THE MAIN BEARING.
- ADJUST ITEM 1 TO CENTER THE FLAG IN THE VERTICAL AXIS OF THE OPTO SENSOR SLOT (PART OF ITEM 5).
- ADJUST FLAG (PART OF ITEM 1) HORIZONTALLY TO 2,5±0,5mm FROM BOTTOM OF SLOT IN OPTO SENSOR.
- TORQUE ITEM 4 TO 1,04±0,05N-m
- TORQUE ITEM 7 TO 7.9±0,5N-m

PHYSICAL ID: 2227378

MATERIAL:		FINISH:		SURFACE ROUGHNESS	
ELECTRONIC SIGNOFF DESIGN RELEASED		METRIC		APPLICABLE PRACTICES 46-316849	
ISO "MEDIUM SERIES"		DIMENSIONS WITHOUT TOLERANCE INDICATION		THIRD ANGLE PROJECTION	
NOMINAL DIMENSIONS	0,5 TO 6	OVER 6 TO 30	OVER 30 TO 120	OVER 120 TO 315	OVER 315 TO 1 000
PERMISSIBLE VARIATIONS	±0,1	±0,2	±0,3	±0,5	±0,8
TITLE HOME FLAG ASSEMBLY					REV 0
FIRST MADE FOR: HELI-GAN-TILT					
MADE BY JAIME LEHRER 98OCT 2	THOMAS R. MURRY 00JUN17	GE MEDICAL SYSTEMS MILWAUKEE, WI		2227378ADW SHEET 1 OF 1	

Figure 4-22 Home Flag Assembly (2227378, sheet 1, rev 0)

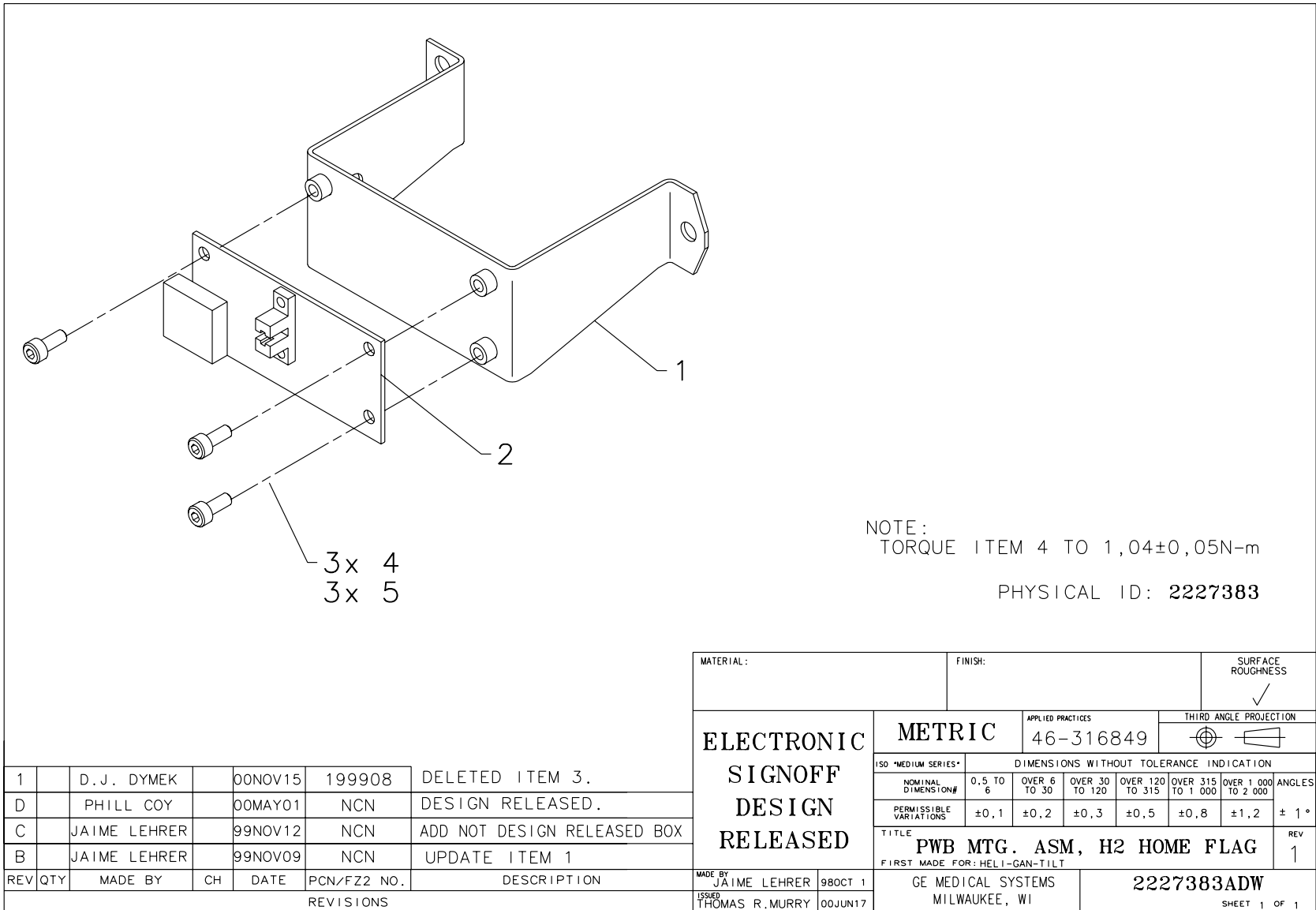
MARK	NUMBER	QTY	FRU	DESCRIPTION/NAME
1	2227381	1.000	No	HOME FLAG BRKT,H2 GANTRY
2	46-311804P2	2.000	No	3.2X9X.8 ZP ST DIN
3	46-311805P10	2.000	No	HELICAL LOCK WASHER
4	46-328417P74	2.000	No	SCREW HEXAGON SOCKET 3 MM
5	2227383	1.000	No	HOME FLAG,PWB MTG,H2 GANT {For further detail, see "PWB Mounting Assembly (2227383)," on page 208.}
6	46-328417P12	3.000	No	SCREW HEXAGON SOCKET 6 MM
7	46-170686P3	AR	No	LOCTITE 242, 50CC

Table 4-11 Home Flag (2227378 BOM, rev 1)

PWB Mounting Assembly (2227383)

FRU = NO

USED ON:
 2227378



NOTE:
 TORQUE ITEM 4 TO 1,04±0,05N-m

PHYSICAL ID: 2227383

					MATERIAL:		FINISH:		SURFACE ROUGHNESS ✓			
					ELECTRONIC SIGNOFF DESIGN RELEASED		METRIC 46-316849		APPLIED PRACTICES 46-316849		THIRD ANGLE PROJECTION 	
							ISO "MEDIUM SERIES" DIMENSIONS WITHOUT TOLERANCE INDICATION					
							NOMINAL DIMENSION# 0,5 TO 6 OVER 6 TO 30 OVER 30 TO 120 OVER 120 TO 315 OVER 315 TO 1 000 OVER 1 000 TO 2 000 PERMISSIBLE VARIATIONS ±0,1 ±0,2 ±0,3 ±0,5 ±0,8 ±1,2 ± 1°					
					TITLE PWB MTG. ASM, H2 HOME FLAG						REV 1	
					FIRST MADE FOR: HELI-GAN-TILT		GE MEDICAL SYSTEMS MILWAUKEE, WI		2227383ADW		SHEET 1 OF 1	
1		D. J. DYMEK	00NOV15	199908	DELETED ITEM 3.							
D		PHILL COY	00MAY01	NCN	DESIGN RELEASED.							
C		JAIME LEHRER	99NOV12	NCN	ADD NOT DESIGN RELEASED BOX							
B		JAIME LEHRER	99NOV09	NCN	UPDATE ITEM 1							
REV	QTY	MADE BY	CH	DATE	PCN/FZ2 NO.	DESCRIPTION	MADE BY	ISSUED				
							JAIME LEHRER	98OCT 1				
REVISIONS							THOMAS R. MURRY	00JUN17				

Figure 4-23 PWB Mounting Assembly (2227383, sheet 1, rev 1)

MARK	NUMBER	QTY	FRU	DESCRIPTION/NAME
2	46-186462G1	1.000	Yes	AZIMUTH ZERO DET. - CT/T
1A	2227407	1.000	No	PWB MTG BRKT,HOME FLAG,H2
1B	2227407-2	ALT	No	BRACKET MTG HOME FLAG PWB
4	46-328417P74	3.000	No	SCREW HEXAGON SOCKET 3 MM
5	46-170686P3	AR	No	LOCTITE 242, 50CC

Table 4-12 PWB Mounting Assembly (2227383 BOM, rev 3)

2.3 Gantry Fan Assy - RH (2315618)

FRU = YES

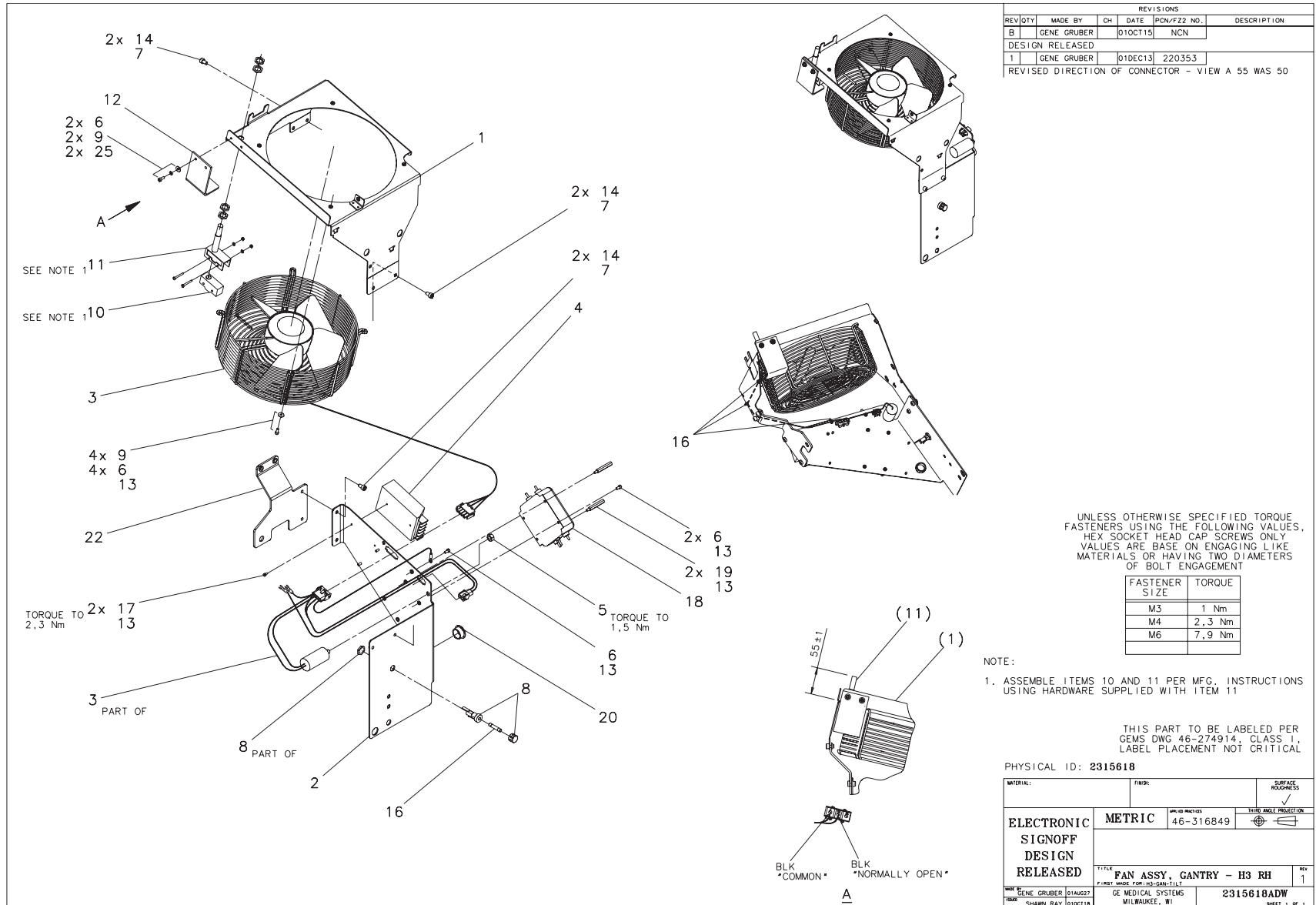


Figure 4-24 Gantry Fan Assembly - RH (2315618, sheet 1, rev 1)

MARK	NUMBER	QTY	FRU	DESCRIPTION/NAME
3	2318338	1.000	Yes	COLLECTOR, FAN/CAPACITOR
4	2205268	1.000	Yes	POWER SUPPLY 15V DC 1.7 A
7	46-170686P3	AR	Yes	LOCTITE 242, 50CC
11	2267611	1.000	Yes	HIGH OVERTRAVEL FOR MICRO
13	46-170683P1	AR	Yes	LOCTITE 222, 10CC BOTTLE
15	46-208758P9	5.000	Yes	11.08"X .140" SELF-LOCKIN
16	46-170021P15	1.000	Yes	008.000A 0250V 3AB
18	46-297335P4	1.000	Yes	20A, 250V 2-STAGE PWR LIN
1	2309247	1.000	No	BRACKET, FAN MOUNTING-RH-
2	2309912	1.000	No	BRACKET, FAN SUPPT-RH
5	46-328425P12	1.000	No	NUT HEXAGON 8 MM
6	46-328417P3	9.000	No	SCREW HEXAGON SOCKET 4 MM
8	46-170042P26	1.000	No	20A, 250V PANEL-MOUNT F
9	46-328431P1	6.000	No	WASHER PLAIN - LARGE 4.3
10	46-136334P62	1.000	No	SPDT, BASIC SWITCH W/ PI
12	2317478	1.000	No	COVER, SWITCH - GANTRY FA
14	46-328417P11	6.000	No	SCREW HEXAGON SOCKET 6 MM
17	46-328417P73	2.000	No	SCREW HEXAGON SOCKET 3 MM
19	2209282-5	2.000	No	STANDOFF/SPACER MALE/FEMA
20	46-208695P63	1.000	No	HEYCO PART NO.2140SB-10
21	46-328432P2	2.000	No	WASHER LOCK - SPRING 4.1
22	2318266	1.000	No	PLATE, FAN SUPPORT BRKT,

Table 4-13 Fan Assembly - Gantry, H3 RH (2315618 BOM, rev 1)

2.4 Cooling Fan Assembly - Right (2236719-2)

FRU = NO

USED ON:
 2260617

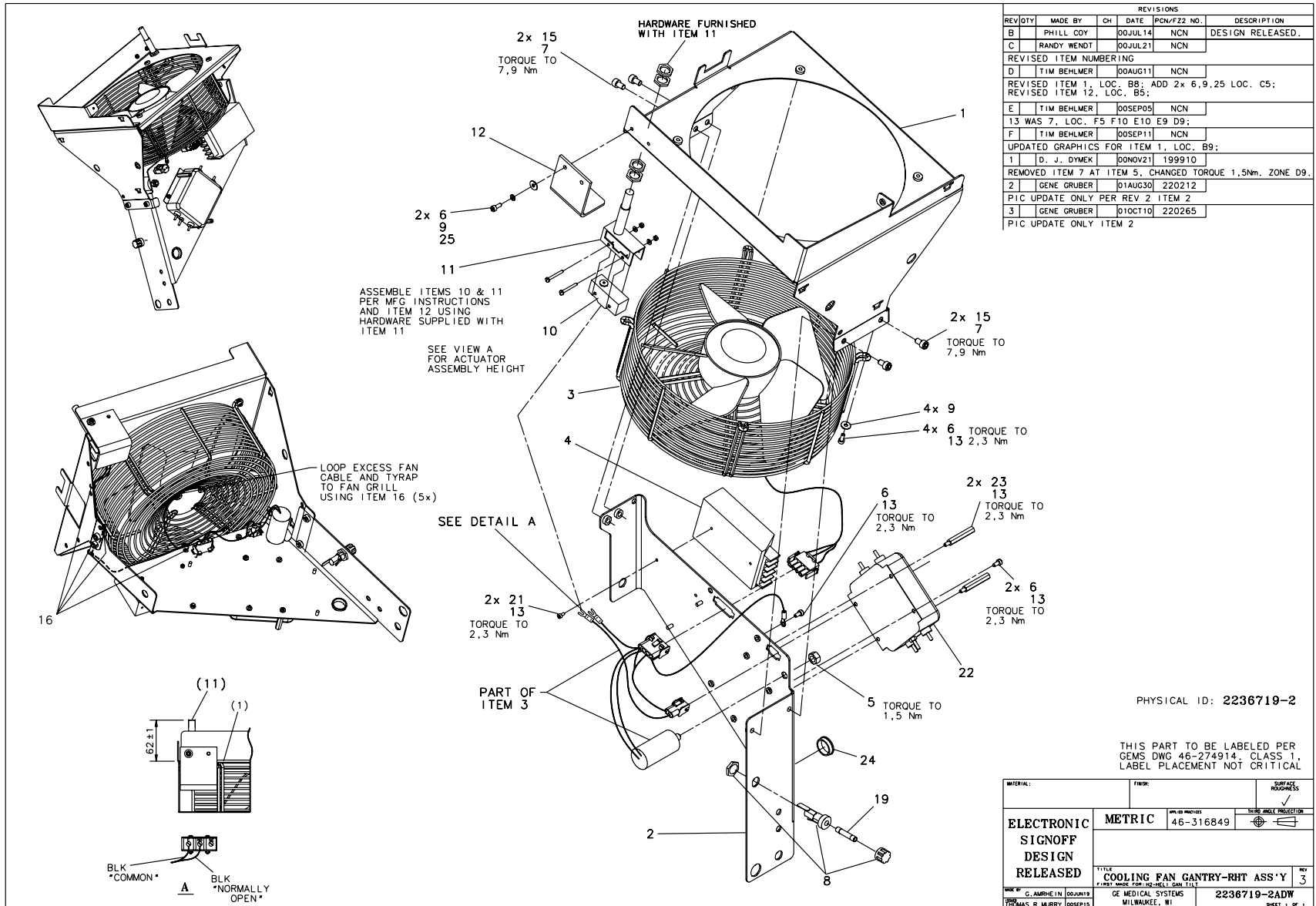


Figure 4-25 Cooling Fan Assembly - Right (2236719-2, sheet 1, rev 3)

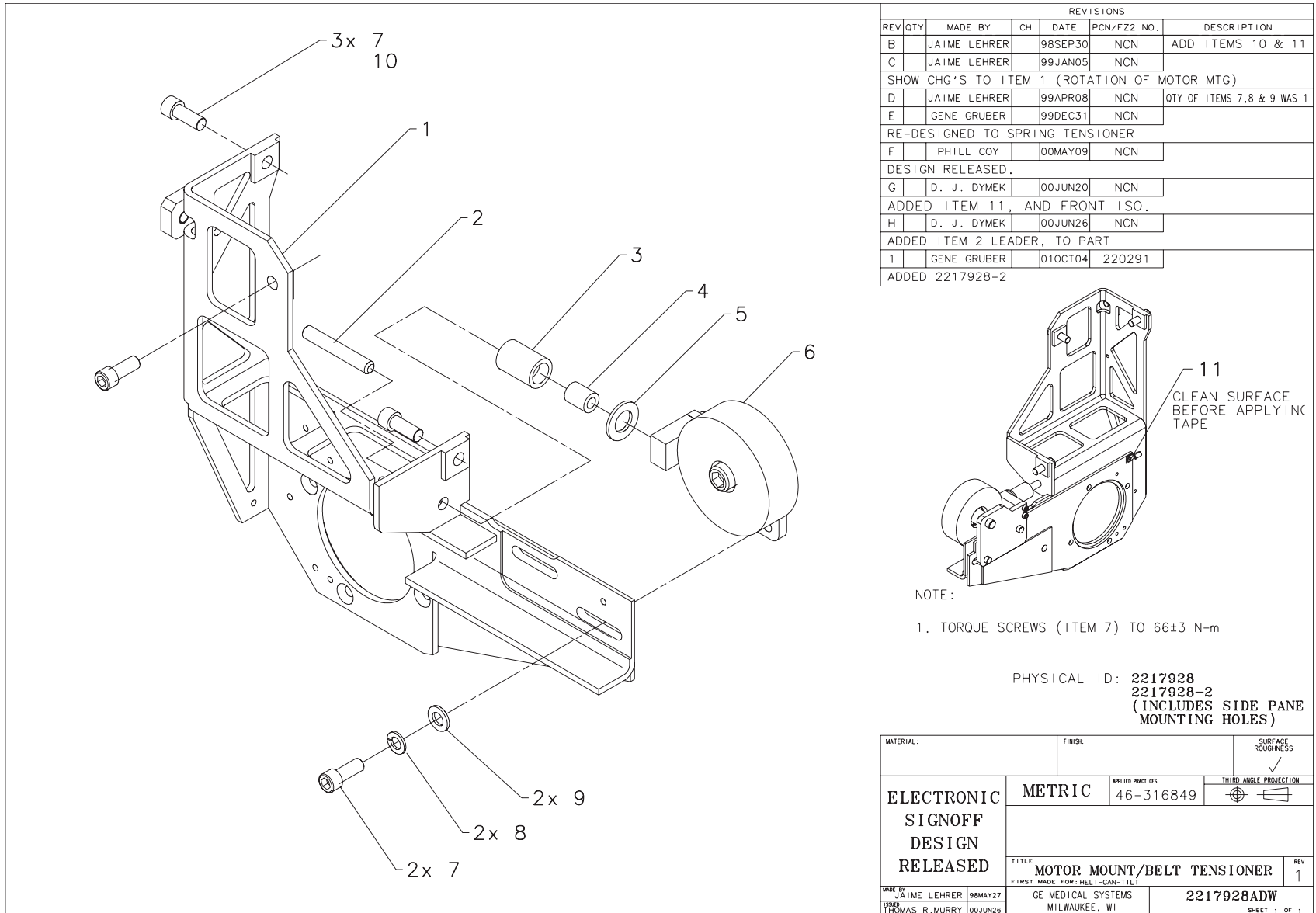
MARK	NUMBER	QTY	FRU	DESCRIPTION/NAME
3	2276909	1.000	Yes	FAN/CAP COLLECTOR, H2
4	2205268	1.000	Yes	POWER SUPPLY 15V DC 1.7 AMPS
11	2267611	1.000	Yes	HIGH OVERTRAVEL FOR MICROSWITCH BZ
16	46-208758P9	5.000	Yes	11.08"X .140" SELF-LOCKING
19	46-170021P15	1.000	Yes	008.000A 0250V 3AB
22	46-297335P4	1.000	Yes	20A, 250V 2-STAGE PWR LIN
1	2280773	1.000	No	BRACKET, GANTRY FAN RIGHT
2	2258728	1.000	No	RIGHT SIDE FAN SUPPORT BRACKET
5	46-328425P12	1.000	No	NUT HEXAGON 8 MM
6	46-328417P3	9.000	No	SCREW HEXAGON SOCKET 4 MM
7	46-170686P3	AR	No	LOCTITE 242, 50CC
8	46-170042P26	1.000	No	20A, 250V PANEL-MOUNT FUSEHOLDER
9	46-328431P1	6.000	No	WASHER PLAIN - LARGE 4.3
10	46-136334P62	1.000	No	SPDT, BASIC SWITCH W/ PIN PLUNGER
12	2281560	1.000	No	COVER GANTRY FAN SWITCH H
13	46-170683P1	AR	No	LOCTITE 222, 10CC BOTTLE
15	46-328417P11	4.000	No	SCREW HEXAGON SOCKET 6 MM
21	46-328417P73	2.000	No	SCREW HEXAGON SOCKET 3 MM
23	2209282-5	2.000	No	STANDOFF/SPACER MALE/FEMA
24	2272992-16	1.000	No	SHORT 19,0 ID FOR 22,2
25	46-328432P2	2.000	No	WASHER LOCK - SPRING 4.1

Table 4-14 Cooling Fan Gantry—Right (2236719-2 BOM, rev 2)

2.5 Motor Mount/Belt Tensioner (2217928-2)

FRU = NO

USED ON:
 2260617



NOTE:

1. TORQUE SCREWS (ITEM 7) TO 66±3 N-m

PHYSICAL ID: 2217928
 2217928-2
 (INCLUDES SIDE PANE
 MOUNTING HOLES)

MATERIAL:		FINISH:		SURFACE ROUGHNESS	
ELECTRONIC SIGNOFF DESIGN RELEASED		METRIC		APPLIED PRACTICES 46-316849	
				THIRD ANGLE PROJECTION	
		TITLE MOTOR MOUNT/BELT TENSIONER		REV 1	
MADE BY JAIME LEHRER 98MAY27		GE MEDICAL SYSTEMS MILWAUKEE, WI		2217928ADW	
DRAWN BY THOMAS R. MURRY 00JUN26				SHEET 1 OF 1	

Figure 4-26 Motor Mount/Belt Tensioner (2217928, sheet 1, rev 1)

MARK	NUMBER	QTY	FRU	DESCRIPTION/NAME
6	2217943	1.000	Yes	IDLER ASM WITH MTG PLATE
10	46-170684P2	AR	Yes	LOCTITE 271,10CC BOTTLE
1	2215426-2	1.000	No	AXIAL MOTOR MTG. BRKT W/C
2	46-328424P37	1.000	No	SCREW SET SCREW 12 MM 80
3A	2258510	1.000	No	SPRING HOLDER, IDLER PULLE
3B	2258510-2	ALT	No	SPRING HOLDER, IDLER PULLE
4	46-297391P1	1.000	No	SPRING
5	2236649-7	1.000	No	WASHER SPECIAL FLAT 21 MM
7	46-328417P64	5.000	No	SCREW HEXAGON SOCKET 12 M
8	46-328432P7	2.000	No	WASHER LOCK - SPRING 12.2
9	2236649-5	2.000	No	WASHER SPECIAL FLAT 13 MM
11	46-297705P15	1.000	No	.138 X .375 METALLIC COND

Table 4-15 Motor Mount/Belt Tensioner (2217928-2 BOM, rev 3)

2.6 Axial Dynamic Braking Module (2266934-2)

FRU = NO

USED ON:
 2260617

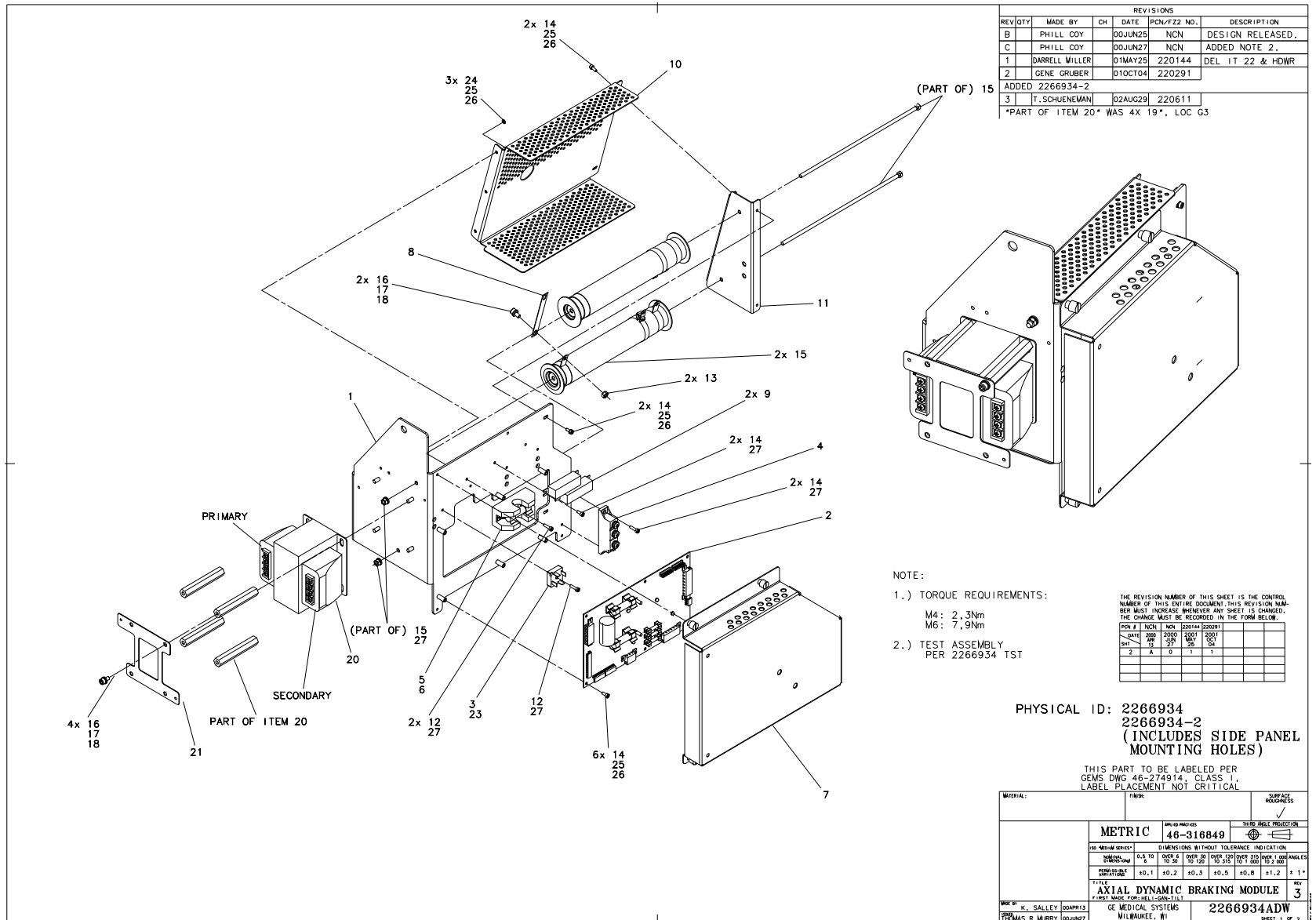


Figure 4-27 Axial Dynamic Braking Module (2266934, sheet 1, rev 3)

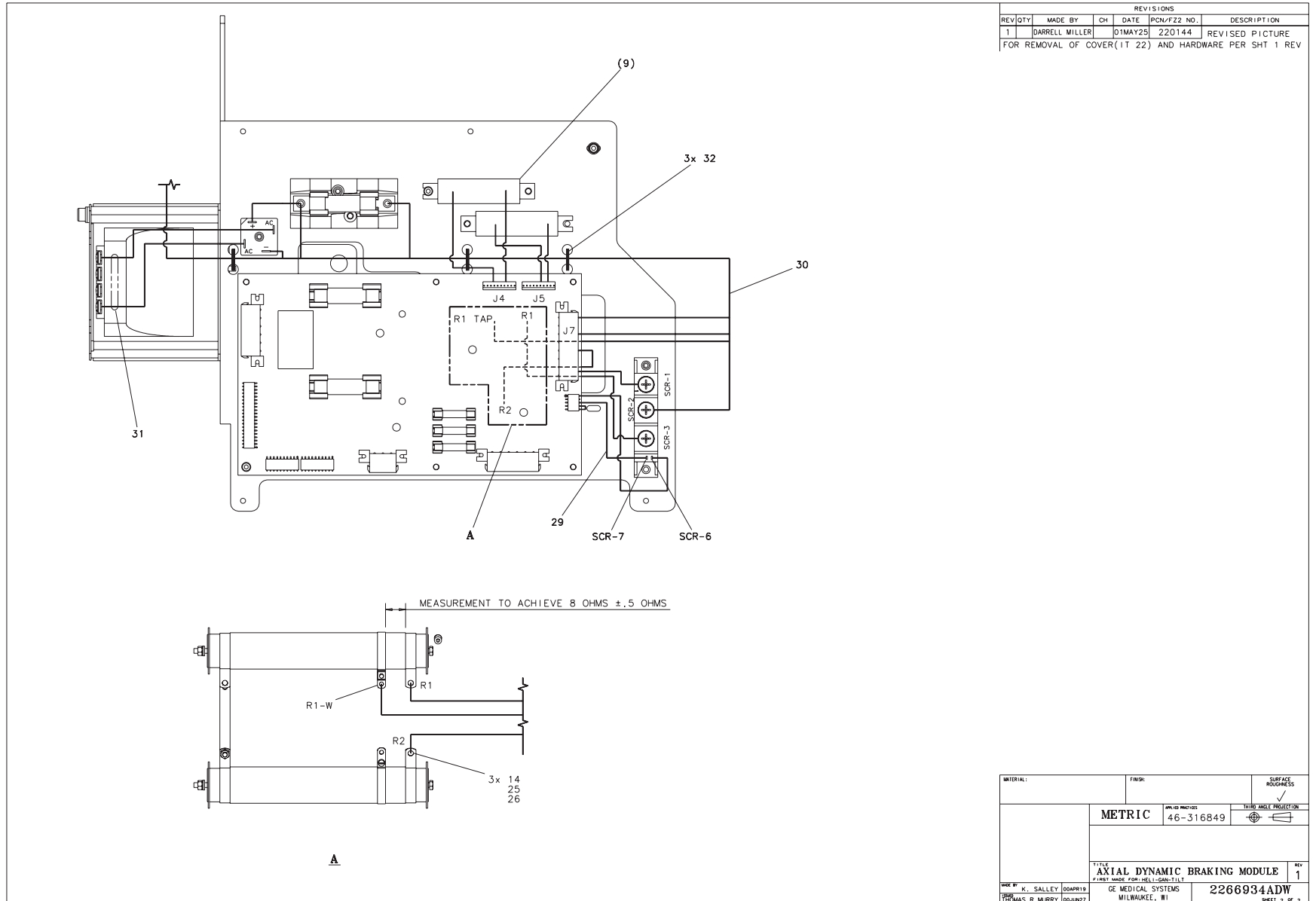


Figure 4-28 Axial Dynamic Braking Module (2266934, sheet 2, rev 1)

MARK	NUMBER	QTY	FRU	DESCRIPTION/NAME
2	2145832	1.000	Yes	HEMRC INTERFACE BOARD
3	2147062	1.000	Yes	SEMICONDUCTOR:DIODE GENER
4	2185251	1.000	Yes	SCR 1200V, 27A, CHASSIS M
5	2185277	1.000	Yes	1-30A, 600V, 1P, FOR 9/16
6	46-170021P104	1.000	Yes	FUSE 10 AMPS 700 VOLTS
9	2183892	2.000	Yes	7500 OHM 40 WATT RESISTOR
15	2184701-2	2.000	Yes	RESISTOR 50 OHMS 10 % 500
20	2354743	1.000	Yes	STEP UP TRANSFORMER WITH
20A	2354744	ALT	Yes	STEP UP TRANSFORMER WITH
23	46-170212P1	AR	Yes	SILICONE, THERMAL JOINT C
27	46-170686P3	AR	Yes	LOCTITE 242, 50CC
29	2222151	1.000	Yes	HEMRC SCR GATE HARNESS
30	2271537	1.000	Yes	H2 BRAKE MODULE
31	2271549	1.000	Yes	H2 BRAKE MODULE-380VAC
32	46-208758P2	3.000	Yes	5.5" X .140" SELF-LOCKING
1	2265343	1.000	No	AXIAL DYNAMIC BRAKING ASM
7	2265650-2	1.000	No	CVR FOR HEMRC I/F BD W/CV
8	2269981	1.000	No	BRAKE RESISTOR,AXIAL DYNA
10	2267930	1.000	No	BRAKE RESISTOR COVER,H2 A
11	2265344	1.000	No	RESISTOR MTG BRACKET
12	46-328417P5	3.000	No	SCREW HEXAGON SOCKET 4 MM
13	46-328425P2	2.000	No	NUT HEXAGON 6 MM
14	46-328417P3	17.000	No	SCREW HEXAGON SOCKET 4 MM
16	46-328430P3	6.000	No	WASHER PLAIN - NORMAL 6.4
17	46-328432P3	6.000	No	WASHER LOCK - SPRING 6.1
18	46-328417P12	6.000	No	SCREW HEXAGON SOCKET 6 MM
21	2265652	1.000	No	380 VAC TRANSFORMER MTG P

Table 4-16 Axial Dynamic Brake Module, w/cvr mnt hls (2266934-2 BOM, rev 3)

MARK	NUMBER	QTY	FRU	DESCRIPTION/NAME
24	46-328425P1	3.000	No	NUT HEXAGON 4 MM
25	46-328430P2	16.000	No	WASHER PLAIN - NORMAL 4.3
26	46-328432P2	16.000	No	WASHER LOCK - SPRING 4.1

Table 4-16 Axial Dynamic Brake Module, w/cvr mnt hls (2266934-2 BOM, rev 3) (Continued)

2.7 Gantry Fan Assy - LH (2315619)

FRU = NO

USED ON:
 2260617

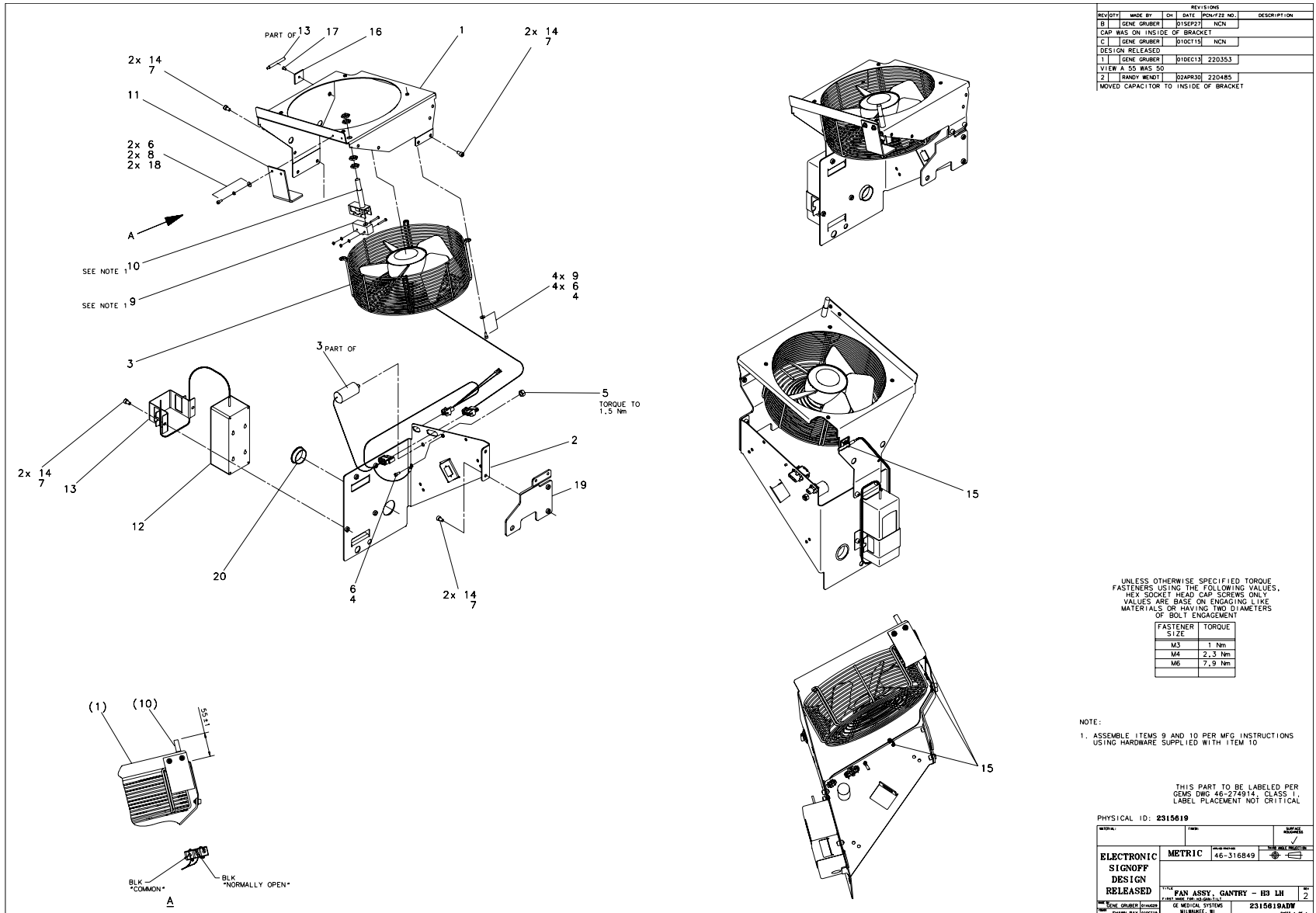


Figure 4-29 Gantry Fan Assembly - LH (2315619, sheet 1, rev 2)

MARK	NUMBER	QTY	FRU	DESCRIPTION/NAME
3	2318338	1.000	Yes	COLLECTOR, FAN/CAPACITOR
4	46-170683P1	AR	Yes	LOCTITE 222, 10CC BOTTLE
7	46-170686P3	AR	Yes	LOCTITE 242, 50CC
10	2267611	1.000	Yes	HIGH OVERTRAVEL FOR MICRO
12	2277527	1.000	Yes	GANTRY FAN THERMOSTAT
15	46-208758P9	4.000	Yes	11.08"X .140" SELF-LOCKIN
16	46-208747P2	1.000	Yes	CABLE TIE MOUNT ADHESIVE
1	2309248	1.000	No	BRACKET, FAN MOUNTING-LH-
2	2309913	1.000	No	BRACKET, FAN SUPPT-LH
5	46-328425P12	1.000	No	NUT HEXAGON 8 MM
6	46-328417P3	7.000	No	SCREW HEXAGON SOCKET 4 MM
8	46-328431P1	6.000	No	WASHER PLAIN - LARGE 4.3
9	46-136334P62	1.000	No	SPDT, BASIC SWITCH W/ PI
11	2317478	1.000	No	COVER, SWITCH - GANTRY FA
13	2274356	1.000	No	THERMOSTAT MOUNTING BRKT,
14	46-328417P11	8.000	No	SCREW HEXAGON SOCKET 6 MM
17	2103580	1.000	No	SCREW COUNTERSUNK HEA 4 M
18	46-328432P2	2.000	No	WASHER LOCK - SPRING 4.1
19	2318266-2	1.000	No	PLATE, FAN SUPPORT BRKT,
20	46-208695P81	1.000	No	HEYCO PART NO.2240 SB-15

Table 4-17 Fan Assembly - Gantry, H3 LH (2315619 BOM, rev 1)

2.8 Cooling Fan Assembly - Left (2236719)

FRU = NO

USED ON:
 2260617

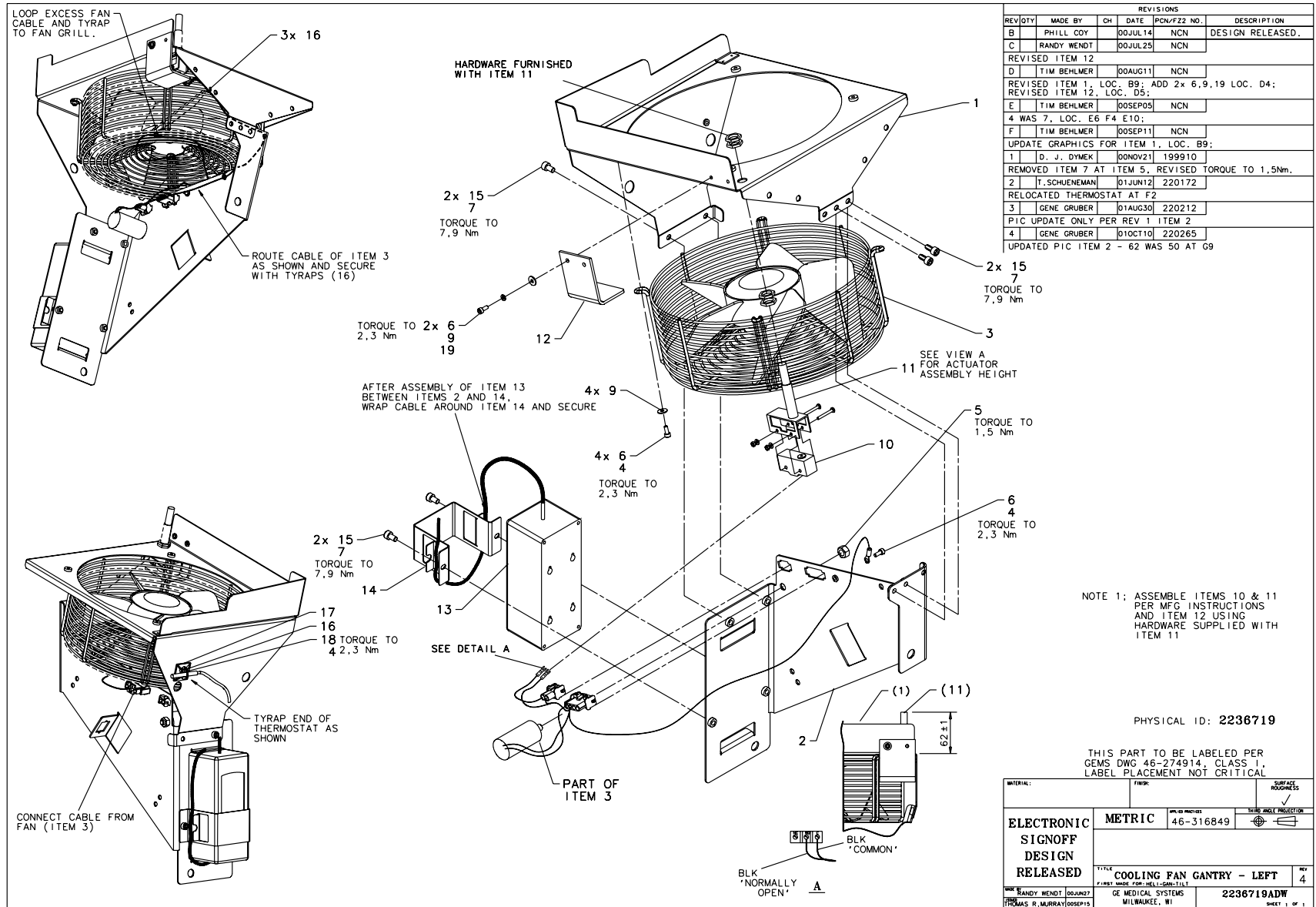


Figure 4-30 Cooling Fan Assembly - Left (2236719, sheet 1, rev 4)

MARK	NUMBER	QTY	FRU	DESCRIPTION/NAME
3	2276909	1.000	Yes	FAN/CAP COLLECTOR, H2
13	2277527	1.000	Yes	GANTRY FAN THERMOSTAT
17	46-208747P2	1.000	Yes	CABLE TIE MOUNT ADHESIVE
1	2280773-2	1.000	No	BRACKET, GANTRY FAN LEFT
2	2258728-2	1.000	No	LEFT SIDE FAN SUPPORT BRACKET
4	46-170683P1	AR	No	LOCTITE 222, 10CC BOTTLE
5	46-328425P12	1.000	No	NUT HEXAGON 8 MM
6	46-328417P3	7.000	No	SCREW HEXAGON SOCKET 4 MM
7	46-170686P3	AR	No	LOCTITE 242, 50CC
9	46-328431P1	6.000	No	WASHER PLAIN - LARGE 4.3 MM 12 MM
10	46-136334P62	1.000	No	SPDT, BASIC SWITCH W/ PIN PLUNGER
11	2267611	1.000	No	HIGH OVERTRAVEL FOR MICROSWITCH BZ
12	2281560	1.000	No	COVER GANTRY FAN SWITCH H
14	2274356	1.000	No	THERMOSTAT MOUNTING BRKT, H2 GANTRY
15	46-328417P11	6.000	No	SCREW HEXAGON SOCKET 6 MM
16	46-208758P9	4.000	No	11.08"X .140" SELF-LOCKIN
18	2103580	1.000	No	SCREW COUNTERSUNK HEA 4 M
19	46-328432P2	2.000	No	WASHER LOCK - SPRING 4.1

Table 4-18 Cooling Fan Gantry - Left (2236719 BOM, rev 1)

2.9 Drive Assembly, Axial (2217930)

FRU = NO

USED ON:
 2260617

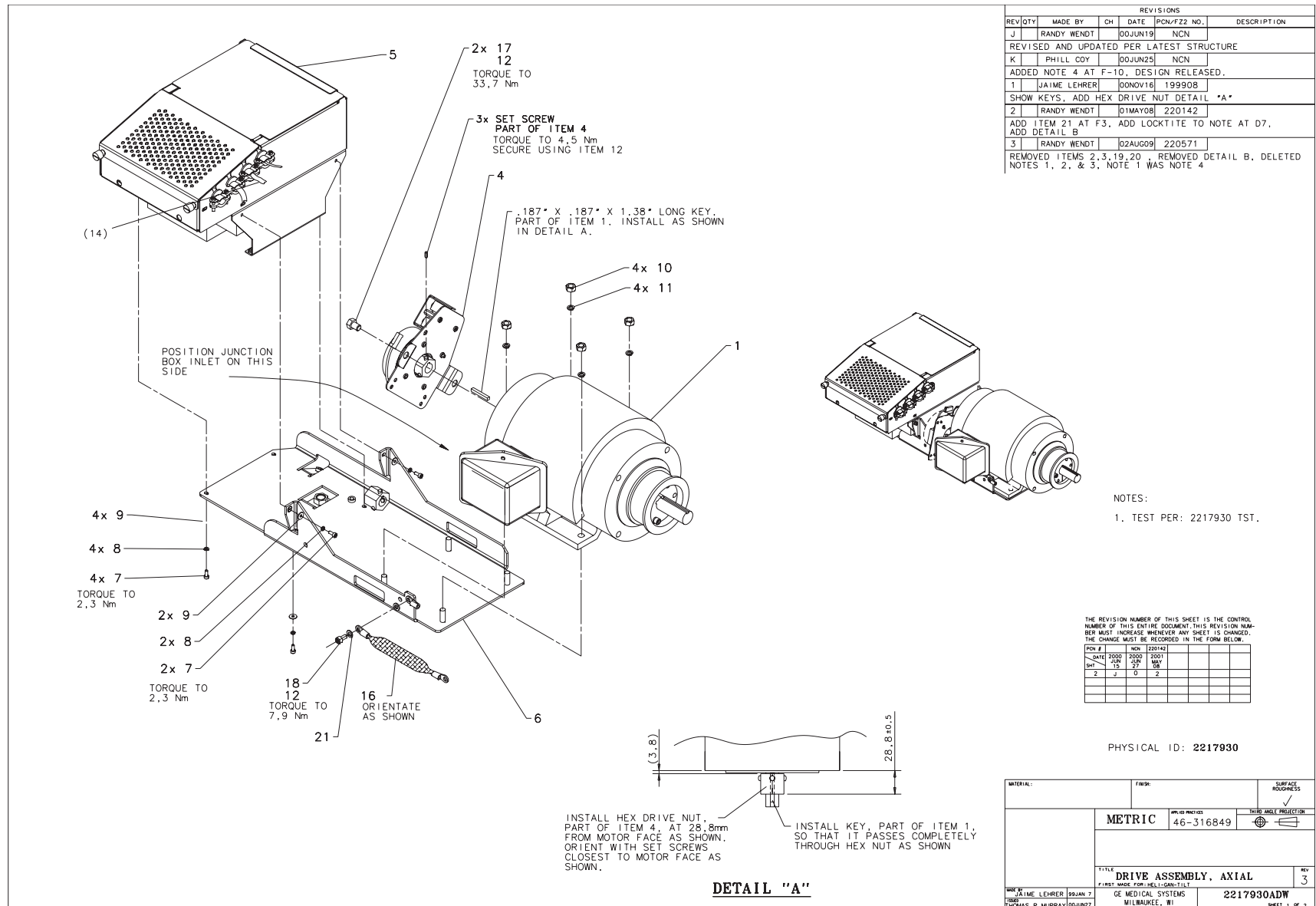
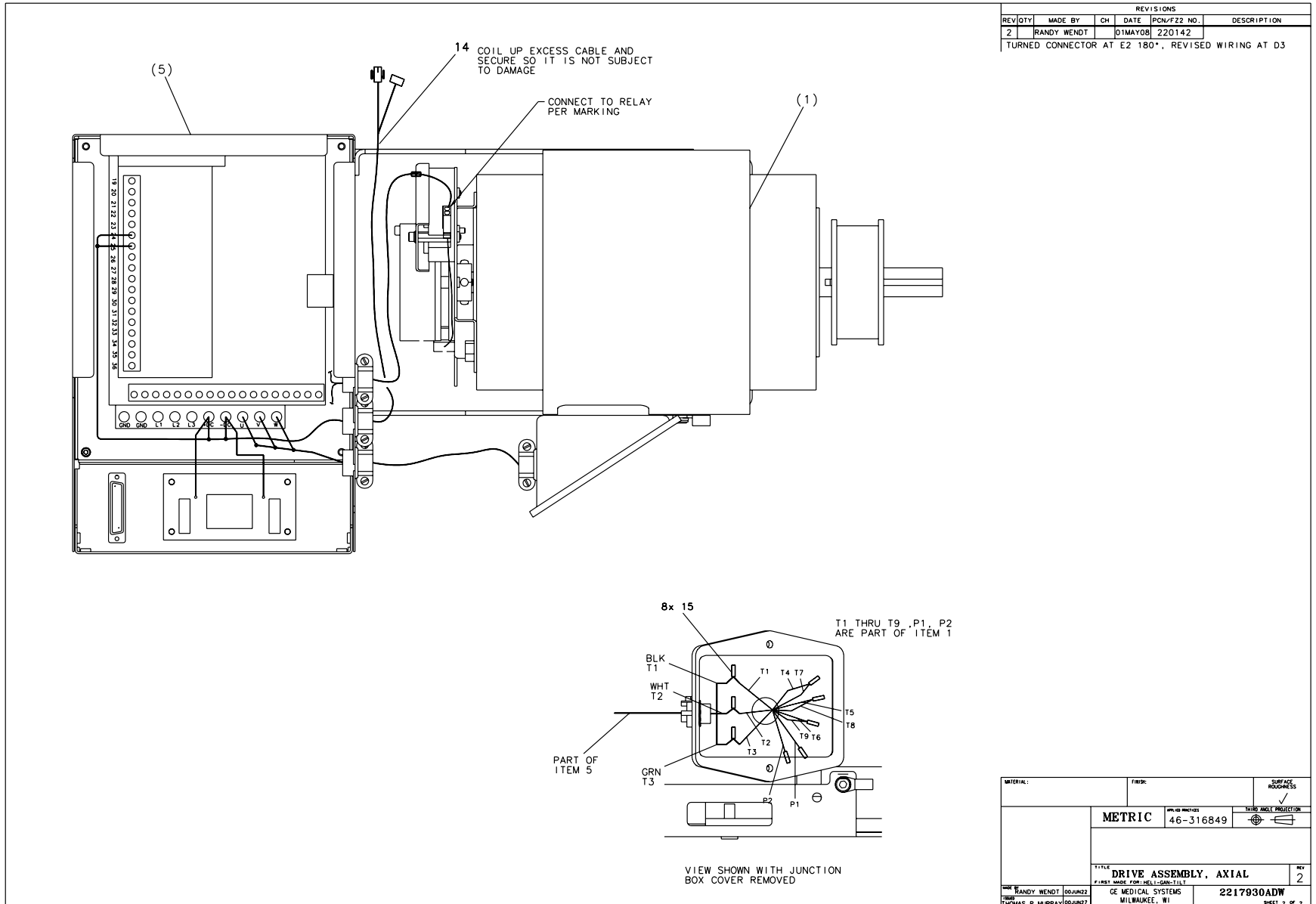


Figure 4-31 Drive Assembly, Axial (2217930, sheet 1, rev 3)



REVISIONS						
REV	QTY	MADE BY	CH	DATE	PCN/F22 NO.	DESCRIPTION
2		RANDY WENDT		01MAY08	220142	TURNED CONNECTOR AT E2 180°, REVISED WIRING AT D3

MATERIAL:	FINISH:	SURFACE ROUGHNESS:
		✓
	METRIC	46-316849
TITLE: DRIVE ASSEMBLY, AXIAL		
REV: 2		
MADE BY: RANDY WENDT 00JUN22	GE MEDICAL SYSTEMS MILWAUKEE, WI	2217930ADW
THROW: THOMAS R. MURRAY 00JUN22		SHEET 2 OF 2

Figure 4-32 Drive Assembly, Axial (2217930, sheet 2, rev 2)

MARK	NUMBER	QTY	FRU	DESCRIPTION/NAME
1	2235342-2	1.000	Yes	AXIAL MOTOR W/ SPROCKET, H2 GANTRY
4	2277225	1.000	Yes	BRAKE ASSEMBLY, AXIAL DRIVE MOTOR {For further detail, see Section 2.9.1 , beginning on page 228 .}
5	2233402	1.000	Yes	AXIAL DRIVE MOTOR CONTRLLER W/CORERS ASSEMBLY {For further detail, see Section 2.9.2 , beginning on page 230 .}
14	2272979	1.000	Yes	DC BUS - AXIAL DRIVE TO BRAKE
16	2275840-3	1.000	Yes	GROUND - BRAID - AXIAL DRIVE TO
6	2345622	1.000	No	BRACKET AXIAL CONTROLLER
7	46-328417P3	6.000	No	SCREW HEXAGON SOCKET 4 MM
8	46-328432P2	6.000	No	WASHER LOCK - SPRING 4.1 MM 7.6 MM
9	46-328430P2	6.000	No	WASHER PLAIN - NORMAL 4.3 MM 9 MM
10	46-328425P12	4.000	No	NUT HEXAGON 8 MM
11	46-311805P4	4.000	No	M8 ZP DIN
12	46-170686P3	AR	No	LOCTITE 242, 50CC
15	2275176	8.000	No	TERMINAL 20 AMPS 600 VOLTS 1 EACH
17	46-208561P36	2.000	No	SCREW__3/8 HEX HD BOLT
18	46-328417P12	1.000	No	SCREW HEXAGON SOCKET 6 MM
21	46-328432P3	1.000	No	WASHER LOCK - SPRING 6.1
22	46-170684P2	AR	No	LOCTITE 271, 10CC BOTTLE

Table 4-19 Drive Assembly, Axial (2217930 BOM, rev 6)

This Page Intentionally Blank.

2.9.1 Axial Drive Brake Assembly (2277225)

FRU = YES

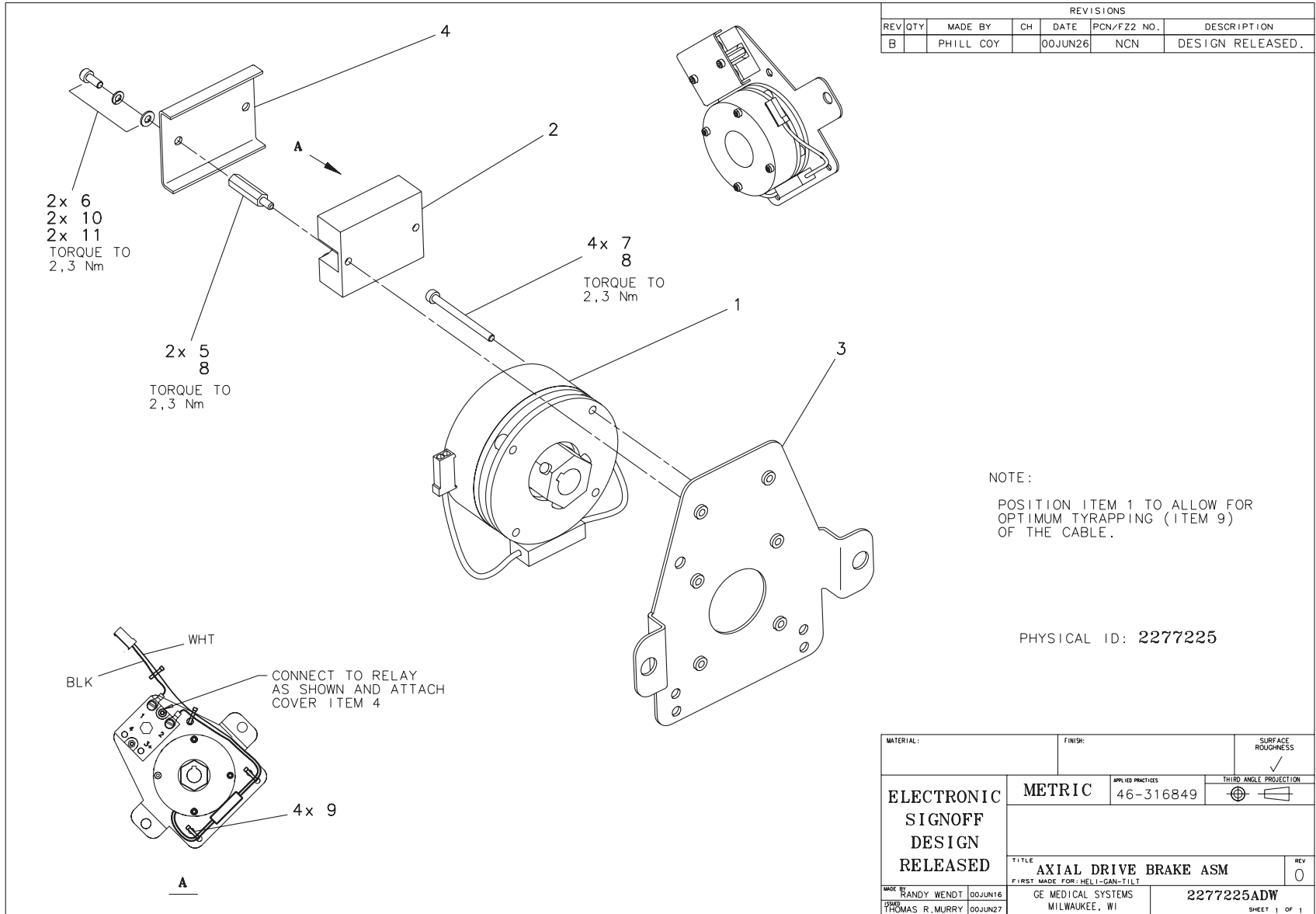


Figure 4-33 Axial Drive Brake Assembly (2277225, sheet 1, rev 0)

MARK	NUMBER	QTY	FRU	DESCRIPTION/NAME
2	46-188067P1	1.000	Yes	10 AMP, 240VAC SOLID STATE RELAY
4	2260672	1.000	Yes	COVER FOR AXIAL BRAKE RELAY
1	2254392	1.000	No	HOLDING BRAKE FOR AXIAL DRIVE
3	2253490	1.000	No	AXIAL BRAKE MOUNTING BRACKET FOR H2
5	2209282-3	2.000	No	STANDOFF/SPACER MALE/FEMALE 4 MM 6 M
6	46-328417P3	2.000	No	SCREW HEXAGON SOCKET 4 MM
7	46-328417P77	4.000	No	SCREW HEXAGON SOCKET 4 MM
8	46-170686P3	AR	No	LOCTITE 242, 50CC
9	46-208758P9	4.000	No	11.08"X .140" SELF-LOCKIN
10	46-328431P1	2.000	No	WASHER PLAIN - LARGE 4.3 MM 12 MM
11	46-328432P2	2.000	No	WASHER LOCK - SPRING 4.1 MM 7.6 MM

Table 4-20 Brake Assy, H2 Ax Drive Motor (2277225 BOM, rev 2)

2.9.2 Axial Drive Controller Assembly (2233402)

FRU = YES

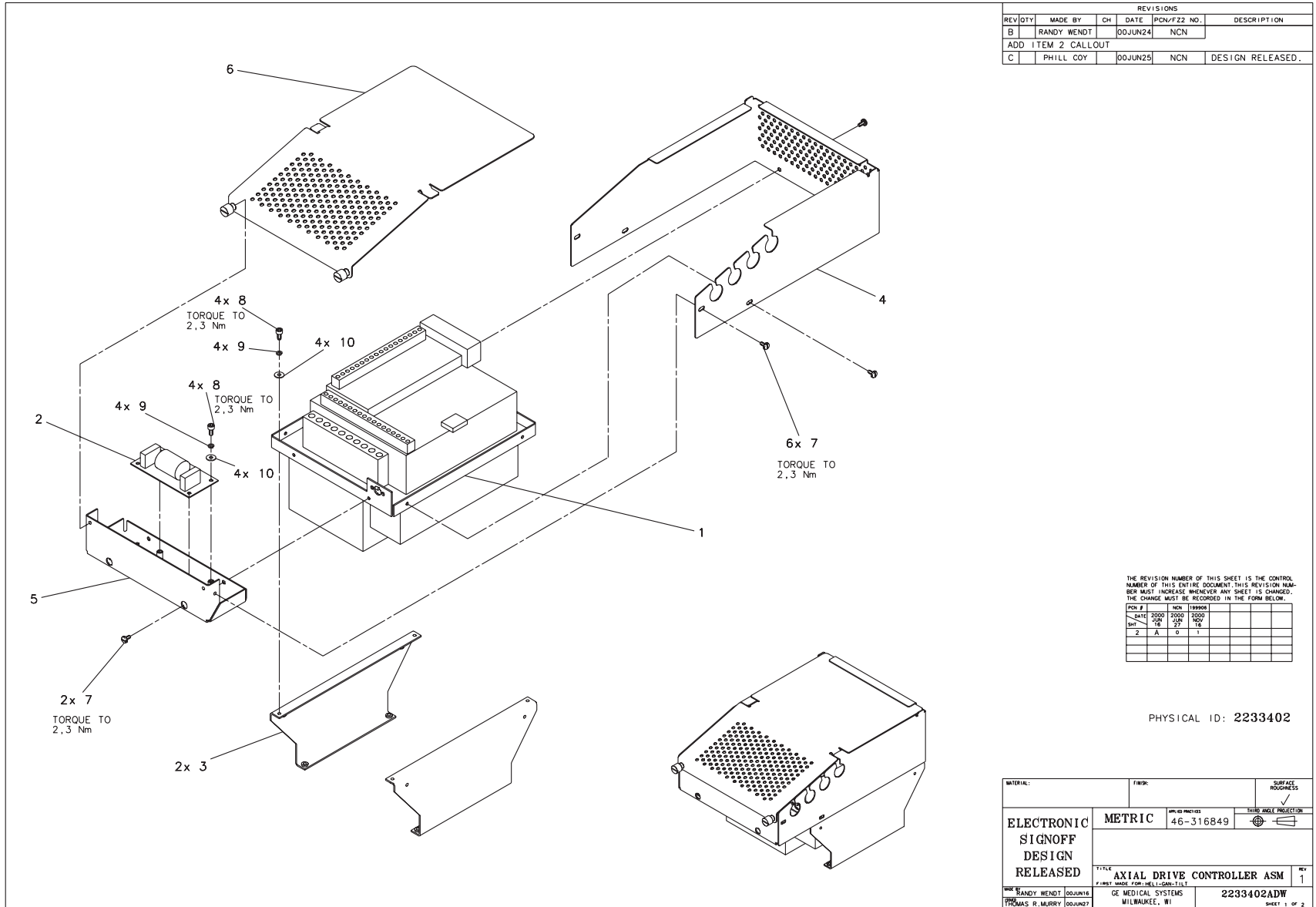


Figure 4-34 Axial Drive Controller Asm (2233402, sheet 1, rev 1)

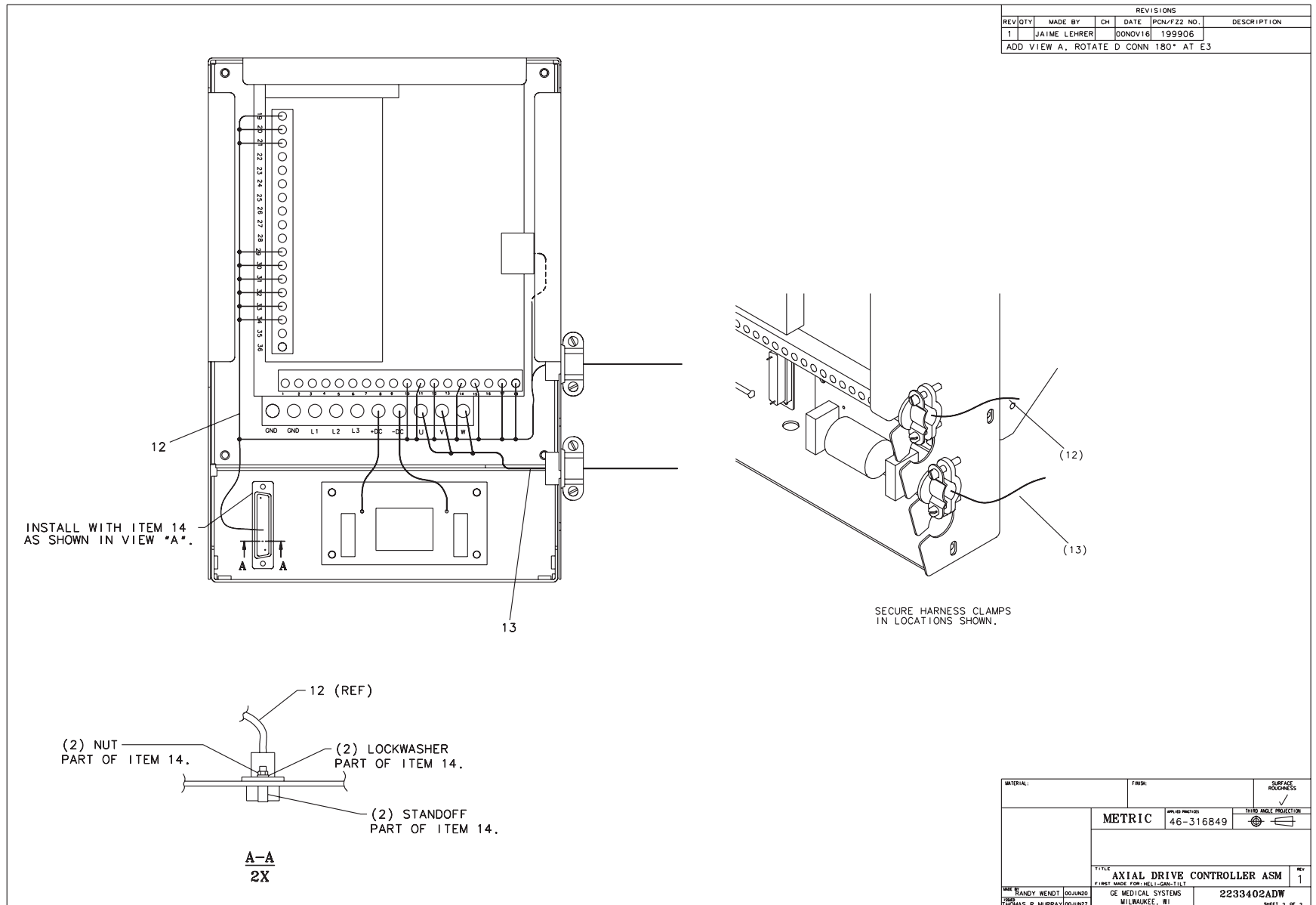


Figure 4-35 Axial Drive Controller Asm (2233402, sheet 2, rev 1)

MARK	NUMBER	QTY	FRU	DESCRIPTION/NAME
12	2271058	1.000	Yes	AXIAL DRIVE SIGNAL
13	2272980	1.000	Yes	AXIAL DRIVE TO MOTOR
14	46-221417P1	1.000	Yes	FEMALE SCREWLOCKS, TWO PER
1	2260732	1.000	No	H2 GANTRY AXIAL MOTOR DRIVE
2	2168593	1.000	No	HEMRC IF FILTER
3	2229623	2.000	No	BRKT,SUPPORT FOR AX MTR CONTROLLER
4	2249742	1.000	No	COVER,SIDE,AB MOTOR CONTROLLER
5	2249743	1.000	No	COVER,FRONT,AB MOTOR CONTROLLER
6	2249740	1.000	No	COVER, TOP,AB MOTOR CONTROLLER
7	46-170015P3	8.000	No	SCREW SEMS 8-32 X .312, E
8	46-328417P3	8.000	No	SCREW HEXAGON SOCKET 4 MM
9	46-328432P2	8.000	No	WASHER LOCK - SPRING 4.1 MM 7.6 MM
10	46-328430P2	8.000	No	WASHER PLAIN - NORMAL 4.3 MM 9 MM

Table 4-21 AX Drive Mtr Controller w/Corers Assy (2233402 BOM, rev 2)

This Page Intentionally Blank.

2.10 Encoder Assy w/Pivot (2328307)

FRU = YES

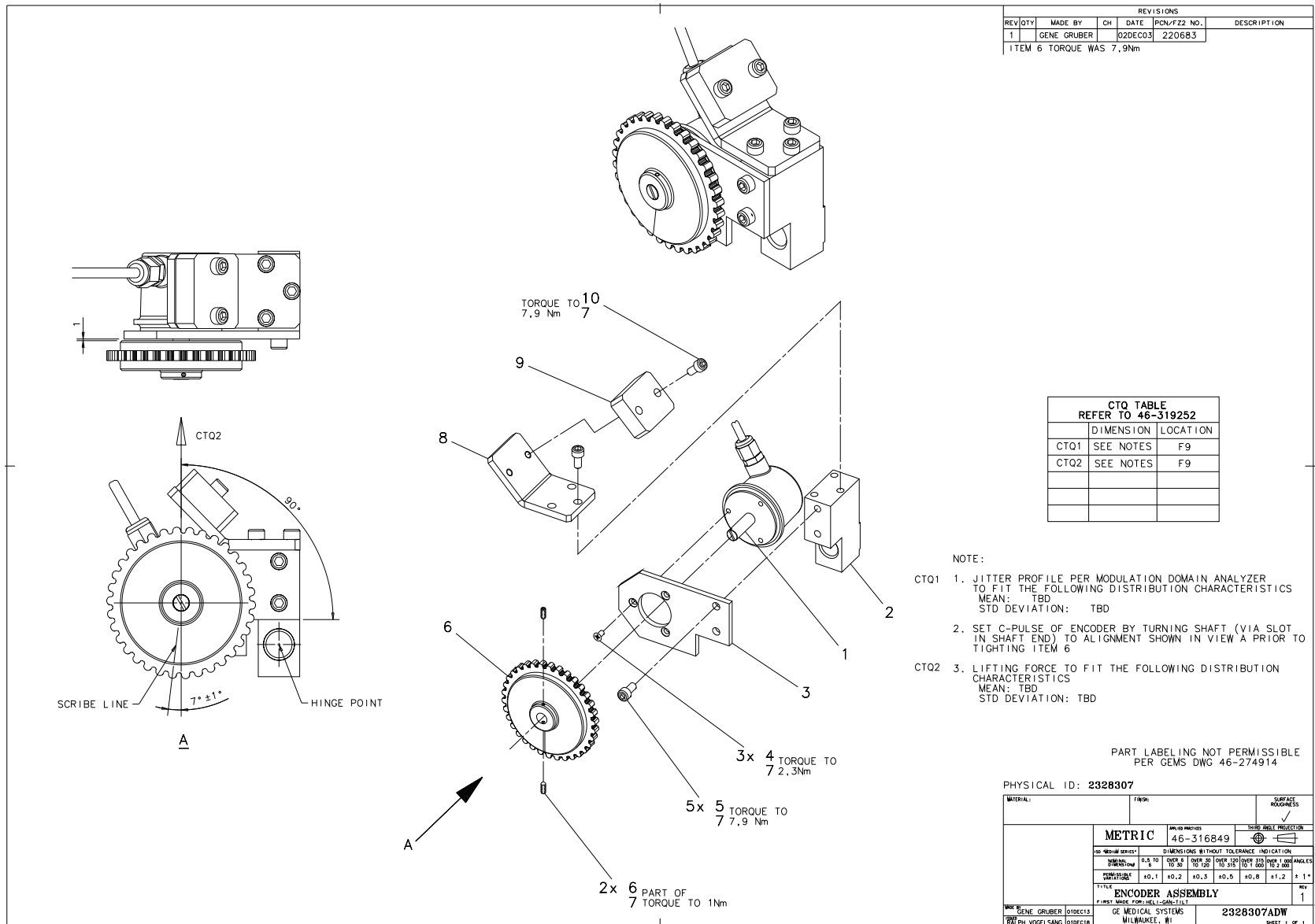


Figure 4-36 Encoder Assembly w/Pivot (2328307, sheet 1, rev 1)

MARK	NUMBER	QTY	FRU	DESCRIPTION/NAME
4	2103580	3.000	Yes	SCREW COUNTERSUNK HEA 4 MM
5	46-328417P12	5.000	Yes	SCREW HEXAGON SOCKET 6 MM
7	46-170686P3	AR	Yes	LOCTITE 242, 50CC
10	46-328417P15	2.000	Yes	SCREW HEXAGON SOCKET 6 MM
1	2276071	1.000	No	AXIAL ENCODER PIN
2	2328304	1.000	No	ENCODER BLOCK
3A	2276068	1.000	No	ENCODER PLATE
3B	2276068-2	ALT	No	ENCODER PLATE
6	2165139	1.000	No	HELIOS ENCODER GEAR, 34 TEETH, 90 MM
8A	2289804	1.000	No	CARRIER BRACKET H2 GANTRY
8B	2289804-2	ALT	No	CARRIER BRACKET H2 GANTRY
9A	2289802	1.000	No	WEIGHT BLOCK H2 GANTRY
9B	2289802-2	ALT	No	WEIGHT BLOCK H2 GANTRY

Table 4-22 Encoder Mount Assembly (2328307 BOM, rev 3

2.11 Brace Assembly, Upper (2273029)

FRU = NO

USED ON:
 2260617

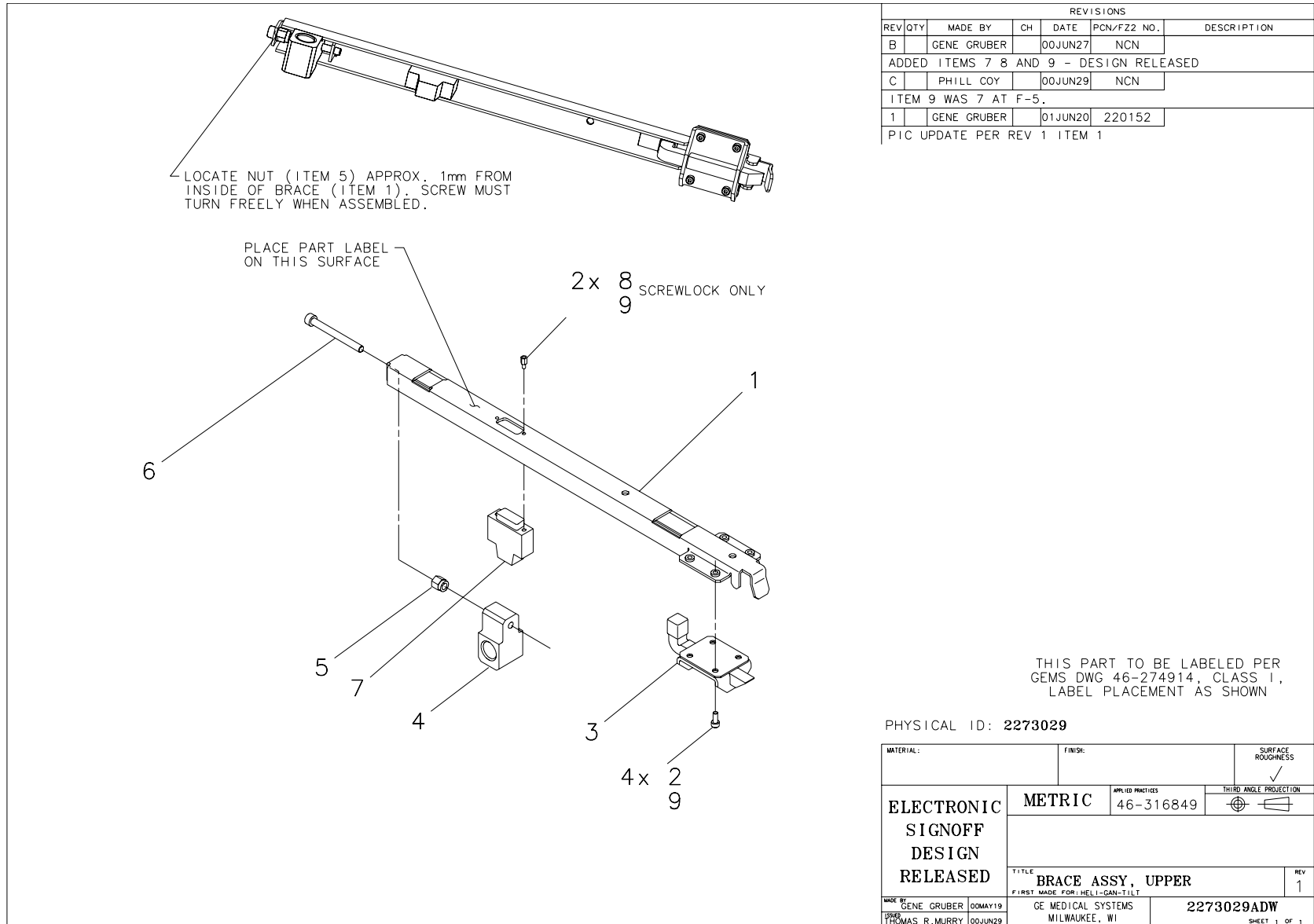


Figure 4-37 Brace Assembly, Upper (2273029, sheet 1, rev 1)

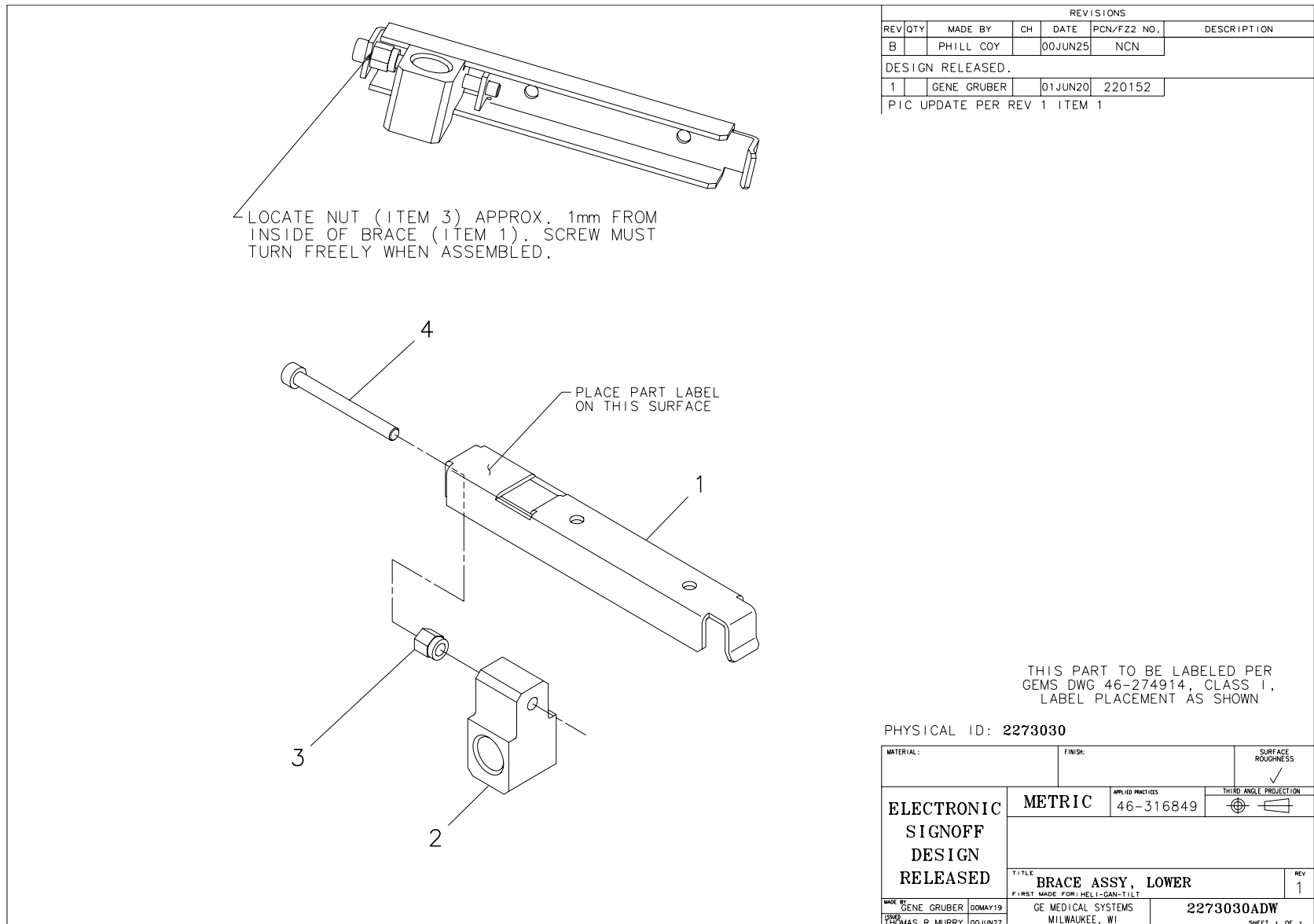
MARK	NUMBER	QTY	FRU	DESCRIPTION/NAME
1	2275162	1.000	No	U-BRACE, GANTRY COVERS - UPPER
2	46-328417P3	4.000	No	SCREW HEXAGON SOCKET 4 MM
3	2275369	1.000	No	LATCH, SLAM
4	2258072	1.000	No	H2 GANTRY COVER LATCH PIVOT
5	46-328428P2	1.000	No	NUT HEXAGON 6 MM
6	2277656	1.000	No	SCREW, HEX SOC CAP FULL LGTH THREAD
7	2275843	1.000	No	FRONT/REAR COVER TERMINATOR
8	46-221417P5	1.000	No	FEMALE SCREWLOCKS FOR HD
9	46-170686P3	AR	No	LOCTITE 242, 50CC

Table 4-23 Brace, Gantry Cover Upper (2273029 BOM, rev 0)

2.12 Brace Assembly, Lower (2273030)

FRU = NO

USED ON:
 2260617



THIS PART TO BE LABELED PER GEMS DWG 46-274914, CLASS 1, LABEL PLACEMENT AS SHOWN

PHYSICAL ID: 2273030

MATERIAL:		FINISH:		SURFACE ROUGHNESS		
ELECTRONIC SIGNOFF DESIGN RELEASED		METRIC		APPLIED PRACTICES 46-316849		
				THIRD ANGLE PROJECTION		
		TITLE BRACE ASSY, LOWER				REV 1
MADE BY GENE GRUBER 00MAY19		GE MEDICAL SYSTEMS MILWAUKEE, WI		2273030ADW		
DRAWN BY THOMAS R. MURRY 00JUN27				SHEET 1 OF 1		

Figure 4-38 Brace Assembly, Lower (2273030, sheet 1, rev 1)

MARK	NUMBER	QTY	FRU	DESCRIPTION/NAME
1	2258073	1.000	No	H2 GANTRY COVER CORNER BRACING
2	2258072	1.000	No	H2 GANTRY COVER LATCH PIVOT
3	46-328428P2	1.000	No	NUT HEXAGON 6 MM
4	2277656	1.000	No	SCREW, HEX SOC CAP FULL LGTH THREAD

Table 4-24 Brace, Gantry Cover Lower (2273030 BOM, rev 0)

Section 3.0 — H2 Rotating Base Assembly (2260618)

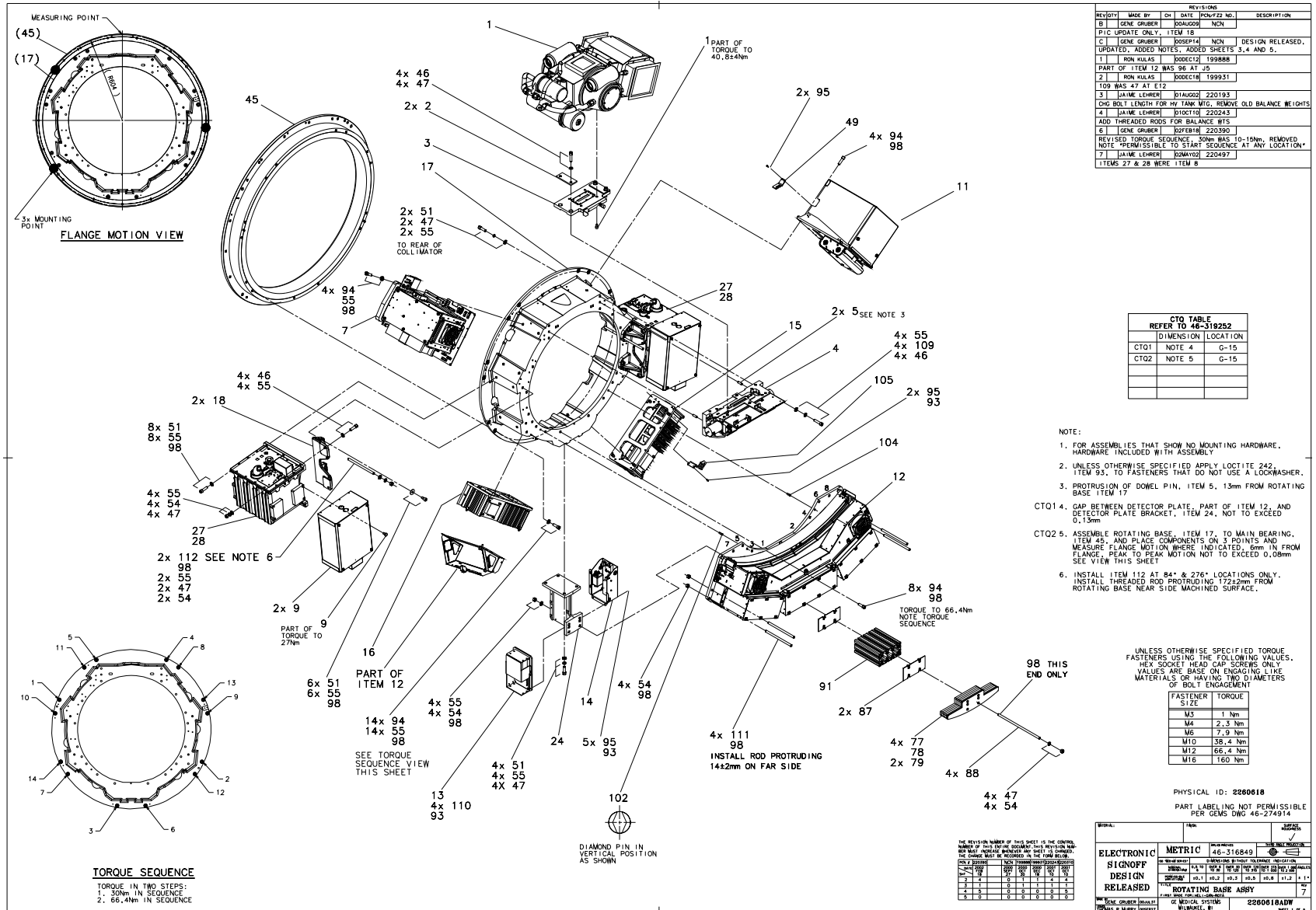


Figure 4-39 H2 Rotating Base Assembly (2260618, sheet 1, rev 7)

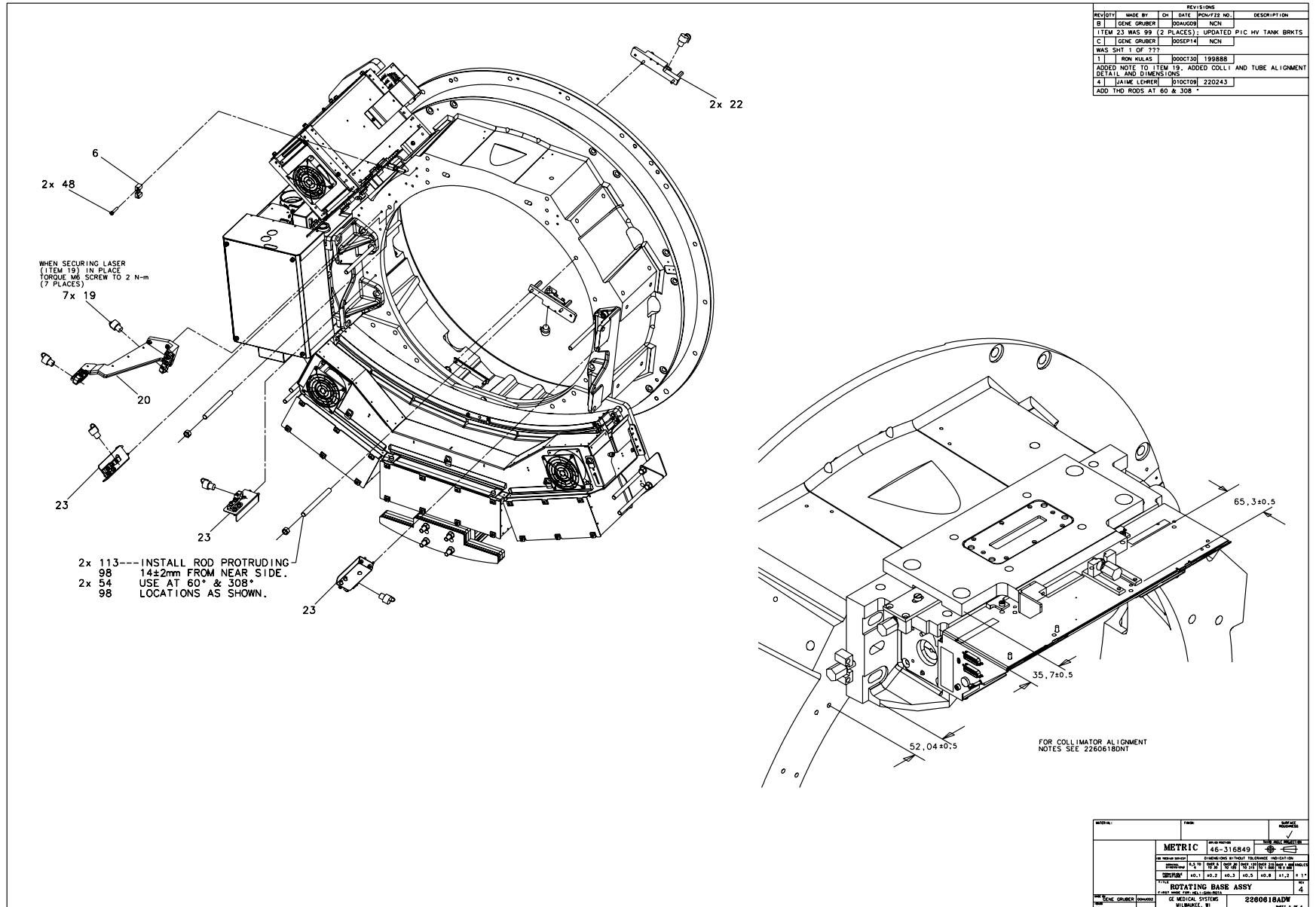


Figure 4-40 H2 Rotating Base Assembly (2260618, sheet 2, rev 4)

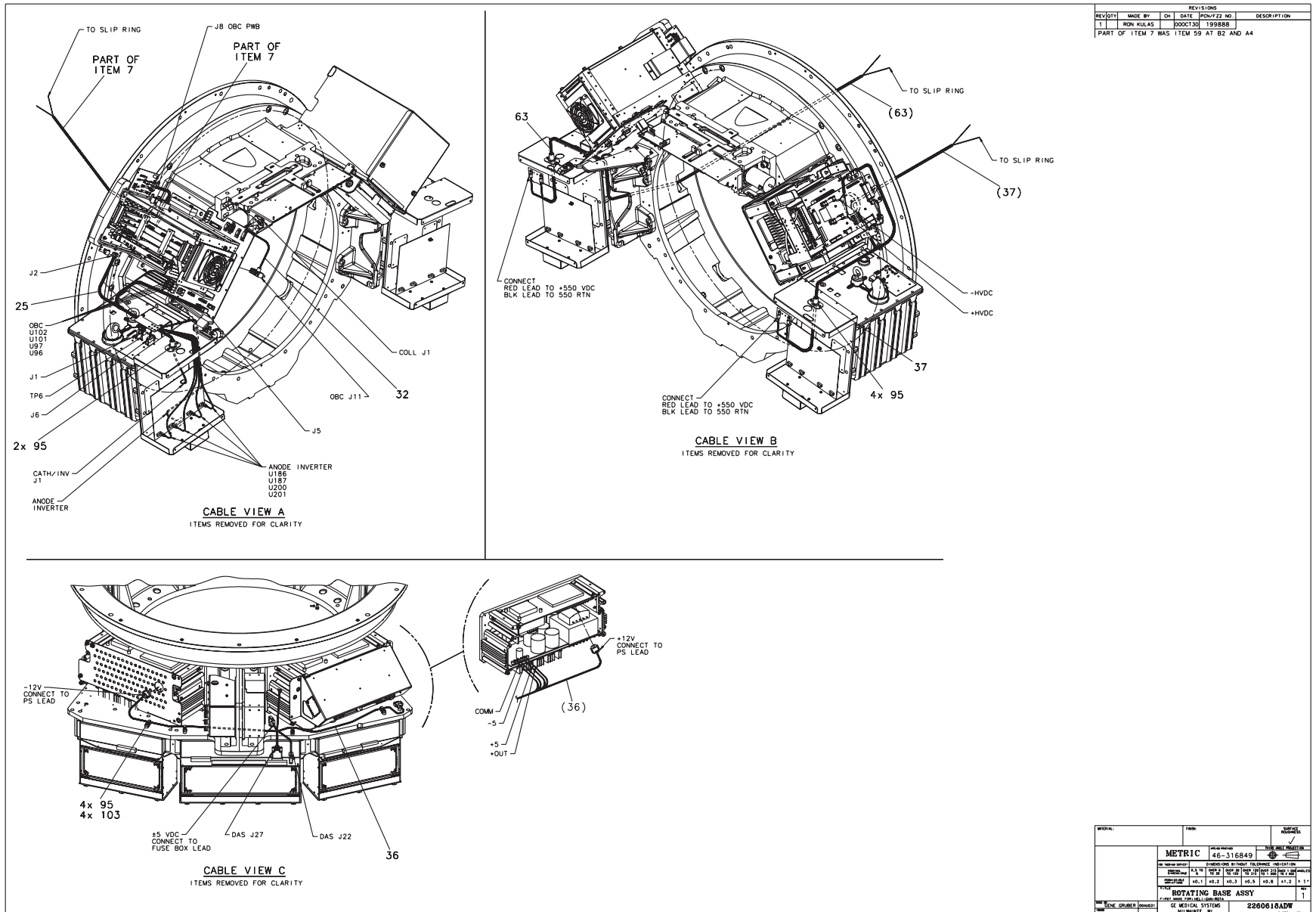


Figure 4-41 H2 Rotating Base Assembly (2260618, sheet 3, rev 1)

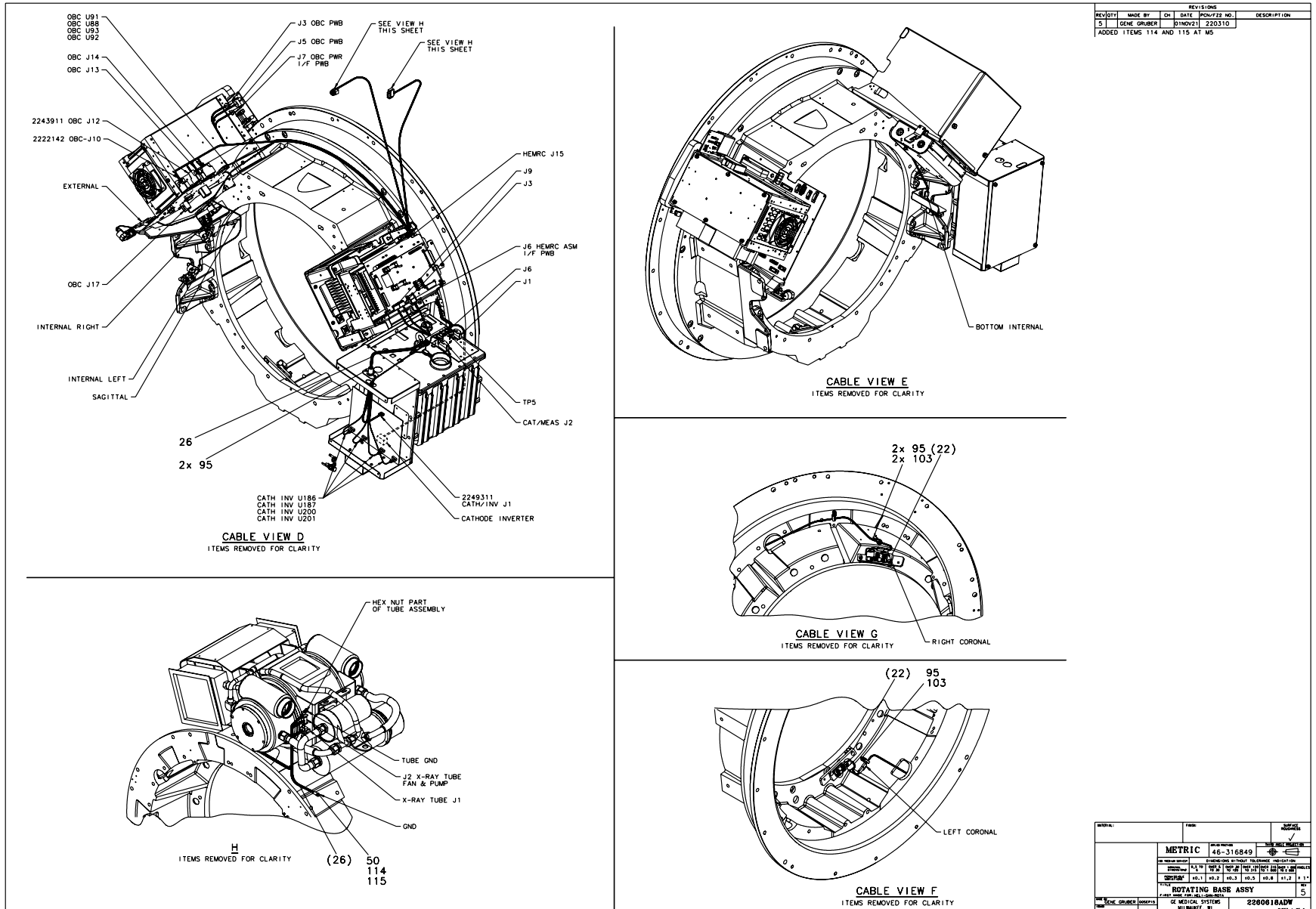


Figure 4-42 H2 Rotating Base Assembly (2260618, sheet 4, rev 5)

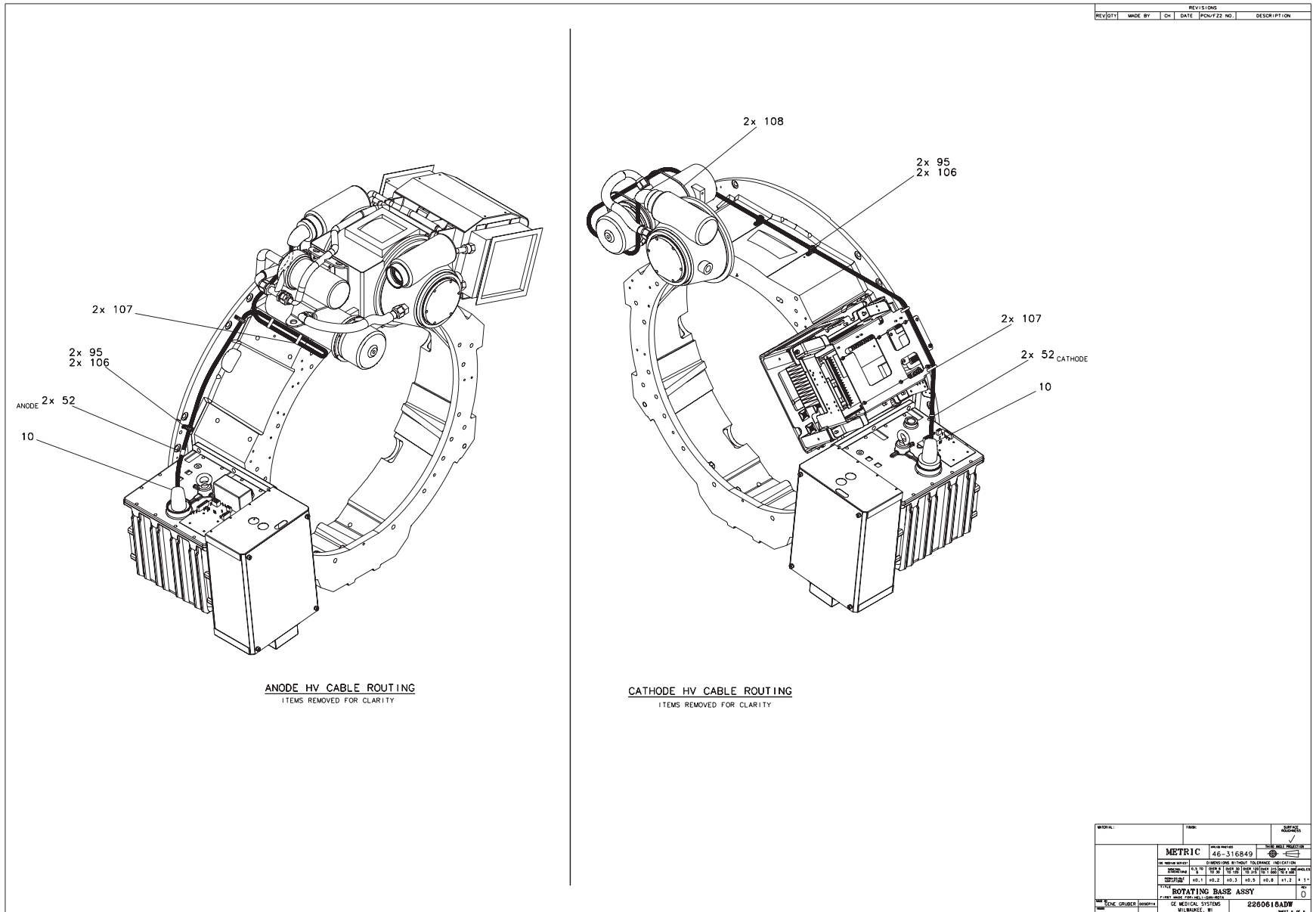


Figure 4-43 H2 Rotating Base Assembly (2260618, sheet 5, rev 0)

MARK	NUMBER	QTY	FRU	DESCRIPTION/NAME
1B	D3186T	1.000	Yes	PERFORMIX TUBE UNIT (RED)
4A	2214768-3	1.000	Yes	HELIOS 3 COLLIMATOR {For further detail, see Section 3.1 , beginning on page 248 .}
4B	2214768-2	ALT	Yes	HELIOS 2 COLLIMATOR {For further detail, see Section 3.2 , beginning on page 258 .}
9	2208852	2.000	Yes	HP INVERTER RHAPSODE
10	46-195120G21	2.000	Yes	HV CABLE 3/C - 3/PIN
13	2225214	1.000	Yes	POWER SUPPLY ASM CC CASE {For further detail, see Section 3.6 , beginning on page 296 .}
19	2105617-4	7.000	Yes	SINGLE, TERMINATED LASER DIODE AMP
25	2240779	1.000	Yes	ANODE INVERTER HARNESS {For further detail, see Section 3.10 , beginning on page 314 .}
26	2253952	1.000	Yes	CATHODE INV/OBC HARNESS/BRKT ASM {For further detail, see Section 3.11 , beginning on page 316 .}
27	2161306	1.000	Yes	0.5 SEC/REV CATHODE HV SU
28	2161307	1.000	Yes	CT HV TANK FAST HEMIT (+)
32	2245696	1.000	Yes	COLLIMATOR-J1 TO OBC-J11
36	2268392	1.000	Yes	DC-DAS POWER
37	2245364	1.000	Yes	HVDC S/R TO HERMC AND ANODE INV
63	2246944	1.000	Yes	HVDC,S/R TO ANODE INVERTER
106	46-208718P26	4.000	Yes	CLAMP
112	2276908-2	2.000	Yes	THREADED ROD, M12 - 318 L
113	2276908-4	2.000	Yes	THREADED ROD, M12 - 156 L
2	2120104	2.000	No	PRESSURE PLATE FOR MOUNTING TUBE
3	2128696	1.000	No	TUBE PLATE ASSY, HELIOS COLLIMATOR,
5	2121255-6	2.000	No	PINS
6	2148597-2	1.000	No	INTERPOSER ADJUSTOR BLOCK

Table 4-25 H2 Rotating Base Assembly (2260618 BOM, rev 15)

MARK	NUMBER	QTY	FRU	DESCRIPTION/NAME
7	2231831	1.000	No	HELIOS 2 OBC ASSEMBLY {For further detail, see Section 3.3 , beginning on page 264 .}
11	2208043	1.000	No	HIGH EFFIC. MTR CTRL ASM_ (TOP LEVEL) {For further detail, see Section 3.4 , beginning on page 270 .}
12	2227967	1.000	No	DETECTOR PLATE ASM_(H2) {For further detail, see Section 3.5 , beginning on page 276 .}
14	2226506	1.000	No	FUSE BOX SWITCH BOX ASM {For further detail, see Section 3.7 , beginning on page 298 .}
15	2225209	1.000	No	DAS POWER SUPPLY RIGHT SIDE {For further detail, see Section 3.8 , beginning on page 304 .}
16	2225209-2	1.000	No	DAS POWER SUPPLY LEFT SIDE {For further detail, see Section 3.9 , beginning on page 310 .}
17A	2168580-3	1.000	No	ROT BASE MACH FROM PERM M
17B	2168580	ALT	No	ROT BASE MACH FROM SAND C
18A	2179360	2.000	No	HIGH VOLTAGE TANK BRACKET
18B	2179360-3	ALT	No	HIGH VOLTAGE TANK BRACKET
20	2259991	1.000	No	SAGITAL-EXTERNAL
22	2229971	2.000	No	CORONAL LASER ASSEMBLY
23	2229774-2	3.000	No	INTERNAL LASER ASM H2
24A	2179089-2	1.000	No	BRKT-MACH DET PLATE TO RO
24B	2179089-5	ALT	No	BRKT-MACH DET PLATE TO RO
45	2168662	1.000	No	MAIN BEARING HELIOS 2 GENERIC
46	46-328417P67	8.000	No	SCREW HEXAGON SOCKET 12 M
47	46-328432P7	24.000	No	WASHER LOCK - SPRING 12.2
48	46-328417P16	2.000	No	SCREW HEXAGON SOCKET 6 MM
49	2260431	1.000	No	BRACKET, INDICATOR MOUNT
50	46-328417P12	1.000	No	SCREW HEXAGON SOCKET 6 MM 16 MM
51	46-328417P66	20.000	No	SCREW HEXAGON SOCKET 12 M
52	46-208781P3	4.000	No	WRITE-ON LABEL FOR MARKING CABLES,

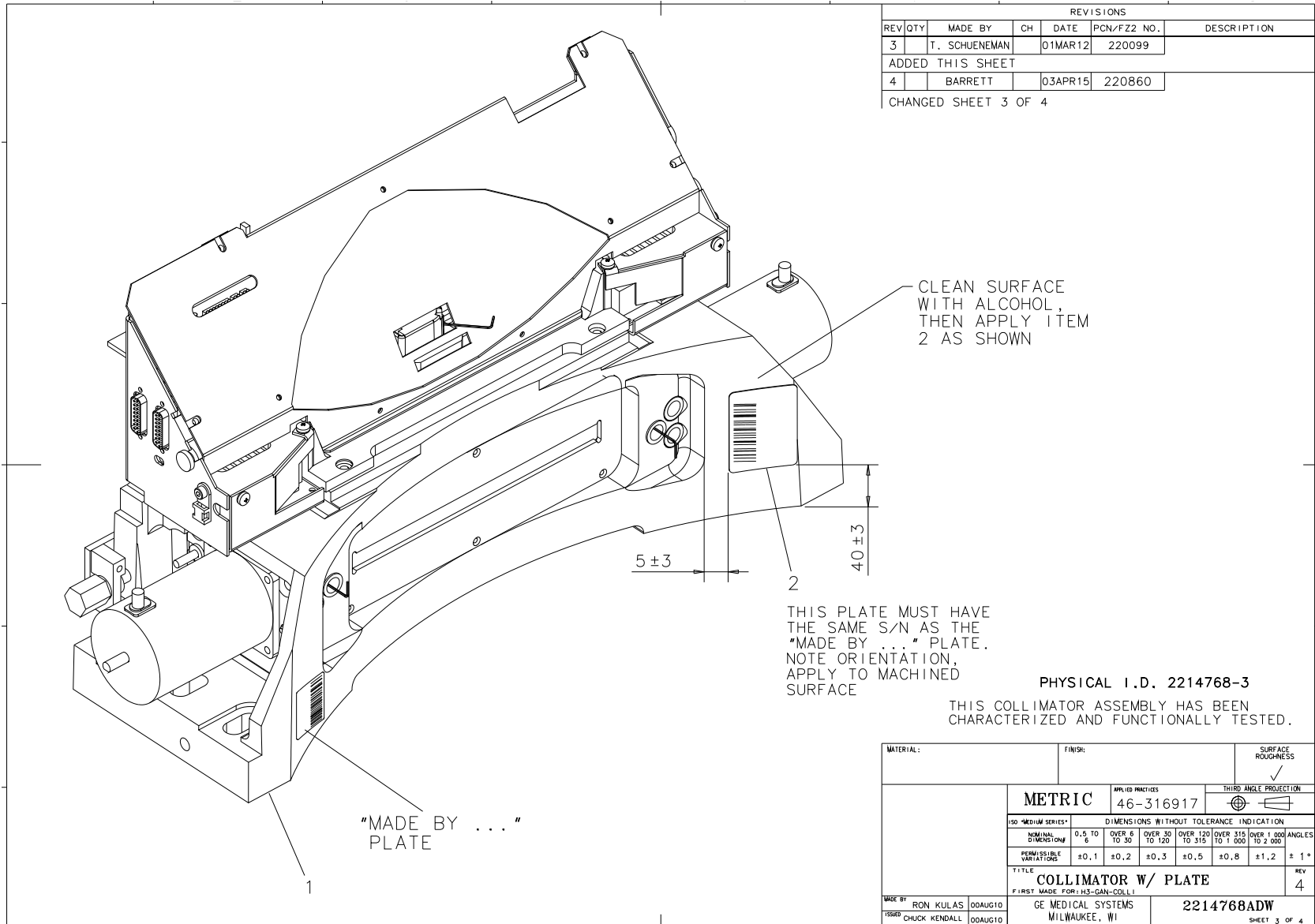
Table 4-25 H2 Rotating Base Assembly (2260618 BOM, rev 15) (Continued)

MARK	NUMBER	QTY	FRU	DESCRIPTION/NAME
54	46-328425P13	24.000	No	NUT HEXAGON 12 MM
55	2236649-5	56.000	No	WASHER SPECIAL FLAT 13 MM
77	2272467	4.000	No	H2 STEEL COUNTER WEIGHT
78	2272467-2	1.000	No	H2 STEEL COUNTER WEIGHT - 1/4 THICK
79	2272467-3	2.000	No	H2 STEEL COUNTER WEIGHT - 1/8 THICK
87	2276685	2.000	No	PLATE, THREADED ROD LOCATING
88	2276908	4.000	No	THREADED ROD, M12
91	2276748	1.000	No	CHANNEL, COUNTERWEIGHT
93	46-170686P3	AR	No	LOCTITE 242, 50CC
94	46-328417P65	22.000	No	SCREW HEXAGON SOCKET 12 M
95	46-328417P4	28.000	No	SCREW HEXAGON SOCKET 4 MM
98	46-170684P3	AR	No	LOCTITE 271, 50ML BOTTLE
102	2121255-5	1.000	No	PINS
103	46-208759P1	7.000	No	7.81" X .184" SELF-LOCKING
104	2121255-4	1.000	No	PINS
105	2276070	1.000	No	DAS FANS/DET, BULK HEAD B
107	46-208758P3	4.000	No	7.31" X .184" SELF-LOCKIN
108	46-208758P5	2.000	No	SELF LOCKING CABLE TIE
109	2287286	4.000	No	SCREW HEXAGON SOCKET 12 M
110	46-328417P5	4.000	No	SCREW HEXAGON SOCKET 4 MM
111	2276908-3	4.000	No	THREADED ROD, M12 - 211 L
114	2236649-2	1.000	No	WASHER SPECIAL FLAT 6,4 M
115	46-328432P3	1.000	No	WASHER LOCK - SPRING 6.1

Table 4-25 H2 Rotating Base Assembly (2260618 BOM, rev 15) (Continued)

3.1 Collimator - H3 (2214768-3)

FRU = YES



REVISIONS						
REV	QTY	MADE BY	CH	DATE	PCN/FZZ NO.	DESCRIPTION
3		T. SCHUENEMAN		01MAR12	220099	
ADDED THIS SHEET						
4		BARRETT		03APR15	220860	
CHANGED SHEET 3 OF 4						

CLEAN SURFACE WITH ALCOHOL, THEN APPLY ITEM 2 AS SHOWN

THIS PLATE MUST HAVE THE SAME S/N AS THE "MADE BY ..." PLATE. NOTE ORIENTATION, APPLY TO MACHINED SURFACE

PHYSICAL I.D. 2214768-3

THIS COLLIMATOR ASSEMBLY HAS BEEN CHARACTERIZED AND FUNCTIONALLY TESTED.

MATERIAL:		FINISH:		SURFACE ROUGHNESS		
				✓		
METRIC		APPLIED PRACTICES		THIRD ANGLE PROJECTION		
		46-316917				
ISO "MEDIUM SERIES"		DIMENSIONS WITHOUT TOLERANCE INDICATION				
NOMINAL DIMENSIONS		0.5 TO 6	OVER 6 TO 30	OVER 30 TO 120	OVER 120 TO 315	OVER 315 TO 1 000
PERMISSIBLE VARIATIONS		±0,1	±0,2	±0,3	±0,5	±0,8
TITLE		COLLIMATOR W/ PLATE				
FIRST MADE FOR:		H3-GAN-COLL				
MADE BY		ISSUED		REV		
RON KULAS 00AUG10		CHUCK KENDALL 00AUG10		4		
		GE MEDICAL SYSTEMS MILWAUKEE, WI		2214768ADW		
				SHEET 3 OF 4		

Figure 4-44 Collimator (2214768, sheet 3, rev 4)

MARK	NUMBER	QTY	FRU	DESCRIPTION/NAME
A/L	2339299	n/a	Yes	COLLIMATOR CLEANING KIT
1	2120100-3	1.000	No	HELIOS 3 COLLIMATOR {For further detail, see Section 3.1.1 , beginning on page 250 .}
2	46-302200P7	1.000	No	SERIAL #, MODEL#

Table 4-26 Collimator (2214768-3 BOM, rev 0)

3.1.1 Collimator - H3 (2120100-3)

FRU = NO

USED ON:
2214768-3

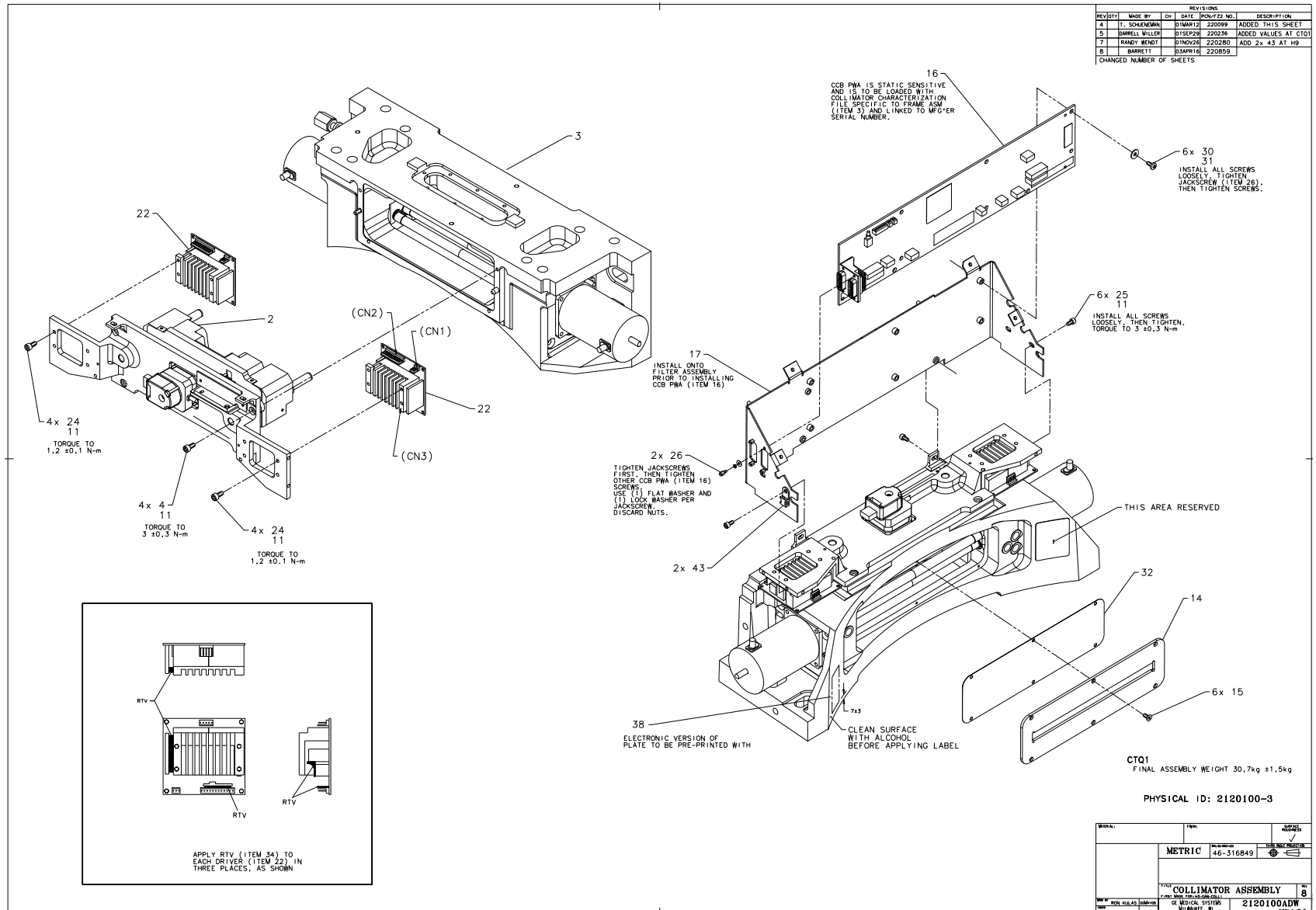


Figure 4-45 Collimator (2120100, sheet 5, rev 8)

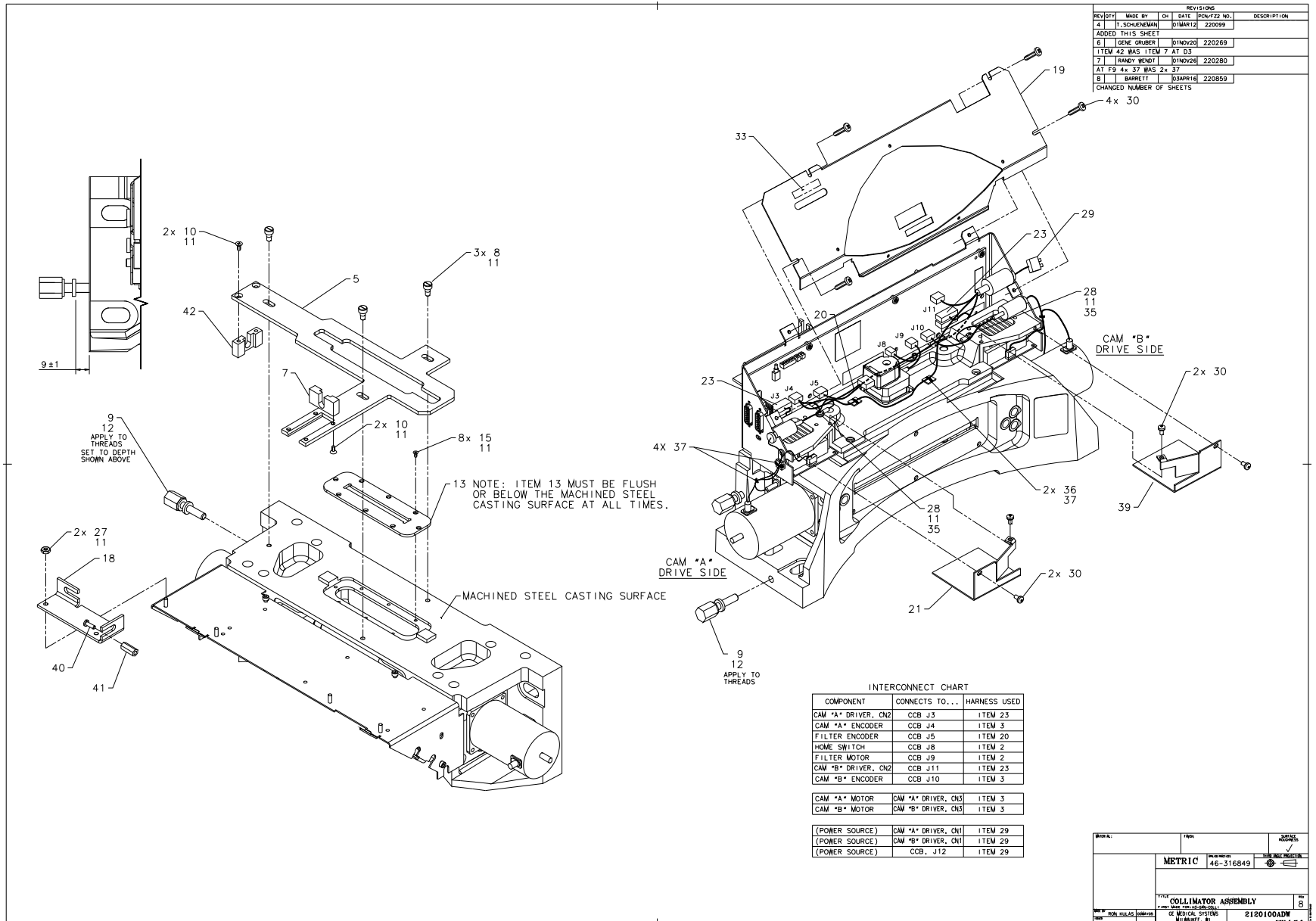


Figure 4-46 Collimator (2120100, sheet 6, rev 8)

MARK	NUMBER	QTY	FRU	DESCRIPTION/NAME
2	2291958	1.000	Yes	FILTER ASSEMBLY, HELIOS 3
5	2243925	1.000	Yes	INTERPOSER PLATE FOR H3 C
8	46-313583P3	3.000	Yes	M5 X 0.8 5.987 SHLDR DIA
9	2120094	2.000	Yes	COLLIMATOR ADJUSTING SCREW
13	2120111	1.000	Yes	PRIMARY APERTURE - LEAD
14	2120115	1.000	Yes	SECONDARY APERTURE - LEAD
15	46-328422P4	14.000	Yes	SCREW COUNTERSUNK HEA 2.5
16	2159578-2	1.000	Yes	COLLIMATOR,CCB PWA
17	2286437	1.000	Yes	PWB MOUNTING COLLIMATOR
18	2174489	1.000	Yes	DIAL INDICATOR MNTS FOR T
19	2286438	1.000	Yes	MAIN INTERFACE PWB COVER
20	2126849	1.000	Yes	FILTER ENCODER TO CCB
21	2286431	1.000	Yes	DRIVER COLLIMATOR LEFT
22	2125453-3	2.000	Yes	HELIOS COLLIMATOR, CAM MO
23	2125241	2.000	Yes	CAM MOTOR DRIVER TO CCB
29	2211929	1.000	Yes	POWER HARNESS
30	2103585	14.000	Yes	SCREW PAN HEAD 4 MM 8 MM
31	46-328430P2	6.000	Yes	WASHER PLAIN - NORMAL 4.3
32	2214248	1.000	Yes	HELIOS COLLIMATOR OUTPUT
36	46-208747P1	2.000	Yes	CABLE TIE,ADH.BACKED
37	46-208758P1	6.000	Yes	3.62" X .094" CABLE TIE
39	2286431-2	1.000	Yes	DRIVER COLLI RIGHT
42	2148597-3	1.000	Yes	ADJUSTER BLOCK TAP'D THRU
3	2273645-2	1.000	No	COLLIMATOR BASE ASSEMBLY {For further detail, see Section 3.1.1.1 , beginning on page 254 .}
4	46-328417P4	4.000	No	SCREW HEXAGON SOCKET 4 MM
7	2148597	1.000	No	INTERPOSER ADJUSTOR BLOCK

Table 4-27 Collimator (2120100-3 BOM, rev 5)

MARK	NUMBER	QTY	FRU	DESCRIPTION/NAME
10	2103580-3	4.000	No	SCREW COUNTERSUNK HEA 4 M
11	46-170686P2	AR	No	LOCTITE 242, 10CC
12	46-170623P2	AR	No	BLACK, HEAVY-DUTY LUBRICA
24	46-312577P5	8.000	No	SCREW
25	46-328417P2	6.000	No	SCREW HEXAGON SOCKET 4 MM
26	46-221417P1	2.000	No	FEMALE SCREWLOCKS, TWO PE
27	46-328425P1	2.000	No	NUT HEXAGON 4 MM
28	46-328421P4	2.000	No	SCREW PAN HEAD 2.5 MM 6 MM
33	2214773	1.000	No	CCB LED LABEL, HELIOS COLLIMATOR
34	46-170137P1	AR	No	RTV-162 NON-CORROSIVE ADHESIVE
35	46-328434P1	2.000	No	WASHER LOCK - INTERNAL 2.7
38	46-302200P6	1.000	No	MFG FOR GE BY __ MADE IN
40	46-198393G1	1.000	No	SCREW
41	46-198395P1	1.000	No	HEX STANDOFF/NUT
43	46-208750P1	2.000	No	CABLE TIE ANCHOR

Table 4-27 Collimator (2120100-3 BOM, rev 5) (Continued)

3.1.1.1 Collimator Base Asm (2273645, -2)

FRU = NO

USED ON:
 2120100-3

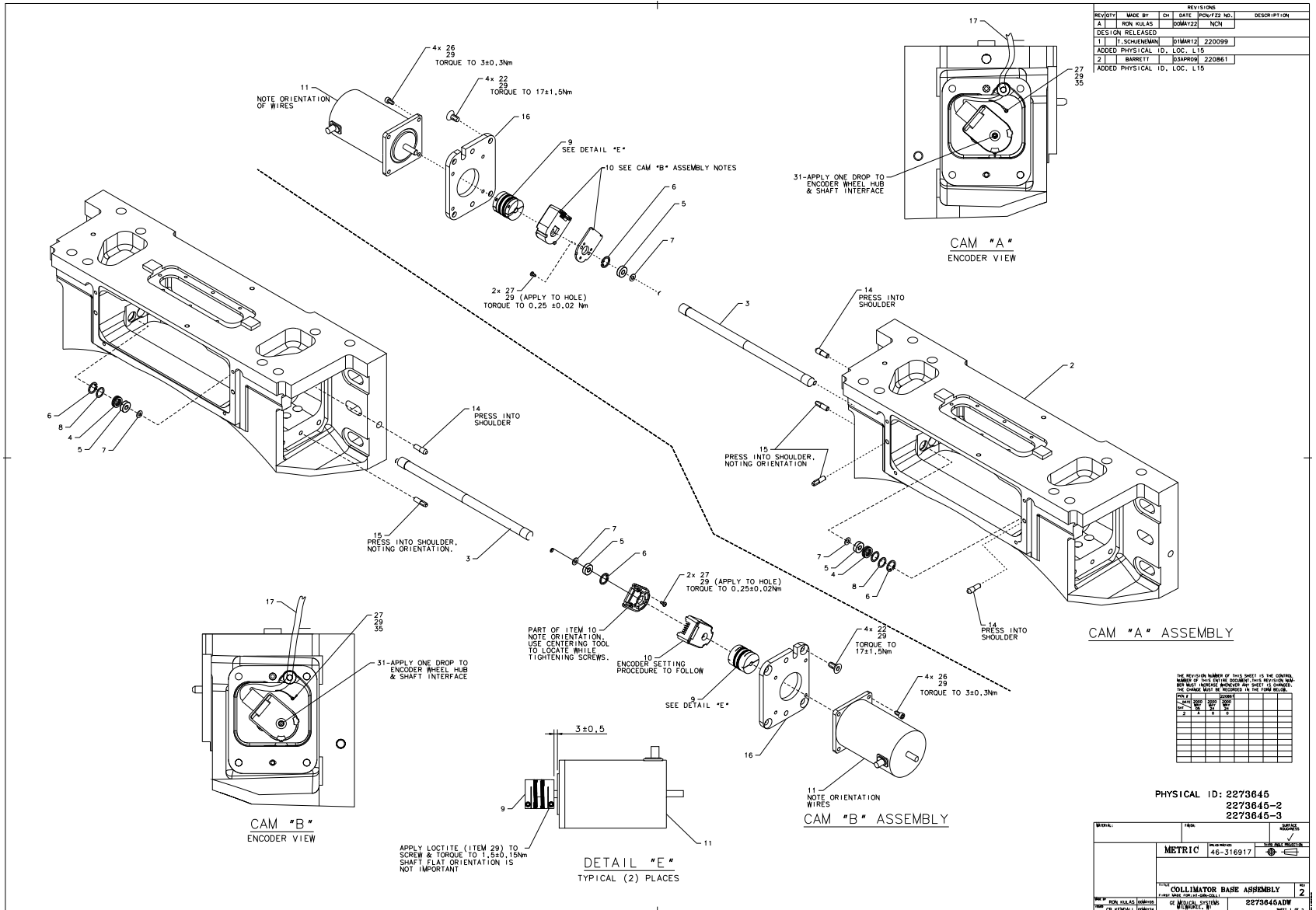


Figure 4-47 Collimator Base Asm (2273645, sheet 1, rev 2)

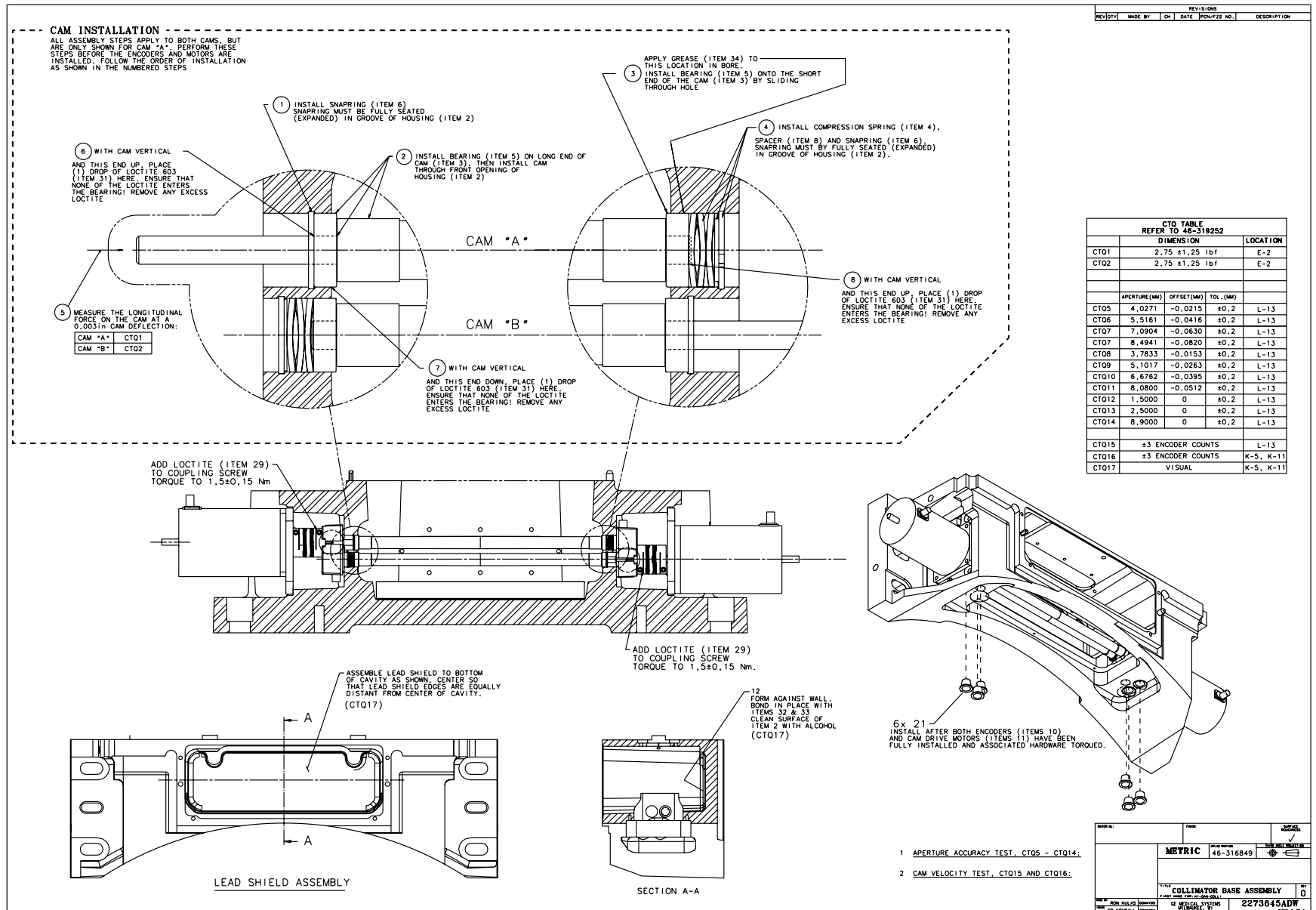


Figure 4-48 Collimator Base Asm (2273645, sheet 2, rev 0)

MARK	NUMBER	QTY	FRU	DESCRIPTION/NAME
3	2288062	2.000	Yes	ROTATING APERTURE H3
9	46-296259P6	2.000	Yes	ROCOM COUPLING_BORES 5 MM
11	2125453-2	2.000	Yes	HELIOS COLLIMATOR, CAM MO
17	2125242	2.000	Yes	CAM ENCODER TO CCB
21	46-230644P10	6.000	Yes	CAP/PLUG
32	46-170918P1	AR	Yes	EPOXY, GENERAL PURPOSE, T
2	2243931	1.000	No	COLLIMATOR FRAME MACHININ
4	2251260	2.000	No	SPRING COMPRESSION 8.255
5	46-136282P98	4.000	No	BEARING
6	46-296462P8	4.000	No	DIN REF. 472-13 X 1
7	1000904P534	4.000	No	.310 OD .206 ID .005 THIC
8	1000904P535	2.000	No	.498 OD .378 ID .020 THIC
10	2125243	2.000	No	OPTICAL, 500 LINE, 5MM SH
12	2188215	1.000	No	LEAD SHIELD IN BOTTOM OF
14	2121255	3.000	No	PINS
15	2121255-2	3.000	No	PINS
16	2119358	2.000	No	APERTURE MOTOR MOUNT MACH
22	2103580-12	8.000	No	SCREW COUNTERSUNK HEA 6 M
26	46-328417P3	8.000	No	SCREW HEXAGON SOCKET 4 MM
27	46-328421P4	6.000	No	SCREW PAN HEAD 2.5 MM 6 M
29	46-170686P2	AR	No	LOCTITE 242, 10CC
31	46-214932P6	AR	No	LOCTITE 603
33	46-170918P2	AR	No	GENERAL PURPOSE, TWO PA
34	46-170623P2	AR	No	BLACK, HEAVY-DUTY LUBRICA
35	46-328434P1	2.000	No	WASHER LOCK - INTERNAL 2.

Table 4-28 Collimator Base Asm (2273645-2 BOM, rev 3)

MARK	NUMBER	QTY	FRU	DESCRIPTION/NAME
3	2119268	2.000	Yes	ROTATING APERTURE
9	46-296259P6	2.000	Yes	ROCOM COUPLING_BORES 5 MM
11	2125453-2	2.000	Yes	HELIOS COLLIMATOR, CAM MO
17	2125242	2.000	Yes	CAM ENCODER TO CCB
21	46-230644P10	6.000	Yes	CAP/PLUG
26	46-328417P3	8.000	Yes	SCREW HEXAGON SOCKET 4 MM
2	2243931	1.000	No	COLLIMATOR FRAME MACHININ
4	2251260	2.000	No	SPRING COMPRESSION 8.255
5	46-136282P98	4.000	No	BEARING
6	46-296462P8	4.000	No	DIN REF. 472-13 X 1
7	1000904P534	4.000	No	.310 OD .206 ID .005 THIC
8	1000904P535	2.000	No	.498 OD .378 ID .020 THIC
10	2125243	2.000	No	OPTICAL, 500 LINE, 5MM SH
12	2188215	1.000	No	LEAD SHIELD IN BOTTOM OF
14	2121255	3.000	No	PINS
15	2121255-2	3.000	No	PINS
16	2119358	2.000	No	APERTURE MOTOR MOUNT MACH
22	2103580-12	8.000	No	SCREW COUNTERSUNK HEA 6 M
27	46-328421P4	6.000	No	SCREW PAN HEAD 2.5 MM 6 M
29	46-170686P2	AR	No	LOCTITE 242, 10CC
31	46-214932P6	AR	No	LOCTITE 603
32	46-170918P1	AR	No	EPOXY, GENERAL PURPOSE, T
33	46-170918P2	AR	No	GENERAL PURPOSE, TWO PA
34	46-170623P2	AR	No	BLACK, HEAVY-DUTY LUBRICA
35	46-328434P1	2.000	No	WASHER LOCK - INTERNAL 2.

Table 4-29 Collimator Base Asm (2273645 BOM, rev 2)

3.2 Collimator - H2 (2214768-2)

FRU = YES

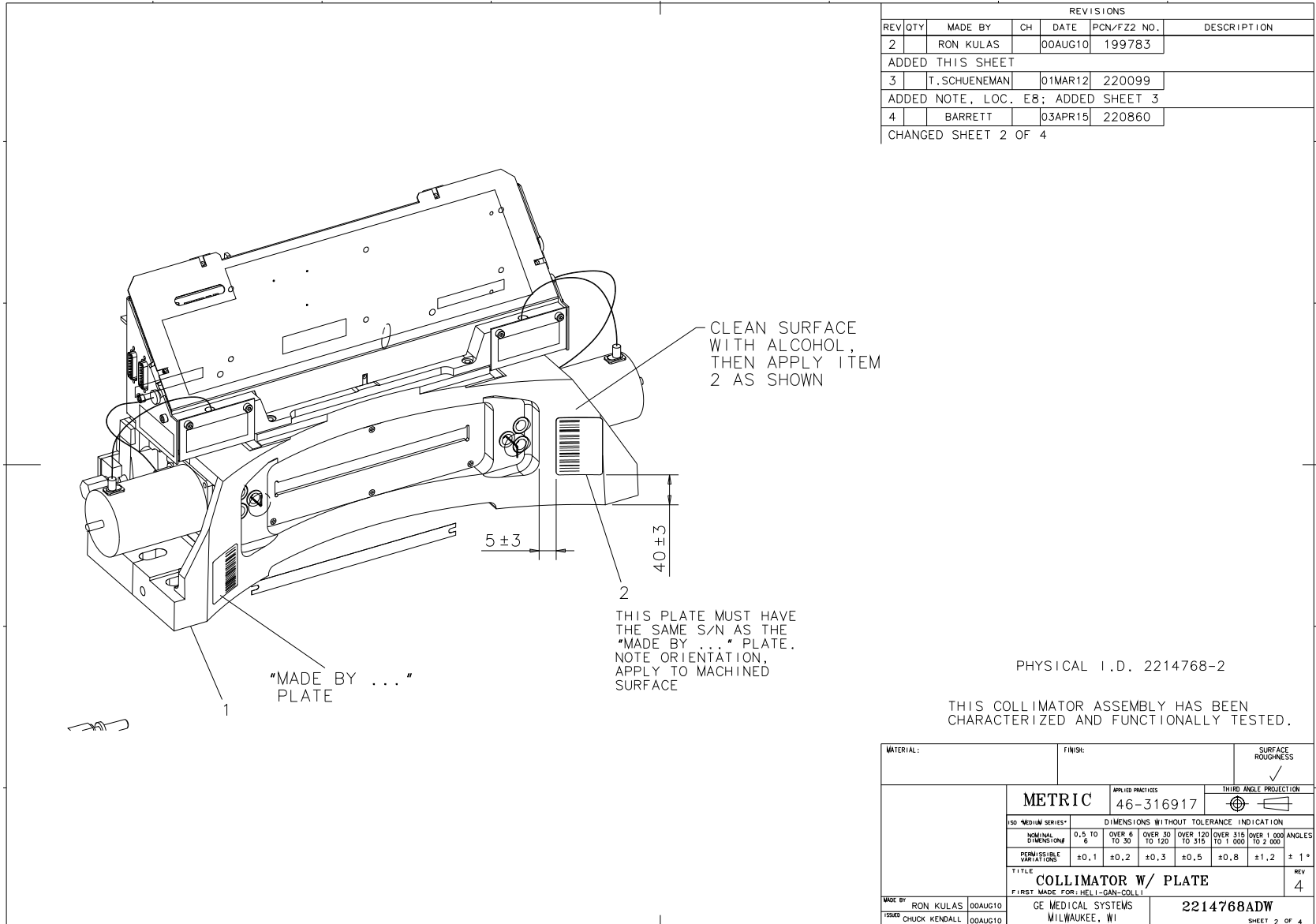


Figure 4-49 Collimator (2214768, sheet 2, rev 4)

MARK	NUMBER	QTY	FRU	DESCRIPTION/NAME
AIL	2339299	—	Yes	COLLIMATOR CLEANING KIT
1	2120100-2	1.000	No	HELIOS 2 COLLIMATOR {For further detail, see Section 3.2.1 , beginning on page 260.}
2	46-302200P7	1.000	No	SERIAL #, MODEL#

Table 4-30 Collimator (2214768-2 BOM, rev 0)

3.2.1 Collimator - H2 (2120100-2)

FRU = NO

USED ON:
2214768-2

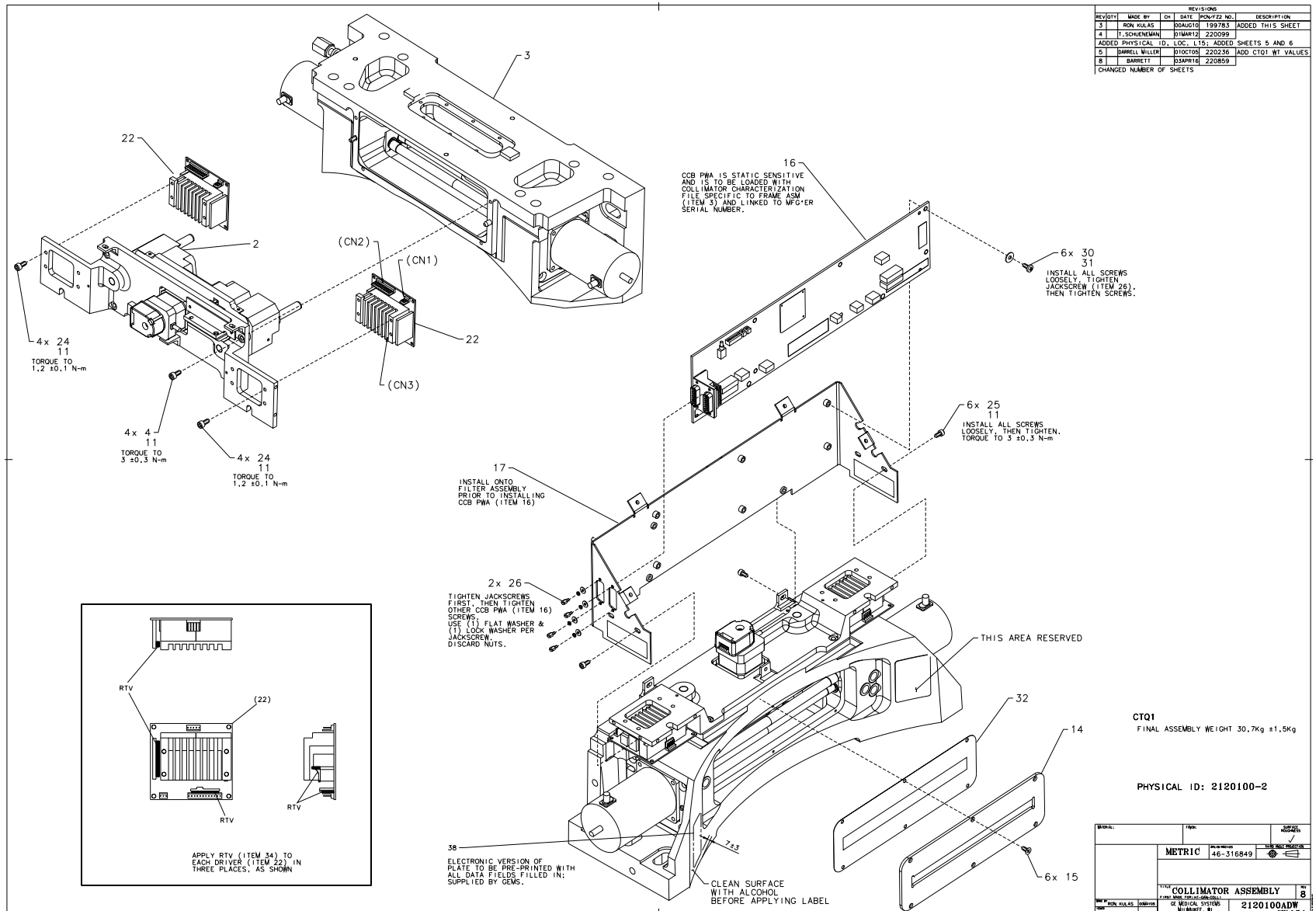


Figure 4-50 Collimator (2120100, sheet 3, rev 8)

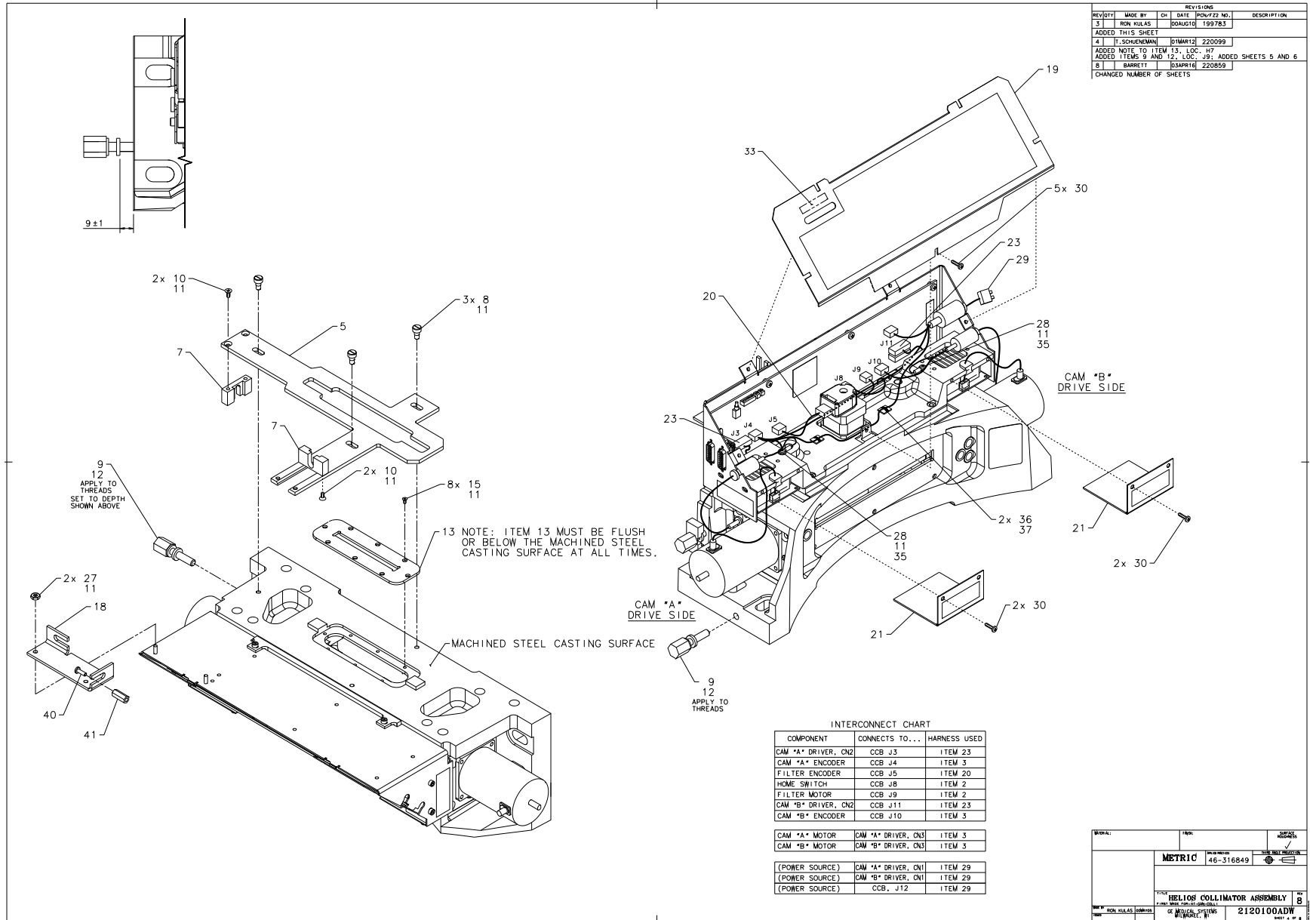


Figure 4-51 Collimator (2120100, sheet 4, rev 8)

MARK	NUMBER	QTY	FRU	DESCRIPTION/NAME
2	2126674	1.000	Yes	FILTER ASSEMBLY, HELIOS C
4	46-328417P4	4.000	Yes	SCREW HEXAGON SOCKET 4 MM
5	2243925	1.000	Yes	INTERPOSER PLATE FOR H3 C
8	46-313583P3	3.000	Yes	M5 X 0.8 5.987 SHLDR DIA
9	2120094	1.000	Yes	COLLIMATOR ADJUSTING SCRE
13	2120111	1.000	Yes	PRIMARY APERTURE - LEAD
14	2120115	1.000	Yes	SECONDARY APERTURE - LEAD
15	46-328422P4	14.000	Yes	SCREW COUNTERSUNK HEA 2.5
16	2159578	1.000	Yes	COLLIMATOR,CCB PWA
18	2174489	1.000	Yes	DIAL INDICATOR MNTS FOR T
19	2120107	1.000	Yes	MAIN INTERFACE PWB COVER
20	2126849	1.000	Yes	FILTER ENCODER TO CCB
21	2273646	2.000	Yes	H2 DRIVER COVER
22	2125453-3	2.000	Yes	HELIOS COLLIMATOR, CAM MO
23	2125241	2.000	Yes	CAM MOTOR DRIVER TO CCB
24	46-312577P5	8.000	Yes	SCREW
25	46-328417P2	6.000	Yes	SCREW HEXAGON SOCKET 4 MM
26	46-221417P1	2.000	Yes	FEMALE SCREWLOCKS, TWO PE
29	2211929	1.000	Yes	POWER HARNESS
30	2103585	15.000	Yes	SCREW PAN HEAD 4 MM 8 MM
31	46-328430P2	6.000	Yes	WASHER PLAIN - NORMAL 4.3
32	2214248	1.000	Yes	HELIOS COLLIMATOR OUTPUT
35	46-328434P1	2.000	Yes	WASHER LOCK - INTERNAL 2.
36	46-208747P1	2.000	Yes	CABLE TIE,ADH.BACKED
37	46-208758P1	2.000	Yes	3.62" X .094" CABLE TIE
42	2148597-3	1.000	Yes	ADJUSTER BLOCK TAP'D THRU

Table 4-31 Collimator (2120100-2 BOM, rev 4)

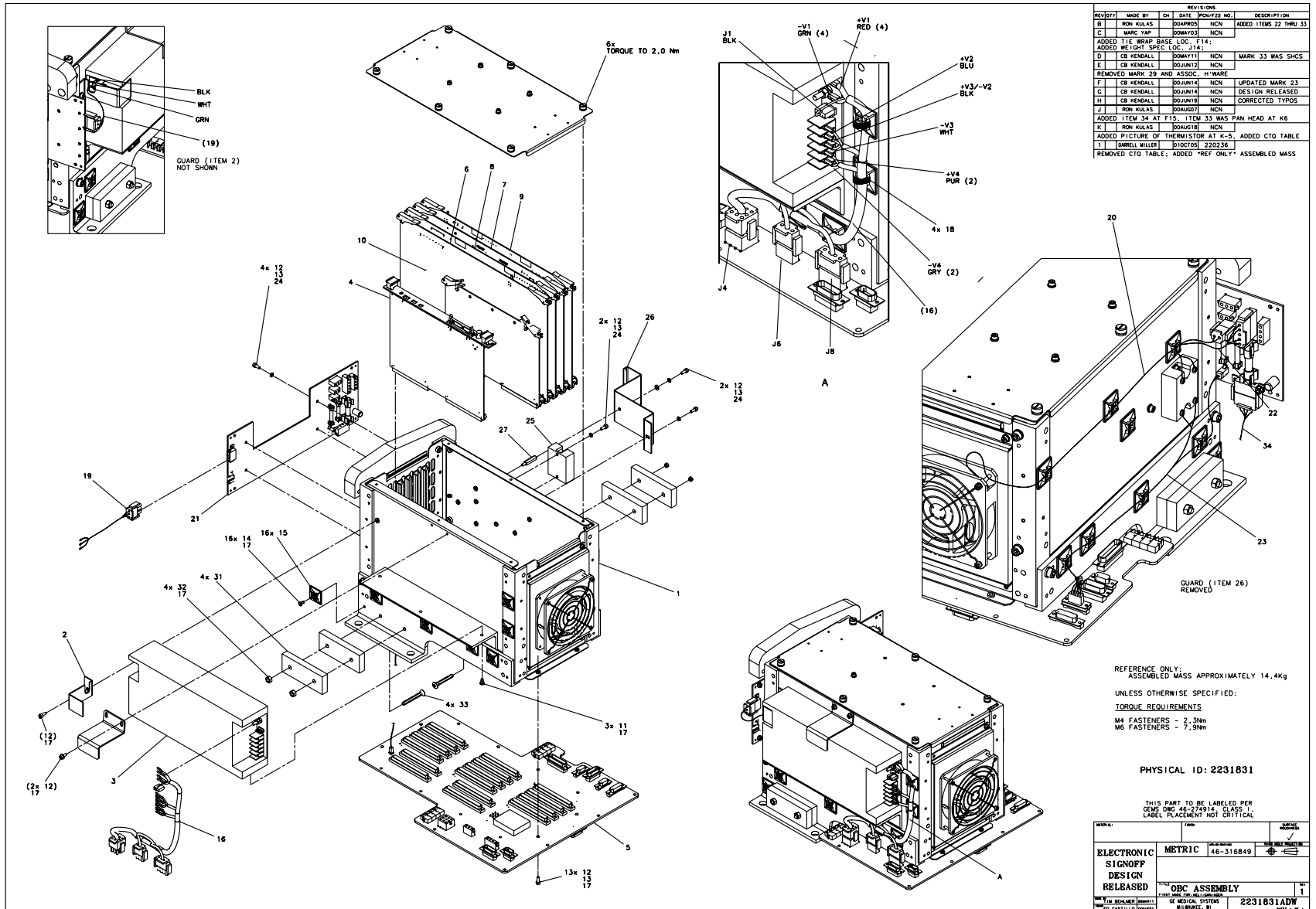
MARK	NUMBER	QTY	FRU	DESCRIPTION/NAME
3	2273645	1.000	No	H2 COLLIMATOR BASE ASM {For further detail, see Section 3.1.1.1 , beginning on page 254.}
7	2148597	1.000	No	INTERPOSER ADJUSTOR BLOCK
10	2103580-3	4.000	No	SCREW COUNTERSUNK HEA 4 M
11	46-170686P2	AR	No	LOCTITE 242, 10CC
12	46-170623P2	AR	No	BLACK, HEAVY-DUTY LUBRICA
17	2273643	1.000	No	H2 PWB MOUNT
27	46-328425P1	2.000	No	NUT HEXAGON 4 MM
28	46-328421P4	2.000	No	SCREW PAN HEAD 2.5 MM 6 M
33	2214773	1.000	No	CCB LED LABEL, HELIOS COL
34	46-170137P1	AR	No	RTV-162 NON-CORROSIVE A
38	46-302200P6	1.000	No	MFG FOR GE BY __ MADE IN
40	46-198393G1	1.000	No	SCREW
41	46-198395P1	1.000	No	HEX STANDOFF/NUT

Table 4-31 Collimator (2120100-2 BOM, rev 4) (Continued)

3.3 OBC Assembly (2231831)

FRU = NO

USED ON:
 2260618



REVISIONS				
REV#	MADE BY	CH	DATE	DESCRIPTION
B	RON KULAS	DOJAPR05	NCN	ADDED ITEMS 22 THRU 33
C	WASC TAPP	DOJAPR05	NCN	
ADDED TIE WRAP BASE LOC. F14;				
ADDED WELCH SPLIC. LOC. J14;				
D	CB KENDALL	DOJUN11	NCN	MARK 33 WAS SHCS
E	CB KENDALL	DOJUN12	NCN	
REMOVED MARK 29 AND ASSOC. H*WARE				
F	CB KENDALL	DOJUN14	NCN	UPDATED MARK 23
G	CB KENDALL	DOJUN18	NCN	DESIGN RELEASED
H	CB KENDALL	DOJUN18	NCN	CORRECTED TYPOS
J	RON KULAS	DOAUG07	NCN	
ADDED ITEM 34 AT F15. ITEM 33 WAS PAN HEAD AT K6				
K	RON KULAS	DOAUG18	NCN	
ADDED PICTURE OF THERMISTOR AT K-5, ADDED CTO TABLE				
L	DMRILL MILLER	DOCTO05	220236	
REMOVED CTO TABLE; ADDED "REF ONLY" ASSEMBLED MASS				

REFERENCE ONLY -
 ASSEMBLED MASS APPROXIMATELY 14.4kg

UNLESS OTHERWISE SPECIFIED:
TORQUE REQUIREMENTS
 M4 FASTENERS - 2.3Nm
 M6 FASTENERS - 7.9Nm

PHYSICAL ID: 2231831

THIS PART TO BE LABELED PER
 GEN5 IREQ 46-316849,
 LABEL PLACEMENT NOT CRITICAL

PART	QTY	UOM	UNIT
ELECTRONIC SIGNOFF DESIGN RELEASED			
2231831 OBC ASSEMBLY	1		1
GE MEDICAL SYSTEMS MILWAUKEE, WI			2231831ADW

Figure 4-52 OBC Assembly (2231831, sheet 1, rev 1)

MARK	NUMBER	QTY	FRU	DESCRIPTION/NAME
3	46-296317P3	1.000	Yes	OBC-STC & TABLE EMC POWER SUPPLY
4	2224296-3	1.000	Yes	VE-GE, 8MB, 2FL, GE MED, CT
5	2217038	1.000	Yes	OBC BACKPLANE
6	46-288512G1	1.000	Yes	GENTRY I/O BOARD
7	2179860-2	1.000	Yes	HEMRC CONTROL BOARD
8	2143147	1.000	Yes	KV BOARD
9	2154834	1.000	Yes	MA_BOARD
10	2233488	1.000	Yes	LSCOM BOARD
15	46-208750P1	16.000	Yes	CABLE TIE ANCHOR
16	2240818	1.000	Yes	OBC AC HARNESS
19	2262945	1.000	Yes	HARNESS, OBC 120VAC POWER
20	2262938	1.000	Yes	HARNESS, OBC FAN POWER
21	2240680	1.000	Yes	OBC PWR I/F
22	2262948	1.000	Yes	HARNESS, TUBE COOLING RELAY-OBC I/F
23	2271741	1.000	Yes	TUBE FAN PUMP RELAY CONTROL
25	46-297396P1	1.000	Yes	3-30 VAC/DC, SOLID STATE RELAY.
26	2271884	1.000	Yes	COVER, RELAY OBC
34	2262943	1.000	Yes	HARNESS, 120VAC PWR, S/R-OBC
n/a	46-136370P23	1.000	Yes	K78 FILAMENT RELAY
1	2232299	1.000	No	OBC CHASSIS ASSEMBLY {For further detail, see Section 3.3.1 , beginning on page 268 .}
2	2218996	1.000	No	GUARD, OBC POWER SUPPLY
11	46-170015P2	3.000	No	SCREW
12	46-328417P3	23.000	No	SCREW HEXAGON SOCKET 4 MM
13	46-328430P2	23.000	No	WASHER PLAIN - NORMAL 4.3 MM 9 MM
14	46-328422P13	16.000	No	SCREW COUNTERSUNK HEA 4 MM
17	46-170683P1	AR	No	LOCTITE 222, 10CC BOTTLE

Table 4-32 OBC Assembly (2231831 BOM, rev 8)

MARK	NUMBER	QTY	FRU	DESCRIPTION/NAME
18	46-208758P2	8.000	No	5.5" X .140" SELF-LOCKING CABLE TIE.
24	46-328432P2	8.000	No	WASHER LOCK - SPRING 4.1 MM 7.6 MM
27	2209282-3	1.000	No	STANDOFF/SPACER MALE/FEMALE 4 MM
31A	2271843	4.000	No	OBC SIDE
31B	2271843-2	ALT	No	OBC SIDE
32	46-328425P2	4.000	No	NUT HEXAGON 6 MM
33	46-328422P30	4.000	No	SCREW COUNTERSUNK HEA 6 MM

Table 4-32 OBC Assembly (2231831 BOM, rev 8)

This Page Intentionally Blank.

3.3.1 OBC Chassis Assembly (2232299)

FRU = NO

USED ON:
2231831

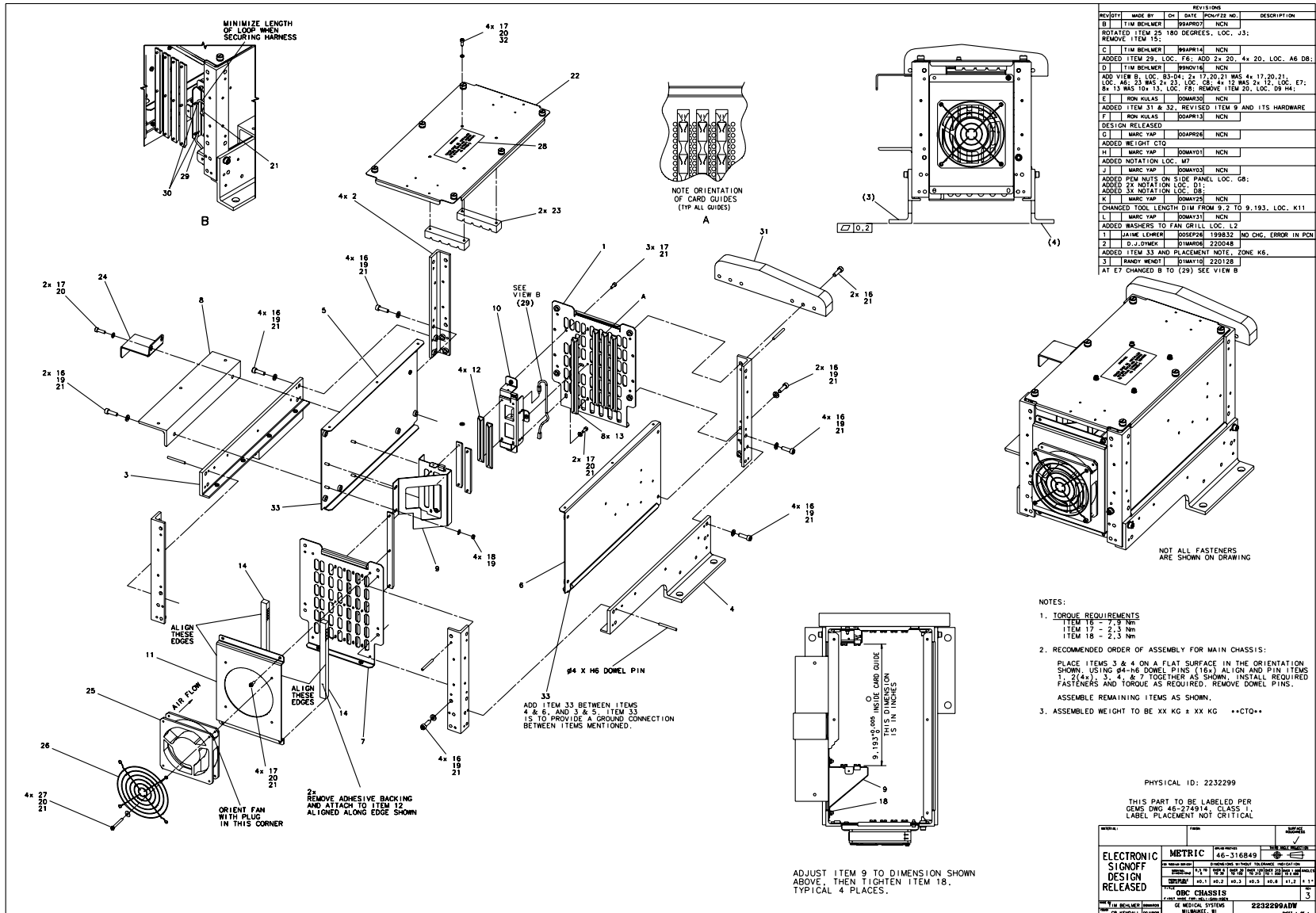
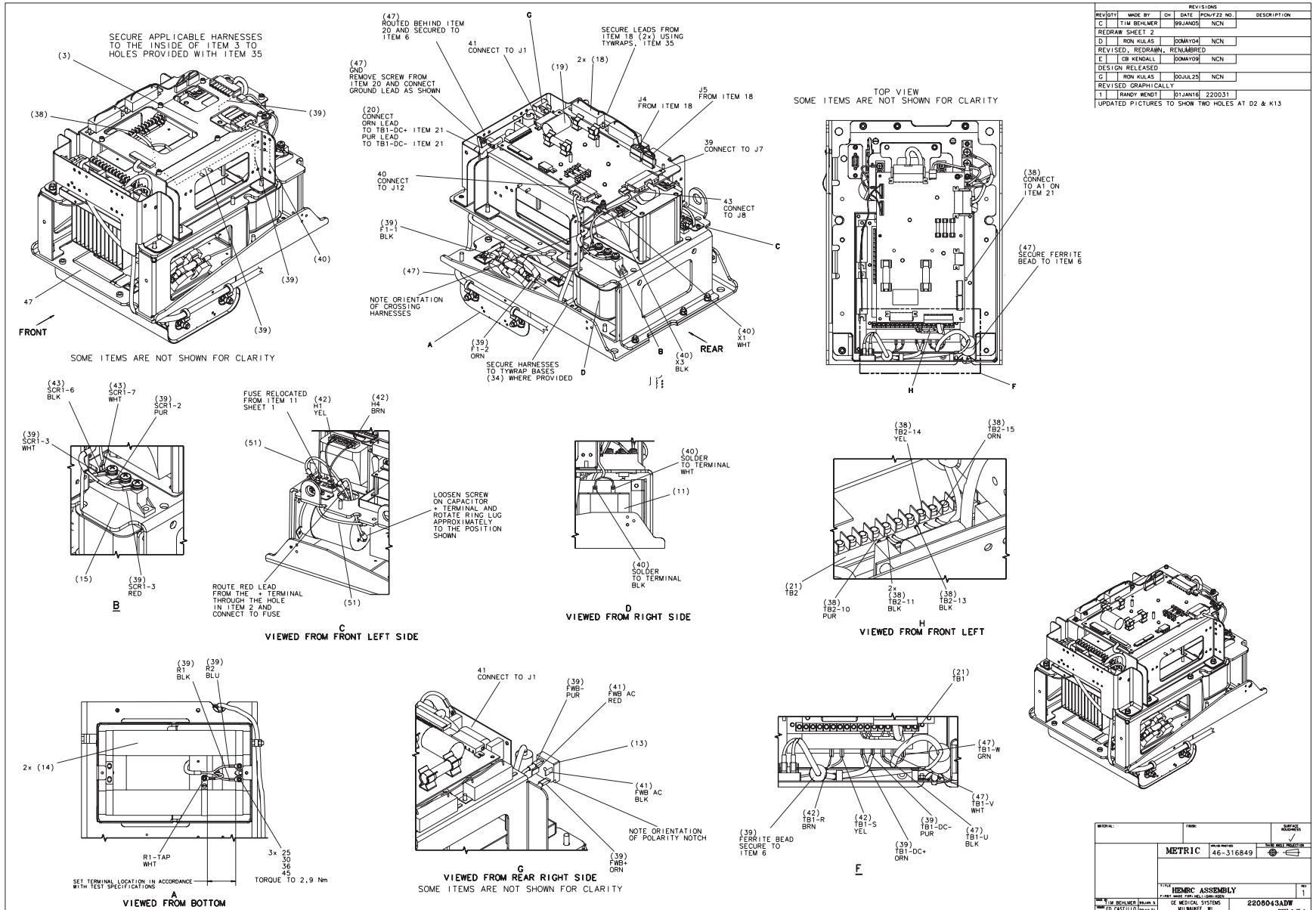


Figure 4-53 OBC Chassis Assembly (2232299, sheet 1, rev 3)

MARK	NUMBER	QTY	FRU	DESCRIPTION/NAME
25	2125040	1.000	Yes	AIR FLW: 79.4CFM, 115V, 6
26	46-403307P1	1.000	Yes	FAN ACCESSORIES FINGER GUARD
29	2242710	1.000	Yes	OBC THERMISTOR HARNESS H2
1	2231813	1.000	No	REAR PANEL OBC CARD GUIDES AND MFG
2	2231804	4.000	No	BRACKET CORNER SUPPORT OBC H2
3	2231829	1.000	No	OBC ASSEMBLY SUPPORT LEFT
4	2231827	1.000	No	OBC ASSEMBLY SUPPORT RIGHT
5	2231811	1.000	No	OBC SUPPORT PANEL LEFT SIDE
6	2231812	1.000	No	OBC SUPPORT PANEL RIGHT SIDE
7	2232538	1.000	No	FRONT PANEL OBC CARD GUIDE
8	2231781	1.000	No	BRACKET, OBC POWER SUPPLY
9	2231751	1.000	No	BRACKET FOR CPU BOARD MTG
10	2231753	1.000	No	BRACKET FOR CPU BOARD MTG
11	2231782	1.000	No	BRACKET, OBC FAN
12	46-296128P4	4.000	No	CARD GUIDE
13	46-296128P2	8.000	No	CARD GUIDE_9U
14	46-170171P10	1.170 ft	No	TAPE OLD
16	46-328417P14	26.000	No	SCREW HEXAGON SOCKET 6 MM
17	46-328417P3	17.000	No	SCREW HEXAGON SOCKET 4 MM
18	46-328425P1	2.000	No	NUT HEXAGON 4 MM
19	46-328430P3	26.000	No	WASHER PLAIN - NORMAL 6.4 MM 12 MM
20	46-328430P2	17.000	No	WASHER PLAIN - NORMAL 4.3 MM 9 MM
21	46-170683P1	AR	No	LOCTITE 222, 10CC BOTTLE
22	2231818	1.000	No	OBC ASSEMBLY COVER
23	2232609	2.000	No	OBC CARD SPACER
24	46-297389	1.000	No	BRACKET, OBC POWER SUPPLY
27	46-328417P9	4.000	No	SCREW HEXAGON SOCKET 4 MM
28	46-297750P1	1.000	No	RETN BDS LABEL
30	46-208758P2	2.000	No	5.5" X .140" SELF-LOCKING CABLE TIE.
31	2271842	1.000	No	OBC BACK
32	46-328432P2	4.000	No	WASHER LOCK - SPRING 4.1 MM 7.6 MM
33	2216471	2.000	No	EMI/RFI GASKET TAPE, WIRE

Table 4-33 OBC Chassis Assembly (2232299 BOM, rev 4)



REVISIONS					
REV/DT	MADE BY	CH	DATE	POW/22 NO.	DESCRIPTION
C	TIM BEHLMER		09JAN05		NCN
REDRAW SHEET 2					
D	RON KULAS		06MAY08		NCN
REVISED, REDRAWN, RENLABELED					
E	CE KENDALL		06MAY08		NCN
DESIGN RELEASED					
G	RON KULAS		06JUL25		NCN
REVISED GRAPHICALLY					
1	RANDY WENDT		01JAN16	220031	

UPDATED PICTURES TO SHOW TWO HOLES AT D2 & K13

MATERIAL		ITEM		QUANTITY	
METRIC		46-316849			
TITLE: HEMRC ASSEMBLY PART NO: 2208043-000-002 REV: 13					
PREPARED BY: ED CASTILLO (00001)				DATE: 06/11/08	
CHECKED BY:				DATE:	
APPROVED BY:				DATE:	
PART NO: 2208043-000-002				REV: 13	
TITLE: HEMRC ASSEMBLY				PART NO: 2208043-000-002	
REV: 13				DATE:	

Figure 4-55 HEMRC Assembly (2208043, sheet 2, rev 1)

MARK	NUMBER	QTY	FRU	DESCRIPTION/NAME
11	46-296701P1	1.000	Yes	UNREGULATED FILAMENT POWE
13	2147062	1.000	Yes	SEMICONDUCTOR:DIODE GENER
14	2184701-2	2.000	Yes	RESISTOR 50 OHMS 10 % 500
15	2185251	1.000	Yes	SCR 1200V, 27A, CHASSIS M
16	46-170021P104	1.000	Yes	FUSE 10 AMPS 700 VOLTS
17	2185277	1.000	Yes	1-30A, 600V, 1P, FOR 9/16
18	2183892	2.000	Yes	7500 OHM 40 WATT RESISTOR
19	2145832	1.000	Yes	HEMRC INTERFACE BOARD
20	2168593	1.000	Yes	HEMRC IF FILTER
21	2115199	1.000	Yes	HIGH EFF MTR ROTOR CTRL
22	2354743	1.000	Yes	STEP UP TRANSFORMER WITH
-	- 2150802	-	Yes	- HEMRC/STEP UP COIL TRANSF
-	- 2144757-2	-	Yes	- 14,3 HEX X 97,75 LG M6 TH
22A	2354744	ALT	Yes	STEP UP TRANSFORMER WITH
-	- 2150802-2	-	Yes	- HEMRC/STEP UP COIL TRANSF
-	- 2144757-4	-	Yes	- 14,3 HEX X 97,75 LG M6 TH
31	46-170212P1	AR	Yes	SILICONE, THERMAL JOINT C
39	2222145	1.000	Yes	HEMRC RESISTOR HARNESS
40	2233789	1.000	Yes	HEMRC FILAMENT/XFORMER PO
41	2222148	1.000	Yes	HEMRC 550V LEAD HARNESS
42	2222150	1.000	Yes	HEMRC AC POWER LEAD HARNE
46	2229943	1.000	Yes	JUMPER BAR FOR BRAKING RE
47	2233631	1.000	Yes	HEMRC STATOR HARNESS HELI
49	2246469	1.000	Yes	HARNESS HEMRC SIGNAL
51	2274120	1.000	Yes	FIL PWR SUPPLY OUT
1	2208044	1.000	No	PLATE, BASE
2	2208045	1.000	No	PLATE, MOUNTING, HEMRC UN

Table 4-34 HEMRC Assembly (2208043 BOM, rev 5)

MARK	NUMBER	QTY	FRU	DESCRIPTION/NAME
3	2208046	1.000	No	FRAME, MOUNTING, HEMRC PC
4	2208047	2.000	No	FRAME, SUPPORT
5	2269770	1.000	No	TENSION BRACKET HEMRC HEL
6	2208049	1.000	No	EMC FILTER BD MTG BRACKET
7	2222863	2.000	No	HERMC BREAKING RESISTOR T
8	2222805	1.000	No	COVER HEMRC RESISTOR TRAY
9	2208052	1.000	No	COVER, HEMRC ASM
10	2144651	1.000	No	HEMRC/TRANSFORMER BRACKET
23	46-208750P1	1.000	No	CABLE TIE ANCHOR
24	46-328425P2	28.000	No	NUT HEXAGON 6 MM
25	46-328425P1	24.000	No	NUT HEXAGON 4 MM
27	46-328422P13	6.000	No	SCREW COUNTERSUNK HEA 4 M
28	46-328417P5	10.000	No	SCREW HEXAGON SOCKET 4 MM
29	46-328417P13	7.000	No	SCREW HEXAGON SOCKET 6 MM
30	46-328430P2	22.000	No	WASHER PLAIN - NORMAL 4.3
32	46-170683P1	AR	No	LOCTITE 222, 10CC BOTTLE
33	46-302200P6	1.000	No	MFG FOR GE BY __ MADE IN
34	46-208747P2	6.000	No	CABLE TIE MOUNT ADHESIVE
35	46-208758P2	AR	No	5.5" X .140" SELF-LOCKING
36	46-328432P2	31.000	No	WASHER LOCK - SPRING 4.1
37	46-328432P3	23.000	No	WASHER LOCK - SPRING 6.1
43	2222151	1.000	No	HEMRC SCR GATE HARNESS
44	46-328430P3	6.000	No	WASHER PLAIN - NORMAL 6.4
45	46-328417P2	4.000	No	SCREW HEXAGON SOCKET 4 MM
52	46-328417P1	2.000	No	SCREW HEXAGON SOCKET 4 MM
53	46-328417P3	6.000	No	SCREW HEXAGON SOCKET 4 MM
56	46-208713P4	4.000	No	CLAMP OR CLIP

Table 4-34 HEMRC Assembly (2208043 BOM, rev 5) (Continued)

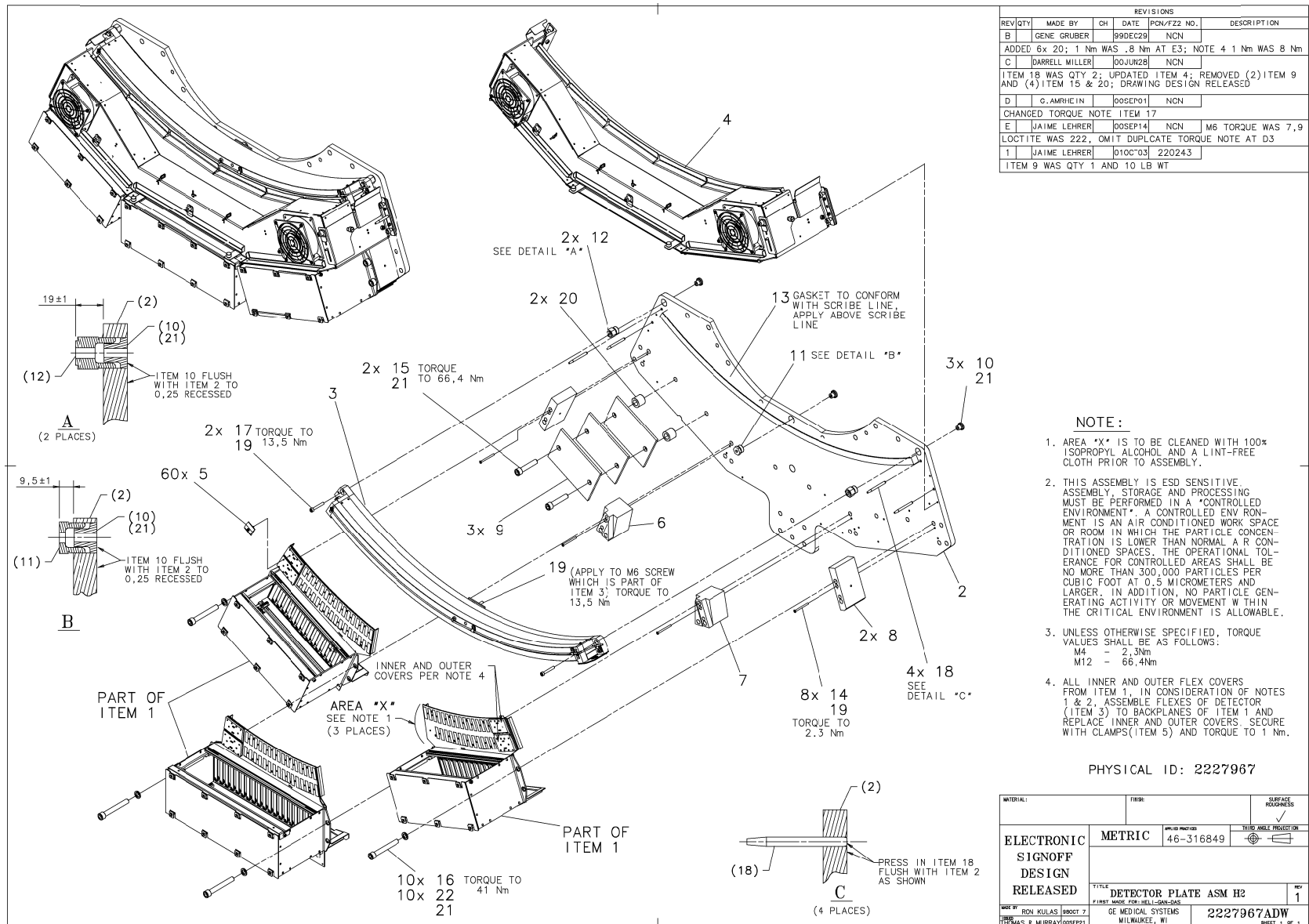
This Page Intentionally Blank.

3.5 Detector Plate Assembly (2227967)

FRU = NO

USED ON:

2260618



REVISIONS					
REV/QTY	MADE BY	CH	DATE	PCN/PZZ NO.	DESCRIPTION
B	GENE GRUBER		99DEC29	NCN	
ADDED 6x 20; 1 Nm WAS .8 Nm AT E3; NOTE 4 1 Nm WAS 8 Nm					
C	DARRELL MILLER		00JUN28	NCN	
ITEM 18 WAS QTY 2; UPDATED ITEM 4; REMOVED (2) ITEM 9 AND (4) ITEM 15 & 20; DRAWING DESIGN RELEASED					
D	G. AMRHEIN		00SEP01	NCN	
CHANGED TORQUE NOTE ITEM 17					
E	JAIME LEHRER		00SEP14	NCN	M6 TORQUE WAS 7,9
LOCTITE WAS 222, OMIT DUPLICATE TORQUE NOTE AT D3					
F	JAIME LEHRER		01OCT03	220243	
ITEM 9 WAS QTY 1 AND 10 LB WT					

NOTE :

- AREA "X" IS TO BE CLEANED WITH 100% ISOPROPYL ALCOHOL AND A LINT-FREE CLOTH PRIOR TO ASSEMBLY.
- THIS ASSEMBLY IS ESD SENSITIVE. ASSEMBLY, STORAGE AND PROCESSING MUST BE PERFORMED IN A "CONTROLLED ENVIRONMENT": A CONTROLLED ENVIRONMENT IS AN AIR CONDITIONED WORK SPACE OR ROOM IN WHICH THE PARTICLE CONCENTRATION IS LOWER THAN NORMAL A R CONDITIONED SPACES. THE OPERATIONAL TOLERANCE FOR CONTROLLED AREAS SHALL BE NO MORE THAN 300,000 PARTICLES PER CUBIC FOOT AT 0.5 MICROMETERS AND LARGER. IN ADDITION, NO PARTICLE GENERATING ACTIVITY OR MOVEMENT WITHIN THE CRITICAL ENVIRONMENT IS ALLOWABLE.
- UNLESS OTHERWISE SPECIFIED, TORQUE VALUES SHALL BE AS FOLLOWS:
M4 - 2,3Nm
M12 - 66,4Nm
- ALL INNER AND OUTER FLEX COVERS FROM ITEM 1, IN CONSIDERATION OF NOTES 1 & 2, ASSEMBLE FLEXES OF DETECTOR (ITEM 3) TO BACKPLANES OF ITEM 1 AND REPLACE INNER AND OUTER COVERS. SECURE WITH CLAMPS (ITEM 5) AND TORQUE TO 1 Nm.

PHYSICAL ID: 2227967

MATERIAL:	FINISH	SURFACE ROUGHNESS
ELECTRONIC SIGNOFF DESIGN RELEASED	METRIC	46-316849
TITLE: DETECTOR PLATE ASM H2		REV: 1
DATE BY: RON KULAS, PROJECT 2	GE MEDICAL SYSTEMS	2227967ADW
DESIGNED BY: M.J.MURRAY/00SEP01	MILWAUKEE, WI	SHEET 1 OF 1

Figure 4-57 Detector Plate Assembly (2227967, sheet 1, rev 1)

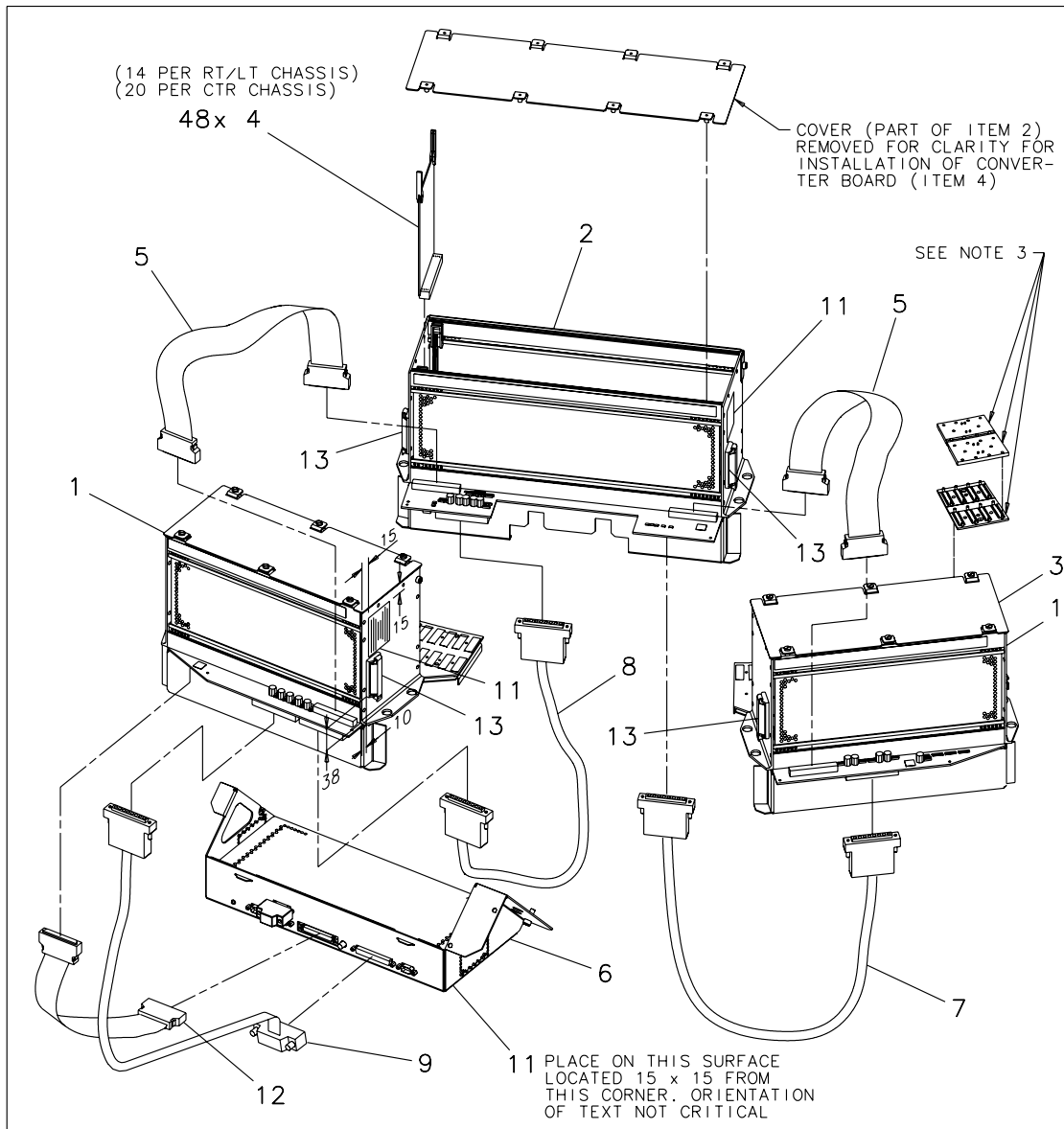
MARK	NUMBER	QTY	FRU	DESCRIPTION/NAME
3	2281880	1.000	Yes	G4S DETECTOR ASM {For further detail, see Section 3.5.2 , beginning on page 288.}
3A	2258844	ALT	Yes	LIGHTSPEED DET.- 57 MOD. {For further detail, see Section 3.5.3 , beginning on page 290.}
3B	2146718	ALT	Yes	LIGHTSPEED DETECTOR ASSEMBLY {For further detail, see Section 3.5.4 , beginning on page 292.}
5	2218140	60.000	Yes	CLAMP PLATE ASSEMBLY FOR DAS
1	2228214	1.000	No	SDAS COLLECTOR ASM H2 {For further detail, see Section 3.5.1 , beginning on page 278.}
2	2178953	1.000	No	HELIOS 2 DAS/DETECTOR MOUNTING PLATE
4	2252888-2	1.000	No	DAS DUCT FAN/FILTER ASM (H2) {For further detail, see Section 3.5.5 , beginning on page 294.}
6	2166844	1.000	No	SDAS BLOCK LEFT CENTER CHASSIS SPRT
7	2166843	1.000	No	SDAS BLOCK RIGHT CENTER CHASSIS SPRT
8	2166841	2.000	No	SDAS BLOCK END SUPPORT FOR CHASSIS
9	46-297604P3	3.000	No	
10	2218901	3.000	No	ANCHOR SCREW
11	2218902	1.000	No	SHORT ADJUSTING BARREL
12	2218904	2.000	No	LONG ADJUSTING BARREL
13	2219517	1.000	No	EMI GASKET CHOMERICS 1000
14	2228516-10	8.000	No	CAPSCREW, SOCKET FLAT HEA
15	46-328417P68	6.000	No	SCREW HEXAGON SOCKET 12 M
16	46-328417P70	10.000	No	SCREW HEXAGON SOCKET 12 M
17	46-328417P18	2.000	No	SCREW HEXAGON SOCKET 6 MM
18	2136615	4.000	No	GUIDE PIN FOR ALIGNMENT
19	46-170686P2	AR	No	LOCTITE 242, 10CC
20	2215432	6.000	No	SPACER FOR IDLER PULLEY MTG,H2 GANT
21	46-1770684P2	AR	No	LOCTITE 271, 10CC BOTTLE
22	2275713-8	10.000	No	WASHER, FLAT NON STD FOR
AIL	2227349	n/a	No	DETECTOR SHIPPING CONTAINER

Table 4-35 Detector Plate Assembly (2227967 BOM, rev 3)

3.5.1 SDAS Assembly (2228214)

FRU = NO

USED ON:
 2227967



REVISIONS						
REV	QTY	MADE BY	CH	DATE	PCN/FZ2 NO.	DESCRIPTION
B		GENE GRUBER		99NOV02	NCN	
REMOVED TERMINATOR ITEM 10 AT E2						
C		GENE GRUBER		99NOV03	NCN	
ADDED PIC OF TERMINATOR TO ITEM 6						
D		PHILL COY		00MAY02	NCN	
DESIGN RELEASED.						
1		RON KULAS		02FEB20	220380	
ITEM 12 WAS ITEM 5 AT F-2, REVISED QTY FOR ITEM 4						
2		RANDY WENDT		02APR02	220449	ADDED 4 ITEM 13

NOTES:

- ASSEMBLY, STORAGE AND PROCESSING MUST BE PERFORMED IN A "CONTROLLED ENVIRONMENT" A CONTROLLED ENVIRONMENT IS AN AIR CONDITIONED WORK SPACE OR ROOM IN WHICH THE PARTICLE CONCENTRATION IS LOWER THAN NORMAL AIR CONDITIONED SPACES. THE OPERATIONAL TOLERANCE FOR CONTROLLED AREAS SHALL BE NO MORE THAN 300,000 PARTICLES PER CUBIC FOOT AT 0.5 MICROMETERS AND LARGER. IN ADDITION, NO PARTICLE GENERATING ACTIVITY OR MOVEMENT WITHIN THE CRITICAL ENVIRONMENT IS ALLOWABLE.
- THIS ASSEMBLY IS ESD SENSITIVE. PACKAGE IN A SEALED STATIC SHIELDING BAG PER GE SPECIFICATIONS 46-3099636 AND 190.01MFG AND MIL SPEC B 81705C TYPE 1 CLASS 1.
- A RETENTION METHOD MUST BE IMPLEMENTED TO RETAIN THE INNER AND OUTER COVERS (PARTS OF ITEMS 1, 2 AND 3) IN THE ASSEMBLED POSITION THROUGHOUT ALL HANDLING, STORAGE AND TRANSPORTATION ACTIVITIES.
- ATTACH SERIALIZED RATING PLATES (ITEM 11) AS SHOWN.

PHYSICAL ID: 2228214

MATERIAL:		FINISH:		SURFACE ROUGHNESS	
ELECTRONIC SIGNOFF DESIGN RELEASED		METRIC		APPLIED PRACTICES 46-316849	
TITLE SDAS COLLECTOR ASM		THIRD ANGLE PROJECTION		REV 2	
MADE BY RON KULAS 98OCT12		GE MEDICAL SYSTEMS		2228214ADW	
DESIGNER THOMAS R. MURRY 00JUN17		MILWAUKEE, WI		SHEET 1 OF 1	

Figure 4-58 SDAS Assembly (2228214, sheet 1, rev 2)

MARK	NUMBER	QTY	FRU	DESCRIPTION/NAME
1	2177901	1.000	Yes	SDAS LEFT CHASSIS ASM {For further detail, see Section 3.5.1.1 , beginning on page 280.}
2	2177903	1.000	Yes	SDAS CENTER CHASSIS ASM {For further detail, see Section 3.5.1.2 , beginning on page 282.}
3	2177904	1.000	Yes	SDAS RIGHT CHASSIS ASM {For further detail, see Section 3.5.1.3 , beginning on page 284.}
5	2193036	2.000	Yes	HELIOS CHASSIS TO CHASSIS
6	2225218	1.000	Yes	DCB HOUSING ASM {For further detail, see Section 3.5.1.4 , beginning on page 286.}
7	2190343	1.000	Yes	SDAS JUMPER HARNESS, CENTER TO RIGHT
8	2190344	1.000	Yes	SDAS JUMPER HARNESS, CENTER TO LEFT
9	2266421	1.000	Yes	DAS JUMPER HARNESS, HELIOS 2
11	46-302200P6	4.000	Yes	MFG FOR GE BY __ MADE IN __ MODEL
12	2193036-2	1.000	Yes	HELIOS CABLE, SDAS TO DCB
13	46-220191P3	4.000	Yes	PANDUIT FCM2-A-C14 GRAY,
AIL	2226685	n/a	Yes	134A REMOVES MICROSCOPIC DUST
AIL	2274104	n/a	Yes	CONTACT, CIRCUIT BOARD CLEANER
AIL	2207303-6	n/a	Yes	SAFE SKIN NITRILE GLOVE, LARGE
AIL	2207303-7	n/a	Yes	SAFE SKIN NITRILE GLOVE, EXTRA LARGE
AIL	2227089	n/a	Yes	DAS/DETECTOR SERVICE KIT
AIL	2227089-2	n/a	Yes	DAS/DETECTOR SERVICE KIT
4	2137958-4	48.000	No	CONVERTOR WITH BLACK BEUT
4A	2137958-3	ALT	No	CONVERTOR BOARD-STATIC DISSIPATING

Table 4-36 SDAS Collector Asm (2228214 BOM, rev 5)

3.5.1.1 SDAS Left Chassis Asm (2177901)

FRU = YES

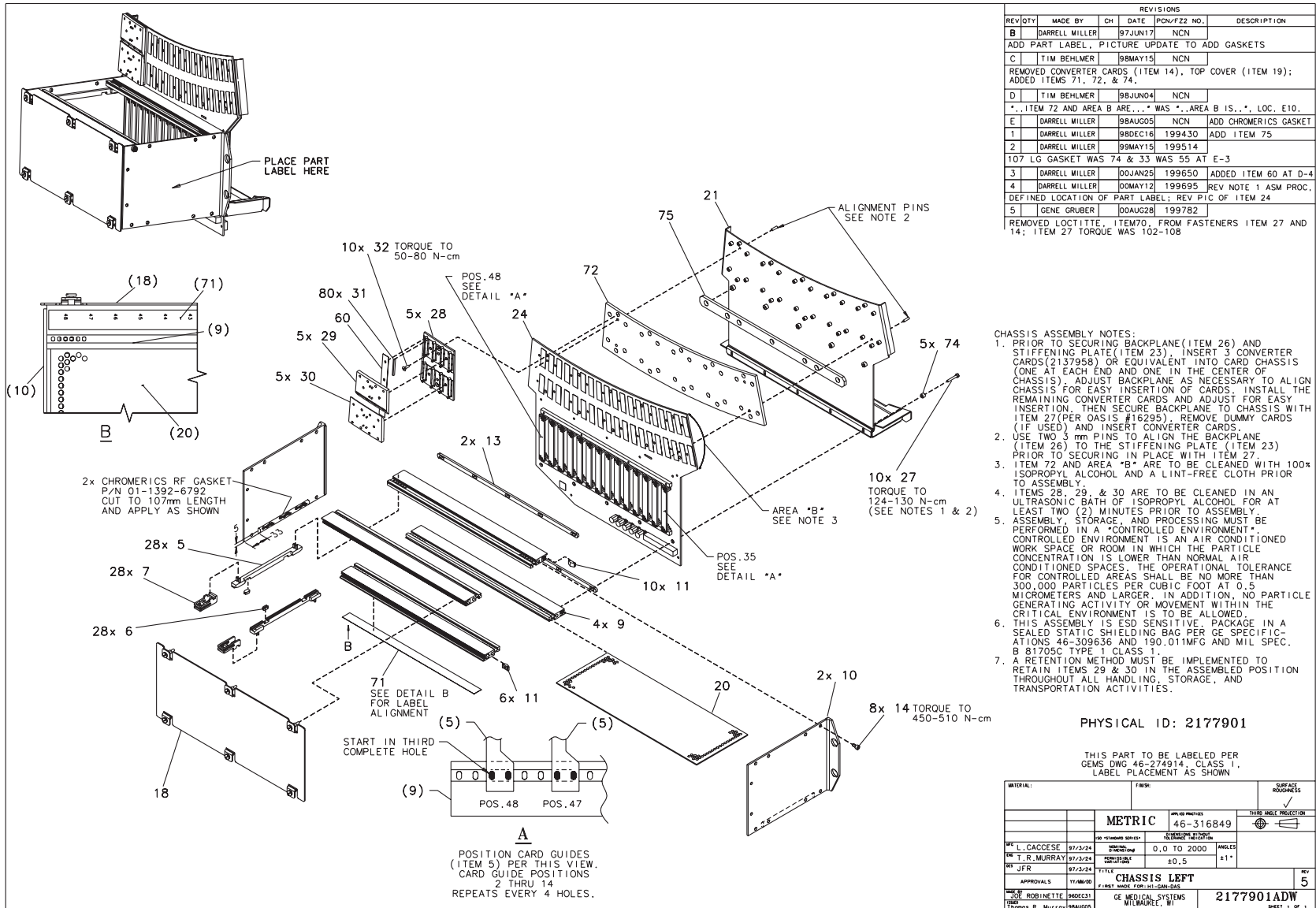


Figure 4-59 SDAS Left Chassis Asm (2177901, sheet 1, rev 5)

MARK	NUMBER	QTY	FRU	DESCRIPTION/NAME
28	2172510	5.000	Yes	HOUSING, ELASTO-COVERS
29	2172511	5.000	Yes	INNER COVER, ELASTO-COVER
30	2172513	5.000	Yes	OUTER COVER, ELASTO-COVER
31	2169110	80.000	Yes	1 PC ELASTOMER .10 PTCH_S
60	2176918	1.000	Yes	USED FOR SPACING OF ELAST
<i>AIL</i>	2329000	n/a	Yes	ESD-DAS-DET-FLEX BOOT KIT
5	91516603	28.000	No	GUIDE RAIL
6	2177746	28.000	No	CLIP, ANTIVIBRATION
7	91607494	28.000	No	BOARD RETAINER
9	2177752	4.000	No	60 HP HORIZONTAL FRONT RA
10	2177900	2.000	No	SDAS 3U SIDE PLT/MOD. SCH
11	2178630	16.000	No	FRONT RAIL M3 SLIDE NUTS
13	2178417	2.000	No	60 HP METAL SPACER STRIP
14	2270471-2	8.000	No	M5X12 HEX CAP SCREW W/NYL
18	2202271	1.000	No	HELIOS L/R DAS NON-PERF W
20	2177907	1.000	No	SDAS LEFT & RIGHT CHASSIS
21	2179132	1.000	No	EMC LEFT BACKING PLATE
24	2164223	1.000	No	LEFT DAS BACKPLANE
27	2270471	10.000	No	M3X20 HEX CAP SCREW W/NYL
32	2103580-40	10.000	No	SCREW COUNTERSUNK HEX 3 M
71	2217078-3	1.000	No	SPLIT BACK LEFT SIDE 35-4
72	2213123	1.000	No	SDAS BACKPLANE/BACKPLATE
74	2216813	5.000	No	SPACER, 3.4MM IDX6.35MM O
75	2228735	1.000	No	HELIOS 1 LEFT/RIGHT DAS

Table 4-37 SDAS Left Chassis Asm (2177901 BOM, rev 4)

3.5.1.2 SDAS Center Chassis Asm (2177903)

FRU = YES

CHASSIS ASSEMBLY NOTES:

1. PRIOR TO SECURING BACKPLANE (ITEM 26) AND STIFFENING PLATE (ITEM 23), INSERT 3 CONVERTER CARDS (217958) OR EQUIVALENT INTO CARD CHASSIS (ONE AT EACH END AND ONE IN THE CENTER OF CHASSIS). ADJUST BACKPLANE AS NECESSARY TO ALIGN CHASSIS FOR EASY INSERTION OF CARDS. INSTALL THE REMAINING CONVERTER CARDS AND ADJUST FOR EASY INSERTION. THEN SECURE BACKPLANE TO CHASSIS WITH ITEM 27 (PER OASIS #16295). REMOVE DUMMY CARDS (IF USED) AND INSERT CONVERTER CARDS.
2. USE TWO 3 mm PINS TO ALIGN THE BACKPLANE (ITEM 26) TO THE STIFFENING PLATE (ITEM 23) PRIOR TO SECURING IN PLACE WITH ITEM 27.
3. ITEM 72 AND AREA *B* ARE TO BE CLEANED WITH 100% ISOPROPYL ALCOHOL AND A LINT-FREE CLOTH PRIOR TO ASSEMBLY.
4. ITEMS 28, 29, & 30 ARE TO BE CLEANED IN AN ULTRASONIC BATH OF ISOPROPYL ALCOHOL FOR AT LEAST TWO (2) MINUTES PRIOR TO ASSEMBLY.
5. ASSEMBLY, STORAGE, AND PROCESSING MUST BE PERFORMED IN A "CONTROLLED ENVIRONMENT". CONTROLLED ENVIRONMENT IS AN AIR CONDITIONED WORK SPACE OR ROOM IN WHICH THE PARTICLE CONCENTRATION IS LOWER THAN NORMAL AIR CONDITIONED SPACES. THE OPERATIONAL TOLERANCE FOR CONTROLLED AREAS SHALL BE NO MORE THAN 300,000 PARTICLES PER CUBIC FOOT AT 0.5 MICROMETERS AND LARGER. IN ADDITION, NO PARTICLE GENERATING ACTIVITY OR MOVEMENT WITHIN THE CRITICAL ENVIRONMENT IS TO BE ALLOWED.
6. THIS ASSEMBLY IS ESD SENSITIVE. PACKAGE IN A SEALED STATIC SHIELDING BAG PER GE SPECIFICATIONS 46-309636 AND 190.011MFG AND MIL SPEC. B 81705C TYPE 1 CLASS 1.
7. A RETENTION METHOD MUST BE IMPLEMENTED TO RETAIN ITEMS 29 & 30 IN THE ASSEMBLED POSITION THROUGHOUT ALL HANDLING, STORAGE, AND TRANSPORTATION ACTIVITIES.

PHYSICAL ID: 2177903

THIS PART TO BE LABELED PER GEMS DWG 46-274914, CLASS 1, LABEL PLACEMENT AS SHOWN

MATERIAL:	FINISH:	SURFACE ROUGHNESS:
		<input checked="" type="checkbox"/> 100μm INCL PROJECTION <input type="checkbox"/> 100μm INCL DEPRESSION
	METRIC	P/N 46-316849 SURFACE FINISH: 0.0 TO 2000 μm INCL
OFF L. CACCISE	97/3/24	DESIGNED BY
DR T.R. MURRAY	97/3/24	DESIGNED BY
REV JFR	97/3/24	TITLE
APPROVALS	17/06/00	CHASSIS CENTER
DESIGNED BY ROBINETTE	98/06/31	GE MEDICAL SYSTEMS
DRAWN BY T.R. MURRAY	98/06/31	GE MILWAUKEE, WI

REV 5

2177903ADW

SHEET 1 OF 1

Figure 4-60 SDAS Center Chassis Asm (2177903, sheet 1, rev 5)

MARK	NUMBER	QTY	FRU	DESCRIPTION/NAME
29	2172511	5.000	Yes	INNER COVER, ELASTO-COVER
30	2172513	5.000	Yes	OUTER COVER, ELASTO-COVER
31	2169110	80.000	Yes	1 PC ELASTOMER .10 PTCH_S
<i>A/L</i>	2329000	n/a	Yes	ESD-DAS-DET-FLEX BOOT KIT
5	91516603	40.000	No	GUIDE RAIL
6	2177746	40.000	No	CLIP, ANTIVIBRATION
7	91607494	40.000	No	BOARD RETAINER
8	2177757	4.000	No	81 HP HORIZ FRONT FRAI W/
10	2177900	2.000	No	SDAS 3U SIDE PLT/MOD. SCH
11	2178630	18.000	No	FRONT RAIL M3 SLIDE NUTS
12	2178272	2.000	No	81 HP METAL SPACER STRIP
14	2270471-2	8.000	No	M5X12 HEX CAP SCREW W/NYL
15	2202269	1.000	No	HELIOS CNTR DAS NON-PERF
17	2177911	1.000	No	SDAS CENTER CHASSIS BOTTO
23	2179134	1.000	No	EMC CENTER BACKING PLATE
26	2164225	1.000	No	CENTER DAS BACKPLANE
27	2270471	10.000	No	M3X20 HEX CAP SCREW W/NYL
28	2172510	5.000	No	HOUSING, ELASTO-COVERS
32	2103580-40	10.000	No	SCREW COUNTERSUNK HEX 3 M
40	2217282	1.000	No	DAS TO SHROUD BRACKET
71	2217078-2	1.000	No	SPLIT BACK CENTER 15-34_L
72	2213123	1.000	No	SDAS BACKPLANE/BACKPLATE
74	2216813	5.000	No	SPACER, 3.4MM IDX6.35MM O
75	2228734	1.000	No	HELIOS 1 CENTER DAS

Table 4-38 SDAS Center Chassis Asm (2177903 BOM, rev 2)

3.5.1.3 SDAS Right Chassis Asm (2177904)

FRU = YES

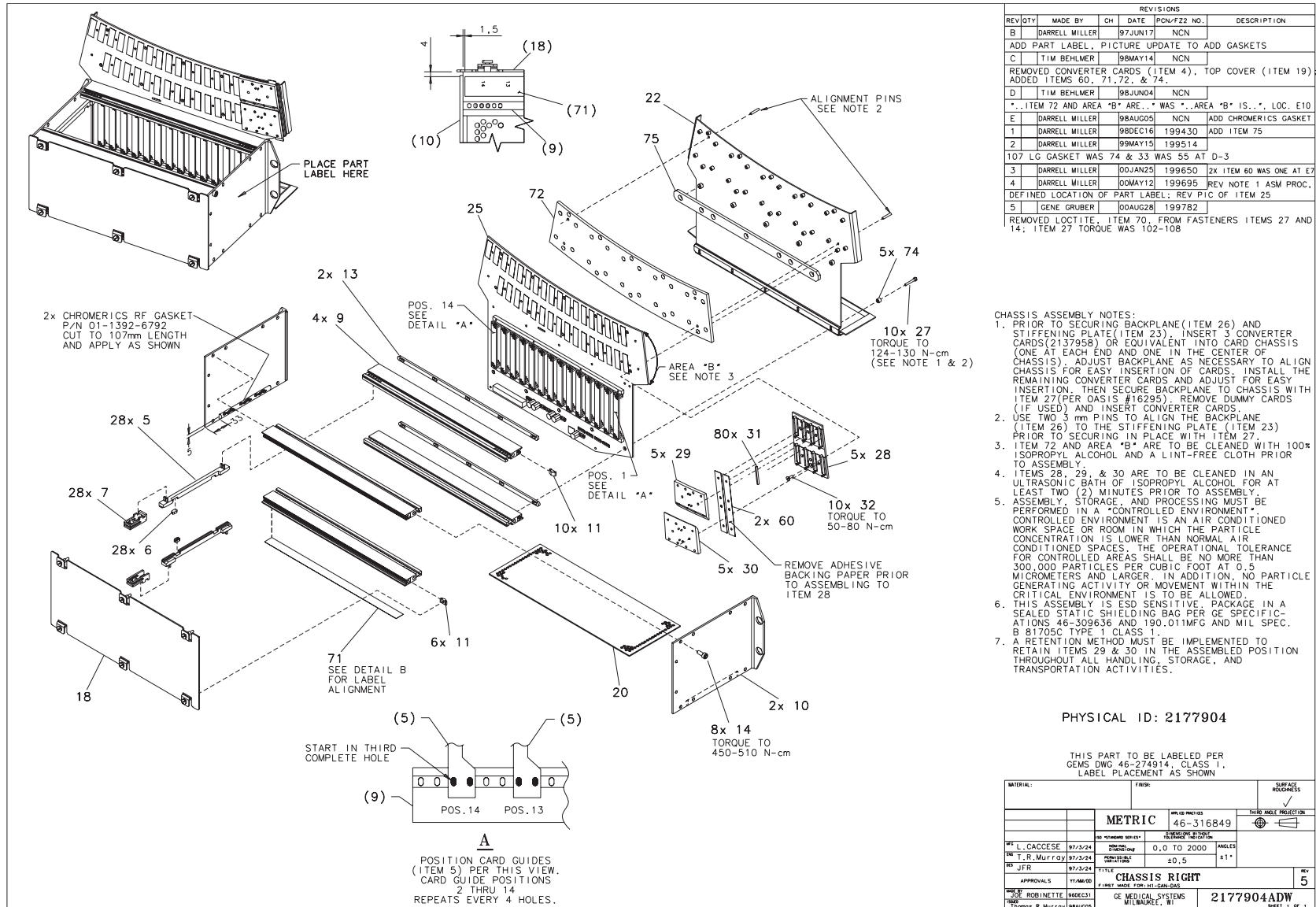


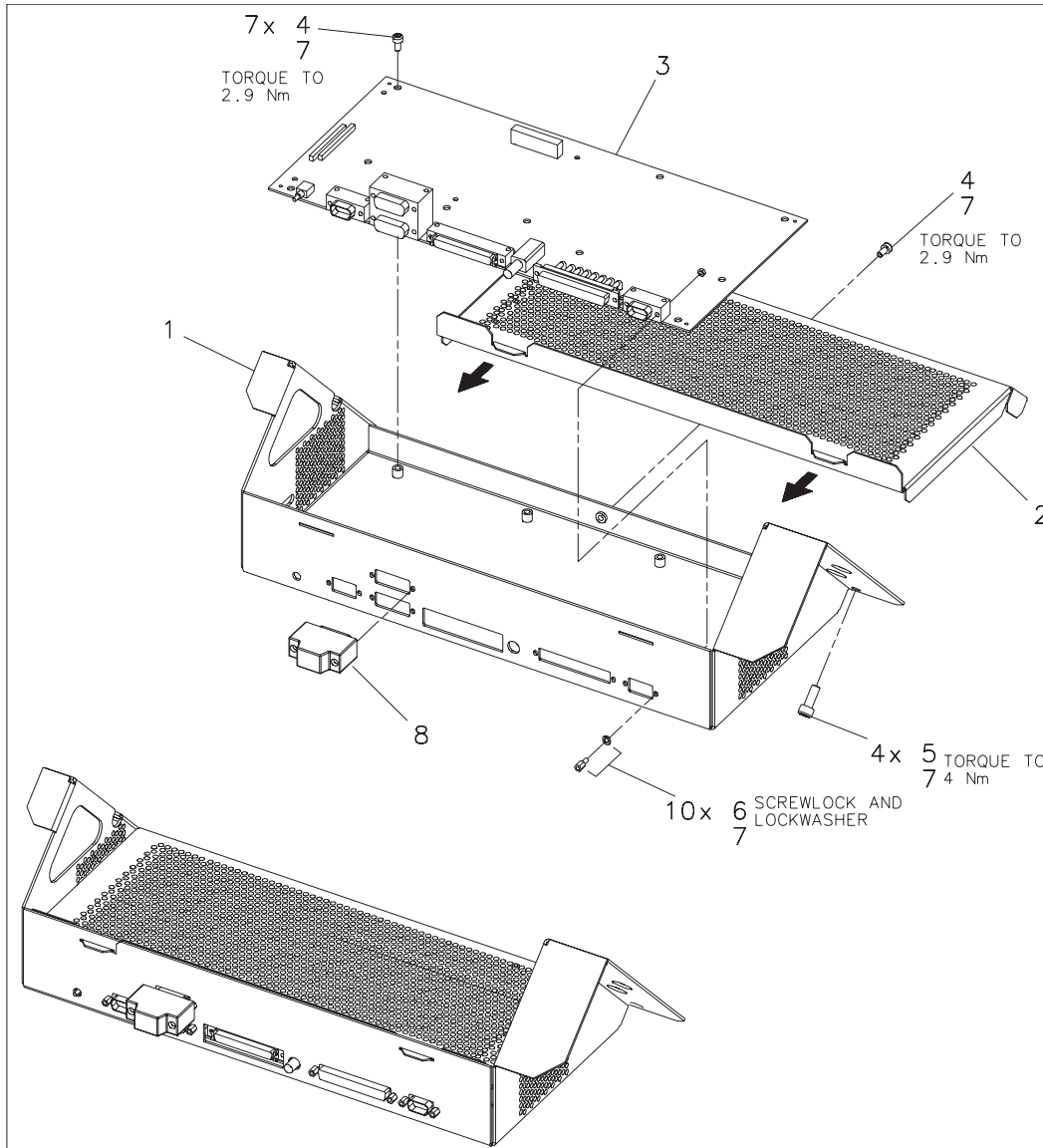
Figure 4-61 SDAS Right Chassis Asm (2177904, sheet 1, rev 5)

MARK	NUMBER	QTY	FRU	DESCRIPTION/NAME
29	2172511	5.000	Yes	INNER COVER, ELASTO-COVER
30	2172513	5.000	Yes	OUTER COVER, ELASTO-COVER
31	2169110	80.000	Yes	1 PC ELASTOMER .10 PTCH_S
60	2176918	2.000	Yes	USED FOR SPACING OF ELAST
<i>A/L</i>	2329000	n/a	Yes	ESD-DAS-DET-FLEX BOOT KIT
5	91516603	28.000	No	GUIDE RAIL
6	2177746	28.000	No	CLIP, ANTIVIBRATION
7	91607494	28.000	No	BOARD RETAINER
9	2177752	4.000	No	60 HP HORIZONTAL FRONT RA
10	2177900	2.000	No	SDAS 3U SIDE PLT/MOD. SCH
11	2178630	16.000	No	FRONT RAIL M3 SLIDE NUTS
13	2178417	2.000	No	60 HP METAL SPACER STRIP
14	2270471-2	8.000	No	M5X12 HEX CAP SCREW W/NYL
18	2202271	1.000	No	HELIOS L/R DAS NON-PERF W
20	2177907	1.000	No	SDAS LEFT & RIGHT CHASSIS
22	2179133	1.000	No	EMC RIGHT BACKING PLATE
25	2164227	1.000	No	RIGHT DAS BACKPLANE
27	2270471	10.000	No	M3X20 HEX CAP SCREW W/NYL
28	2172510	5.000	No	HOUSING, ELASTO-COVERS
32	2103580-40	10.000	No	SCREW COUNTERSUNK HEX 3 M
71	2217078	1.000	No	SPLIT BACK RIGHT SIDE 1-1
72	2213123	1.000	No	SDAS BACKPLANE/BACKPLATE
74	2216813	5.000	No	SPACER, 3.4MM IDX6.35MM O
75	2228735	1.000	No	HELIOS 1 LEFT/RIGHT DAS

Table 4-39 SDAS Right Chassis Asm (2177904 BOM, rev 3)

3.5.1.4 DCB Housing ASM (2225218)

FRU = YES



REVISIONS						
REV	QTY	MADE BY	CH	DATE	PCN/FZ2 NO.	DESCRIPTION
B		GENE GRUBER		99NOV02	NCN	ADDED TERMINATOR ITEM 8
C		PHILL COY		00APR18	NCN	DESIGN RELEASE.
1		GENE GRUBER		00OCT31	199886	ADDED ITEM 7 AT E4

THIS PART TO BE LABELED PER
 GEMS DWG 46-274914, CLASS I,
 LABEL PLACEMENT NOT CRITICAL

PHYSICAL ID: 2225218

MATERIAL:		FINISH:		SURFACE ROUGHNESS		
ELECTRONIC SIGNOFF DESIGN RELEASED		METRIC		APPLIED PRACTICES 46-316849		
				THIRD ANGLE PROJECTION		
		TITLE DCB, HOUSING ASM				REV 1
MADE BY RON KULAS 98AUG14		GE MEDICAL SYSTEMS MILWAUKEE, WI		2225218ADW		
DRAWN THOMAS R. MURRY 00JUN17				SHEET 1 OF 1		

Figure 4-62 DCB Housing Asm (2225218, sheet 1, rev 1)

MARK	NUMBER	QTY	FRU	DESCRIPTION/NAME
6	46-221417P4	10.000	Yes	FEMALE SCREWLOCKS FOR HD CONNECTORS
8	2215315	1.000	Yes	DAS DCB TERMINATOR
1	2225219	1.000	No	BACKPLATE DCB HOUSING
2	2225220	1.000	No	COVER DCB HOUSING
3	2245257	1.000	No	H2 DCB
3A	2276149	1.000	No	H1 TO H2 DCB MODIFICATION
4	46-328417P2	8.000	No	SCREW HEXAGON SOCKET 4 MM
5	46-328417P13	4.000	No	SCREW HEXAGON SOCKET 6 MM 16 MM
7	46-170686P3	AR	No	LOCTITE 242, 50CC

Table 4-40 DCB Housing Asm (2225218 BOM, rev 2)

3.5.2 Detector Assembly - G4S (2281880)

FRU = YES

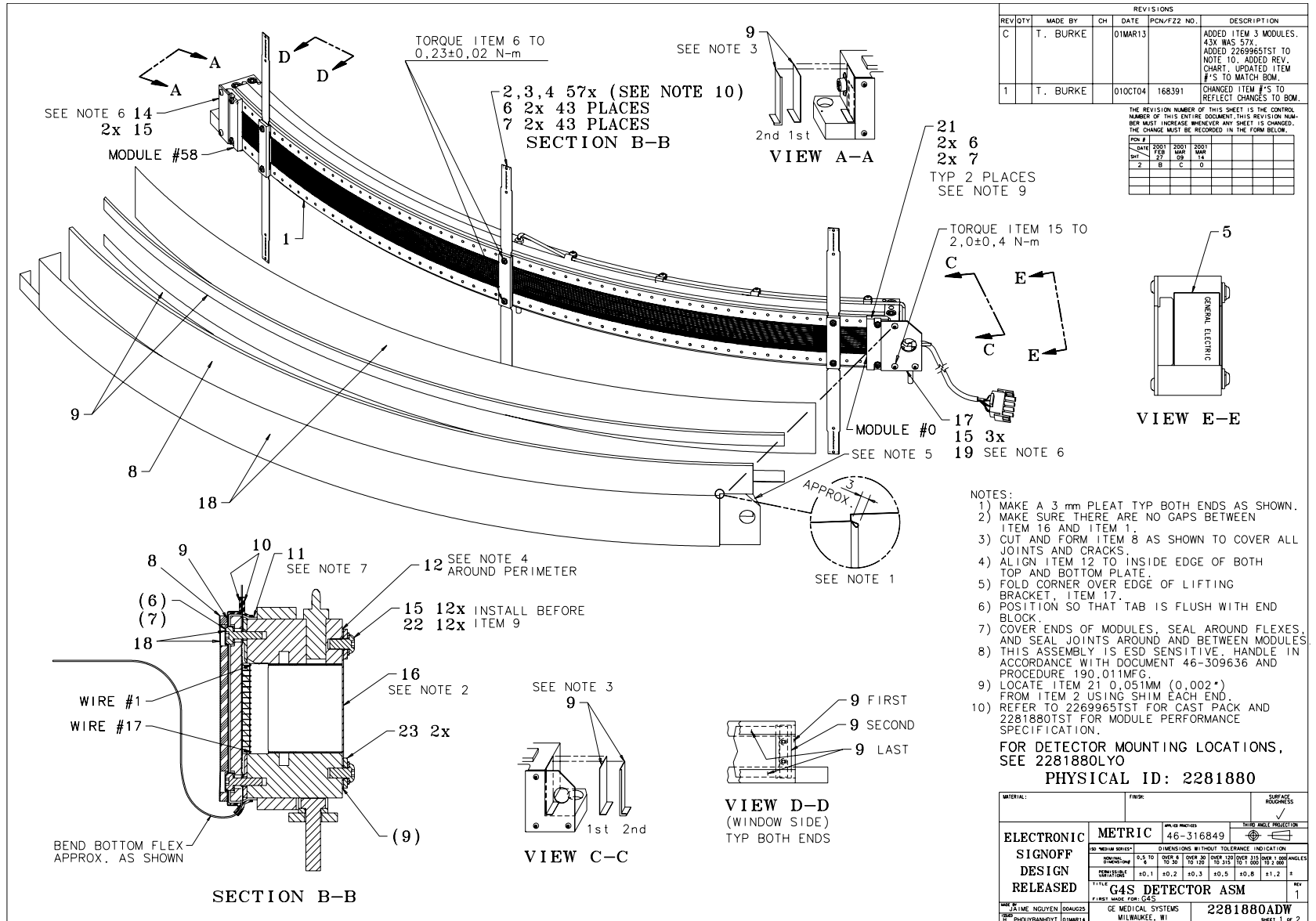


Figure 4-63 Detector Assembly - G4S (2281880, sheet 1, rev 1)

MARK	NUMBER	QTY	FRU	DESCRIPTION/NAME
AIL	2350590	—	Yes	SRV. THERMISTOR, 4 SLICE
1	2281882	1.000	No	G4S COLLIMATOR ASM
2	2281884-3	17.000	No	G4S "-3"MODULE ASM
3	2281884-2	15.000	No	G4S "-2"MODULE ASM
4	2281884-4	25.000	No	G4S "-4"MODULE ASM
5	46-302200P10	1.000	No	1.72 X 1.10, MODEL#, SN,
6	46-312577P6	118.000	No	SCREW
7	46-328430P9	118.000	No	WASHER PLAIN - NORMAL 3.2
8	2292409	1.000	No	P2034BG THERMO COVER
9	2221607	15.500	No	U0057BA TAPE, ALUMINUM
10	2196929-2	AR	No	ADHESIVE
11	2305521	60.000	No	SHIELD TAPE 3M 130C
12	2198236	AR	No	CONDUCTIVE ADHESIVE TRANS
14	2283251	1.000	No	G4S END BLOCK COVER
15	46-328420P1	17.000	No	SCREW BUTTON HEAD 4 MM 8
16	2273247	1.000	No	G4S CARBON WINDOW
17	2283253	1.000	No	G4S LIFTING BRACKET
18	2214897-2	2.200 M	No	TAPE, EMI HIGH FLEX WITH
19	46-170684P2	AR	No	LOCTITE 271, 10CC BOTTLE
21	2283252	2.000	No	G4S-DCS BLANK MODULE
22	46-328430P2	12.000	No	WASHER PLAIN - NORMAL 4.3
23	2250963	2.000	No	P9234DF BAND
2A	2281884	ALT	No	G4S MODULE ASM
3A	2281884-3	ALT	No	G4S "-3"MODULE ASM
4A	2281884-3	ALT	No	G4S "-3"MODULE ASM
<i>AIL</i>	2227349	—	No	DETECTOR SHIPPING CONTAINER

Table 4-41 G4S Detector Assembly (2281880 BOM, rev 05)

3.5.3 Detector Assembly (2258844)

FRU = YES

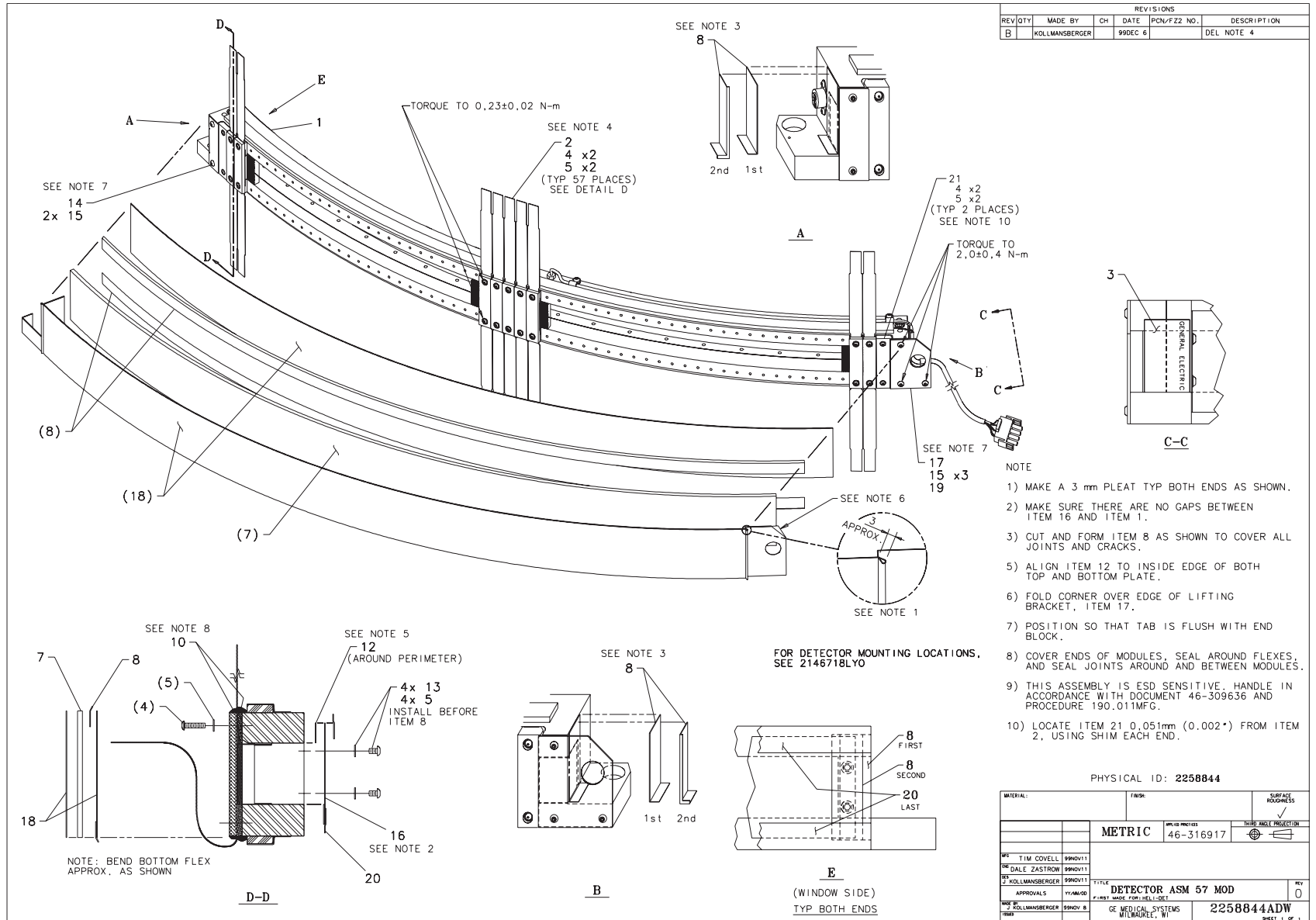


Figure 4-64 Detector Assembly (2258844, sheet 1, rev 0)

MARK	NUMBER	QTY	FRU	DESCRIPTION/NAME
AIL	2350590	—	Yes	SRV. THERMISTOR, 4 SLICE
1	2195322	1.000	No	COLLIMATOR ASSEMBLY
3	46-302200P10	1.000	No	1.72 X 1.10, MODEL#, SN,
4	46-170497P44	118.000	No	SCREW
5	1000904P532	122.000	No	.24 OD .114 ID .030 THK
7	2379092	1.000	No	FOAM SHEET-ESD ADH
8	46-170126P5	8.500 ft	No	PRESSURE SENSITIVE LEAD F
10	2196929	AR	No	ADHESIVE
12	2198236	AR	No	CONDUCTIVE ADHESIVE TRANS
13	46-328421P501	4.000	No	SCREW PAN HEAD 3 MM 5 MM
14	2137459	1.000	No	COVER FOR END BLOCK OF 94
15	46-328420P1	5.000	No	SCREW BUTTON HEAD 4 MM 8
16	2147195	1.000	No	CARBON WINDOW FOR HELIOS
17	2205408	1.000	No	LIFTING BRACKET
18	2214897-2	2.200 m	No	TAPE, EMI HIGH FLEX WITH
19	46-170686P2	AR	No	LOCTITE 242, 10CC
20	46-170126P6	7.000 ft	No	PRESSURE SENSITIVE LEAD F
21	2242776	2.000	No	BLANK MODULE
2A	2279920	57.000	No	6" MODULE ASM
2B	2146961	ALT	No	MODULE ASM FOR HELIOS
7A	2196891	ALT	No	FOAM SHEET
AIL	2227349	—	No	DETECTOR SHIPPING CONTAINER

Table 4-42 Detector Assembly (2258844 BOM, rev 3)

3.5.4 Detector Assembly (2146718)

FRU = YES

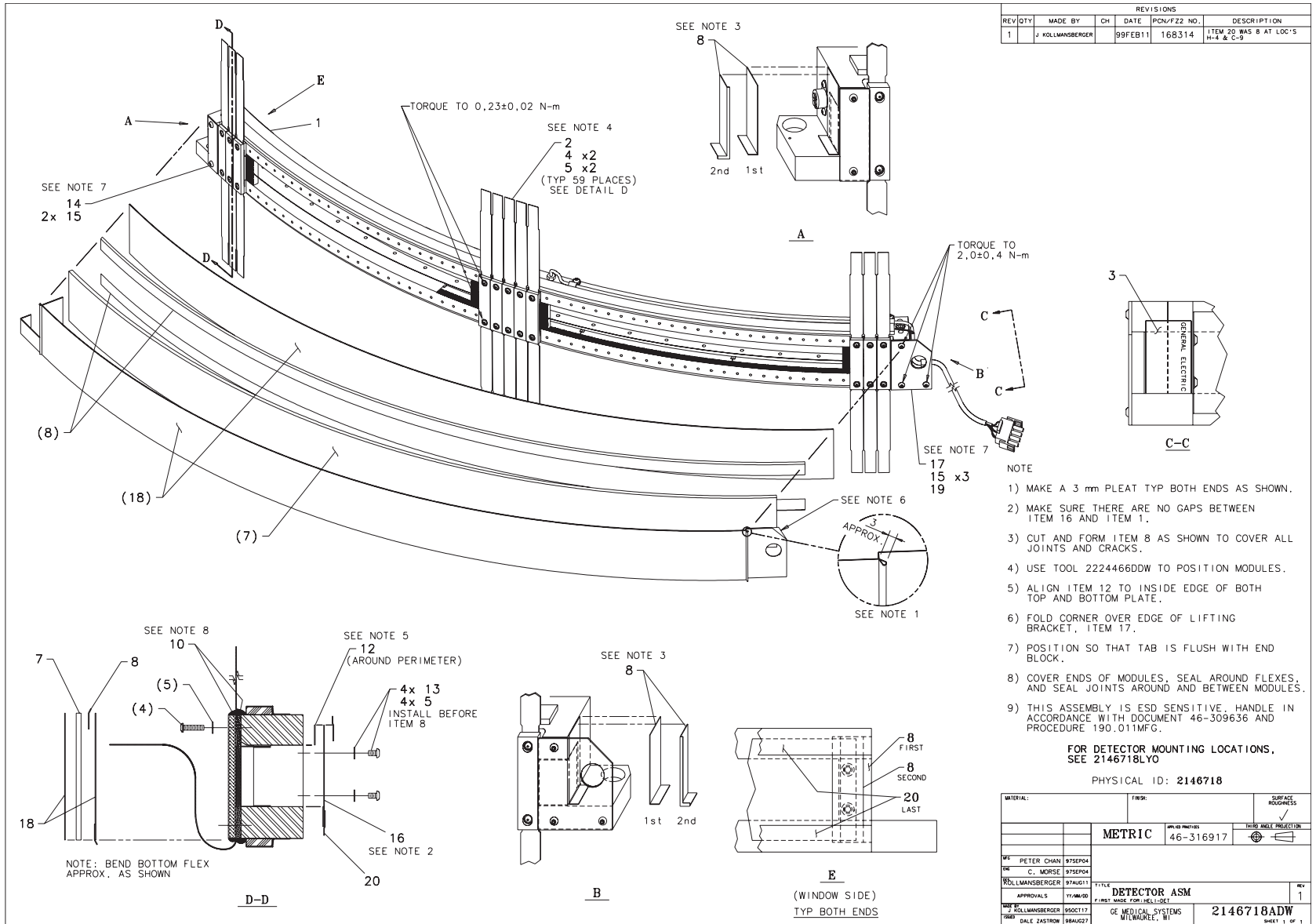


Figure 4-65 Detector Assembly (2146718, sheet 1, rev 1)

MARK	NUMBER	QTY	FRU	DESCRIPTION/NAME
1	2195322	1.000	No	COLLIMATOR ASSEMBLY
2	2146961	59.000	No	MODULE ASM FOR HELIOS
3	46-302200P10	1.000	No	1.72 X 1.10, MODEL#, SN,
4	46-170497P44	118.000	No	SCREW
5	1000904P532	122.000	No	.24 OD .114 ID .030 THK
7	2379092	1.000	No	FOAM SHEET-ESD ADH
7A	2196891	ALT	No	FOAM SHEET
8	46-170126P2	8.500 ft	No	PRESSURE SENSITIVE LEAD
10	2196929	AR	No	ADHESIVE
12	2198236	AR	No	CONDUCTIVE ADHESIVE TRANS
13	46-328421P501	4.000	No	SCREW PAN HEAD 3 MM 5 MM
14	2137459	1.000	No	COVER FOR END BLOCK OF 94
15	46-328420P1	5.000	No	SCREW BUTTON HEAD 4 MM 8
16	2147195	1.000	No	CARBON WINDOW FOR HELIOS
17	2205408	1.000	No	LIFTING BRACKET
18	2214897-2	2.200 m	No	TAPE, EMI HIGH FLEX WITH
19	46-170686P2	AR	No	LOCTITE 242, 10CC
20	46-170126P6	7.000 ft	No	PRESSURE SENSITIVE LEAD F
AIL	2227349	—	No	DETECTOR SHIPPING CONTAINER

Table 4-43 Detector Assembly (2146718 BOM, rev 4)

3.5.5 DAS Duct Fan/Filter Asm (2252888-2)

FRU = NO

USED ON:
 2227967

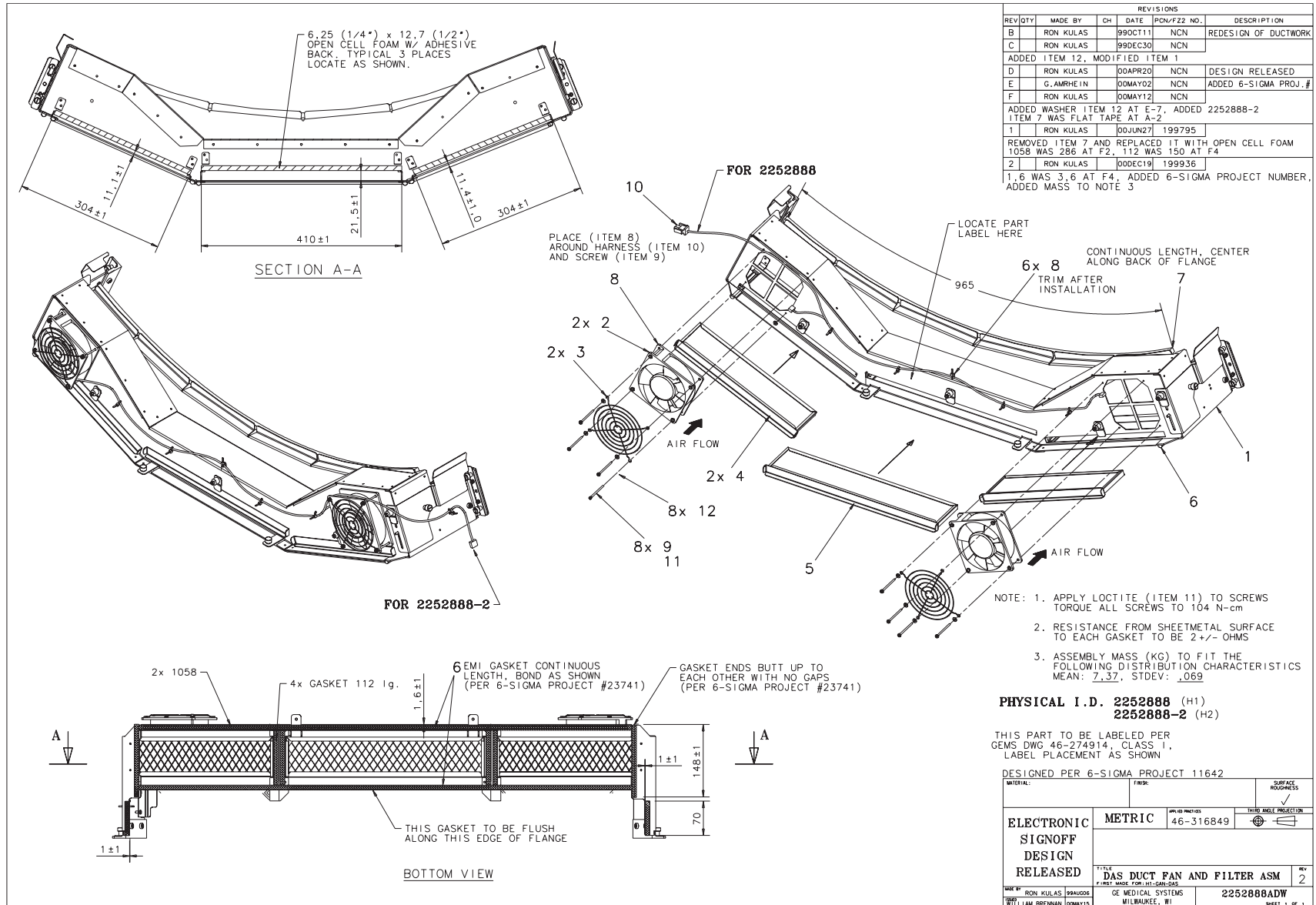


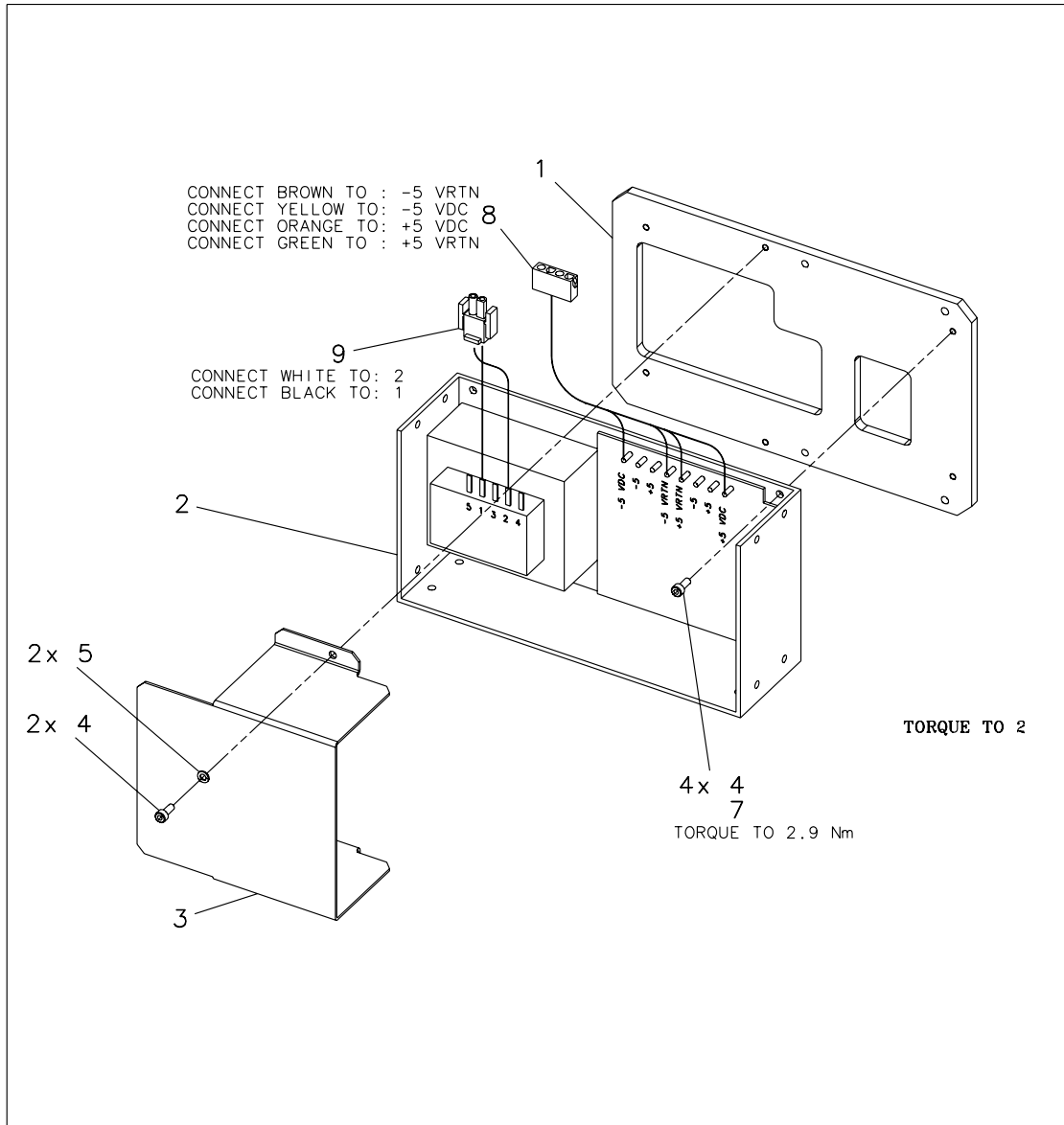
Figure 4-66 DAS Duct Fan/Filter Asm (2252888, sheet 1, rev 2)

MARK	NUMBER	QTY	FRU	DESCRIPTION/NAME
2	46-220248P3	2.000	Yes	FAN: TUBE AXIAL, 115CFM,
4	2252889-2	2.000	Yes	DAS DUCT L/R FILTER
5	2252889	1.000	Yes	DAS DUCT CENTER FILTER
8	46-208758P10	6.000	Yes	8.00" X .094" SELF-LOCKING
10	2235148	1.000	Yes	DAS DUCT FAN HARNESS HELI
1	2252887	1.000	No	DAS DUCT
3	46-403307P1	2.000	No	FAN ACCESSORIES FINGER GU
6	2216471	AR	No	EMI/RFI GASKET TAPE, WIRE
7	2216470	AR	No	EMI/RFI GASKET TAPE, WIRE
9	46-328417P79	8.000	No	SCREW HEXAGON SOCKET 3 MM
11	46-170686P2	AR	No	LOCTITE 242, 10CC
12	46-328430P2	8.000	No	WASHER PLAIN - NORMAL 4.3

Table 4-44 DAS Duct Fan/Filter Asm (2252888-2 BOM, rev 2)

3.6 Power Supply - CC Case (2225214)

FRU = YES



REVISIONS						
REV	QTY	MADE BY	CH	DATE	PCN/F22 NO.	DESCRIPTION
B		GENE GRUBER		99NOV05	NCN	
ADDED CALLOUT AT D1 - WAS 6x 4 AT D5 - ADDED ITEMS 8 AND 9 - UPDATED PIC ITEMS 1 AND 3						
C		RANDY WENDT		00MAY22	NCN	ADD NOTES 1 AND 2
D		PHILL COY		00JUN08	NCN	DESIGN RELEASED.
1		JAIME LEHRER		01AUG02	220193	OMIT 4x 6 & 7 AT B5

NOTES:

- 1) SOLDER HARNESSES/CABLES (ITEMS 8 & 9) PER IPC-A-610C CLASS 2 AS SHOWN.
- 2) ASSEMBLY MASS (Kg) TO FIT THE FOLLOWING DISTRIBUTION CHARACTERISTICS:
 MEAN TBD
 STD DEVIATION TBD

THIS PART TO BE LABELED PER
 GEMS DWG 46-274914, CLASS 1,
 LABEL CANNOT BE ON PART

PHYSICAL I.D. 2225214 +/-5V ANALOG

MATERIAL:		FINISH:		SURFACE ROUGHNESS	
ELECTRONIC SIGNOFF DESIGN RELEASED		METRIC		APR/ID PRACTICES 46-316849	
TITLE POWER SUPPLY ASM CC CASE		REV 1		THIRD ANGLE PROJECTION	
MADE BY RON KULAS 98SEP 1		GE MEDICAL SYSTEMS MILWAUKEE, WI		2225214ADW	
DRAWN THOMAS R. MURRY 00JUN23				SHEET 1 OF 1	

Figure 4-67 Power Supply - CC Case (2225214, sheet 1, rev 1)

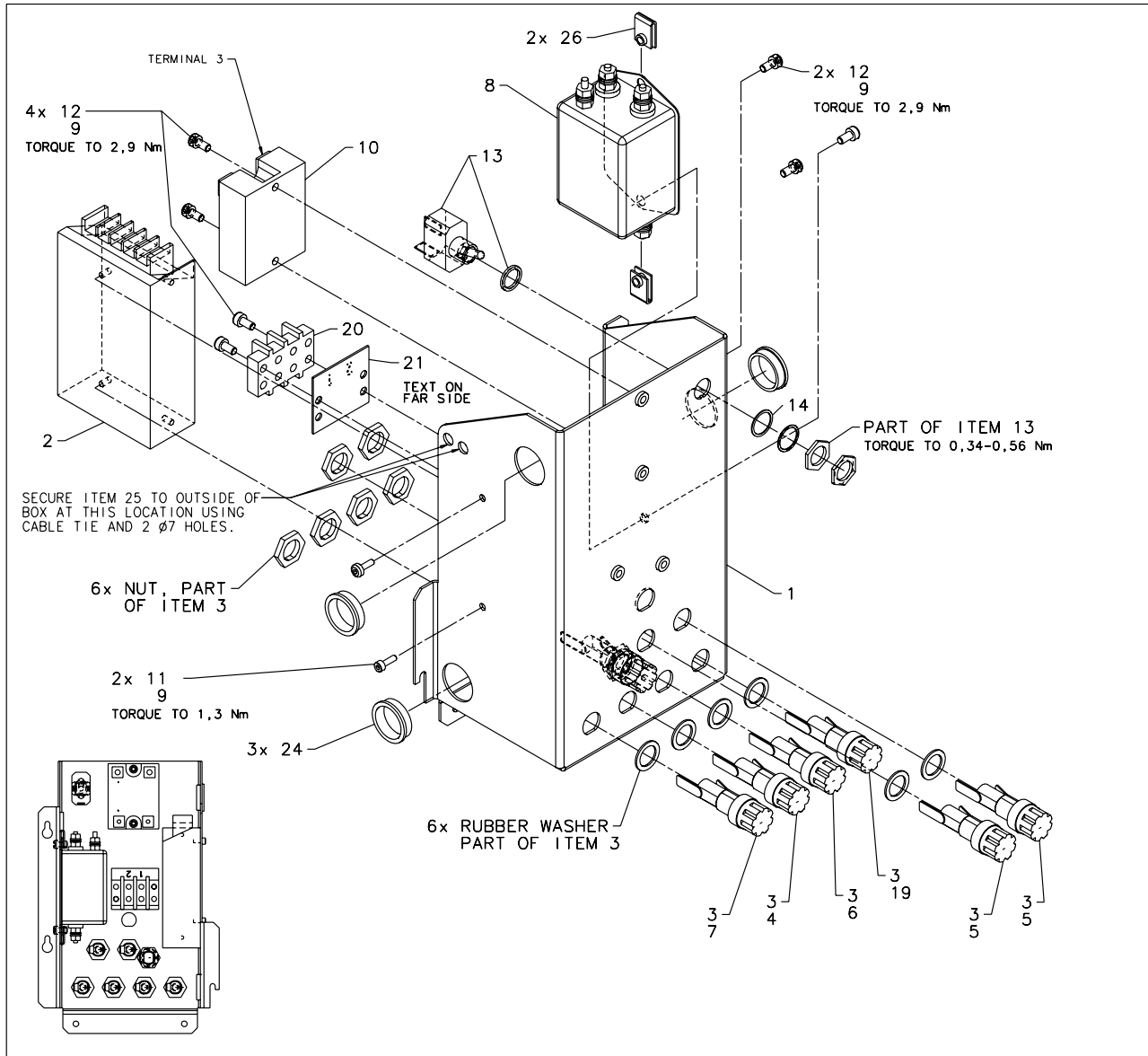
MARK	NUMBER	QTY	FRU	DESCRIPTION/NAME
1	2225223	1.000	No	PLATE SPACER POWER SUPPLY
2	46-251198P46	1.000	No	POWER SUPPLY 120 VOLTS 6 AMPS 5 VOLT
3	2225222	1.000	No	GUARD COVER POWER SUPPLY
4	46-328417P3	6.000	No	SCREW HEXAGON SOCKET 4 MM
5	46-328430P2	2.000	No	WASHER PLAIN - NORMAL 4.3 MM 9 MM
7	46-170686P3	AR	No	LOCTITE 242, 50CC
8	2263289	1.000	No	HARNESS - POWER SUPPLY, +/-5VDC
9	2263291	1.000	No	HARNESS - AC POWER SUPPLY JUMPER

Table 4-45 Power Supply Asm - CC Case (2225214 BOM, rev 2)

3.7 Fuse Box/Switch Box Asm (2226506)

FRU = NO

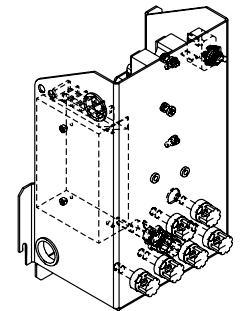
USED ON:
2260618



REVISIONS						
REV/DTY	MADE BY	CH	DATE	PCN/FZZ NO.	DESCRIPTION	
B	RON KULAS		99MAY19	NCN		
UPDATED GRAPHICS						
C	JOE LOBUE		99NOV09	NCN		
UPDATED GRAPHICS; ADDED SHEET 2						
D	PHILL GOY		00JAN04	NCN		
UPDATED GRAPHICS; CHANGED SCREW QUANTITIES, ADDED REVISION CONTROL BOX TO DWG, SHEET 2 ON GPCP.						
E	JAIME LEHRER		00MAY31	NCN		
DESIGN RELEASED, UPDATE TO INCLUDE NEW COMPONENTS						
F	D. J. DYMEK		00JUN26	NCN		
ADDED 4x 12 9 WAS 2x B1, ITEM 25 WAS 1B D1.						
1	RON KULAS		01DEC03	220332		
REVISED SHT 2						

THE REVISION NUMBER OF THIS SHEET IS THE CONTROL NUMBER OF THIS ENTIRE DOCUMENT. THIS REVISION NUMBER MUST INCREASE WHENEVER ANY SHEET IS CHANGED. THE CHANGE MUST BE RECORDED IN THE FORM BELOW.

REV #	NOV	NOV	NOV	220332
DATE	2000	2000	2000	2001
SHT	11	26	30	33
2	0	F	0	1

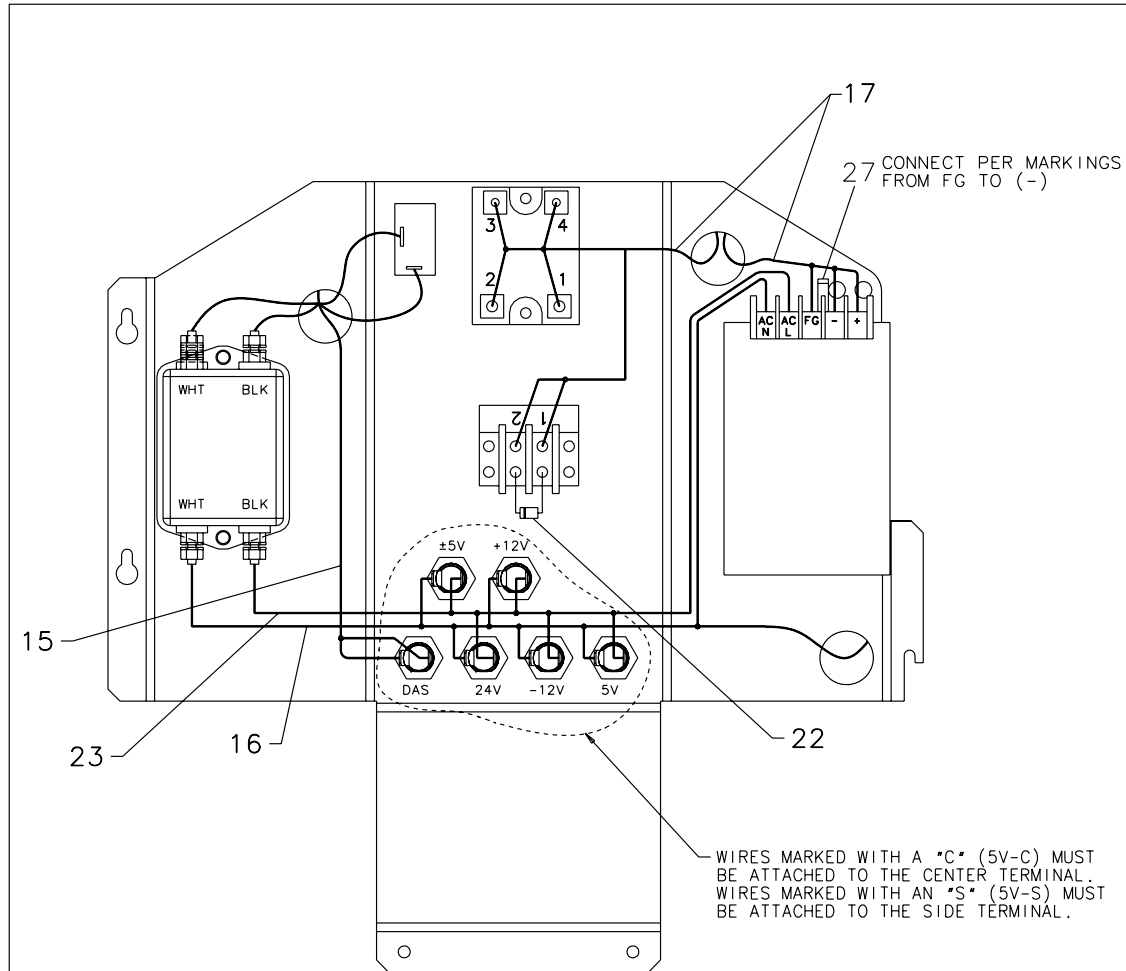


PHYSICAL ID: 2226506

THIS PART TO BE LABELED PER GEMS DWG 46-274914, CLASS 1, LABEL PLACEMENT NOT CRITICAL

MATERIAL:	FIBRE:	SURFACE FINISH:
		✓
ELECTRONIC SIGNOFF DESIGN RELEASED	METRIC	INSPECTION: 46-316849
TITLE: FUSE BOX/SWITCH BOX ASM	REV: 1	
MADE BY: RON KULAS (08SEP21)	GE MEDICAL SYSTEMS MILWAUKEE, WI	2226506ADW
THOMAS R. MURPHY (00JUN03)		SHEET 1 OF 2

Figure 4-68 Fuse Box/Switch Box Asm (2226506, sheet 1, rev 1)



INSIDE VIEW OF BOX
 SHOWN FOLDED OPEN

REVISIONS						
REV	QTY	MADE BY	CH	DATE	PCN/FZ2 NO.	DESCRIPTION
E		JAIME LEHRER		00MAY31	NCN	
REDRAW AS WIRING DIAGRAM, WAS SCHEMATIC						
F		D. J. DYMEK		00JUN26	NCN	
SEE SHT 1.						
1		RON KULAS		01DEC04	220332	
ADDED 27 AND NOTE AT A5						

MATERIAL:		FINISH:		SURFACE ROUGHNESS		
				✓		
		APPLIED PRACTICES		THIRD ANGLE PROJECTION		
		METRIC 46-316849				
TITLE						REV
FUSE BOX/SWITCH BOX ASM						1
FIRST MADE FOR: HELI-GAN-DAS						
MADE BY		DATE		PART NO.		
JOE LOBUE 99NOV09		GE MEDICAL SYSTEMS		2226506ADW		
THOMAS R. MURRY 00JUN30		MILWAUKEE, WI		SHEET 2 OF 2		

Figure 4-69 Fuse Box/Switch Box Asm (2226506, sheet 2, rev 1)

MARK	NUMBER	QTY	FRU	DESCRIPTION/NAME
2	2205268	1.000	Yes	POWER SUPPLY 15V DC 1.7 A
4	46-170021P30	1.000	Yes	2.0A, 250V SLO-BLO FUSE.
5	46-170021P52	2.000	Yes	003.000A 0250V 3AG
6	46-170021P10	1.000	Yes	006.000A 0250V 3AG
7	46-170021P60	1.000	Yes	6.25A, 250V SLO-BLO FUSE
8	46-297335P3	1.000	Yes	16A, 250V 2-STAGE PWR LINE FILTER
10	2276562	1.000	Yes	RELAY 5 AMPS 3 VOLTS 1 VOLTS
13	46-136343P12	1.000	Yes	SPST, ON-NONE-OFF TOGGLE SWITCH
15	2260623	1.000	Yes	120V FUSE BOX POWER HARNESS
16	2260620	1.000	Yes	DAS FUSE ASSEMBLY
17	2275956	1.000	Yes	FUSE BOX/OBC/DCB/DAS/RF/FIBER OPTIC {For further detail, see Section 3.7.1 , beginning on page 302 .}
19	46-170021P15	1.000	Yes	008.000A 0250V 3AB
27	2305982	1.000	Yes	RESISTOR ASM
1	2225235	1.000	No	BRACKET FUSE/FILTER
3	46-170042P26	6.000	No	20A, 250V PANEL-MOUNT FUSEHOLDER
9	46-170686P3	AR	No	LOCTITE 242, 50CC
11	46-328417P74	2.000	No	SCREW HEXAGON SOCKET 3 MM
12	46-328417P2	6.000	No	SCREW HEXAGON SOCKET 4 MM
14	46-208601P11	1.000	No	SCREW SIZE 7/16 INTERNAL TOOTH
20	46-311711P1	1.000	No	KULKA VENDOR P/N 601-2
21	2275174	1.000	No	INSULATOR FISHPAPER
22	2270462	1.000	No	SOLID STATE RELAY PROTECTION
23	2275690	1.000	No	HARANESS, FUSE INPUT
24	2272992-16	3.000	No	SHORT 19,0 ID FOR 22,2
25	46-208758P2	1.000	No	5.5" X .140" SELF-LOCKING CABLE TIE.
26	2180698	2.000	No	NUT CLIP ON 4 MM

Table 4-46 Fuse Box Switch Box (2226506 BOM, rev 3)

This Page Intentionally Blank.

3.7.1 Harness (2275956)

FRU = YES

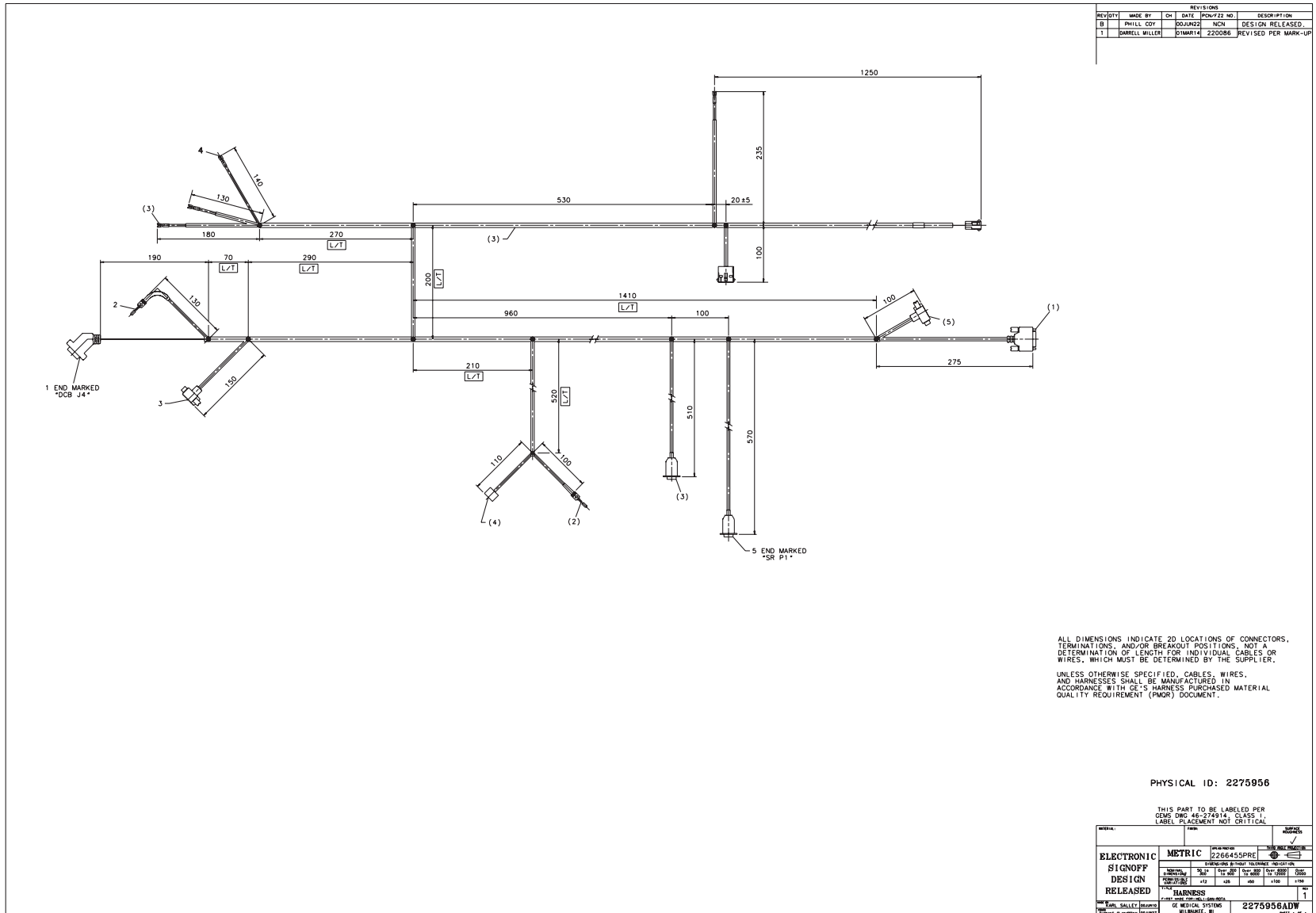


Figure 4-70 Harness (2275956, sheet 1, rev 1)

MARK	NUMBER	QTY	FRU	DESCRIPTION/NAME
2	2117848-5	1.000	Yes	1250 +/- 20 FIBER OPTIC C
1	2261062	1.000	No	COLLIMATOR TO DCB CAN CAB
3	2260622	1.000	No	OBC-DCB-DET INTERCONNECT
4	2260621	1.000	No	RF TRANSMITTER POWER CABL
5	2302147	1.000	No	CABLE - OBC-S/R COMMUNICATION
6	46-208759P4	AR	No	13.93"X .301" SELF-LOCKING

Table 4-47 Harness (2275956 BOM, rev 2)

3.8 Pwr Supply Assembly, Right Side (2225209)

FRU = NO

USED ON:
 2260618

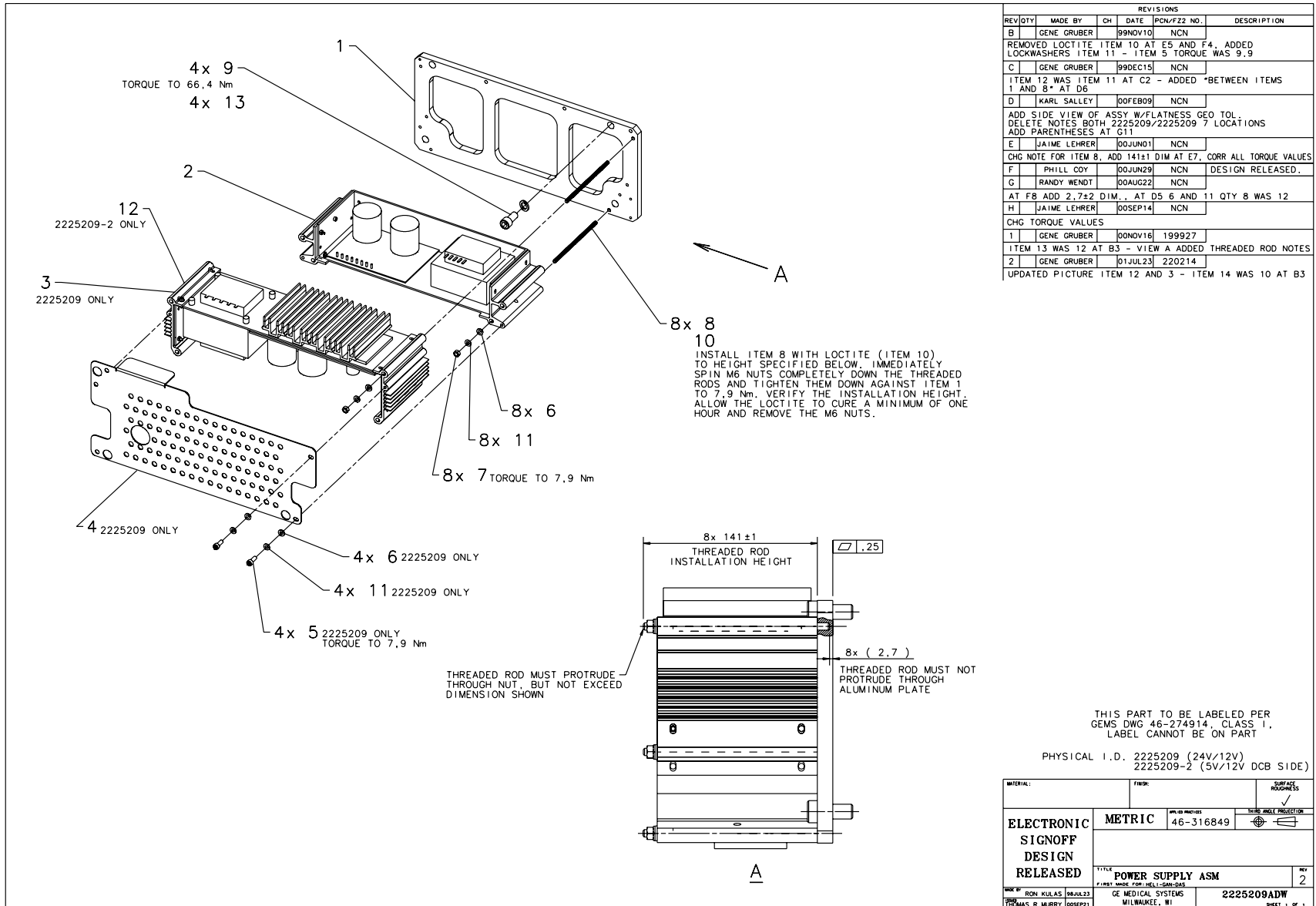


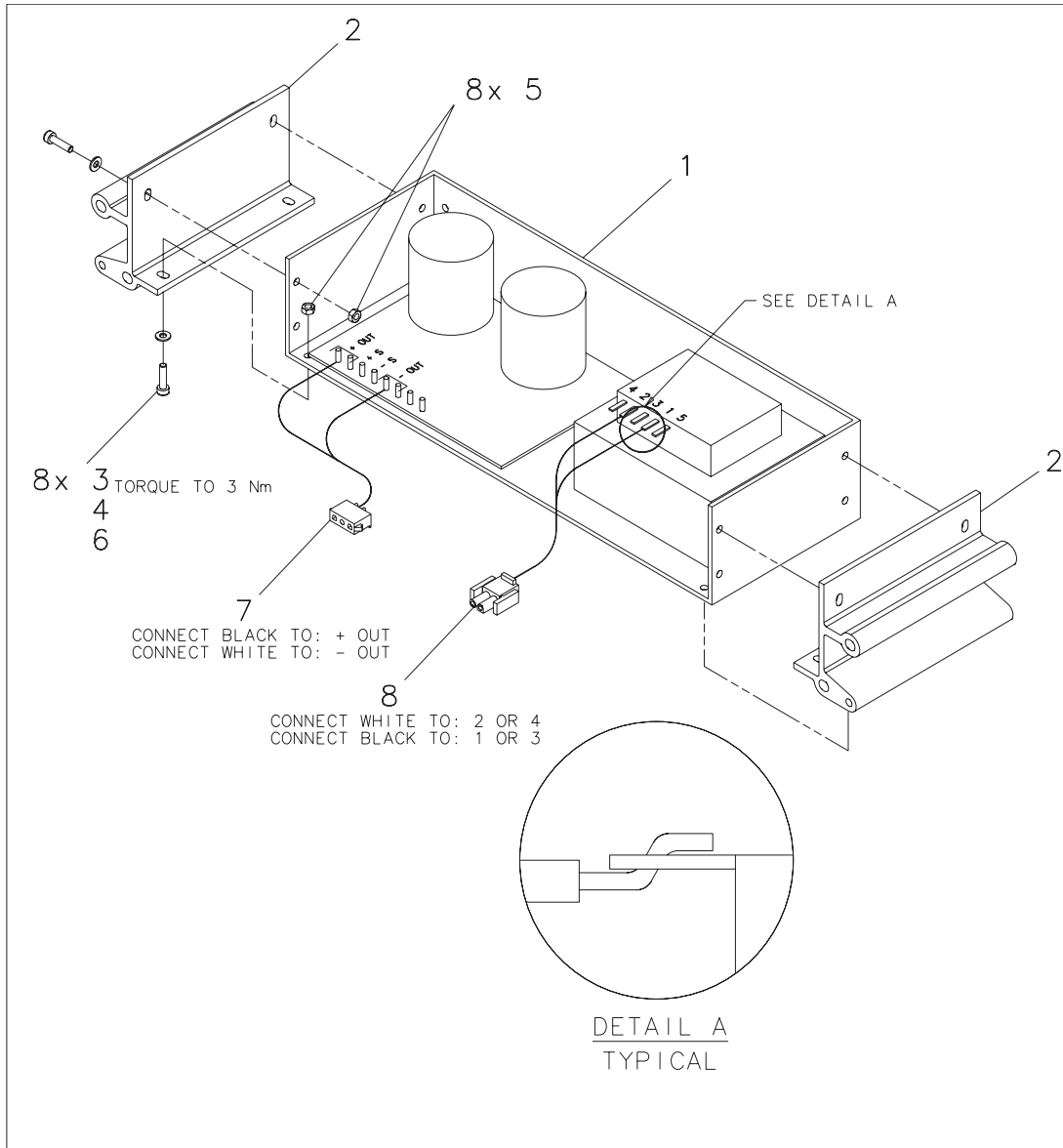
Figure 4-71 Pwr Supply Assembly, Right Side (2225209, sheet 1, rev 2)

MARK	NUMBER	QTY	FRU	DESCRIPTION/NAME
2	2225217	1.000	Yes	POWER SUPPLY 12VDC ASM E-CASE {For further detail, see Section 3.8.1 , beginning on page 306 .}
3	2225212-4	1.000	Yes	POWER SUPPLY ASM, 24V F-CASE {For further detail, see Section 3.8.2 , beginning on page 308 .}
1	2225231	1.000	No	PLATE MOUNTING POWER SUPPLY
4	2225224	1.000	No	COVER, POWER SUPPLY
5	46-328417P13	4.000	No	SCREW HEXAGON SOCKET 6 MM 16 MM
6	2236649-2	12.000	No	WASHER SPECIAL FLAT 6,4 MM 12 MM
7	46-328425P2	8.000	No	NUT HEXAGON 6 MM
8	2260482	8.000	No	ROD - THREADED M6 X 151LG
9	46-328417P65	4.000	No	SCREW HEXAGON SOCKET 12 M
10	46-170685P1	AR	No	LOCTITE 609 RETAINING COM
11	46-328432P3	12.000	No	WASHER LOCK - SPRING 6.1 MM 11.8 MM
13	2275713-8	4.000	No	WASHER, FLAT NON STD FOR
14	46-170684P2	AR	No	LOCTITE 271, 10CC BOTTLE

Table 4-48 DAS Power Supply Right Side (2225209 BOM, rev 2)

3.8.1 Power Supply Asm. E Case (2225217)

FRU = YES



REVISIONS					
REV/ QTY	MADE BY	CH	DATE	PCN/FZZ NO.	DESCRIPTION
B	RON KULAS		98DEC22	NCN	
ADDED ITEMS 4 AND 5					
C	GENE GRUBER		99NOV10	NCN	
REMOVED 8 WASHERS ITEM 4 - REVERSED DIRECTION OF SCREWS ITEM 3 - ADDED ITEMS 7 AND 8					
D	KARL SALLEY		00FEB09	NCN	
ADD PARENTHESES AROUND ± VOLT SUPPLY					
E	PHILL COY		00MAY04	NCN	
DESIGN RELEASED.					
F	RANDY WENDT		00MAY22	NCN	ADD NOTES 1 AND 2
G	PHILL COY		00JUN12	NCN	ADDED DETAIL A.

NOTES:

- 1) SOLDER HARNESSES/CABLES (ITEMS 7 & 8) PER IPC-A-610C CLASS 2 AS SHOWN.
- 2) ASSEMBLY MASS (Kg) TO FIT THE FOLLOWING DISTRIBUTION CHARACTERISTICS:
 MEAN TBD
 STD DEVIATION TBD

THIS PART TO BE LABELED PER GEMS DWG 46-274914, CLASS 1, LABEL CANNOT BE ON PART

PHYSICAL ID: 2225217 (±12 VOLT SUPPLY)

MATERIAL:		FINISH:		SURFACE ROUGHNESS	
ELECTRONIC		METRIC		APPLIED PRACTICES 46-316849	
SIGNOFF		THIRD ANGLE PROJECTION			
DESIGN		TITLE POWER SUPPLY ASM. E-CASE		REV 0	
RELEASED		FIRST MADE FOR: HELL-GAN-DAS			
MADE BY RON KULAS 98JUL22		GE MEDICAL SYSTEMS		2225217ADW	
THOMAS R. MURRY 00JUN17		MILWAUKEE, WI		SHEET 1 OF 1	

Figure 4-72 Power Supply Asm. E Case (2225217, sheet 1, rev 0)

MARK	NUMBER	QTY	FRU	DESCRIPTION/NAME
1	46-251198P48	1.000	No	POWER SUPPLY 12 VOLTS DC
2	2225230	2.000	No	EXTRUSION POWER SUPPLY E-CASE
3	46-328417P4	8.000	No	SCREW HEXAGON SOCKET 4 MM
4	46-328430P2	8.000	No	WASHER PLAIN - NORMAL 4.3 MM 9 MM
5	46-328425P1	8.000	No	NUT HEXAGON 4 MM
6	46-170684P2	AR	No	LOCTITE 271, 10CC BOTTLE
7	2263290	1.000	No	HARNESS - POWER SUPPLY, +12/-12VDC
8	2263291	1.000	No	HARNESS - AC POWER SUPPLY JUMPER

Table 4-49 Power Supply Asm E-Case (2225217 BOM, rev 1)

3.8.2 Power Supply Asm, 24V F-Case (2225212-4)

FRU = YES

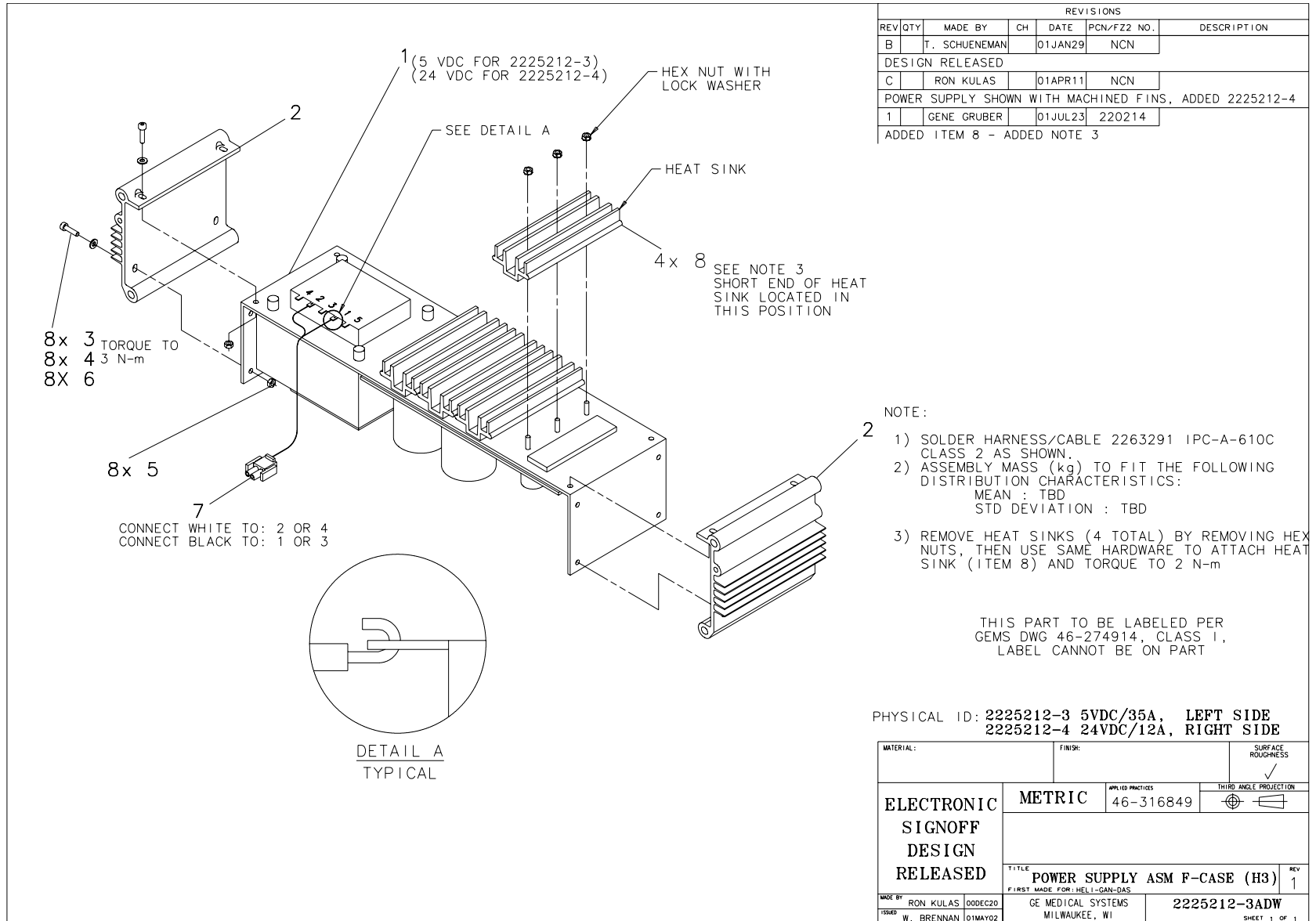


Figure 4-73 Power Supply Asm F-Case (2225212-3, sheet 1, rev 1)

MARK	NUMBER	QTY	FRU	DESCRIPTION/NAME
1	46-251198P53	1.000	No	POWER SUPPLY 12 AMPS 24 V
2	2225225	2.000	No	EXTRUSION POWER SUPPLY
3	46-328417P4	8.000	No	SCREW HEXAGON SOCKET 4 MM
4	46-328430P2	8.000	No	WASHER PLAIN - NORMAL 4.3
5	46-328425P1	8.000	No	NUT HEXAGON 4 MM
6	46-170684P2	AR	No	LOCTITE 271, 10CC BOTTLE
7	2263291	1.000	No	HARNESS - AC POWER SUPPLY
8	2301796	4.000	No	HEAT SINK, POWER SUPPLY

Table 4-50 Power Supply Asm, 24V F-Case (2225212-4 BOM, rev 1)

3.9 Pwr Supply Assembly, Left (DCB) Side (2225209-2)

FRU = NO

USED ON:
 2260618

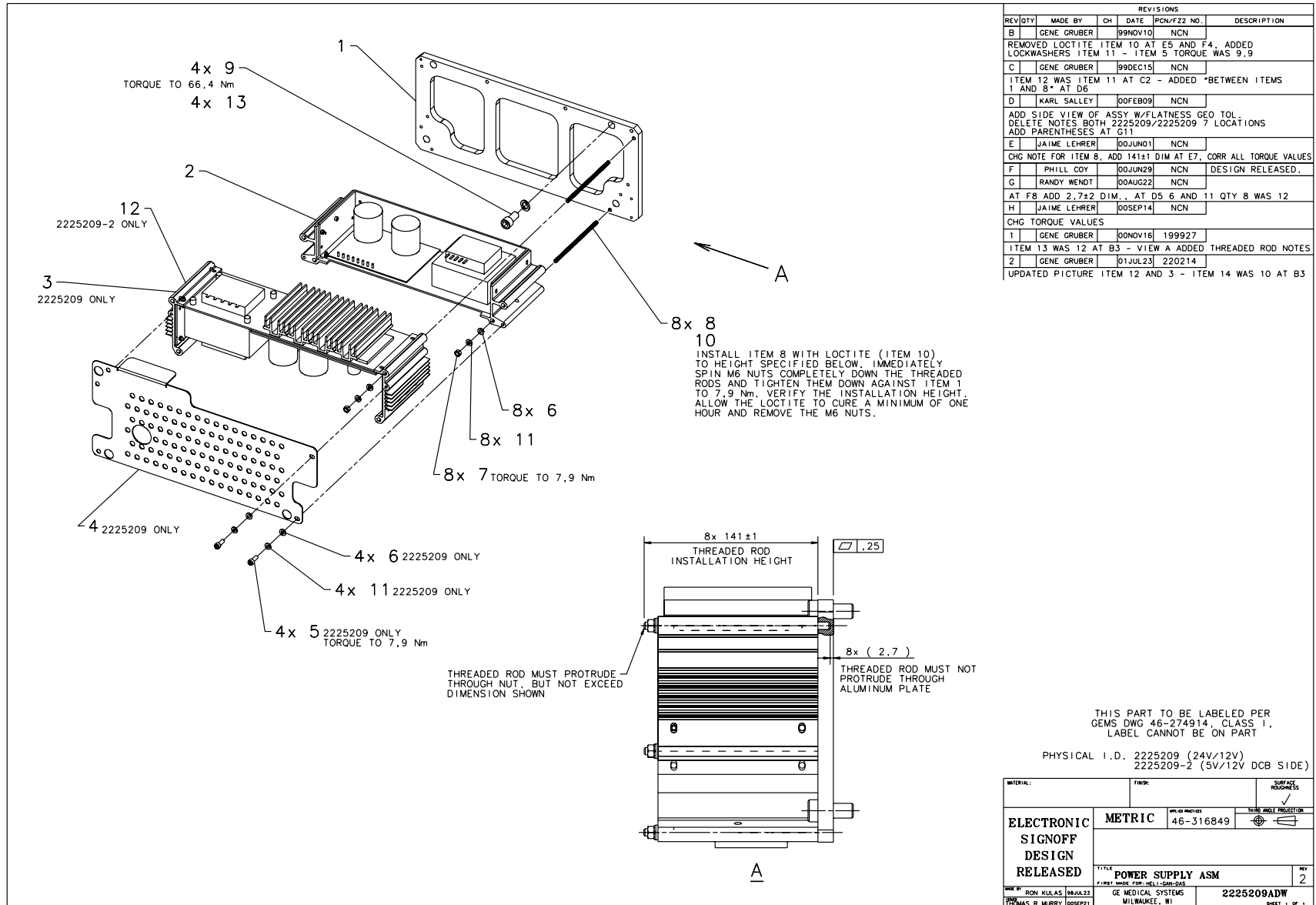


Figure 4-74 Pwr Supply Assembly, Left (DCB) Side (2225209, sheet 1, rev 2)

MARK	NUMBER	QTY	FRU	DESCRIPTION/NAME
2	2225217	1.000	Yes	POWER SUPPLY ASM E-CASE {For further detail, see Section 3.8.1 , beginning on page 306.}
12	2225212-3	1.000	Yes	PWR SUPPLY 5VDC ASM, F-CASE {For further detail, see Section 3.9.1 , beginning on page 312.}
1	2225231	1.000	No	PLATE MOUNTING POWER SUPPLY
6	2236649-2	8.000	No	WASHER SPECIAL FLAT 6,4 M
7	46-328425P2	8.000	No	NUT HEXAGON 6 MM
8	2260482	8.000	No	ROD - THREADED M6 X 151LG
9	46-328417P65	4.000	No	SCREW HEXAGON SOCKET 12 M
10	46-170685P1	AR	No	LOCTITE 609 RETAINING COM
11	46-328432P3	8.000	No	WASHER LOCK - SPRING 6.1
13	2275713-8	4.000	No	WASHER, FLAT NON STD FOR
14	46-170684P2	AR	No	LOCTITE 271, 10CC BOTTLE

Table 4-51 Pwr Supply Assembly, Left (DCB) Side (2225209-2 BOM, rev 2)

3.9.1 Power Supply 5VDC Asm, F-Case (2225212-3)

FRU = YES

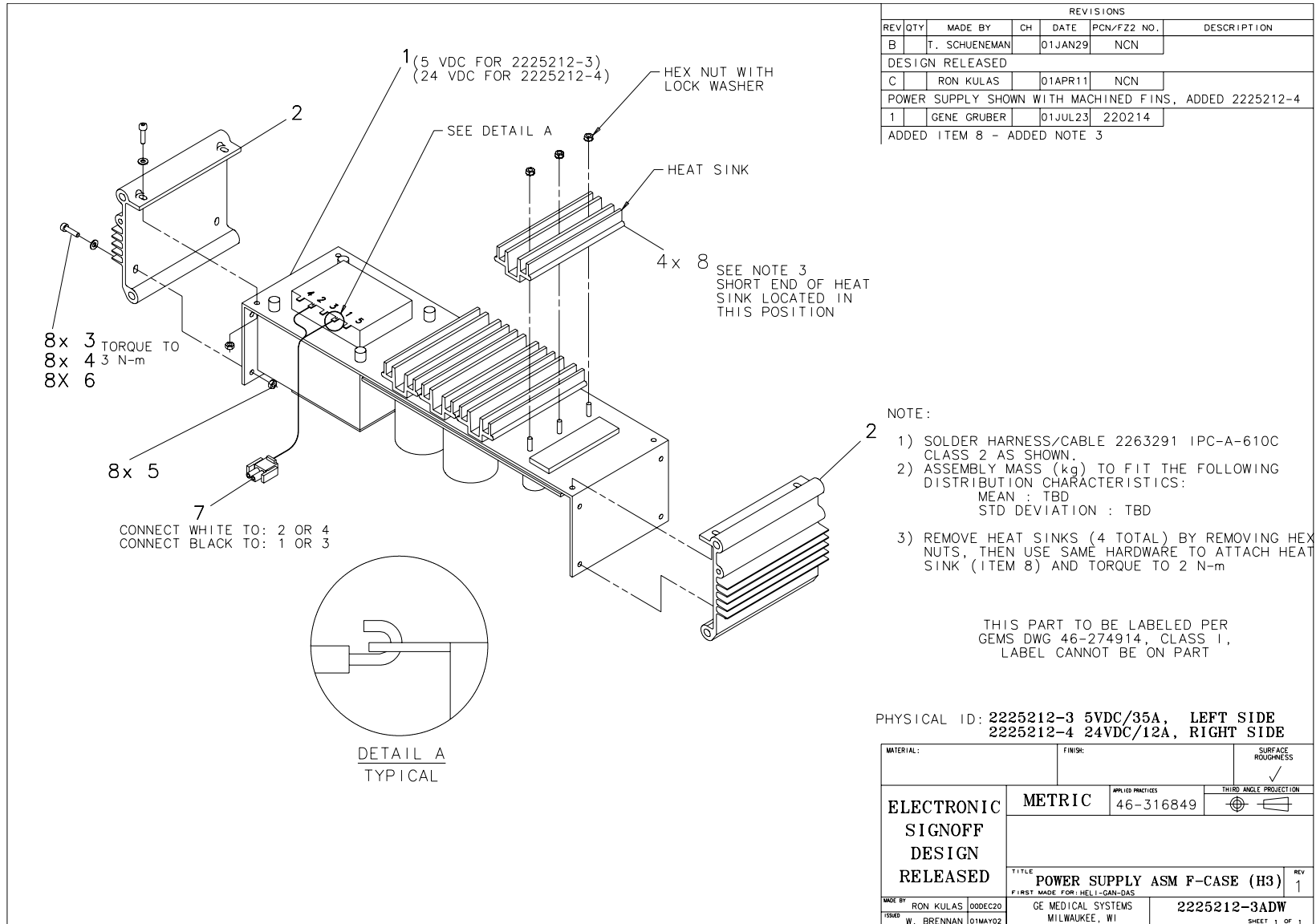


Figure 4-75 Power Supply Asm F-Case (2225212-3, sheet 1, rev 1)

MARK	NUMBER	QTY	FRU	DESCRIPTION/NAME
1	46-251198P52	1.000	No	PWR SPLY 120V INPUT, 5V/3
2	2225225	2.000	No	EXTRUSION POWER SUPPLY
3	46-328417P4	8.000	No	SCREW HEXAGON SOCKET 4 MM
4	46-328430P2	8.000	No	WASHER PLAIN - NORMAL 4.3
5	46-328425P1	8.000	No	NUT HEXAGON 4 MM
6	46-170684P2	AR	No	LOCTITE 271, 10CC BOTTLE
7	2263291	1.000	No	HARNESS - AC POWER SUPPLY
8	2301796	4.000	No	HEAT SINK, POWER SUPPLY

Table 4-52 Power Supply 5VDC Asm, F-Case (2225212-3 BOM, rev 1)

3.10 OBC Interconnect - Right (2240779)

FRU = YES

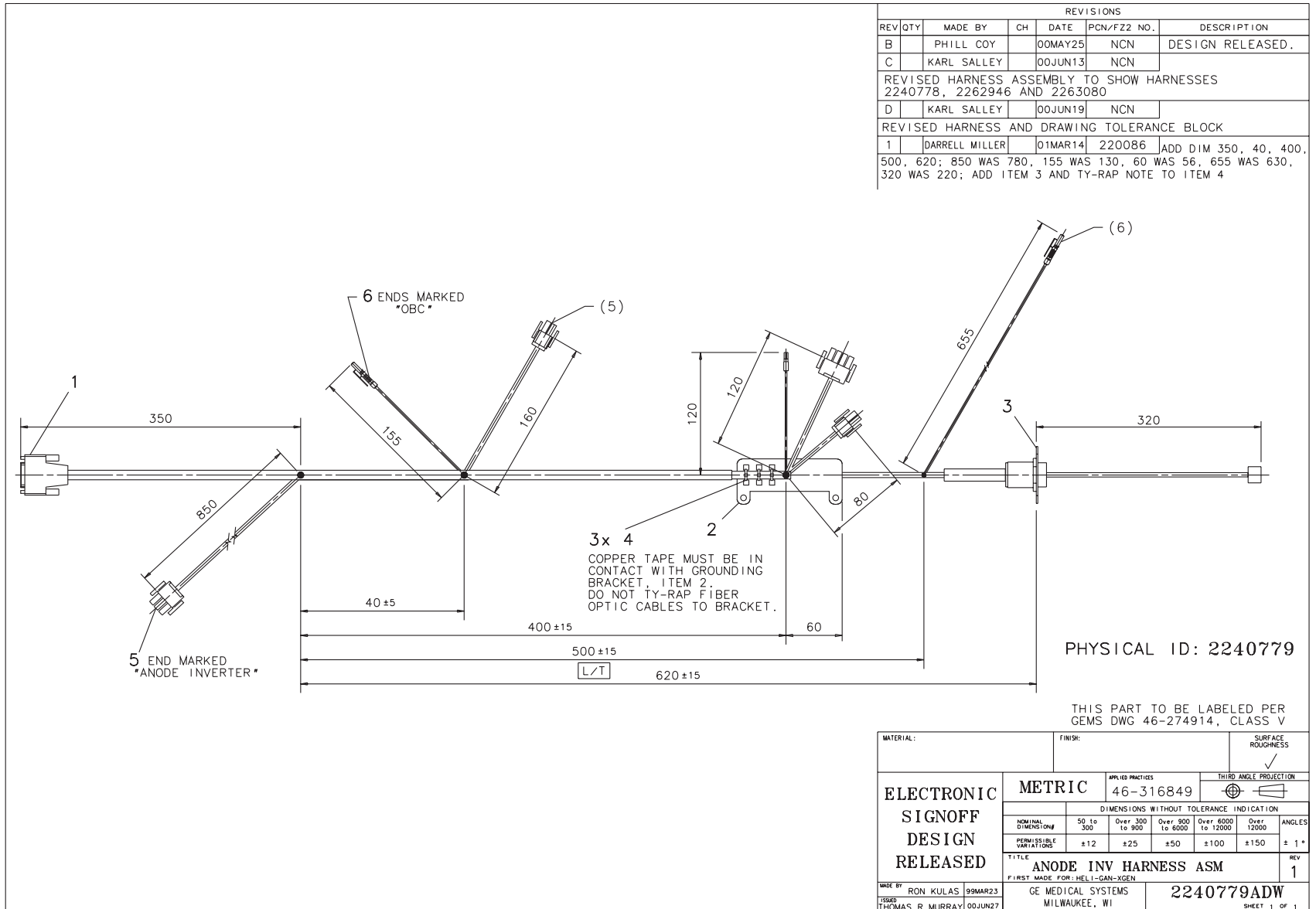


Figure 4-76 OBC Interconnect - Right (2240779, sheet 1, rev 1)

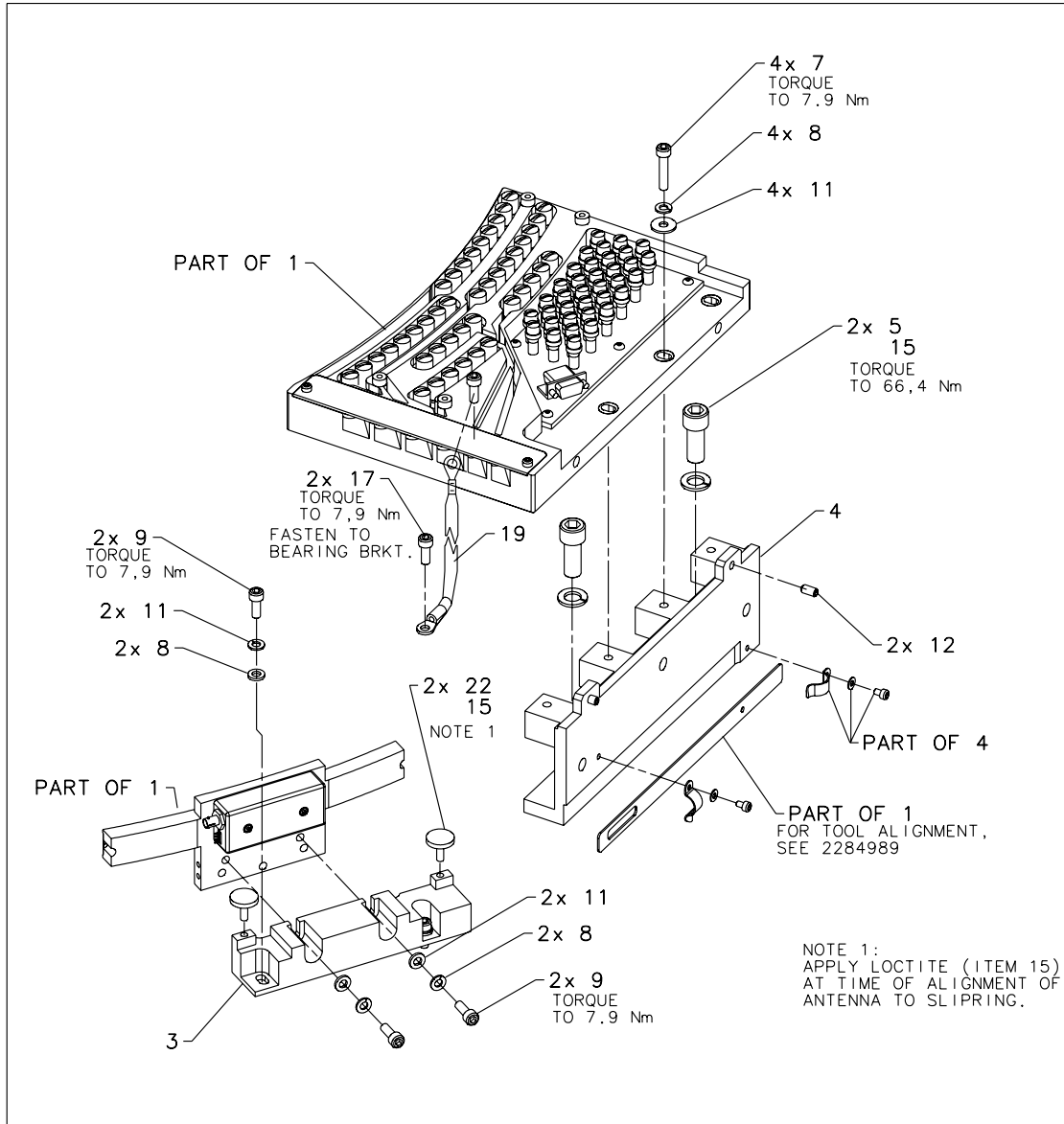
MARK	NUMBER	QTY	FRU	DESCRIPTION/NAME
6	2263080	1.000	Yes	HARNESS - ANODE INV - OBC FIBR OPTIC
1	2240778	1.000	No	ANODE INVERTER_HARNESS
2	2113768	1.000	No	EMC PROJECT/BRD HV TANK/GND CBL BRKT
3	2118838	1.000	No	EMC PROJECT/GANTRY FRAME/CBLE BLKHD
4	46-208758P2	3.000	No	5.5" X .140" SELF-LOCKING CABLE TIE.
5	2262946	1.000	No	HARNESS, 120VAC ANODE INV POWER

Table 4-53 OBC Interconnect - Right (2240779 BOM, rev 1)

MARK	NUMBER	QTY	FRU	DESCRIPTION/NAME
9	2263081	1.000	Yes	HARNESS-CATHODE INV-OBC FIBER OPTIC
1	2243911	1.000	No	CATHODE INV/MEASURE HARNESS H2
2	2113768	1.000	No	EMC PROJECT/BRD HV TANK/GND CBL BRKT
3	2118838	1.000	No	EMC PROJECT/GANTRY FRAME/CBLE BLKHD
4	46-208758P2	4.000	No	5.5" X .140" SELF-LOCKING CABLE TIE.
5	2222142	1.000	No	HEMRC SIGNAL HARNESS
6	2113766	1.000	No	EMC PROJECT/BKT TO GND STRIPED CABLE
7	2239406	1.000	No	FILLAMENT PWR TO CATHODE
8	2245405	1.000	No	X-RAY TUBE ID
10	2262947	1.000	No	HARNESS, 120VAC TUBE FAN AND PUMP
11	2262942	1.000	No	HARNESS, 120VAC HEMRC
12	2262940	1.000	No	HARNESS, 120VAC CATHODE INV PWR
13	2275840	1.000	No	GROUND - BRAID - TUBE FRAME TO
14	2302145	1.000	No	POWER HARNESS - OBC TO LASER LIGHT
15	46-208759P1	3.000	No	7.81" X .184" SELF-LOCKING CABLE TIE

Table 4-54 OBC Interconnect - Left (2253952 BOM, rev 3)

Section 4.0 — Slipping Assembly (2253861)



REVISIONS						
REV	QTY	MADE BY	CH	DATE	PCN/F22 NO.	DESCRIPTION
B		RANDY WENDT		00MAY18	NCN	UPDATED ASSY WITH NEW PART DESIGN, ADD SHEET 2
C		D. J. DYMEK		00JUN19	NCN	ADDED ITEM 19 2x, 17 REVISED PICTORIALY.
D		PHILL COY		00JUN25	NCN	CHANGED SHEET 2, DESIGN RELEASED.
E		G. AMRHEIN		00SEP01	NCN	CHANGED TORQUE NOTE ON ITEM 7, 9
F		KARL SALLEY		00SEP22	NCN	REVISED ALIGNMENT NOTES ADDED 2 NEW VIEWS TO SHOW STEPS FOR TORQUE PATTERN OF THE ADJUSTMENT BRACKETS.
1		RANDY WENDT		01MAR21	220068	REVISED ITEM 3, REMOVED 2 ITEM 12, ADD 2 ITEM 22
2		RON KULAS		01DEC04	220332	REPLACED ITEM 3 WITH NEW PART

RING #	PIN #
7	5, 10
8	4, 9
9	2, 7
10	1, 6
11	11, 12
12	13, 14
GROUND (6)	3, 8, 15



SEE HARNESS DRAWING P/N'S 2263662, 2239405 FOR LEAD DATA INFORMATION.

THE REVISION NUMBER OF THIS SHEET IS THE CONTROL NUMBER OF THIS ENTIRE DOCUMENT. THIS REVISION NUMBER MUST INCREASE WHENEVER ANY SHEET IS CHANGED. THE CHANGE MUST BE RECORDED IN THE FORM BELOW. SHEET 2 SIZE IS A1.

PCN #	NCN	NCN	NCN	NCN	NCN	NCN	
DATE	2000	2000	2000	2000	2000	2000	
SHT	MAY	JUN	JUN	AUG	SEP	SEP	
2	B	C	D	E	F	O	

PHYSICAL ID: 2253861

MATERIAL:		FINISH:		SURFACE ROUGHNESS	
ELECTRONIC SIGNOFF DESIGN RELEASED		METRIC		APL ID (PRACTICES) 46-316849	
TITLE SLIPRING ASM		FIRST MADE FOR: HELI-GAN-SLIPR		THIRD ANGLE PROJECTION	
MADE BY RANDY WENDT 99FEB15		GE MEDICAL SYSTEMS MILWAUKEE, WI		REV 2	
DRAWN BY THOMAS R. MURRY 00SEP22		2253861ADW		SHEET 1 OF 2	

Figure 4-78 Slipping Assembly (2253861, sheet 1, rev 2)

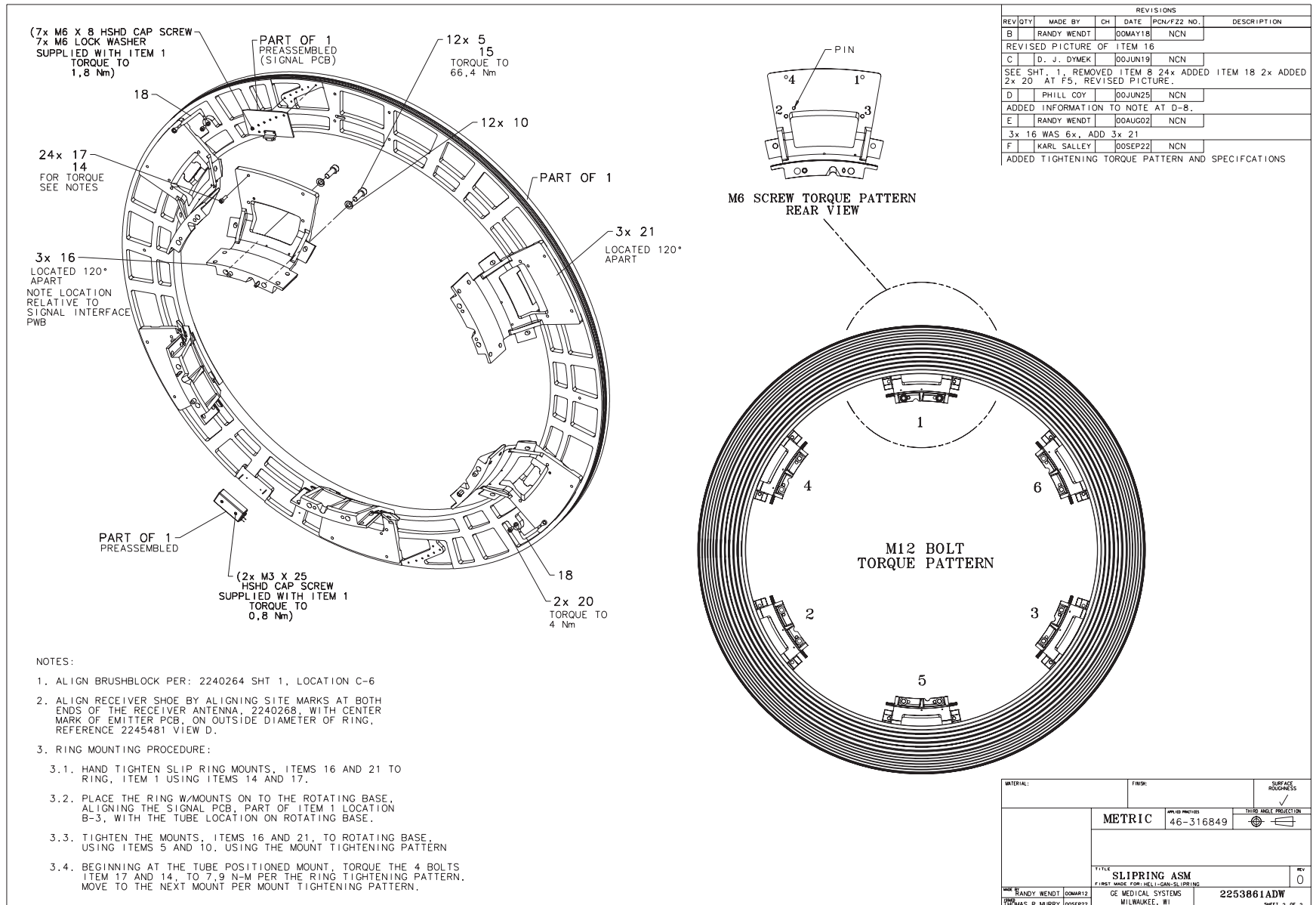


Figure 4-79 Slipring Assembly (2253861, sheet 2, rev 0)

MARK	NUMBER	QTY	FRU	DESCRIPTION/NAME
3	2304328	1.000	Yes	BRACKET-RECEIVER MOUNT-RE
18	2275840-5	2.000	Yes	GROUND - BRAID - SLIP RING J6 TO
19	2275840-4	1.000	Yes	GROUND - BRAID - SLIP RING J6 TO
22	2291717	2.000	Yes	THUMB SCREW, FLAT KNURLED
1	2240264	1.000	No	GLOBAL PLATTER HSDCD SLIPRING_SYSTEM {For further detail, see Section 4.1 , beginning on page 322 .}
4	2269320-3	1.000	No	SUPPORT BASE FOR PLATTER
5	46-328417P64	14.000	No	SCREW HEXAGON SOCKET 12 MM 30 MM
7	46-328417P16	4.000	No	SCREW HEXAGON SOCKET 6 MM
8	46-328432P3	8.000	No	WASHER LOCK - SPRING 6.1 MM 11.8 MM
9	46-328417P13	4.000	No	SCREW HEXAGON SOCKET 6 MM 16 MM
10	2275713-8	12.000	No	WASHER, FLAT NON STD FOR M12 20 OD
11	46-328430P3	8.000	No	WASHER PLAIN - NORMAL 6.4 MM 12 MM
12	46-328424P20	2.000	No	SCREW SET SCREW 6 MM 16 M
14	46-170686P3	AR	No	LOCTITE 242, 50CC
15	46-170684P2	AR	No	LOCTITE 271, 10CC BOTTLE
16A	2166361-2	3.000	No	HELIOS SLIPRING MOUNT CASTING
16B	2166361-5	ALT	No	HELIOS SLIPRING MOUNT CAS
17	46-328417P14	26.000	No	SCREW HEXAGON SOCKET 6 MM
20	46-328417P11	2.000	No	SCREW HEXAGON SOCKET 6 MM
21A	2166361-3	3.000	No	HELIOS SLIPRING MOUNT CASTING
21B	2166361-6	ALT	No	HELIOS SLIPRING MOUNT CAS

Table 4-55 Slipring Assembly (2253861 BOM, rev 6)

This Page Intentionally Blank.

4.1 Global Slipping Assembly (2240264)

FRU = NO

USED ON:
 2253861

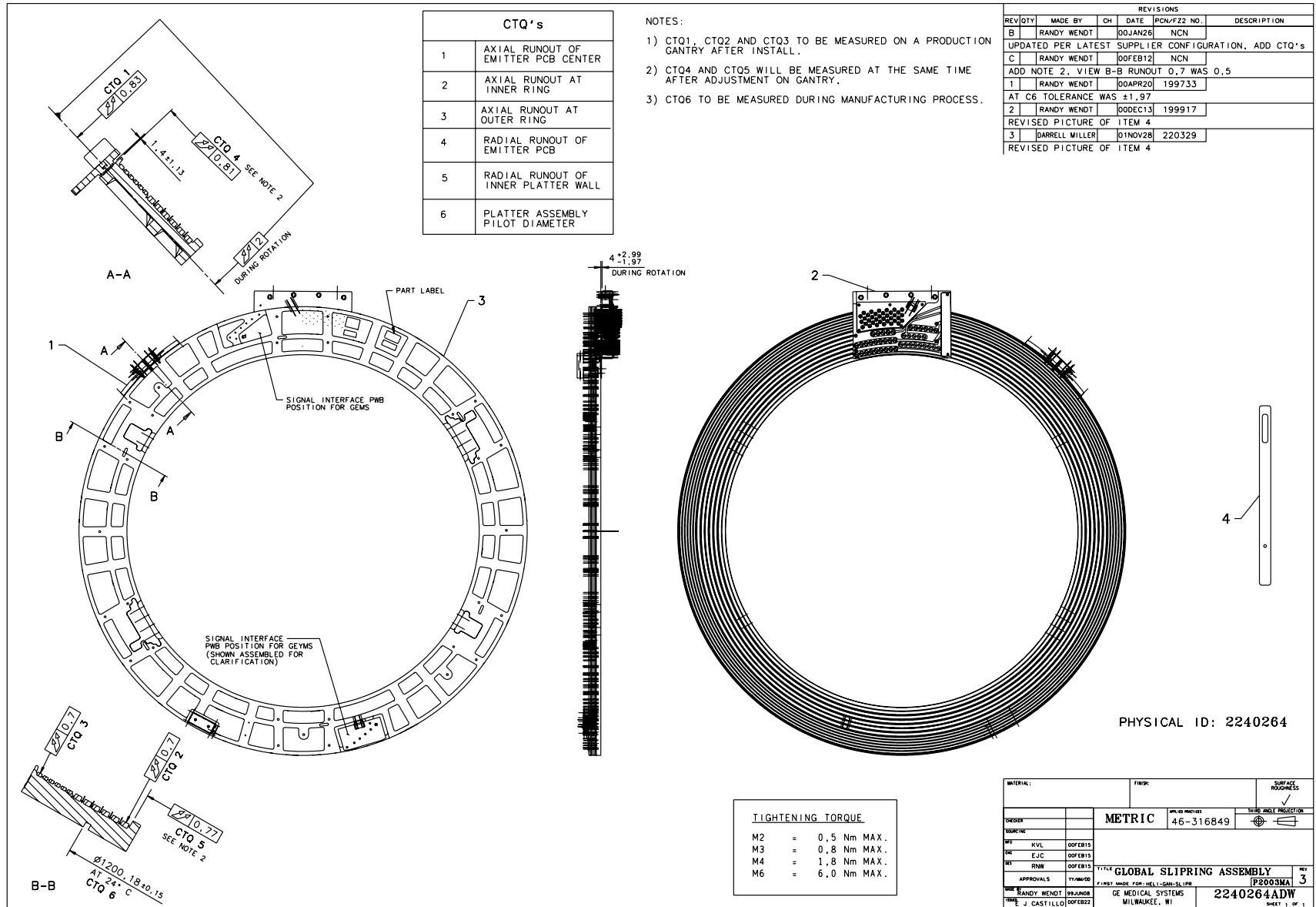


Figure 4-80 Global Slipping Assembly (2240264, sheet 1, rev 3)

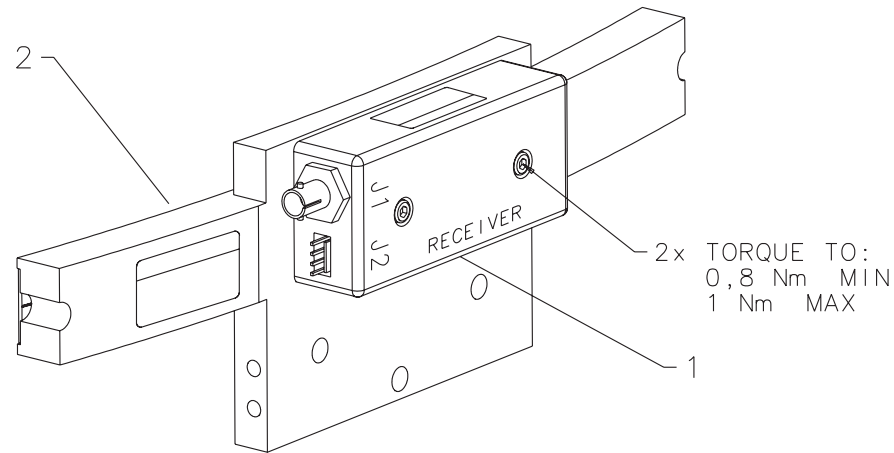
MARK	NUMBER	QTY	FRU	DESCRIPTION/NAME
4	2284989	1.000	Yes	TOOL, HSDCD ALIGMENT - EM
1	2240268	1.000	No	HSDCD SLIPRING RECEIVER/ANTENNA ASSY <i>{For further detail, see Section 4.1.1, beginning on page 324.}</i>
2	2240267	1.000	No	SLIPRING BRUSHBLOCK WITH BRUSH TIPS <i>{For further detail, see Section 4.1.2, beginning on page 326.}</i>
3	2240266	1.000	No	SLIPRING ASSY, HSDCD PLATTER <i>{For further detail, see Section 4.1.3, beginning on page 328.}</i>

Table 4-56 Global Platter HSDCD Slipring_System (2240264 BOM, rev 2)

4.1.1 Receiver/Antenna Assembly (2240268)

FRU = NO

USED ON:
 2240264



PHYSICAL ID: 2240268

MATERIAL:				FINISH:		SURFACE ROUGHNESS ✓	
CHECKER				METRIC		APPLIED PRACTICES	
SOURCING						THIRD ANGLE PROJECTION ⊕	
MFG				KVL 00FEB15			
ENG				EJC 00FEB15			
DES				RNW 00FEB15			
APPROVALS				YY/MM/DD		TITLE RECEIVER / ANTENNA ASM	
MADE BY				RANDY WENDT 99JUN01		FIRST MADE FOR: HELI-GAN-SLIPR	
ISSUED				E J CASTILLO 00FEB22		P2003MB 2240268ADW	
REV				QTY		MADE BY	
CH				DATE		PCN/FZ2 NO.	
DESCRIPTION							
REVISIONS							

UPDATED PICTURE, ADDED TORQUE NOTE

C	RANDY WENDT	00JAN04	NCN
---	-------------	---------	-----

REVISED PICTURE OF ITEM 2

B	RANDY WENDT	99OCT18	NCN
---	-------------	---------	-----

Figure 4-81 Receiver/Antenna Assembly (2240268, sheet 1, rev 0)

MARK	NUMBER	QTY	FRU	DESCRIPTION/NAME
1	2245896-2	1.000	Yes	HSDCD RX WITH ESD PROTECT
2	2245897	1.000	Yes	ANTENNA FOR GLOBAL HSDCD

Table 4-57 Receiver/Antenna Assembly (2240268 BOM, rev 2)

4.1.2 Brushblock Assembly (2240267)

FRU = NO

USED ON:
 2240264

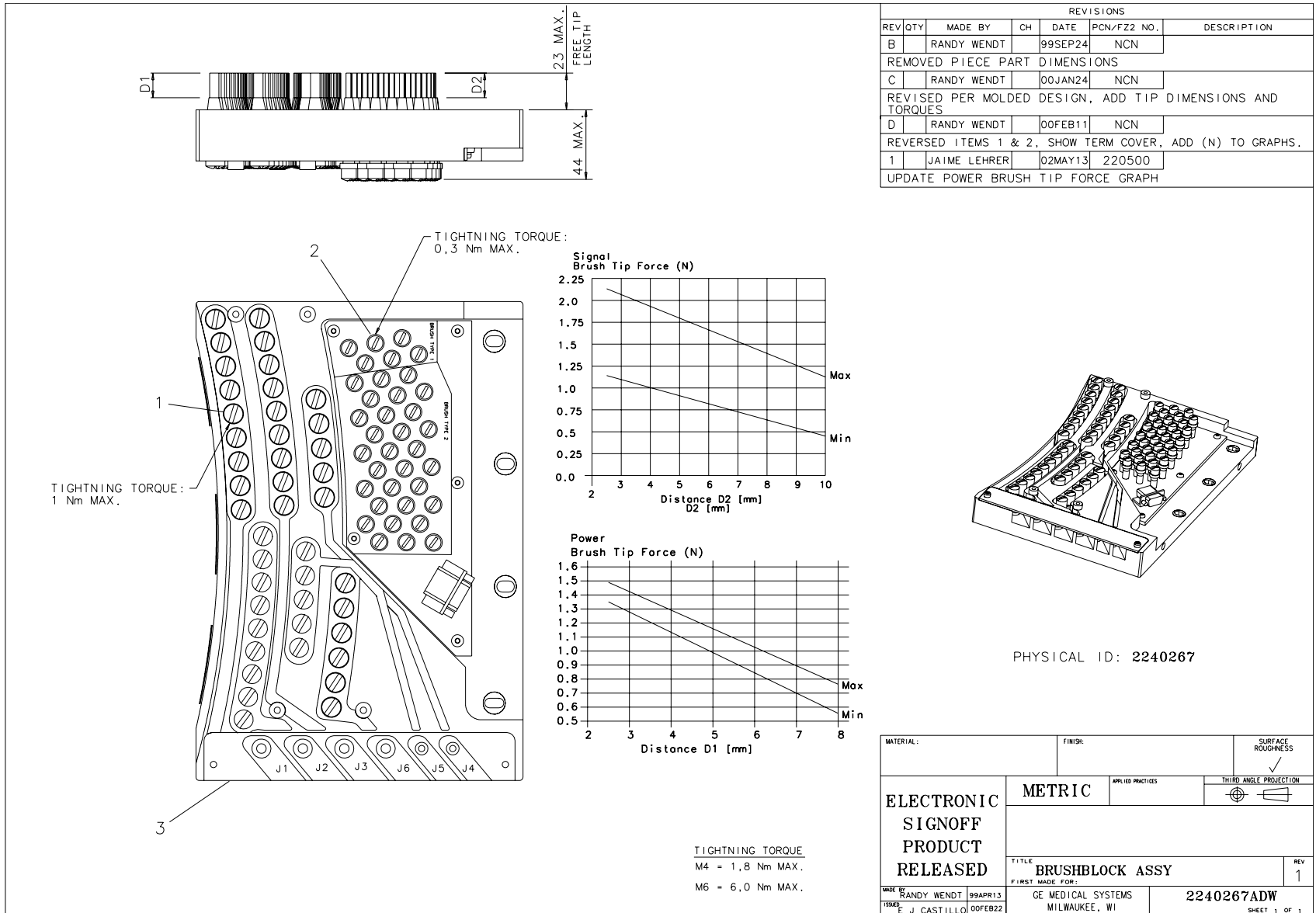


Figure 4-82 Brushblock Assembly (2240267, sheet 1, rev 1)

MARK	NUMBER	QTY	FRU	DESCRIPTION/NAME
1	2245479	1.000	Yes	POWER BRUSH TIP SET FOR HSDCD {For further detail, see Section 4.1.2.1 , below.}
2	2245480	1.000	Yes	SIGNAL BRUSH TIP SET FOR HSDCD {For further detail, see Section 4.1.2.2 , below.}
3	2254361	1.000	Yes	BRUSHBLOCK W/ PWR & SIG TIP HOLDERS

Table 4-58 Brushblock Assembly (2240267 BOM, rev 1)

4.1.2.1 Power Brush Tip Set (2245479)

FRU = YES

MARK	NUMBER	QTY	FRU	DESCRIPTION/NAME
1	2253672	45.000	Yes	POWER BRUSH TIP - MAT'L C
2	2253684	45.000	Yes	CAP, POWER BRUSH TIP

Table 4-59 Power Brush Tip Set (2245479 BOM, rev 1)

4.1.2.2 Signal Brush Tip Set (2245480)

FRU = YES

MARK	NUMBER	QTY	FRU	DESCRIPTION/NAME
1	2253677	32.000	Yes	SIGNAL BRUSH TIP - MAT'L
2	2253678	8.000	Yes	SIGNAL BRUSH TIP - MAT'L
3	2253686	40.000	Yes	CAP, SIGNAL BRUSH TIP

Table 4-60 Signal Brush Tip Set (2245480 BOM, rev 1)

4.1.3 Slipping Assembly (2240266)

FRU = NO

USED ON:
 2240264

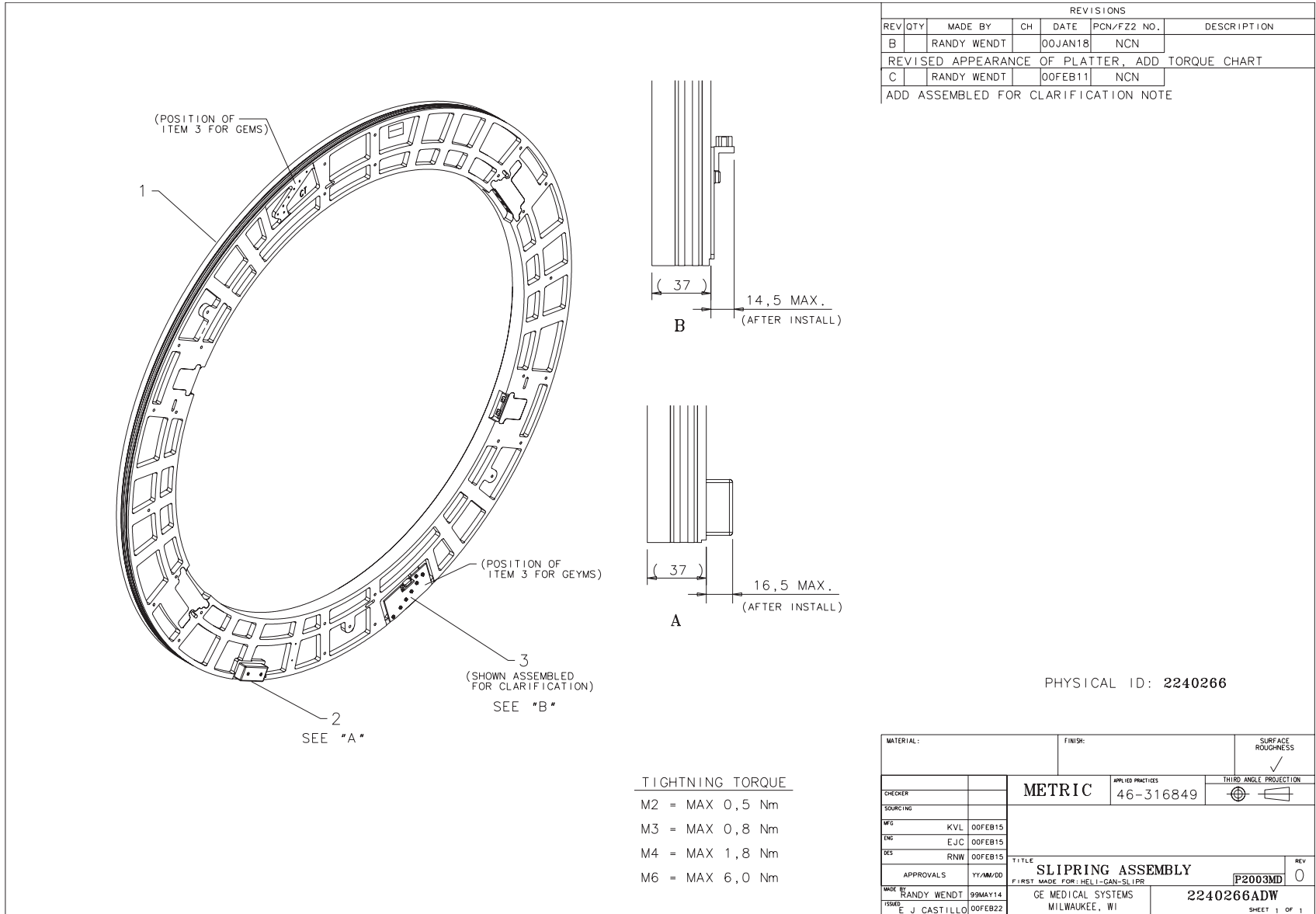


Figure 4-83 Slipping Assembly (2240266, sheet 1, rev 0)

MARK	NUMBER	QTY	FRU	DESCRIPTION/NAME
1	2245481	1.000	Yes	SLIPRING, HSDCD PLATTER
2	2240269	1.000	Yes	TRANSMITTER, HSDCD SLIPRING
3	2245482	1.000	Yes	SIGNAL INTERFACE PWB FOR GLOBAL

Table 4-61 Slipring Assy, HSDCD Platter (2240266 BOM, rev 1)

Section 5.0 — S/R Cover Collector (2282516)

FRU = NO

MARK	NUMBER	QTY	FRU	DESCRIPTION/NAME
1	2282046	1.000	No	COVER, SLIPRING LOWER
2	2282046-2	1.000	No	COVER, SLIPRING UPPER

Table 4-62 S/R Cover Collector (2282516 BOM, rev 0)

Section 6.0 — Gantry Scan Window Assy (2101967-4)

FRU = YES

MARK	NUMBER	QTY	FRU	DESCRIPTION/NAME
2	2101993-3	2.000	No	STEEL BAND - H2 COVER SCAN WINDOW
3	2101763-4	1.000	No	LEXAN BAND - H2 COVER SCAN WINDOW
4	2107278	AR	No	EPDM RUBBER WEATHER STRIP
5	46-170106P4	AR	No	DBL COATED FILM .007 THK
6	46-229060P1	2.000	No	LASER APERTURE, DONT STARE INTO BEAM

Table 4-63 Scan Win Assy - H2 Gantry (2101967-4 BOM, rev 0)

Section 7.0 — Cover Assy - Front (2272939)

FRU = NO

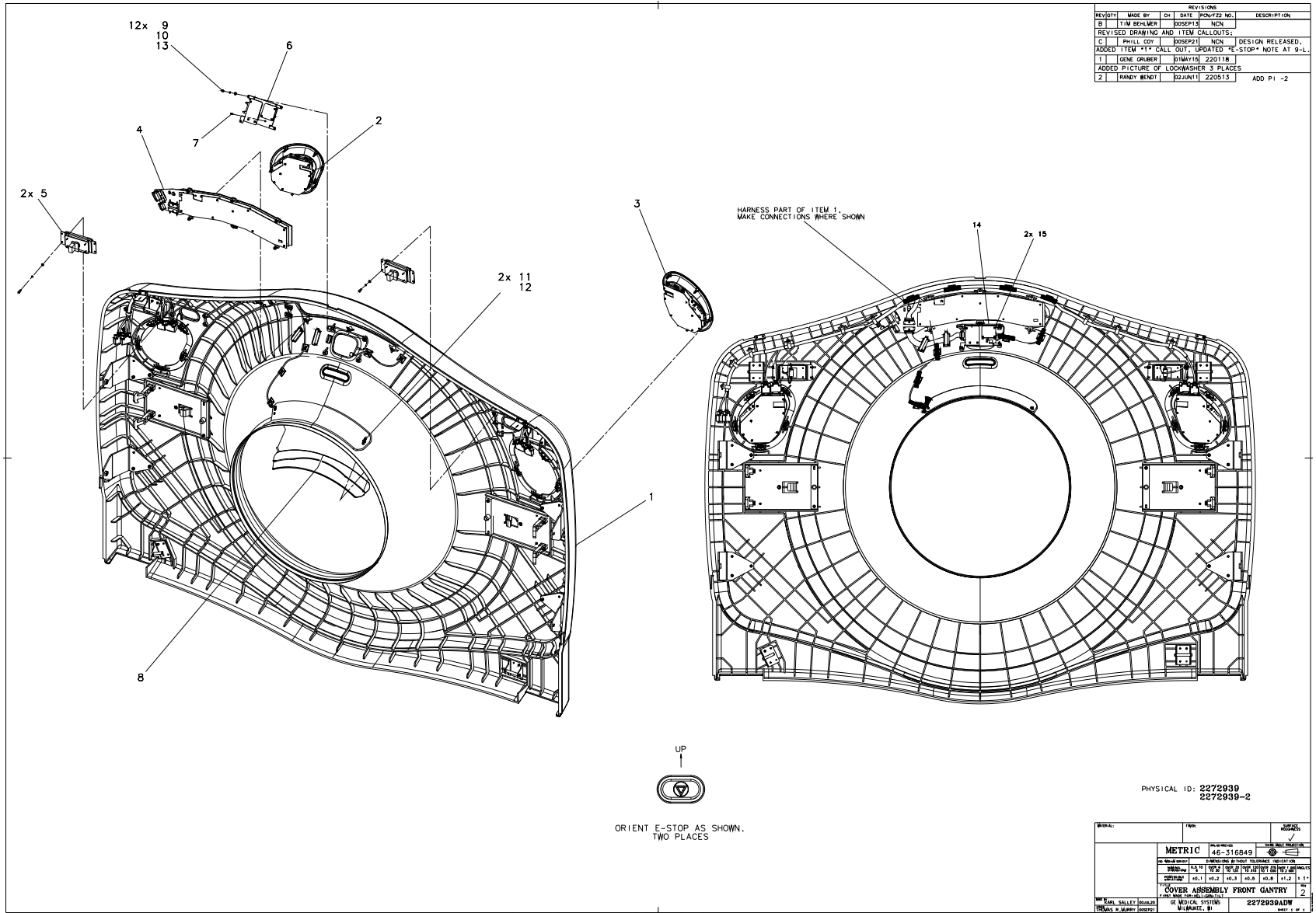


Figure 4-84 Cover Assembly - Front Gantry (2272939, sheet 1, rev 2)

MARK	NUMBER	QTY	FRU	DESCRIPTION
1	2361871	1.0	Yes	COVER SUB-ASSY, FRONT GANTRY-H4 (For further detail, see Section 8.3 , beginning on page 354 .)
2	5139591	1.0	Yes	H POWER OPERATOR CONTROLS RIGHT SIDE
3	5139590	1.0	Yes	H POWER OPERATOR CONTROLS LEFT SIDE
4	2256730-2	1.0	Yes	GANTRY DISPLAY ASM with GND FACEPLATE
5	2194456-3	2.0	Yes	P9233PU ESW ASSY
6	2200386-2	1.0	Yes	P9233QC R L G 1
7	2111955	1.0	Yes	P9213YX MIC ASSY (For further detail, see Section 7.3 , beginning on page 342 .)
8	2277405	1.0	Yes	PATIENT SENSOR, SMALL {For further detail, see Section 7.4 , beginning on page 344 .}
9	46-328417P3	12.0	Yes	SCREW HEXAGON SOCKET 4 MM 10 MM ZINC PLATED, STEEL
10	46-328430P2	12.0	Yes	WASHER PLAIN - NORMAL 4.3 MM 9 MM ZINC PLATED, STEEL
11	46-328431P1	2.0	Yes	WASHER PLAIN - LARGE 4.3 MM 12 MM ZINC PLATED, STEEL
12	46-312346P2	2.0	Yes	NUT, M4 X 0.7 HEX WITH LOCK WASHER ZINC PLATED
13	46-328432P2	12.0	Yes	WASHER LOCK - SPRING 4.1 MM 7.6 MM ZINC PLATED, SPRING STEEL
14	2176596	1.0	Yes	P9233TY 22WIRE ASSY

Table 4-64 Cover Assembly - Front Gantry (2272939 BOM, rev 8)

7.1 Cover Sub Assy, Front (2273017)

FRU = YES

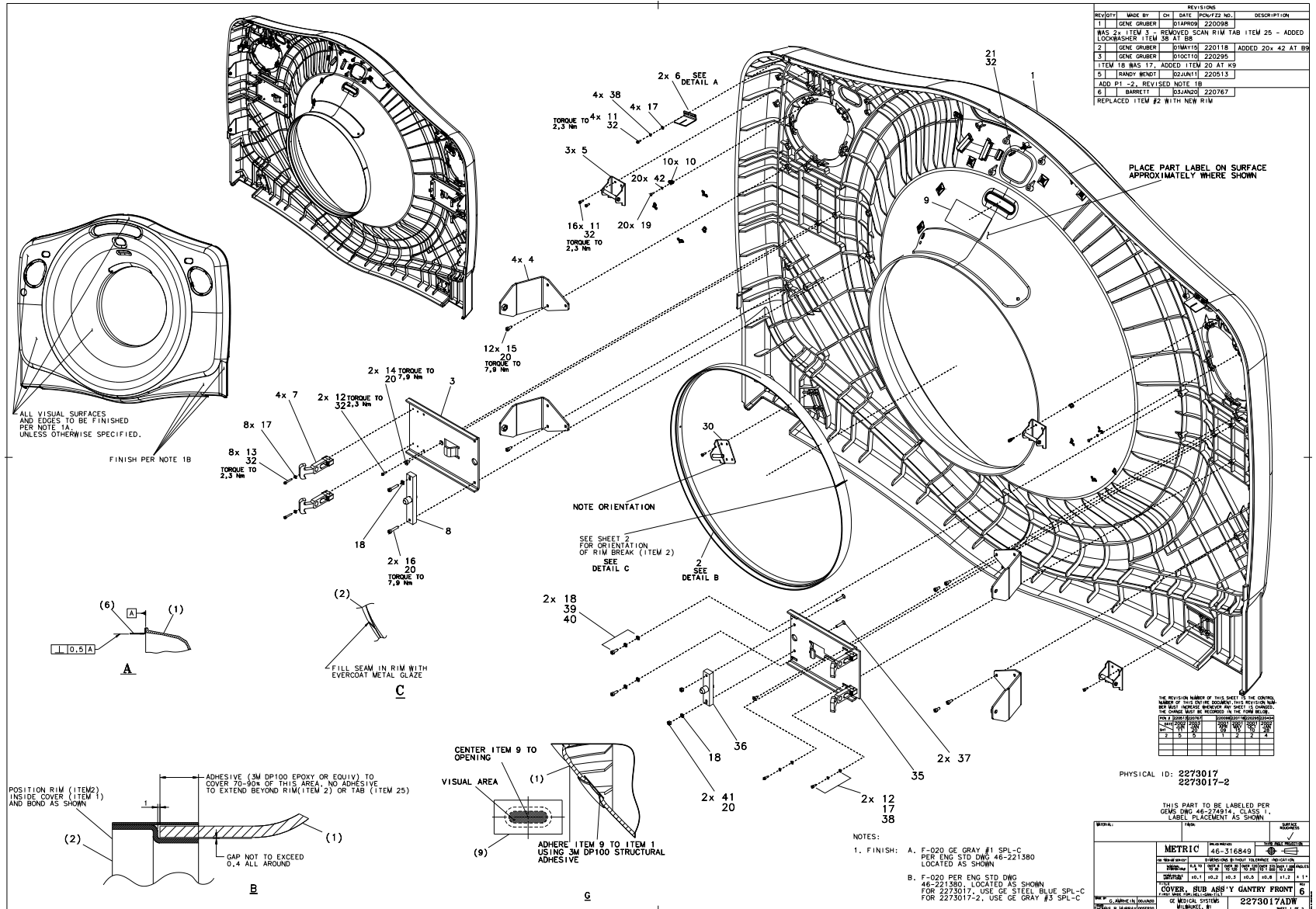


Figure 4-85 Cover Sub Assembly, Gantry Front (2273017, sheet 1, rev 6)

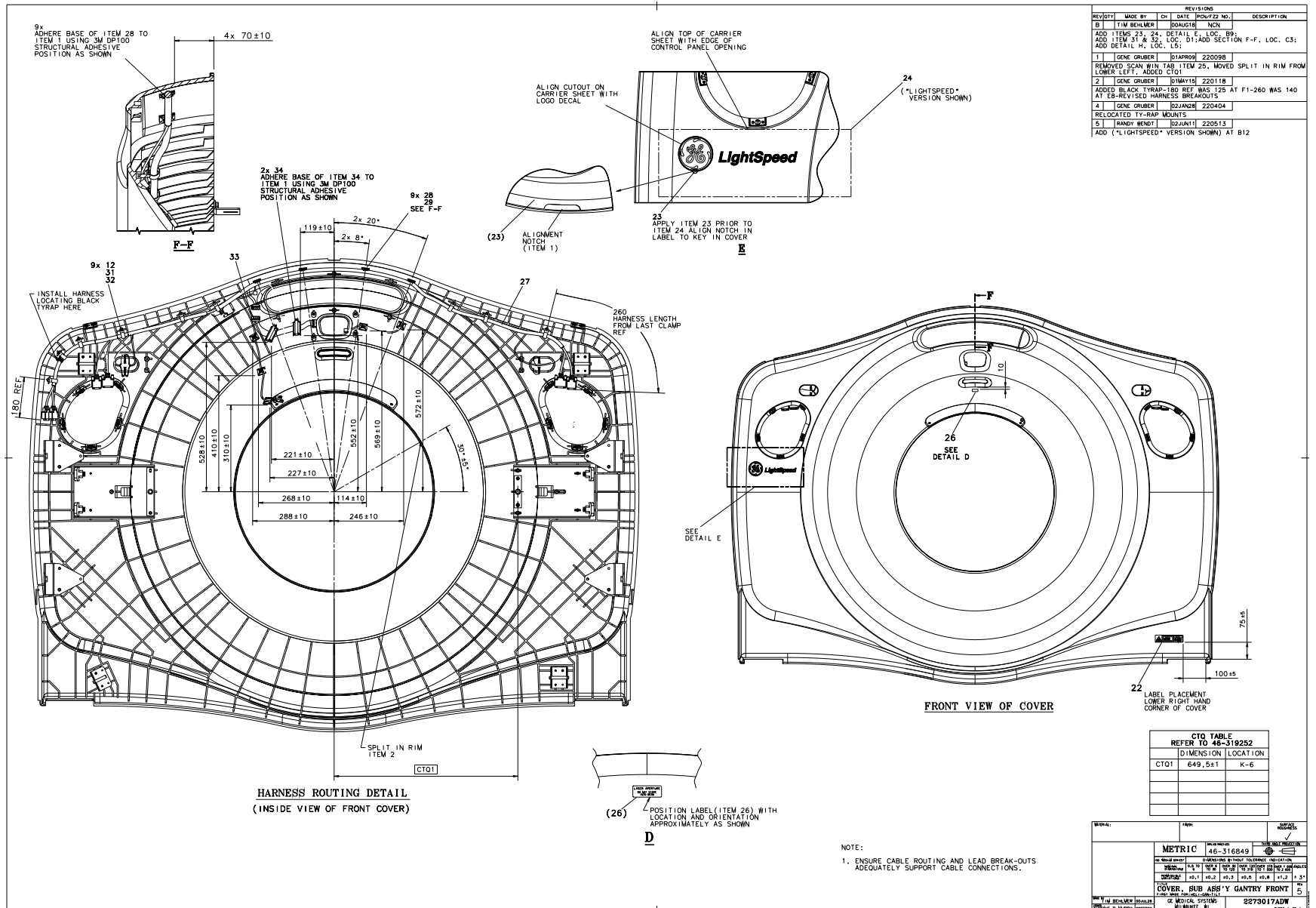


Figure 4-86 Cover Sub Assembly, Gantry Front (2273017, sheet 2, rev 5)

MARK	NUMBER	QTY	FRU	DESCRIPTION/NAME
4	2275845	4.000	Yes	BRACKET FOR COVER DOLLIES
5	2258071	3.000	Yes	BRACKET, LATCH
9	2276371	1.000	Yes	WINDOW, LASER
26	46-229060P1	1.000	Yes	LASER APERTURE, DONT STAR
27	2260353	1.000	Yes	CAN HARNESS FRONT COVER H
31	46-208714P11	9.000	Yes	CABLE OD 0.75 RICHCO
33	2271663	1.000	Yes	H2 COVER DISPLAY TO BREAT
34	46-220191P3	2.000	Yes	PANDUIT FCM2-A-C14 GRAY,
1	2255779	1.000	No	GANTRY FRONT COVER HELIOS
2	2324081	1.000	No	TRIM RING, SCAN WINDOW
3	2257240	1.000	No	MTG PLATE GANTRY COVERS H
6	2275621	2.000	No	BRKT TOP CVR SUPPORT REAR
7	2277655-3	4.000	No	LATCH, HANDLE ASSEMBLY
8	2256908	1.000	No	MNTG BLOCK FOR ROUND PIN
10	2277653	10.000	No	CLIP, TINNERMAN RECEIVER
11	46-328417P2	29.000	No	SCREW HEXAGON SOCKET 4 MM
12	46-328417P4	4.000	No	SCREW HEXAGON SOCKET 4 MM
13	46-328417P7	8.000	No	SCREW HEXAGON SOCKET 4 MM
14	2103580-12	2.000	No	SCREW COUNTERSUNK HEA 6 M
15	46-328417P12	12.000	No	SCREW HEXAGON SOCKET 6 MM
16	46-328417P16	2.000	No	SCREW HEXAGON SOCKET 6 MM
17	46-328430P2	14.000	No	WASHER PLAIN - NORMAL 4.3
18	46-328430P3	4.000	No	WASHER PLAIN - NORMAL 6.4
19	2281998	20.000	No	POP RIVET
20	46-170686P3	AR	No	LOCTITE 242, 50CC
21	2277654	1.000	No	STUD, TINNERMAN BALL
22	2114875	1.000	No	CAUTION LABEL FOR ZEUS GA

Table 4-65 Cover Sub Assembly, Gantry Front (2273017 BOM, rev 7)

MARK	NUMBER	QTY	FRU	DESCRIPTION/NAME
23	2269030-14	1.000	No	ENCAPSULATED GE LOGO - DI
24	2280043	1.000	No	LABEL, LIGHTSPEED H2
28	46-208747P2	9.000	No	CABLE TIE MOUNT ADHESIVE
29	46-208758P9	9.000	No	11.08"X .140" SELF-LOCKIN
30	2281941	1.000	No	LATCH BRACKET
32	46-170683P1	AR	No	LOCTITE 222, 10CC BOTTLE
35	2292912	1.000	No	MTG PLT GANTRY COVERS H2-
36	2292913	1.000	No	MTG BLOCK RND PIN H2 CVRS
37	2103580-16	2.000	No	SCREW COUNTERSUNK HEA 6 M
38	46-328432P2	6.000	No	WASHER LOCK - SPRING 4.1
39	46-328417P13	2.000	No	SCREW HEXAGON SOCKET 6 MM
40	46-328432P3	2.000	No	WASHER LOCK - SPRING 6.1
41	46-328425P2	2.000	No	NUT HEXAGON 6 MM
42	46-328430P9	20.000	No	WASHER PLAIN - NORMAL 3.2

Table 4-65 Cover Sub Assembly, Gantry Front (2273017 BOM, rev 7) (Continued)

7.2 Cover Sub Assy, Gantry Front - FRP (2291365)

FRU = YES

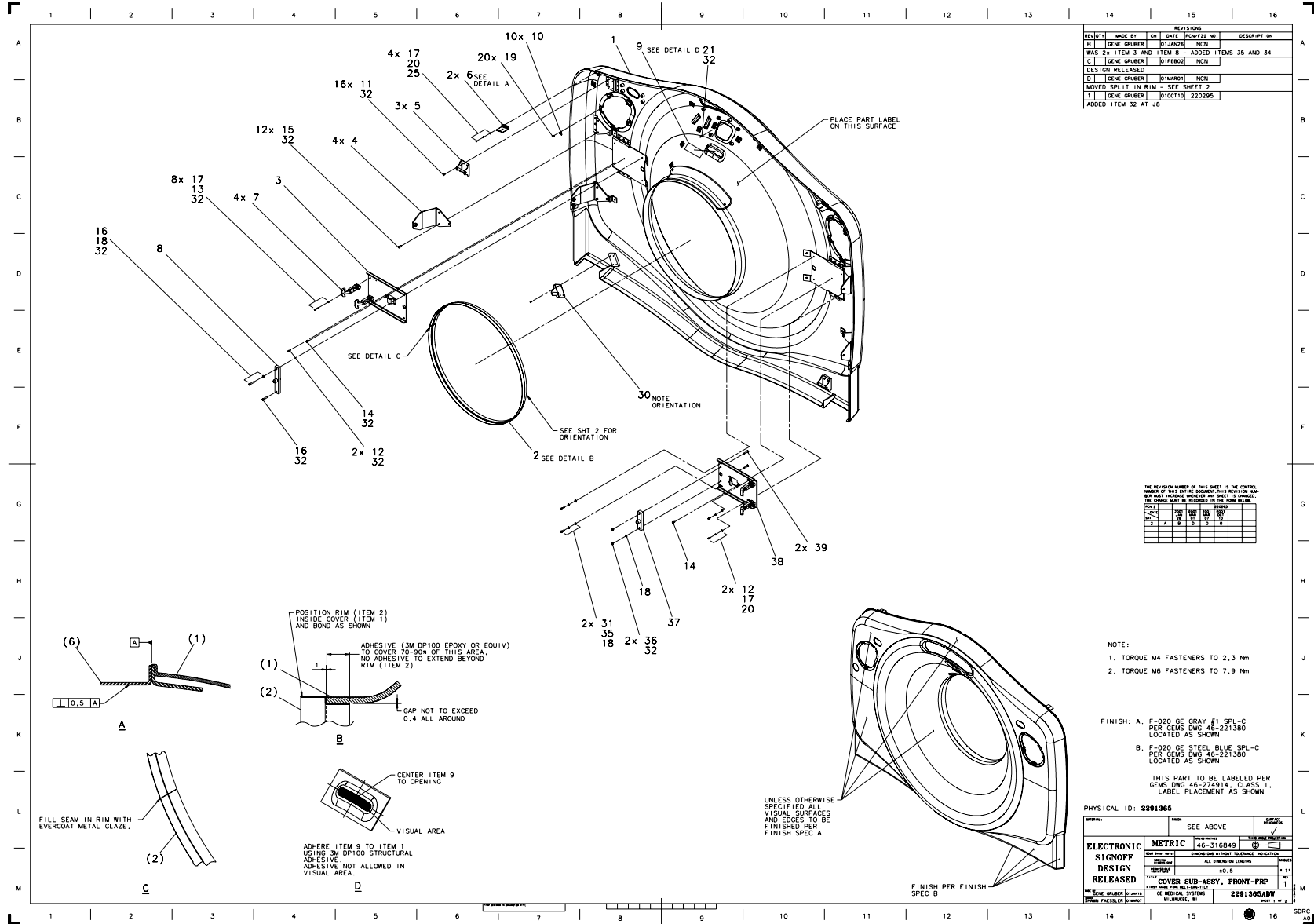


Figure 4-87 Cover Sub Assy, Gantry Front - FRP (2291365, sheet 1, rev 1)

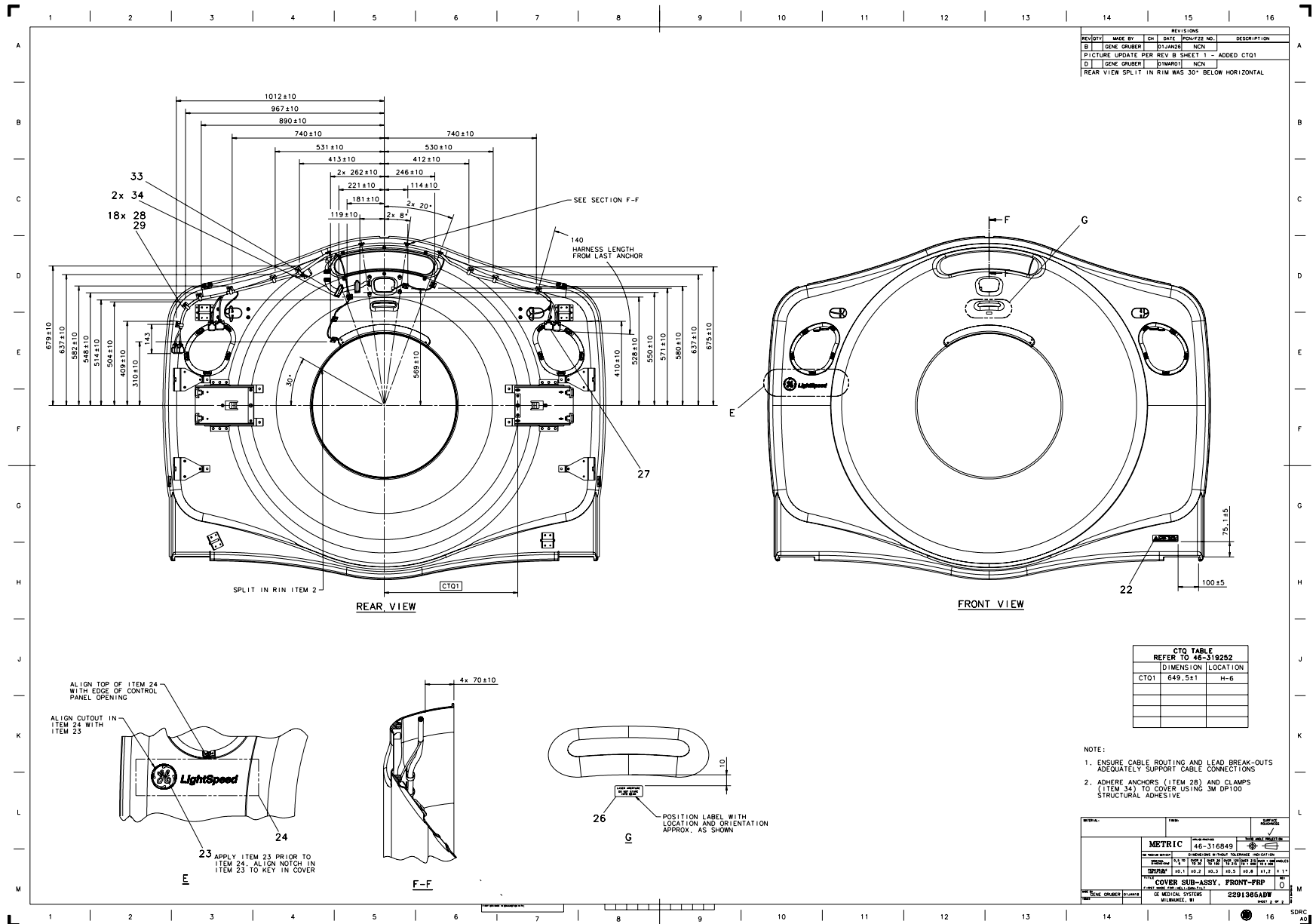


Figure 4-88 Cover Sub Assy, Gantry Front - FRP (2291365, sheet 2, rev 0)

MARK	NUMBER	QTY	FRU	DESCRIPTION/NAME
9	2276371	1.000	Yes	WINDOW, LASER
1	2291252	1.000	No	COVER, FRONT GANTRY H2 -
2	2232023-3	1.000	No	TRIM RING, SCAN WINDOW, H
3	2257240	1.000	No	MTG PLATE GANTRY COVERS H
4	2275845	4.000	No	BRACKET FOR COVER DOLLIES
5	2258071	3.000	No	BRACKET, LATCH
6	2275621	2.000	No	BRKT TOP CVR SUPPORT REAR
7	2277655-3	4.000	No	LATCH, HANDLE ASSEMBLY
8	2256908	1.000	No	MNTG BLOCK FOR ROUND PIN
10	2277653	10.000	No	CLIP, TINNEMAN RECEIVER
11	46-328417P2	16.000	No	SCREW HEXAGON SOCKET 4 MM
12	46-328417P4	4.000	No	SCREW HEXAGON SOCKET 4 MM
13	46-328417P7	8.000	No	SCREW HEXAGON SOCKET 4 MM
14	2103580-12	2.000	No	SCREW COUNTERSUNK HEA 6 M
15	46-328417P12	12.000	No	SCREW HEXAGON SOCKET 6 MM
16	46-328417P16	2.000	No	SCREW HEXAGON SOCKET 6 MM
17	46-328430P2	14.000	No	WASHER PLAIN - NORMAL 4.3
18	46-328430P3	4.000	No	WASHER PLAIN - NORMAL 6.4
19	2281998	20.000	No	POP RIVET
20	46-328432P2	6.000	No	WASHER LOCK - SPRING 4.1
21	2277654	1.000	No	STUD, TINNEMAN BALL
22	2114875	1.000	No	CAUTION LABEL FOR ZEUS GA
23	2269030-14	1.000	No	ENCAPSULATED GE LOGO - DI
24	2280043	1.000	No	LABEL, LIGHTSPEED H2
25	46-328425P1	4.000	No	NUT HEXAGON 4 MM
26	46-229060P1	1.000	No	LASER APERTURE, DONT STAR
27	2260353	1.000	No	CAN HARNESS FRONT COVER H

Table 4-66 Cover Sub-Assy, Gantry Front - FRP (2291365 BOM, rev 2)

MARK	NUMBER	QTY	FRU	DESCRIPTION/NAME
28	46-208747P2	18.000	No	CABLE TIE MOUNT ADHESIVE
29	46-208758P9	18.000	No	11.08"X .140" SELF-LOCKIN
30	2281941	1.000	No	LATCH BRACKET
31	46-328417P13	2.000	No	SCREW HEXAGON SOCKET 6 MM
32	46-170686P3	AR	No	LOCTITE 242, 50CC
33	2271663	1.000	No	H2 COVER DISPLAY TO BREAT
34	46-220191P3	2.000	No	PANDUIT FCM2-A-C14 GRAY,
35	46-328432P3	2.000	No	WASHER LOCK - SPRING 6.1
36	46-328425P2	2.000	No	NUT HEXAGON 6 MM
37	2292913	1.000	No	MTG BLOCK RND PIN H2 CVRS
38	2292912	1.000	No	MTG PLT GANTRY COVERS H2-
39	2103580-16	2.000	No	SCREW COUNTERSUNK HEA 6 M

Table 4-66 Cover Sub-Assy, Gantry Front - FRP (2291365 BOM, rev 2) (Continued)

7.3 Mic Assembly (2111955)

FRU = YES

MARK	NUMBER	QTY	FRU	DESCRIPTION/NAME
2	U0009ER	1.000	Yes	MICROPHONE
1	2111956	1.000	No	P9213YY MIC BD
3	P9153SY	1.000	No	MIC SHEET (P9153YX)
4	U2310RM	1.000	No	RESISTOR 1k OHMS 1 % .25
5	U4104FA	1.000	No	CONNECTOR_NEW

Table 4-67 Mic Assembly (2111955 BOM, rev 0)

This Page Intentionally Blank.

7.4 Patient Sensor (2277405)

FRU = YES

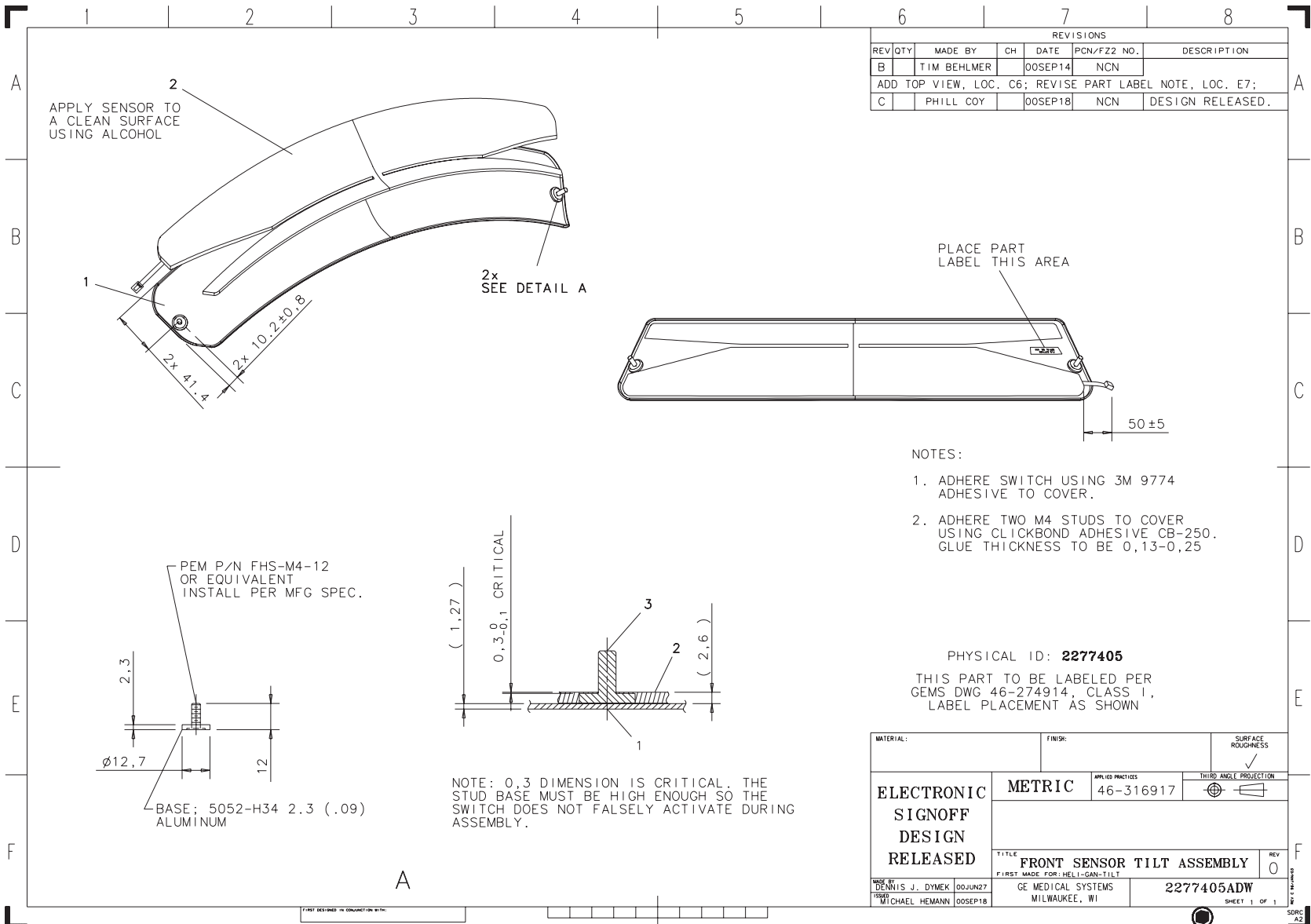


Figure 4-89 Front Sensor Tilt Assembly (2277405, sheet 1, rev 0)

MARK	NUMBER	QTY	FRU	DESCRIPTION/NAME
1	2258034	1.000	No	THERMOFORMED COVER, FRONT
2	2277597	1.000	No	SWITCH, FRONT PATIENT SEN

Table 4-68 Patient Sensor, Small (2277405 BOM, rev 0)

Section 8.0 — Cover Assy - Rear (2273016)

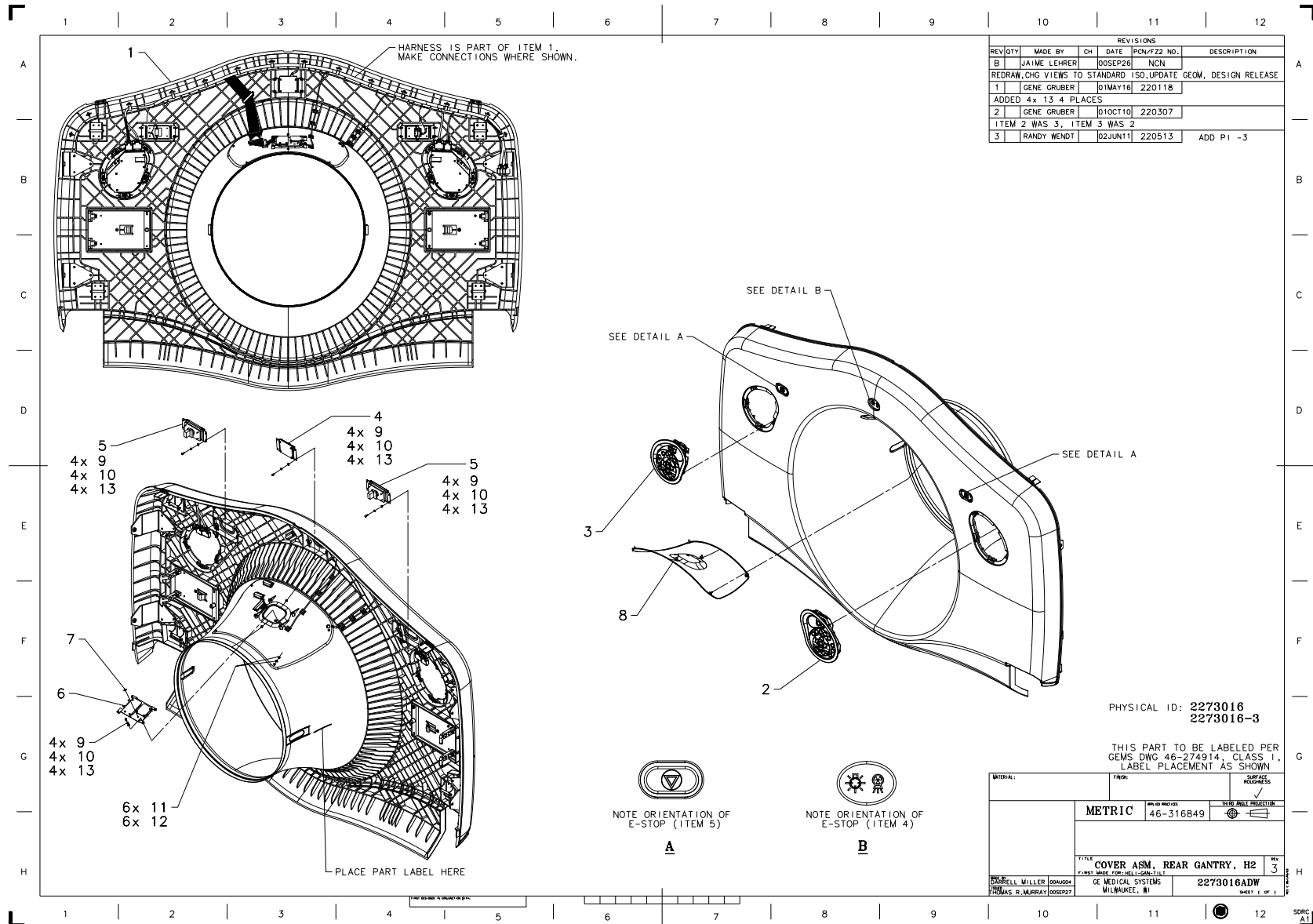


Figure 4-90 Cover Assembly, Rear Gantry (2273016 sheet 1, rev 3)

MARK	NUMBER	QTY	FRU	DESCRIPTION
2	2256728	1.0	Yes	CONTROL ASM RIGHT H2 GANTRY <i>For further detail, see Section 8.3, beginning on page 354.</i>
3	2256729	1.0	Yes	CONTROL ASM LEFT H2 GANTRY
4	2194474	1.0	Yes	P9233QG IND ASSY
5	2194456-3	2.0	Yes	P9233PU ESW ASSY
6	2200386-2	1.0	Yes	P9233QC R L G 1
7	2111955	1.0	Yes	P9213YX MIC ASSY <i>{For further detail, see Section 7.3, beginning on page 342.}</i>
8	2277404	1.0	Yes	PATIENT SENSOR, LARGE <i>{For further detail, see Section 8.4, beginning on page 358.}</i>
9	46-328417P3	16.0	Yes	SCREW HEXAGON SOCKET 4 MM 10 MM ZINC PLATED, STEEL
10	46-328430P2	16.0	Yes	WASHER PLAIN - NORMAL 4.3 MM 9 MM ZINC PLATED, STEEL
12	46-312346P2	6.0	Yes	NUT, M4 X 0.7 HEX WITH LOCK WASHER ZINC PLATED
13	46-328432P2	16.0	Yes	WASHER LOCK - SPRING 4.1 MM 7.6 MM ZINC PLATED, SPRING STEEL
1A	2361873	1.0	Yes	COVER SUB-ASSY, REAR GANTRY-H4
11A	46-328431P1	6.0	Yes	WASHER PLAIN - LARGE 4.3 MM 12 MM ZINC PLATED, STEEL

Table 4-69 Cover Assy, Rear Gantry (2273016 BOM, rev 5)

8.1 Cover Sub Assembly, Rear Gantry (2273018)

FRU = YES

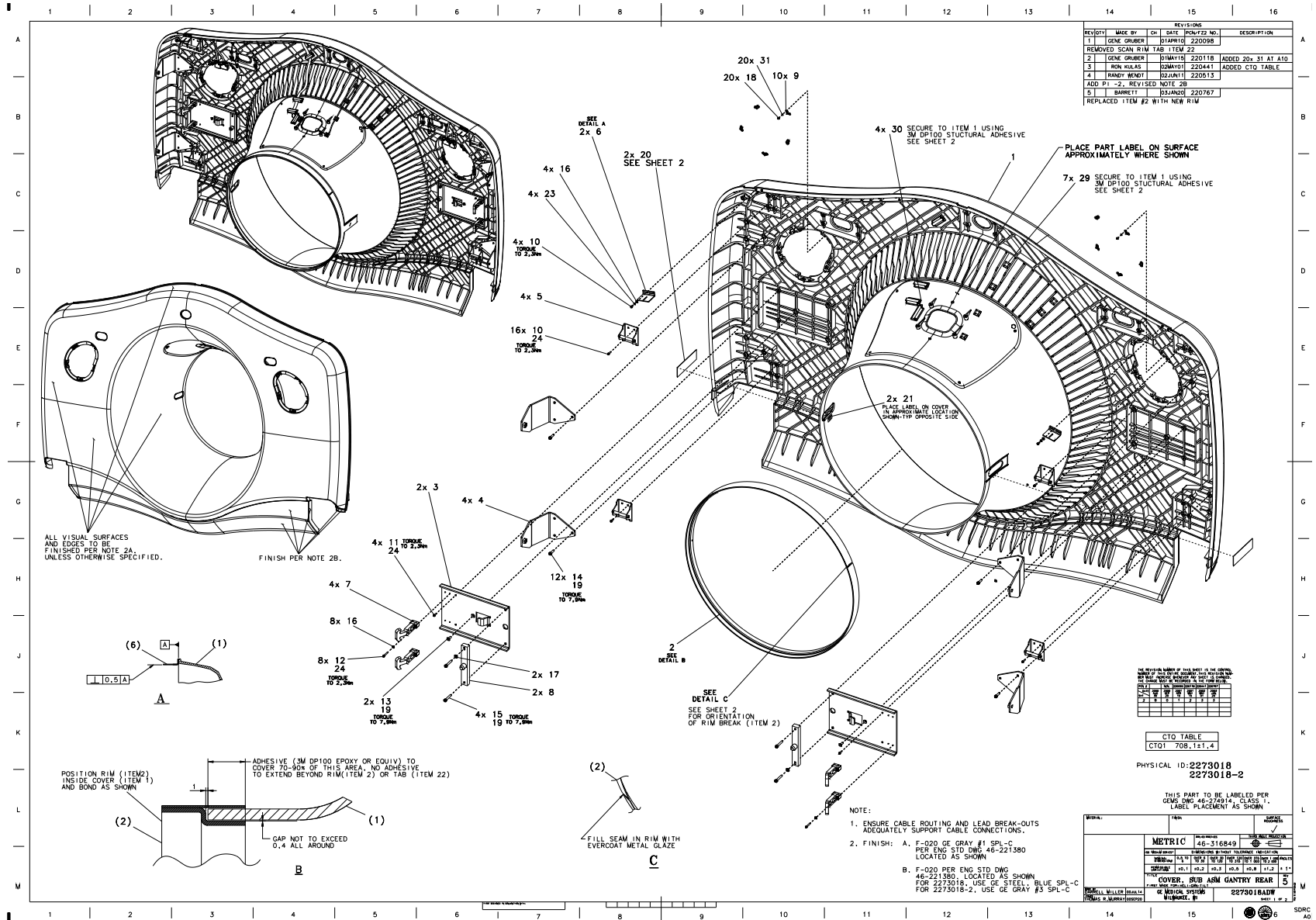


Figure 4-91 Cover Sub Assembly, Rear Gantry (2273018, sheet 1, rev 5)

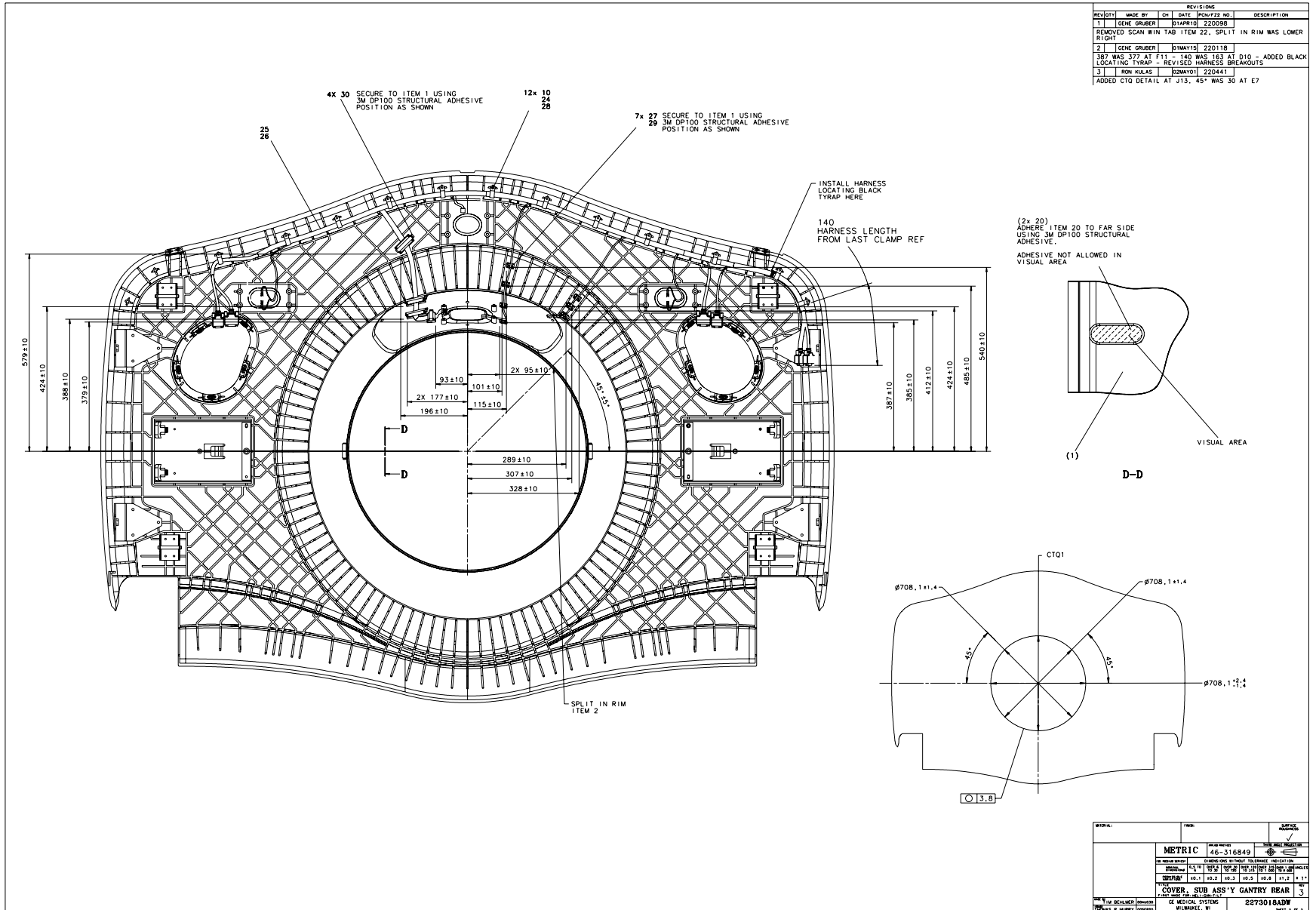


Figure 4-92 Cover Sub Assembly, Rear Gantry (2273018, sheet 2, rev 3)

MARK	NUMBER	QTY	FRU	DESCRIPTION/NAME
20	2276371	2.000	Yes	WINDOW, LASER
26	2270460	1.000	Yes	REAR COVER
1	2255780	1.000	No	REAR COVER GANTRY HELIOS
2	2324081	1.000	No	TRIM RING, SCAN WINDOW
3	2257240	2.000	No	MTG PLATE GANTRY COVERS
4	2275845	4.000	No	BRACKET FOR COVER DOLLIES
5	2258071	4.000	No	BRACKET, LATCH
6	2275621	2.000	No	BRKT TOP CVR SUPPORT REAR
7	2277655-3	4.000	No	LATCH, HANDLE ASSEMBLY
8	2256908	2.000	No	MNTG BLOCK FOR ROUND PIN
9	2277653	10.000	No	CLIP, TINNEMAN RECEIVER
10	46-328417P2	32.000	No	SCREW HEXAGON SOCKET 4 MM
11	46-328417P3	4.000	No	SCREW HEXAGON SOCKET 4 MM
12	46-328417P7	8.000	No	SCREW HEXAGON SOCKET 4 MM
13	2103580-12	2.000	No	SCREW COUNTERSUNK HEA 6 MM
14	46-328417P12	12.000	No	SCREW HEXAGON SOCKET 6 MM
15	46-328417P16	4.000	No	SCREW HEXAGON SOCKET 6 MM
16	46-328430P2	12.000	No	WASHER PLAIN - NORMAL 4.3 MM 9 MM
17	46-328430P3	2.000	No	WASHER PLAIN - NORMAL 6.4 MM 12 MM
18	2281998	20.000	No	POP RIVET
19	46-170686P3	AR	No	LOCTITE 242, 50CC
21	46-229060P1	2.000	No	LASER APERTURE, DONT STARE INTO BEAM
23	46-328432P2	4.000	No	WASHER LOCK - SPRING 4.1
24	46-170683P1	AR	No	LOCTITE 222, 10CC BOTTLE
25	2270461	1.000	No	REAR COVER W/OPTIONAL CONTROL PANEL
27	46-208747P2	7.000	No	CABLE TIE,ADH.BACKED
28	46-208714P11	12.000	No	CABLE OD 0.75 RICHCO

Table 4-70 Cover Sub Assembly, Rear Gantry (2273018 BOM, rev 6)

MARK	NUMBER	QTY	FRU	DESCRIPTION/NAME
29	46-208758P9	7.000	No	11.08"X .140" SELF-LOCKING
30	46-220191P3	4.000	No	PANDUIT FCM2-A-C14 GRAY
31	46-328430P9	20.000	No	WASHER PLAIN - NORMAL 3.2

Table 4-70 Cover Sub Assembly, Rear Gantry (2273018 BOM, rev 6) (Continued)

8.2 Cover Sub Assy, Rear Gantry - FRP (2291369)

FRU = YES

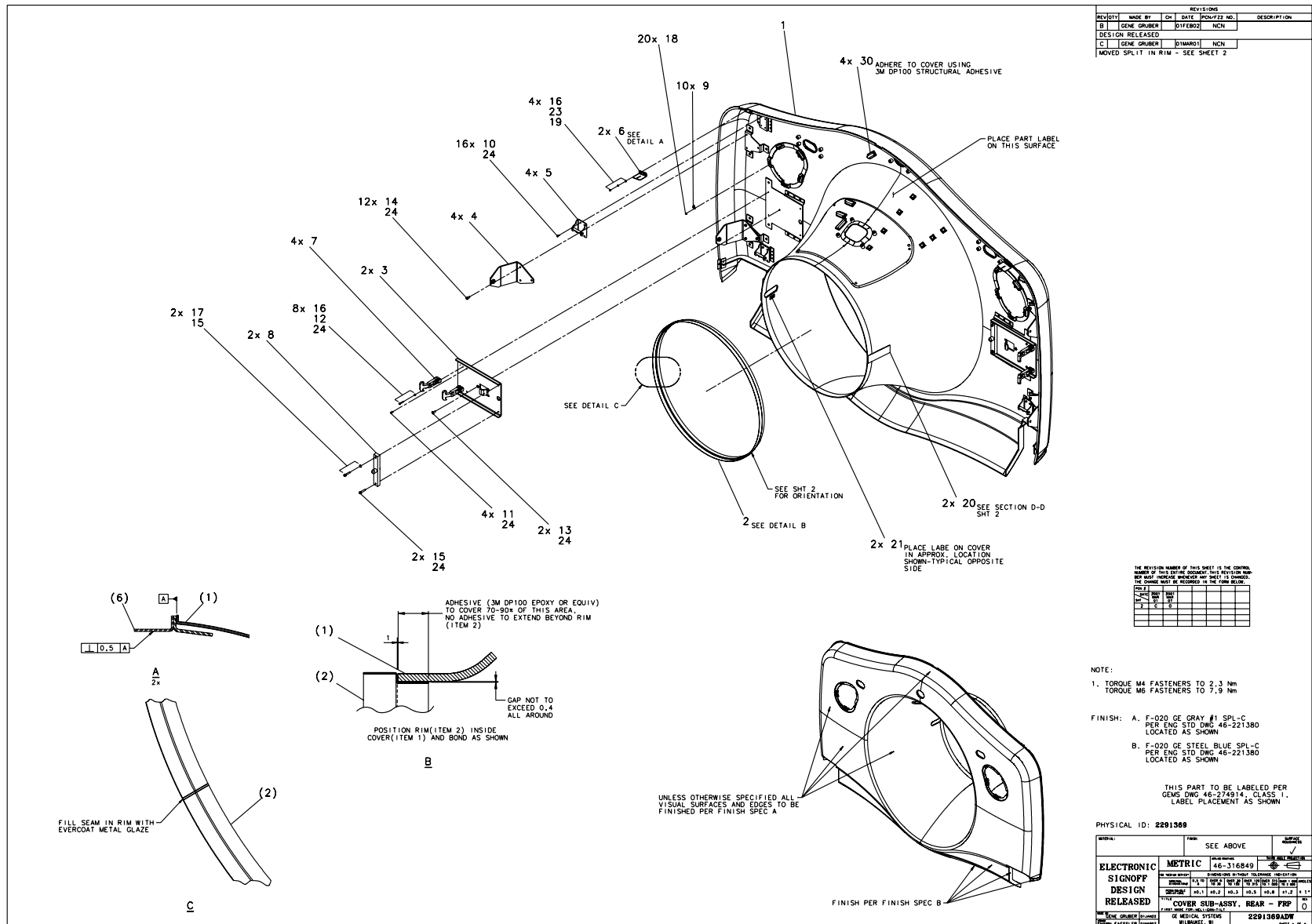


Figure 4-93 Cover Sub Assy, Rear Gantry - FRP (2291369, sheet 1, rev 0)

MARK	NUMBER	QTY	FRU	DESCRIPTION/NAME
20	2276371	2.000	Yes	WINDOW, LASER
26	2270460	1.000	Yes	H2 REAR COVER
1	2291253	1.000	No	COVER, REAR GANTRY H2 - F
2	2232023-3	1.000	No	TRIM RING, SCAN WINDOW, H
3	2257240	2.000	No	MTG PLATE GANTRY COVERS H
4	2275845	4.000	No	BRACKET FOR COVER DOLLIES
5	2258071	4.000	No	BRACKET, LATCH
6	2275621	2.000	No	BRKT TOP CVR SUPPORT REAR
7	2277655-3	4.000	No	LATCH, HANDLE ASSEMBLY
8	2256908	2.000	No	MNTG BLOCK FOR ROUND PIN
9	2277653	10.000	No	CLIP, TINNEMAN RECEIVER
10	46-328417P2	16.000	No	SCREW HEXAGON SOCKET 4 MM
11	46-328417P3	4.000	No	SCREW HEXAGON SOCKET 4 MM
12	46-328417P7	8.000	No	SCREW HEXAGON SOCKET 4 MM
13	2103580-12	2.000	No	SCREW COUNTERSUNK HEA 6 M
14	46-328417P12	12.000	No	SCREW HEXAGON SOCKET 6 MM
15	46-328417P16	4.000	No	SCREW HEXAGON SOCKET 6 MM
16	46-328430P2	12.000	No	WASHER PLAIN - NORMAL 4.3
17	46-328430P3	2.000	No	WASHER PLAIN - NORMAL 6.4
18	2281998	20.000	No	POP RIVET
19	46-328425P1	4.000	No	NUT HEXAGON 4 MM
21	46-229060P1	2.000	No	LASER APERTURE, DONT STAR
23	46-328432P2	4.000	No	WASHER LOCK - SPRING 4.1
24	46-170683P1	AR	No	LOCTITE 222, 10CC BOTTLE
25	2270461	1.000	No	REAR COVER W/OPTIONAL CON
27	46-208747P2	19.000	No	CABLE TIE MOUNT ADHESIVE
29	46-208758P9	19.000	No	11.08"X .140" SELF-LOCKIN
30	46-220191P3	4.000	No	PANDUIT FCM2-A-C14 GRAY,

Table 4-71 Cover Sub-Assy, Rear Gantry - FRP (2291369 BOM, rev 3)

8.3 COVER SUB-ASSY, FRONT GANTRY-H4 (2361871)

FRU = YES

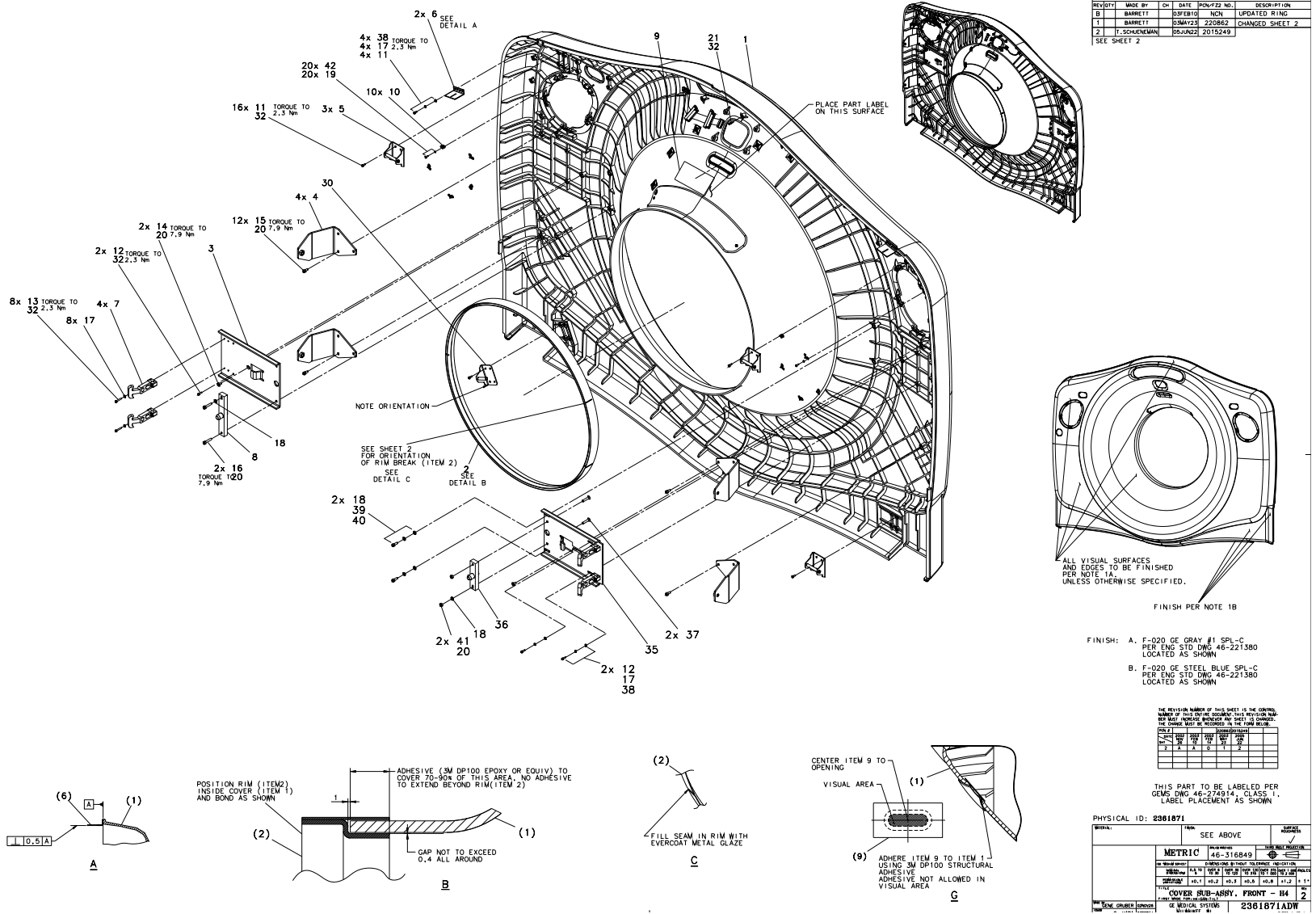


Figure 4-94 Cover Sub Assembly, Front Gantry-H4 (2361871 sheet 1, Rev 2)

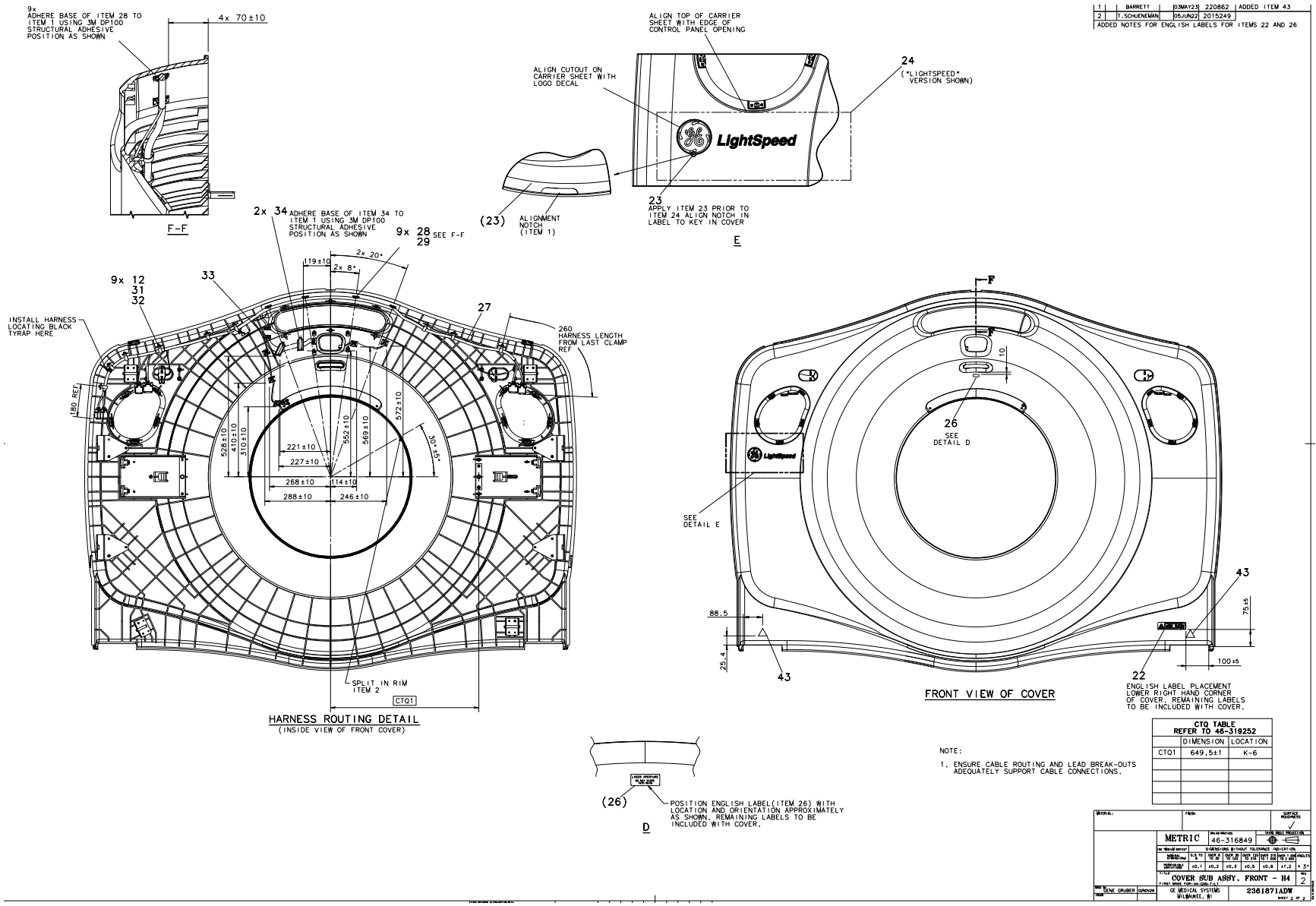


Figure 4-95 Cover Sub Assembly, Front Gantry-H4 (2361871, sheet 2, rev 2)

MARK	NUMBER	QTY	FRU	DESCRIPTION
1	2334329	1.0	No	FRONT GANTRY COVER - H4
2	2324081	1.0	Yes	TRIM RING, SCAN WINDOW
3	2257240	1.0	No	MTG PLATE GANTRY COVERS H2
4	2275845	4.0	Yes	BRACKET FOR COVER DOLLIES H2
5	2258071	3.0	Yes	BRACKET, LATCH
6	2275621	2.0	No	BRKT TOP CVR SUPPORT REAR H2
7	2277655-3	4.0	Yes	LATCH, HANDLE ASSEMBLY
8	2256908	1.0	No	MNTG BLOCK FOR ROUND PIN H2 COVER
9	2276371	1.0	Yes	WINDOW, LASER
10	2277653	10.0	No	CLIP, TINNEMAN RECEIVER
11	46-328417P2	29.0	Yes	SCREW HEXAGON SOCKET 4 MM 8 MM ZINC PLATED, STEEL
12	46-328417P4	4.0	Yes	SCREW HEXAGON SOCKET 4 MM 12 MM ZINC PLATED, STEEL
13	46-328417P7	8.0	Yes	SCREW HEXAGON SOCKET 4 MM 25 MM ZINC PLATED, STEEL
14	2103580-12	2.0	Yes	SCREW COUNTERSUNK HEA 6 MM 12 MM CAP SCREWS BLACK OXIDE, STEEL
15	46-328417P12	12.0	Yes	SCREW HEXAGON SOCKET 6 MM 12 MM ZINC PLATED, STEEL
16	46-328417P16	2.0	Yes	SCREW HEXAGON SOCKET 6 MM 30 MM ZINC PLATED, STEEL
17	46-328430P2	14.0	Yes	WASHER PLAIN - NORMAL 4.3 MM 9 MM ZINC PLATED, STEEL
18	46-328430P3	4.0	Yes	WASHER PLAIN - NORMAL 6.4 MM 12 MM ZINC PLATED, STEEL
19	2281998	20.0	No	POP RIVET
20	46-170686P3	0.0	Yes	LOCTITE 242, 50CC 12 MONTH SHELF LIFE FROM DATE OF SHIPMENT FROM THE MANUFACTURER.
21	2277654	1.0	Yes	STUD, TINNEMAN BALL
22	2351331	1.0	Yes	P2050EK LASER CAUTION LABEL GBL
23	2269030-14	1.0	No	ENCAPSULATED GE LOGO - DIAMETER 60 BACKGROUND COLOR - GEMS DARK BLUE
24	2280043	1.0	No	LABEL, LIGHTSPEED H2
26	2215795	1.0	Yes	P9230EV CAUTION LABEL3
27	2260353	1.0	Yes	CAN HARNESS FRONT COVER H2

Table 4-72 Cover Sub Assembly, Front Gantry-H4 (2361871BOM, Rev 3)

MARK	NUMBER	QTY	FRU	DESCRIPTION
28	46-208747P2	9.0	Yes	ADHESIVE MOUNT - CABLE TIE
29	46-208758P9	9.0	Yes	11.08~X .140~ SELF-LOCKING CABLE TIE 1/16~ TO 3~ WIRE BUNDLE RANGE. 40LB TENSILE STRENGTH, NYLON MATR~L. (DWG REV 5/92, JFK - OK).
30	2281941	1.0	No	LATCH BRACKET
31	46-208714P11	9.0	Yes	CABLE OD 0.75 RICHCO NO. N-12B
32	46-170683P1	0.0	Yes	LOCTITE 222, 10CC BOTTLE 12 MONTH SHELF LIFE FROM DATE OF SHI PMENT FROM THE MANUFACTURER
33	2271663	1.0	Yes	Cable From Display to Breathing Lights
34	46-220191P3	2.0	Yes	PANDUIT FCM2-A-C14 GRAY, FLAT CABLE
35	2292912	1.0	No	MTG PLT GANTRY COVERS H2-ADJUSTABLE
36	2292913	1.0	No	MTG BLOCK RND PIN H2 CVRS-ADJUSTABLE
37	2103580-16	2.0	Yes	SCREW COUNTERSUNK HEA 6 MM 30 MM CAP SCREWS BLACK OXIDE, STEEL
38	46-328432P2	6.0	Yes	WASHER LOCK - SPRING 4.1 MM 7.6 MM ZINC PLATED, SPRING STEEL
39	46-328417P13	2.0	Yes	SCREW HEXAGON SOCKET 6 MM 16 MM ZINC PLATED, STEEL
40	46-328432P3	2.0	Yes	WASHER LOCK - SPRING 6.1 MM 11.8 MM ZINC PLATED, SPRING STEEL
41	46-328425P2	2.0	Yes	NUT HEXAGON 6 MM
42	46-328430P9	20.0	Yes	WASHER PLAIN - NORMAL 3.2 MM 7 MM
43	2374202	2.0	Yes	LABEL CAUTION IEC 878

Table 4-72 Cover Sub Assembly, Front Gantry-H4 (2361871BOM, Rev 3)(Continued)

8.4 Patient Sensor, Large (2277404)

FRU = YES

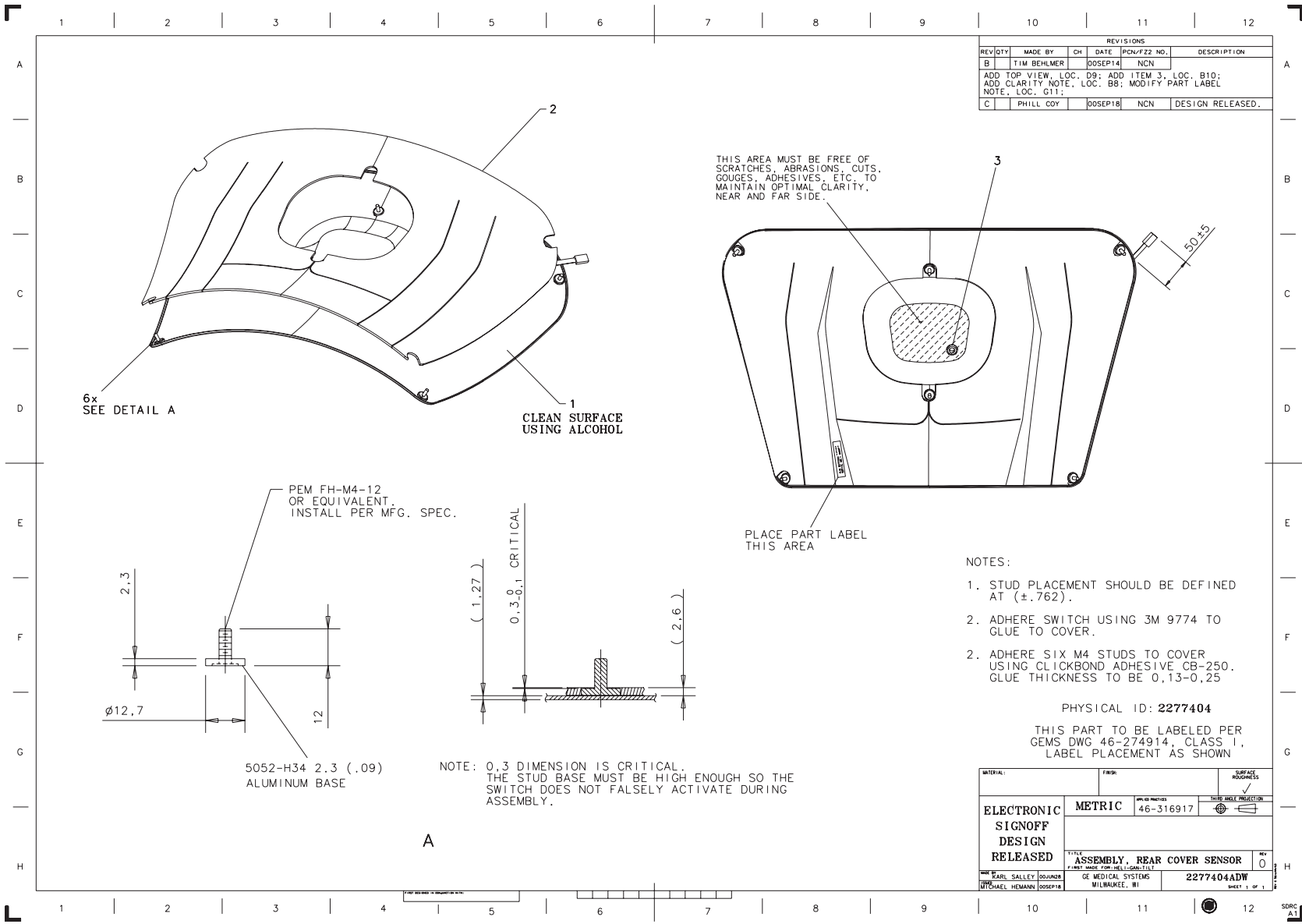


Figure 4-96 Patient Sensor, Large (2277404 sheet 1, rev 0)

MARK	NUMBER	QTY	FRU	DESCRIPTION/NAME
1	2258040	1.000	No	THERMOFORMED COVER, REAR
2	2277596	1.000	No	SWITCH, REAR PATIENT SENS
3	2283767	1.000	No	GROMMET, RUBBER FOR MIC H

Table 4-73 Patient Sensor, Large (2277404 BOM, rev 0)

Section 9.0 — Gantry Top Covers Kit - RIM (2292881)

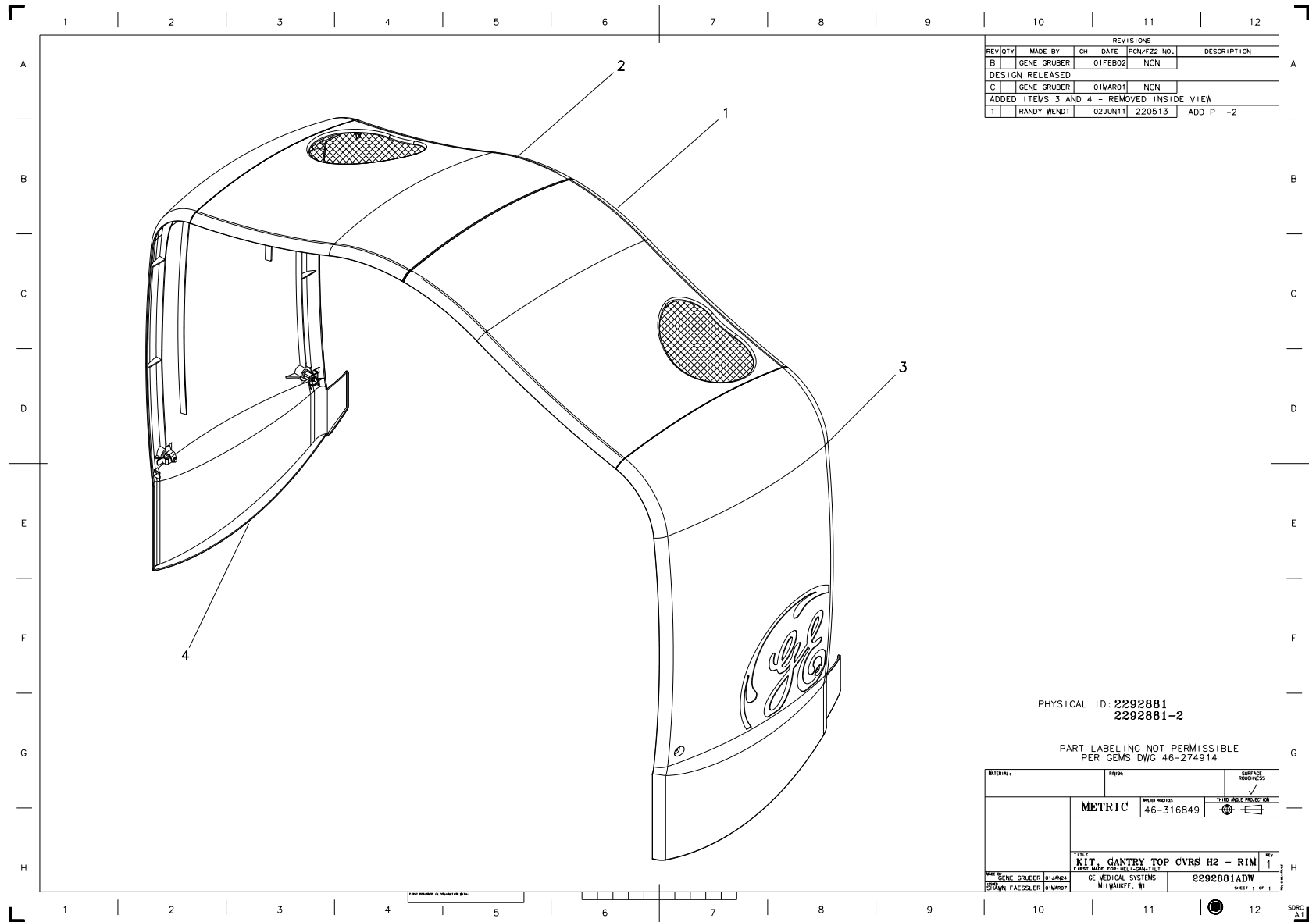


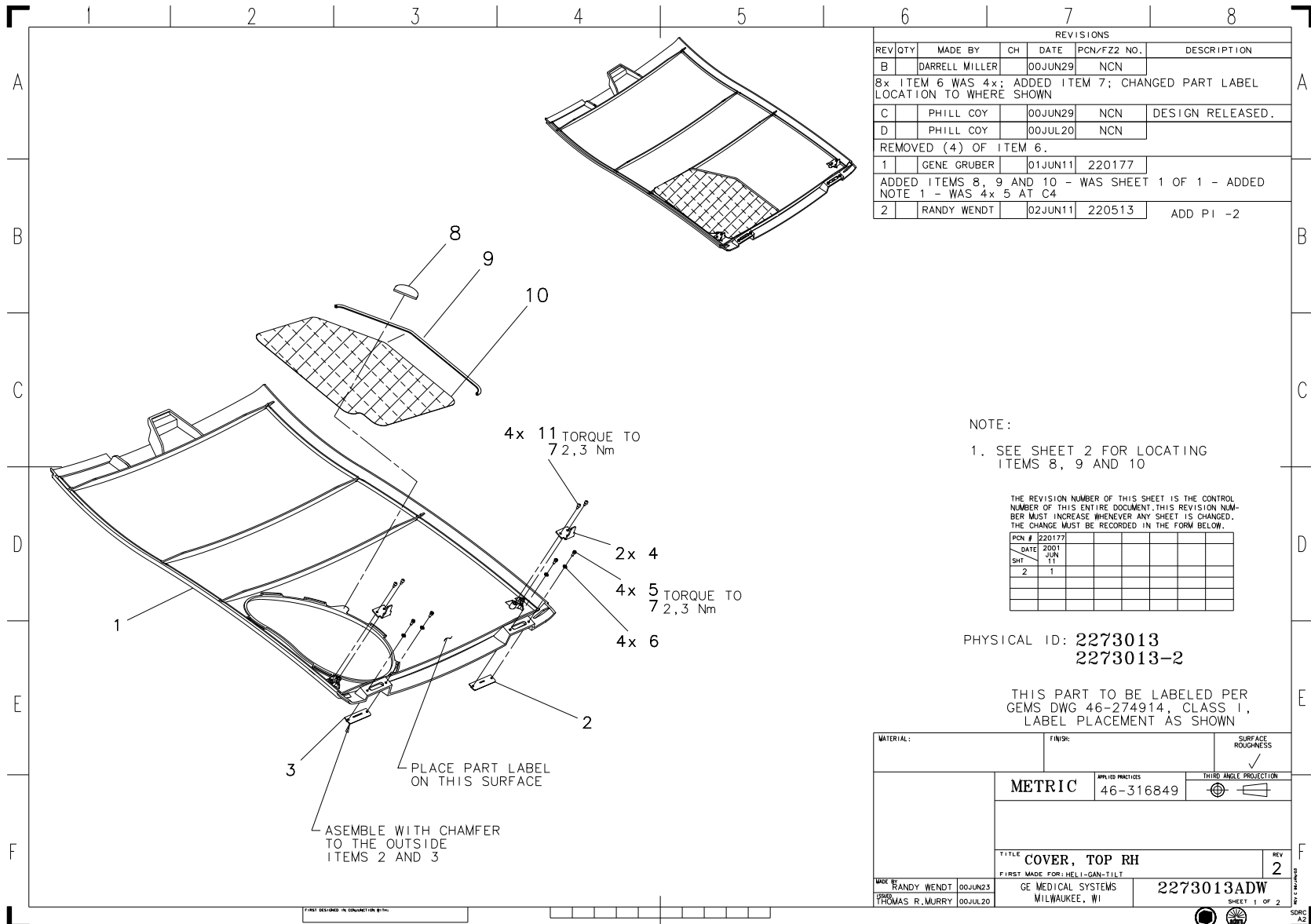
Figure 4-97 Gantry Top Covers Kit - RIM (2292881, sheet 1, rev 1)

MARK	NUMBER	QTY	FRU	DESCRIPTION/NAME
1	2273013	1.000	Yes	COVER ASSY, GANTRY TOP RH {For further detail, see Section 9.1 , beginning on page 362 .}
2	2273014	1.000	Yes	COVER ASSY, GANTRY TOP LH {For further detail, see Section 9.2 , beginning on page 364 .}
3	2276690	1.000	Yes	COVER ASM, SIDE GANTRY RI {For further detail, see Section 9.3 , beginning on page 366 .}
4	2276691	1.000	Yes	COVER ASM, SIDE GANTRY LE {For further detail, see Section 9.4 , beginning on page 368 .}

Table 4-74 Gantry Top Covers Kit - RIM (2292881 BOM, rev 2)

9.1 Cover Assy, Top RH (2273013)

FRU = YES



REVISIONS						
REV	QTY	MADE BY	CH	DATE	PCN/FZZ NO.	DESCRIPTION
B		DARRELL MILLER		00JUN29	NCN	8x ITEM 6 WAS 4x; ADDED ITEM 7; CHANGED PART LABEL LOCATION TO WHERE SHOWN
C		PHILL COY		00JUN29	NCN	DESIGN RELEASED.
D		PHILL COY		00JUL20	NCN	REMOVED (4) OF ITEM 6.
1		GENE GRUBER		01JUN11	220177	ADDED ITEMS 8, 9 AND 10 - WAS SHEET 1 OF 1 - ADDED NOTE 1 - WAS 4x 5 AT C4
2		RANDY WENDT		02JUN11	220513	ADD PI -2

NOTE:

- SEE SHEET 2 FOR LOCATING ITEMS 8, 9 AND 10

THE REVISION NUMBER OF THIS SHEET IS THE CONTROL NUMBER OF THIS ENTIRE DOCUMENT. THIS REVISION NUMBER MUST INCREASE WHENEVER ANY SHEET IS CHANGED. THE CHANGE MUST BE RECORDED IN THE FORM BELOW.

PCN #	DATE	SHT	REV	REV	REV	REV	REV	REV	REV
220177	2001 JUN 11	2	1						

PHYSICAL ID: 2273013
 2273013-2

THIS PART TO BE LABELED PER GEMS DWG 46-274914, CLASS I, LABEL PLACEMENT AS SHOWN

MATERIAL:	FINISH:	SURFACE ROUGHNESS
		<input checked="" type="checkbox"/>
METRIC		THIRD ANGLE PROJECTION
APPLIC. INCHES	46-316849	<input checked="" type="checkbox"/>
TITLE COVER, TOP RH		
REV 2		
FIRST MADE FOR: HELL-GAN-TILT		
MADE BY: RANDY WENDT 00JUN23	GE MEDICAL SYSTEMS MILWAUKEE, WI	2273013ADW
DESIGNED BY: THOMAS R. MURRY 00JUL20		SHEET 1 OF 2

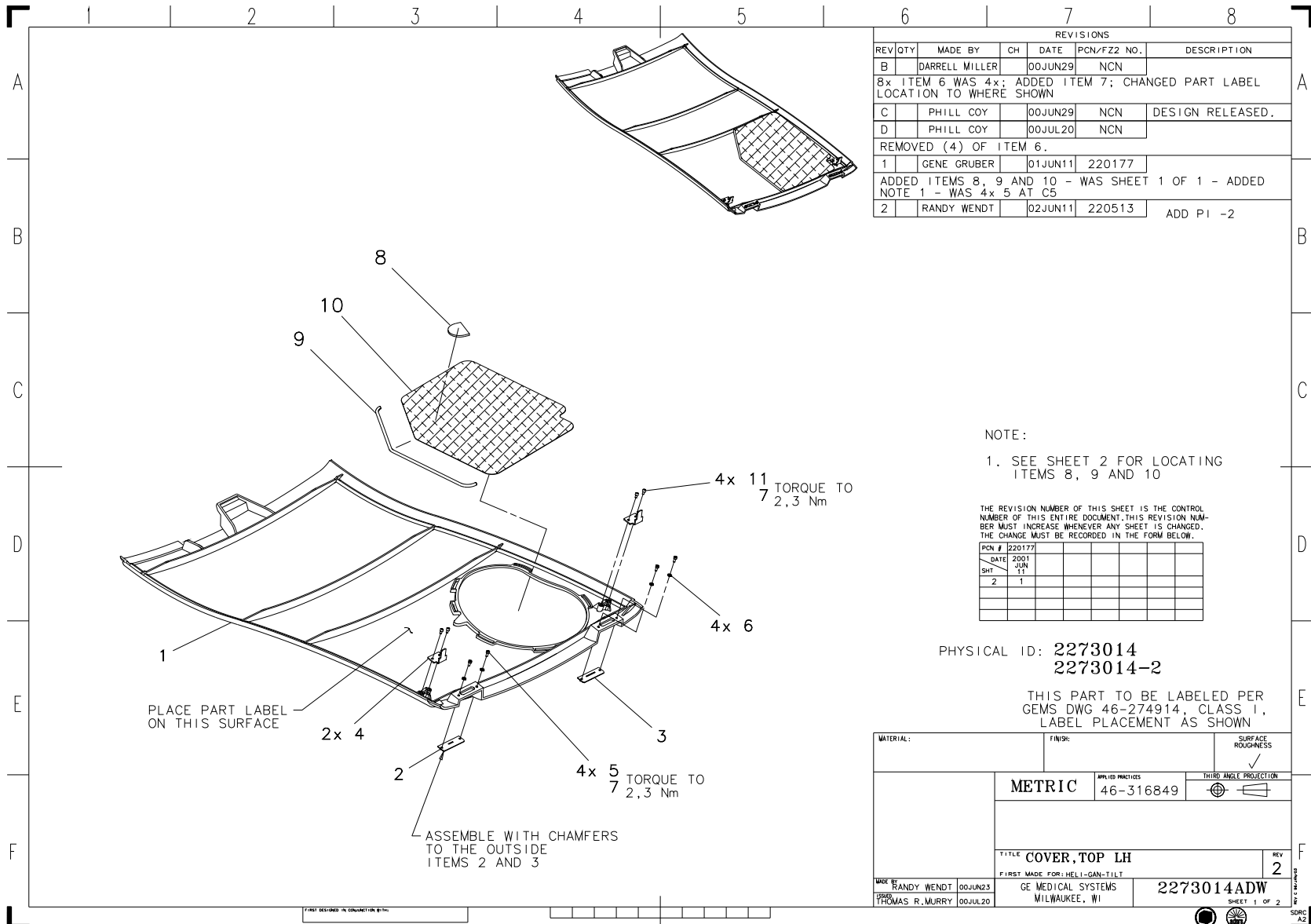
Figure 4-98 Cover Assembly, Top RH (2273013, sheet 1, rev 2)

MARK	NUMBER	QTY	FRU	DESCRIPTION/NAME
2	2295214	1.000	Yes	BRACKET, TOP COVER TAB -
3	2295214-2	1.000	Yes	BRACKET, TOP COVER TAB LO
4	2275623	2.000	Yes	BRACKET TOP COVER
1	2256732	1.000	No	COVER TOP RIGHT GANTRY
5	46-328417P3	4.000	No	SCREW HEXAGON SOCKET 4 MM
6	46-328430P2	4.000	No	WASHER PLAIN - NORMAL 4.3
7	46-170686P3	AR	No	LOCTITE 242, 50CC
9	2299733	AR	No	TUBING, SILICON RUBBER 1/
10	2299732	1.000	No	GRILL, FAN - TOP COVER H2
11	46-328417P2	4.000	No	SCREW HEXAGON SOCKET 4 MM

Table 4-75 Cover Assembly, Gantry Top RH (2273013 BOM, rev 5)

9.2 Cover Assy, Top LH (2273014)

FRU = YES



REVISIONS						
REV	QTY	MADE BY	CH	DATE	PCN/FZZ NO.	DESCRIPTION
B		DARRELL MILLER		00JUN29	NCN	
8x ITEM 6 WAS 4x; ADDED ITEM 7; CHANGED PART LABEL LOCATION TO WHERE SHOWN						
C		PHILL COY		00JUN29	NCN	DESIGN RELEASED.
D		PHILL COY		00JUL20	NCN	
REMOVED (4) OF ITEM 6.						
1		GENE GRUBER		01JUN11	220177	
ADDED ITEMS 8, 9 AND 10 - WAS SHEET 1 OF 1 - ADDED NOTE 1 - WAS 4x 5 AT C5						
2		RANDY WENDT		02JUN11	220513	ADD PI -2

NOTE:
 1. SEE SHEET 2 FOR LOCATING ITEMS 8, 9 AND 10

THE REVISION NUMBER OF THIS SHEET IS THE CONTROL NUMBER OF THIS ENTIRE DOCUMENT. THIS REVISION NUMBER MUST INCREASE WHENEVER ANY SHEET IS CHANGED. THE CHANGE MUST BE RECORDED IN THE FORM BELOW.

PCN #	DATE	SHT
220177	2001 JUN 11	1
		2

PHYSICAL ID: 2273014
 2273014-2

THIS PART TO BE LABELED PER GEMS DWG 46-274914, CLASS I, LABEL PLACEMENT AS SHOWN

MATERIAL:	FINISH:	SURFACE ROUGHNESS
		✓
METRIC	APPLIED MACHINES 46-316849	THIRD ANGLE PROJECTION
TITLE COVER, TOP LH		
FIRST MADE FOR: HELL-GAN-TILT		
REV 2		
MADE BY RANDY WENDT 00JUN23	GE MEDICAL SYSTEMS MILWAUKEE, WI	2273014ADW
DESIGNED BY THOMAS R. MURRY 00JUL20		SHEET 1 OF 2

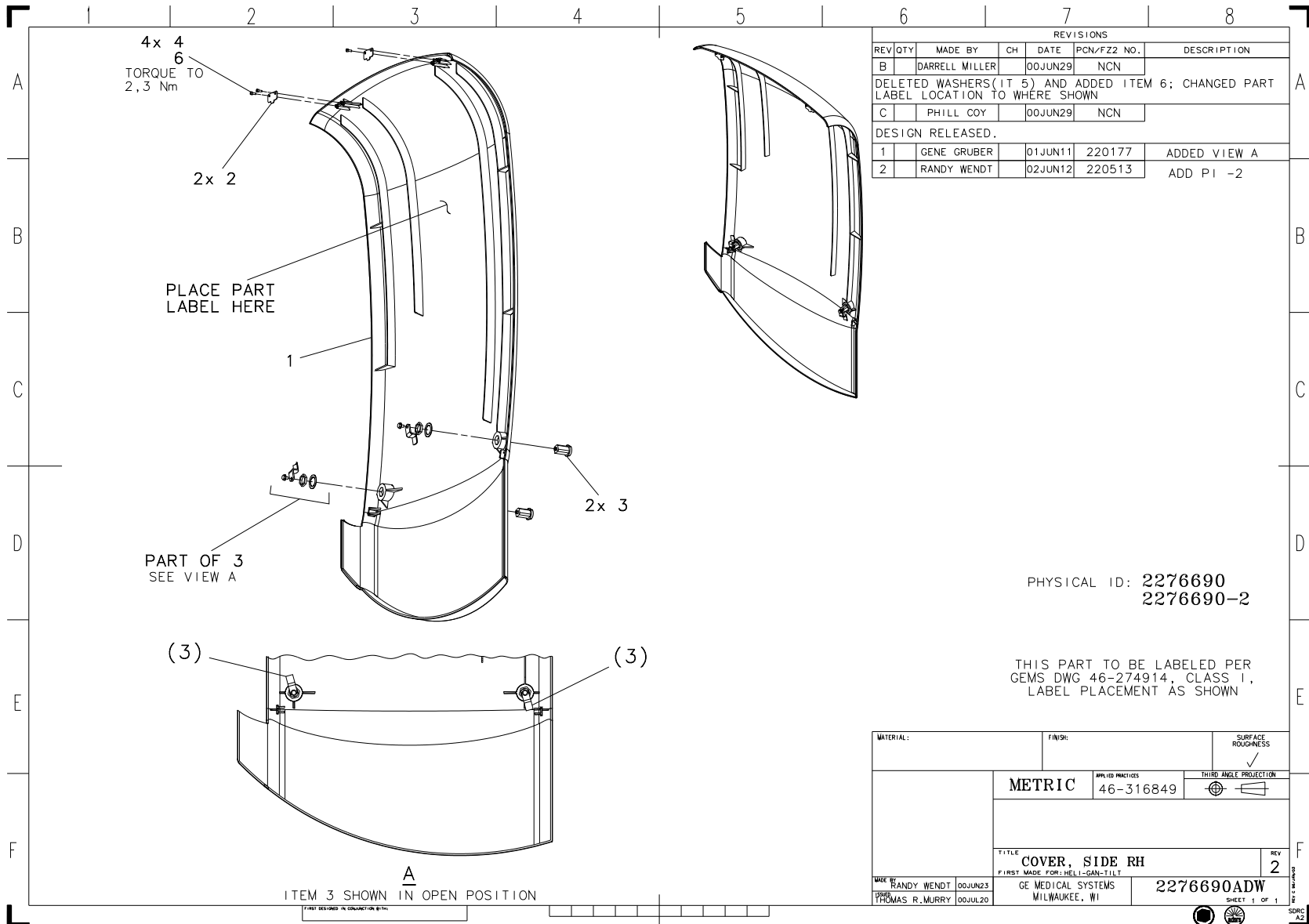
Figure 4-99 Cover Assembly, Gantry Top LH (2273014, sheet 1, rev 2)

MARK	NUMBER	QTY	FRU	DESCRIPTION/NAME
1	2256732-2	1.000	No	COVER TOP LEFT GANTRY
2	2295214	1.000	No	BRACKET, TOP COVER TAB -
3	2295214-2	1.000	No	BRACKET, TOP COVER TAB LO
4	2275623	2.000	No	BRACKET TOP COVER
5	46-328417P3	8.000	No	SCREW HEXAGON SOCKET 4 MM
6	46-328430P2	4.000	No	WASHER PLAIN - NORMAL 4.3
7	46-170686P3	AR	No	LOCTITE 242, 50CC
9	2299733	AR	No	TUBING, SILICON RUBBER 1/
10	2299732	1.000	No	GRILL, FAN - TOP COVER H2
11	46-328417P2	4.000	No	SCREW HEXAGON SOCKET 4 MM

Table 4-76 Cover Assembly, Gantry Top LH (2273014 BOM, rev 4)

9.3 Cover Assy, Right Side (2276690)

FRU = YES



REVISIONS						
REV	QTY	MADE BY	CH	DATE	PCN/FZZ NO.	DESCRIPTION
B		DARRELL MILLER		00JUN29	NCN	DELETED WASHERS(1T 5) AND ADDED ITEM 6; CHANGED PART LABEL LOCATION TO WHERE SHOWN
C		PHILL COY		00JUN29	NCN	DESIGN RELEASED.
1		GENE GRUBER		01JUN11	220177	ADDED VIEW A
2		RANDY WENDT		02JUN12	220513	ADD PI -2

PHYSICAL ID: 2276690
 2276690-2

THIS PART TO BE LABELED PER
 GEMS DWG 46-274914, CLASS 1,
 LABEL PLACEMENT AS SHOWN

MATERIAL:		FINISH:		SURFACE ROUGHNESS	
METRIC		APPLIED FINISHES	THIRD ANGLE PROJECTION		
		46-316849			
TITLE COVER, SIDE RH					
FIRST MADE FOR: HELL-GAN-TILT					
MADE BY	DATE	GE MEDICAL SYSTEMS		2276690ADW	
RANDY WENDT	00JUN23	MILWAUKEE, WI		REV 2	
THOMAS R. MURRY	00JUL20			SHEET 1 OF 1	

Figure 4-100 Cover Assembly, Right Side (2276690, sheet 1, rev 2)

MARK	NUMBER	QTY	FRU	DESCRIPTION/NAME
2	2262707	2.000	Yes	BRACKET TAB SIDE COVER GA
3	2277652	2.000	Yes	LATCH, H2 SIDE COVER COMP
1	2256381	1.000	No	COVER GANTRY SIDE R H2
4	46-328417P2	4.000	No	SCREW HEXAGON SOCKET 4 MM
6	46-170686P3	AR	No	LOCTITE 242, 50CC

Table 4-77 Cover Asm, Side Gantry Right (2276690 BOM, rev 3)

9.4 Cover Assy, Left Side (2276691)

FRU = YES

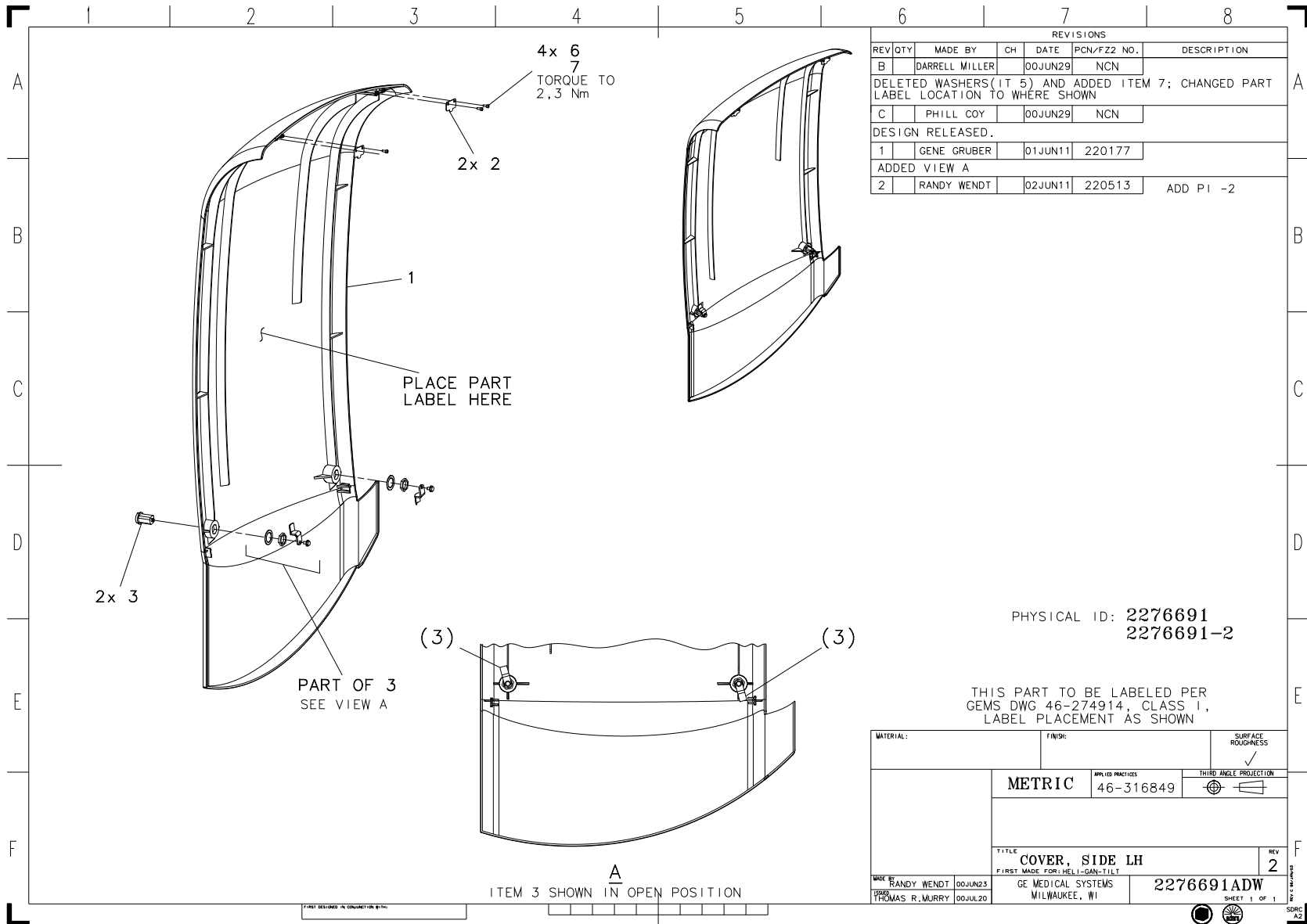
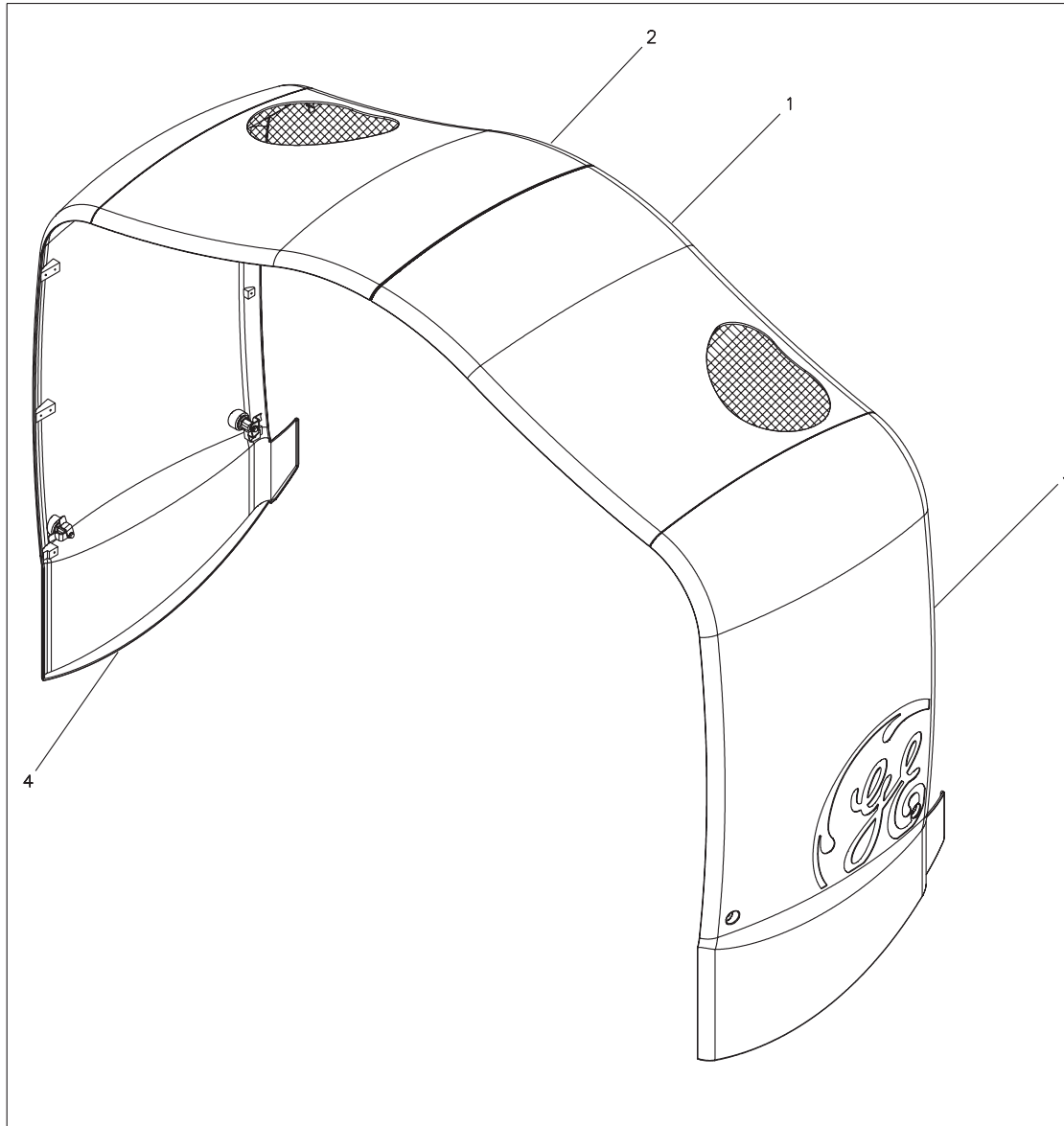


Figure 4-101 Cover Assembly, Left Side (2276691, sheet 1, rev 2)

MARK	NUMBER	QTY	FRU	DESCRIPTION/NAME
1	2256382	1.000	No	COVER GANTRY SIDE L H2
2	2262707	2.000	No	BRACKET TAB SIDE COVER GA
3	2277652	2.000	No	LATCH, H2 SIDE COVER COMP
4	46-328417P2	4.000	No	SCREW HEXAGON SOCKET 4 MM
6	46-170686P3	AR	No	LOCTITE 242, 50CC

Table 4-78 Cover Asm, Side Gantry Left (2276691 BOM, rev 2)

Section 10.0 — Gantry Top Covers Kit - FRP (2292882)



REVISIONS					
REV/DTY	MADE BY	CH	DATE	PCN/FZZ NO.	DESCRIPTION
B	GENE GRUBER		01FEB02	NCN	
DESIGN RELEASED					
C	GENE GRUBER		01FEB23	NCN	
PICTURE UPDATE ONLY (CENTER TAB WAS SHEET METAL)					
D	GENE GRUBER		01MAY01	NCN	
ADDED ITEMS 3 AND 4 - REMOVED INSIDE VIEW					

PART LABELING NOT PERMISSIBLE
 PER GEMS DWG 46-274914

PHYSICAL ID: 2292882

MATERIAL:	FIBER:	SURFACE ROUGHNESS	
ELECTRONIC SIGNOFF DESIGN RELEASED	METRIC	46-316849	<input checked="" type="checkbox"/> HOLE <input type="checkbox"/> HOLE PROJECTION
	TITLE KIT, GANTRY TOP CVRS H2 - FRP		
DWG: GENE GRUBER 01JAN24 DRAWN: WIN FAESSLER 01MAY01	GE MEDICAL SYSTEMS MILWAUKEE, WI	2292882ADW	REV 0 SHEET 1 OF 1

Figure 4-102 Gantry Top Covers Kit - FRP (2292882, sheet 1, rev 0)

MARK	NUMBER	QTY	FRU	DESCRIPTION/NAME
1	2290538	1.000	Yes	COVER ASSY, TOP RH - FRP {For further detail, see Section 10.1 , beginning on page 372 .}
2	2290539	1.000	Yes	COVER ASSY, TOP LH - FRP {For further detail, see Section 10.2 , beginning on page 374 .}
3	2290540	1.000	Yes	COVER ASSY, SIDE RH - FRP {For further detail, see Section 10.3 , beginning on page 376 .}
4	2290541	1.000	Yes	COVER ASSY, SIDE LH - FRP {For further detail, see Section 10.4 , beginning on page 378 .}

Table 4-79 Gantry Top Covers Kit - FRP (2292882 BOM, rev 1)

10.1 Cover Assy, Top RH - FRP (2290538)

FRU = YES

REVISIONS						
REV	QTY	MADE BY	CH	DATE	PCN/F22 NO.	DESCRIPTION
B		GENE GRUBER		01JAN23	NCN	
PICTURE UPDATE ONLY PER REV B ITEM 1						
C		GENE GRUBER		01FEB02	NCN	
DESIGN RELEASED						
D		GENE GRUBER		01MAR01	NCN	
PICTURE UPDATE ONLY (ITEM 1 TAB WAS SHEET METAL)						

NOTE:
 1. TORQUE ITEM 8 TO 2,3 Nm

THIS PART TO BE LABELED PER GEMS DWG 46-274914, CLASS 1, LABEL PLACEMENT AS SHOWN

PHYSICAL ID: 2290538

MATERIAL:		FINISH:		SURFACE ROUGHNESS	
ELECTRONIC SIGNOFF DESIGN RELEASED		METRIC		APPLIC PRACTICES 46-316849	
ISO "MEDIUM SERIES"		DIMENSIONS WITHOUT TOLERANCE INDICATION		THIRD ANGLE PROJECTION	
NOMINAL DIMENSIONS	0.5 TO 6	OVER 6 TO 30	OVER 30 TO 120	OVER 120 TO 315	OVER 315 TO 1 000
PERMISSIBLE VARIATIONS	±0.1	±0.2	±0.3	±0.5	±0.8
TITLE COVER ASSY, TOP RH - FRP					REV 0
MADE BY GENE GRUBER 00DEC15		GE MEDICAL SYSTEMS MILWAUKEE, WI		2290538ADW	
DRAWN SHAWN FAESSLER 01MAR07				SHEET 1 OF 1	

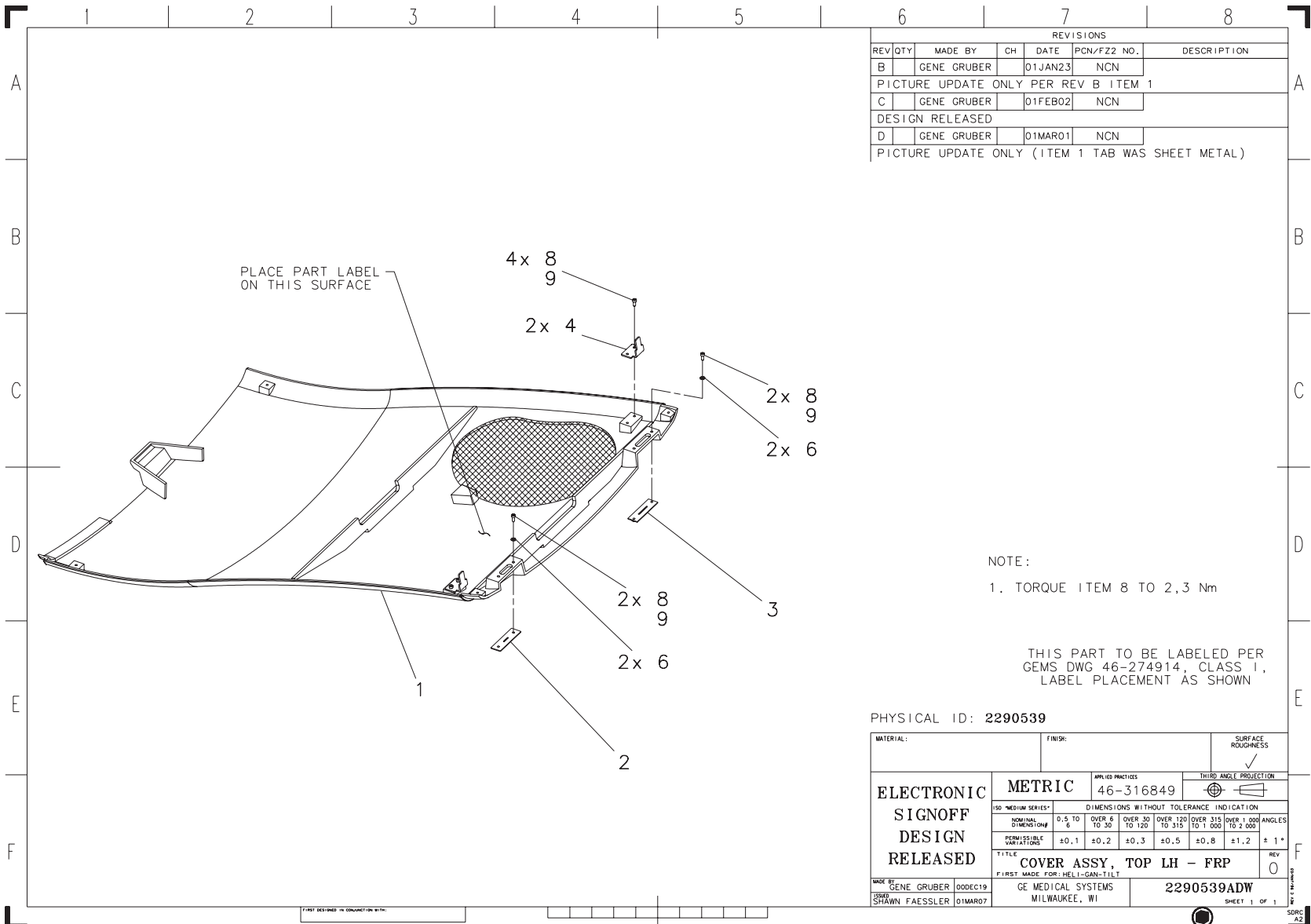
Figure 4-103 Top Cover Assembly, RH - FRP (2290538, sheet 1, rev 0)

MARK	NUMBER	QTY	FRU	DESCRIPTION/NAME
2	2261641	1.000	Yes	TOP AND SIDE COVER MTG BR
3	2261641-2	1.000	Yes	TOP AND SIDE COVER MTG BR
1	2290536	1.000	No	COVER, TOP RH - FRP
4	2275623	2.000	No	BRACKET TOP COVER
6	46-328430P2	4.000	No	WASHER PLAIN - NORMAL 4.3
8	46-328417P3	8.000	No	SCREW HEXAGON SOCKET 4 MM
9	46-170686P3	AR	No	LOCTITE 242, 50CC

Table 4-80 Cover Assy, Top RH - FRP (2290538 BOM, rev 1)

10.2 Cover Assy, Top LH - FRP (2290539)

FRU = YES



REVISIONS						
REV	QTY	MADE BY	CH	DATE	PCN/FZ2 NO.	DESCRIPTION
B		GENE GRUBER		01JAN23	NCN	PICTURE UPDATE ONLY PER REV B ITEM 1
C		GENE GRUBER		01FEB02	NCN	DESIGN RELEASED
D		GENE GRUBER		01MAR01	NCN	PICTURE UPDATE ONLY (ITEM 1 TAB WAS SHEET METAL)

NOTE:
 1. TORQUE ITEM 8 TO 2,3 Nm

THIS PART TO BE LABELED PER
 GEMS DWG 46-274914, CLASS I,
 LABEL PLACEMENT AS SHOWN

PHYSICAL ID: 2290539

MATERIAL:		FINISH:		SURFACE ROUGHNESS	
ELECTRONIC		METRIC		46-316849	
SIGNOFF		APPLIC PRACTICES		THIRD ANGLE PROJECTION	
DESIGN		ISO "MEDIUM SERIES"		DIMENSIONS WITHOUT TOLERANCE INDICATION	
RELEASED		NOMINAL DIMENSIONS		PERMISSIBLE VARIATIONS	
		0,5 TO 6		±0,1 ±0,2	
		OVER 6 TO 30		±0,3 ±0,5	
		OVER 30 TO 120		±0,8 ±1,2	
		OVER 120 TO 315		±1,2 ±1*	
		OVER 315 TO 1 000			
		OVER 1 000 TO 2 000			
		ANGLES			
TITLE		COVER ASSY, TOP LH - FRP		REV 0	
FIRST MADE FOR:		HELI-GAN-TILT			
MADE BY		GE MEDICAL SYSTEMS		2290539ADW	
GENE GRUBER		MILWAUKEE, WI		SHEET 1 of 1	
D0DEC19		D1MAR07		SDRC A2	

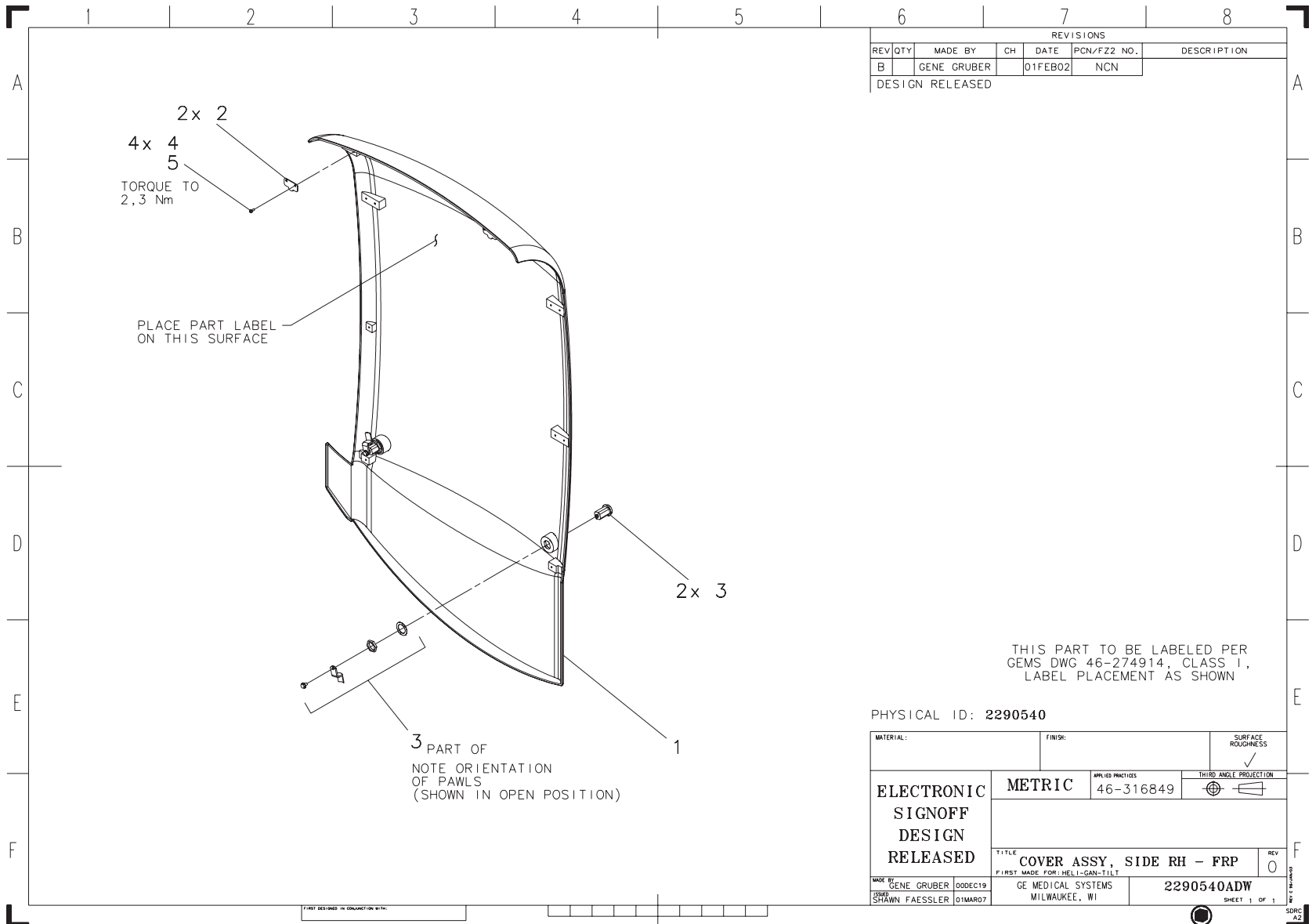
Figure 4-104 Top Cover Assembly, LH - FRP (2290539, sheet 1, rev 0)

MARK	NUMBER	QTY	FRU	DESCRIPTION/NAME
1	2290536-2	1.000	No	COVER, TOP LH - FRP
2	2261641	1.000	No	TOP AND SIDE COVER MTG BR
3	2261641-2	1.000	No	TOP AND SIDE COVER MTG BR
4	2275623	2.000	No	BRACKET TOP COVER
6	46-328430P2	4.000	No	WASHER PLAIN - NORMAL 4.3
8	46-328417P3	8.000	No	SCREW HEXAGON SOCKET 4 MM
9	46-170686P3	AR	No	LOCTITE 242, 50CC

Table 4-81 Cover Assy, Top LH - FRP (2290539 BOM, rev 0)

10.3 Cover Assy, Side RH - FRP (2290540)

FRU = YES



REVISIONS						
REV	QTY	MADE BY	CH	DATE	PCN/FZ2 NO.	DESCRIPTION
B		GENE GRUBER		01FEB02	NCN	DESIGN RELEASED

THIS PART TO BE LABELED PER
 GEMS DWG 46-274914, CLASS 1,
 LABEL PLACEMENT AS SHOWN

PHYSICAL ID: 2290540

MATERIAL:		FINISH:		SURFACE ROUGHNESS	
ELECTRONIC SIGNOFF DESIGN RELEASED		METRIC	46-316849	THIRD ANGLE PROJECTION	
TITLE		COVER ASSY, SIDE RH - FRP		REV 0	
FIRST MADE FOR: HELIX-GAN-TILT		GE MEDICAL SYSTEMS MILWAUKEE, WI		2290540ADW	
MADE BY	GENE GRUBER	DDDEC19	GE MEDICAL SYSTEMS MILWAUKEE, WI		2290540ADW
BY	SHAWN FAESSLER	01MAR07	SHEET 1 OF 1		SDRC A2

Figure 4-105 Side Cover Assembly, RH - FRP (2290540, sheet 1, rev 0)

MARK	NUMBER	QTY	FRU	DESCRIPTION/NAME
1	2290537	1.000	No	COVER, SIDE RH - FRP
2	2262707	2.000	No	BRACKET TAB SIDE COVER GA
3	2277652	2.000	No	LATCH, H2 SIDE COVER COMP
4	46-328417P2	4.000	No	SCREW HEXAGON SOCKET 4 MM
9	46-170686P3	AR	No	LOCTITE 242, 50CC

Table 4-82 Cover Assy, Side RH - FRP (2290540 BOM, rev 0)

10.4 Cover Assy, Side LH - FRP (2290541)

FRU = YES

REVISIONS						
REV	QTY	MADE BY	CH	DATE	PCN/F22 NO.	DESCRIPTION
B		GENE GRUBER		01FEB02	NCN	DESIGN RELEASED

THIS PART TO BE LABELED PER
 GEMS DWG 46-274914, CLASS 1,
 LABEL PLACEMENT AS SHOWN

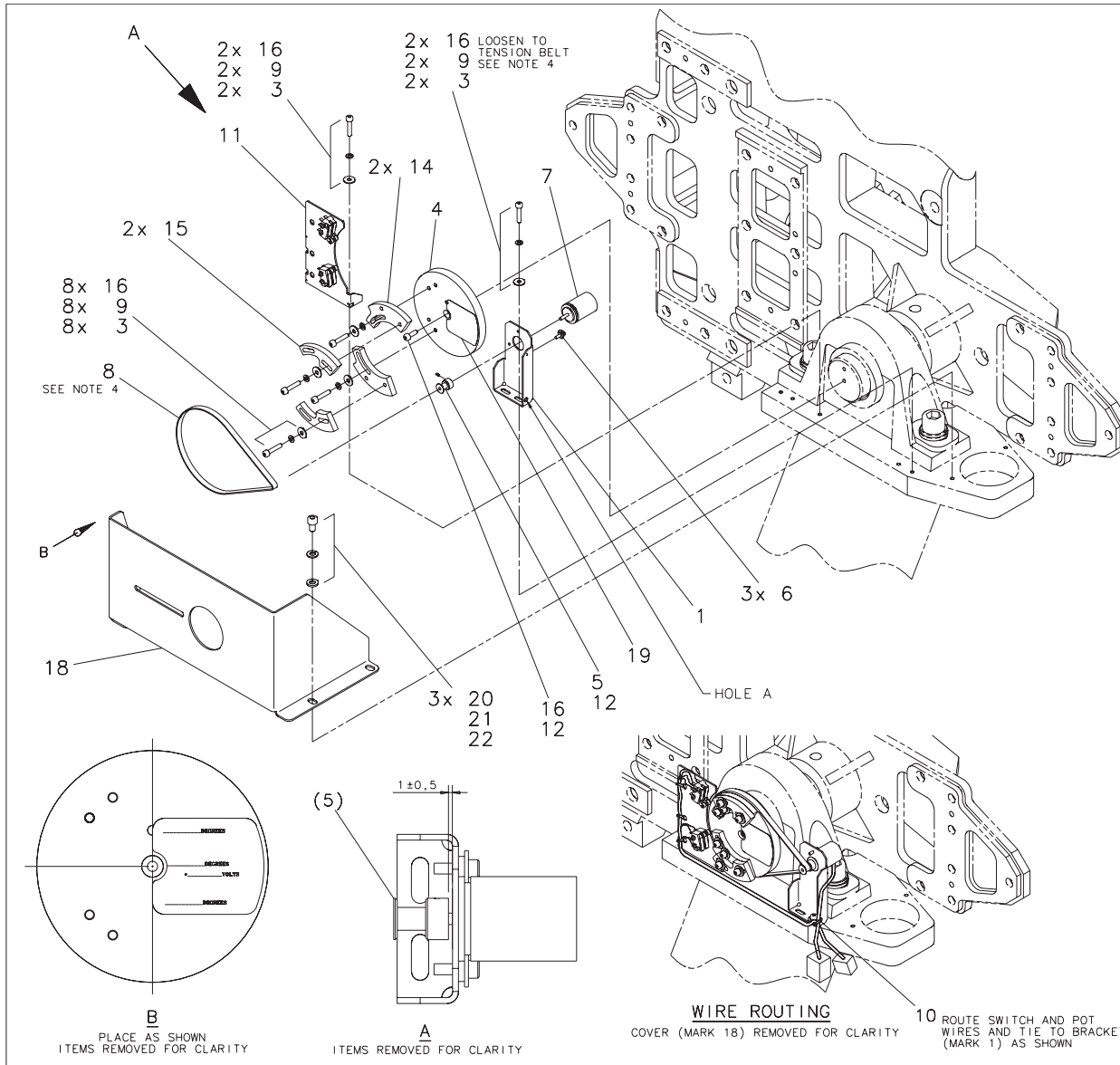
MATERIAL:		FINISH:		SURFACE ROUGHNESS	
ELECTRONIC SIGNOFF DESIGN RELEASED		METRIC		APL ID PRACTICES 46-316849	
TITLE COVER ASSY, SIDE LH - FRP		FIRST MADE FOR: HELI-GAN-TILT		THIRD ANGLE PROJECTION	
MADE BY GENE GRUBER 00DEC19		GE MEDICAL SYSTEMS MILWAUKEE, WI		2290541ADW	
DRAWN SHAWN FAESSLER 01MAR07				REV 0 SHEET 1 OF 1	

Figure 4-106 Side Cover Assembly, LH - FRP (2290541, sheet 1, rev 0)

MARK	NUMBER	QTY	FRU	DESCRIPTION/NAME
1	2290946	1.000	Yes	COVER, SIDE GANTRY LH - FRP
2	2262707	2.000	No	BRACKET TAB SIDE COVER GA
3	2277652	2.000	No	LATCH, H2 SIDE COVER COMP
4	46-328417P2	4.000	No	SCREW HEXAGON SOCKET 4 MM
9	46-170686P3	AR	No	LOCTITE 242, 50CC

Table 4-83 Cover Assy, Side LH - FRP (2290541 BOM, rev 1)

Section 11.0 — Tilt Pot Assembly (2178677)



REVISIONS					
REV/TTY	MADE BY	CH	DATE	PCN/FZZ NO.	DESCRIPTION
B	S. BERNARD		98JAN30	NCN	
REVISED AND REDRAWN					
C	GENE GRUBER		99JUL01	NCN	
COMPONENTS WERE ON LEFT SIDE OF BASE - FIRST MADE FOR WAS HELI-GAN-STAT					
D	GENE GRUBER		99DEC28	NCN	
REMOVED PIN ITEM 11; ITEM 12 WAS 10 AT B2; COMPONENTS WERE ON RIGHT SIDE OF BASE					
E	KARL SALLEY		00APR05	NCN	
ADDED ITEMS 11 THRU 18. ADDED VIEWS B AND C. ADDED NOTES 5 AND 6.					
F	PHILL COY		00JUN13	NCN	
REVERSED RED/BRWN RED/BLUE INTERFERENCE. LIMIT. DESIGN RELEASED					
G	KARL SALLEY		00JUN22	NCN	
RENUMBER ITEM 19 WAS ITEM 18					
H	GENE GRUBER		00JUL12	NCN	
3x 20, 21, 22 WAS 3x 16, 9, 3 AT F5; NOTE 6 WAS PER *SHEET 2*					
J	JAIME LEHRER		00SEP15	NCN	ADD NOTE 7.
CORRECT LIMIT SWITCH LOCATIONS (SWAP FORWARD AND BACK)					
1	GENE GRUBER		01MAR12	220043	
MARK 11 WAS 10 & 11; MARK 14 & 15 WERE 1 EACH; ADDED ROUTING DETAIL, NEW MARK 10 TIE & 4 MARK 16					

NOTES:

1. TORQUE SET SCREW IN MARK 5 TO 0,7 Nm.
2. TORQUE MARK 16 TO 2,3 Nm, 13 PLACES.
3. TORQUE MARK 6 (SYN-CLAMP) TO 0,7 Nm.
4. INSTALL MARK 8 (BELT) WITH EDGE PARALLEL TO MARK 4 (LARGE PULLEY). WITH MTG SCREWS (MARK 16) LOOSENED, TENSION BELT. APPLY A FORCE OF 0,56 N AT HOLE 'A' AND TIGHTEN SCREWS.
5. POSITION MARK 10 SUCH THAT THE LIMIT SWITCHES IN MARK 11 ARE ACTUATED BY THE LIMIT CAMS (MARKS 14 & 15).
6. ASSEMBLE & CHARACTERIZE TILT PER 2178677INS.

PHYSICAL ID: 2178677

MATERIAL:		FINISH:		SURFACE ROUGHNESS:	
ELECTRONIC SIGNOFF DESIGN RELEASED		METRIC 46-316849		DIME MILL PROJECTION	
DR. MEDICAL SYSTEMS		DIMENSIONS WITHOUT TOLERANCE INDICATION			
0.5 TO 10	0.05 ± 0.6	0.05 ± 0.30	0.05 ± 0.125	0.05 ± 0.075	0.05 ± 0.050
10 TO 50	0.10 ± 1.0	0.10 ± 0.50	0.10 ± 0.25	0.10 ± 0.150	0.10 ± 0.100
50 TO 100	0.15 ± 1.5	0.15 ± 0.75	0.15 ± 0.375	0.15 ± 0.225	0.15 ± 0.150
100 TO 300	0.20 ± 2.0	0.20 ± 1.0	0.20 ± 0.50	0.20 ± 0.300	0.20 ± 0.200
300 TO 500	0.25 ± 2.5	0.25 ± 1.25	0.25 ± 0.625	0.25 ± 0.375	0.25 ± 0.250
500 TO 1000	0.30 ± 3.0	0.30 ± 1.5	0.30 ± 0.75	0.30 ± 0.450	0.30 ± 0.300
1000 TO 2000	0.35 ± 3.5	0.35 ± 1.75	0.35 ± 0.875	0.35 ± 0.525	0.35 ± 0.350
2000 TO 5000	0.40 ± 4.0	0.40 ± 2.0	0.40 ± 1.0	0.40 ± 0.600	0.40 ± 0.400
5000 TO 10000	0.45 ± 4.5	0.45 ± 2.25	0.45 ± 1.125	0.45 ± 0.675	0.45 ± 0.450
10000 TO 20000	0.50 ± 5.0	0.50 ± 2.5	0.50 ± 1.25	0.50 ± 0.750	0.50 ± 0.500
20000 TO 50000	0.55 ± 5.5	0.55 ± 2.75	0.55 ± 1.375	0.55 ± 0.825	0.55 ± 0.550
50000 TO 100000	0.60 ± 6.0	0.60 ± 3.0	0.60 ± 1.5	0.60 ± 0.900	0.60 ± 0.600
100000 TO 200000	0.65 ± 6.5	0.65 ± 3.25	0.65 ± 1.625	0.65 ± 0.975	0.65 ± 0.650
200000 TO 500000	0.70 ± 7.0	0.70 ± 3.5	0.70 ± 1.75	0.70 ± 1.050	0.70 ± 0.700
500000 TO 1000000	0.75 ± 7.5	0.75 ± 3.75	0.75 ± 1.875	0.75 ± 1.125	0.75 ± 0.750
1000000 TO 2000000	0.80 ± 8.0	0.80 ± 4.0	0.80 ± 2.0	0.80 ± 1.200	0.80 ± 0.800
2000000 TO 5000000	0.85 ± 8.5	0.85 ± 4.25	0.85 ± 2.125	0.85 ± 1.275	0.85 ± 0.850
5000000 TO 10000000	0.90 ± 9.0	0.90 ± 4.5	0.90 ± 2.25	0.90 ± 1.350	0.90 ± 0.900
10000000 TO 20000000	0.95 ± 9.5	0.95 ± 4.75	0.95 ± 2.375	0.95 ± 1.425	0.95 ± 0.950
20000000 TO 50000000	1.00 ± 10.0	1.00 ± 5.0	1.00 ± 2.5	1.00 ± 1.500	1.00 ± 1.000
50000000 TO 100000000	1.05 ± 10.5	1.05 ± 5.25	1.05 ± 2.625	1.05 ± 1.575	1.05 ± 1.050
100000000 TO 200000000	1.10 ± 11.0	1.10 ± 5.5	1.10 ± 2.75	1.10 ± 1.650	1.10 ± 1.100
200000000 TO 500000000	1.15 ± 11.5	1.15 ± 5.75	1.15 ± 2.875	1.15 ± 1.725	1.15 ± 1.150
500000000 TO 1000000000	1.20 ± 12.0	1.20 ± 6.0	1.20 ± 3.0	1.20 ± 1.800	1.20 ± 1.200
1000000000 TO 2000000000	1.25 ± 12.5	1.25 ± 6.25	1.25 ± 3.125	1.25 ± 1.875	1.25 ± 1.250
2000000000 TO 5000000000	1.30 ± 13.0	1.30 ± 6.5	1.30 ± 3.25	1.30 ± 1.950	1.30 ± 1.300
5000000000 TO 10000000000	1.35 ± 13.5	1.35 ± 6.75	1.35 ± 3.375	1.35 ± 2.025	1.35 ± 1.350
10000000000 TO 20000000000	1.40 ± 14.0	1.40 ± 7.0	1.40 ± 3.5	1.40 ± 2.100	1.40 ± 1.400
20000000000 TO 50000000000	1.45 ± 14.5	1.45 ± 7.25	1.45 ± 3.625	1.45 ± 2.175	1.45 ± 1.450
50000000000 TO 100000000000	1.50 ± 15.0	1.50 ± 7.5	1.50 ± 3.75	1.50 ± 2.250	1.50 ± 1.500
100000000000 TO 200000000000	1.55 ± 15.5	1.55 ± 7.75	1.55 ± 3.875	1.55 ± 2.325	1.55 ± 1.550
200000000000 TO 500000000000	1.60 ± 16.0	1.60 ± 8.0	1.60 ± 4.0	1.60 ± 2.400	1.60 ± 1.600
500000000000 TO 1000000000000	1.65 ± 16.5	1.65 ± 8.25	1.65 ± 4.125	1.65 ± 2.475	1.65 ± 1.650
1000000000000 TO 2000000000000	1.70 ± 17.0	1.70 ± 8.5	1.70 ± 4.25	1.70 ± 2.550	1.70 ± 1.700
2000000000000 TO 5000000000000	1.75 ± 17.5	1.75 ± 8.75	1.75 ± 4.375	1.75 ± 2.625	1.75 ± 1.750
5000000000000 TO 10000000000000	1.80 ± 18.0	1.80 ± 9.0	1.80 ± 4.5	1.80 ± 2.700	1.80 ± 1.800
10000000000000 TO 20000000000000	1.85 ± 18.5	1.85 ± 9.25	1.85 ± 4.625	1.85 ± 2.775	1.85 ± 1.850
20000000000000 TO 50000000000000	1.90 ± 19.0	1.90 ± 9.5	1.90 ± 4.75	1.90 ± 2.850	1.90 ± 1.900
50000000000000 TO 100000000000000	1.95 ± 19.5	1.95 ± 9.75	1.95 ± 4.875	1.95 ± 2.925	1.95 ± 1.950
100000000000000 TO 200000000000000	2.00 ± 20.0	2.00 ± 10.0	2.00 ± 5.0	2.00 ± 3.000	2.00 ± 2.000
200000000000000 TO 500000000000000	2.05 ± 20.5	2.05 ± 10.25	2.05 ± 5.125	2.05 ± 3.075	2.05 ± 2.050
500000000000000 TO 1000000000000000	2.10 ± 21.0	2.10 ± 10.5	2.10 ± 5.25	2.10 ± 3.150	2.10 ± 2.100
1000000000000000 TO 2000000000000000	2.15 ± 21.5	2.15 ± 10.75	2.15 ± 5.375	2.15 ± 3.225	2.15 ± 2.150
2000000000000000 TO 5000000000000000	2.20 ± 22.0	2.20 ± 11.0	2.20 ± 5.5	2.20 ± 3.300	2.20 ± 2.200
5000000000000000 TO 10000000000000000	2.25 ± 22.5	2.25 ± 11.25	2.25 ± 5.625	2.25 ± 3.375	2.25 ± 2.250
10000000000000000 TO 20000000000000000	2.30 ± 23.0	2.30 ± 11.5	2.30 ± 5.75	2.30 ± 3.450	2.30 ± 2.300
20000000000000000 TO 50000000000000000	2.35 ± 23.5	2.35 ± 11.75	2.35 ± 5.875	2.35 ± 3.525	2.35 ± 2.350
50000000000000000 TO 100000000000000000	2.40 ± 24.0	2.40 ± 12.0	2.40 ± 6.0	2.40 ± 3.600	2.40 ± 2.400
100000000000000000 TO 200000000000000000	2.45 ± 24.5	2.45 ± 12.25	2.45 ± 6.125	2.45 ± 3.675	2.45 ± 2.450
200000000000000000 TO 500000000000000000	2.50 ± 25.0	2.50 ± 12.5	2.50 ± 6.25	2.50 ± 3.750	2.50 ± 2.500
500000000000000000 TO 1000000000000000000	2.55 ± 25.5	2.55 ± 12.75	2.55 ± 6.375	2.55 ± 3.825	2.55 ± 2.550
1000000000000000000 TO 2000000000000000000	2.60 ± 26.0	2.60 ± 13.0	2.60 ± 6.5	2.60 ± 3.900	2.60 ± 2.600
2000000000000000000 TO 5000000000000000000	2.65 ± 26.5	2.65 ± 13.25	2.65 ± 6.625	2.65 ± 3.975	2.65 ± 2.650
5000000000000000000 TO 10000000000000000000	2.70 ± 27.0	2.70 ± 13.5	2.70 ± 6.75	2.70 ± 4.050	2.70 ± 2.700
10000000000000000000 TO 20000000000000000000	2.75 ± 27.5	2.75 ± 13.75	2.75 ± 6.875	2.75 ± 4.125	2.75 ± 2.750
20000000000000000000 TO 50000000000000000000	2.80 ± 28.0	2.80 ± 14.0	2.80 ± 7.0	2.80 ± 4.200	2.80 ± 2.800
50000000000000000000 TO 100000000000000000000	2.85 ± 28.5	2.85 ± 14.25	2.85 ± 7.125	2.85 ± 4.275	2.85 ± 2.850
100000000000000000000 TO 200000000000000000000	2.90 ± 29.0	2.90 ± 14.5	2.90 ± 7.25	2.90 ± 4.350	2.90 ± 2.900
200000000000000000000 TO 500000000000000000000	2.95 ± 29.5	2.95 ± 14.75	2.95 ± 7.375	2.95 ± 4.425	2.95 ± 2.950
500000000000000000000 TO 1000000000000000000000	3.00 ± 30.0	3.00 ± 15.0	3.00 ± 7.5	3.00 ± 4.500	3.00 ± 3.000
1000000000000000000000 TO 2000000000000000000000	3.05 ± 30.5	3.05 ± 15.25	3.05 ± 7.625	3.05 ± 4.575	3.05 ± 3.050
2000000000000000000000 TO 5000000000000000000000	3.10 ± 31.0	3.10 ± 15.5	3.10 ± 7.75	3.10 ± 4.650	3.10 ± 3.100
5000000000000000000000 TO 10000000000000000000000	3.15 ± 31.5	3.15 ± 15.75	3.15 ± 7.875	3.15 ± 4.725	3.15 ± 3.150
10000000000000000000000 TO 20000000000000000000000	3.20 ± 32.0	3.20 ± 16.0	3.20 ± 8.0	3.20 ± 4.800	3.20 ± 3.200
20000000000000000000000 TO 50000000000000000000000	3.25 ± 32.5	3.25 ± 16.25	3.25 ± 8.125	3.25 ± 4.875	3.25 ± 3.250
50000000000000000000000 TO 100000000000000000000000	3.30 ± 33.0	3.30 ± 16.5	3.30 ± 8.25	3.30 ± 4.950	3.30 ± 3.300
100000000000000000000000 TO 200000000000000000000000	3.35 ± 33.5	3.35 ± 16.75	3.35 ± 8.375	3.35 ± 5.025	3.35 ± 3.350
200000000000000000000000 TO 500000000000000000000000	3.40 ± 34.0	3.40 ± 17.0	3.40 ± 8.5	3.40 ± 5.100	3.40 ± 3.400
500000000000000000000000 TO 1000000000000000000000000	3.45 ± 34.5	3.45 ± 17.25	3.45 ± 8.625	3.45 ± 5.175	3.45 ± 3.450
1000000000000000000000000 TO 2000000000000000000000000	3.50 ± 35.0	3.50 ± 17.5	3.50 ± 8.75	3.50 ± 5.250	3.50 ± 3.500
2000000000000000000000000 TO 5000000000000000000000000	3.55 ± 35.5	3.55 ± 17.75	3.55 ± 8.875	3.55 ± 5.325	3.55 ± 3.550
5000000000000000000000000 TO 10000000000000000000000000	3.60 ± 36.0	3.60 ± 18.0	3.60 ± 9.0	3.60 ± 5.400	3.60 ± 3.600
10000000000000000000000000 TO 20000000000000000000000000	3.65 ± 36.5	3.65 ± 18.25	3.65 ± 9.125	3.65 ± 5.475	3.65 ± 3.650
20000000000000000000000000 TO 50000000000000000000000000	3.70 ± 37.0	3.70 ± 18.5	3.70 ± 9.25	3.70 ± 5.550	3.70 ± 3.700
50000000000000000000000000 TO 100000000000000000000000000	3.75 ± 37.5	3.75 ± 18.75	3.75 ± 9.375	3.75 ± 5.625	3.75 ± 3.750
100000000000000000000000000 TO 200000000000000000000000000	3.80 ± 38.0	3.80 ± 19.0	3.80 ± 9.5	3.80 ± 5.700	3.80 ± 3.800
200000000000000000000000000 TO 500000000000000000000000000	3.85 ± 38.5	3.85 ± 19.25	3.85 ± 9.625	3.85 ± 5.775	3.85 ± 3.850
500000000000000000000000000 TO 1000000000000000000000000000	3.90 ± 39.0	3.90 ± 19.5	3.90 ± 9.75	3.90 ± 5.850	3.90 ± 3.900
1000000000000000000000000000 TO 2000000000000000000000000000	3.95 ± 39.5	3.95 ± 19.75	3.95 ± 9.875	3.95 ± 5.925	3.95 ± 3.950
2000000000000000000000000000 TO 5000000000000000000000000000	4.00 ± 40.0	4.00 ± 20.0	4.00 ± 10.0	4.00 ± 6.000	4.00 ± 4.000
5000000000000000000000000000 TO 10000000000000000000000000000	4.05 ± 40.5	4.05 ± 20.25	4.05 ± 10.125	4.05 ± 6.075	4.

MARK	NUMBER	QTY	FRU	DESCRIPTION/NAME
5	2178681	1.000	Yes	PULLEY - 10 TEETH
7	46-297036G1	1.000	Yes	TILT POT HARNESS ASSEMBLY {For further detail, see Section 11.1 , beginning on page 382 .}
8	2178678	1.000	Yes	TIMING BELT - 180 GROOVE
11	2277131	1.000	Yes	HARNESS, TILT SWITCH ASSEMBLY {For further detail, see Section 11.2 , beginning on page 384 .}
1A	2178682	1.000	No	BRACKET - TILT POT MTG
1B	2178682-2	ALT	No	BRACKET TILT POT MTG
3	46-328431P1	12.000	No	WASHER PLAIN - LARGE 4.3 MM 12 MM
4	2178679	1.000	No	PULLEY - 150 TEETH
6	46-296780P2	3.000	No	SYN-CLAMP
9	46-328432P2	12.000	No	WASHER LOCK - SPRING 4.1 MM 7.6 MM
10	46-208758P10	1.000	No	8.00" X .094" SELF-LOCKING
12	46-170686P3	AR	No	LOCTITE 242, 50CC
14A	2284197	2.000	No	CAM -30.25 DEGREES TILT
14B	2284197-2	ALT	No	CAM TILT LIMIT
15A	2284198	2.000	No	CAM -22.5 DEGREES TILT
15B	2284198-2	ALT	No	CAM TILT INTERFERENCE
16	46-328417P6	13.000	No	SCREW HEXAGON SOCKET 4 MM
18A	2276924	1.000	No	COVER, TILT POT ASSEMBLY
18B	2276924-2	ALT	No	COVER, TILT POT ASSEMBLY
19	2272297	1.000	No	TILT LIMIT LABEL
20	46-328417P11	3.000	No	SCREW HEXAGON SOCKET 6 MM
21	46-328432P3	3.000	No	WASHER LOCK - SPRING 6.1 MM 11.8 MM
22	46-328430P3	3.000	No	WASHER PLAIN - NORMAL 6.4 MM 12 MM

Table 4-84 Tilt Pot Assembly (2178677 BOM, rev 4)

11.1 Tilt Pot Harness Assy (46-297036G1)

FRU = YES

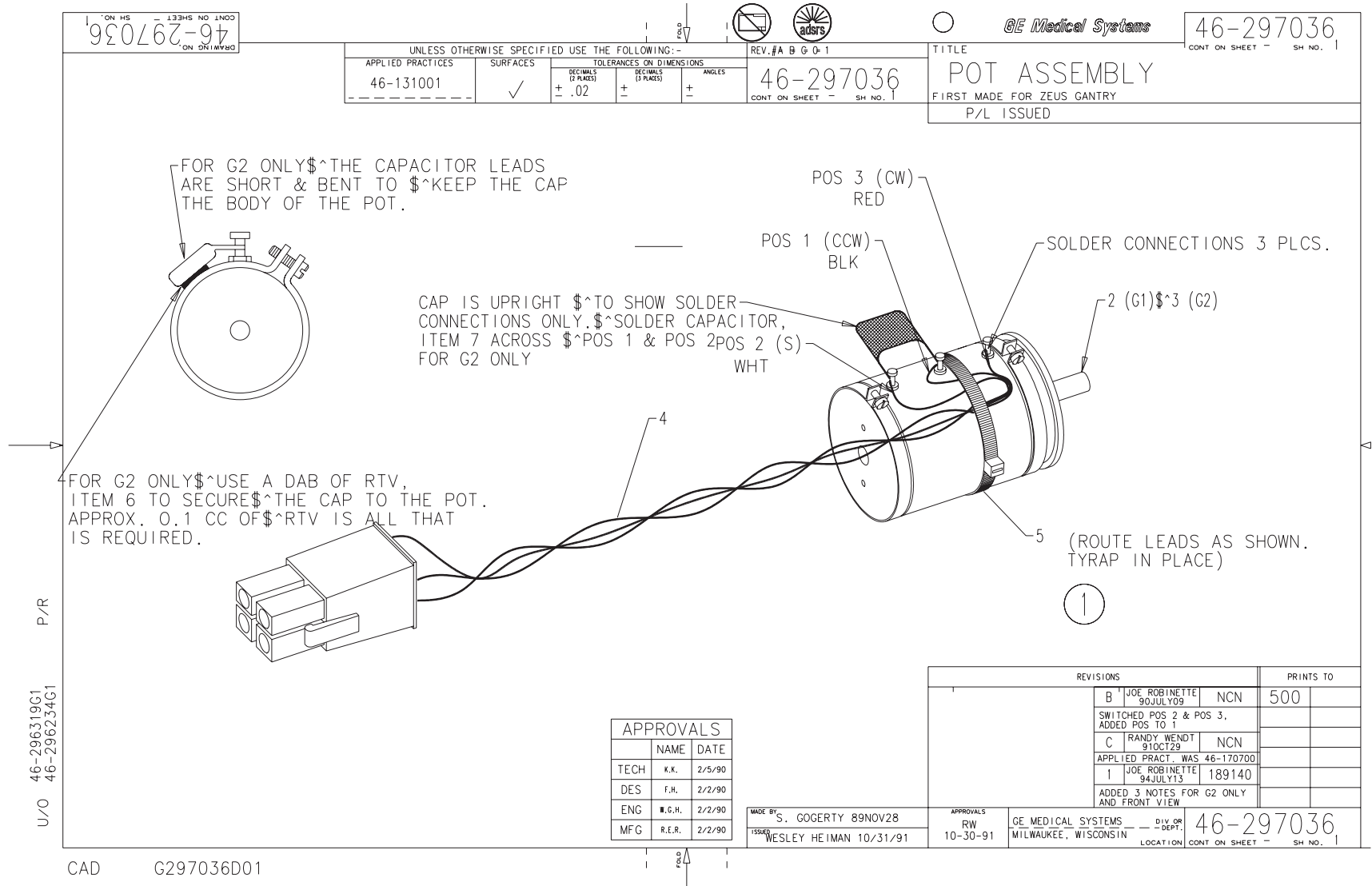


Figure 4-108 Tilt Pot Harness Assy (46-297036, sheet 1, rev 1)

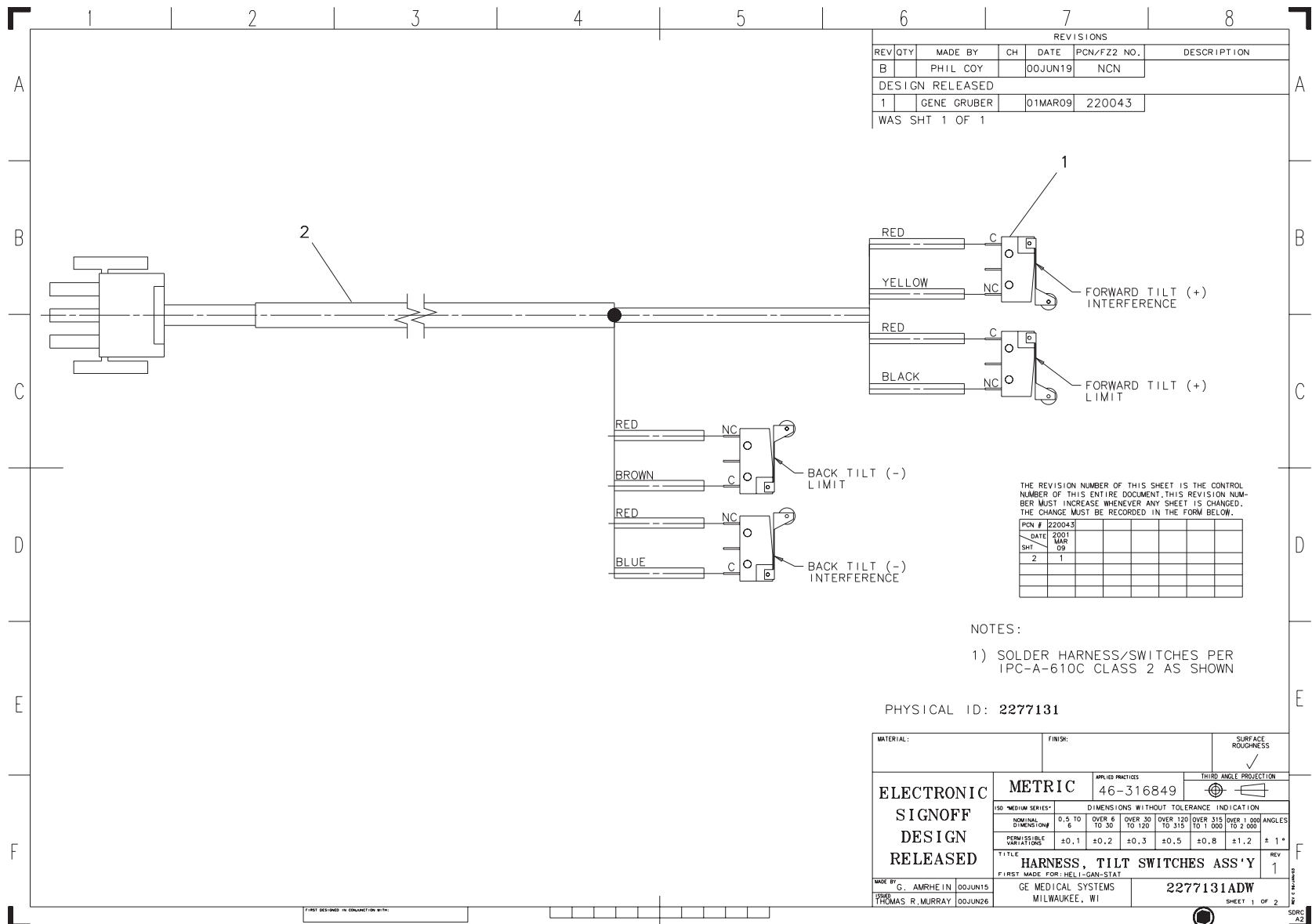
MARK	NUMBER	QTY	FRU	DESCRIPTION/NAME
1	46-297036	0.000		TILT POT ASSEMBLY
2	46-296141P1	1.000	No	RESISTOR 5k OHMS 5 %
4	46-297100G1	1.000	No	POT HARNESS
5	46-208758P7	1.000	Yes	8.00" X .130" SELF-LOCKIN

Table 4-85 Tilt Pot Harness Assy (46-297036G1 BOM, rev 0)

This Page Intentionally Blank.

11.2 Tilt Switch Assembly Harness (2277131)

FRU = YES



REVISIONS						
REV	QTY	MADE BY	CH	DATE	PCN/FZ2 NO.	DESCRIPTION
B		PHIL COY		00JUN19	NCN	
DESIGN RELEASED						
1		GENE GRUBER		01MAR09	220043	
WAS SHT 1 OF 1						

THE REVISION NUMBER OF THIS SHEET IS THE CONTROL NUMBER OF THIS ENTIRE DOCUMENT. THIS REVISION NUMBER MUST INCREASE WHENEVER ANY SHEET IS CHANGED. THE CHANGE MUST BE RECORDED IN THE FORM BELOW.

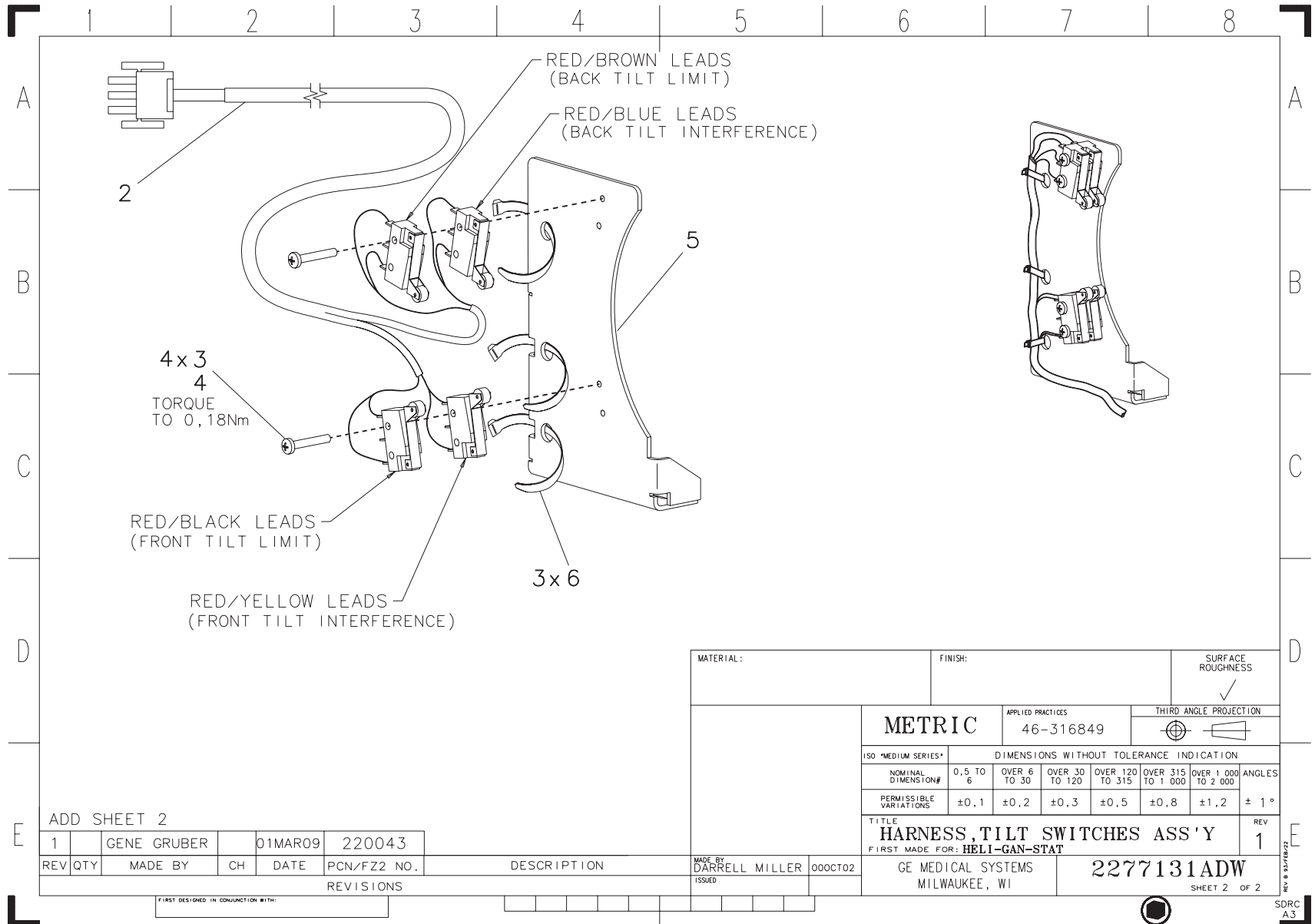
PCN #	DATE	SH	1	2	3	4	5	6	7	8
220043	2001 MAR 09	2	1							

NOTES:
1) SOLDER HARNESS/SWITCHES PER IPC-A-610C CLASS 2 AS SHOWN

PHYSICAL ID: 2277131

MATERIAL:		FINISH:		SURFACE ROUGHNESS		
ELECTRONIC SIGNOFF DESIGN RELEASED		METRIC 46-316849		THIRD ANGLE PROJECTION		
ISO 'MEDIAN SERIES'		DIMENSIONS WITHOUT TOLERANCE		INDICATION		
NOMINAL DIMENSIONS		0.5 TO 6	OVER 6 TO 30	OVER 30 TO 120	OVER 120 TO 315	OVER 315 TO 1,000
PERMISSIBLE VARIATIONS		±0.1	±0.2	±0.3	±0.5	±0.8 ±1.2 ±1*
TITLE		HARNES, TILT SWITCHES ASS'Y		REV 1		
FIRST MADE FOR: HELI-GAN-STAT		GE MEDICAL SYSTEMS MILWAUKEE, WI		2277131ADW SHEET 1 OF 2		
MADE BY: G. AMRHEIN 00JUN15 THOMAS R. MURRAY 00JUN26				SDRC A2		

Figure 4-109 Switch Harness Assy (2277131, sheet 1, rev 1)



ADD SHEET 2

1	GENE GRUBER	01MAR09	220043
---	-------------	---------	--------

REV	QTY	MADE BY	CH	DATE	PCN/FZ2 NO.	DESCRIPTION
REVISIONS						

FIRST DESIGNED IN CONJUNCTION WITH:

MATERIAL:		FINISH:		SURFACE ROUGHNESS ✓			
METRIC			APPLIED PRACTICES 46-316849		THIRD ANGLE PROJECTION ⊕		
ISO *MEDIUM SERIES*		DIMENSIONS WITHOUT TOLERANCE INDICATION					
NOMINAL DIMENSION#	0,5 TO 6	OVER 6 TO 30	OVER 30 TO 120	OVER 120 TO 315	OVER 315 TO 1 000	OVER 1 000 TO 2 000	ANGLES
PERMISSIBLE VARIATIONS	±0,1	±0,2	±0,3	±0,5	±0,8	±1,2	± 1 °
TITLE HARNES, TILT SWITCHES ASS'Y							REV 1
FIRST MADE FOR: HELI-GAN-STAT							
GE MEDICAL SYSTEMS MILWAUKEE, WI				2277131ADW		SHEET 2 OF 2	

Figure 4-110 Switch Harness Assy (2277131, sheet 2, rev 1)

MARK	NUMBER	QTY	FRU	DESCRIPTION/NAME
1	2269010	4.000	No	SWITCH, 18MM ROLLER LEVER
2	2268223	1.000	No	TILT SWITCHES, HARNESS
3	46-328421P504	4.000	No	SCREW PAN HEAD 2 MM 16 MM
4	46-170686P3	AR	No	LOCTITE 242, 50CC
5	2263309	1.000	No	BRACKET, TILT LIMIT SWITCH
6	46-208758P10	3.000	No	8.00" X .094" SELF-LOCKING

Table 4-86 Switch Harness Assy (2277131 BOM, rev 1)

Section 12.0 — Phantoms (2180544)

MARK	NUMBER	QTY	FRU	DESCRIPTION/NAME
1	214721	1.000	Yes	HELIOS IQ CAL 35 POLY
2	2206352	1.000	Yes	HELIOS QA PHANTOM
3	2144721-2	1.000	Yes	HELIOS IQ CAL 48 POLY

Table 4-87 Phantoms (2180544 BOM, rev 0)

Section 13.0 — Gantry Service Items & Kits

NUMBER	FRU	DESCRIPTION/NAME
2280874	Yes	COLLECTOR, H2 SYSTEM ELECTRICAL {For further detail, see Section 13.1 , beginning on page 389.}
2280873	Yes	COLLECTOR, H2 SYSTEM HARDWARE {For further detail, see Section 13.2 , beginning on page 390.}
2282510	Yes	HOIST-2-PC, LONG TUBE, HELIOS 2
2282509	Yes	HOIST-2-PC, ARM, HELIOS 2
2353335	Yes	MATE-N-LOK SERVICE KIT: LIGHTSPEED

Table 4-88 Gantry Service Items & Kits

13.1 System Electrical Collector (2280874)

FRU = YES

MARK	NUMBER	QTY	FRU	DESCRIPTION/NAME
1	2147062	1.000	No	SEMICONDUCTOR:DIODE GENER
2	2265406	1.000	No	FIBER-OPTIC COUPLING RECE
3	2270462	1.000	No	SOLID STATE RELAY PROTECT
4	2275179	1.000	No	NC 1PST MOMENTARY SWITCH
5	46-170021P15	11.000	No	008.000A 0250V 3AB
6	46-170021P30	6.000	No	2.0A, 250V SLO-BLO FUSE.
7	46-170021P34	3.000	No	001.500A 0250V 3AG
8	46-296221P15	3.000	No	BUSSMANN KBC80
9	46-313346P1	3.000	No	060.00 A 0600V CARTRIDGE
10	46-136334P23	1.000	No	SPDT, 15A @125/250VAC BAS
11	46-136334P57	1.000	No	SPDT, MINIATURE BASIC
12	46-136334P62	1.000	No	SPDT, BASIC SWITCH W/ PI
13	46-136343P12	1.000	No	SPST, ON-NONE-OFF TOGGL
14	46-170021P10	3.000	No	006.000A 0250V 3AG
15	46-170021P104	3.000	No	FUSE 10 AMPS 700 VOLTS
20	46-170021P52	3.000	No	003.000A 0250V 3AG
21	46-170021P60	3.000	No	6.25A, 250V SLO-BLO F
22	46-170042P26	2.000	No	20A, 250V PANEL-MOUNT F
23	46-170053P11	1.000	No	24VDC, 3PDT ENCLOSED
24	46-170053P13	1.000	No	3PDT, 12V DC RELAY (EN
25	46-170054P3	1.000	No	HOLD-DOWN SPRING FOR R
26	46-208990P1	1.000	No	50 OHM BNC BULKHEAD ADAP'
27	46-265874P1	1.000	No	50 OHM IMPEDANCE BNC FEED
28	46-296561P10	1.000	No	LIMIT SWITCH
29	46-297093P1	1.000	No	SPST, AC/DC TOGGLE S
30	2214516	4.000	No	CIRCUIT BOARD RETAINING B
31	2142759	1.000	No	RHAPSODE CONSOLE MOUSE

Table 4-89 Collector, H2 System Electrical (2280874 BOM, rev 0)

13.2 System Hardware Collector (2280873)

FRU = YES

MARK	NUMBER	QTY	FRU	DESCRIPTION/NAME
40	46-328417P67	4.000	Yes	SCREW HEXAGON SOCKET 12 M
1	2103580	2.000	No	SCREW COUNTERSUNK HEA 4 M
2	2103585	6.000	No	SCREW PAN HEAD 4 MM 8 MM
3	2180698	2.000	No	NUT CLIP ON 4 MM
4	2269013	8.000	No	RIBBED SPRING WASHER, ZIN
5	2277654	10.000	No	STUD, TINNERMAN BALL
6	99018553	4.000	No	RETAINING RING C-RING - B
7	2103580-12	4.000	No	SCREW COUNTERSUNK HEA 6 M
8	2103580-40	4.000	No	SCREW COUNTERSUNK HEX 3 M
9	2146815-2	10.000	No	10-32 X 3/8 HEX SOC BUTTO
10	2209282-3	6.000	No	STANDOFF/SPACER MALE/FEMA
11	2236649-2	10.000	No	WASHER SPECIAL FLAT 6,4 M
12	2236649-5	8.000	No	WASHER SPECIAL FLAT 13 MM
13	46-170015P14	3.000	No	PAN HD SCREW 8-32 X 3/8
14	46-170490P54	1.000	No	SPRING-INCH EXTENSION 1 I
15	46-170497P8	4.000	No	SCREW
16	46-170498P23	4.000	No	SCREW
17	46-170498P41	2.000	No	SCREW
18	46-196354P1	3.000	No	STANDOFF/SPACER
19	46-196354P4	3.000	No	STANDOFF/SPACER
20	46-208562P20	6.000	No	SCREW
21	46-220277P11	2.000	No	EXT RADIAL MOUNT 0.625 SH
22	46-220277P15	2.000	No	EXT RADIAL MOUNT 0.312 SH
23	46-221523P10	4.000	No	HOLE DIA 0.437 MAT'L THK
24	46-221597P2	2.000	No	MINOR VBM-3003 NAT RUBBER
27	46-297328P1	8.000	No	1/4 TURN STUD AND TWO GRO
28	46-297328P2	4.000	No	1/4 TURN STUD AND TWO GRO
29	46-297695P1	2.000	No	COTTER PIN
30	46-328417P11	4.000	No	SCREW HEXAGON SOCKET 6 MM
31	46-328417P12	6.000	No	SCREW HEXAGON SOCKET 6 MM
32	46-328417P13	10.000	No	SCREW HEXAGON SOCKET 6 MM

Table 4-90 Collector, H2 System Hardware (2280873 BOM, rev 1)

MARK	NUMBER	QTY	FRU	DESCRIPTION/NAME
33	46-328417P14	8.000	No	SCREW HEXAGON SOCKET 6 MM
34	46-328417P2	10.000	No	SCREW HEXAGON SOCKET 4 MM
35	46-328417P3	10.000	No	SCREW HEXAGON SOCKET 4 MM
36	46-328417P5	4.000	No	SCREW HEXAGON SOCKET 4 MM
37	46-328417P56	8.000	No	SCREW HEXAGON SOCKET 2.5
38	46-328417P6	4.000	No	SCREW HEXAGON SOCKET 4 MM
39	46-328417P66	4.000	No	SCREW HEXAGON SOCKET 12 M
41	46-328417P73	4.000	No	SCREW HEXAGON SOCKET 3 MM
42	46-328417P74	4.000	No	SCREW HEXAGON SOCKET 3 MM
43	46-328421P504	4.000	No	SCREW PAN HEAD 2 MM 16 MM
44	46-328423P1	4.000	No	SCREW PAN HEAD 2.9 MM 6.5
45	46-328425P1	10.000	No	NUT HEXAGON 4 MM
46	46-328425P12	2.000	No	NUT HEXAGON 8 MM
47	46-328425P13	2.000	No	NUT HEXAGON 12 MM
48	46-328425P2	10.000	No	NUT HEXAGON 6 MM
49	46-328430P1	2.000	No	WASHER PLAIN - NORMAL 2.7
50	46-328430P2	10.000	No	WASHER PLAIN - NORMAL 4.3
51	46-328430P3	10.000	No	WASHER PLAIN - NORMAL 6.4
52	46-328431P1	6.000	No	WASHER PLAIN - LARGE 4.3
53	46-328432P1	2.000	No	WASHER LOCK - SPRING 2.6
54	46-328432P2	10.000	No	WASHER LOCK - SPRING 4.1
55	46-328432P3	10.000	No	WASHER LOCK - SPRING 6.1
56	46-328432P7	4.000	No	WASHER LOCK - SPRING 12.2
57	46-328433P3	3.000	No	WASHER LOCK - EXTERNAL 6.
58	2280022	2.000	No	HANDSCREW, MOTOROLA BOARD
59	2197002	10.000	No	WASHER PLAIN - LARGE 4.3
60	46-328431P1	10.000	No	WASHER PLAIN - LARGE 4.3
61	46-328421P4	10.000	No	SCREW PAN HEAD 2.5 MM 6 M
62	46-328432P1	10.000	No	WASHER LOCK - SPRING 2.6
63	46-194427P25	1.000	No	1/4" INCH HIGH SPEED HARD
64	46-194427P405	1.000	No	18 TO 20 INCH LONG 3/8 IN
65	2222889-2	1.000	No	KEEPER FOR SELF-CATCHING
66	2222889-3	1.000	No	BASE & CATCH FOR SELF-CAT

Table 4-90 Collector, H2 System Hardware (2280873 BOM, rev 1) (Continued)

Section 14.0 — Cable Kits & Raceway Cover

NUMBER	FRU	DESCRIPTION/NAME
2281840	Yes	LIGHTSPEED PLUS LONG CABLE COLLECTOR {For further detail, see Section 14.1 , below.}
2281840-2	Yes	LIGHTSPEED PLUS SHORT CABLE COLLECT. {For further detail, see Section 14.2 , beginning on page 393 .}
46-297623P2	Yes	CVR, REAR RACEWAY H2-DRK STEEL BLUE

Table 4-91 Cable Kits & Raceway Cover

14.1 LightSpeed Plus Long Cable Collector (2281840)

FRU = YES

MARK	NUMBER	QTY	FRU	DESCRIPTION/NAME
1	2266879	1.000	No	RUN #001 - PDU TO CONSOLE
2	2275844	1.000	No	RUN #002 - GROUND - PDU T
3	2267642	1.000	No	RUN #003 - GANTRY TO PDU
4	2266880	1.000	No	RUN #004 - PDU TO GANTRY
5	2267644	1.000	No	RUN #005 - GANTRY TO PDU
6	2275844-2	1.000	No	RUN #006 - GROUND - CONSO
7	2266014	1.000	No	RUN #100 - STC J8 TO PDU
8	2271060	1.000	No	RUN #101 - STC J7 TO CONS
9	2266887	1.000	No	RUN #102 - CONSOLE TO GAN
10	2117848-2	1.000	No	24384 +/- 150 FIBER OPTIC

Table 4-92 LightSpeed Plus Long Cable Collector (2281840 BOM, rev 0)

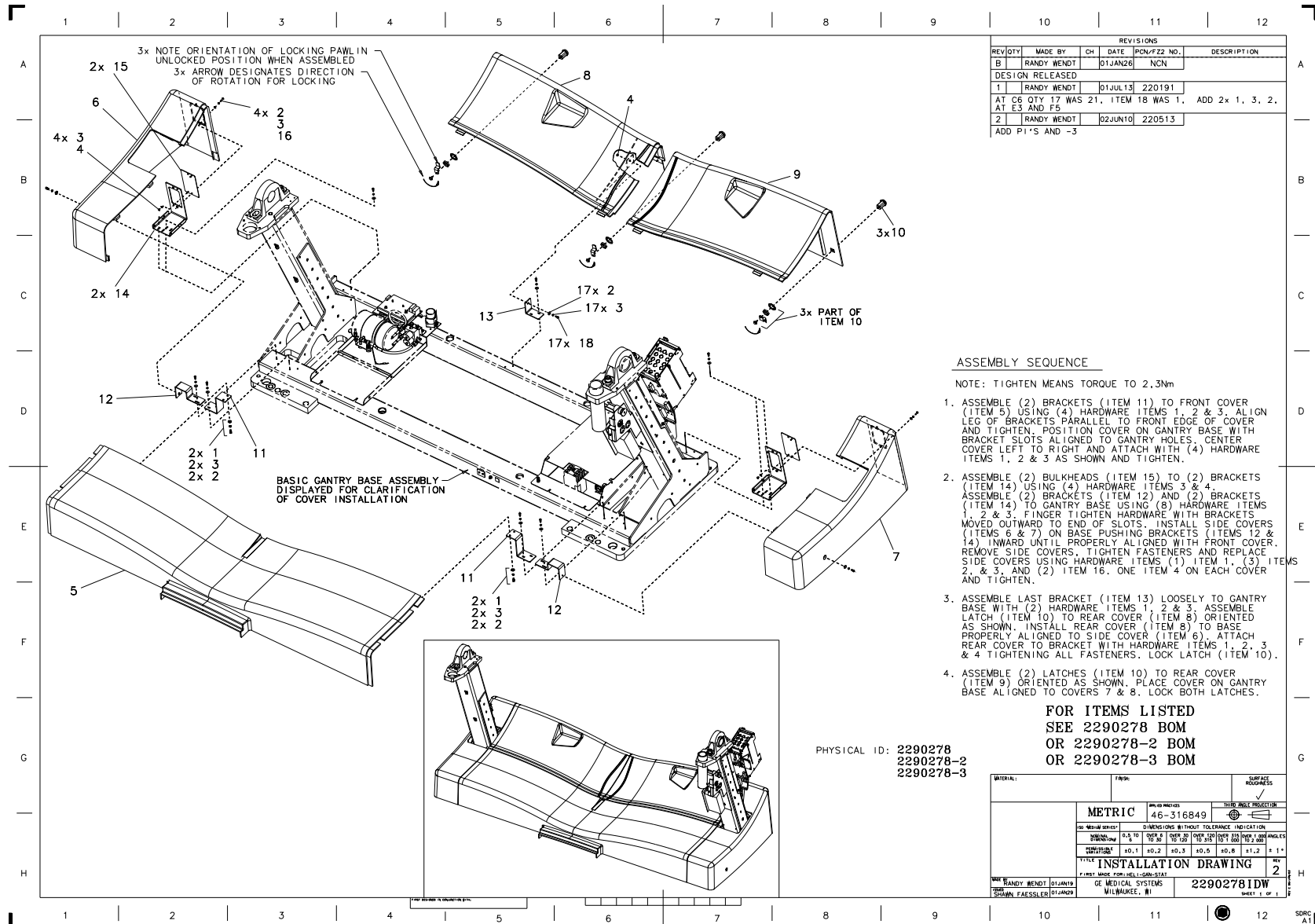
14.2 LightSpeed Plus Short Cable Collector (2281840-2)

FRU = YES

MARK	NUMBER	QTY	FRU	DESCRIPTION/NAME
1	2266879-2	1.000	No	RUN #001A - PDU TO CONSOL
2	2275844-3	1.000	No	RUN #002A - GROUND - PDU
3	2267642-2	1.000	No	RUN #003A - GANTRY TO PDU
4	2266880-2	1.000	No	RUN #004A - PDU TO GANTRY
5	2267644-2	1.000	No	RUN #005A - GANTRY TO PDU
6	2275844-4	1.000	No	RUN #006A - GROUND - CONS
7	2266014-2	1.000	No	RUN #100A - STC J8 TO PDU
8	2271060-2	1.000	No	RUN #101A - STC J7 TO CON
9	2266887-3	1.000	No	RUN #102A - CONSOLE TO GA
10	2117848-6	1.000	No	16900 +/- 150 FIBER OPTIC

Table 4-93 LightSpeed Plus Short Cable Collector (2281840-2 BOM, rev 0)

Section 15.0 — Gantry Base Covers (2290278, -2)



REVISIONS					
REV/ITY	MADE BY	CH	DATE	PCN/FZZ NO.	DESCRIPTION
B	RANDY WENDT		01JAN26	NCN	
DESIGN RELEASED					
1	RANDY WENDT		01JUL13	220191	
AT CG QTY: 17 WAS 21. ITEM 18 WAS 1. ADD 2x 1, 3, 2.					
AT E3 AND F5					
2	RANDY WENDT		02JUN10	220513	
ADD P1'S AND -3					

ASSEMBLY SEQUENCE

- NOTE: TIGHTEN MEANS TORQUE TO 2.3Nm
- ASSEMBLE (2) BRACKETS (ITEM 11) TO FRONT COVER (ITEM 5) USING (4) HARDWARE ITEMS 1, 2 & 3. ALIGN LEG OF BRACKETS PARALLEL TO FRONT EDGE OF COVER AND TIGHTEN. POSITION COVER ON GANTRY BASE WITH BRACKET SLOTS ALIGNED TO GANTRY HOLES. CENTER COVER LEFT TO RIGHT AND ATTACH WITH (4) HARDWARE ITEMS 1, 2 & 3 AS SHOWN AND TIGHTEN.
 - ASSEMBLE (2) BULKHEADS (ITEM 15) TO (2) BRACKETS (ITEM 14) USING (4) HARDWARE ITEMS 3 & 4. ASSEMBLE (2) BRACKETS (ITEM 12) AND (2) BRACKETS (ITEM 14) TO GANTRY BASE USING (8) HARDWARE ITEMS 1, 2 & 3. FINGER TIGHTEN HARDWARE WITH BRACKETS MOVED OUTWARD TO END OF SLOTS. INSTALL SIDE COVERS (ITEMS 6 & 7) ON BASE PUSHING BRACKETS (ITEMS 12 & 14) INWARD UNTIL PROPERLY ALIGNED WITH FRONT COVER. REMOVE SIDE COVERS. TIGHTEN FASTENERS AND REPLACE SIDE COVERS USING HARDWARE ITEMS (1) ITEM 1, (3) ITEMS 2, & 3, AND (2) ITEM 16. ONE ITEM 4 ON EACH COVER AND TIGHTEN.
 - ASSEMBLE LAST BRACKET (ITEM 13) LOOSELY TO GANTRY BASE WITH (2) HARDWARE ITEMS 1, 2 & 3. ASSEMBLE LATCH (ITEM 10) TO REAR COVER (ITEM 8) ORIENTED AS SHOWN. INSTALL REAR COVER (ITEM 8) TO BASE PROPERLY ALIGNED TO SIDE COVER (ITEM 6). ATTACH REAR COVER TO BRACKET WITH HARDWARE ITEMS 1, 2, 3 & 4 TIGHTENING ALL FASTENERS. LOCK LATCH (ITEM 10).
 - ASSEMBLE (2) LATCHES (ITEM 10) TO REAR COVER (ITEM 9) ORIENTED AS SHOWN. PLACE COVER ON GANTRY BASE ALIGNED TO COVERS 7 & 8. LOCK BOTH LATCHES.

**FOR ITEMS LISTED
SEE 2290278 BOM
OR 2290278-2 BOM
OR 2290278-3 BOM**

PHYSICAL ID: 2290278
2290278-2
2290278-3

MATERIAL:	FINISH:	SURFACE ROUGHNESS:												
UNFINISHED		SEE BULK PRODUCTION												
<table border="1"> <tr> <td>UNITS</td> <td>METRIC</td> <td>48-316849</td> </tr> <tr> <td>NO. DIMENSIONS</td> <td colspan="2">DIMENSIONS WITHOUT TOLERANCE INDICATION</td> </tr> <tr> <td>MINIMUM</td> <td>0.5, 10</td> <td>0.012, 0.025, 0.05, 0.1, 0.15, 0.2, 0.3, 0.5, 1.0, 1.5, 2.0, 3.0, 4.0, 5.0, 6.0, 8.0, 10.0, 15.0, 20.0, 30.0, 40.0, 50.0, 60.0, 80.0, 100.0</td> </tr> <tr> <td>MAXIMUM</td> <td>±0.1</td> <td>±0.2, ±0.3, ±0.5, ±0.8, ±1.2, ±1.6</td> </tr> </table>			UNITS	METRIC	48-316849	NO. DIMENSIONS	DIMENSIONS WITHOUT TOLERANCE INDICATION		MINIMUM	0.5, 10	0.012, 0.025, 0.05, 0.1, 0.15, 0.2, 0.3, 0.5, 1.0, 1.5, 2.0, 3.0, 4.0, 5.0, 6.0, 8.0, 10.0, 15.0, 20.0, 30.0, 40.0, 50.0, 60.0, 80.0, 100.0	MAXIMUM	±0.1	±0.2, ±0.3, ±0.5, ±0.8, ±1.2, ±1.6
UNITS	METRIC	48-316849												
NO. DIMENSIONS	DIMENSIONS WITHOUT TOLERANCE INDICATION													
MINIMUM	0.5, 10	0.012, 0.025, 0.05, 0.1, 0.15, 0.2, 0.3, 0.5, 1.0, 1.5, 2.0, 3.0, 4.0, 5.0, 6.0, 8.0, 10.0, 15.0, 20.0, 30.0, 40.0, 50.0, 60.0, 80.0, 100.0												
MAXIMUM	±0.1	±0.2, ±0.3, ±0.5, ±0.8, ±1.2, ±1.6												
TITLE: INSTALLATION DRAWING														
FIRST MADE FOR: ILL-SAM-STAT														
BY: RANDY WENDT 01JAN19	GE MEDICAL SYSTEMS	22902781DW												
BY: SPAIN, FAESLEED 01JAN19	WILMBAKEC, WI	SHEET 1 OF 1												

Figure 4-111 Gantry Base Covers (2290278, sheet 1, rev 2)

MARK	NUMBER	QTY	FRU	DESCRIPTION/NAME
5	2251467	1.000	Yes	COVER, BASE-FRONT
6	2285829	1.000	Yes	COVER, LEFT BASE WITH CAR
7	2285830	1.000	Yes	COVER, RIGHT BASE WITH CAR
8	2275686	1.000	Yes	COVER ASSY, BASE REAR - LH {For further detail, see Section 15.1 , beginning on page 398 .}
9	2275685	1.000	Yes	COVER ASSY, BASE REAR - RH {For further detail, see Section 15.2 , beginning on page 400 .}
1	46-328417P3	4.000	No	SCREW HEXAGON SOCKET 4 MM
2	46-328430P2	23.000	No	WASHER PLAIN - NORMAL 4.3 MM 9 MM
3	46-328432P2	23.000	No	WASHER LOCK - SPRING 4.1 MM 7.6 MM
4	46-328425P1	3.000	No	NUT HEXAGON 4 MM
10	2277652	3.000	No	LATCH, H2 SIDE COVER COMPRESSION
11	2261321	2.000	No	BRACKET - FRONT BASE COVER
12	2261324	2.000	No	BRACKET - SIDE BASE COVER
13	2261325	3.000	No	BRACKET - REAR BASE COVER
14	2285469	2.000	No	BRACKET, BASE COVER MOUNTING
15	2288882	2.000	No	BULKHEAD - BLANK
16	46-328420P3	4.000	No	SCREW BUTTON HEAD 4 MM 12
17	2290278IDW	1.000	No	BASE COVER COLLECTOR - H2
18	46-328417P4	17.000	No	SCREW HEXAGON SOCKET 4 MM

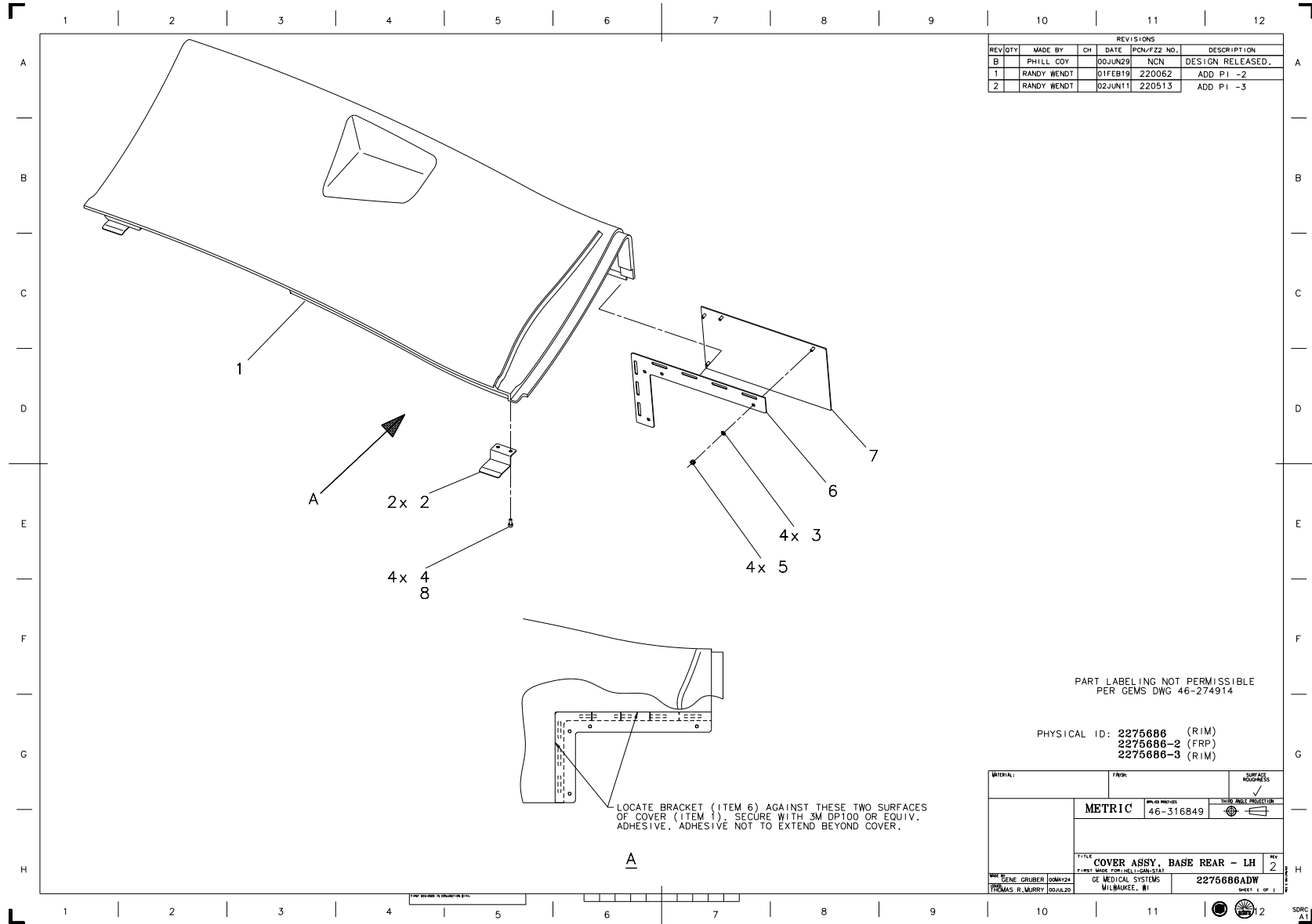
Table 4-94 Base Covers Collector H2 Gantry (2290278 BOM, rev 1)

MARK	NUMBER	QTY	FRU	DESCRIPTION/NAME
1	46-328417P3	4.000	No	SCREW HEXAGON SOCKET 4 MM
2	46-328430P2	23.000	No	WASHER PLAIN - NORMAL 4.3 MM 9 MM
3	46-328432P2	23.000	No	WASHER LOCK - SPRING 4.1 MM 7.6 MM
4	46-328425P1	3.000	No	NUT HEXAGON 4 MM
5	2251467-2	1.000	No	COVER, BASE-FRONT (FRP)
6	2285829-2	1.000	No	COVER, LEFT BASE WITH CAR
7	2285830-2	1.000	No	COVER, RIGHT BASE WITH CAR
8	2275686-2	1.000	No	COVER ASSY, BASE REAR - LH {For further detail, see Section 15.1 , beginning on page 398 .}
9	2275685-2	1.000	No	COVER ASSY, BASE REAR - RH {For further detail, see Section 15.2 , beginning on page 400 .}
10	2277652	3.000	No	LATCH, H2 SIDE COVER COMPRESSION
11	2261321	2.000	No	BRACKET - FRONT BASE COVER
12	2261324	2.000	No	BRACKET - SIDE BASE COVER
13	2261325	3.000	No	BRACKET - REAR BASE COVER
14	2285469	2.000	No	BRACKET, BASE COVER MOUNTING
15	2288882	2.000	No	BULKHEAD - BLANK
16	46-328420P3	4.000	No	SCREW BUTTON HEAD 4 MM 12
17	2290278IDW	1.000	No	BASE COVER COLLECTOR - H2
18	46-328417P4	17.000	No	SCREW HEXAGON SOCKET 4 MM

Table 4-95 Base Covers Collector H2 Gantry (2290278-2 BOM, rev 1)

15.1 Cover Assy, Base Rear - LH (2275686, -2)

FRU = YES
 (-2 = NO)



PART LABELING NOT PERMISSIBLE
 PER GEMS DWG 46-274914

PHYSICAL ID: 2275686 (RIM)
 2275686-2 (FRP)
 2275686-3 (RIM)

MATERIAL:	FINISH:	SURFACE ROUGHNESS:
		✓
METRIC	46-316849	NOISE ABATE PROTECTOR
TITLE: COVER ASSY, BASE REAR - LH		
REV: 2	REV: 2	
DESIGNED BY: GENE GRUBER 00MAY24	GE MEDICAL SYSTEMS	2275686ADW
DRAWN BY: THOMAS R. MURPHY 00JUN20	WILMBAKEE, WI	SHEET 1 OF 1

Figure 4-112 Cover Assembly, Base Rear - LH (2275686, sheet 1, rev 2)

MARK	NUMBER	QTY	FRU	DESCRIPTION/NAME
1	2251469	1.000	No	COVER, BASE-REAR LEFT SIDE
2	2275680	2.000	No	BRACKET, REAR BASE COVER
3	46-328432P2	4.000	No	WASHER LOCK - SPRING 4.1 MM 7.6 MM
4	46-328417P2	4.000	No	SCREW HEXAGON SOCKET 4 MM
5	46-328425P1	4.000	No	NUT HEXAGON 4 MM
6	2275683	1.000	No	BRACKET, ACCESS PLATE MOUNTING
7	2275689	1.000	No	PLATE, REAR BASE COVER ACCESS-LH
8	46-170686P3	AR	No	LOCTITE 242, 50CC

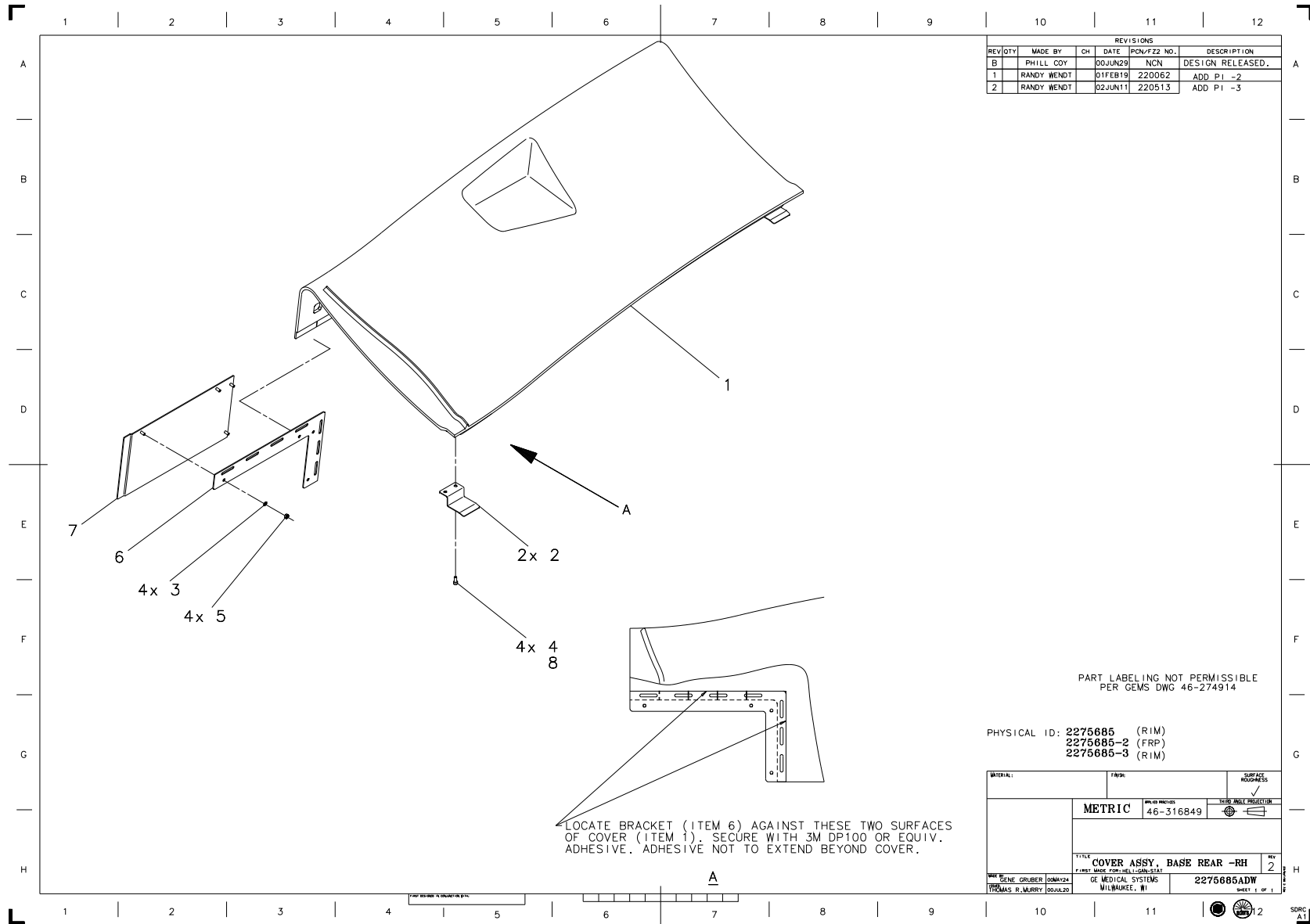
Table 4-96 Cover Assy, Base Rear - LH (2275686 BOM, rev 2)

MARK	NUMBER	QTY	FRU	DESCRIPTION/NAME
1	2251469-2	ALT	No	FIBERGLASS COVER, BASE-RE
2	2275680	2.000	No	BRACKET, REAR BASE COVER
3	46-328432P2	4.000	No	WASHER LOCK - SPRING 4.1 MM 7.6 MM
4	46-328417P2	4.000	No	SCREW HEXAGON SOCKET 4 MM
5	46-328425P1	4.000	No	NUT HEXAGON 4 MM
6	2275683	1.000	No	BRACKET, ACCESS PLATE MOUNTING
7	2275689	1.000	No	PLATE, REAR BASE COVER ACCESS-LH
8	46-170686P3	AR	No	LOCTITE 242, 50CC

Table 4-97 Cover Assy, Base Rear - LH (FRP) (2275686-2 BOM, rev 0)

15.2 Cover Assy, Base Rear - RH (2275685, -2)

FRU = YES
 (-2 = NO)



REVISIONS						
REV	QTY	MADE BY	CH	DATE	PCN/FZ2 NO.	DESCRIPTION
B		PHILL COY		00JUN29	NCN	DESIGN RELEASED.
1		RANDY WENDT		01FEB19	220062	ADD P1 -2
2		RANDY WENDT		02JUN11	220513	ADD P1 -3

PART LABELING NOT PERMISSIBLE
 PER GEMS DWG 46-274914

PHYSICAL ID: 2275685 (RIM)
 2275685-2 (FRP)
 2275685-3 (RIM)

MATERIAL:	FINISH:	SURFACE ROUGHNESS
		✓
METRIC	UNITS: 46-316849	SCALE PROJECTION
TITLE: COVER ASSY, BASE REAR -RH		
REV: 2	DATE: 00MAY24	
BY: GENE GRUBER	GE MEDICAL SYSTEMS	
THOMAS R. MURPHY	WILMINGTON, WI	
PART NO: 2275685ADW		
SHEET 1 OF 1		

Figure 4-113 Cover Assembly, Base Rear - RH (2275685, sheet 1, rev 2)

MARK	NUMBER	QTY	FRU	DESCRIPTION/NAME
1	2251468	1.000	No	COVER, BASE-REAR_RIGHT SIDE
2	2275680	2.000	No	BRACKET, REAR BASE COVER
3	46-328432P2	4.000	No	WASHER LOCK - SPRING 4.1 MM 7.6 MM
4	46-328417P2	4.000	No	SCREW HEXAGON SOCKET 4 MM
5	46-328425P1	4.000	No	NUT HEXAGON 4 MM
6	2275683	1.000	No	BRACKET, ACCESS PLATE MOUNTING
7	2275681	1.000	No	PLATE, REAR BASE COVER ACCESS-RH
8	46-170686P3	AR	No	LOCTITE 242, 50CC

Table 4-98 Cover Assy, Base Rear - RH (2275685 BOM, rev 2)

MARK	NUMBER	QTY	FRU	DESCRIPTION/NAME
1	2251468-2	ALT	No	COVER, BASE-REAR_RIGHT SIDE
2	2275680	2.000	No	BRACKET, REAR BASE COVER
3	46-328432P2	4.000	No	WASHER LOCK - SPRING 4.1 MM 7.6 MM
4	46-328417P2	4.000	No	SCREW HEXAGON SOCKET 4 MM
5	46-328425P1	4.000	No	NUT HEXAGON 4 MM
6	2275683	1.000	No	BRACKET, ACCESS PLATE MOUNTING
7	2275681	1.000	No	PLATE, REAR BASE COVER ACCESS-RH
8	46-170686P3	AR	No	LOCTITE 242, 50CC

Table 4-99 Cover Assy, Base Rear - RH (2275685-2 BOM, rev 0)

Section 16.0 — Gantry Cover Dollies

NUMBER	FRU	DESCRIPTION/NAME
2282011	Yes	Rear Cover Dollies
2289712-2	Yes	Front Cover Dolly - Left
2289712	Yes	Front Cover Dolly - Right
2277193	Yes	Rear Dolly Standoff
2279717	Yes	Rear Dolly Wingnut/Washer
2290611	Yes	Front Dolly Standoff
46-328417P21	Yes	Front Dolly Nut
2297006	Yes	Front Dolly Nut Cover

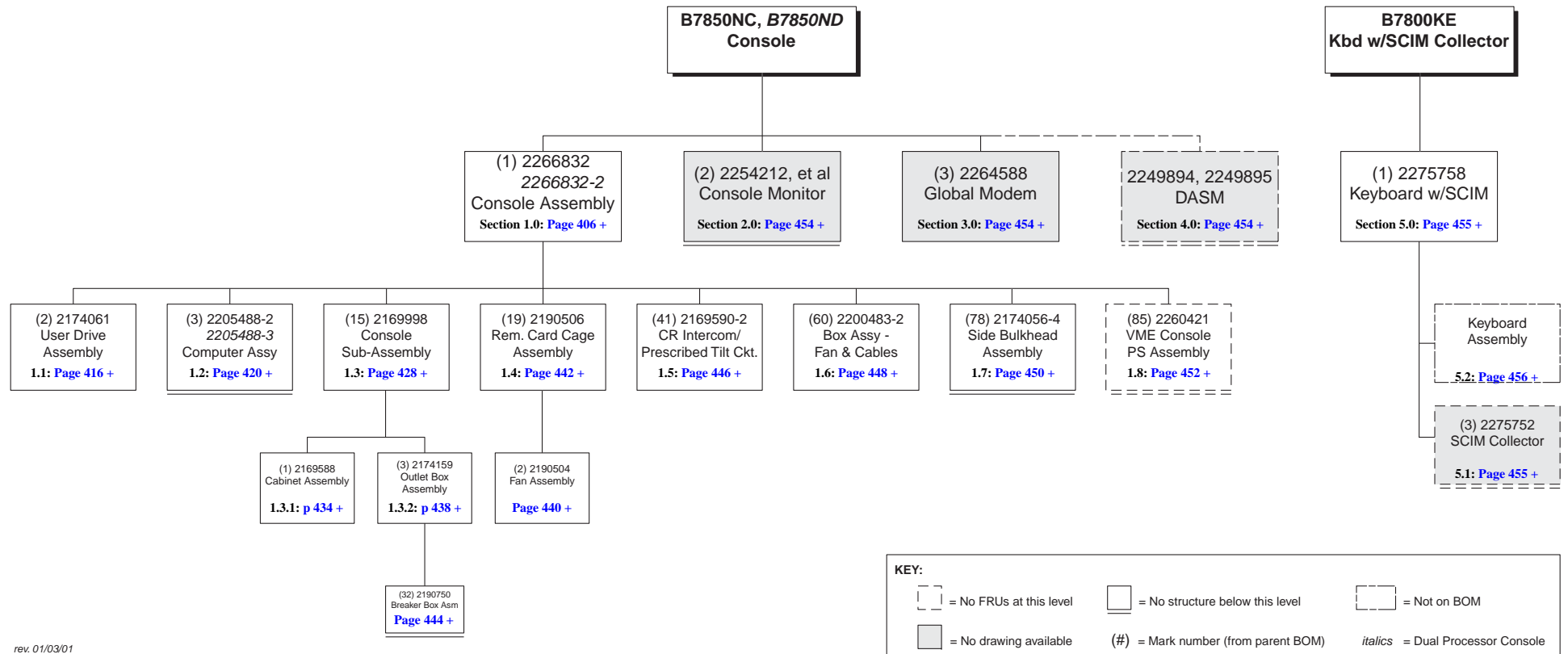
Table 4-100 Gantry Cover Dollies (rev 03/19/02)

Chapter 5

Console w/o PEG-IG

Note: LightSpeed 2.X CT scanners may use any one of four Operator's Consoles. These include:

- **H2 Console without PEG-IG** - See *This* Chapter
- **H2 Console with PEG-IG** - See Chapter 6.
- **GOC3 (a.k.a GRE Xtream)** - See the *GOC3 Illustrated Parts List*, Direction 2394950-100. It is available for order in paper, or may be found as a PDF on the *GOC3 Installation & Service Info* CD-ROM (2384451-200) that came with the GRE Console. The PDF may also be found on GE's Common Documentation Library.
- **GOC4 (a.k.a GRE Xtream)** - See the *GOC4 Illustrated Parts List*, Direction 5134893-100. It is available for order in paper, or may be found as a PDF on the *GOC4 Installation & Service Info* CD-ROM (5134894-200) that came with the GRE Console. The PDF may also be found on GE's Common Documentation Library.



rev. 01/03/01

Figure 5-1 Console w/o PEG-IG BOM Tree

MARK	NUMBER	QTY	FRU	DESCRIPTION/NAME
2	2254212	2.000	Yes	SONY GDM-5402T9 21" COLOR {For further detail, see Section 2.0 , beginning on page 454 .}
1	2266832*	1.000	No	CONSOLE ASSY - H2 {For further detail, see Section 1.0 , beginning on page 406 .}
3	2264588	1.000	No	GLOBAL MODEM {For further detail, see Section 3.0 , beginning on page 454 .}

* Dual Processor Console (B7850ND) uses console assembly 2266832-2.

Table 5-1 Console w/Monitor (B7850NC BOM, rev 1)

Section 1.0 — Console Assembly (2266832)

REVISIONS

REV/ST	MADE BY	CH	DATE	POW/ZZ NO.	DESCRIPTION
B	DARRELL MILLER	JOSEPH11	NCN	ADD PHYSICAL ID 2266832-2	
C	DARRELL MILLER	JOSEPH12	NCN	ADD APPROVAL SIGNATURES	
D	DARRELL MILLER	JOSEPH13	NCN	ADDED NOTE 7; ITEM 85 HAS 83 AT Q-13; ADDED 4x AT ITEM 63 & 65 AT J-1	

TORQUE FASTENERS USING THE FOLLOWING VALUES

SCREW SIZE	TORQUE STEEL NUT MATL
M2,5	0,65 Nm
M4	160 Ncm

EXCEPTIONS ARE NOTED ON DRAWING BY ITEM CALLOUTS

NOTE:

- SET SWITCH TO THE OFF POSITION ON TRANSCIVER ITEM 52 BEFORE ASSEMBLY
- SET SCSI ID SWITCHES ON CENTRAL DATA ITEM 6 BEFORE ASSEMBLY, SEE VIEW THIS SHEET
- ITEM 39 HAS NO PHYSICAL ITEM, SOFTWARE RTU ONLY
- MODEM CABLE ITEM 21 AND MOUSE (PART OF ITEM 3), TO BE FURNISHED WITH ASSEMBLY
- REMOVE MOUNTING FASTENERS, IF PRESENT, FROM BOARDS (ITEMS 49 AND 50) BEFORE INSTALLING
- CIRCUIT BOARD FACEPLATE MOUNTING HARDWARE SUPPLIED WITH BOARD ITEM 118
- ITEMS 40, 96, 97, 99, 109, 110, 111 AND 123, NOT SHOWN ON DRAWING, TO BE SHIPPED WITH CONSOLE

THE REVISION NUMBER OF THIS SHEET IS THE CONTROL NUMBER OF THIS DRAWING. ANY CHANGES TO THIS DRAWING MUST BE APPROVED BY THE DESIGN ENGINEER. THE CHANGE MUST BE INDICATED IN THE CHANGE LOG.

REV	DATE	BY	CHKD	APPD
1				
2				
3				
4				
5				
6				
7				
8				
9				
10				
11				
12				
13				
14				
15				
16				
17				
18				
19				
20				
21				
22				
23				
24				
25				
26				
27				
28				
29				
30				
31				
32				
33				
34				
35				
36				
37				
38				
39				
40				
41				
42				
43				
44				
45				
46				
47				
48				
49				
50				
51				
52				
53				
54				
55				
56				
57				
58				
59				
60				
61				
62				
63				
64				
65				
66				
67				
68				
69				
70				
71				
72				
73				
74				
75				
76				
77				
78				
79				
80				
81				
82				
83				
84				
85				
86				
87				
88				
89				
90				
91				
92				
93				
94				
95				
96				
97				
98				
99				
100				
101				
102				
103				
104				
105				
106				
107				
108				
109				
110				
111				
112				
113				
114				
115				
116				
117				
118				
119				
120				
121				
122				
123				

PHYSICAL ID: 2266832
2266832-2

PART LABELING NOT PERMISSIBLE PER GEHS DWG 46-274914

REV	DATE	BY	CHKD	APPD
1				
2				
3				
4				
5				
6				
7				
8				
9				
10				
11				
12				
13				
14				
15				
16				
17				
18				
19				
20				
21				
22				
23				
24				
25				
26				
27				
28				
29				
30				
31				
32				
33				
34				
35				
36				
37				
38				
39				
40				
41				
42				
43				
44				
45				
46				
47				
48				
49				
50				
51				
52				
53				
54				
55				
56				
57				
58				
59				
60				
61				
62				
63				
64				
65				
66				
67				
68				
69				
70				
71				
72				
73				
74				
75				
76				
77				
78				
79				
80				
81				
82				
83				
84				
85				
86				
87				
88				
89				
90				
91				
92				
93				
94				
95				
96				
97				
98				
99				
100				
101				
102				
103				
104				
105				
106				
107				
108				
109				
110				
111				
112				
113				
114				
115				
116				
117				
118				
119				
120				
121				
122				
123				

SCSI ID SWITCH SETTINGS

M BOTH SIDES

Figure 5-2 Console Assembly (2266832, sheet 1, rev 0)

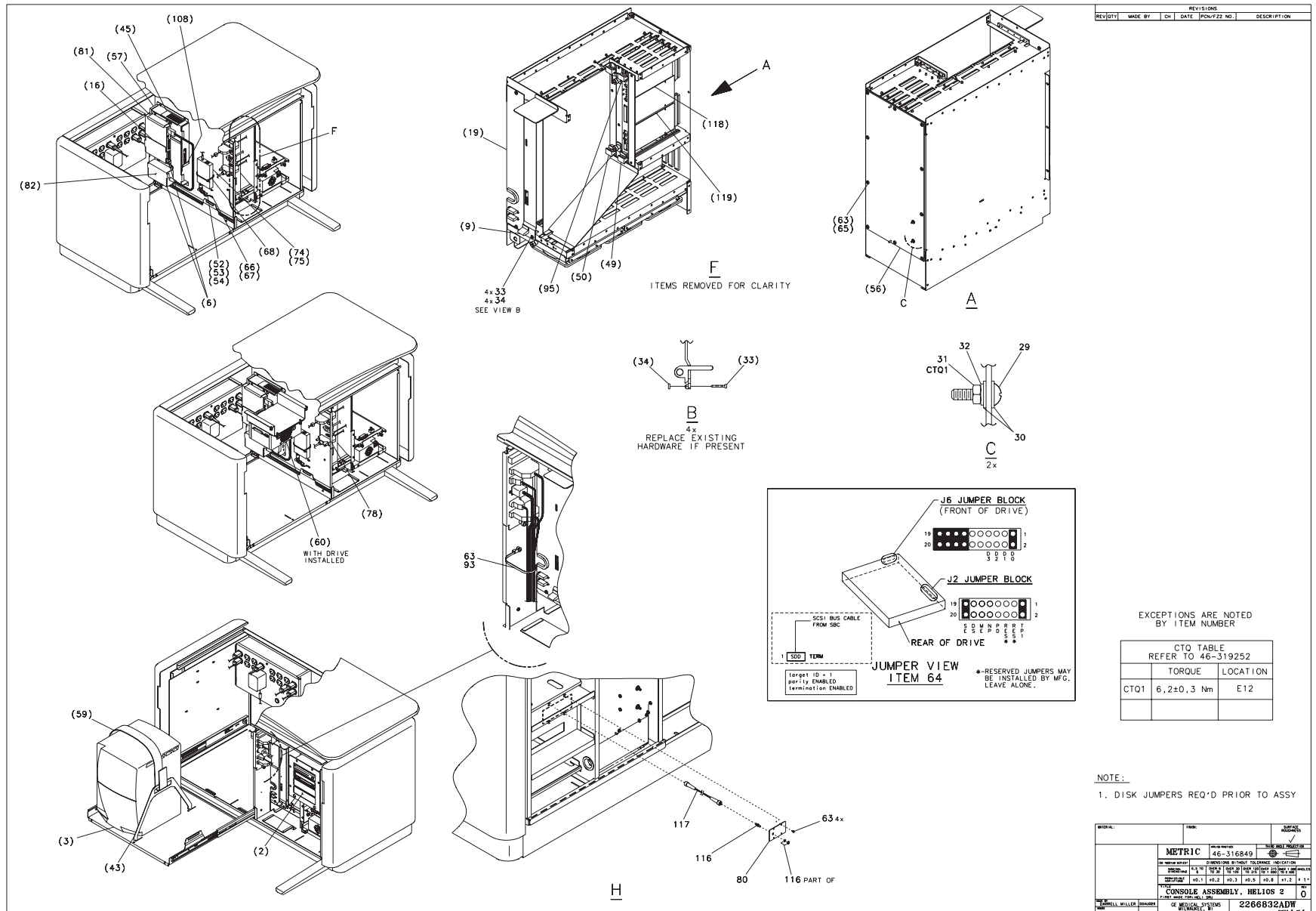


Figure 5-3 Console Assembly (2266832, sheet 2, rev 0)

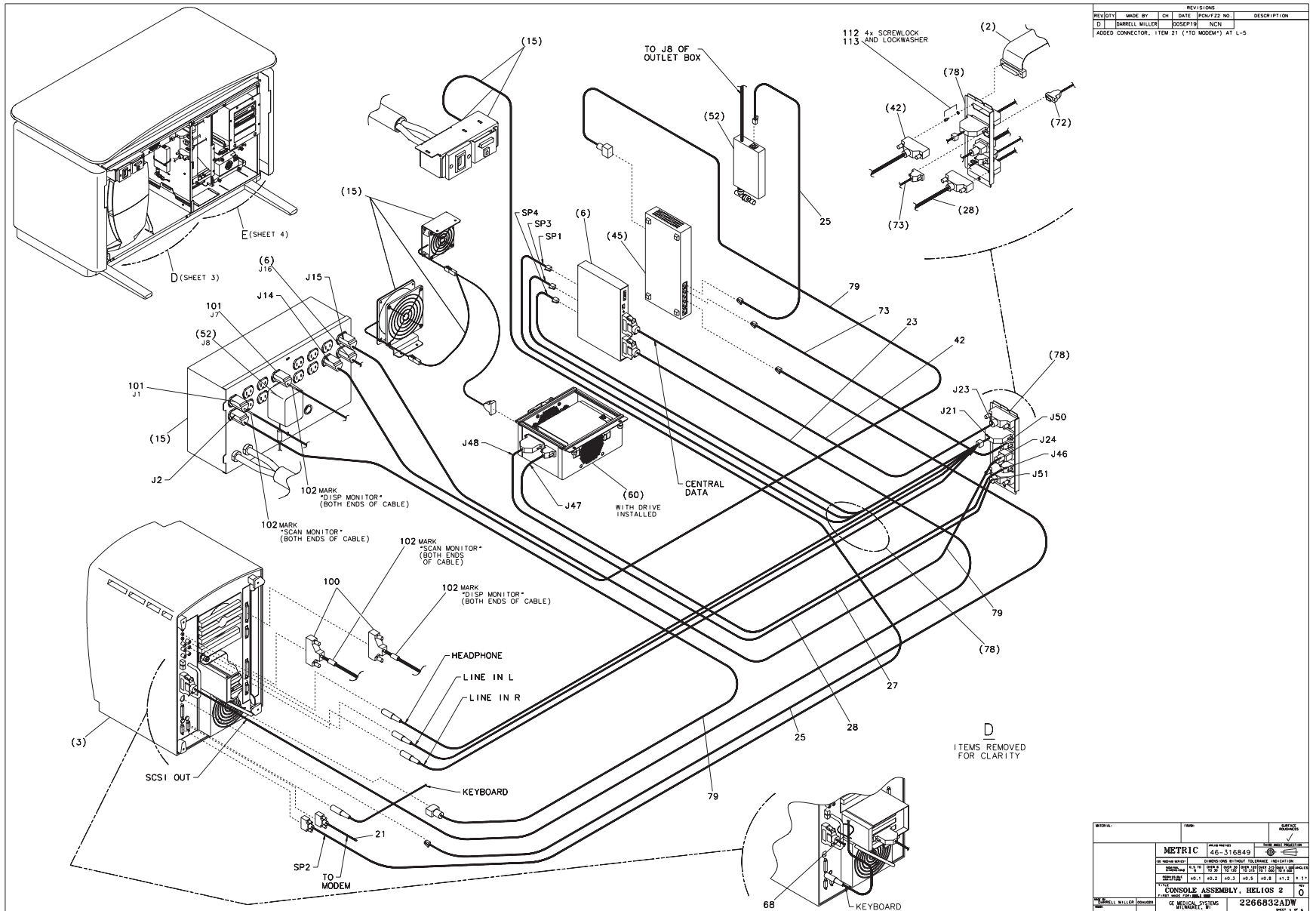


Figure 5-4 Console Assembly (2266832, sheet 3, rev 0)

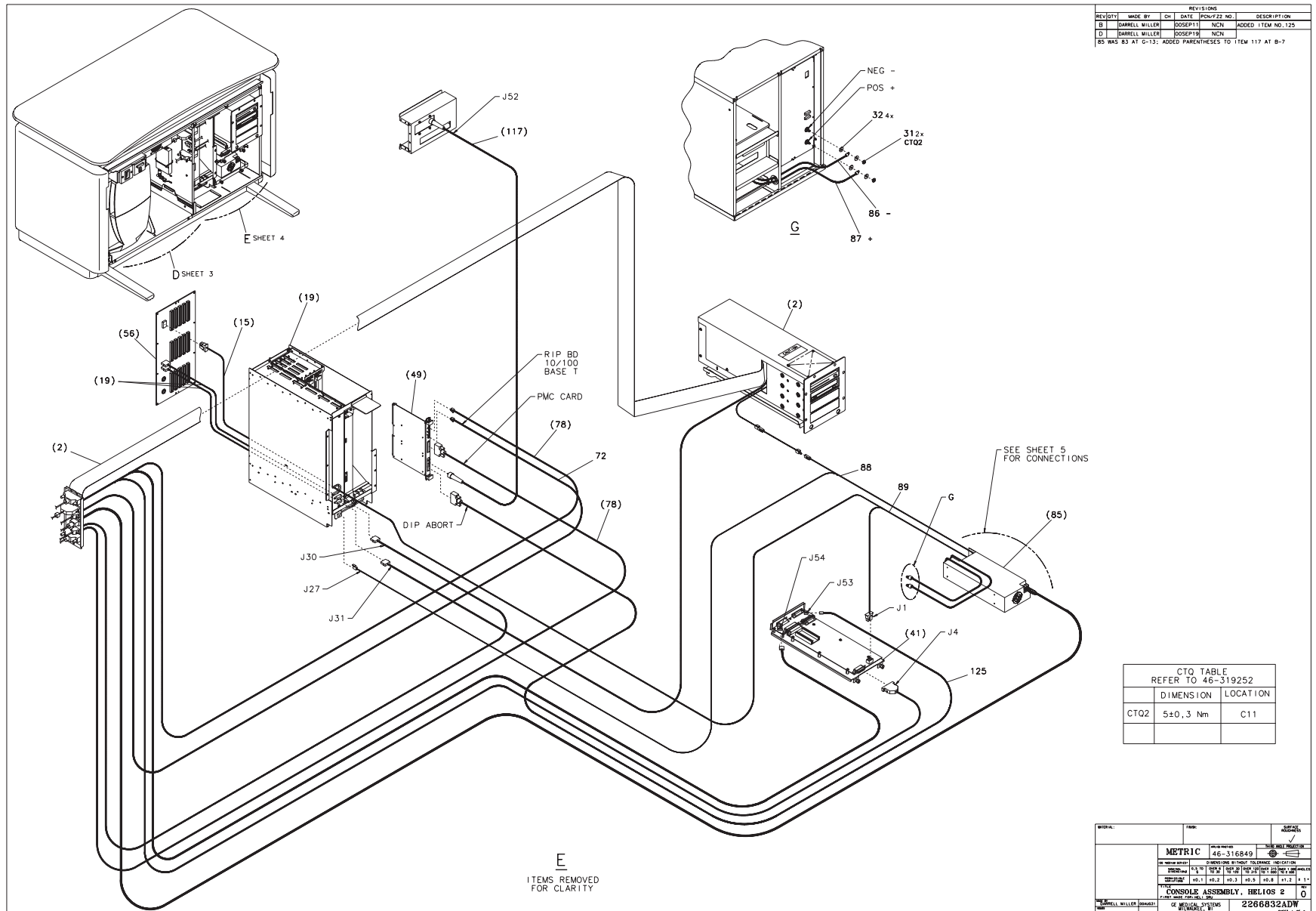


Figure 5-5 Console Assembly (2266832, sheet 4, rev 0)

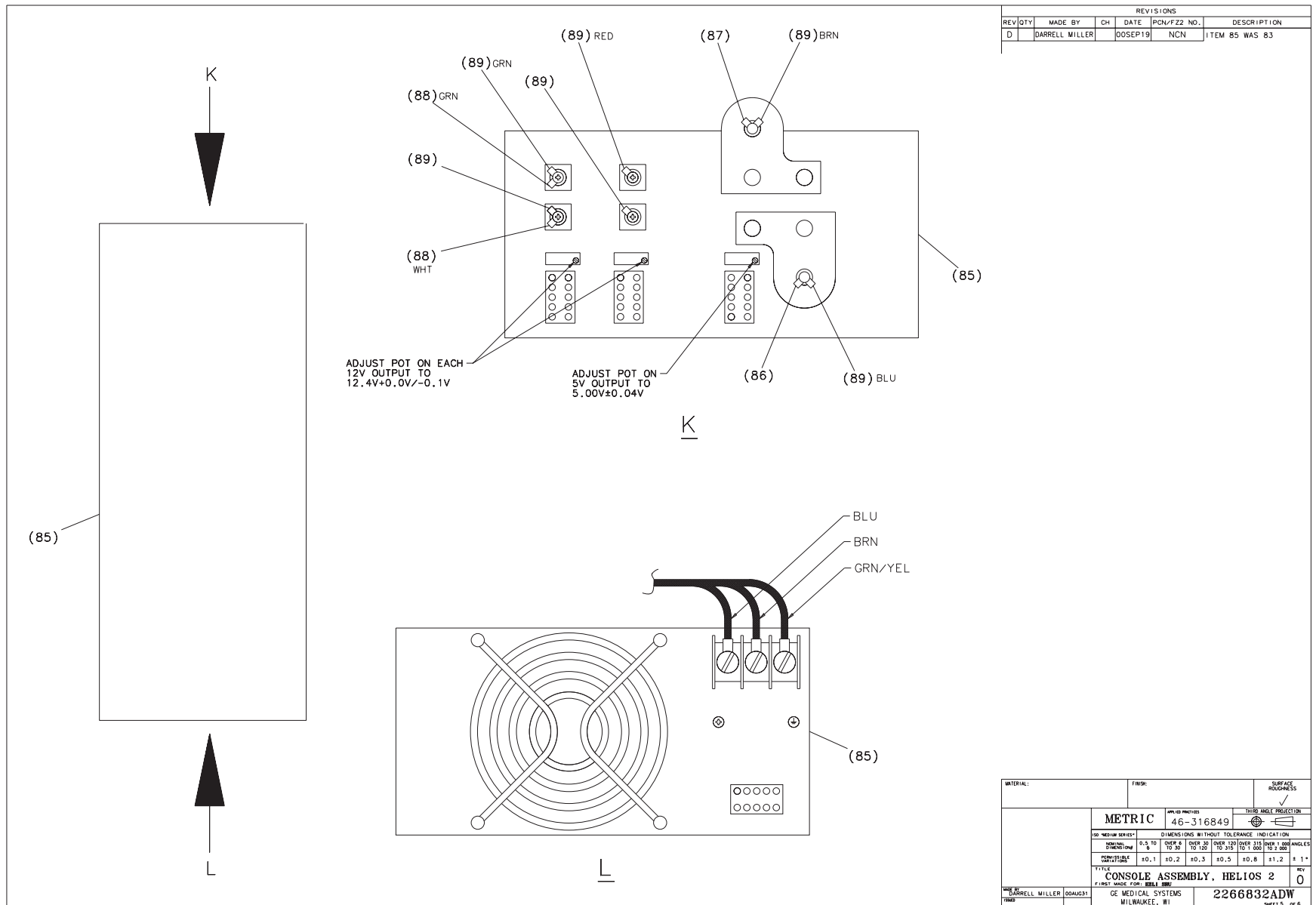


Figure 5-6 Console Assembly (2266832, sheet 5, rev 0)

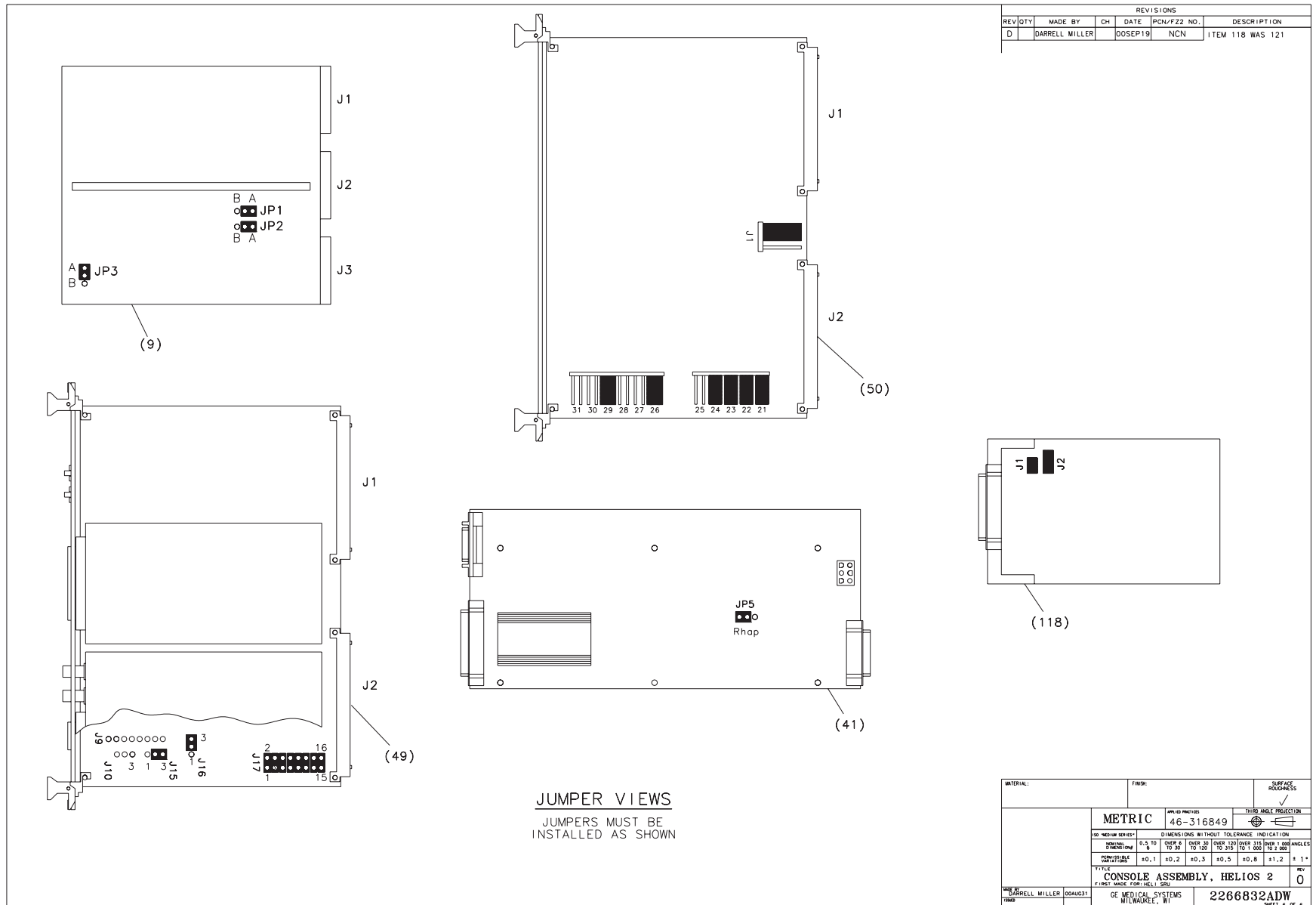


Figure 5-7 Console Assembly (2266832, sheet 6, rev 0)

MARK	NUMBER	QTY	FRU	DESCRIPTION/NAME
9	2118899-2	1.000	Yes	RHAPSODE IMAGE GENERATOR
21	2206183	1.000	Yes	NEXGEN CABLE OCTANE TO MO
23	2191432-2	1.000	Yes	SCSI CABLE, OCTANE - DASM
25	2174128	2.000	Yes	HELIOS ETHERNET SWITCH TO
27	2212407	1.000	Yes	NEXGEN HARD DRIVE POWER C
28	2191454-3	1.000	Yes	SCSI CABLE, DRV BOX TO S/
40	2214280	1.000	Yes	REPLACEMENT HARDWARE COLLECTOR
42	2191439-2	1.000	Yes	SCSI CABLE, CENTRAL DATA
45	2197229-3	1.000	Yes	5 PORT WITH HUB FAST ETHERNET
49	2197234-2	1.000	Yes	VME BASED POWER PC CIRCUIT BOARD
50	2185174	1.000	Yes	VME BASED 6X SHARC DSP BOARD
52	2148559	1.000	Yes	10BASE-2 TO UTP CONVERTER
53	46-297332P1	1.000	Yes	50 OHM, BNC TEE ADAPTOR
54	2154019	1.000	Yes	50 OHM BNC GROUNDED TERMINATOR
56	2141161	1.000	Yes	RHAPSODE BACKPLANE
64	2225004-2	1.000	Yes	DISK DRIVE, 18GB SCAN DATA
65	46-328431P1	27.000	Yes	WASHER PLAIN - LARGE 4.3
72	2199633	1.000	Yes	HELIOS RIP BD TO SIDE BUL
73	2199634	1.000	Yes	HELIOS SIDE BULKHEAD TO E
79	2142226	3.000	Yes	POWER CORD FOR EMC AREA
85	2260421	1.000	Yes	VME CONSOLE POWER SUPPLY {For further detail, see Section 1.8, beginning on page 452.}
88	2141469	1.000	Yes	P.S. TO FANS
89	2191444	1.000	Yes	NEXGEN HARNESS FROM POWER
95	2264874	2.000	Yes	BRACKET, CIRCUIT BRD RETA
96	2142726	2.000	Yes	DICOM MAGNETO OPTICAL DIS
97	2141620	1.000	Yes	GE PC-TRAC TRACKBALL

Table 5-2 Console Assembly (2266832 BOM, rev 2)

MARK	NUMBER	QTY	FRU	DESCRIPTION/NAME
99	2227726	1.000	Yes	MOUSE PAD FOR LIGHTSPEED
100	2256482	2.000	Yes	CABLE, 13W3-DB15 RGB CRT
101	2142225	2.000	Yes	MONITOR POWER CORD
112	46-221417P3	2.000	Yes	FEMALE SCREWLOCKS FOR HD
116	2265406	1.000	Yes	FIBER-OPTIC COUPLING RECE
117	2264931	1.000	Yes	CABLE, FIBER OPTIC - HELI
118	2265396	1.000	Yes	CIRCUIT BOARD-SCSI DAUGHT
119	2275604	1.000	Yes	DIP ASSEMBLY, H1.2 MOD TO
125	2269876	1.000	Yes	CABLE - H2 INTERNAL ABORT
1	46-302200P1	1.000	No	RATING PLATE W/ SN, MN_&
2	2174061	1.000	No	CONSOLE USER DRIVE ASSY {For further detail, see Section 1.1, beginning on page 416.}
3A	2205488-2	1.000	No	OCTANE COMPUTER ASSY-HELIOS PLUS {For further detail, see Section 1.2, beginning on page 420.}
3B	2205488-3	ALT	No	OCTANE COMPUTER ASSY-HELIOS PLUS W/ D3D {For further detail, see Section 1.2, beginning on page 420.}
4	2190560	1.000	No	FRONT EMC COVER - NEXGEN
5	2190561	1.000	No	REAR EMC COVER - NEXGEN H
6	2174053	1.000	No	SCSI 4-PORT EXPANDER
10	2132370	1.000	No	CSA LABEL NRTL/C
12	2102550	AR	No	TRANSPARENT PROTECTIVE TA
13	2117390	1.000	No	LABEL, CE MARKING COMPLIA
14	2132620	1.000	No	CE MARKING LABEL CLASS A
15	2169998	1.000	No	NEXGEN/HELIOS CONSOLE SUB {For further detail, see Section 1.3, beginning on page 428.}
16	2173323	1.000	No	BRACKET - SERIAL PORT EXP
19	2190506	1.000	No	REMOVEABLE CARD CAGE ASSY {For further detail, see Section 1.4, beginning on page 442.}
29	46-220184P54	2.000	No	SCREW

Table 5-2 Console Assembly (2266832 BOM, rev 2) (Continued)

MARK	NUMBER	QTY	FRU	DESCRIPTION/NAME
30	1000904P475	4.000	No	ID 0.281 OD 0.625 THK .
31	46-208935P8	4.000	No	1/4-20, 7/16" HEX X 3/16
32	46-221449P6	6.000	No	SCREW SIZE 1/4 (0.250) PH
33	2142006	4.000	No	HEX SOC SCREW M2,5 X 16
34	2104490	4.000	No	NYLON WASHER KEYSTONE #33
36	2105653-2	1.000	No	RUNTIME TARGET LICENSE LA
39	46-269568P1	1.000	No	INFORMIX SOFTWARE-DATA BA
41	2169590-2	1.000	No	CR INTERCOM/PRESCRIBED TILT {For further detail, see Section 1.5, beginning on page 446.}
43	2194358	1.000	No	CPU STRAP HOLD DOWN BRACKET
57	2195386	1.000	No	SWITCH MOUNTING BRACKET -
58	2191331	1.000	No	ETHERNET SWITCH MOUNTING
59	2191330	1.000	No	CPU HOLD DOWN STRAP
60	2200483-2	1.000	No	BOX ASSY-FAN AND CABLES_H {For further detail, see Section 1.6, beginning on page 448.}
61	2190538	1.000	No	HARD DRIVE MOUNTING BRACKET
62	46-170015P10	4.000	No	SCREW
63	2103585-2	30.000	No	SCREW PAN HEAD 4 MM 10 MM
66	46-328421P4	1.000	No	SCREW PAN HEAD 2.5 MM 6 M
67	46-328432P1	1.000	No	WASHER LOCK - SPRING 2.6
68	46-208758P9	2.000	No	11.08"X .140" SELF-LOCKIN
74	46-136246P21	AR	No	2" WIDE X 25 YD WHITE VEL
75	46-136246P14	AR	No	2" WIDE, WHT, ADH BACK, V
78	2174056-4	1.000	No	SIDE BULKHEAD ASSY-HELIOS {For further detail, see Section 1.7, beginning on page 450.}
80	2270040	1.000	No	PLATE, ACCESS H2
81	2191220	1.000	No	DATA CENTRAL MTG - TOP
82	2173330	1.000	No	BRACKET - AC ADAPTER
86	2141465	1.000	No	4 AWG 62" LONG

Table 5-2 Console Assembly (2266832 BOM, rev 2) (Continued)

MARK	NUMBER	QTY	FRU	DESCRIPTION/NAME
87	2141466	1.000	No	4 AWG 62" LONG
90	46-312679P2	4.000	No	INTERNALLY RIBBED GROMMET
91	46-328432P2	1.000	No	WASHER LOCK - SPRING 4.1
92	46-328425P1	1.000	No	NUT HEXAGON 4 MM
93	46-208759P1	1.000	No	7.81" X .184" SELF-LOCKIN
102	46-208781P2	8.000	No	WRITE-ON LABEL FOR MARKIN
108	2271508	1.000	No	BRACKET, SWITCH MOUNTING
110	2240540	1.000	No	NETSCAPE LICENSE
111	2249665	1.000	No	CASTENET S/W LICENSE PACK
113	46-170686P3	AR	No	LOCTITE 242, 50CC
120	46-328421P3	10.000	No	SCREW PAN HEAD 2.5 MM 5 M
121	2209277	2.000	No	STANDOFF/SPACER FEMALE/FE
122	46-208758P1	1.000	No	3.62" X .094" CABLE TIE
123	2255847	1.000	No	VISIBROKER RUN-TIME LICEN
124	46-220183P1	8.000	No	0.500 SQ X 0.225 THK BLK

Table 5-2 Console Assembly (2266832 BOM, rev 2) (Continued)

1.1 Console User Drive Assembly (2174061)

FRU = NO

USED ON:
 2266832

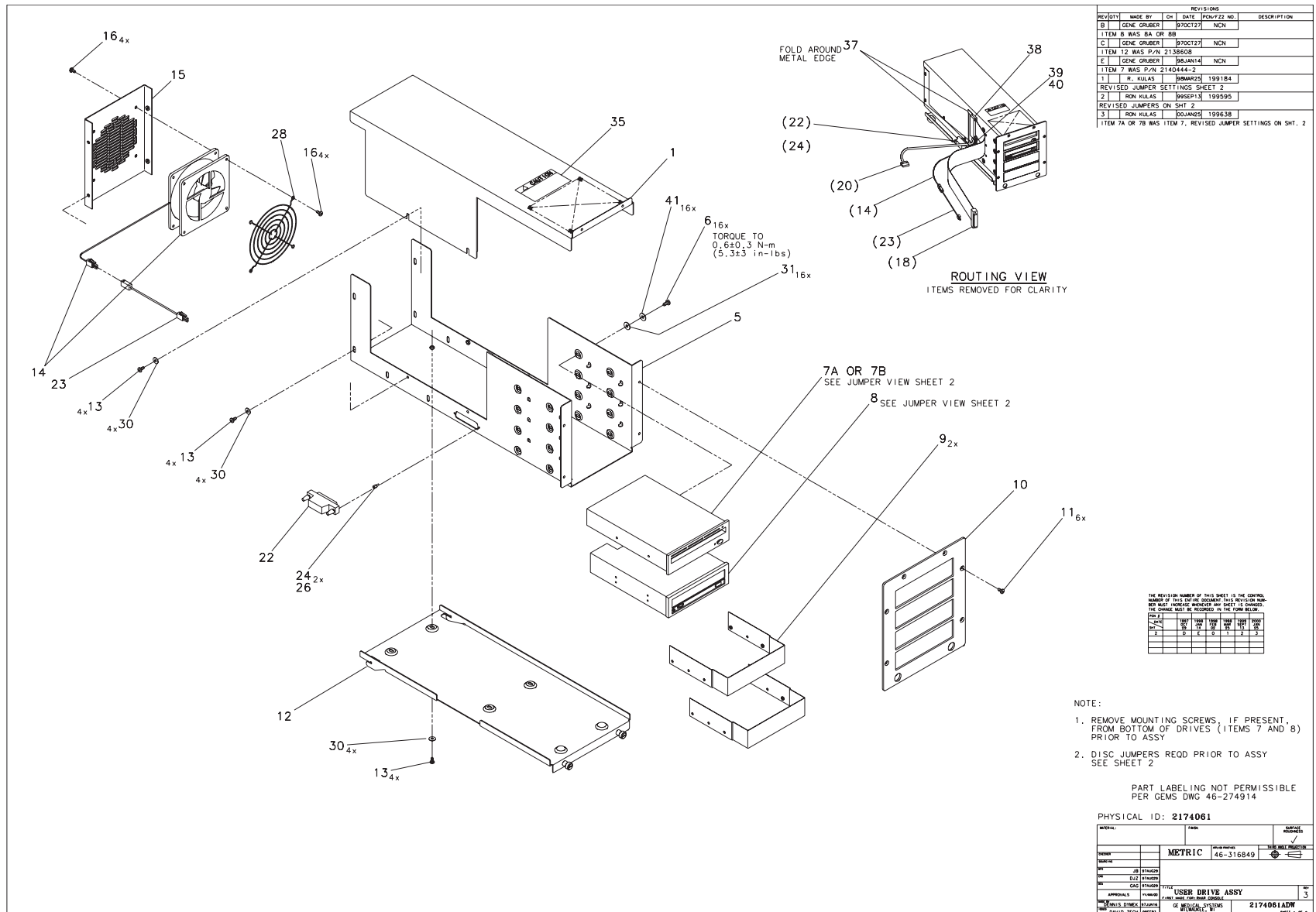


Figure 5-8 Console User Drive Assembly (2174061, sheet 1, rev 3)

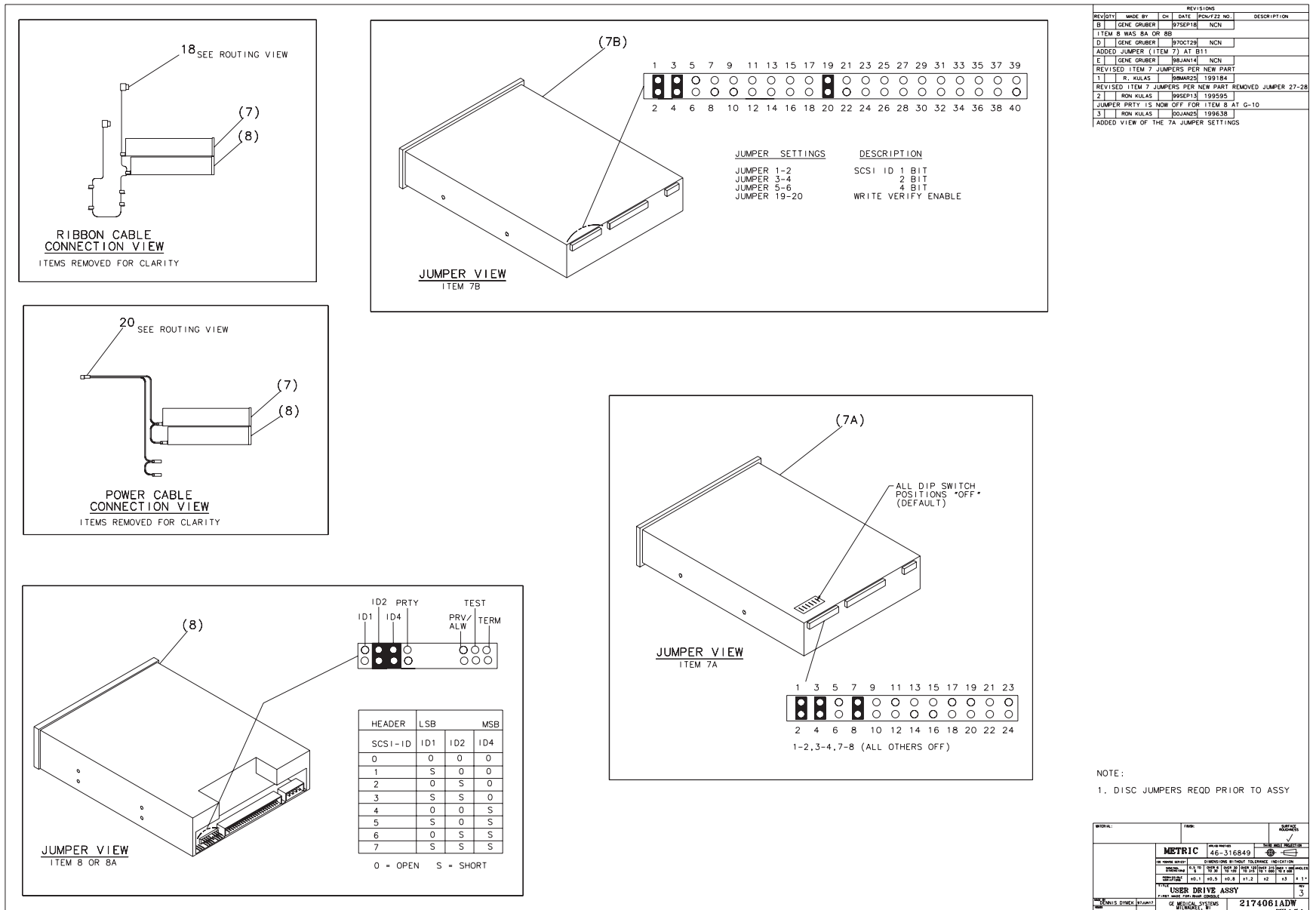


Figure 5-9 Console User Drive Assembly (2174061, sheet 2, rev 3)

MARK	NUMBER	QTY	FRU	DESCRIPTION/NAME
6	46-328421P501	16.000	Yes	SCREW PAN HEAD 3 MM 5 MM
7A	2260734-2	1.000	Yes	MAGNETO OPTICAL DISK DRIVE_STAR T5
7B	2206624-5	ALT	Yes	MOD FOR INTERNAL MOUNT IN CUSTOMER'S
8	2253371	1.000	Yes	CDROM DRIVE 32X
8A	2219106	ALT	Yes	32X CDROM DRIVE
10	2138604	1.000	Yes	USER DRIVE FRONT BEZEL
11	46-208908P33	6.000	Yes	SCREW STEEL, FLAT HEAD 8--32 X .375,
14	2141473	1.000	Yes	12VDC FAN WITH CONNECTOR
18	2191434	1.000	Yes	NEXGEN CABLE FROM SIDE BULKHEAD TO
20	2141463	1.000	Yes	FOR 4 DRIVES, 81" LONG
22	46-269601P1	1.000	Yes	ACTIVE REGULATED SCSI TER
23	2141468	1.000	Yes	FAN POWER EXTENSION
24	46-221417P4	2.000	Yes	FEMALE SCREWLOCKS FOR HD
26	46-170686P3	AR	Yes	LOCTITE 242, 50CC
28	46-403307P1	1.000	Yes	FAN ACCESSORIES FINGER GU
31	46-311804P2	16.000	Yes	3.2X9X.8 ZP ST DIN
38	46-220191P5	1.000	Yes	PANDUIT FCM3-A-14 GRAY
39	46-208747P2	2.000	Yes	CABLE TIE, ADHESIVE BACKE
40	46-208758P2	2.000	Yes	5.5" X .140" SELF-LOCKING
41	46-311805P10	16.000	Yes	HELICAL LOCK WASHER
1	2138605	1.000	No	USER DRIVER ENCLOSURE TOP
5	2138606	1.000	No	USER DRIVE ENCLOSURE
9	2140832	2.000	No	UNUSED DRIVE OPENING COVER
12	2202860	1.000	No	USER DRIVE TRAY NEXGEN/HELIOS
13	46-170015P14	12.000	No	SCREW
15	2141457	1.000	No	USER DRIVE FAN MOUNTING PANEL
16	46-208897P16	8.000	No	SCREW

Table 5-3 Console User Drive Assembly (2174061 BOM, rev 4)

MARK	NUMBER	QTY	FRU	DESCRIPTION/NAME
30	12-277	12.000	No	WASHER, FLAT
35	2153015	1.000	No	CAUTION DO NOT RMVE ASSY
37	46-170209P1	AR	No	0.034 X 1.00 X 100 FT

Table 5-3 Console User Drive Assembly (2174061 BOM, rev 4) (Continued)

1.2 Octane Computer Assembly

FRU = NO

USED ON:
 2266832

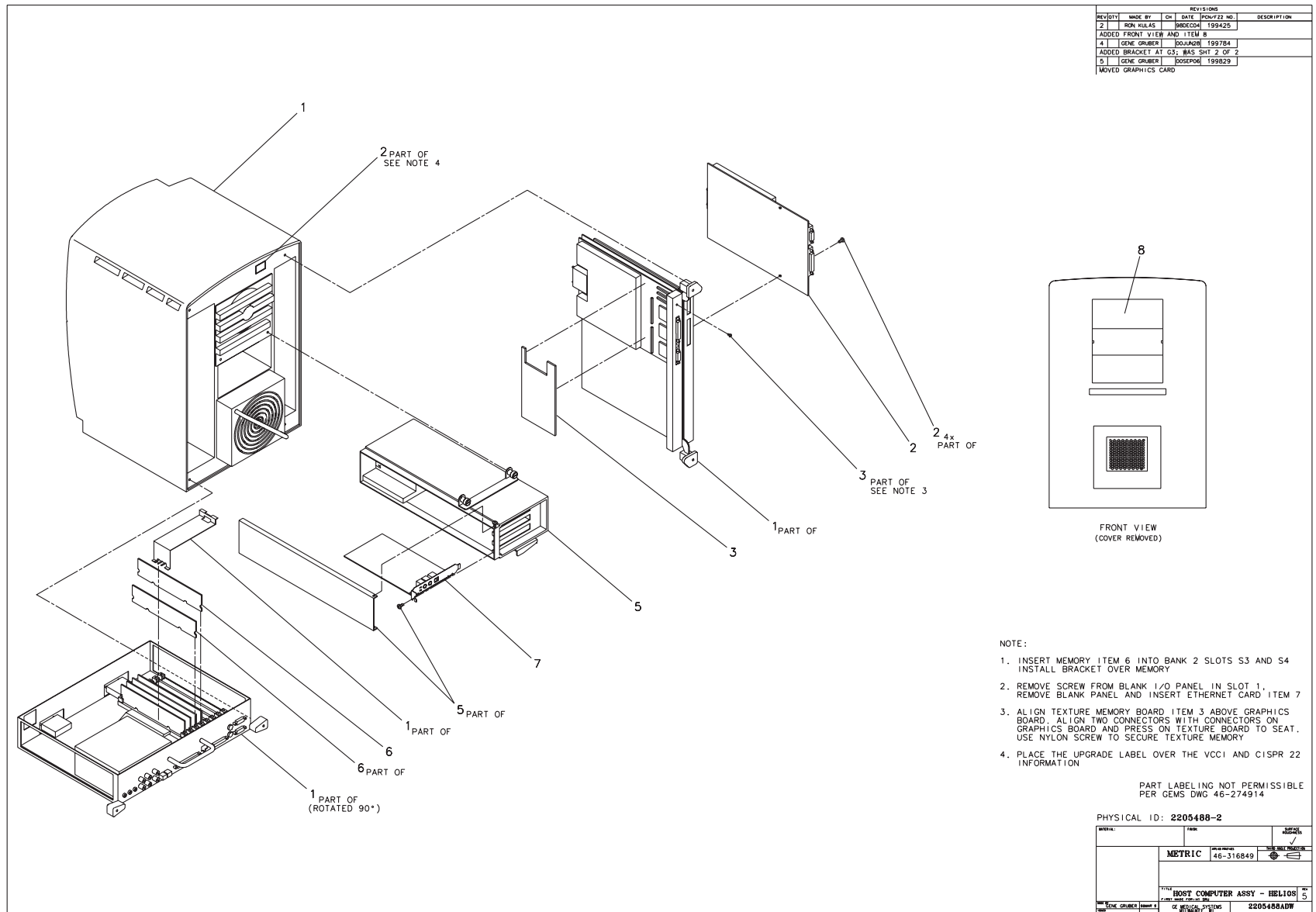


Figure 5-10 Octane Computer Assembly (2205488, sheet 2, rev 5)

MARK	NUMBER	QTY	FRU	DESCRIPTION
2	2169940-36	1	Yes	DUAL HEAD SE GRAPHICS OPTION/SPARE
3	2169940-37	1	Yes	4MB SE TEXTURE MEMORY OPTION/SPARE
5	2169940-7	1	Yes	OPTION PCI CARDCAGE
6A	2199806-5	1	Yes	2 X 128 MB OCTANE KIT/PAIR
6B	2280645	ALT	Yes	256MB MEMORY KIT, KINGSTO
7	2169940-8	1	Yes	OPTION PCI ETHERNET CARD
8A	2169940-52	1	Yes	9 GB "PISCES" DISK DRIVE
8B	2169940-46	ALT	Yes	PCA NEW 9GB DISK DRIVE
1	2169940-43	1	No	R12K BASE CT/MR OCTANE COMPUTER {See Octane Computer, (sheet 1, rev 11/14/00) on page 424}

Table 5-4 Octane Computer Assembly (2205488-2 BOM, rev 8)

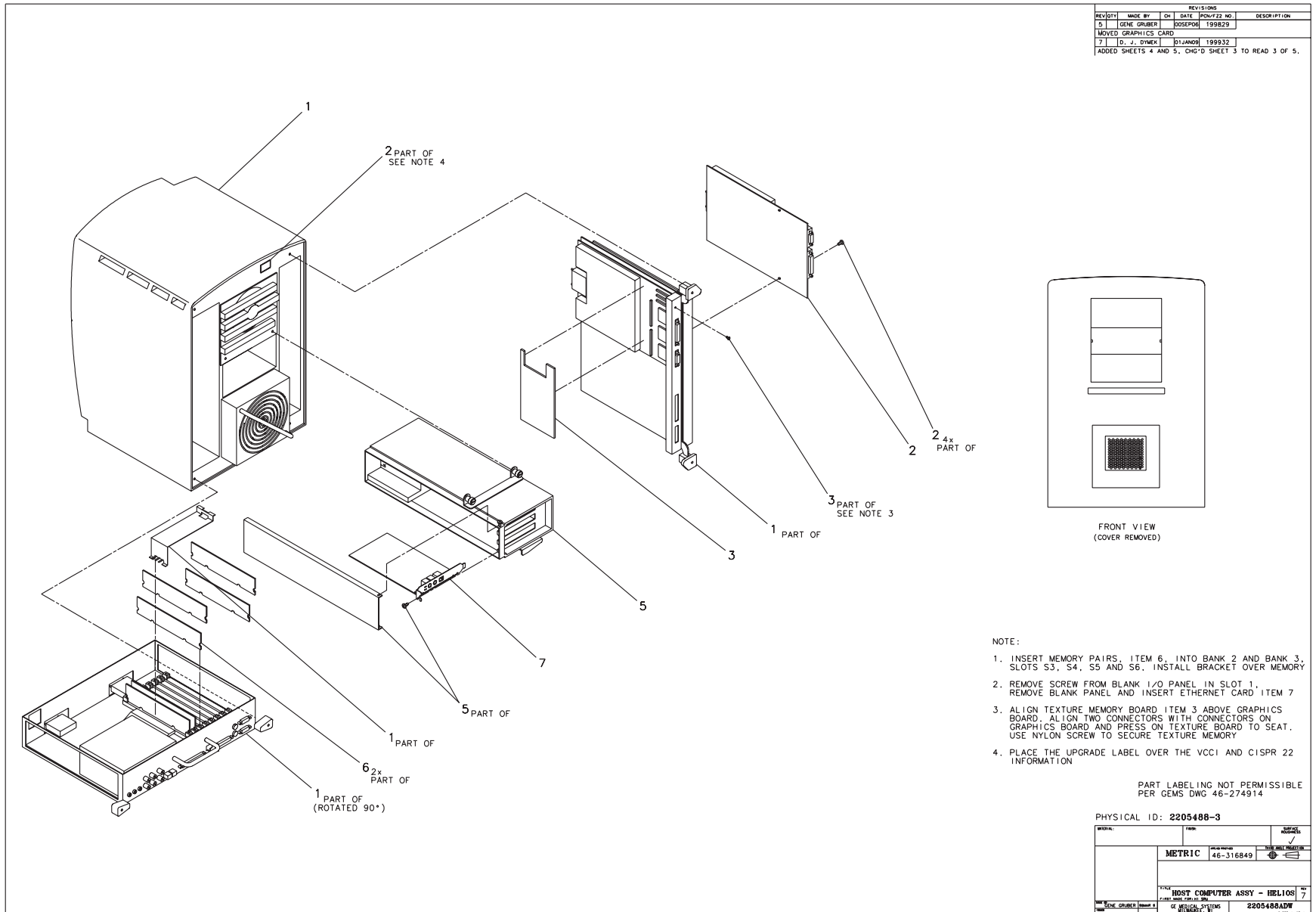


Figure 5-11 Octane Computer Assembly w/D3D (2205488, sheet 3, rev 7)

MARK	NUMBER	QTY	FRU	DESCRIPTION
2	2169940-36	1.000	Yes	DUAL HEAD SE GRAPHICS OPTION
3	2169940-37	1.000	Yes	4MB SE TEXTURE MEMORY OPTION
5	2169940-7	1.000	Yes	OPTION PCI CARDCAGE
6A	2199806-8	2.000	Yes	MEMORY, 2X256MB, LOW PROF
6B	2280645-2	ALT	Yes	512MB MEMORY KIT, KINGSTO
7	2169940-8	1.000	Yes	OPTION PCI ETHERNET CARD
8A	2169940-12	2	Yes	OPTION 9GB DISK DRIVE
8B	2169940-46	ALT	Yes	PCA NEW 9GB DISK DRIVE
1	2169940-50	1.000	No	GEMS BASE DUAL R12K OCTANE

Table 5-5 Octane Computer Assembly w/D3D (2205488-3 BOM, rev 1)

Octane Computer

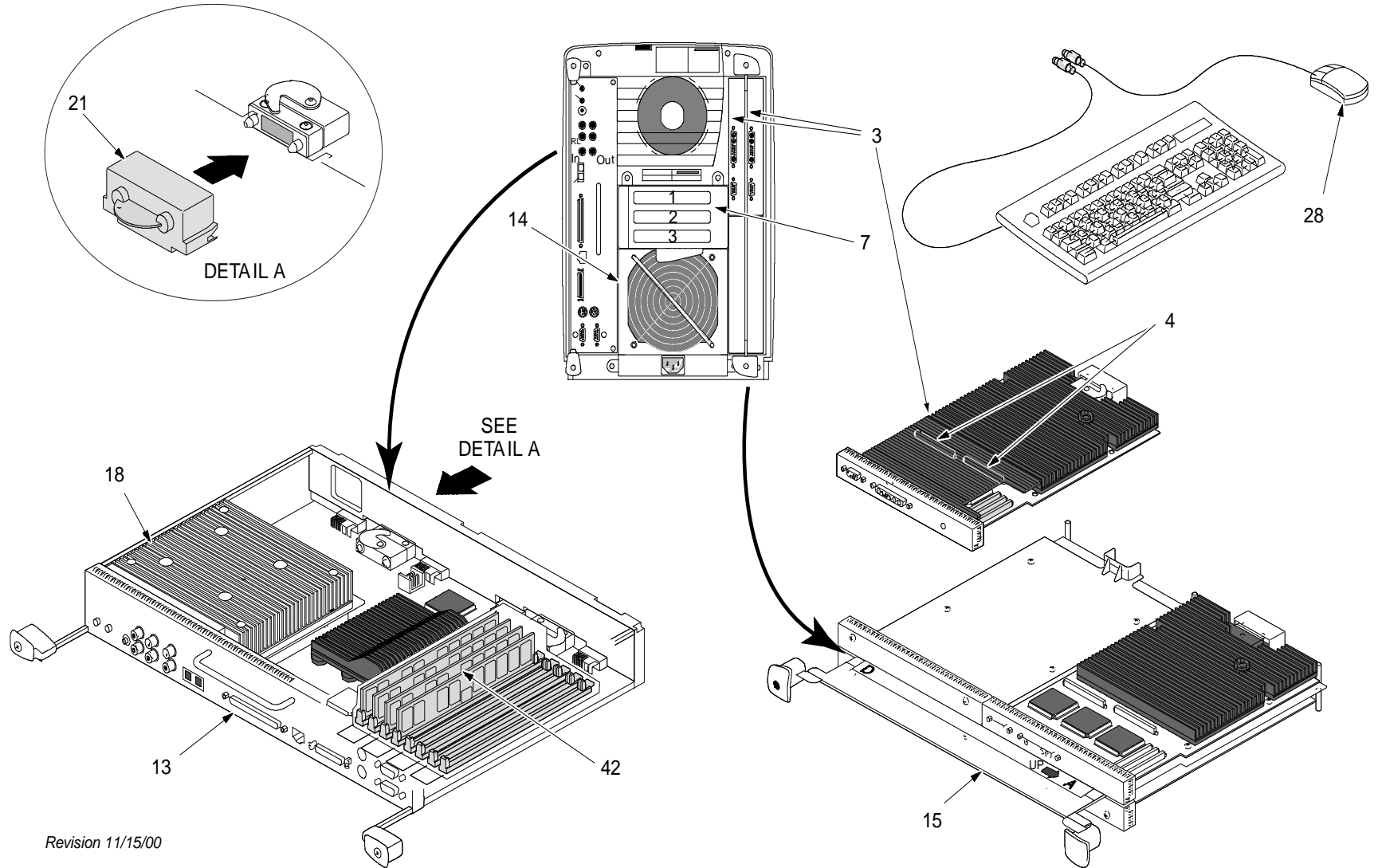
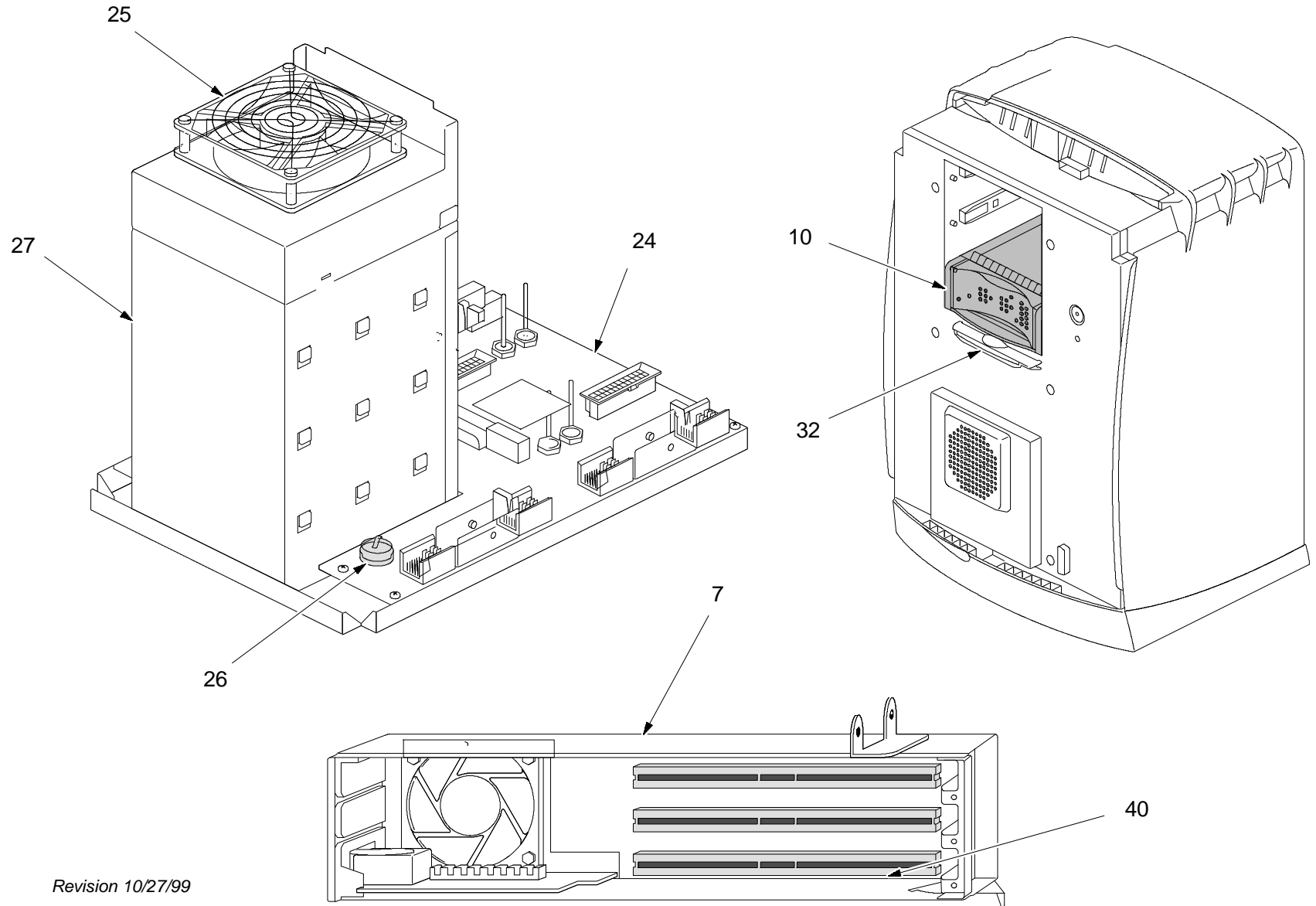


Figure 5-12 Octane Computer, (sheet 1, rev 11/14/00)



Revision 10/27/99

Figure 5-13 Octane Computer, (sheet 2, rev 10/27/99)

MARK	NUMBER	QTY	FRU	DESCRIPTION
3	2169940- 3	1	Yes	GRAPHICS CARD 1 AND CARD 2 / SGI# 030- 0938- 003
3A	2169940- 36	ALT	Yes	GRAPHICS CARD 1 AND CARD 2 / SGI PART# HU- DHSE OR 030- 1241- 002
4	2169940- 4	1	Yes	TEXTURE MEMORY (4MB) / SGI# 030- 0961- 002
4A	2169940- 37	ALT	Yes	TEXTURE MEMORY (4MB) / SGI PART# HU- SETEX OR 030- 1263- 002
7	2169940- 7	1	Yes	PCI MODULE / SGI# PCI- CARD CAGE
10A	2169940-52	1	Yes	9 GB "PISCES" DISK DRIVE
10B	2169940-46	ALT	Yes	PCA NEW 9GB DISK DRIVE
13	2169940- 45	1	Yes	SYSTEM MODULE WITH OUT PROCESSOR OR DIMMS / SGI# 030- 0887- 003
14	2169940- 14	1	Yes	POWER SUPPLY / SGI# 060- 0038- 001
15	2169940- 15	1	Yes	XIO MODULE / SGI# 013- 1600- 005
21	2169940- 21	1	Yes	COMPRESSION CAP / SGI# 050- 0358- 002
24	2169940- 24	1	Yes	FRONT PLANE ASSEMBLY / SGI# 013- 1597- 001
25	2169940- 25	1	Yes	SYSTEM FAN / SGI# 013- 2000- 001
26	2169940- 26	1	Yes	SYSTEM IDENTIFICATION MODULE / SGI# 013- 2501- 001
27	2169940- 27	1	Yes	DRIVE BAYS
28	2169940- 28	1	Yes	MOUSE / SGI# 063- 0009- 001
32	2169940- 32	1	Yes	LIGHT MODULE / SGI# 013- 1918- 001
40	2169940- 8	1	Yes	PCI ETHERNET CARD

Table 5-6 OCTANE Computer Parts

MARK	NUMBER	QTY	FRU	DESCRIPTION
13	2169940- 45	1	Yes	SYSTEM MODULE WITHOUT PROCESSOR OR DIMMS - MOTHERBOARD
18A	2169940- 44	1	Yes	270MHZ R12K SINGLE PROCESSOR / SGI PART # 030-1432-001
18B	2169940- 48	1	Yes	270MHZ R12K DUAL PROCESSOR / SGI PART # 030-1433-001 (DIRECT-3D OPTION)
42	2199806- 8	1 OR 3	Yes	256MB SDRAM DIMMS (PAIR) (STANDARD & OPTION - DIRECT-3D)

Table 5-7 OCTANE Computer (270 MHz R12K and Dual Processor)

MARK	NUMBER	QTY	FRU	DESCRIPTION
18C	2169940-49	1	Yes	300MHZ R12K DUAL PROCESSOR / SGI PART # 030-1356-001 (DIRECT 3D OPTION)

Table 5-8 OCTANE Computer (300 MHz D3D Option)

1.3 Nexgen/Helios Console Sub-Assy (2169998)

FRU = NO

USED ON:
 2266832

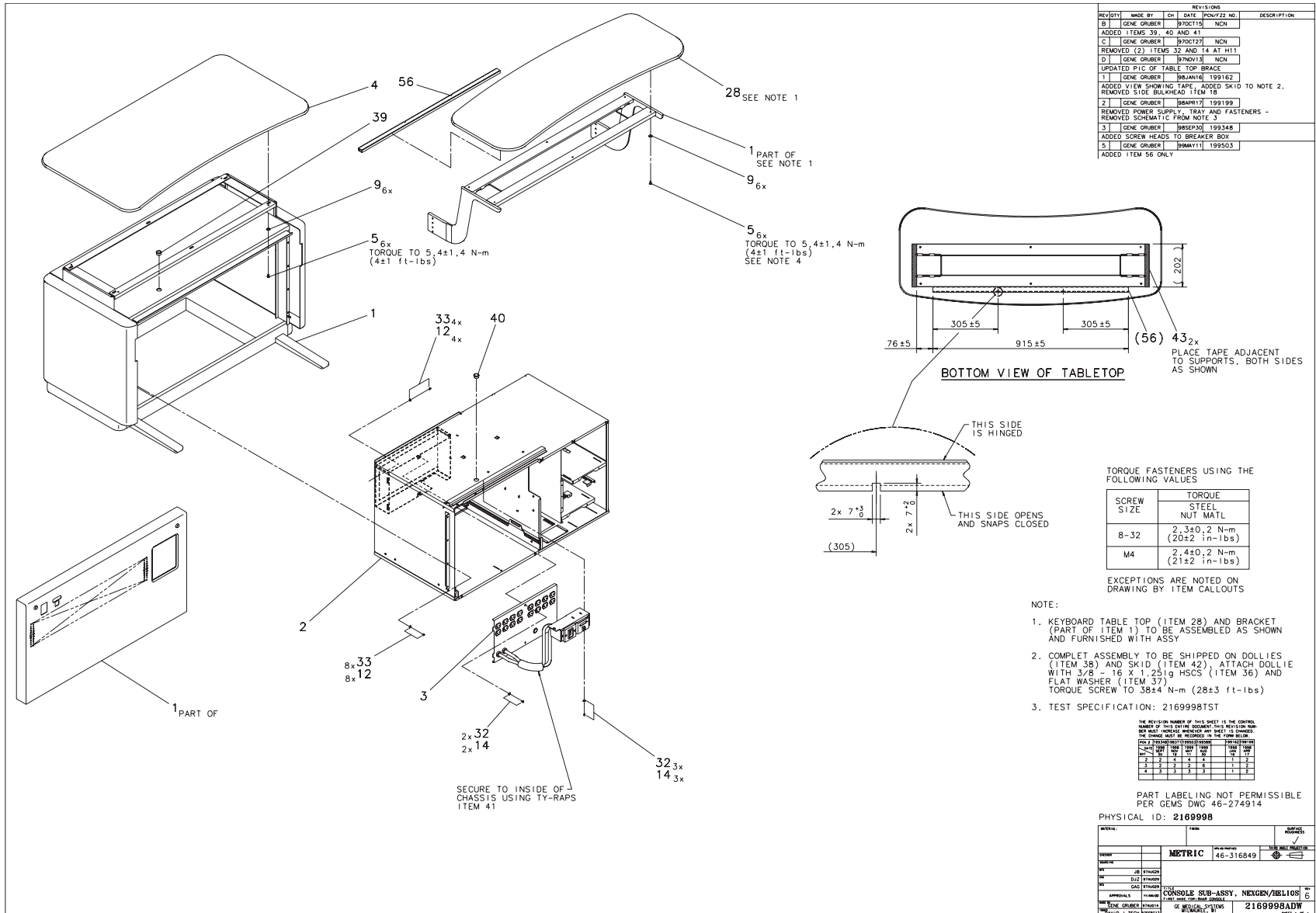


Figure 5-14 Nexgen/Helios Console Sub-Assy (2169998, sheet 1, rev 6)

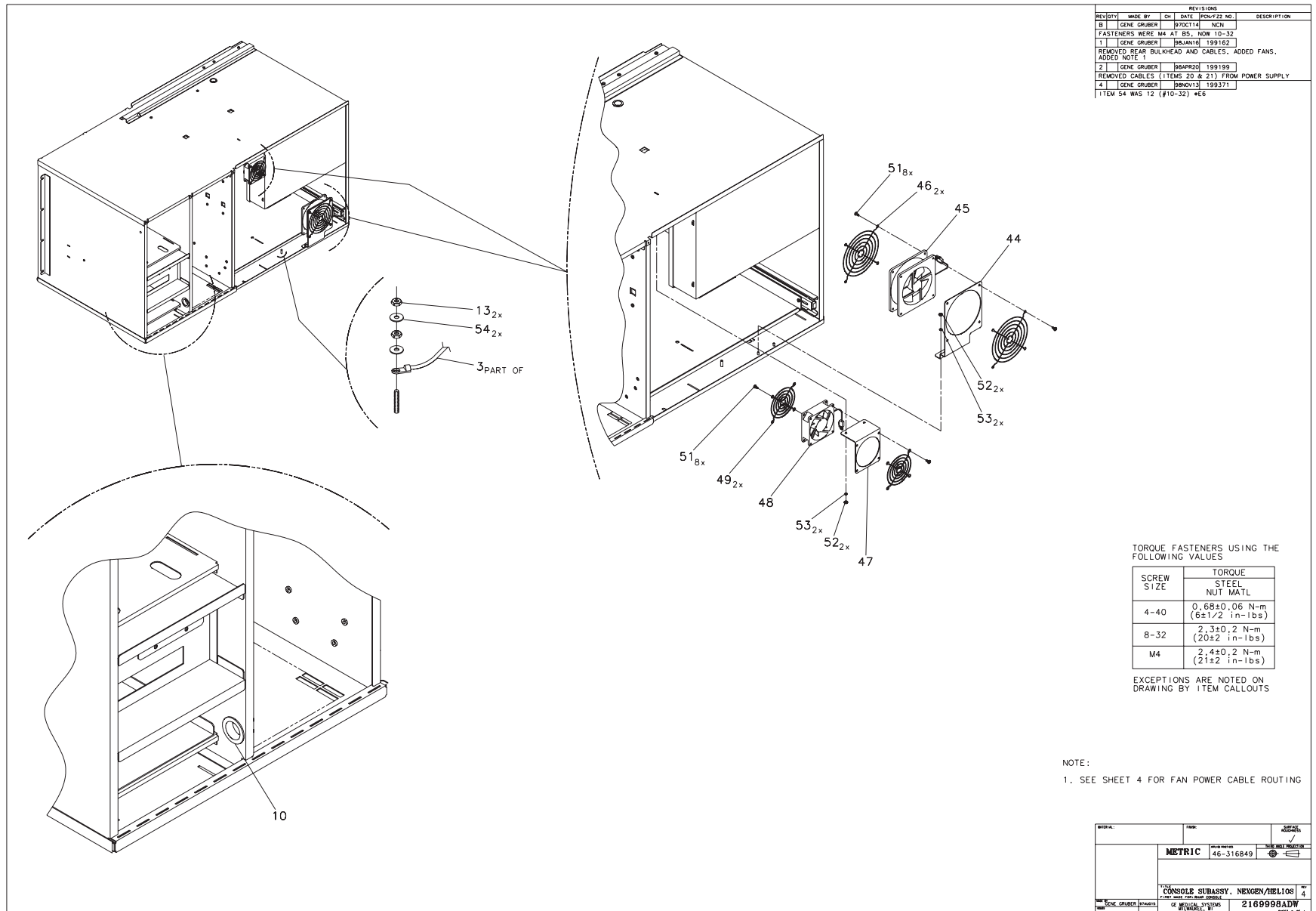


Figure 5-15 Nexgen/Helios Console Sub-Assy (2169998, sheet 2, rev 4)

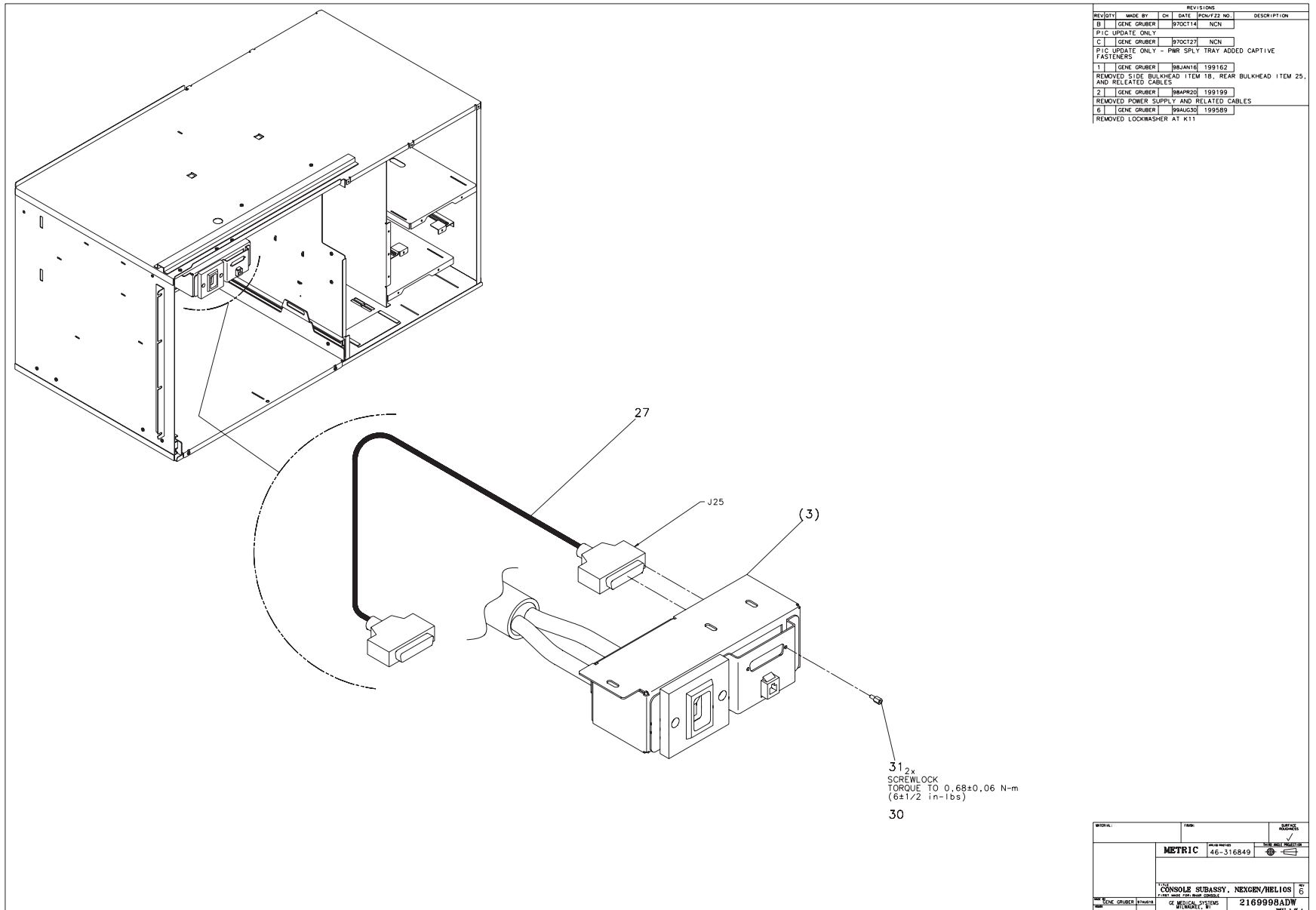


Figure 5-16 Nexgen/Helios Console Sub-Assy (2169998, sheet 3, rev 6)

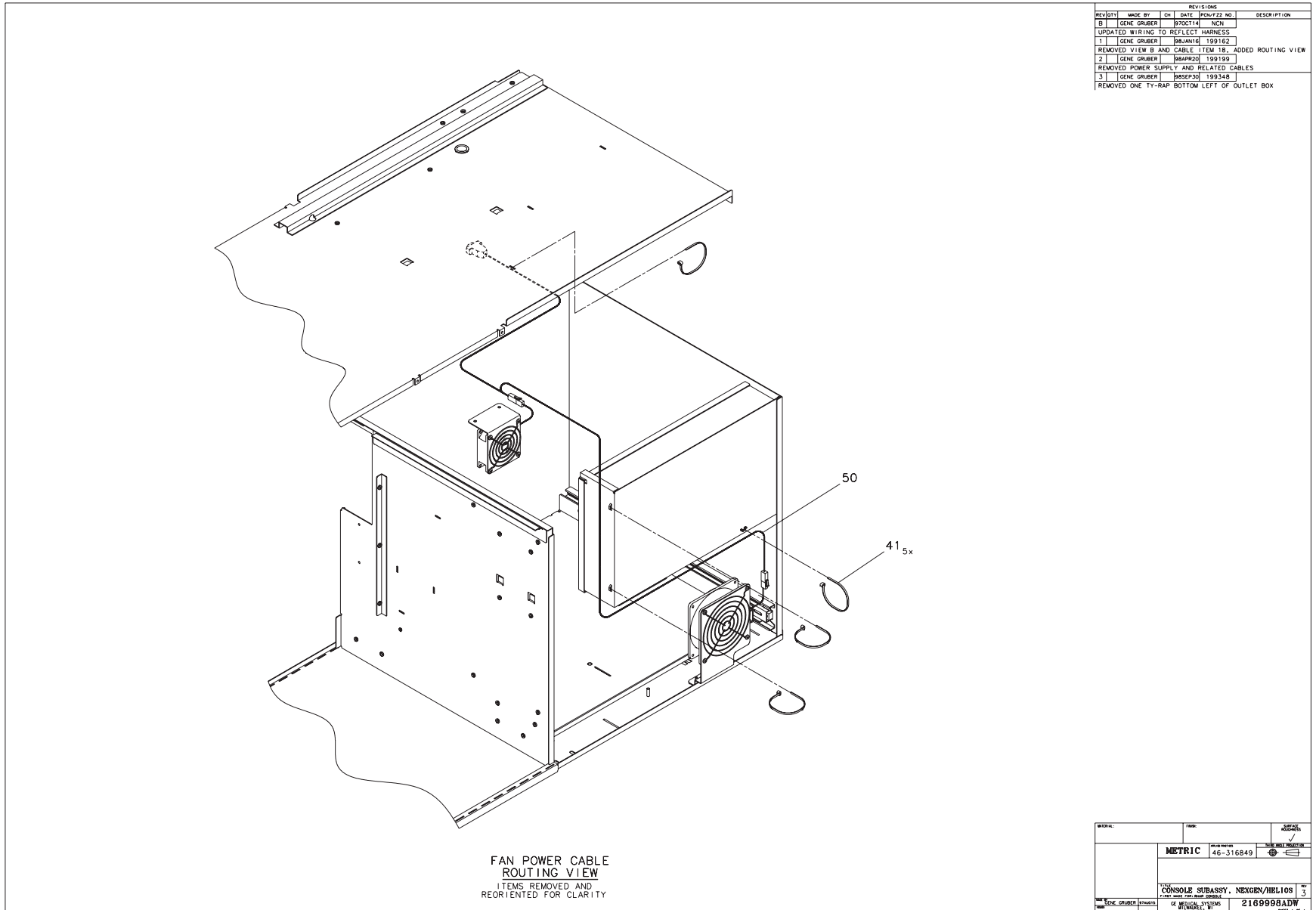


Figure 5-17 Nexgen/Helios Console Sub-Assy (2169998, sheet 4, rev 3)

MARK	NUMBER	QTY	FRU	DESCRIPTION/NAME
4	2169593	1.000	Yes	CR RHAPSODE MONITOR TABLE
10	46-208695P73	1.000	Yes	HEYCO PART NO. 2198 SB-12
27	2191429	1.000	Yes	NEXGEN CABLE FROM COMPUTE
28	2169593-2	1.000	Yes	CR RHAPSODE KEYBOARD TABL
30	46-170686P3	AR	Yes	LOCTITE 242, 50CC
38	2150525	2.000	Yes	CT RHAPSODE DOLLY
45	2141473	1.000	Yes	12VDC FAN WITH CONNECTOR
46	46-403307P1	2.000	Yes	FAN ACCESSORIES FINGER GU
48	2196381	1.000	Yes	FAN AND CONNECTOR
49	2196974	2.000	Yes	FAN ACCESSORIES FINGER GU
50	2208553	1.000	Yes	FAN POWER EXTENSION CABLE
1	2169588	1.000	No	NEXGEN/HELIOS CABINET ASSEMBLY {For further detail, see Section 1.3.1 , beginning on page 434.}
2	2170651	1.000	No	NEXGEN/HELIOS CONSOLE CHA
3	2174159	1.000	No	OUTLET BOX ASSEMBLY {For further detail, see Section 1.3.2 , beginning on page 438.}
5	46-170015P38	12.000	No	SCREW
9	12-275	12.000	No	WASHER, ID .2656, OD.75,
12	46-220205P11	12.000	No	#10 .219 ID, .500 O.D. .0
13	46-170012P40	2.000	No	1/4-20 HEX 7/16 NUT THK
14	46-328431P1	5.000	No	WASHER PLAIN - LARGE 4.3 MM 12 MM
31	46-221417P5	1.000	No	FEMALE SCREWLOCKS FOR HD
32	2103585	5.000	No	SCREW PAN HEAD 4 MM 8 MM
33	46-170015P6	12.000	No	SCREW
34	2169998TST	1.000	No	NEXGEN/HELIOS CONSOLE SUB
36	46-170498P48	4.000	No	SCREW
37	46-220205P2	4.000	No	ID 0.375 OD 0.875 THK
39	46-208695P62	1.000	No	HEYCO PART NO.2127 SB-87

Table 5-9 Nexgen/Helios Console Sub-Assy (2169998 BOM, rev 6)

MARK	NUMBER	QTY	FRU	DESCRIPTION/NAME
40	46-208695P61	1.000	No	HEYCO PART NO.2126 SB-87
41	46-208758P2	6.000	No	5.5" X .140" SELF-LOCKING
42	2154226	1.000	No	RAPSODE CONSOLE SHIPPING
43	46-170124P2	AR	No	SGL COAT VINYL CLOSED CEL
44	2208538	1.000	No	FAN MOUNTING BRACKET-LOWE
47	2208540	1.000	No	FAN MOUNTING BRACKET-UPPE
51	46-208897P16	16.000	No	SCREW
52	46-328425P1	4.000	No	NUT HEXAGON 4 MM
53	46-328432P2	4.000	No	WASHER LOCK - SPRING 4.1 MM 7.6 MM
54	12-281	2.000	No	ID 0.2813 OD 0.625 THK .
55	2241388	1.000	No	SURFACE RACEWAY 3 FEET

Table 5-9 Nexgen/Helios Console Sub-Assy (2169998 BOM, rev 6) (Continued)

1.3.1 Cabinet Assembly (2169588)

FRU = NO

USED ON:
2169998

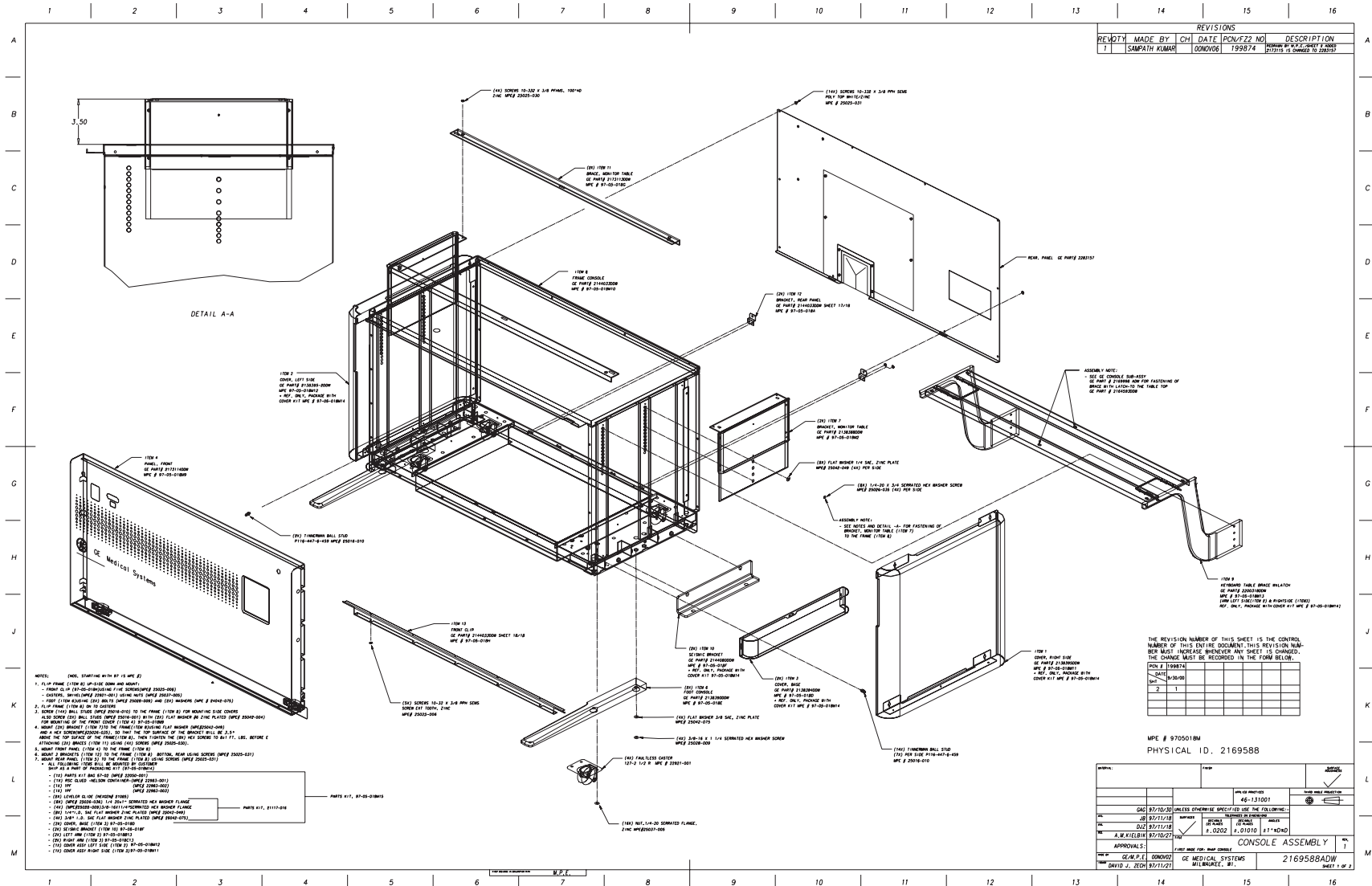


Figure 5-18 Cabinet Assembly (2169588, sheet 1, rev 1)

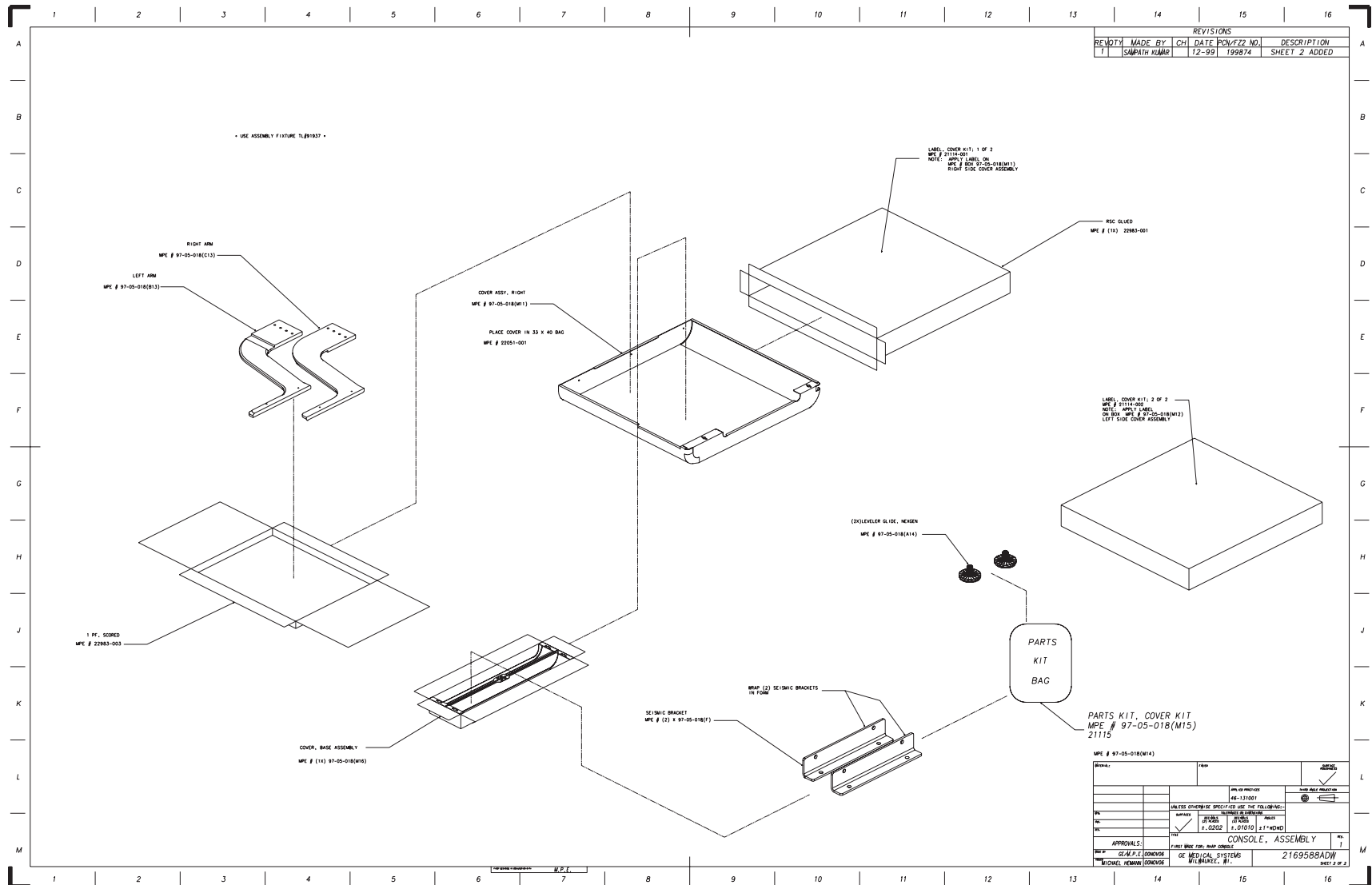


Figure 5-19 Cabinet Assembly (2169588, sheet 2, rev 1)

MARK	NUMBER	QTY	FRU	DESCRIPTION/NAME
1	2138395	1	Yes	RHAPSODE CONSOLE RIGHT SIDE PANEL
2	2138395-2	1	Yes	RHAPSODE CONSOLE LEFT SIDDE PANEL
3	2138394	2	Yes	RHAPSODE CONSOLE LOWER BASE COVER
4	2173114	1	Yes	NEXGEN/HELIOS CONSOLE FRONT
5	2283157	1	No	REAR ACCESS PANEL, CONSOLE
6	2138390	2	Yes	RHAPSODE CONSOLE STABILIZER FOOT
7	2138388	2	Yes	RHAPSODE CONSOLE MONITOR TABLE BRACKET
8	2144033	1	No	RHAPSODE CONSOLE FRAME
9	2200318	1	Yes	KEYBRD TBLTOP BRACE WITH LATCH
10	2144080	2	Yes	RHAPSODE CONSOLE SEISMIC / SHIP BRKT
11	2173113	2	Yes	CR-CT/I MONITOR TABLE TOP BRACE

Table 5-10 Cabinet Assembly (2169588 BOM, rev 1)

This Page Intentionally Blank.

1.3.2 Outlet Box Assembly (2174159)

FRU = NO

USED ON:
2169998

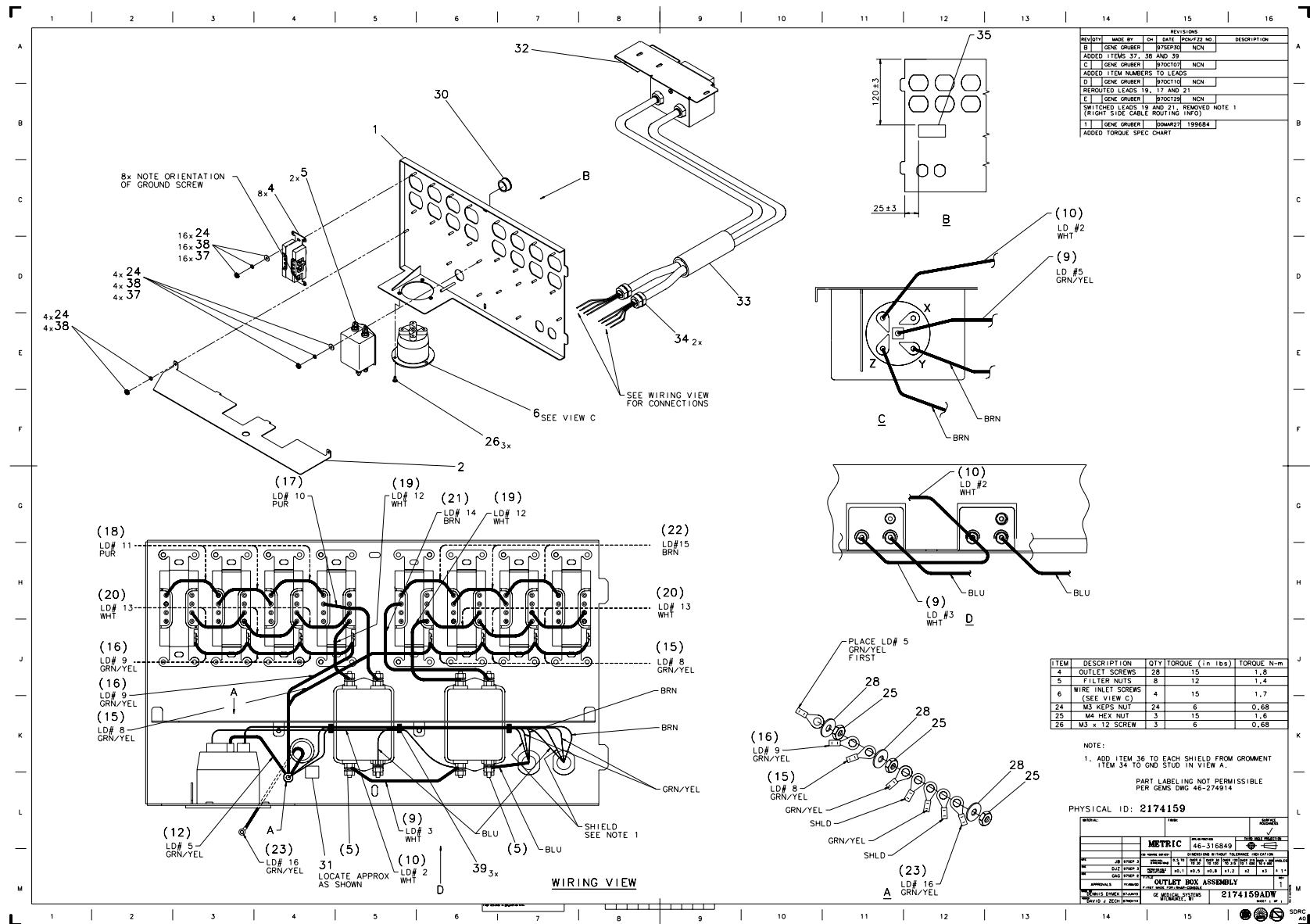


Figure 5-20 Outlet Box Assembly (2174159, sheet 1, rev 1)

MARK	NUMBER	QTY	FRU	DESCRIPTION/NAME
1	2172419	1.000	No	OUTLET BOX COVER
2	2173324	1.000	No	DIVIDER - OUTLET BOX
4	46-278446P1	8.000	Yes	15A, 125VAC, 2 POLE, 3 WI
5	46-297335P3	2.000	Yes	16A, 250V 2-STAGE PWR LIN
6	46-327213P1	1.000	Yes	AMPS 30 VOLTS 120/208 5 W
9	2200241-3	1.000	No	WIRE DATA FOR NEXGEN OUTL
10	2200241-2	1.000	No	WIRE DATA FOR NEXGEN OUTL
12	2200241-5	1.000	No	WIRE DATA FOR NEXGEN OUTL
15	2200241-8	1.000	No	WIRE DATA FOR NEXGEN OUTL
16	2200241-9	1.000	No	WIRE DATA FOR NEXGEN OUTL
17	2200241-10	1.000	No	WIRE DATA FOR NEXGEN OUTL
18	2200241-11	3.000	No	WIRE DATA FOR NEXGEN OUTL
19	2200241-12	2.000	No	WIRE DATA FOR NEXGEN OUTL
20	2200241-13	6.000	No	WIRE DATA FOR NEXGEN OUTL
21	2200241-14	1.000	No	WIRE DATA FOR NEXGEN OUTL
22	2200241-15	3.000	No	WIRE DATA FOR NEXGEN OUTL
23	2200241-16	1.000	No	WIRE DATA FOR NEXGEN OUTL
24	46-328425P10	24.000	No	NUT HEXAGON 3 MM
25	46-328425P1	3.000	No	NUT HEXAGON 4 MM
26	46-312358P30	3.000	No	M3 X 0.5 X 12MM METRIC FR
28	46-328430P2	3.000	No	WASHER PLAIN - NORMAL 4.3
30	46-208695P61	1.000	Yes	HEYCO PART NO.2126 SB-87
31	46-271110P1	1.000	No	LABEL, PROTECTIVE EARTH (
32	2190750	1.000	No	CONSOLE POWER - NEXGEN HE {For further detail, see "Breaker Box Assembly (2190750)," on page 440.}
33	46-313024P5	1.000	No	
34	46-208697P57	2.000	No	HEYCO PART NO.1247 SR-7W
35	2150839	1.000	No	CAUTION RECEPTACLES NOT F
36	46-313024P2	AR	No	
37	46-311804P2	20.000	No	3.2X9X.8 ZP ST DIN
38	46-311805P10	24.000	No	HELICAL LOCK WASHER
39	46-208758P2	3.000	No	5.5" X .140" SELF-LOCKING

Table 5-11 Outlet Box Assembly (2174159 BOM, rev 0)

Breaker Box Assembly (2190750)

FRU = NO

USED ON:
 2174159

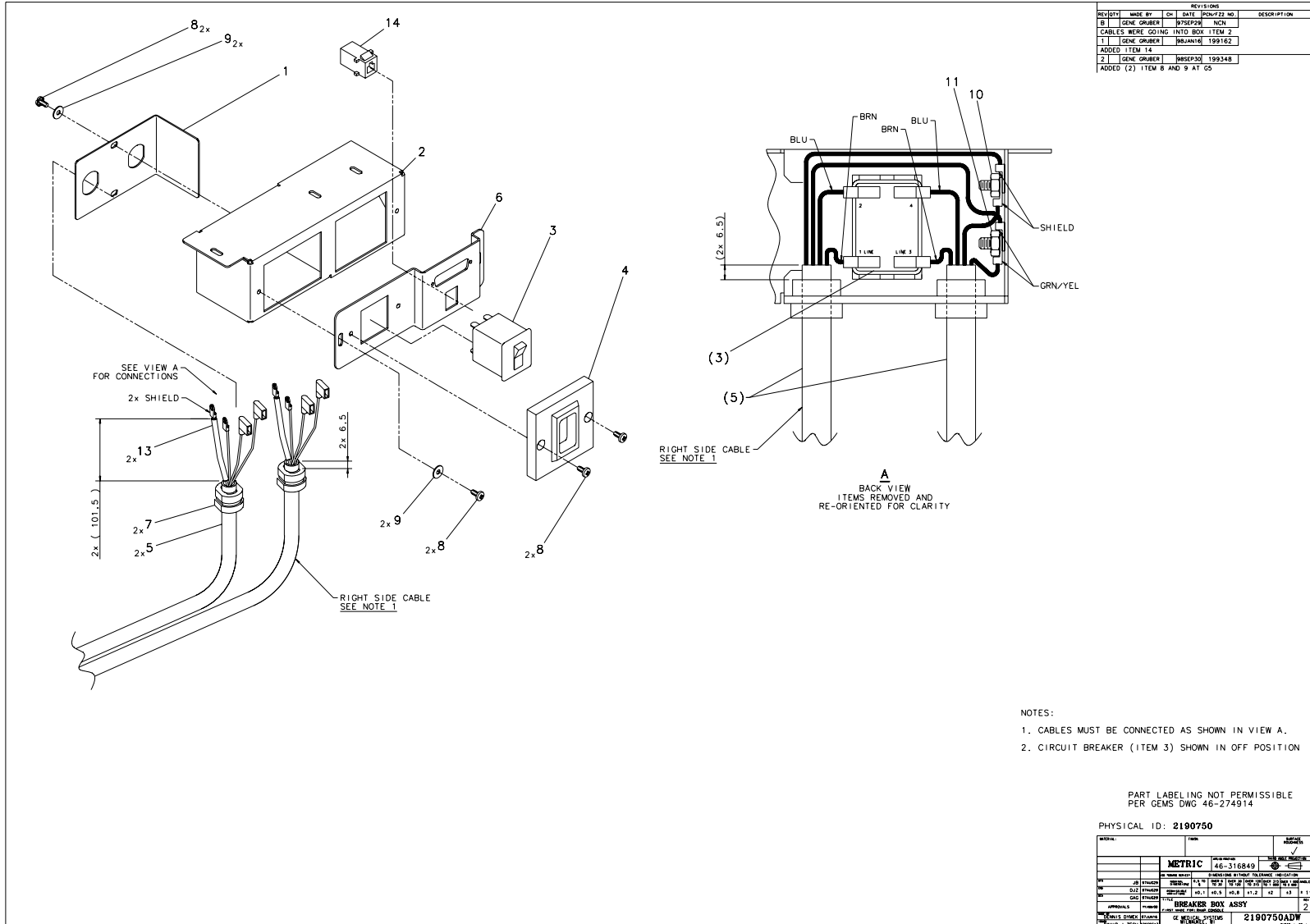


Figure 5-21 Breaker Box Assembly (2190750, Sheet 1, Rev 2)

MARK	NUMBER	QTY	FRU	DESCRIPTION/NAME
3	2150833	1	Yes	BREAKER SWITCH
5	2200242	2	Yes	POWER CABLE FROM OUTLET B
11	46-170012P39	1	Yes	10-32, 3/8" HEX KEPS NUT,
1	2200158	1	No	BREAKER BOX COVER PLATE
2	2200159	1	No	FRONT CIRCUIT BREAKER BOX
4	2150830	1	No	POWER BREAKER BEZEL
6	2190749	1	No	CIRCIUT BREAKER MOUNTING
7	46-208697P57	2	No	HEYCO PART NO.1247 SR-7W
8	46-328430P2	6	No	WASHER PLAIN - NORMAL 4.3
9	2103585	4	No	SCREW PAN HEAD 4 MM 8 MM
10	46-328425P1	1	No	NUT HEXAGON 4 MM
13	46-313024P2	AR	No	
14	2108900	1	No	CONNECTOR 8 CONTACTS 150

Table 5-12 Breaker Box Assembly (2190750 BOM, rev 3)

1.4 Removable Card Cage Assembly (2190506)

FRU = NO

USED ON:
2266832

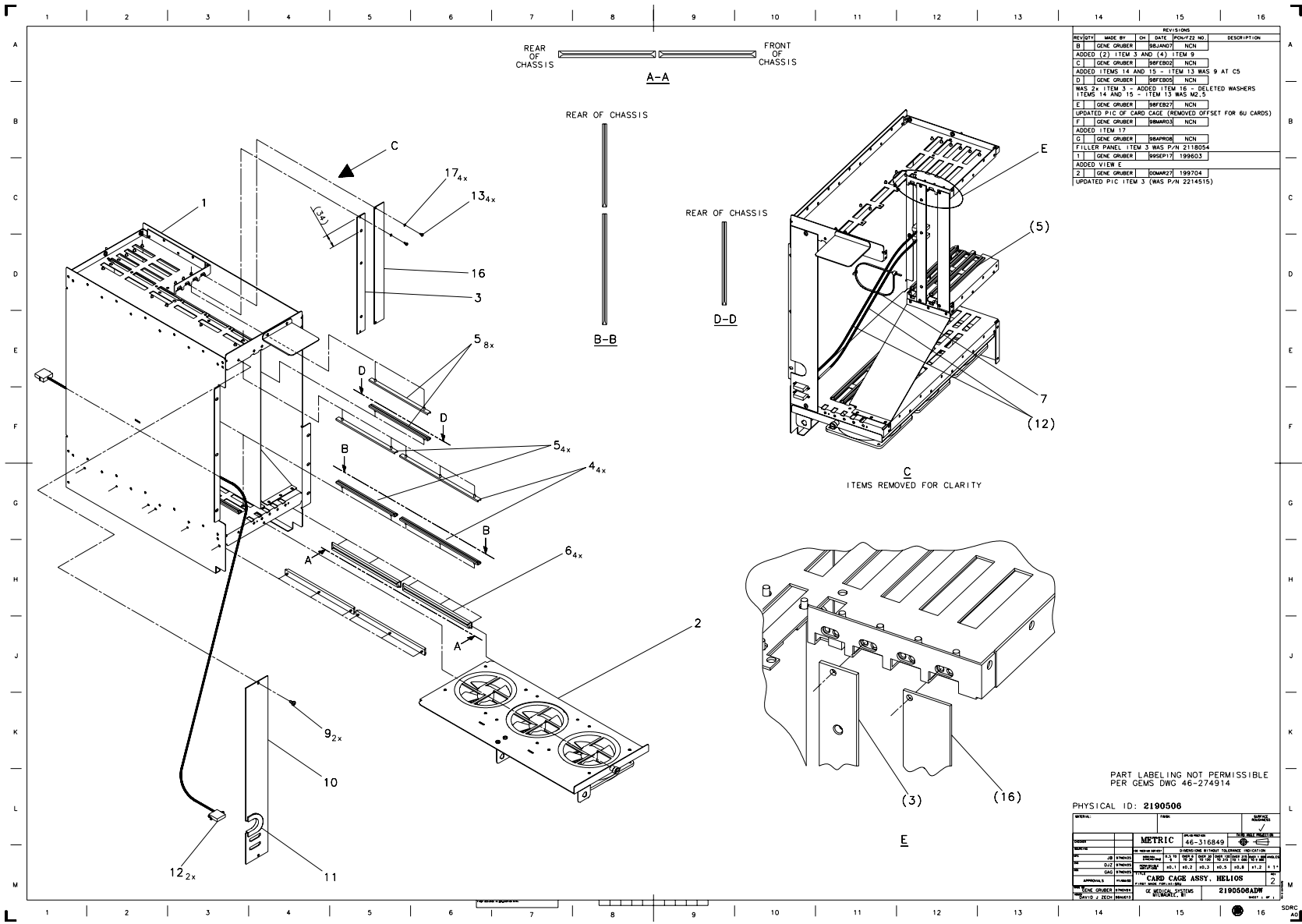


Figure 5-22 Removable Card Cage Assembly (2190506, sheet 1, rev 2)

MARK	NUMBER	QTY	FRU	DESCRIPTION/NAME
4	46-221513P7	4.000	Yes	CLAMP OR CLIP
5	46-221513P3	12.000	Yes	CLAMP OR CLIP
6	46-296128P2	4.000	Yes	CARD GUIDE_9U
12	2141472	2.000	Yes	DRIVE POWER EXTENSION
1	2190507	1.000	No	REMOVEABLE CARD CAGE - HE
2	2190504	1.000	No	REM CARD CAGE FAN ASSY-NE {For further detail, see "NexGen Fan Assembly (2190504)," on page 444.}
3	2214515-2	1.000	No	FILLER PANEL - HELIOS CAR
7	46-208758P2	1.000	No	5.5" X .140" SELF-LOCKING
9	2103585	2.000	No	SCREW PAN HEAD 4 MM 8 MM
10	2141475	1.000	No	RHAP CONSOLE VME FILLER P
11	46-220178P10	AR	No	GROMMET
13	46-328421P5	4.000	No	SCREW PAN HEAD 2.5 MM 8 M
16	2210165	1.000	No	FILLER PANEL - HELIOS CAR
17	46-328432P1	4.000	No	WASHER LOCK - SPRING 2.6 MM 5.1 MM

Table 5-13 Removable Card Cage Assembly (2190506 BOM, rev 1)

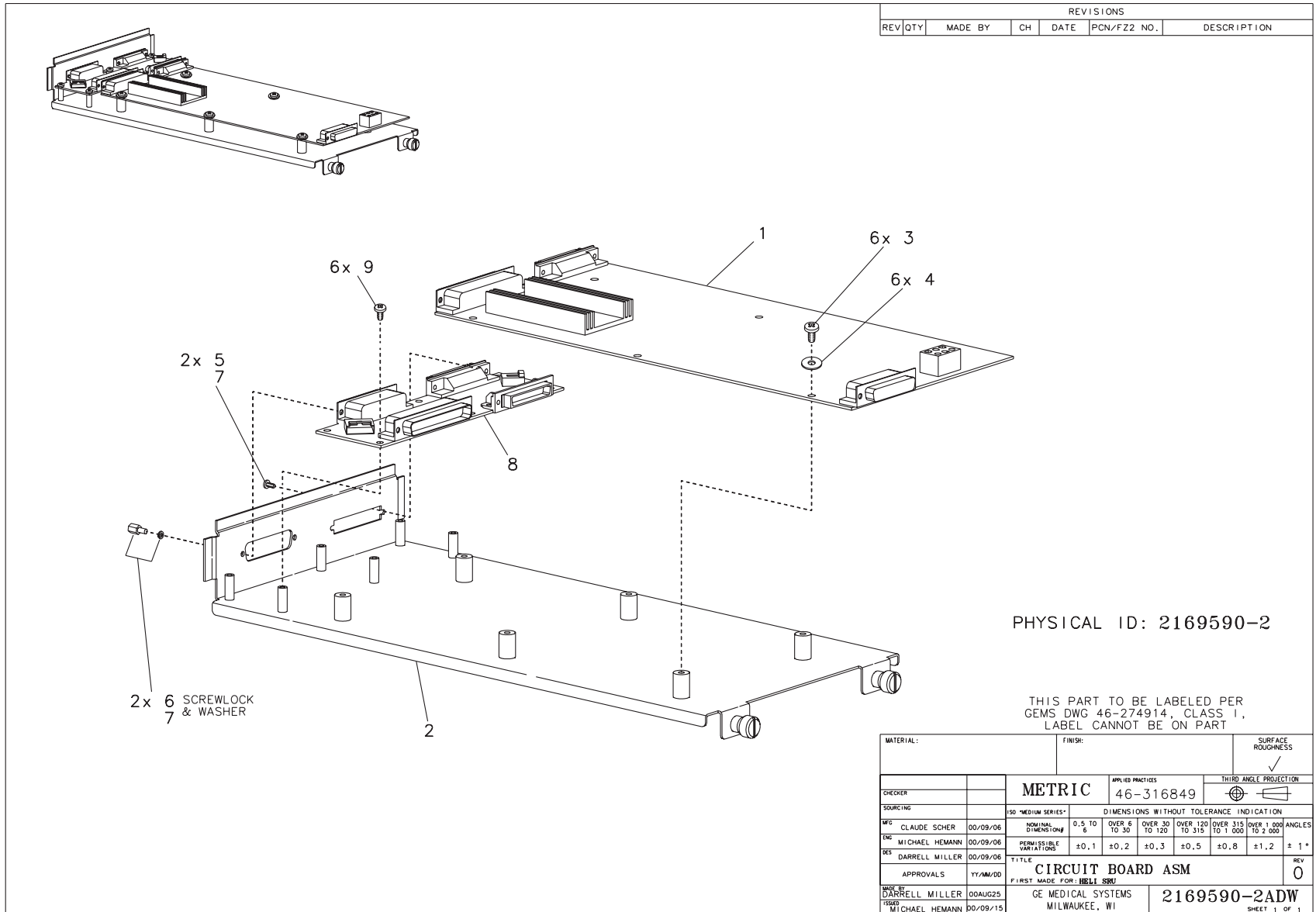
MARK	NUMBER	QTY	FRU	DESCRIPTION/NAME
2	2141473	3	Yes	12VDC FAN WITH CONNECTOR
7	2141467	1	Yes	FAN DISTRIBUTION
11	46-403307P1	3	Yes	FAN ACCESSORIES FINGER GU
1	2190512	1	No	FAN MOUNTING BRACKET-REM
3	2140987	1	No	CONSOLE,3 CONNECTOR FAN B
4	2140988	1	No	CONSOLE,SINGLE CONN. BRKT
5	46-208897P16	24	No	SCREW
6	2103585	4	No	SCREW PAN HEAD 4 MM 8 MM
9	46-208758P2	2	No	5.5" X .140" SELF-LOCKING

Table 5-14 NexGen Fan Assembly (2190504 BOM, rev 1)

1.5 CR Intercom/Prescribed Tilt Circuit (2169590-2)

FRU = NO

USED ON:
 2266832



PHYSICAL ID: 2169590-2

THIS PART TO BE LABELED PER
 GEMS DWG 46-274914, CLASS 1,
 LABEL CANNOT BE ON PART

MATERIAL:		FINISH:		SURFACE ROUGHNESS				
CHECKER:		APPROVALS:		THIRD ANGLE PROJECTION				
SOURCING:		46-316849						
ISO "MEDIUM SERIES"		DIMENSIONS WITHOUT TOLERANCE INDICATION						
NOMINAL DIMENSIONS*		0.5 TO 6	OVER 6 TO 30	OVER 30 TO 120	OVER 120 TO 315	OVER 315 TO 1 000	OVER 1 000 TO 2 000	ANGLES TO 2 000
PERMISSIBLE VARIATIONS		±0.1	±0.2	±0.3	±0.5	±0.8	±1.2	± 1°
APPROVALS		TITLE		REV				
DARRELL MILLER 00AUG05		CIRCUIT BOARD ASM		0				
MICHAEL HEMANN 00/09/15		FIRST MADE FOR: HELL SRU		2169590-2ADW				
		GE MEDICAL SYSTEMS MILWAUKEE, WI		SHEET 1 OF 1				

Figure 5-24 CR Intercom/Prescribed Tilt Circuit (2169590-2, sheet 1, rev 0)

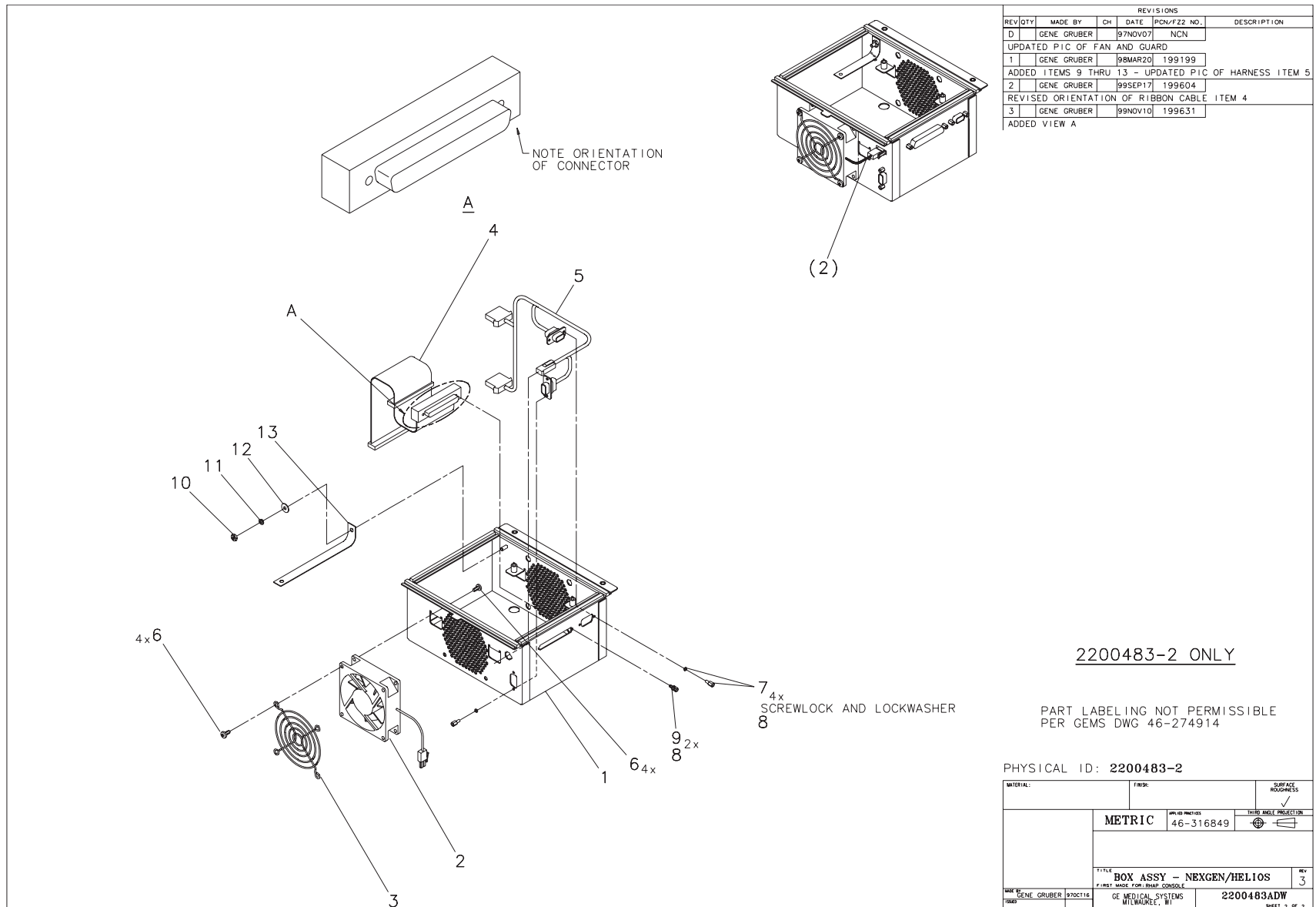
MARK	NUMBER	QTY	FRU	DESCRIPTION/NAME
1	2167014	1.000	Yes	RHAPSODE INTERCOM
3	46-208560P48	6.000	Yes	SCREW
4	1000904P279	6.000	Yes	ID 0.1910 OD 0.3125 THK .
6	46-221417P5	1.000	Yes	FEMALE SCREWLOCKS FOR HD
8	2269601	1.000	Yes	PRESCRIBED TILT BOARD
9	46-170015P41	6.000	Yes	SCREW
2	2268979	1.000	No	BRACKET - CIRCUIT BOARD M
5	46-287187P4	2.000	No	
7	46-170686P3	AR	No	LOCTITE 242, 50CC

Table 5-15 CR Intercom/Prescribed Tilt Circuit (2169590-2 BOM, rev 0)

1.6 Box Assy - Fan and Cables (2200483-2)

FRU = NO

USED ON:
 2266832



REVISIONS						
REV/DTY	MADE BY	CH	DATE	PCN/FZZ NO.	DESCRIPTION	
D	GENE GRUBER		97NOV07	NCN		
UPDATED PIC OF FAN AND GUARD						
1	GENE GRUBER		98MAR20	199199		
ADDED ITEMS 9 THRU 13 - UPDATED PIC OF HARNESS ITEM 5						
2	GENE GRUBER		99SEP17	199604		
REVISED ORIENTATION OF RIBBON CABLE ITEM 4						
3	GENE GRUBER		99NOV10	199631		
ADDED VIEW A						

2200483-2 ONLY

PART LABELING NOT PERMISSIBLE
 PER GEMS DWG 46-274914

PHYSICAL ID: 2200483-2

MATERIAL:	FINISH:	SURFACE ROUGHNESS	
		<input checked="" type="checkbox"/> 125 <input type="checkbox"/> 63 <input type="checkbox"/> 32 <input type="checkbox"/> 16 <input type="checkbox"/> 8 <input type="checkbox"/> 4 <input type="checkbox"/> 2 <input type="checkbox"/> 1 <input type="checkbox"/> 0.5 <input type="checkbox"/> 0.25 <input type="checkbox"/> 0.125 <input type="checkbox"/> 0.063 <input type="checkbox"/> 0.032 <input type="checkbox"/> 0.016 <input type="checkbox"/> 0.008 <input type="checkbox"/> 0.004 <input type="checkbox"/> 0.002 <input type="checkbox"/> 0.001	
METRIC		ASME Y14.5M	DATE MILL PROJECTION
		46-316849	<input checked="" type="checkbox"/> 1 <input type="checkbox"/> 2 <input type="checkbox"/> 3
TITLE BOX ASSY - NEXGEN/HELIOS			
REV 3			
DATE	BY	DESCRIPTION	QTY
090211	GENE GRUBER	GE MEDICAL SYSTEMS MILWAUKEE, WI	2200483ADW
			SHEET 2 OF 2

Figure 5-25 Box Assy - Fan and Cables (2200483-2, sheet 2, rev 3)

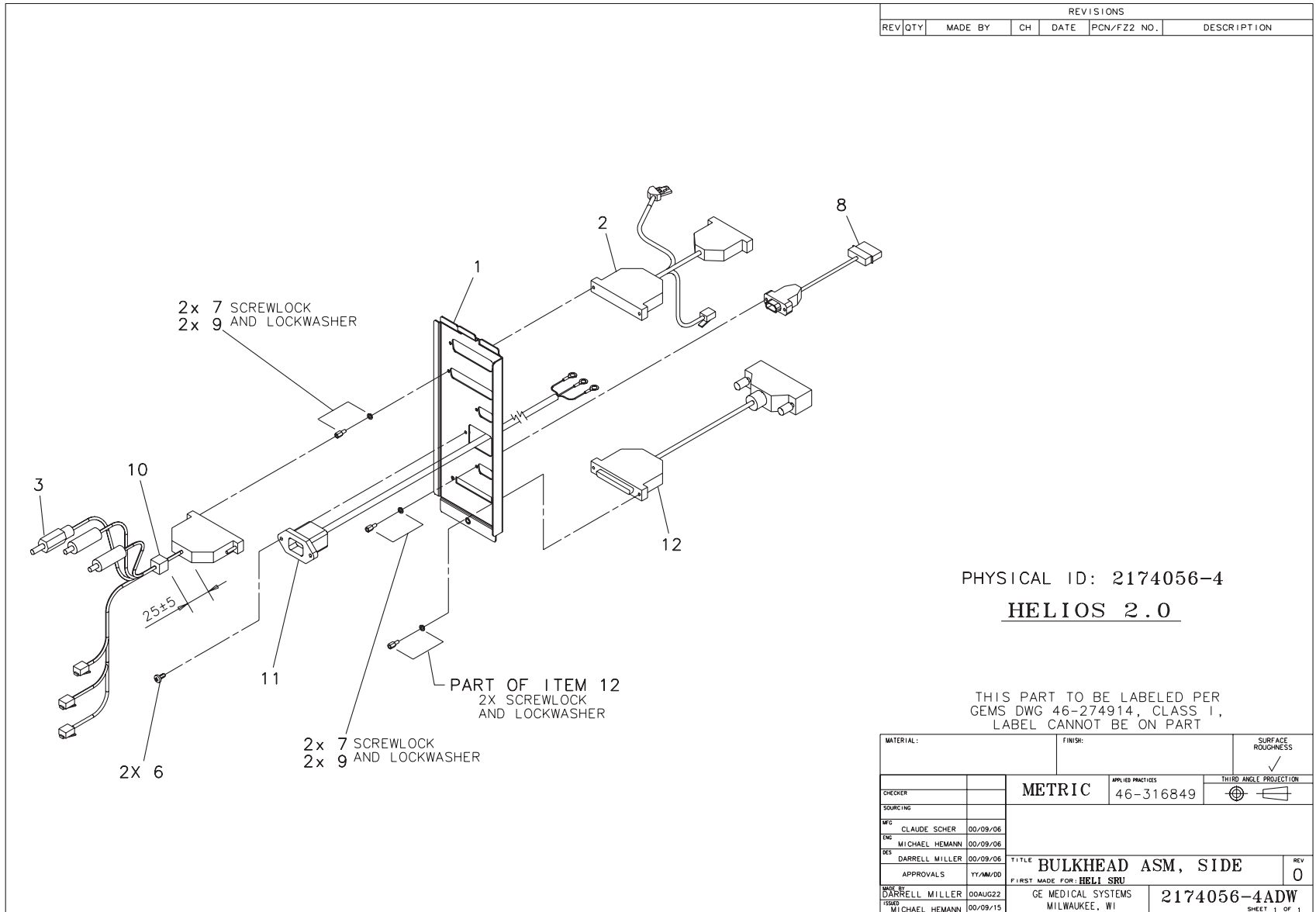
MARK	NUMBER	QTY	FRU	DESCRIPTION/NAME
2	2196381	1.000	Yes	FAN AND CONNECTOR
3	2196974	1.000	Yes	FAN ACCESSORIES FINGER GU
4	2174107	1.000	Yes	HELIOS HARD DR BOX TO HAR
5	2191458	1.000	Yes	NEXGEN HARNESS FROM HARD
1	2190536-2	1.000	No	HARD DRIVE ENCLOSURE HELI
6	46-208897P18	6.000	No	SCREW
7	46-221417P4	2.000	No	FEMALE SCREWLOCKS FOR HD
8	46-170686P3	AR	No	LOCTITE 242, 50CC
9	46-208560P53	2.000	No	SCREW
10	46-328425P1	1.000	No	NUT HEXAGON 4 MM
11	46-328432P2	1.000	No	WASHER LOCK - SPRING 4.1 MM 7.6 MM
12	46-328431P1	1.000	No	WASHER PLAIN - LARGE 4.3 MM 12 MM
13	2213190	1.000	No	HARD DRIVE BOX GROUND STR

Table 5-16 Box Assy - Fan and Cables (2200483-2 BOM, rev 0)

1.7 Side Bulkhead Assy (2174056-4)

FRU = NO

USED ON:
 2266832



REVISIONS						
REV	QTY	MADE BY	CH	DATE	PCN/FZ2 NO.	DESCRIPTION

PHYSICAL ID: 2174056-4
HELIOS 2.0

THIS PART TO BE LABELED PER
 GEMS DWG 46-274914, CLASS 1,
 LABEL CANNOT BE ON PART

MATERIAL:		FINISH:		SURFACE ROUGHNESS	
CHECKER:		METRIC		APL ID PRACTICES	
SOURCING:		46-316849		THIRD ANGLE PROJECTION	
MFG	CLAUDE SCHER	00/09/06			
ENG	MICHAEL HEMANN	00/09/06			
DES	DARRELL MILLER	00/09/06	TITLE BULKHEAD ASM, SIDE		
APPROVALS	YY/MM/00	FIRST MADE FOR: HELI SRU			REV 0
MADE BY	DARRELL MILLER	00AUG22	GE MEDICAL SYSTEMS		2174056-4ADW
ISSUED	MICHAEL HEMANN	00/09/15	MILWAUKEE, WI		
					SHEET 1 OF 1

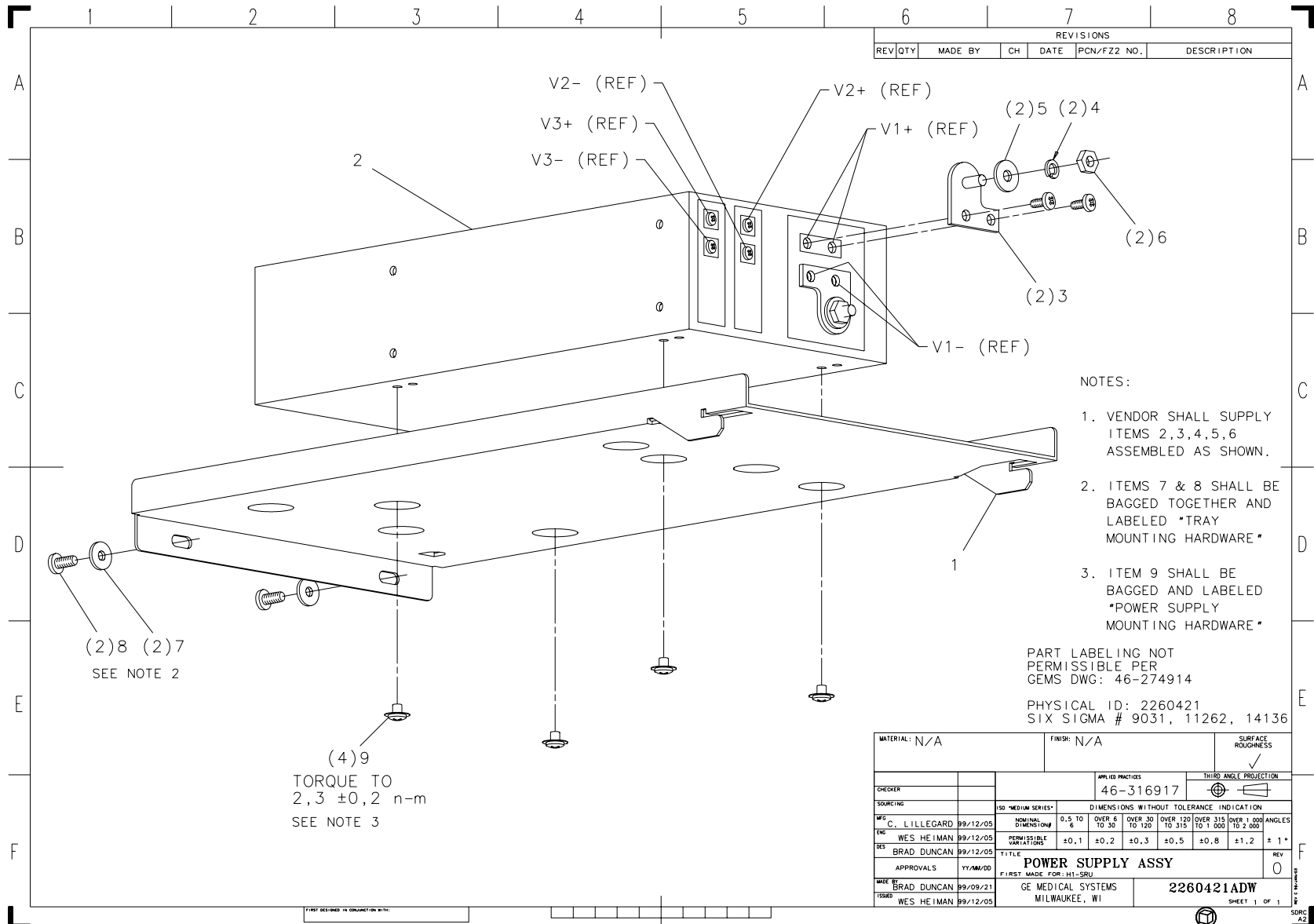
Figure 5-26 Bulkhead Asm, Side (2174056-4, sheet 1, rev 0)

MARK	NUMBER	QTY	FRU	DESCRIPTION/NAME
2	2269875	1.000	Yes	CABLE-H2 S/BLK TO RIP BD,
3	2269874	1.000	Yes	CABLE-H2 OCTOPUS
8	2191450	1.000	Yes	NEXGEN HARNESS FROM POWER
11	2142224	1.000	Yes	VME POWER SUPPLY TO RECEP
12	2256483-2	1.000	Yes	SCSI CABLE, S/BLKHD TO PP
1	2174374-3	1.000	No	SIDE BULKHEAD HELIOS_1.2
6	46-316540P3	2.000	No	SCREW PAN HEAD 3 MM 10 MM
7	46-221417P4	2.000	No	FEMALE SCREWLOCKS FOR HD
9	46-170686P3	AR	No	LOCTITE 242, 50CC
10	2107112	1.000	No	FERRITX2 ASSEMBL+ENV NYLO

Table 5-17 Side Bulkhead Assy - Helios 2 (2174056-4 BOM, rev 1)

1.8 VME Console Power Supply Assembly (2260421)

FRU = YES



- NOTES:
1. VENDOR SHALL SUPPLY ITEMS 2,3,4,5,6 ASSEMBLED AS SHOWN.
 2. ITEMS 7 & 8 SHALL BE BAGGED TOGETHER AND LABELED "TRAY MOUNTING HARDWARE"
 3. ITEM 9 SHALL BE BAGGED AND LABELED "POWER SUPPLY MOUNTING HARDWARE"

PART LABELING NOT PERMISSIBLE PER GEMS DWG: 46-274914
PHYSICAL ID: 2260421
SIX SIGMA # 9031, 11262, 14136

MATERIAL: N/A		FINISH: N/A		SURFACE ROUGHNESS	
CHECKER		APPLIED PRACTICES		THIRD ANGLE PROJECTION	
SOURCING		46-316917		✓	
ISO "MEDIUM SERIES"		DIMENSIONS WITHOUT TOLERANCE INDICATION			
NOMINAL DIMENSIONS		0.5 TO 6	OVER 6 TO 30	OVER 30 TO 120	OVER 120 TO 315
PERMISSIBLE VARIATIONS		±0.1	±0.2	±0.3	±0.5
ANGLES		OVER 1,000	OVER 1,000	OVER 1,000	OVER 1,000
PERMISSIBLE VARIATIONS		±1.2	±1.2	±1.2	±1.2
TITLE		POWER SUPPLY ASSY			
APPROVALS		YY/MM/00		REV 0	
FIRST MADE FOR: H1-SRU		GE MEDICAL SYSTEMS MILWAUKEE, WI		2260421ADW	
DATE 99/09/21		DATE 99/09/21		SHEET 1 OF 1	
DESIGNED BY WES HEIMAN 99/12/05		DRAWN BY WES HEIMAN 99/12/05			

Figure 5-27 VME Console Power Supply Assembly (2260421, sheet 1, rev 0)

MARK	NUMBER	QTY	FRU	DESCRIPTION/NAME
1	2255666	1.000	No	POWER SUPPLY TRAY NEXGEN/
2	2255986	1.000	No	POWER SUPPLY, MODULAR,600
3	2255660	2.000	No	5V POWER SUPPLY ADAPTER
4	46-220181P5	2.000	No	WASHER #10 (.190) SCREW S
5	12-276	2.000	No	ID 0.2040 OD 0.5630 THK .
6	46-208941P9	2.000	No	00010-32 .375 HEX X .124
7	12-277	2.000	No	WASHER, FLAT
8	2103585-2	2.000	No	SCREW PAN HEAD 4 MM 10 MM
9	46-170015P8	4.000	No	SCREW

Table 5-18 VME Console Power Supply Assembly (2260421 BOM, rev 0)

Section 2.0 — Console Display Monitors

MARK	NUMBER	QTY	FRU	DESCRIPTION/NAME
1A	2189192	2	Yes	PHILIPS 20 INCH MONITOR FOR LIGHTSPEED
1B	2244724	2	Yes	SONY GDM-500PS 21" COLOR MONITOR (RGB INPUTS)
1C	2254212	2	Yes	SONY GDM-5402T9 21" COLOR MONITOR (DB15 INPUT)

Table 5-19 Console Display Monitors

Section 3.0 — Global Modem (2264588)

MARK	NUMBER	QTY	FRU	DESCRIPTION/NAME
1	2245794	1.000	Yes	GLOBAL MODEM KIT
3	46-302200P3	1.000	Yes	MODIFIED BY KIT, SERIAL #
4	2142226	1.000	Yes	POWER CORD FOR EMC AREA
2	2262950-100	1.000	No	MULTI-TECH MT5634 MODEM U

Table 5-20 Global Modem (2264588 BOM, rev 0)

Section 4.0 — DASMs

MARK	NUMBER	QTY	FRU	DESCRIPTION/NAME
1A	2249894	1	Yes	Analog DASM
1B	2249895	1	Yes	Digital DASM

Table 5-21 DASMs

Section 5.0 — Keyboard w/SCIM Collector (2275758)

MARK	NUMBER	QTY	FRU	DESCRIPTION/NAME
1	2275756	1.000	Yes	KEYBOARD, NORTH AMERICAN {For further detail, see Section 5.2 , beginning on page 456 .}
3	2275752	1.000	Yes	SCIM COLLECTOR - ENGLISH {For further detail, see “ SCIM Collector (2275752) ,” below.}
4	2262158-9	1.000	Yes	CABLE, 50 PIN SCIM KEYBOARD
2	2275757	1.000	No	FUNCTION KEY TEMPLATE - E
5	2275872-100	1.000	No	SCAN CONTROL/INTERCOM MOD

Table 5-22 Keyboard w/SCIM Collector (2275758 BOM, rev 0)

5.1 SCIM Collector (2275752)

FRU = YES

MARK	NUMBER	QTY	FRU	DESCRIPTION/NAME
1	2262158	1.000	No	SCAN CONTROL INTERCOM MOD
2	2262158-11	1.000	No	OVERLAY, SCIM CT, TILT -
3	2262158-21	1.000	No	OVERLAY, SCIM CT, NO TILT

Table 5-23 SCIM Collector - English (2275752 BOM, rev 0)

5.2 Keyboard Assembly



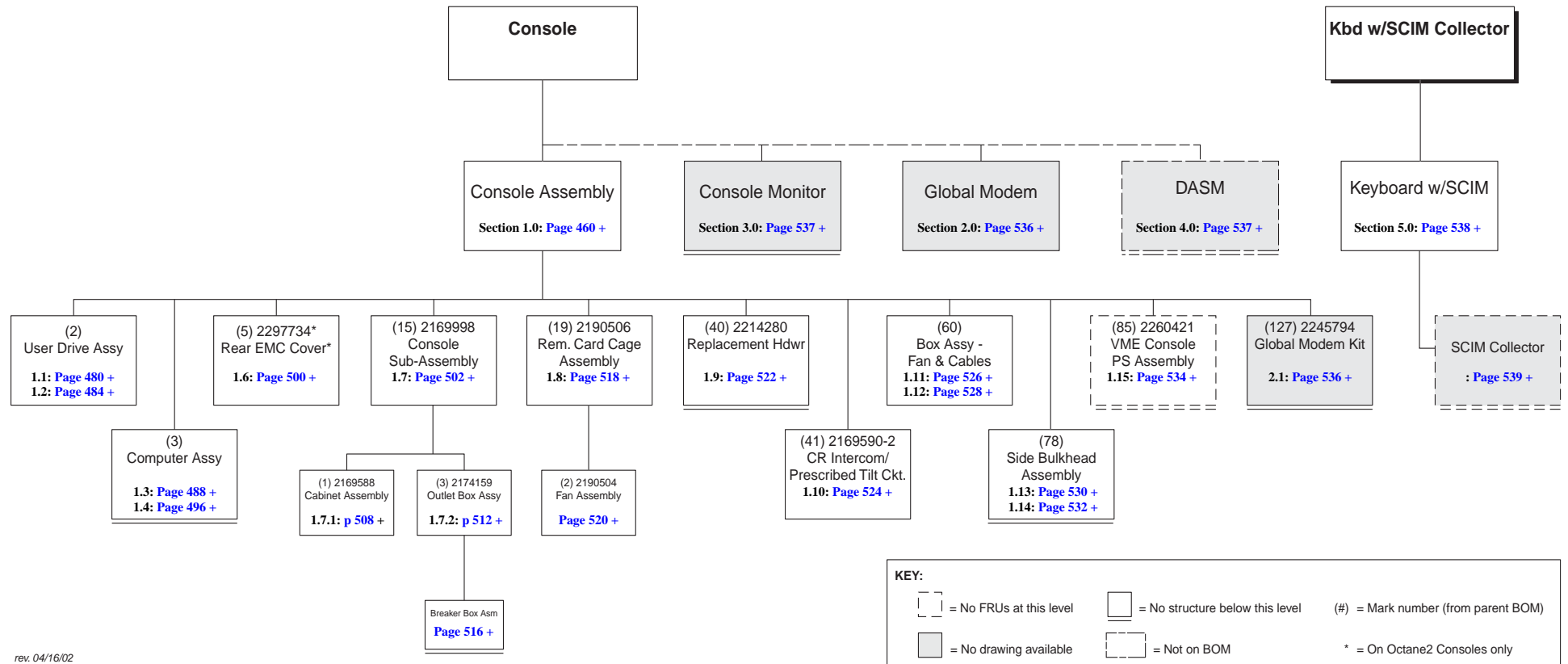
Figure 5-28 Keyboard Assembly (Rev 10/27/99)

Chapter 6

Console w/PEG-IG

Note: LightSpeed 2.X CT scanners may use any one of four Operator's Consoles. These include:

- **H2 Console without PEG-IG** - See Chapter 5
- **H2 Console with PEG-IG** - See *This* Chapter.
- **GOC3 (a.k.a GRE Xtream)** - See the *GOC3 Illustrated Parts List*, Direction 2394950-100. It is available for order in paper, or may be found as a PDF on the *GOC3 Installation & Service Info* CD-ROM (2384451-200) that came with the GRE Console. The PDF may also be found on GE's Common Documentation Library.
- **GOC4 (a.k.a GRE Xtream)** - See the *GOC4 Illustrated Parts List*, Direction 5134893-100. It is available for order in paper, or may be found as a PDF on the *GOC4 Installation & Service Info* CD-ROM (5134894-200) that came with the GRE Console. The PDF may also be found on GE's Common Documentation Library.



rev. 04/16/02

Figure 6-1 Console w/PEG-IG BOM Tree

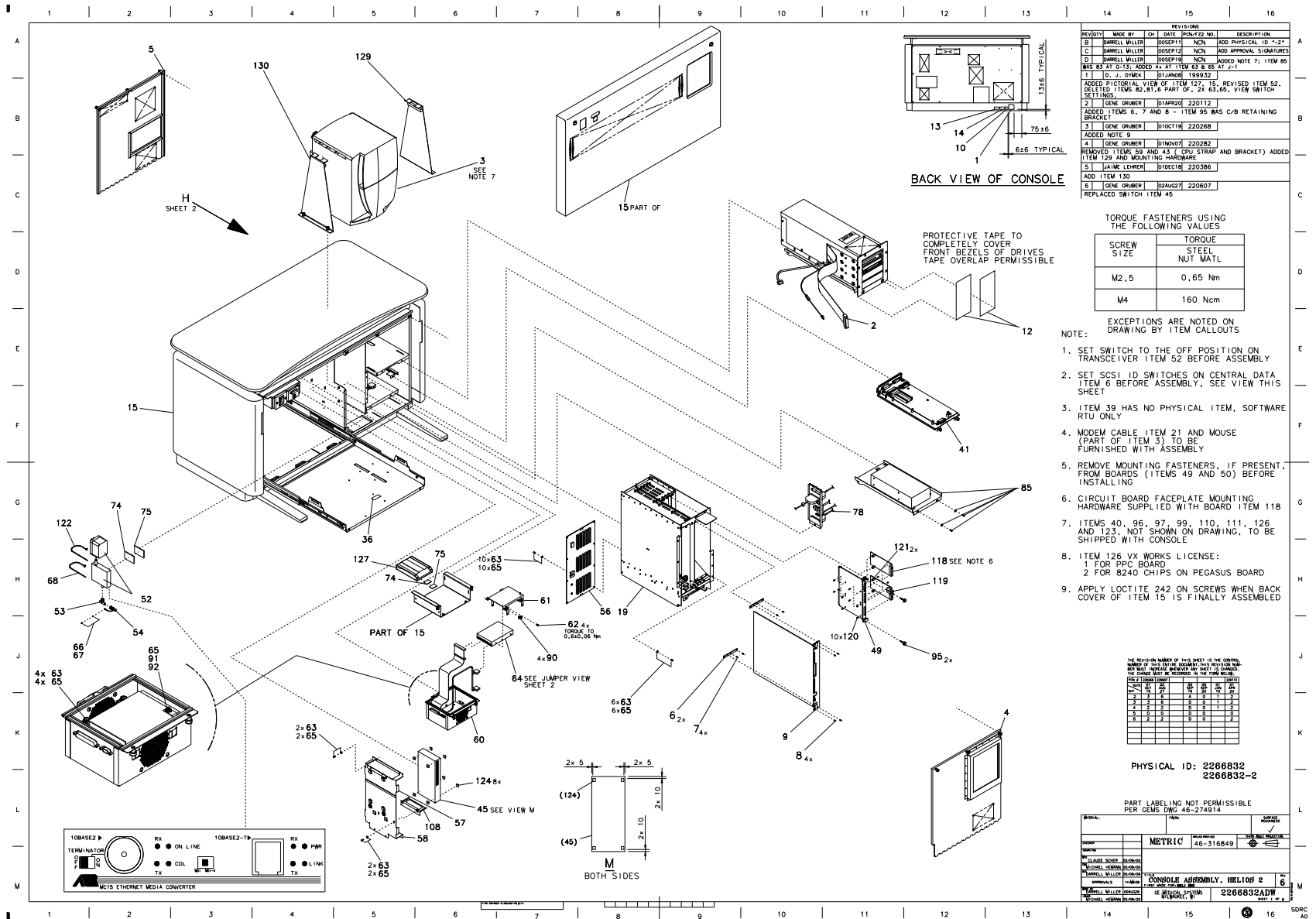
MARK	NUMBER	QTY	FRU	DESCRIPTION/NAME
1A	2266832*	1.000	No	CONSOLE ASSY - H2 {For further detail, see Section 1.0 , beginning on page 460 .}
1B	2304732**	ALT	No	CONSOLE ASSY - H2, OCTANE II {For further detail, see Section 1.0 , beginning on page 460 .}
2A	2254212	2.000	Yes	SONY GDM-5402T9 21" COLOR {For further detail, see Section 3.1 , beginning on page 537 .}
2B	2309592	ALT		LCD MONITOR & CABLE {For further detail, see Section 3.2 , beginning on page 537 .}
3	2264588	1.000	No	GLOBAL MODEM {For further detail, see Section 2.0 , beginning on page 536 .}

* Dual Processor Console (B7850ND) uses console assembly 2266832-2.

** Dual Processor Octane2 Console uses console assembly 2304732-2.

Table 6-1 Console w/Monitor

Section 1.0 — Console Assembly (2266832, 2304732)



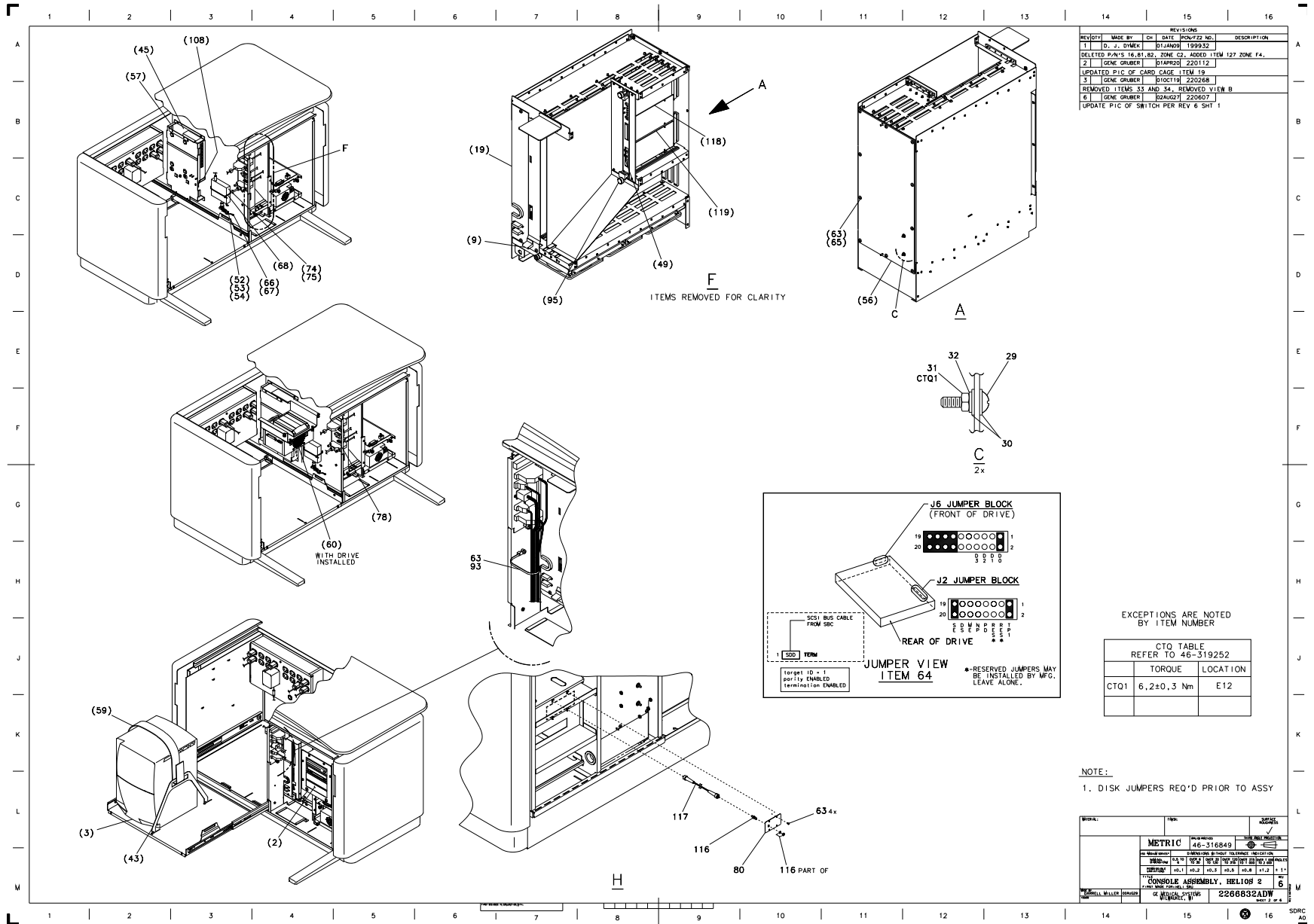
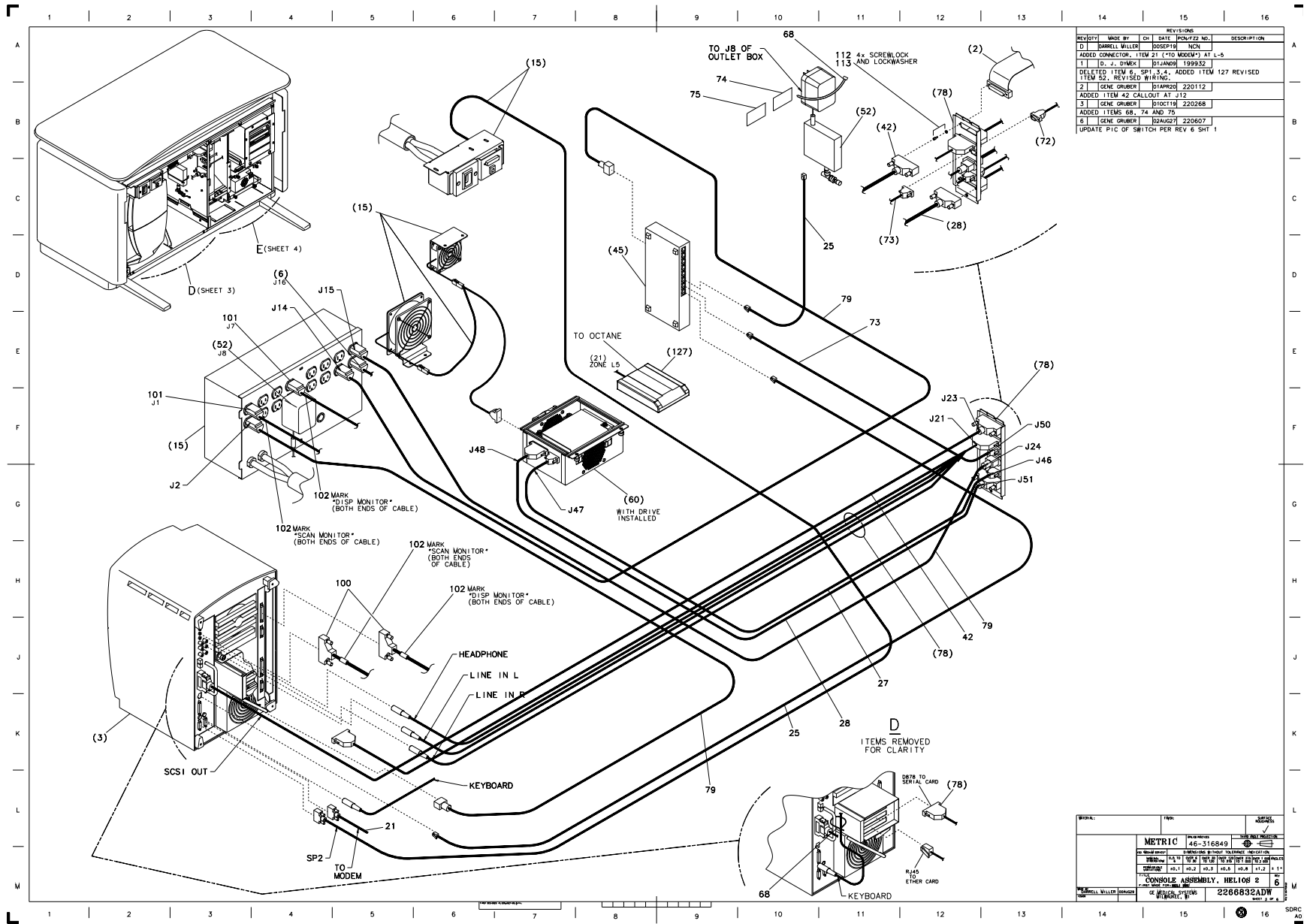


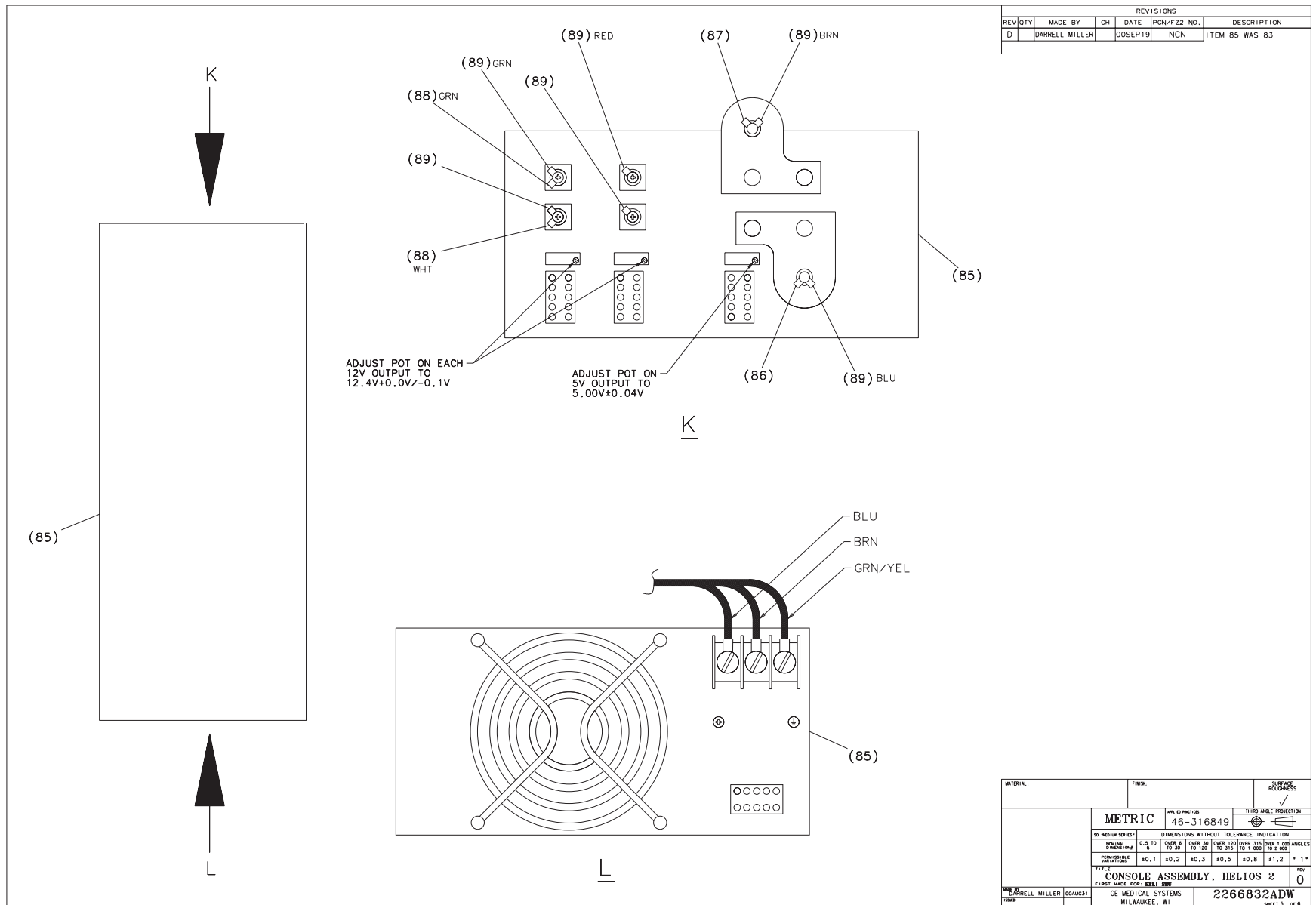
Figure 6-3 Console Assembly (2266832, sheet 2, rev 6)



REVISIONS				
REV	DATE	BY	CHK	DESCRIPTION
D		BARRELL MILLER	ROSEPTM	NCH
ADDED CONNECTOR - ITEM 21 ("TO MODEM") AT L-5				
1		D. J. DWEL	[DIANDJ]	199932
DELETED ITEM 68, SP1 3, 4, ADDED ITEM 127 REVISED ITEM 92, REVISED WIRING				
2		GENE GRUBER	[GAPR20]	220112
ADDED ITEM 42 CALLOUT AT J12				
3		GENE GRUBER	[GRCTR18]	220268
ADDED ITEMS 68, 74 AND 75				
6		GENE GRUBER	[GRAG27]	220607
UPDATE PIC OF SWITCH PER REV 6 SHIT 1				

Model:	Part:	Revision:	Issue:
	METRIC	46-316849	
Manufacturer:	GE HEALTHCARE		
Part No.:	2266832ADW		
Part Name:	CONSOLE ASSEMBLY, HELIOS 2		
Part No.:	2266832ADW		

Figure 6-4 Console Assembly (2266832, sheet 3, rev 6)



MARK	NUMBER	QTY	FRU	DESCRIPTION/NAME
9	2216467	1.000	Yes	PEGASUS IMAGE GENERATOR P
21	2206183	1.000	Yes	NEXGEN CABLE OCTANE TO MO
25	2174128	2.000	Yes	HELIOS ETHERNET SWITCH TO
27	2212407	1.000	Yes	NEXGEN HARD DRIVE POWER C
28	2191454-3	1.000	Yes	SCSI CABLE, DRV BOX TO S/
40	2214280	1.000	Yes	REPLACEMENT HARDWARE COLLECTOR {For further detail, see Section 1.9 , beginning on page 522 .}
42	2277402	1.000	Yes	SCSI CABLE, OCTANE TO BULKHEAD
45	2197229-5	1.000	Yes	ETHERNET SWITCH, 8 PORT
49	2197234-2	1.000	Yes	VME BASED POWER PC CIRCUIT BOARD
52	2148559	1.000	Yes	10BASE-2 TO UTP CONVERTER
53	46-297332P1	1.000	Yes	50 OHM, BNC TEE ADAPTOR
54	2154019	1.000	Yes	50 OHM BNC GROUNDED TERMINATOR
56	2141161	1.000	Yes	RHAPSODE BACKPLANE
64	2225004-4	1.000	Yes	HARD DRIVE 18GB 15KRPM SCAN DATA
64A	2225004-2	ALT	Yes	DISK DRIVE, 18GB SCAN DATA
65	46-328431P1	25.000	Yes	WASHER PLAIN - LARGE 4.3
72	2199633	1.000	Yes	HELIOS RIP BD TO SIDE BUL
73	2199634	1.000	Yes	HELIOS SIDE BULKHEAD TO E
79	2142226	4.000	Yes	POWER CORD FOR EMC AREA
85	2260421	1.000	Yes	VME CONSOLE POWER SUPPLY {For further detail, see Section 1.15 , beginning on page 534 .}
88	2141469	1.000	Yes	P.S. TO FANS
89	2191444	1.000	Yes	NEXGEN HARNESS FROM POWER
95	2280022	2.000	Yes	HANDSCREW, MOTOROLA BOARD
96	2142726	2.000	Yes	DICOM MAGNETO OPTICAL DIS

* Used on console 2266832

** Used on console 2266832-2

Table 6-2 Console Assembly (2266832, -2 BOM, rev 12)

MARK	NUMBER	QTY	FRU	DESCRIPTION/NAME
97	2141620	1.000	Yes	GE PC-TRAC TRACKBALL
99	2227726	1.000	Yes	MOUSE PAD FOR LIGHTSPEED
100	2256482	2.000	Yes	CABLE, 13W3-DB15 RGB CRT
101	2142225	2.000	Yes	MONITOR POWER CORD
112	46-221417P3	2.000	Yes	FEMALE SCREWLOCKS FOR HD
116	2265406	1.000	Yes	FIBER-OPTIC COUPLING RECE
117	2264931	1.000	Yes	CABLE, FIBER OPTIC - HELI
118	2265396	1.000	Yes	CIRCUIT BOARD-SCSI DAUGHT
119	2245261	1.000	Yes	H2 PMC DIP
119A	2275604	ALT	Yes	DIP ASSEMBLY, H1.2 MOD TO
125	2269876	1.000	Yes	CABLE - H2 INTERNAL ABORT
127	2245794	1.000	Yes	GLOBAL MODEM KIT
128	46-221852P2	10.000	Yes	SWITCH
1	46-302200P1	1.000	No	RATING PLATE W/ SN, MN_ &
2	2174061	1.000	No	CONSOLE USER DRIVE ASSY {For further detail, see Section 1.1, beginning on page 480.}
3	2205488-4*	1.000	No	OCTANE COMPUTER ASSY-HELIOS PLUS* {For further detail, see Section 1.3, beginning on page 488.}
	2205488-5**	1.000	No	OCTANE COMPUTER ASSY-HELIOS PLUS W/ D3D** {For further detail, see Section 1.3, beginning on page 488.}
4	2190560	1.000	No	FRONT EMC COVER - NEXGEN
5	2190561	1.000	No	REAR EMC COVER - NEXGEN H
6	2287121	2.000	No	SPACER, IG CHASSIS TO PEG
7	46-328421P5	4.000	No	SCREW PAN HEAD 2.5 MM 8 M
8	2142006	4.000	No	HEX SOC SCREW M2,5 X 16
10	2132370	1.000	No	CSA LABEL NRTL/C
12	2102550	AR	No	TRANSPARENT PROTECTIVE TA

* Used on console 2266832

** Used on console 2266832-2

Table 6-2 Console Assembly (2266832, -2 BOM, rev 12) (Continued)

MARK	NUMBER	QTY	FRU	DESCRIPTION/NAME
13	2117390	1.000	No	LABEL, CE MARKING COMPLIA
14	2132620	1.000	No	CE MARKING LABEL CLASS A
15	2169998	1.000	No	NEXGEN/HELIOS CONSOLE SUB {For further detail, see Section 1.7, beginning on page 502.}
19	2190506	1.000	No	REMOVEABLE CARD CAGE ASSY {For further detail, see Section 1.8, beginning on page 518.}
29	46-220184P54	2.000	No	SCREW
30	1000904P475	4.000	No	ID 0.281 OD 0.625 THK .
31	46-208935P8	4.000	No	1/4-20, 7/16" HEX X 3/16
32	46-221449P6	6.000	No	SCREW SIZE 1/4 (0.250) PH
39	46-269568P1	1.000	No	INFORMIX SOFTWARE-DATA BA
41	2169590-2	1.000	No	CR INTERCOM/PRESCRIBED TILT {For further detail, see Section 1.10, beginning on page 524.}
57	2195386	1.000	No	SWITCH MOUNTING BRACKET -
58	2191331	1.000	No	ETHERNET SWITCH MOUNTING
60	2200483-2	1.000	No	BOX ASSY-FAN AND CABLES_H {For further detail, see Section 1.11, beginning on page 526.}
61	2190538	1.000	No	HARD DRIVE MOUNTING BRACKET
62	46-170015P10	4.000	No	SCREW
63	2103585-2	28.000	No	SCREW PAN HEAD 4 MM 10 MM
66	46-328421P4	1.000	No	SCREW PAN HEAD 2.5 MM 6 M
67	46-328432P1	1.000	No	WASHER LOCK - SPRING 2.6
68	46-208758P9	3.000	No	11.08"X .140" SELF-LOCKIN
74	46-136246P21	AR	No	2" WIDE X 25 YD WHITE VEL
75	46-136246P14	AR	No	2" WIDE, WHT, ADH BACK, V
78	2174056-5	1.000	No	SIDE BULKHEAD ASSY-H2 PEG {For further detail, see Section 1.13, beginning on page 530.}

* Used on console 2266832

** Used on console 2266832-2

Table 6-2 Console Assembly (2266832, -2 BOM, rev 12) (Continued)

MARK	NUMBER	QTY	FRU	DESCRIPTION/NAME
80	2270040	1.000	No	PLATE, ACCESS H2
86	2141465	1.000	No	4 AWG 62" LONG
87	2141466	1.000	No	4 AWG 62" LONG
90	46-312679P2	4.000	No	INTERNALLY RIBBED GROMMET
91	46-328432P2	1.000	No	WASHER LOCK - SPRING 4.1
92	46-328425P1	1.000	No	NUT HEXAGON 4 MM
93	46-208759P1	1.000	No	7.81" X .184" SELF-LOCKIN
102	46-208781P2	8.000	No	WRITE-ON LABEL FOR MARKIN
108	2271508	1.000	No	BRACKET, SWITCH MOUNTING
110	2240540	1.000	No	NETSCAPE LICENSE
111	2249665	1.000	No	CASTENET S/W LICENSE PACK
113	46-170686P3	AR	No	LOCTITE 242, 50CC
120	46-328421P3	10.000	No	SCREW PAN HEAD 2.5 MM 5 M
121	2209277	2.000	No	STANDOFF/SPACER FEMALE/FE
122	46-208758P1	1.000	No	3.62" X .094" CABLE TIE
123	2255847	1.000	No	VISIBROKER RUN-TIME LICEN
124	46-220183P1	8.000	No	0.500 SQ X 0.225 THK BLK
126	2284884	1.000	No	VXWORKS 5.4 LICENCE
129	2315552	1.000	No	OCTANE MOUNTING BRACKET
130	2315552-2	1.000	No	OCTANE MOUNTING BRACKET

* Used on console 2266832

** Used on console 2266832-2

Table 6-2 Console Assembly (2266832, -2 BOM, rev 12) (Continued)

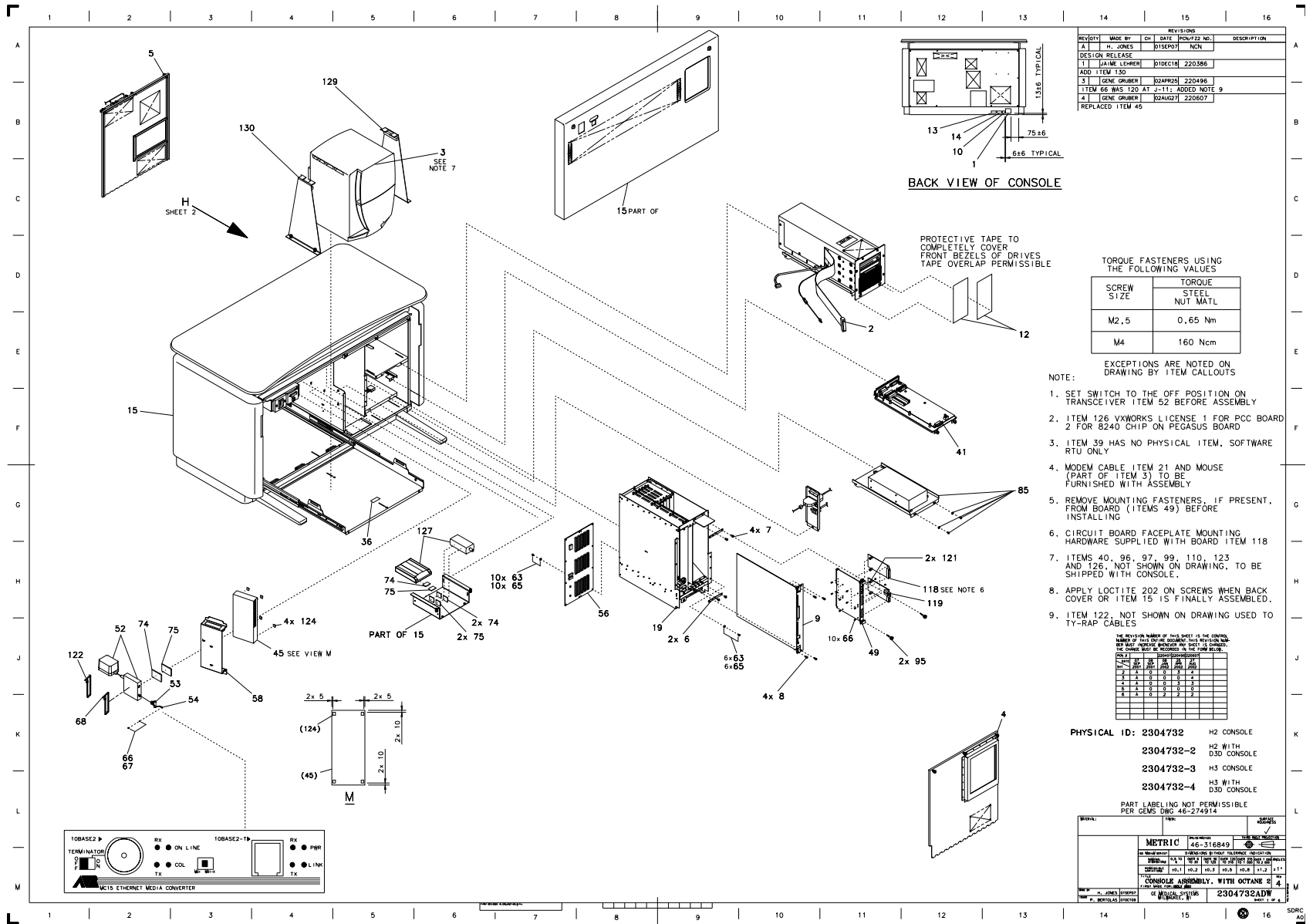


Figure 6-8 Console Assembly, w/Octane2 (2304732, sheet 1, rev 4)

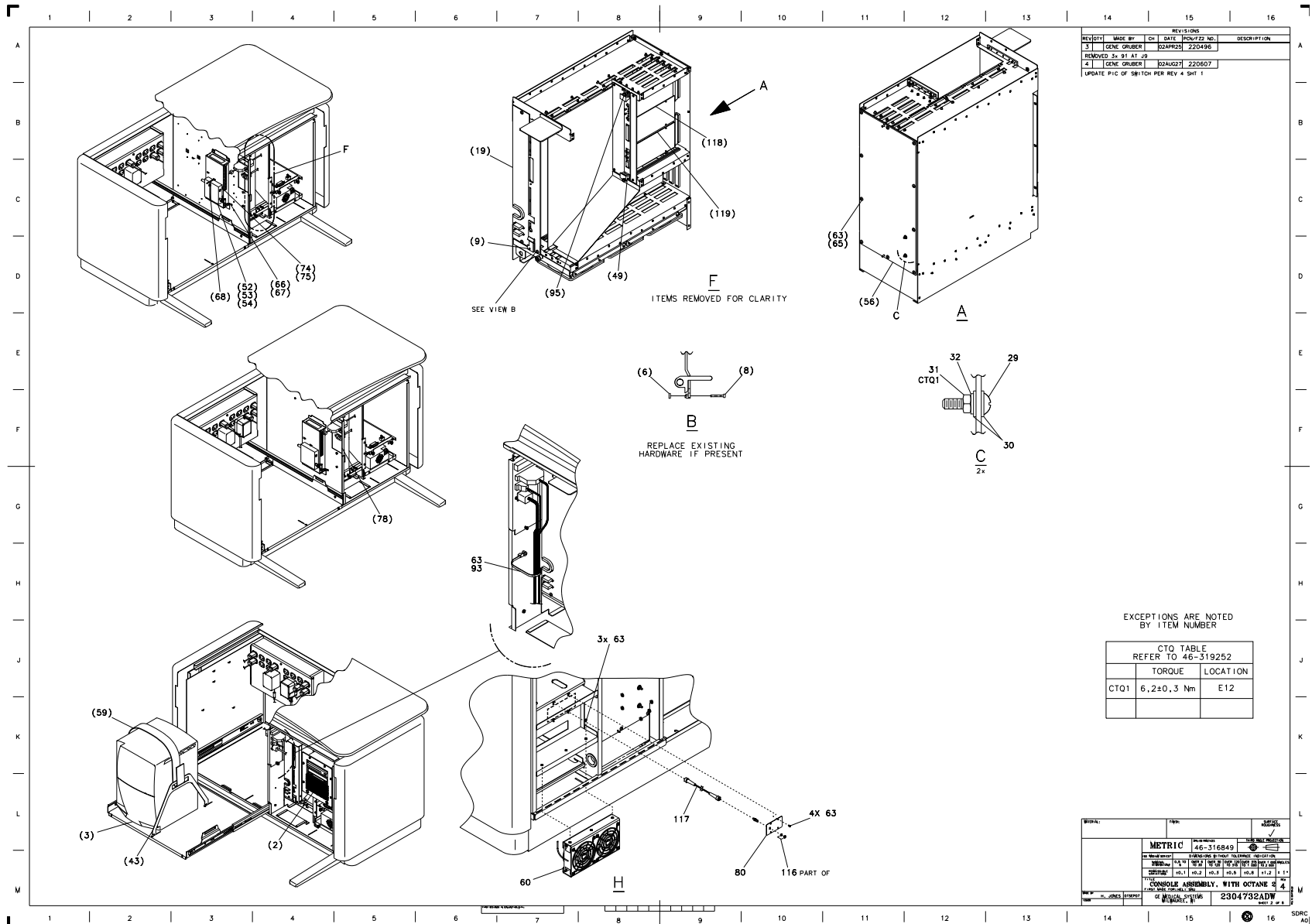


Figure 6-9 Console Assembly, w/Octane2 (2304732, sheet 2, rev 4)

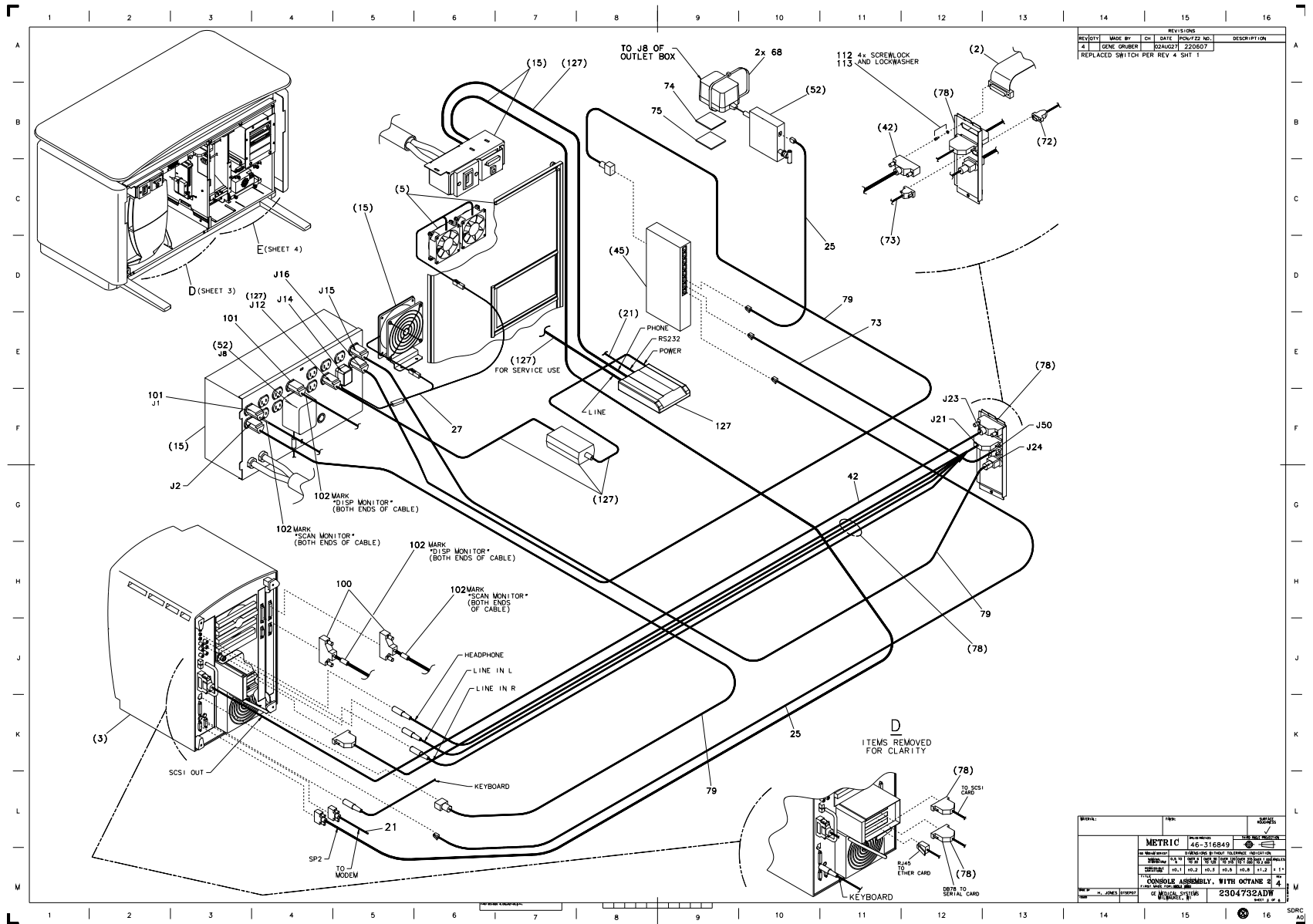


Figure 6-10 Console Assembly, w/Octane2 (2304732, sheet 3, rev 4)

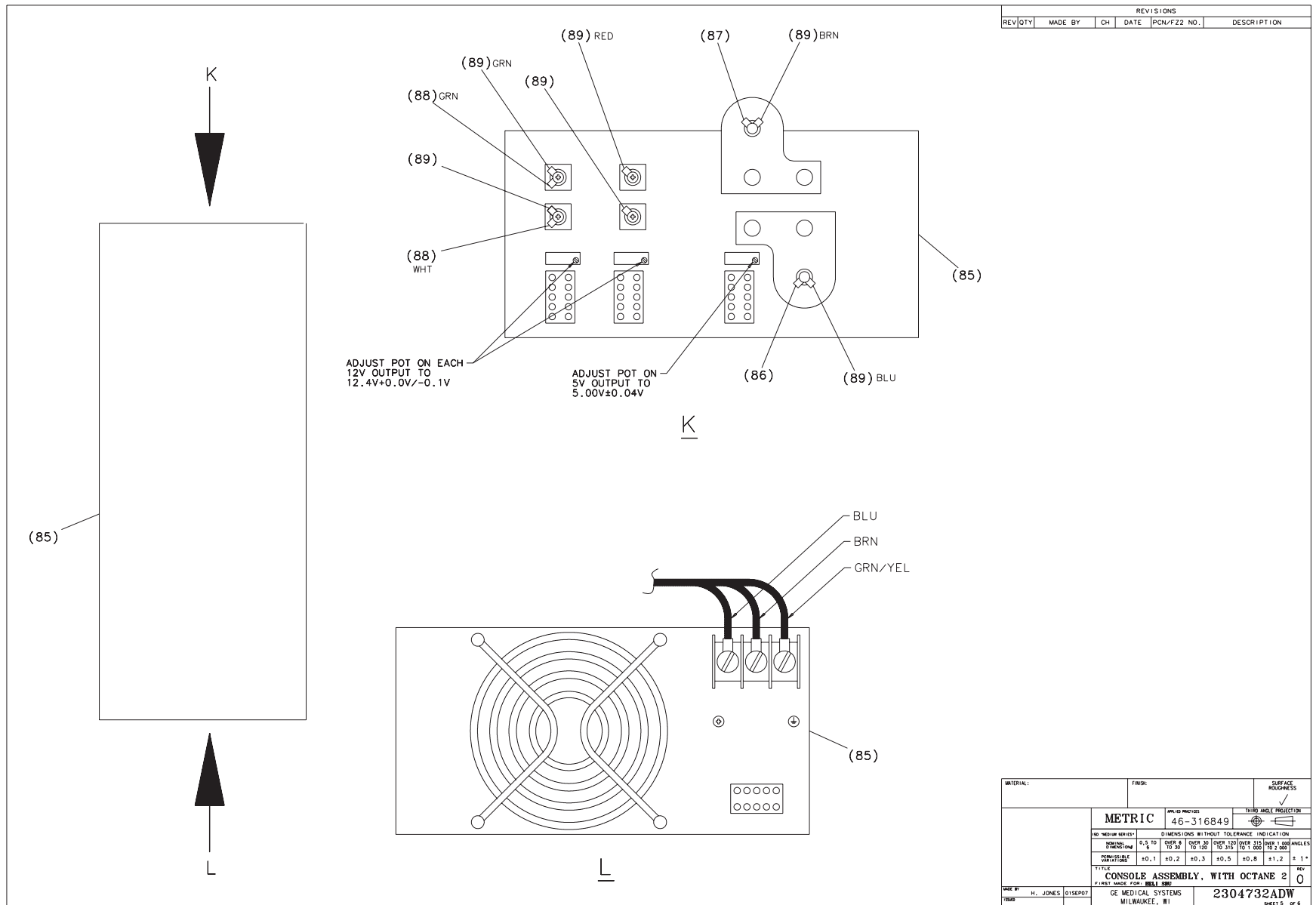


Figure 6-12 Console Assembly, w/Octane2 (2304732, sheet 5, rev 0)

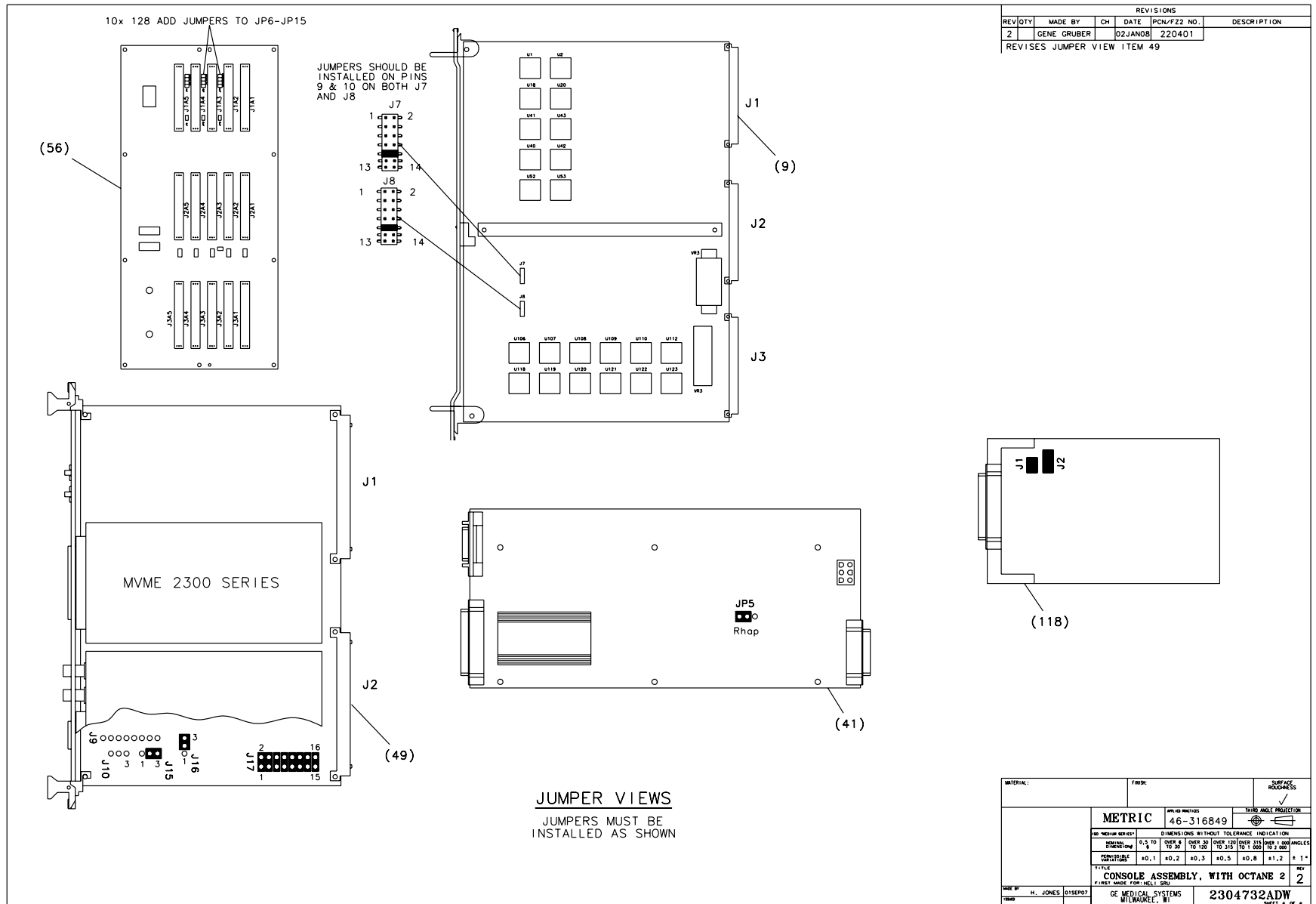


Figure 6-13 Console Assembly, w/Octane2 (2304732, sheet 6, rev 2)

MARK	NUMBER	QTY	FRU	DESCRIPTION/NAME
9	2216467	1.000	Yes	PEGASUS IMAGE GENERATOR P
21	2206183	1.000	Yes	NEXGEN CABLE OCTANE TO MO
25	2174128	2.000	Yes	HELIOS ETHERNET SWITCH TO
27	2286340	1.000	Yes	WALL MOUNT POWER ADAPTER
28	2281056	1.000	Yes	CABLE, PMC TO HARD DRIVE
40	2214280	1.000	Yes	REPLACEMENT HARDWARE COLLECTOR {For further detail, see Section 1.9 , beginning on page 522 .}
42	2277402	1.000	Yes	SCSI CABLE, OCTANE TO BU
45	2197229-3	1.000	Yes	5 PORT WITH HUB FAST ETHE
49	2197234-2	1.000	Yes	VME BASED POWER PC CIRCUIT BRD-H1.2
52	2148559	1.000	Yes	10BASE-2 TO UTP CONVERTER
53	46-297332P1	1.000	Yes	50 OHM, BNC TEE ADAP
54	2154019	1.000	Yes	50 OHM BNC GROUNDED TERMI
56	2141161	1.000	Yes	RHAPSODE BACKPLANE
60	2294357	1.000	Yes	FAN ASSEMBLY FOR POWER SUPPLY {For further detail, see Section 1.12 , beginning on page 528 .}
65	46-328431P1	16.000	Yes	WASHER PLAIN - LARGE 4.3
72	2199633	1.000	Yes	HELIOS RIP BD TO SIDE BUL
73	2199634	1.000	Yes	HELIOS SIDE BULKHEAD TO E
79	2142226	4.000	Yes	POWER CORD FOR EMC AREA
85	2260421	1.000	Yes	VME CONSOLE POWER SUPPLY {For further detail, see Section 1.15 , beginning on page 534 .}
88	2141469-2	1.000	Yes	CABLE, POWER SUPPLY TO FA
89	2191444	1.000	Yes	NEXGEN HARNESS FROM POWER
95	2280022	2.000	Yes	HANDSCREW, MOTOROLA BOARD
96	2142726	2.000	Yes	DICOM MAGNETO OPTICAL DIS

* Used on console 2304732

** Used on console 2304732-2

Table 6-3 Console Assembly, w/Octane2 (2304732, -2 BOM, rev 6)

MARK	NUMBER	QTY	FRU	DESCRIPTION/NAME
97	2141620	1.000	Yes	GE PC-TRAC TRACKBALL
99	2227726	1.000	Yes	MOUSE PAD FOR LIGHTSPEED
101	2142225	2.000	Yes	MONITOR POWER CORD
112	46-221417P3	2.000	Yes	FEMALE SCREWLOCKS FOR HD
116	2265406	1.000	Yes	FIBER-OPTIC COUPLING RECE
117	2264931	1.000	Yes	CABLE, FIBER OPTIC - HELI
118	2265396	1.000	Yes	CIRCUIT BOARD-SCSI DAUGHT
119	2245261	1.000	Yes	H2 PMC DIP
125	2269876	1.000	Yes	CABLE - H2 INTERNAL ABORT
127	2245794	1.000	Yes	GLOBAL MODEM KIT {For further detail, see Section 2.1 , beginning on page 536 .}
128	46-221852P2	10.000	Yes	SWITCH
1	46-302200P1	1.000	No	RATING PLATE W/ SN, MN_ &
2	2174061-2	1.000	No	CONSOLE USER DRIVE ASSY W {For further detail, see Section 1.2 , beginning on page 484 .}
3	2295618*	1.000	No	OCTANE2 COMPUTER ASSEMBLY* {For further detail, see Section 1.4 , beginning on page 496 .}
	2295618-2**	1.000	No	OCTANE2 COMPUTER ASSEMBLY, W D3D** {For further detail, see Section 1.4 , beginning on page 496 .}
4	2190560	1.000	No	FRONT EMC COVER - NEXGEN
5	2297734	1.000	No	REAR EMC COVER WITH FAN A {For further detail, see Section 1.6 , beginning on page 500 .}
6	2287121	2.000	No	SPACER, IG CHASSIS TO PEG
7	46-328421P5	4.000	No	SCREW PAN HEAD 2.5 MM 8 M
8	2142006	4.000	No	HEX SOC SCREW M2, 5 X 16
10	2132370	1.000	No	CSA LABEL NRTL/C
12	2102550	AR	No	TRANSPARENT PROTECTIVE TA

* Used on console 2304732

** Used on console 2304732-2

Table 6-3 Console Assembly, w/Octane2 (2304732, -2 BOM, rev 6) (Continued)

MARK	NUMBER	QTY	FRU	DESCRIPTION/NAME
13	2117390	1.000	No	LABEL, CE MARKING COMPLIA
14	2132620	1.000	No	CE MARKING LABEL CLASS A
15	2169998	1.000	No	NEXGEN/HELIOS CONSOLE SUB {For further detail, see Section 1.7, beginning on page 502.}
19	2190506	1.000	No	REMOVEABLE CARD CAGE ASSY {For further detail, see Section 1.8, beginning on page 518.}
29	46-220184P54	2.000	No	SCREW
30	1000904P475	4.000	No	ID 0.281, OD 0.625, THK .
31	46-208935P8	4.000	No	1/4-20, 7/16" HEX X 3/16
32	46-221449P6	4.000	No	SCREW SIZE 1/4 (0.250) PH
39	46-269568P1	1.000	No	INFORMIX SOFTWARE-DATA BA
41	2169590-2	1.000	No	CR INTERCOM/PRESCRIBED TILT {For further detail, see Section 1.10, beginning on page 524.}
58	2280806	1.000	No	BRACKET, ETHERNET SWITCH
63	2103585-2	24.000	No	SCREW PAN HEAD 4 MM 10 MM
66	46-328421P4	11.000	No	SCREW PAN HEAD 2.5 MM 6 M
67	46-328432P1	1.000	No	WASHER LOCK - SPRING 2.6
68	46-208758P9	3.000	No	11.08" X .140" SELF-LOCKIN
74	46-136246P21	AR	No	2" WIDE X 25 YD WHITE VEL
75	46-136246P14	AR	No	2" WIDE, WHT, ADH BACK, V
78	2174056-6	1.000	No	SIDE BULKHEAD ASSY-WARP III {For further detail, see Section 1.14, beginning on page 532.}
80	2270040	1.000	No	PLATE, ACCESS H2
86	2141465	1.000	No	4 AWG 62" LONG
87	2141466	1.000	No	4 AWG 62" LONG
93	46-208759P1	1.000	No	7.81" X .184" SELF-LOCKIN
102	46-208781P2	8.000	No	WRITE-ON LABEL FOR MARKIN

* Used on console 2304732

** Used on console 2304732-2

Table 6-3 Console Assembly, w/Octane2 (2304732, -2 BOM, rev 6) (Continued)

MARK	NUMBER	QTY	FRU	DESCRIPTION/NAME
110	2240540	1.000	No	NETSCAPE LICENSE
113	46-170686P3	AR	No	LOCTITE 242, 50CC
120	46-328421P3	10.000	No	SCREW PAN HEAD 2.5 MM 5 M
121	2209277	2.000	No	STANDOFF/SPACER FEMALE/FE
122	46-208758P1	13.000	No	3.62" X .094" CABLE TIE
123	2255847	1.000	No	VISIBROKER RUN-TIME LICEN
124	46-220183P1	4.000	No	0.500 SQ X 0.225 THK BLK
126	2284884	1.000	No	VXWORKS 5.4 LICENCE
129	2315552	1.000	No	OCTANE MOUNTING BRACKET
130	2315552-2	1.000	No	OCTANE MOUNTING BRACKET

* Used on console 2304732

** Used on console 2304732-2

Table 6-3 Console Assembly, w/Octane2 (2304732, -2 BOM, rev 6) (Continued)

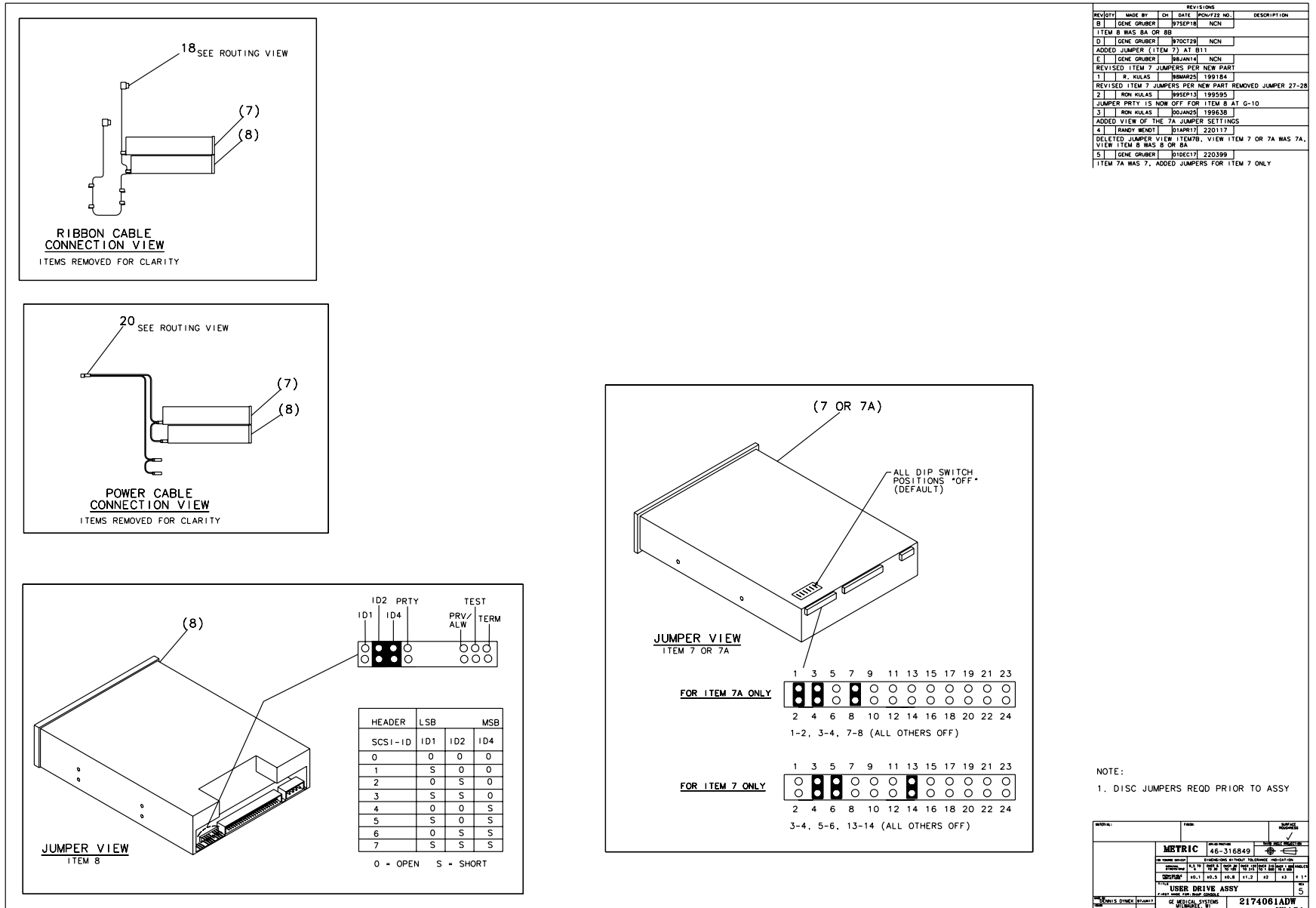


Figure 6-15 Console User Drive Assembly (2174061, sheet 2, rev 5)

MARK	NUMBER	QTY	FRU	DESCRIPTION/NAME
6	46-328421P501	16.000	Yes	SCREW PAN HEAD 3 MM 5 MM
7	2318598	1.000	Yes	SONY MOD SMO-F551-SD
7A	2280678	ALT	Yes	MOD, STAR T5-4.5 FIRMWARE
7B	2260734-2	ALT	Yes	MAGNETO OPTICAL DISK DRIVE
8	2315456	1.000	Yes	CD ROM DRV WITH 256K BUFFER
8A	2253371	ALT	Yes	CDROM DRIVE 32X
8B	2363007	ALT	Yes	CD-ROM DRIVE, INTERNAL, 4
10	2138604	1.000	Yes	USER DRIVE FRONT BEZEL
11	46-208908P33	6.000	Yes	SCREW STEEL, FLAT HEAD 8-
14	2141473	1.000	Yes	12VDC FAN WITH CONNECTOR
18	2191434	1.000	Yes	NEXGEN CABLE FROM SIDE BU
20	2141463	1.000	Yes	FOR 4 DRIVES, 81" LONG
22	46-269601P1	1.000	Yes	ACTIVE REGULATED SCSI TER
23	2141468	1.000	Yes	FAN POWER EXTENSION
24	46-221417P4	2.000	Yes	FEMALE SCREWLOCKS FOR HD
26	46-170686P3	AR	Yes	LOCTITE 242, 50CC
28	46-403307P1	1.000	Yes	FAN ACCESSORIES FINGER GU
31	46-311804P2	16.000	Yes	3.2X9X.8 ZP ST DIN
38	46-220191P5	1.000	Yes	PANDUIT FCM3-A-14 GRAY
39	46-208747P2	2.000	Yes	CABLE TIE MOUNT ADHESIVE
40	46-208758P2	2.000	Yes	5.5" X .140" SELF-LOCKING
41	46-311805P10	16.000	Yes	HELICAL LOCK WASHER
1	2138605	1.000	No	USER DRIVER ENCLOSURE TOP
5	2138606	1.000	No	USER DRIVE ENCLOSURE
9	2140832	2.000	No	UNUSED DRIVE OPENING COVE
12	2202860	1.000	No	USER DRIVE TRAY NEXGEN/HE
13	46-170015P14	12.000	No	SCREW

Table 6-4 Console User Drive Assembly (2174061 BOM, rev 9)

MARK	NUMBER	QTY	FRU	DESCRIPTION/NAME
15	2141457	1.000	No	USER DRIVE FAN MOUNTING P
16	46-208897P16	8.000	No	SCREW
30	12-277	12.000	No	WASHER, FLAT
35	2153015	1.000	No	CAUTION DO NOT RMVE ASSY
37	46-170209P1	AR	No	0.034 X 1.00 X 100 FT

Table 6-4 Console User Drive Assembly (2174061 BOM, rev 9) (Continued)

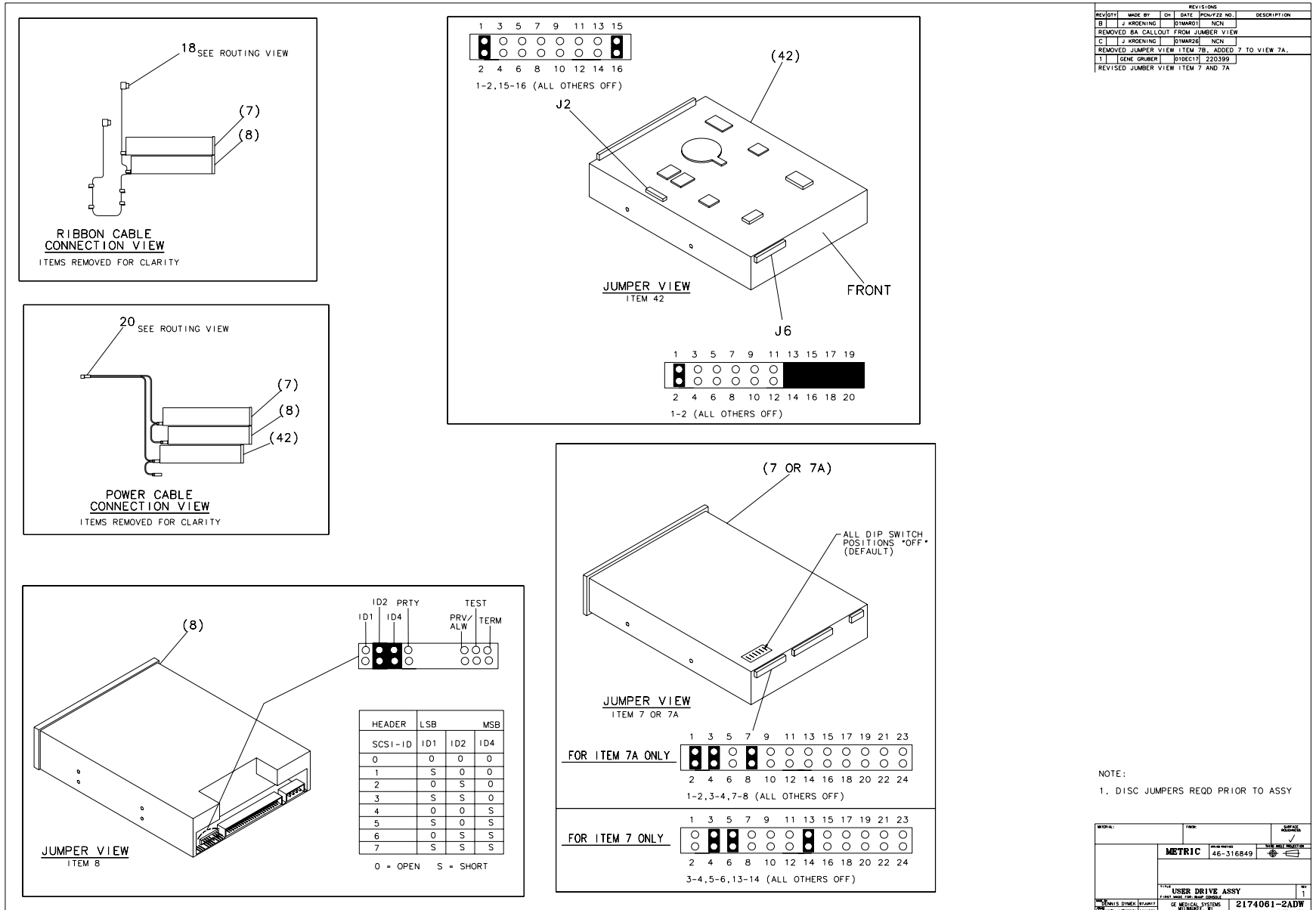


Figure 6-17 Console User Drive Assembly (2174061-2, sheet 2, rev 1)

NOTE:
1. DISC JUMPERS RECD PRIOR TO ASSY

REV	DATE	BY	CHKD	DESCRIPTION
METRIC				46-316849
TITLE				USER DRIVE ASSY
PART NO.				2174061-2ADW
REV				1

MARK	NUMBER	QTY	FRU	DESCRIPTION/NAME
7	2318598	1.000	Yes	SONY MOD SMO-F551-SD
7A	2280678	ALT	Yes	MOD, STAR T5-4.5 FIRMWARE
7B	2260734-2	ALT	Yes	MAGNETO OPTICAL DISK DRIVE
8	2315456	1.000	Yes	CD ROM DRV WITH 256K BUFFER
8A	2253371	ALT	Yes	CDROM DRIVE 32X
8B	2363007	ALT	Yes	CD-ROM DRIVE, INTERNAL, 4
11	46-208908P33	6.000	Yes	SCREW STEEL, FLAT HEAD 8-
14	2141473	1.000	Yes	12VDC FAN WITH CONNECTOR
18	2191434	1.000	Yes	NEXGEN CABLE FROM SIDE BU
20	2141463	1.000	Yes	FOR 4 DRIVES, 81" LONG
22	46-269601P1	1.000	Yes	ACTIVE REGULATED SCSI TER
23	2141468	1.000	Yes	FAN POWER EXTENSION
24	46-221417P4	2.000	Yes	FEMALE SCREWLOCKS FOR HD
26	46-170686P3	AR	Yes	LOCTITE 242, 50CC
28	46-403307P1	1.000	Yes	FAN ACCESSORIES FINGER GU
31	46-311804P2	8.000	Yes	3.2X9X.8 ZP ST DIN
38	46-220191P5	1.000	Yes	PANDUIT FCM3-A-14 GRAY
40	46-208758P2	2.000	Yes	5.5" X .140" SELF-LOCKING
41	46-311805P10	12.000	Yes	HELICAL LOCK WASHER
42	2225004-4	1.000	Yes	HARD DRIVE 18GB 15KRPM SCAN DATA
42A	2225004-3	ALT	Yes	DISK DRIVE, 18GB 1500 RP
46	2174107	1.000	Yes	HELIOS HARD RIVE BOX TO HAR
1	2138605	1.000	No	USER DRIVER ENCLOSURE TOP
5	2295626	1.000	No	LOWER PANEL OF USER DRIVE
6	46-328421P501	8.000	No	SCREW PAN HEAD 3 MM 5 MM
10	2138604-2	1.000	No	USER DRIVE FRONT BEZEL
12	2202860	1.000	No	USER DRIVE TRAY NEXGEN/HE

Table 6-5 Console User Drive Assembly (2174061-2 BOM, rev 6)

MARK	NUMBER	QTY	FRU	DESCRIPTION/NAME
13	46-170015P14	12.000	No	PAN HD SCREW 8-32 X 3/8
15	2141457	1.000	No	USER DRIVE FAN MOUNTING P
16	46-208897P16	8.000	No	SCREW
30	12-277	12.000	No	WASHER, FLAT
35	2153015	1.000	No	CAUTION DO NOT RMVE ASSY
37	46-170209P1	AR	No	0.034 X 1.00 X 100 FT
43	2190538	1.000	No	HARD DRIVE MOUNTING BRACKET
44	46-170015P10	4.000	No	SCREW
45	46-312679P2	4.000	No	INTERNALLY RIBBED GROMMET
47	46-328425P1	2.000	No	NUT HEXAGON 4 MM
48	46-328432P2	2.000	No	WASHER LOCK - SPRING 4.1
49	46-328431P1	6.000	No	WASHER PLAIN - LARGE 4.3
50	2213190	1.000	No	HARD DRIVE BOX GROUND STRAP
51	2103585-2	4.000	No	SCREW PAN HEAD 4 MM 10 MM
52	46-208560P53	2.000	No	SCREW

Table 6-5 Console User Drive Assembly (2174061-2 BOM, rev 6) (Continued)

1.3 Octane Computer Assembly

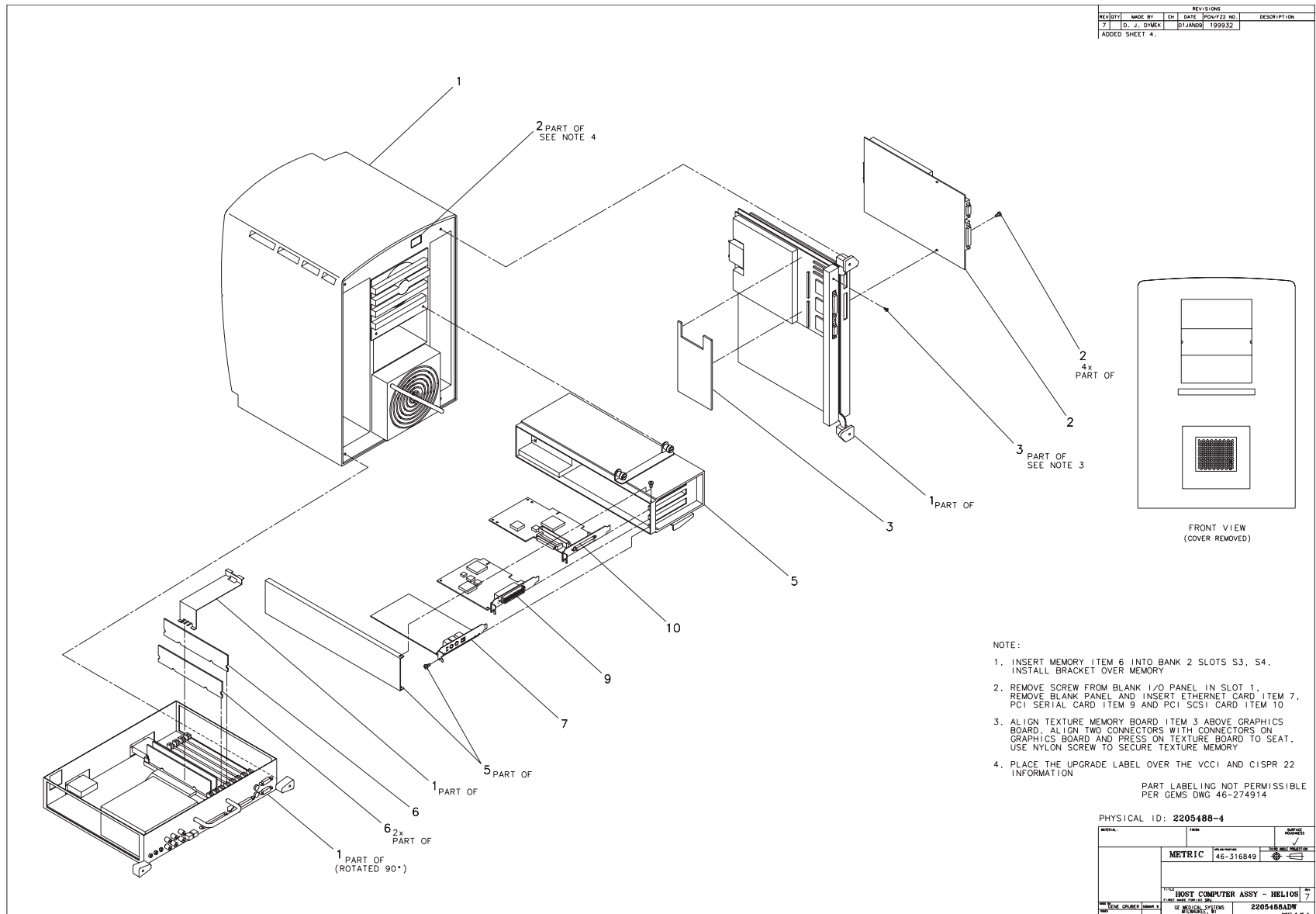


Figure 6-18 Octane Computer Assembly (2205488, sheet 4, rev 7)

FRU = NO

USED ON:
2266832

MARK	NUMBER	QTY	FRU	DESCRIPTION
2	2169940-36	1.000	Yes	DUAL HEAD SE GRAPHICS OPTION/SPARE
3	2169940-37	1.000	Yes	4MB SE TEXTURE MEMORY OPTION/SPARE
5	2169940-7	1.000	Yes	OPTION PCI CARDCAGE
6A	2199806-5	2.000	Yes	2 X 128 MB OCTANE KIT/PAIR
6B	2280645	ALT	Yes	256MB MEMORY KIT, KINGSTO
7	2169940-8	1.000	Yes	OPTION PCI ETHERNET CARD
8	2169940-12	1.000	Yes	OPTION 9GB DISK DRIVE
8A	2169940-52	ALT	Yes	9 GB "PISCES" DISK DRIVE
8B	2169940-46	ALT	Yes	PCA NEW 9GB DISK DRIVE
9	2282000	1.000	Yes	PCI 4 PORT SERIAL CARD
10	2169940-9	1.000	Yes	OPTION PCI SCSI CARD
1	2169940-43	1.000	No	R12K BASE CT/MR OCTANE COMPUTER

Table 6-6 Octane Computer Assembly (2205488-4 BOM, rev 2)

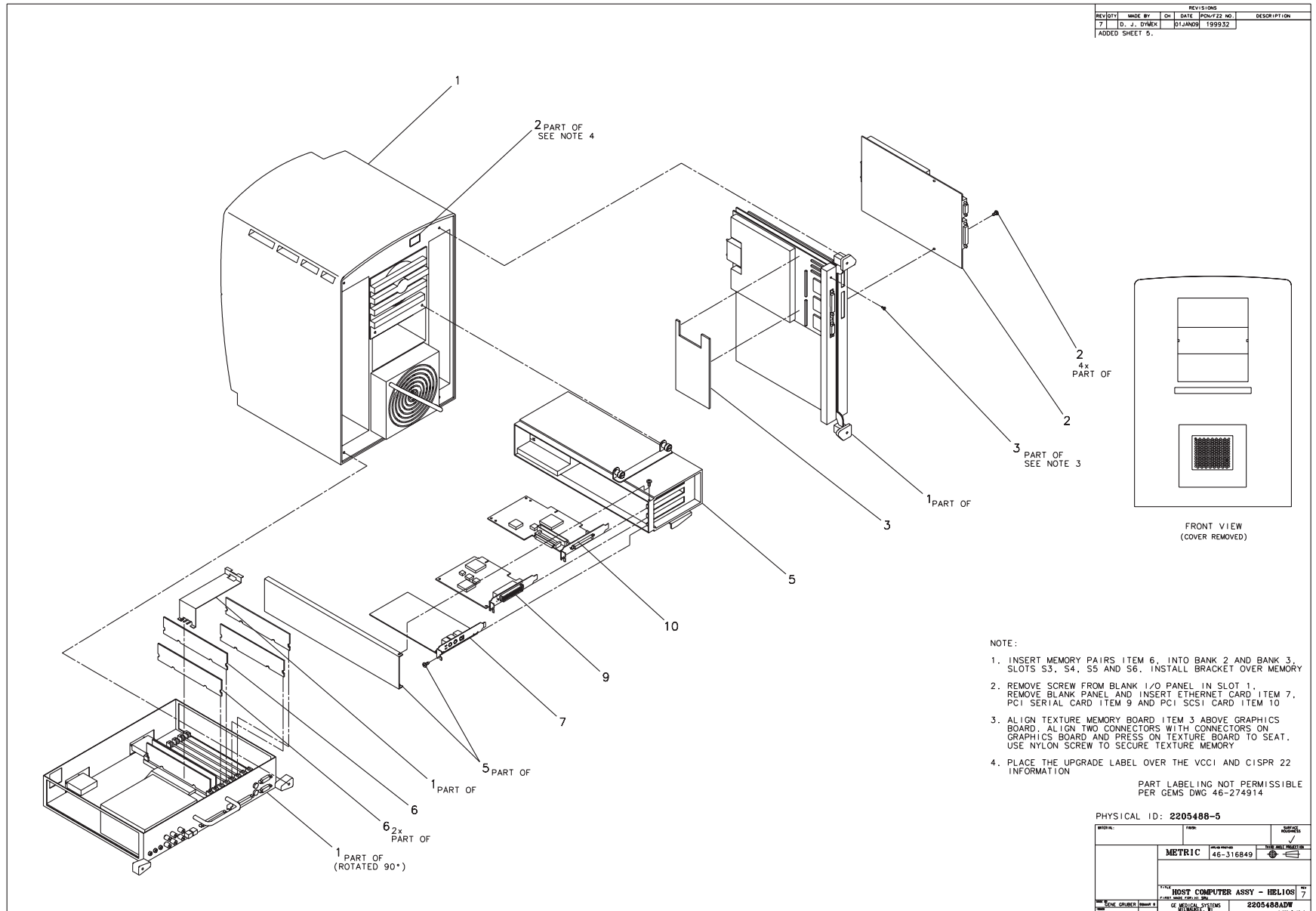


Figure 6-19 Octane Computer Assembly w/D3D (2205488, sheet 5, rev 7)

FRU = NO

USED ON:
 2266832-2

MARK	NUMBER	QTY	FRU	DESCRIPTION
2	2169940-36	1.000	Yes	DUAL HEAD SE GRAPHICS OPTION
3	2169940-37	1.000	Yes	4MB SE TEXTURE MEMORY OPTION
5	2169940-7	1.000	Yes	OPTION PCI CARDCAGE
6A	2199806-8	2.000	Yes	MEMORY, 2X256MB, LOW PROF
6B	2280645-2	ALT	Yes	512MB MEMORY KIT, KINGSTO
7	2169940-8	1.000	Yes	OPTION PCI ETHERNET CARD
9	2282000	1.000	Yes	PCI 4 PORT SERIAL CARD
10	2169940-9	1.000	Yes	OPTION PCI SCSI CARD
1	2169940-50	1.000	No	GEMS BASE DUAL R12K OCTANE

Table 6-7 Octane Computer Assembly w/D3D (2205488-5 BOM, rev 0)

Octane Computer

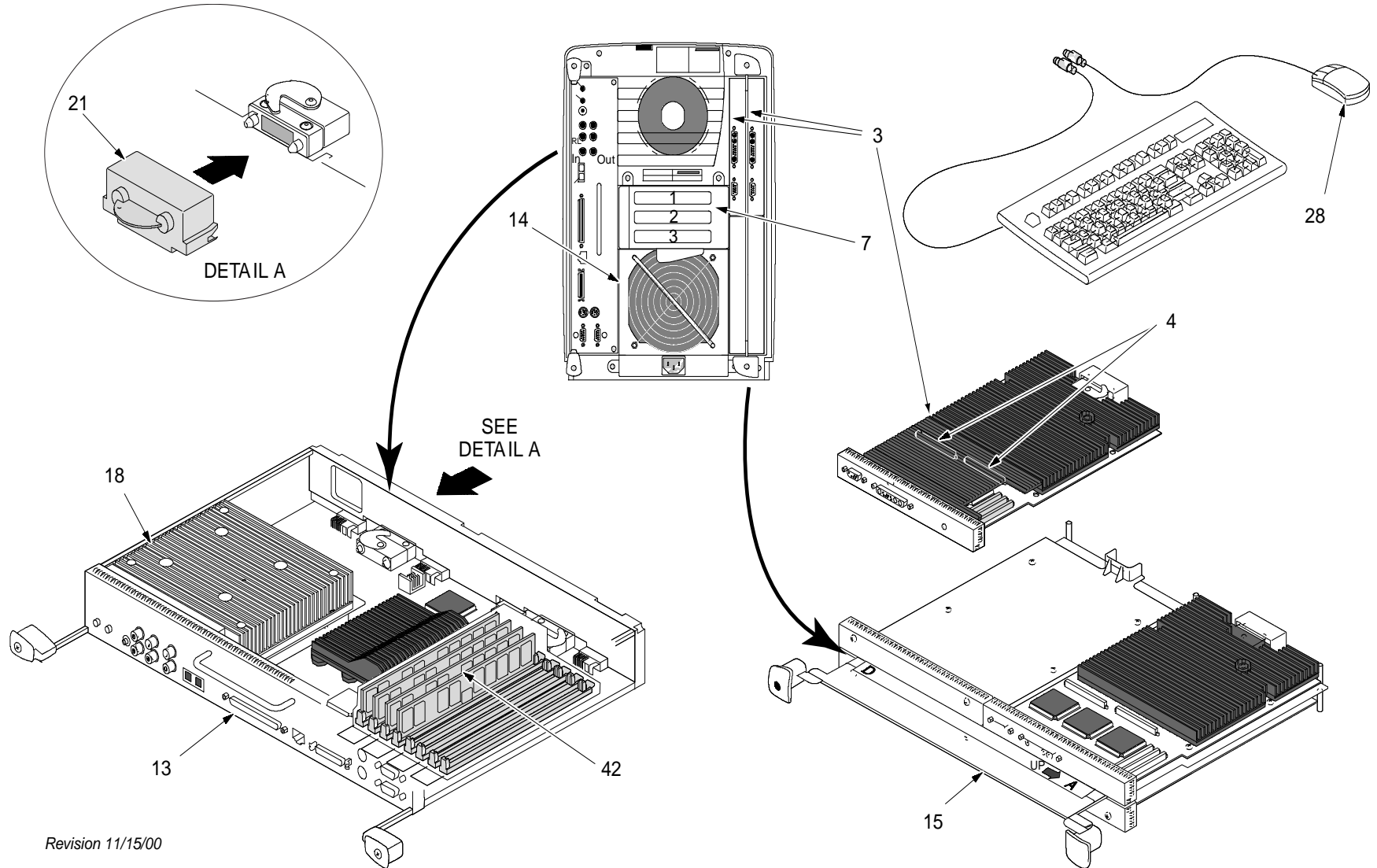
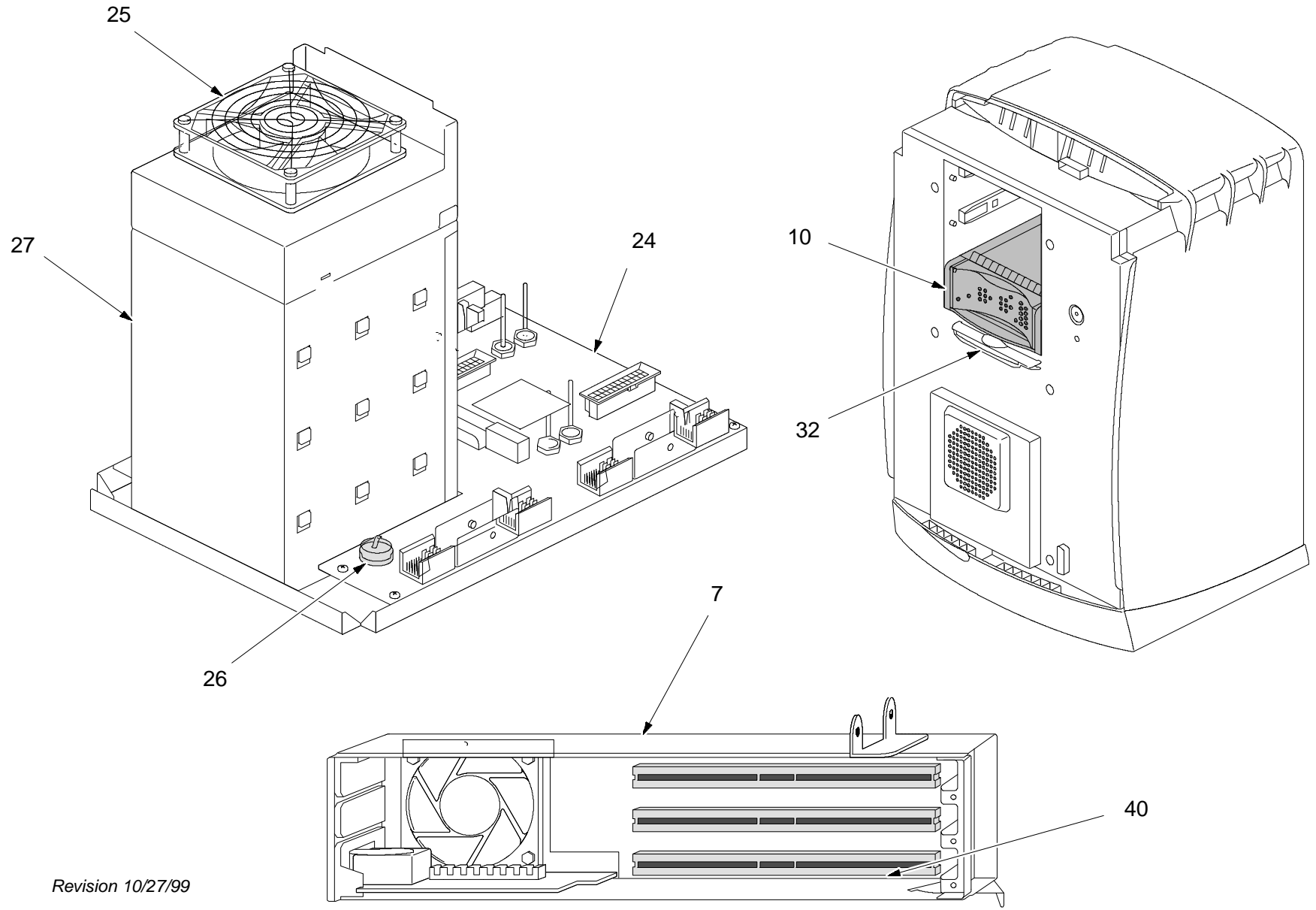


Figure 6-20 Octane Computer, (sheet 1, rev 11/14/00)



Revision 10/27/99

Figure 6-21 Octane Computer, (sheet 2, rev 10/27/99)

MARK	NUMBER	QTY	FRU	DESCRIPTION
3	2169940- 3	1	Yes	GRAPHICS CARD 1 AND CARD 2 / SGI# 030- 0938- 003
3A	2169940- 36	ALT	Yes	GRAPHICS CARD 1 AND CARD 2 / SGI PART# HU- DHSE OR 030- 1241- 002
4	2169940- 4	1	Yes	TEXTURE MEMORY (4MB) / SGI# 030- 0961- 002
4A	2169940- 37	ALT	Yes	TEXTURE MEMORY (4MB) / SGI PART# HU- SETEX OR 030- 1263- 002
7	2169940- 7	1	Yes	PCI MODULE / SGI# PCI- CARD CAGE
10A	2169940-52	1	Yes	9 GB "PISCES" DISK DRIVE
10B	2169940-46	ALT	Yes	PCA NEW 9GB DISK DRIVE
13	2169940- 45	1	Yes	SYSTEM MODULE WITH OUT PROCESSOR OR DIMMS / SGI# 030- 0887- 003
14	2169940- 14	1	Yes	POWER SUPPLY / SGI# 060- 0038- 001
15	2169940- 15	1	Yes	XIO MODULE / SGI# 013- 1600- 005
21	2169940- 21	1	Yes	COMPRESSION CAP / SGI# 050- 0358- 002
24	2169940- 24	1	Yes	FRONT PLANE ASSEMBLY / SGI# 013- 1597- 001
25	2169940- 25	1	Yes	SYSTEM FAN / SGI# 013- 2000- 001
26	2169940- 26	1	Yes	SYSTEM IDENTIFICATION MODULE / SGI# 013- 2501- 001
27	2169940- 27	1	Yes	DRIVE BAYS
28	2169940- 28	1	Yes	MOUSE / SGI# 063- 0009- 001
32	2169940- 32	1	Yes	LIGHT MODULE / SGI# 013- 1918- 001
40	2169940- 8	1	Yes	PCI ETHERNET CARD

Table 6-8 OCTANE Computer Parts

MARK	NUMBER	QTY	FRU	DESCRIPTION
13	2169940- 45	1	Yes	SYSTEM MODULE WITHOUT PROCESSOR OR DIMMS - MOTHERBOARD
18A	2169940- 44	1	Yes	270MHZ R12K SINGLE PROCESSOR / SGI PART # 030-1432-001
18B	2169940- 48	1	Yes	270MHZ R12K DUAL PROCESSOR / SGI PART # 030-1433-001 (DIRECT-3D OPTION)
42	2199806- 8	1 OR 3	Yes	256MB SDRAM DIMMS (PAIR) (STANDARD & OPTION - DIRECT-3D)

Table 6-9 OCTANE Computer (270 MHz R12K and Dual Processor)

MARK	NUMBER	QTY	FRU	DESCRIPTION
18C	2169940-49	1	1	300MHZ R12K DUAL PROCESSOR / SGI PART # 030-1356-001 (DIRECT 3D OPTION)

Table 6-10 OCTANE Computer (300 MHz D3D Option)

1.4 Octane2 Computer Assembly

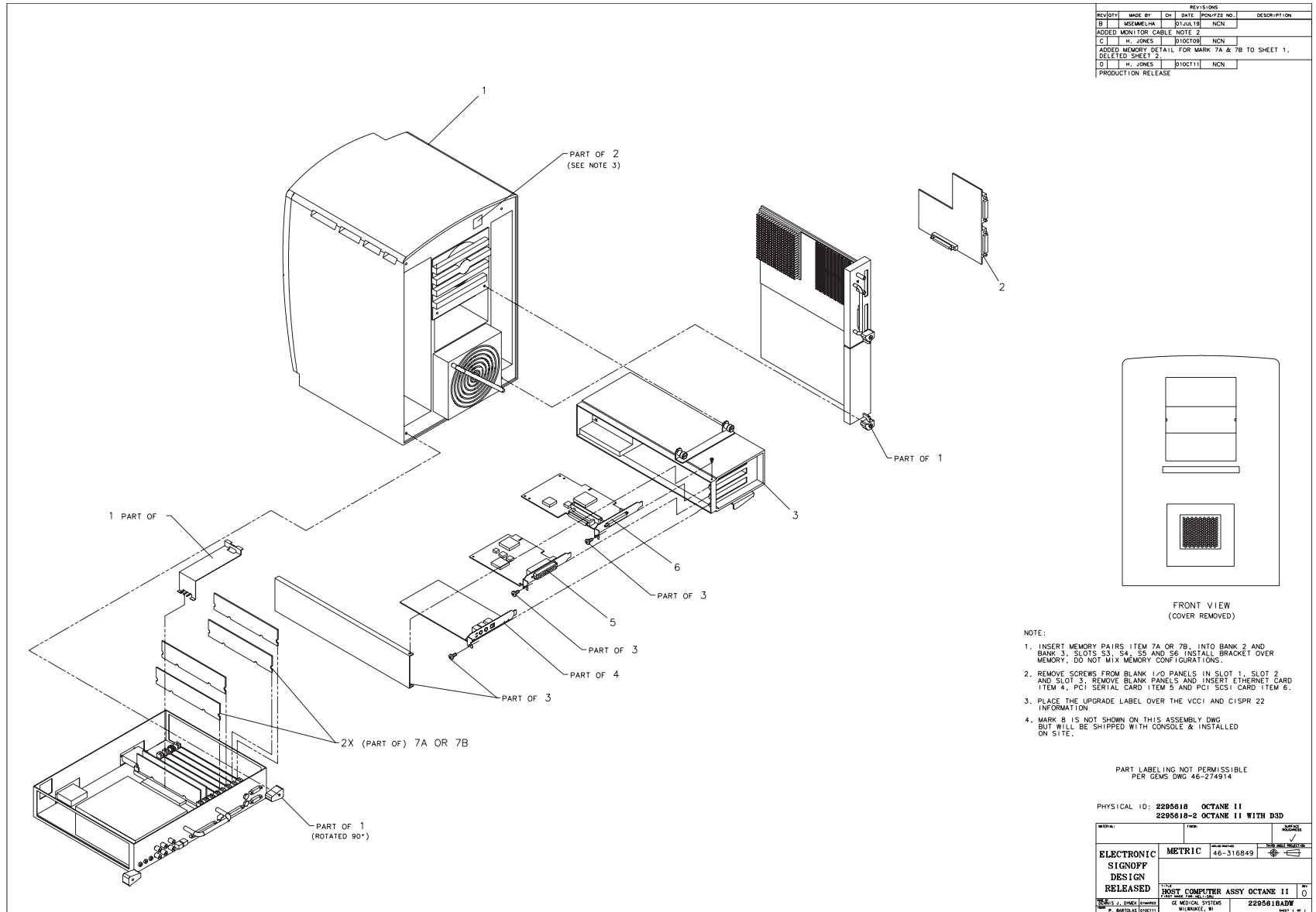


Figure 6-22 Octane2 Computer Assembly (2295618, sheet 1, rev 0)

FRU = NO

USED ON:
23204732

MARK	NUMBER	QTY	FRU	DESCRIPTION
5	2282000	1.000	Yes	PCI 4 PORT SERIAL CARD
7	2199806-8	2.000	Yes	MEMORY, 2X256MB, LOW PROF
7A	2280645-2	ALT	Yes	512MB MEMORY KIT, KINGSTO
8	2304737-2	2.000	Yes	CABLE, DVI VIDEO CABLE -
1	2169940-76	1.000	No	CT OCTANE 2 BASE BUY LEVE
1A	2169940-61	ALT	No	CT LIGHTSPEED OCTANE II B {See Table 6-13 on page 499 for FRU}
2	2169940-63	1.000	No	DUAL CHANNEL DSPLY DAUGHT
3	2169940-7	1.000	No	OPTION PCI CARDCAGE
4	2169940-8	1.000	No	OPTION PCI ETHERNET CARD
6	2169940-9	1.000	No	OPTION PCI SCSI CARD

Table 6-11 Octane2 Computer Assembly (2295618 BOM, rev 1)

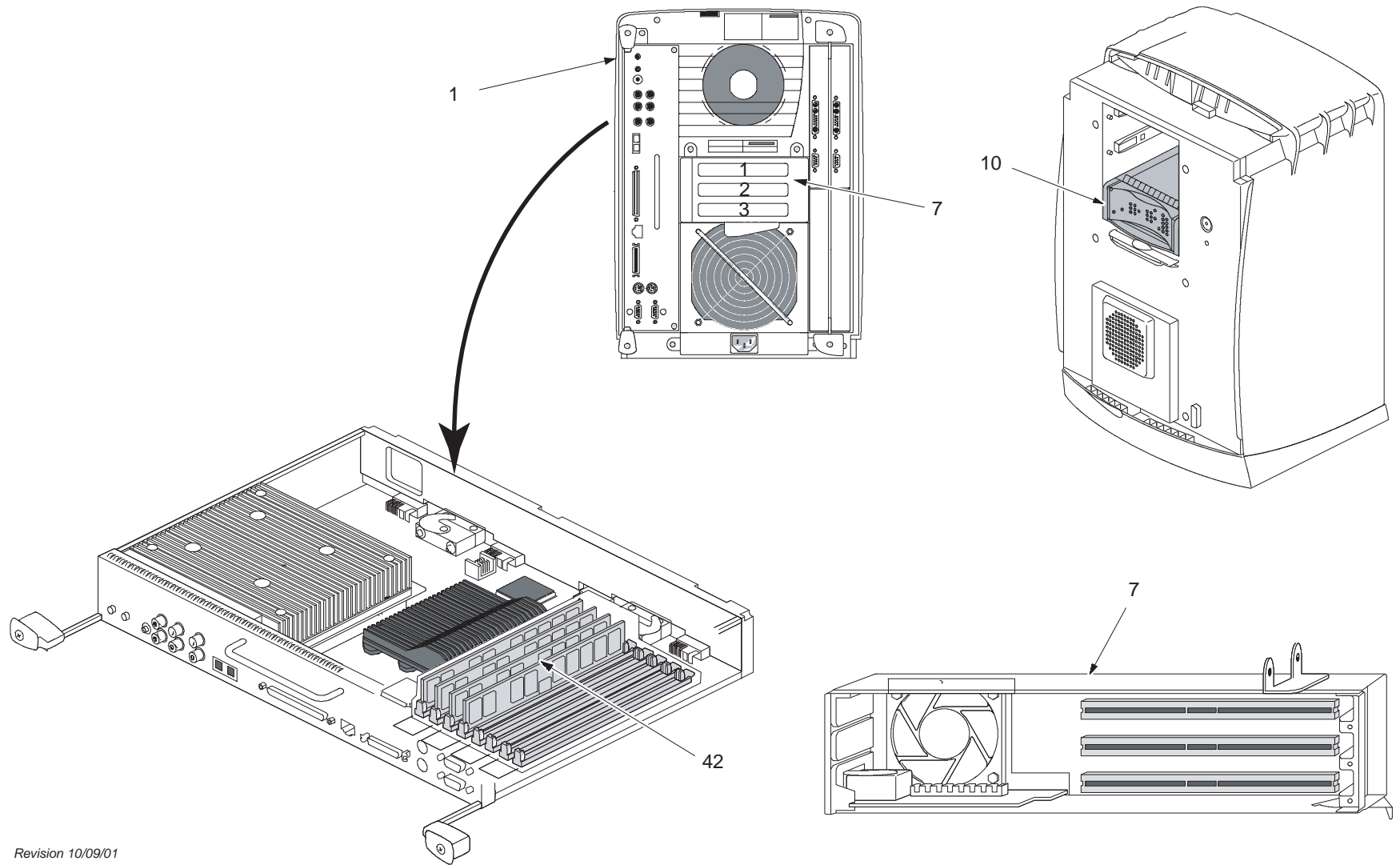
FRU = NO

USED ON:
2304732-2

MARK	NUMBER	QTY	FRU	DESCRIPTION
5	2282000	1.000	Yes	PCI 4 PORT SERIAL CARD
7A	2199806-8	2.000	Yes	MEMORY, 2X256MB, LOW PROF
7B	2280645-2	ALT	Yes	512MB MEMORY KIT, KINGSTO
8	2304737-2	2.000	Yes	CABLE, DVI VIDEO CABLE -
1	2169940-77	1.000	No	CT OCTANE 2 D3D BUY LEVE
1	2169940-62	ALT	No	CT D3D OPTION OCTANE II B {See Table 6-13 on page 499 for FRU}
2	2169940-63	1.000	No	DUAL CHANNEL DSPLY DAUGHT
3	2169940-7	1.000	No	OPTION PCI CARDCAGE
4	2169940-8	1.000	No	OPTION PCI ETHERNET CARD
6	2169940-9	1.000	No	OPTION PCI SCSI CARD

Table 6-12 Octane2 Computer Assembly (2295618-2 BOM, rev 1)

1.5 Octane2 Replacement Parts



Revision 10/09/01

Figure 6-23 Octane2 Replacement Parts (sheet 1, rev 10/09/01)

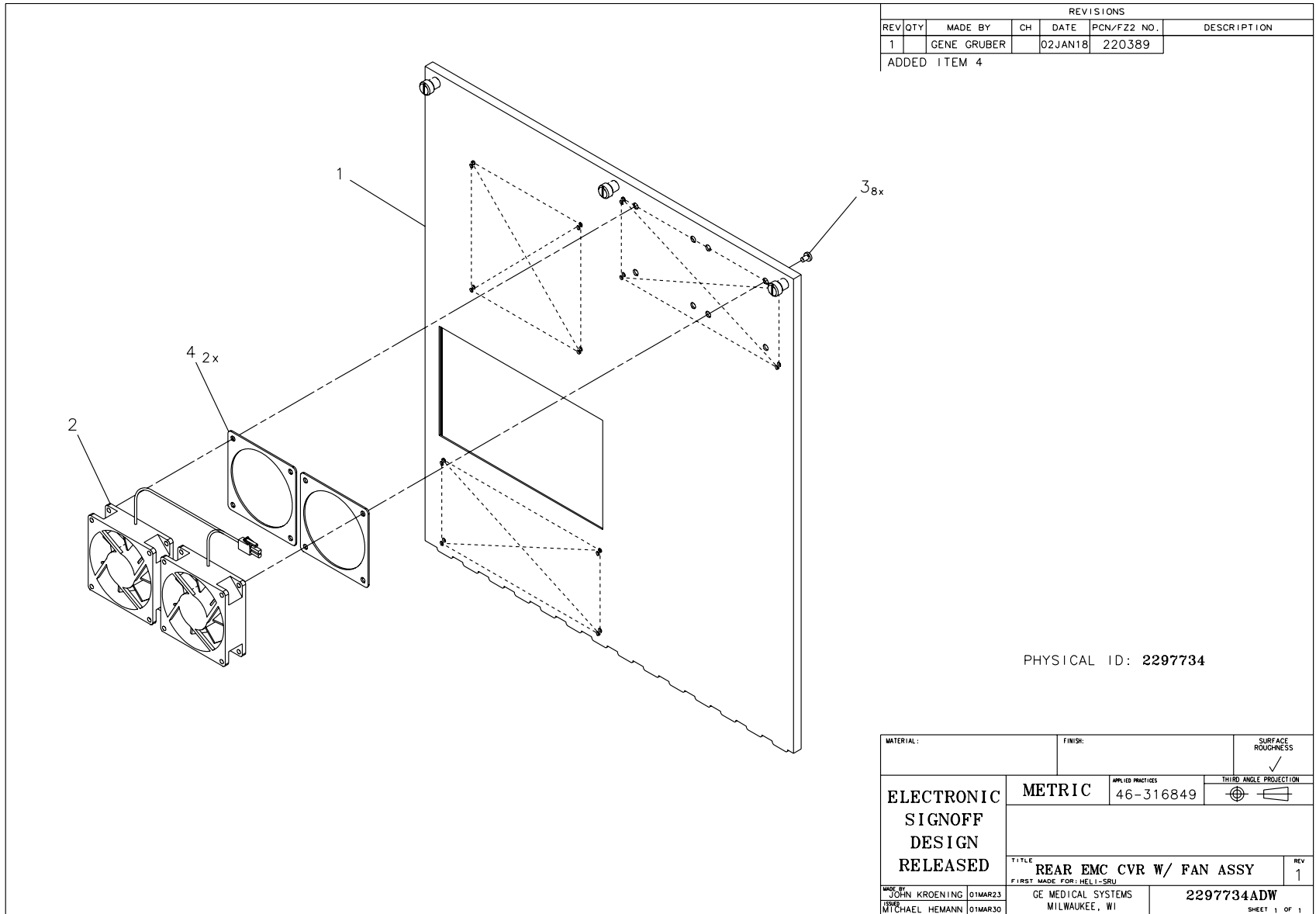
MARK	NUMBER	QTY	FRU	DESCRIPTION
1A	2300169	1	Yes	OCTANE II FRU, SINGLE PROC UNIT (T3202ED)
1B	2300169-2	ALT	Yes	OCTANE II FRU, DUAL PROC UNIT
7	2300173	1	Yes	CT PCI CARD CAGE ASSEMBLY
10	2169940-72	1	Yes	9GB DISK DRIVE (X2)
42	2199806-8	1	Yes	512MB MEMORY
—	2299217	1	Yes	DCD DDI TO VGA VIDEO CABLE

Table 6-13 Octane2 Replacement Parts

1.6 Rear EMC Cover w/Fan (2297734)

FRU = NO

USED ON:
 23204732,
 2304732-2



REVISIONS						
REV	QTY	MADE BY	CH	DATE	PCN/FZ2 NO.	DESCRIPTION
1		GENE GRUBER		02JAN18	220389	
ADDED ITEM 4						

PHYSICAL ID: 2297734

MATERIAL:		FINISH:		SURFACE ROUGHNESS	
ELECTRONIC SIGNOFF DESIGN RELEASED		METRIC		APR. 10 PRACTICES 46-316849	
TITLED		REAR EMC CVR W/ FAN ASSY		REV 1	
MADE BY JOHN KROENING 01MAR23		GE MEDICAL SYSTEMS MILWAUKEE, WI		2297734ADW	
DRAWN BY MICHAEL HEMANN 01MAR30				SHEET 1 OF 1	

Figure 6-24 Rear EMC Cover w/Fan Assembly (2297734, sheet 1, rev 1)

MARK	NUMBER	QTY	FRU	DESCRIPTION
2	2297827	1.000	Yes	80X80X15 MM FAN ASSEMBLY
1	2190561	1.000	No	REAR EMC COVER - NEXGEN H
3	46-208897P16	8.000	No	SCREW
4	2325173	2.000	No	USER DRIVE FAN GASKET

Table 6-14 Rear EMC Cover w/Fan Assembly (2297734 BOM, rev 1)

1.7 Nexgen/Helios Console Sub-Assy (2169998)

FRU = NO

USED ON:
 2266832,
 2266832-2,
 23204732,
 2304732-2

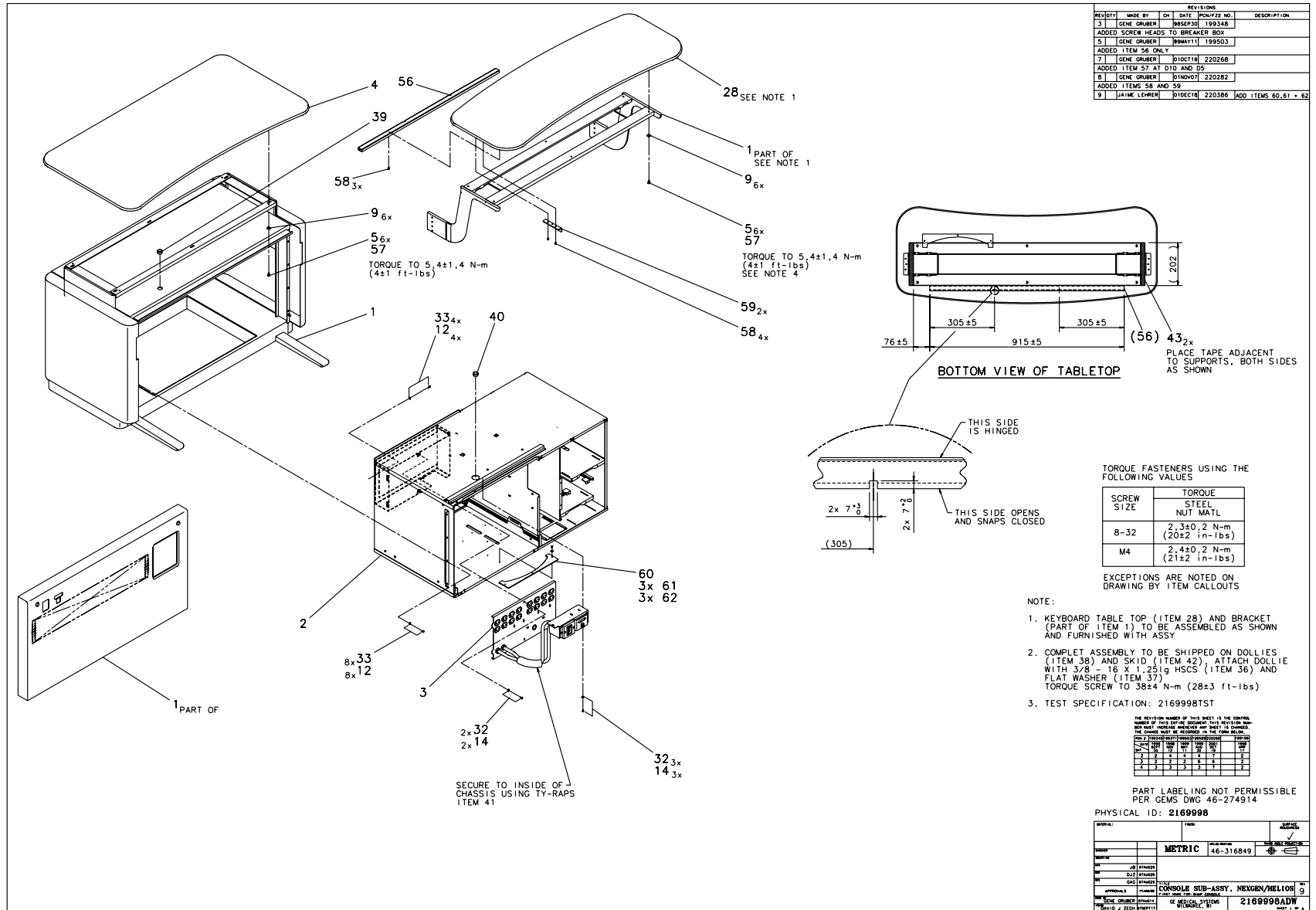


Figure 6-25 Nexgen/Helios Console Sub-Assy (2169998, sheet 1, rev 9)

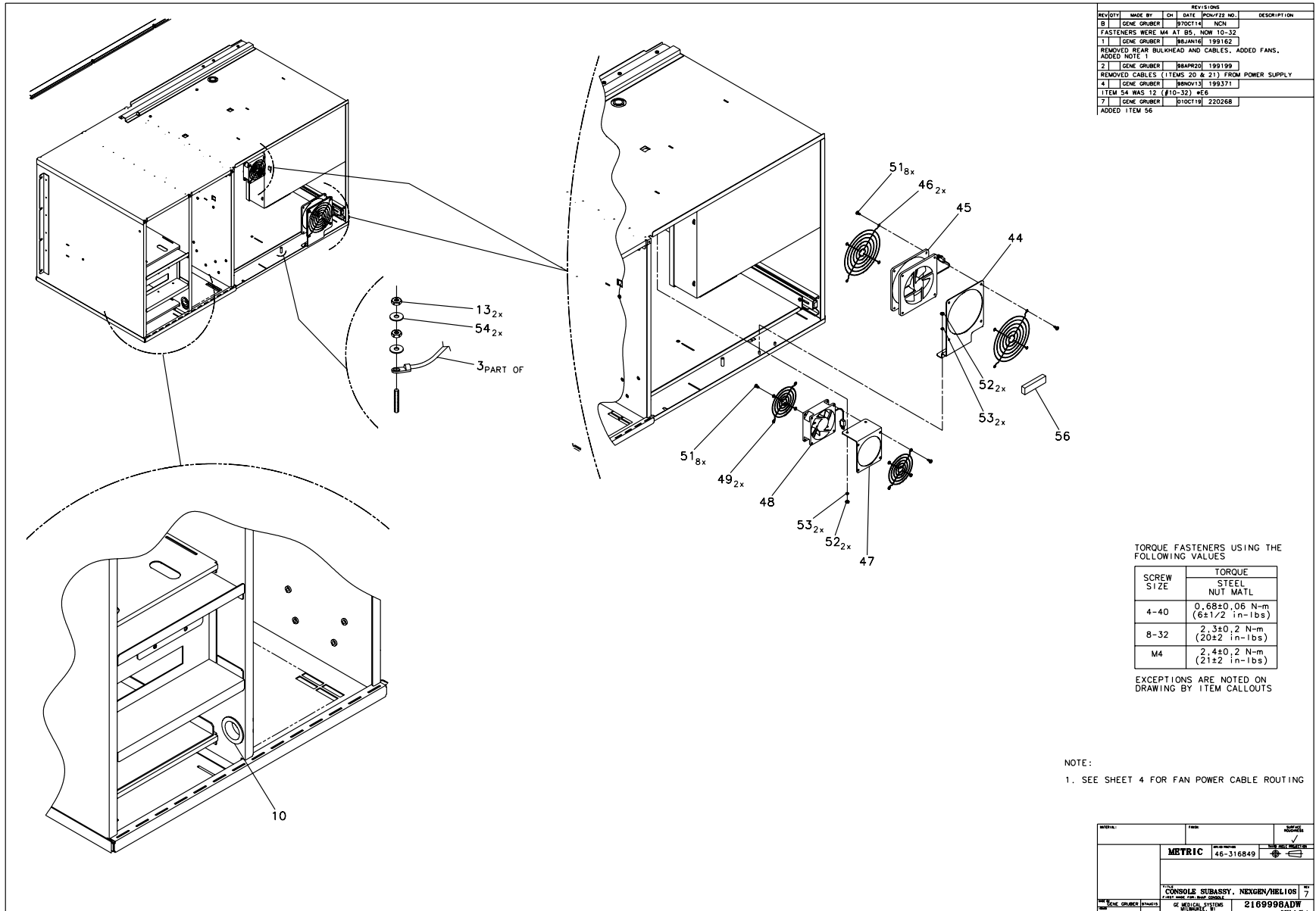


Figure 6-26 Nexgen/Helios Console Sub-Assy (2169998, sheet 2, rev 7)

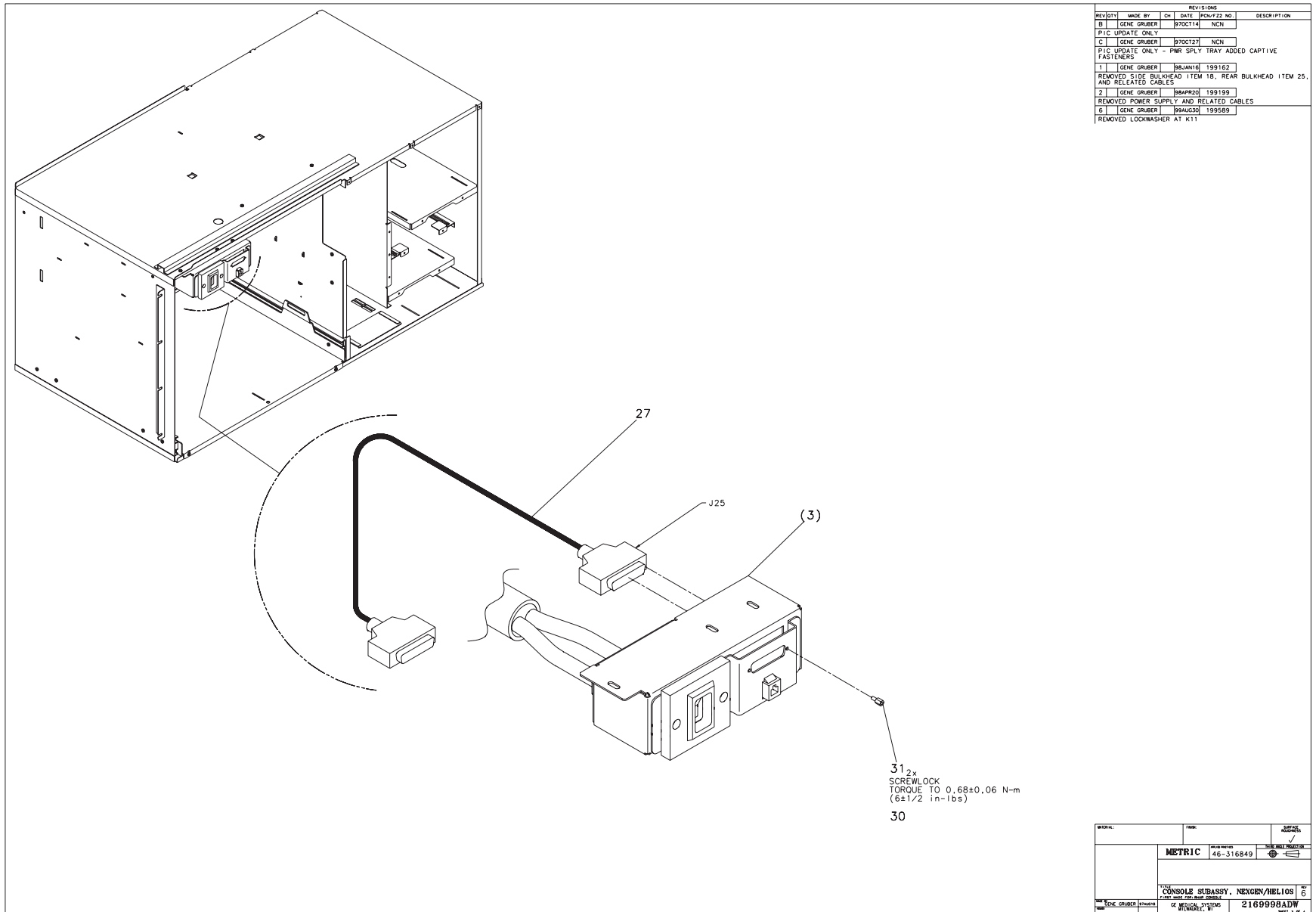


Figure 6-27 Nexgen/Helios Console Sub-Assy (2169998, sheet 3, rev 6)

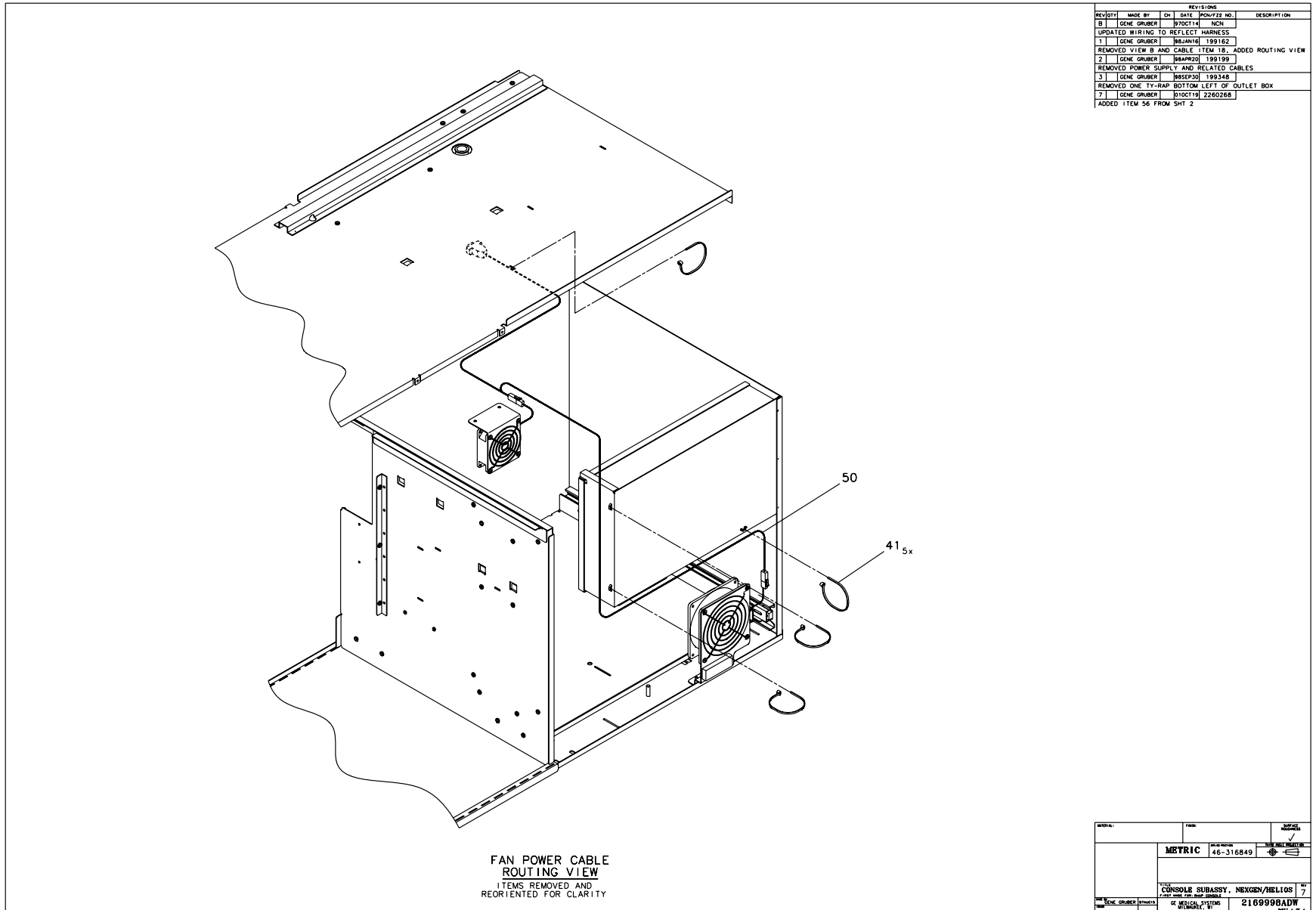


Figure 6-28 Nexgen/Helios Console Sub-Assy (2169998, sheet 4, rev 7)

MARK	NUMBER	QTY	FRU	DESCRIPTION/NAME
4	2169593	1.000	Yes	CR RHAPSODE MONITOR TABLE
10	46-208695P73	1.000	Yes	HEYCO PART NO. 2198 SB-12
27	2191429	1.000	Yes	NEXGEN CABLE FROM COMPUTE
28	2169593-2	1.000	Yes	CR RHAPSODE KEYBOARD TABL
30	46-170686P3	AR	Yes	LOCTITE 242, 50CC
38	2150525	2.000	Yes	CT RHAPSODE DOLLY
45	2141473	1.000	Yes	12VDC FAN WITH CONNECTOR
46	46-403307P1	2.000	Yes	FAN ACCESSORIES FINGER GU
48	2196381	1.000	Yes	FAN AND CONNECTOR
49	2196974	2.000	Yes	FAN ACCESSORIES FINGER GU
50	2208553	1.000	Yes	FAN POWER EXTENSION CABLE
1	2169588	1.000	No	NEXGEN/HELIOS CABINET ASSEMBLY {For further detail, see Section 1.7.1 , beginning on page 508.}
2	2170651	1.000	No	NEXGEN/HELIOS CONSOLE CHA
3	2174159	1.000	No	OUTLET BOX ASSEMBLY {For further detail, see Section 1.7.2 , beginning on page 512.}
5	46-170015P38	12.000	No	SCREW
9	12-275	12.000	No	WASHER, ID .2656, OD.75,
12	46-220205P11	12.000	No	#10 .219 ID, .500 O.D. .0
13	46-170012P40	2.000	No	1/4-20 HEX 7/16 NUT THK
14	46-328431P1	5.000	No	WASHER PLAIN - LARGE 4.3 MM 12 MM
31	46-221417P5	1.000	No	FEMALE SCREWLOCKS FOR HD
32	2103585	5.000	No	SCREW PAN HEAD 4 MM 8 MM
33	46-170015P6	12.000	No	SCREW
34	2169998TST	1.000	No	NEXGEN/HELIOS CONSOLE SUB
36	46-170498P48	4.000	No	SCREW
37	46-220205P2	4.000	No	ID 0.375 OD 0.875 THK
39	46-208695P76	1.000	No	HEYCO PART NO.2211 SB-137

Table 6-15 Nexgen/Helios Console Sub-Assy (2169998 BOM, rev 10)

MARK	NUMBER	QTY	FRU	DESCRIPTION/NAME
40	46-208695P75	1.000	No	HEYCO NO.2210 SB-1375-16
41	46-208758P2	6.000	No	5.5" X .140" SELF-LOCKING
42	2154226	1.000	No	RAPSODE CONSOLE SHIPPING
43	46-170108P1	AR	No	DBL COAT NEOPRENE, CLOSED
44	2208538	1.000	No	FAN MOUNTING BRACKET-LOWE
47	2208540	1.000	No	FAN MOUNTING BRACKET-UPPE
51	46-208897P16	16.000	No	SCREW
52	46-328425P1	4.000	No	NUT HEXAGON 4 MM
53	46-328432P2	4.000	No	WASHER LOCK - SPRING 4.1 MM 7.6 MM
54	12-281	2.000	No	ID 0.2813 OD 0.625 THK .
55	2241388	1.000	No	SURFACE RACEWAY 3 FEET
56	2307744	1.000	No	KEYBOARD SHELF SPPT BKT
57	46-170684P3	AR	No	LOCTITE 271, 50ML BOTTLE
58	2315554	7.000	No	DOUBLE THREADED SCREW SIZ
59	2307744	2.000	No	KEYBOARD SHELF SPPT BKT
60	2318465	1.000	No	OCTANE MNTG PLATE
61	2103585-2	3.000	No	SCREW PAN HEAD 4 MM 10 MM
62	46-328431P1	3.000	No	WASHER PLAIN - LARGE 4.3

Table 6-15 Nexgen/Helios Console Sub-Assy (2169998 BOM, rev 10) (Continued)

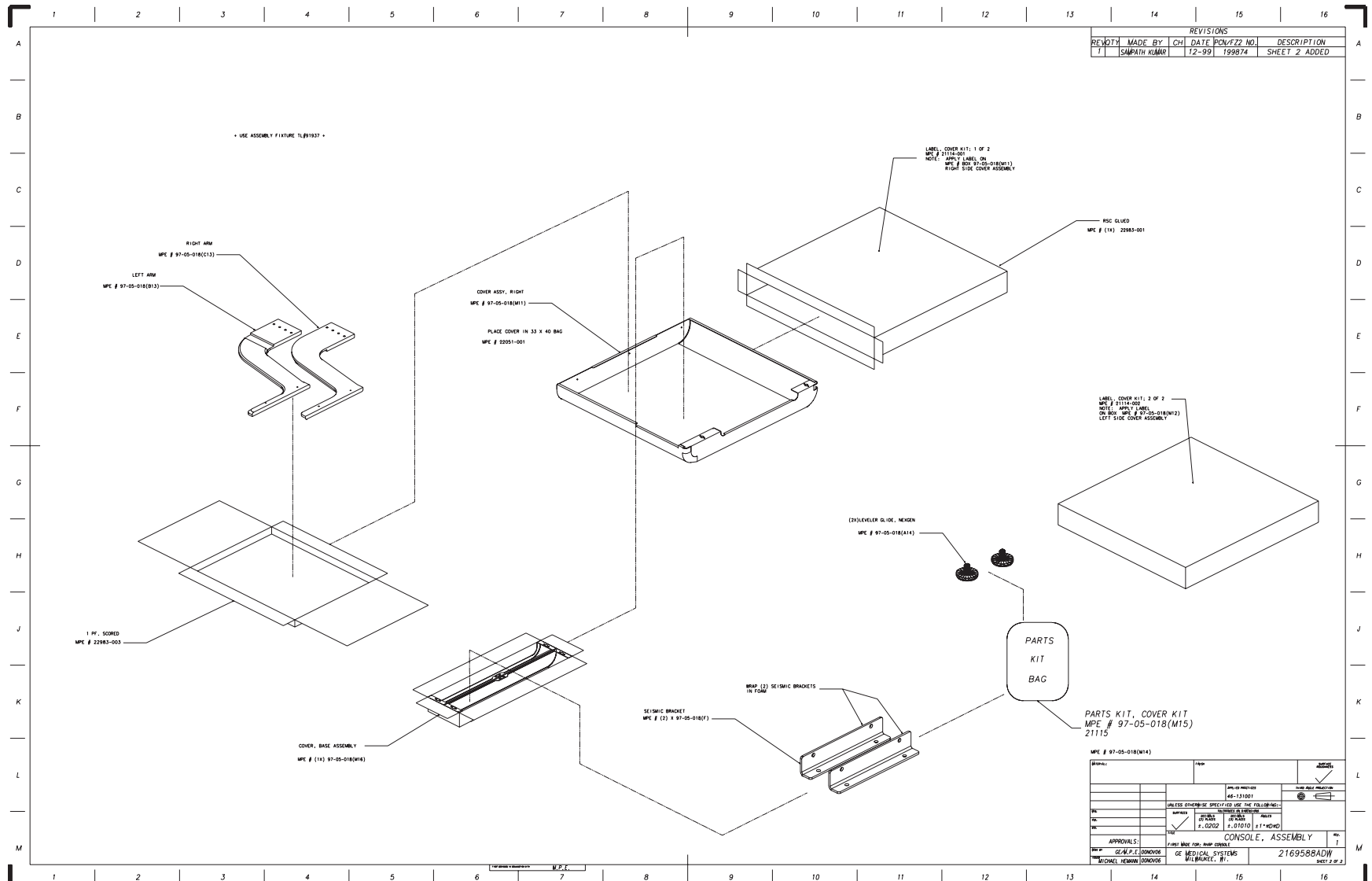


Figure 6-30 Cabinet Assembly (2169588, sheet 2, rev 1)

MARK	NUMBER	QTY	FRU	DESCRIPTION/NAME
1	2138395	1	2	RHAPSODE CONSOLE RIGHT SIDE PANEL
2	2138395-2	1	2	RHAPSODE CONSOLE LEFT SIDDE PANEL
3	2138394	2	2	RHAPSODE CONSOLE LOWER BASE COVER
4	2173114	1	2	NEXGEN/HELIOS CONSOLE FRONT
6	2138390	2	2	RHAPSODE CONSOLE STABILIZER FOOT
7	2138388	2	2	RHAPSODE CONSOLE MONITOR TABLE BRACKET
9	2200318	1	2	KEYBRD TBLTOP BRACE WITH LATCH
10	2144080	2	2	RHAPSODE CONSOLE SEISMIC / SHIP BRKT
11	2173113	2	2	CR-CT/I MONITOR TABLE TOP BRACE
5	2283157	1	No	REAR ACCESS PANEL, CONSOLE
8	2144033	1	No	RHAPSODE CONSOLE FRAME

Table 6-16 Cabinet Assembly (2169588 BOM, rev 1)

This Page Intentionally Blank.

1.7.2 Outlet Box Assembly (2174159)

FRU = NO

USED ON:
2169998

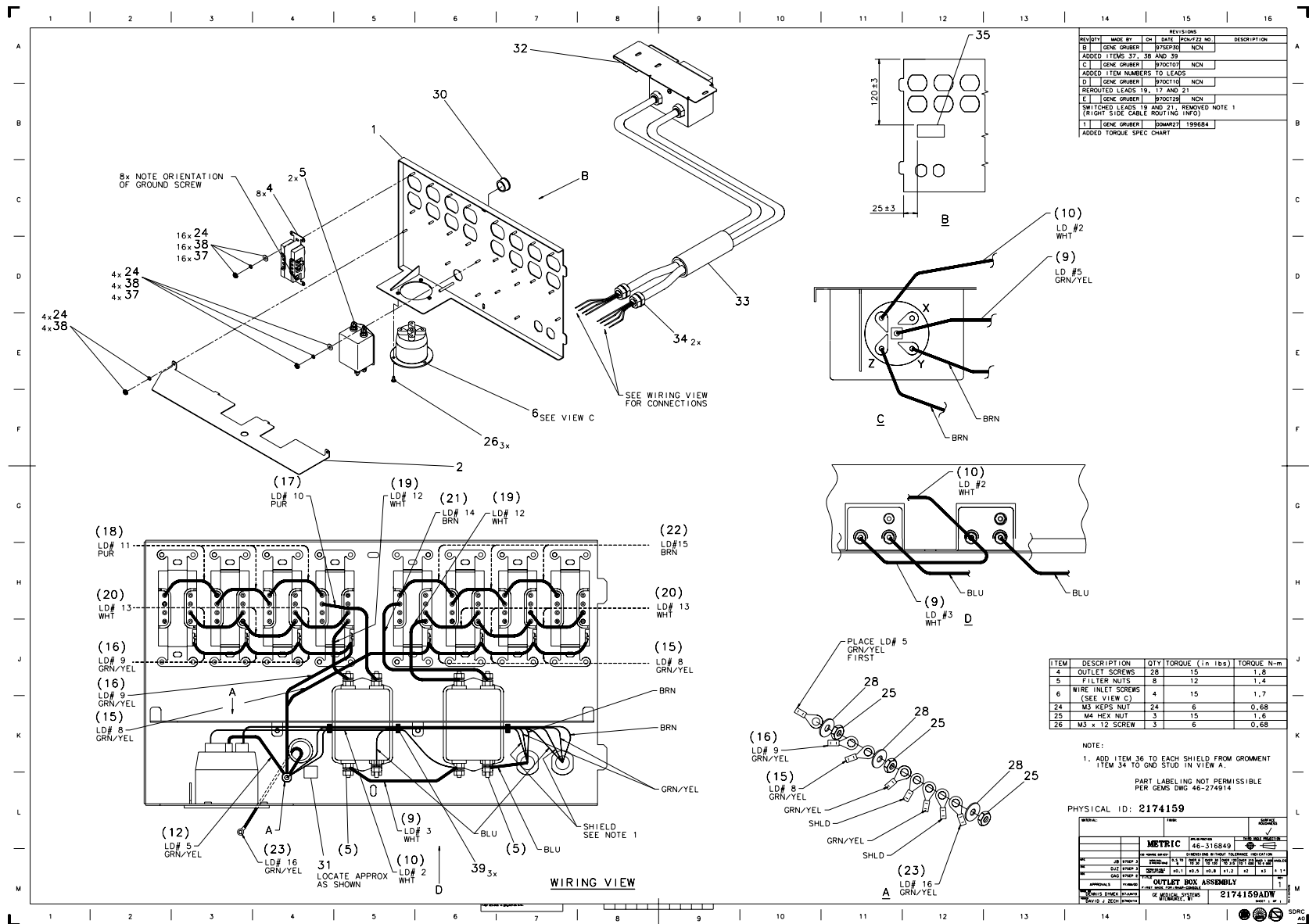


Figure 6-31 Outlet Box Assembly (2174159, sheet 1, rev 1)

MARK	NUMBER	QTY	FRU	DESCRIPTION/NAME
4	46-278446P1	8.000	Yes	15A, 125VAC, 2 POLE, 3 WI
5	46-297335P3	2.000	Yes	16A, 250V 2-STAGE PWR LIN
6	46-327213P1	1.000	Yes	AMPS 30 VOLTS 120/208 5 W
30	46-208695P61	1.000	Yes	HEYCO PART NO.2126 SB-87
1	2172419	1.000	No	OUTLET BOX COVER
2	2173324	1.000	No	DIVIDER - OUTLET BOX
9	2200241-3	1.000	No	WIRE DATA FOR NEXGEN OUTL
10	2200241-2	1.000	No	WIRE DATA FOR NEXGEN OUTL
12	2200241-5	1.000	No	WIRE DATA FOR NEXGEN OUTL
15	2200241-8	1.000	No	WIRE DATA FOR NEXGEN OUTL
16	2200241-9	1.000	No	WIRE DATA FOR NEXGEN OUTL
17	2200241-10	1.000	No	WIRE DATA FOR NEXGEN OUTL
18	2200241-11	3.000	No	WIRE DATA FOR NEXGEN OUTL
19	2200241-12	2.000	No	WIRE DATA FOR NEXGEN OUTL
20	2200241-13	6.000	No	WIRE DATA FOR NEXGEN OUTL
21	2200241-14	1.000	No	WIRE DATA FOR NEXGEN OUTL
22	2200241-15	3.000	No	WIRE DATA FOR NEXGEN OUTL
23	2200241-16	1.000	No	WIRE DATA FOR NEXGEN OUTL
24	46-328425P10	24.000	No	NUT HEXAGON 3 MM
25	46-328425P1	3.000	No	NUT HEXAGON 4 MM
26	46-312358P30	3.000	No	M3 X 0.5 X 12MM METRIC FR
28	46-328430P2	3.000	No	WASHER PLAIN - NORMAL 4.3
31	46-271110P1	1.000	No	LABEL, PROTECTIVE EARTH (
32	2190750	1.000	No	CONSOLE POWER - NEXGEN HE {For further detail, see "Breaker Box Assembly (2190750)," on page 516.}
33	46-313024P5	1.000	No	
34	46-208697P57	2.000	No	HEYCO PART NO.1247 SR-7W

Table 6-17 Outlet Box Assembly (2174159 BOM, rev 0)

MARK	NUMBER	QTY	FRU	DESCRIPTION/NAME
35	2150839	1.000	No	CAUTION RECEPTACLES NOT F
36	46-313024P2	AR	No	
37	46-311804P2	20.000	No	3.2X9X.8 ZP ST DIN
38	46-311805P10	24.000	No	HELICAL LOCK WASHER
39	46-208758P2	3.000	No	5.5" X .140" SELF-LOCKING

Table 6-17 Outlet Box Assembly (2174159 BOM, rev 0) (Continued)

This Page Intentionally Blank.

Breaker Box Assembly (2190750)

FRU = NO

USED ON:
 2174159

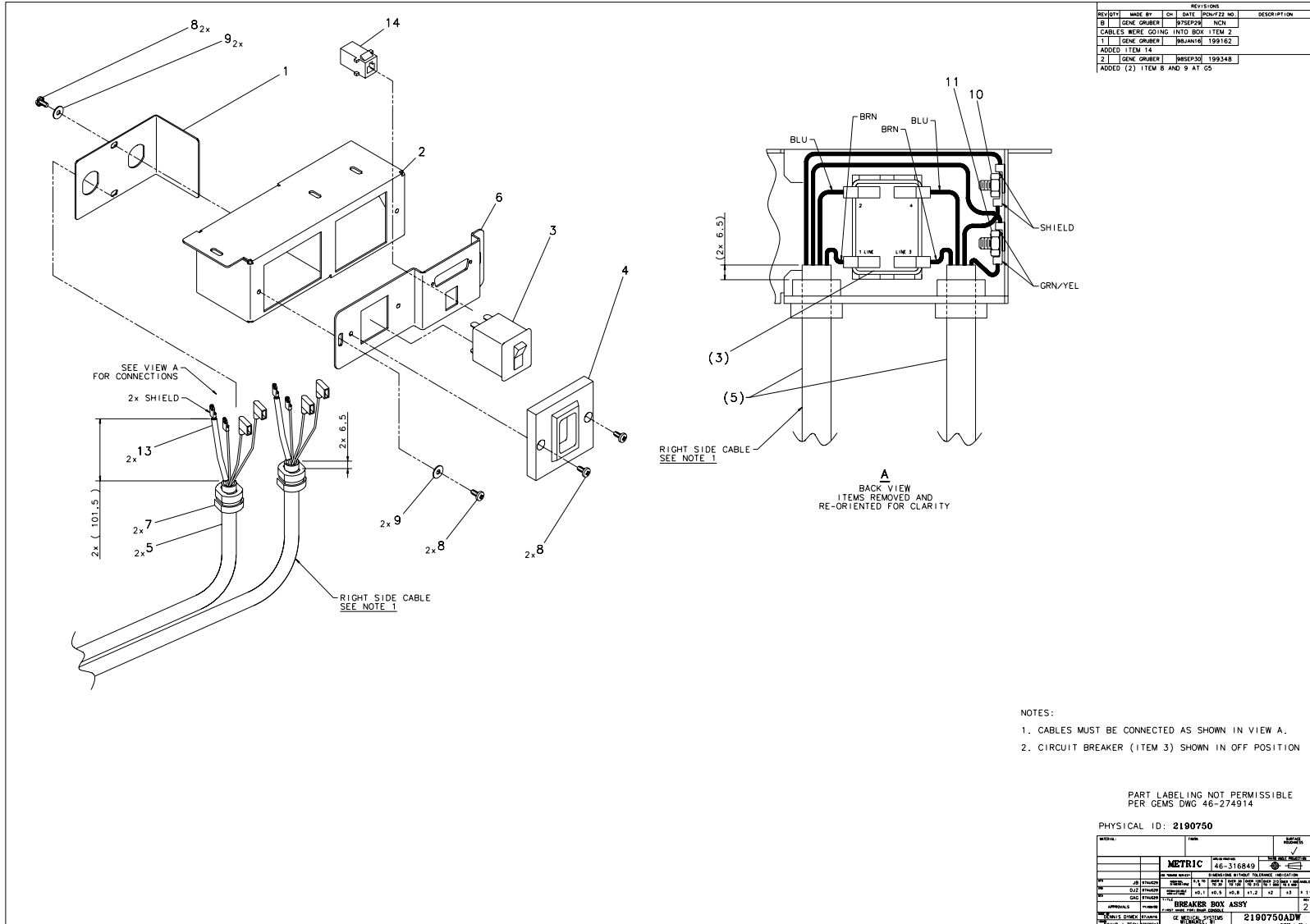


Figure 6-32 Breaker Box Assembly (2190750, Sheet 1, rev 2)

MARK	NUMBER	QTY	FRU	DESCRIPTION/NAME
3	2150833	1	Yes	BREAKER SWITCH
5	2200242	2	Yes	POWER CABLE FROM OUTLET B
11	46-170012P39	1	Yes	10-32, 3/8" HEX KEPS NUT,
1	2200158	1	No	BREAKER BOX COVER PLATE
2	2200159	1	No	FRONT CIRCUIT BREAKER BOX
4	2150830	1	No	POWER BREAKER BEZEL
6	2190749	1	No	CIRCIUT BREAKER MOUNTING
7	46-208697P57	2	No	HEYCO PART NO.1247 SR-7W
8	46-328430P2	6	No	WASHER PLAIN - NORMAL 4.3
9	2103585	4	No	SCREW PAN HEAD 4 MM 8 MM
10	46-328425P1	1	No	NUT HEXAGON 4 MM
13	46-313024P2	AR	No	
14	2108900	1	No	CONNECTOR 8 CONTACTS 150

Table 6-18 Breaker Box Assembly (2190750 BOM, rev 3)

1.8 Removable Card Cage Assembly (2190506)

FRU = NO

USED ON:
 2266832,
 2266832-2,
 23204732,
 2304732-2

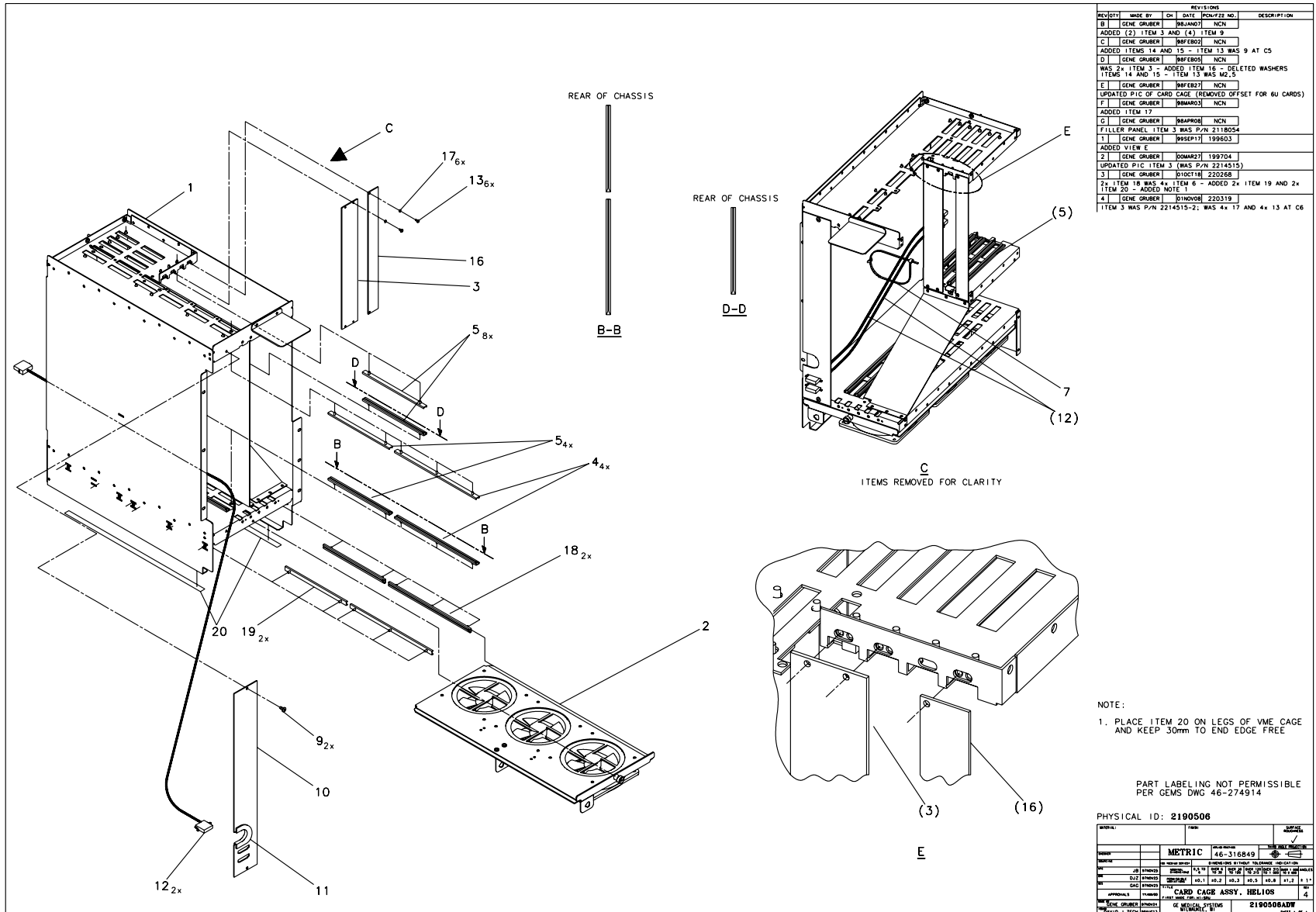


Figure 6-33 Removable Card Cage Assembly (2190506, sheet 1, rev 4)

MARK	NUMBER	QTY	FRU	DESCRIPTION/NAME
4	46-221513P7	4.000	Yes	CLAMP OR CLIP
5	46-221513P3	12.000	Yes	CLAMP OR CLIP
6	46-296128P2	4.000	Yes	CARD GUIDE_9U
12	2141472	2.000	Yes	DRIVE POWER EXTENSION
1	2190507	1.000	No	REMOVEABLE CARD CAGE - HE
2	2190504	1.000	No	REM CARD CAGE FAN ASSY-NE {For further detail, see "NexGen Fan Assembly (2190504)," on page 520.}
3	2280020	1.000	No	PANEL, FILLER - PEGASUS
7	46-208758P2	1.000	No	5.5" X .140" SELF-LOCKING
9	2103585	2.000	No	SCREW PAN HEAD 4 MM 8 MM
10	2141475	1.000	No	RHAP CONSOLE VME FILLER P
11	46-220178P10	AR	No	GROMMET
13	46-328421P5	6.000	No	SCREW PAN HEAD 2.5 MM 8 M
16	2210165	1.000	No	FILLER PANEL - HELIOS CAR
17	46-328432P1	6.000	No	WASHER LOCK - SPRING 2.6 MM 5.1 MM
18	46-221513P7	2.000	No	CLAMP OR CLIP
18	46-221513P3	2.000	No	CLAMP OR CLIP
19	46-170108P1	AR	No	DBL COAT NEOPRENE, CLOSED

Table 6-19 Removable Card Cage Assembly (2190506 BOM, rev 3)

NexGen Fan Assembly (2190504)

FRU = NO

USED ON:
 2190506

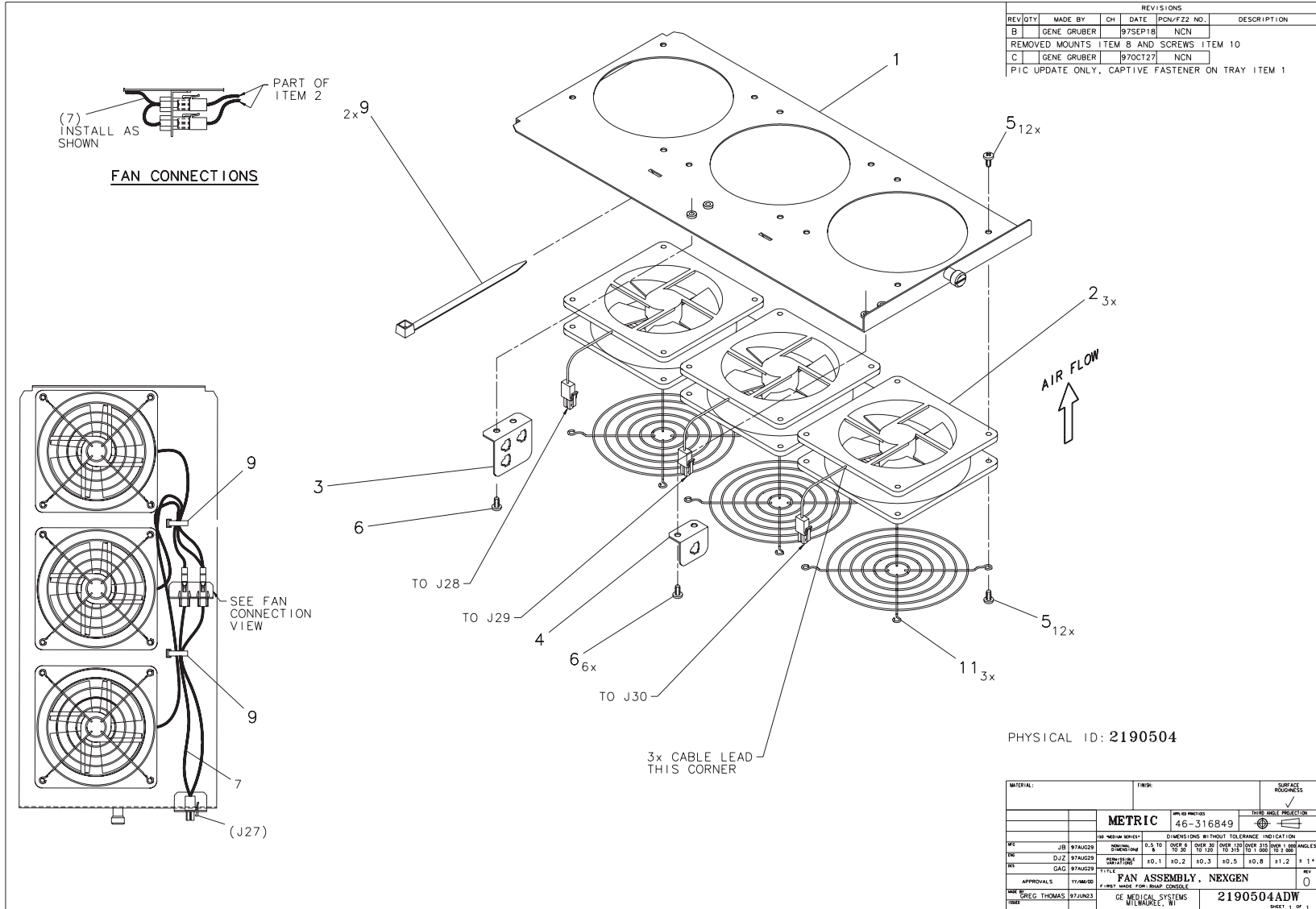


Figure 6-34 NexGen Fan Assembly (2190504, Sheet 1, rev 0)

MARK	NUMBER	QTY	FRU	DESCRIPTION/NAME
2	2141473	3	Yes	12VDC FAN WITH CONNECTOR
7	2141467	1	Yes	FAN DISTRIBUTION
11	46-403307P1	3	Yes	FAN ACCESSORIES FINGER GU
1	2190512	1	No	FAN MOUNTING BRACKET-REM
3	2140987	1	No	CONSOLE,3 CONNECTOR FAN B
4	2140988	1	No	CONSOLE,SINGLE CONN. BRKT
5	46-208897P16	24	No	SCREW
6	2103585	4	No	SCREW PAN HEAD 4 MM 8 MM
9	46-208758P2	2	No	5.5" X .140" SELF-LOCKING

Table 6-20 NexGen Fan Assembly (2190504 BOM, rev 1)

1.9 Replacement Hardware (2214280)

MARK	NUMBER	QTY	FRU	DESCRIPTION/NAME
1	2142006	4.000	Yes	HEX SOC SCREW M2,5 X 16
2	2104490	4.000	Yes	NYLON WASHER KEYSTONE #33
3	2103585-2	4.000	Yes	SCREW PAN HEAD 4 MM 10 MM
4	46-328431P1	4.000	Yes	WASHER PLAIN - LARGE 4.3
5	46-170015P10	4.000	Yes	SCREW
6	46-170015P8	4.000	Yes	SCREW
7	46-328421P4	4.000	Yes	SCREW PAN HEAD 2.5 MM 6 M
8	46-328432P1	4.000	Yes	WASHER LOCK - SPRING 2.6

Table 6-21 Replacement Hardware Collector (2214280 BOM, rev 0)

This Page Intentionally Blank.

1.10 CR Intercom/Prescribed Tilt Circuit (2169590-2)

FRU = NO

USED ON:
 2266832,
 2266832-2,
 23204732,
 2304732-2

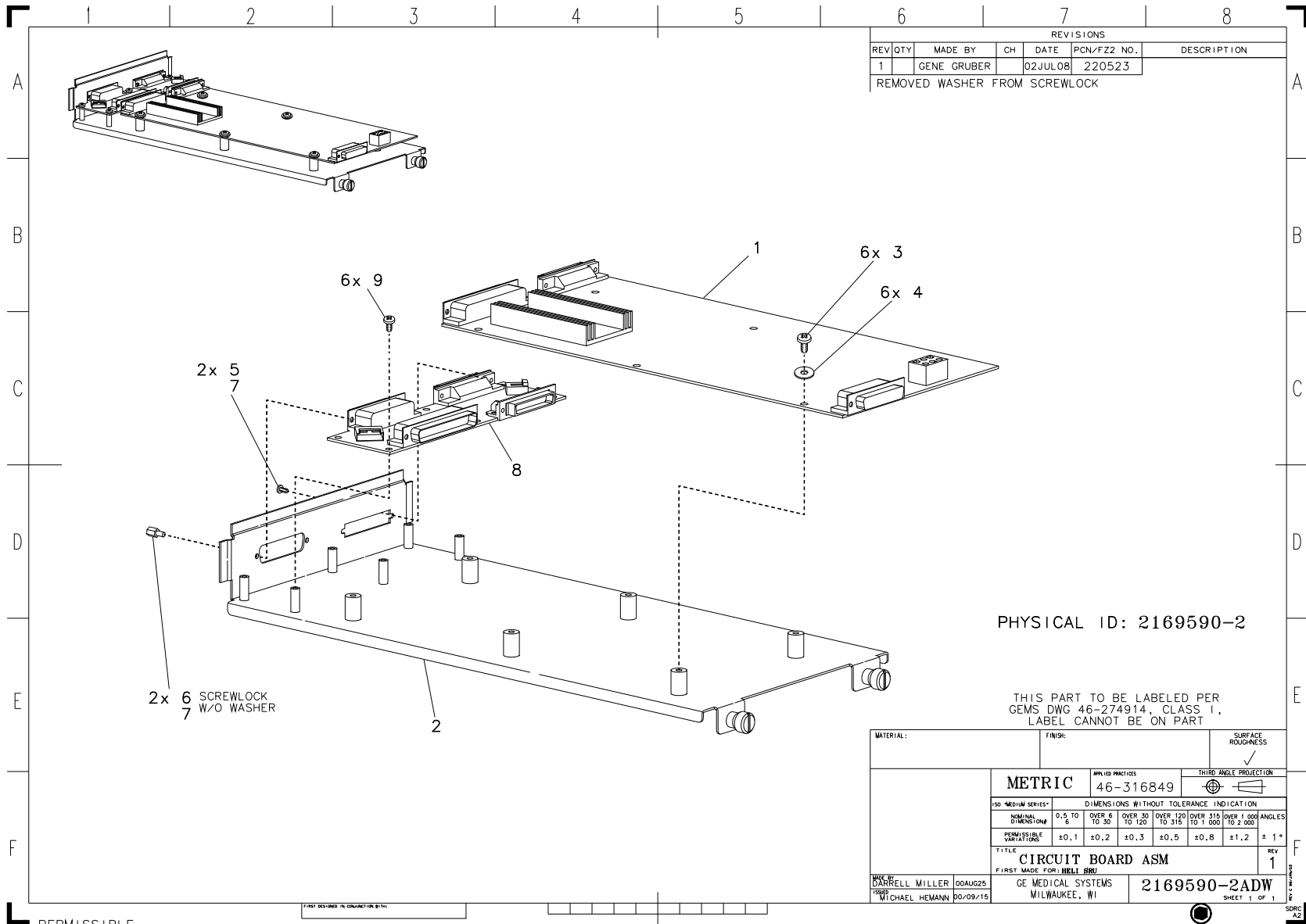


Figure 6-35 CR Intercom/Prescribed Tilt Circuit (2169590-2, sheet 1, rev 1)

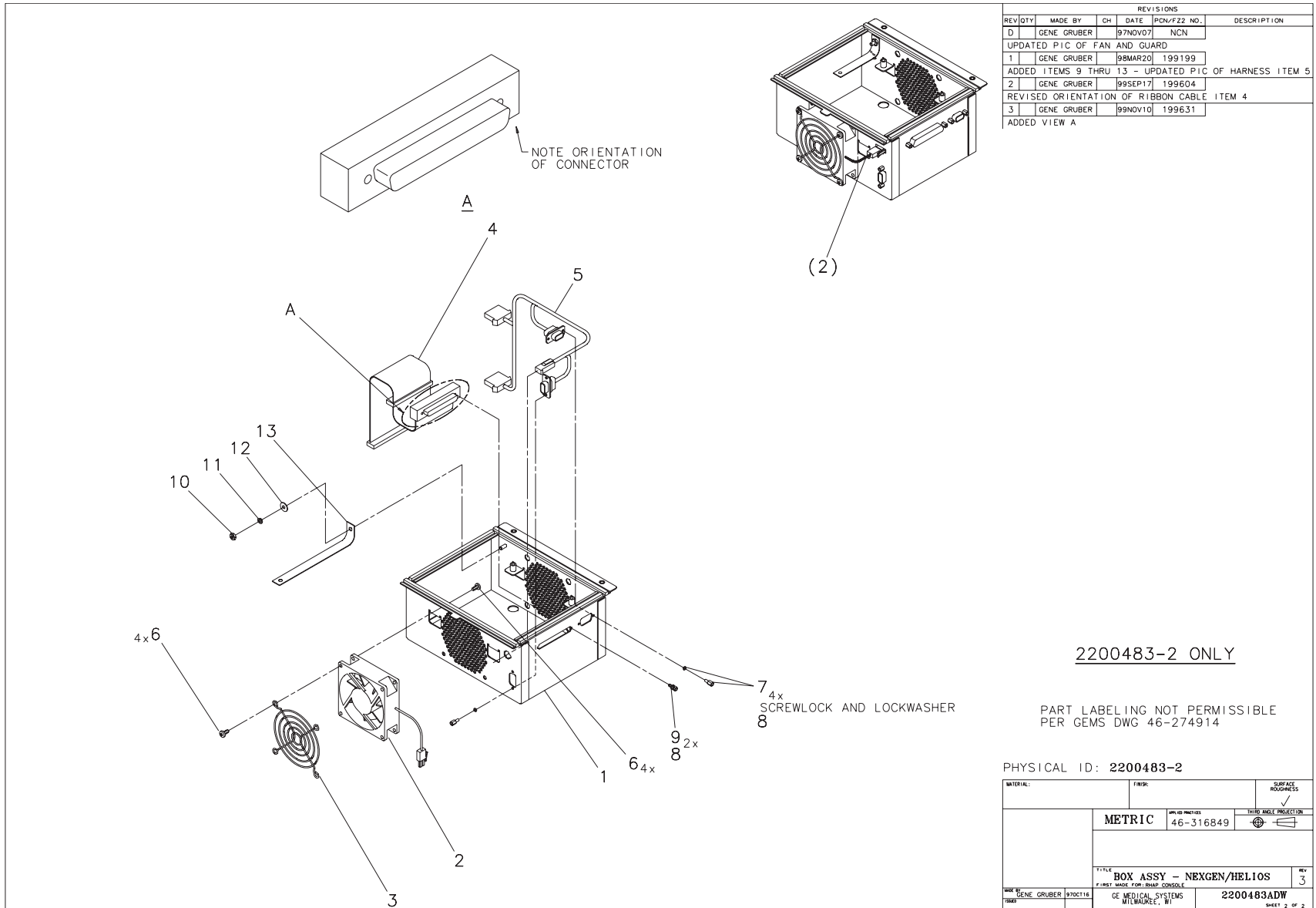
MARK	NUMBER	QTY	FRU	DESCRIPTION/NAME
1	2167014	1.000	Yes	RHAPSODE INTERCOM
3	46-208560P48	6.000	Yes	SCREW
4	1000904P279	6.000	Yes	ID 0.1910 OD 0.3125 THK
6	46-221417P4	1.000	Yes	FEMALE SCREWLOCKS FOR HD
8	2269601	1.000	Yes	PRESCRIBED TILT BOARD
9	46-170015P41	6.000	Yes	SCREW
2	2268979	1.000	No	BRACKET - CIRCUIT BOARD M
5	46-287187P4	2.000	No	SCREW, SLT HD FLT, 2.5 x 6.0 MM
7	46-170686P3	AR	No	LOCTITE 242, 50CC

Table 6-22 CR Intercom/Prescribed Tilt Circuit (2169590-2 BOM, rev 1)

1.11 Box Assy - Fan and Cables (2200483-2)

FRU = NO

USED ON:
 2266832,
 2266832-2



REVISIONS						
REV/DTY	MADE BY	CH	DATE	PCN/FZZ NO.	DESCRIPTION	
D	GENE GRUBER		97NOV07	NCN		
UPDATED PIC OF FAN AND GUARD						
1	GENE GRUBER		98MAR20	199199		
ADDED ITEMS 9 THRU 13 - UPDATED PIC OF HARNESS ITEM 5						
2	GENE GRUBER		99SEP17	199604		
REVISED ORIENTATION OF RIBBON CABLE ITEM 4						
3	GENE GRUBER		99NOV10	199631		
ADDED VIEW A						

2200483-2 ONLY

PART LABELING NOT PERMISSIBLE
 PER GEMS DWG 46-274914

PHYSICAL ID: 2200483-2

MATERIAL:	FINISH:	SURFACE ROUGHNESS	
		<input checked="" type="checkbox"/> 125 <input type="checkbox"/> 63 <input type="checkbox"/> 32 <input type="checkbox"/> 16 <input type="checkbox"/> 8 <input type="checkbox"/> 4 <input type="checkbox"/> 2 <input type="checkbox"/> 1 <input type="checkbox"/> 0.5 <input type="checkbox"/> 0.25 <input type="checkbox"/> 0.125 <input type="checkbox"/> 0.063 <input type="checkbox"/> 0.032 <input type="checkbox"/> 0.016 <input type="checkbox"/> 0.008 <input type="checkbox"/> 0.004 <input type="checkbox"/> 0.002 <input type="checkbox"/> 0.001	
METRIC		ASME Y14.5M	DATE MILL PROJECTION
		46-316849	<input checked="" type="checkbox"/> FIRST ANGLE <input type="checkbox"/> THIRD ANGLE
TITLE BOX ASSY - NEXGEN/HELIOS			REV 3
DATE 09/02/14	BY GENE GRUBER	GE MEDICAL SYSTEMS MILWAUKEE, WI	2200483ADW SHEET 2 OF 2

Figure 6-36 Box Assy - Fan and Cables (2200483-2, sheet 2, rev 3)

MARK	NUMBER	QTY	FRU	DESCRIPTION/NAME
2	2196381	1.000	Yes	FAN AND CONNECTOR
3	2196974	1.000	Yes	FAN ACCESSORIES FINGER GU
4	2174107	1.000	Yes	HELIOS HARD DR BOX TO HAR
5	2191458	1.000	Yes	NEXGEN HARNESS FROM HARD
1	2190536-2	1.000	No	HARD DRIVE ENCLOSURE HELI
6	46-208897P18	6.000	No	SCREW
7	46-221417P4	2.000	No	FEMALE SCREWLOCKS FOR HD
8	46-170686P3	AR	No	LOCTITE 242, 50CC
9	46-208560P53	2.000	No	SCREW
10	46-328425P1	1.000	No	NUT HEXAGON 4 MM
11	46-328432P2	1.000	No	WASHER LOCK - SPRING 4.1 MM 7.6 MM
12	46-328431P1	1.000	No	WASHER PLAIN - LARGE 4.3 MM 12 MM
13	2213190	1.000	No	HARD DRIVE BOX GROUND STR

Table 6-23 Box Assy - Fan and Cables (2200483-2 BOM, rev 0)

1.12 Fan Assembly for Power Supply (2294357)

FRU = YES

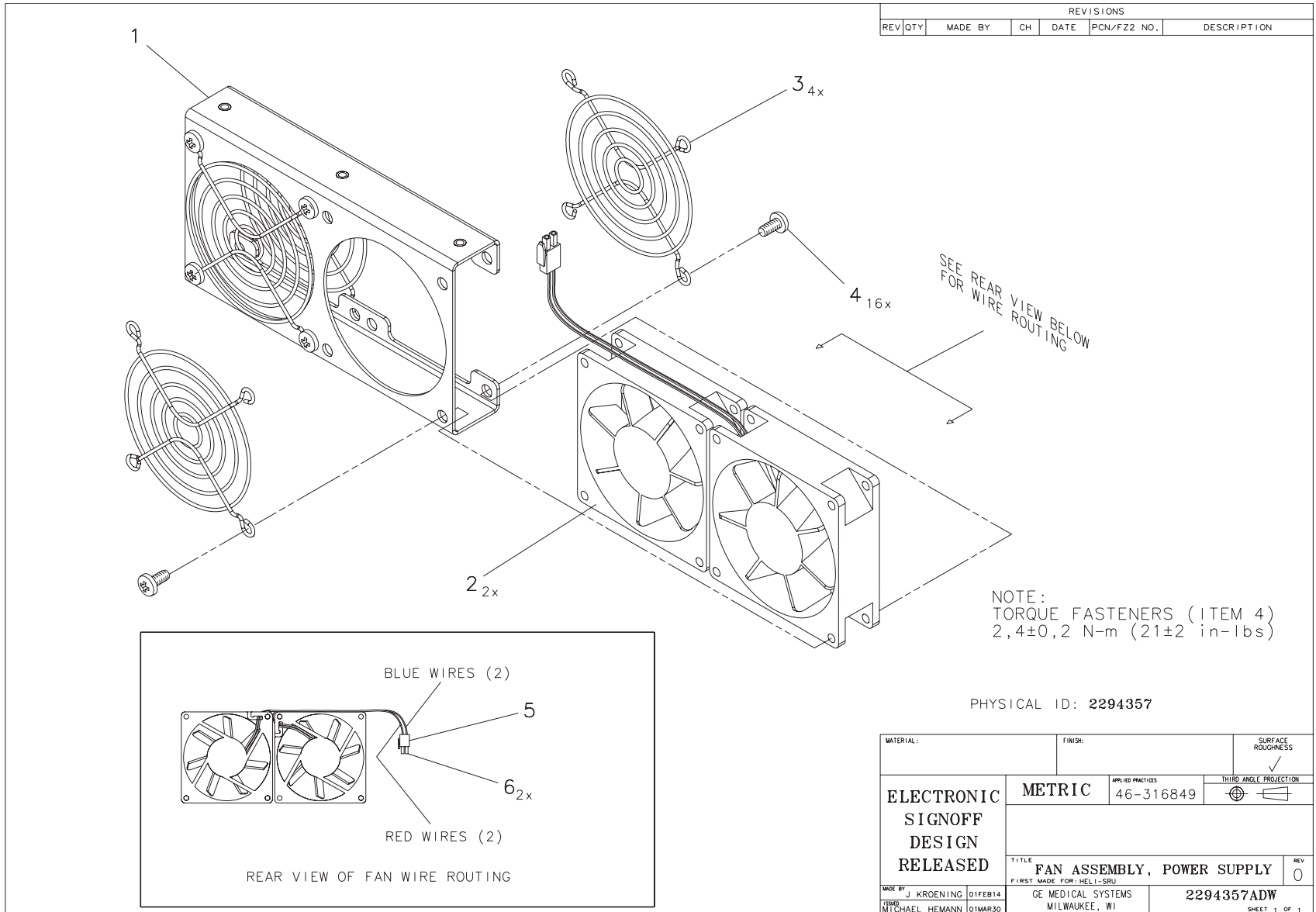


Figure 6-37 Fan Assembly for Power Supply (2294357, sheet 1, rev 0)

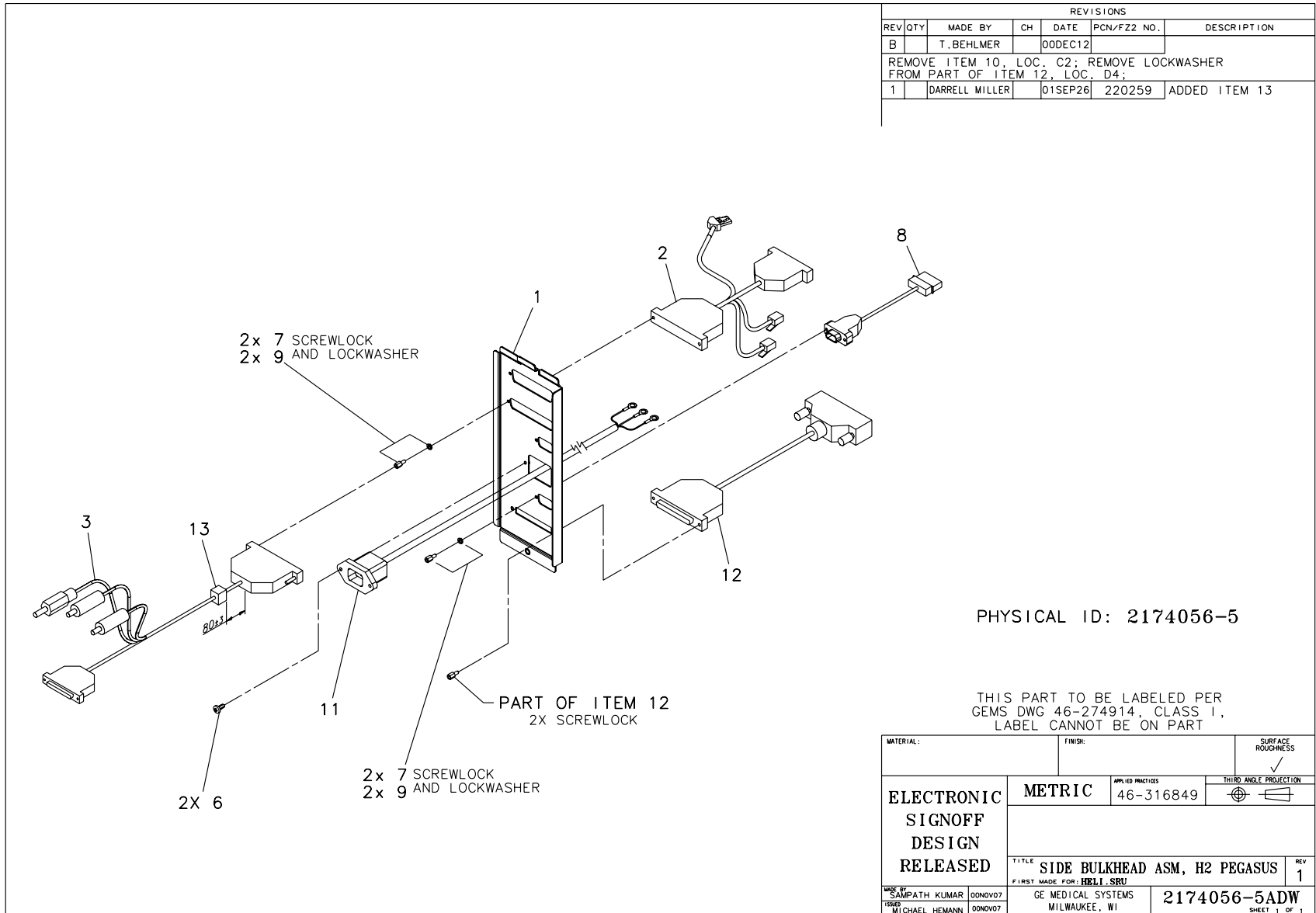
MARK	NUMBER	QTY	FRU	DESCRIPTION/NAME
1	2294356	1.000	No	BRACKET, DUAL 80 X 80 MM
2	2196972	2.000	No	FAN NEW TUBE AXIAL
3	2196974	4.000	No	FAN ACCESSORIES FINGER GU
4	46-208897P16	16.000	No	SCREW
5	46-296214P1	1.000	No	POS. MINI-MATE
6	511A590P316	2.000	No	MINI-UNIVERSAL MATE-N-LOK

Table 6-24 Fan Assembly for Power Supply (2294357 BOM, rev 0)

1.13 Side Bulkhead Assy (2174056-5)

FRU = NO

USED ON:
 2266832,
 2266832-2



PHYSICAL ID: 2174056-5

THIS PART TO BE LABELED PER
 GEMS DWG 46-274914, CLASS 1,
 LABEL CANNOT BE ON PART

MATERIAL:		FINISH:		SURFACE ROUGHNESS	
ELECTRONIC SIGNOFF DESIGN RELEASED		METRIC		APR. 10 PRACTICES 46-316849	THIRD ANGLE PROJECTION
TITLE SIDE BULKHEAD ASM, H2 PEGASUS					REV 1
FIRST MADE FOR: HELIX SRU					
MADE BY: SAMPATH KUMAR 00NOV07	GE MEDICAL SYSTEMS MILWAUKEE, WI			2174056-5ADW	
TRNG: MICHAEL HEMANN 00NOV07				SHEET 1 OF 1	

Figure 6-38 Bulkhead Asm, Side (2174056-5, sheet 1, rev 1)

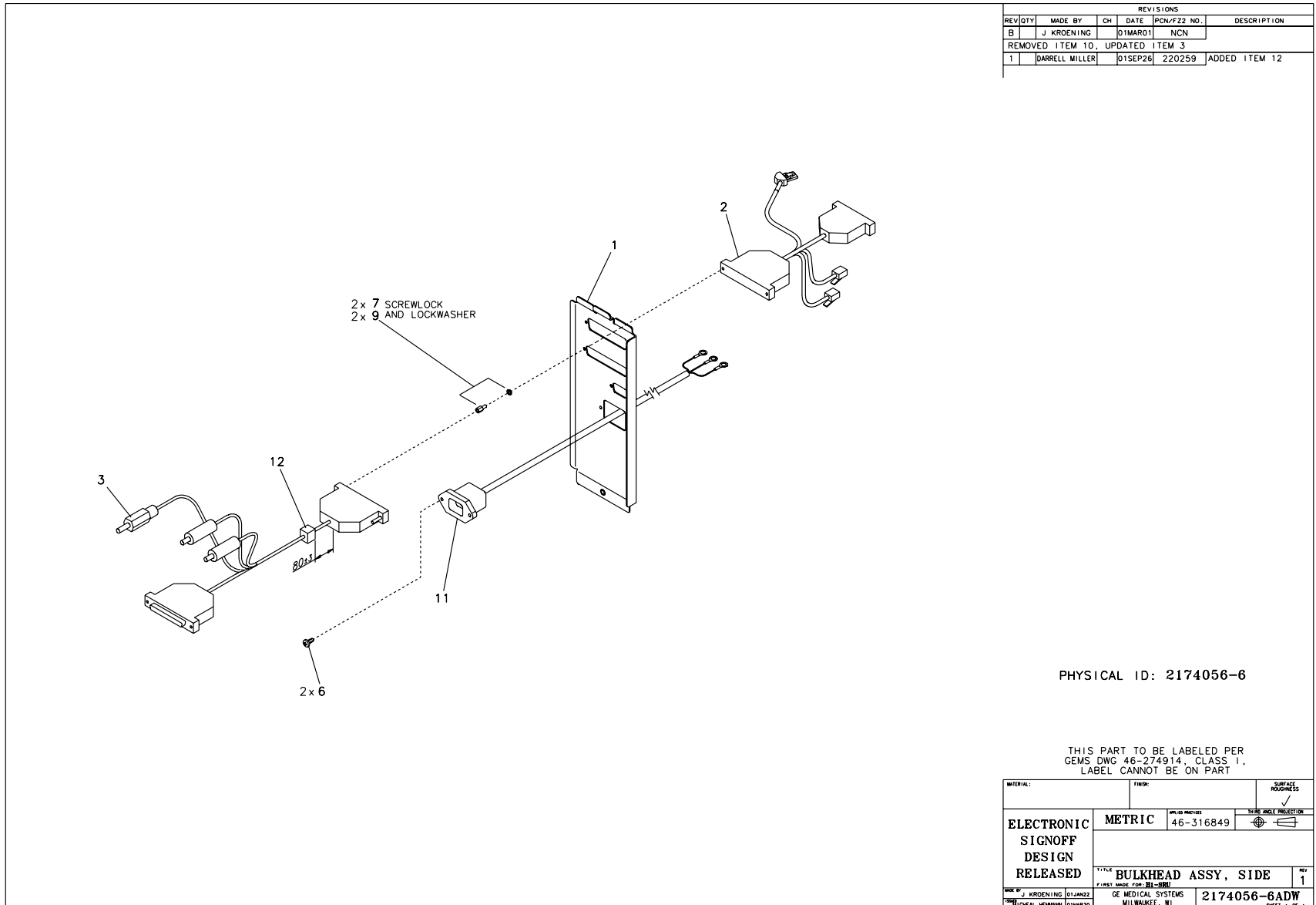
MARK	NUMBER	QTY	FRU	DESCRIPTION/NAME
2	2269875-2	1.000	Yes	CABLE-H2 S/BLK TO RIP BD,
3	2269874-2	1.000	Yes	CABLE-H2 OCTOPUS
8	2191450	1.000	Yes	NEXGEN HARNESS FROM POWER
11	2142224	1.000	Yes	VME POWER SUPPLY TO RECEP
12	2256483-2	1.000	Yes	SCSI CABLE, S/BLKHD TO PP
1	2174374-3	1.000	No	SIDE BULKHEAD HELIOS_1.2
6	46-316540P3	2.000	No	SCREW PAN HEAD 3 MM 10 MM
7	46-221417P4	2.000	No	FEMALE SCREWLOCKS FOR HD
9	46-170686P3	AR	No	LOCTITE 242, 50CC
13	2109168-3	1.000	No	FERRITE CLIP, 13.4MM

Table 6-25 Side Bulkhead Assy - Helios 2 (2174056-5 BOM, rev 1)

1.14 Side Bulkhead Assembly (2174056-6)

FRU = NO

USED ON:
 23204732,
 2304732-2



REVISIONS					
REV/DTY	MADE BY	CH	DATE	PCN/FZZ NO.	DESCRIPTION
B	J KROENING		01MAR01	NCN	
REMOVED ITEM 10, UPDATED ITEM 3					
1	DARRELL MILLER		01SEP26	220259	ADDED ITEM 12

PHYSICAL ID: 2174056-6

THIS PART TO BE LABELED PER
 GEMS DWG 46-274914, CLASS 1,
 LABEL CANNOT BE ON PART

MATERIAL:	FINISH:	SURFACE ROUGHNESS	
ELECTRONIC SIGNOFF DESIGN RELEASED	METRIC	46-316849	<input checked="" type="checkbox"/> SURF. PROTECT. <input type="checkbox"/>
	TITLE BULKHEAD ASSY, SIDE		REV 1
DESIGNED BY: J KROENING 01JAN02 DRAWN BY: MICHAEL NEUMANN 01MAR03	GE MEDICAL SYSTEMS MILWAUKEE, WI	2174056-6ADW	SHEET 1 OF 1

Figure 6-39 Side Bulkhead Assembly (2174056-6, sheet 1, rev 1)

MARK	NUMBER	QTY	FRU	DESCRIPTION/NAME
2	2269875-2	1.000	Yes	CABLE-H2 S/BLK TO RIP BD,
3	2269874-2	1.000	Yes	CABLE-H2 OCTOPUS
11	2142224	1.000	Yes	VME POWER SUPPLY TO RECEP
1	2174374-4	1.000	No	BRACKET, SIDE BULKHEAD-H2
6	46-316540P3	2.000	No	SCREW PAN HEAD 3 MM 10 MM
7	46-221417P4	1.000	No	FEMALE SCREWLOCKS FOR HD
9	46-170686P3	AR	No	LOCTITE 242, 50CC
12	2109168-3	1.000	No	FERRITE CLIP, 13.4MM

Table 6-26 Side Bulkhead Assembly (2174056-6 BOM, rev 1)

1.15 VME Console Power Supply Assembly (2260421)

FRU = YES

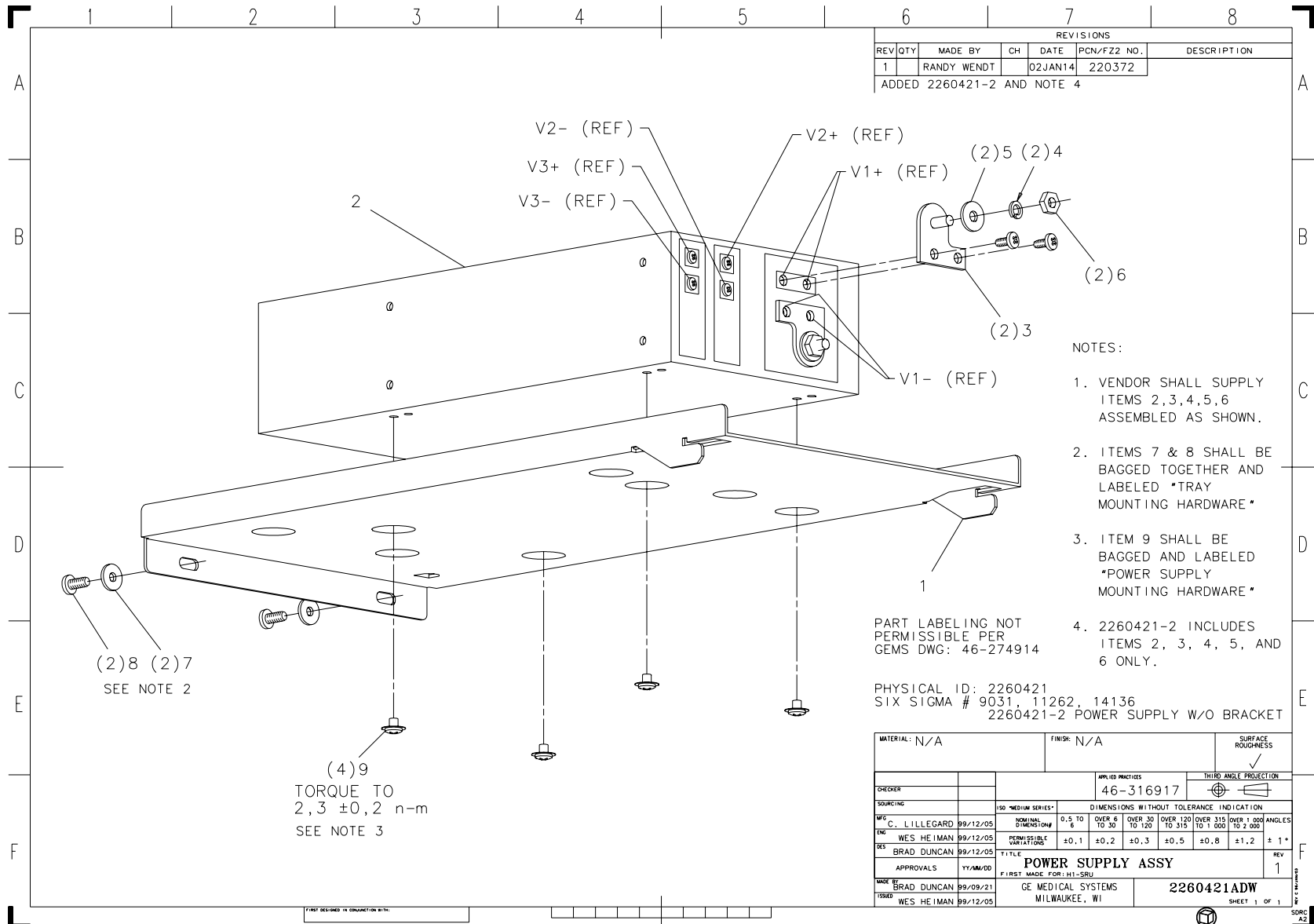


Figure 6-40 VME Console Power Supply Assembly (2260421, sheet 1, rev 1)

MARK	NUMBER	QTY	FRU	DESCRIPTION/NAME
1	2255666	1.000	No	POWER SUPPLY TRAY NEXGEN/
2	2255986	1.000	No	POWER SUPPLY, MODULAR,600
3	2255660	2.000	No	5V POWER SUPPLY ADAPTER
4	46-220181P5	2.000	No	WASHER #10 (.190) SCREW S
5	12-276	2.000	No	ID 0.2040 OD 0.5630 THK .
6	46-208941P9	2.000	No	00010-32 .375 HEX X .124
7	12-277	2.000	No	WASHER, FLAT
8	2103585-2	2.000	No	SCREW PAN HEAD 4 MM 10 MM
9	46-170015P8	4.000	No	SCREW

Table 6-27 VME Console Power Supply Assembly (2260421 BOM, rev 0)

Section 2.0 — Global Modem (2264588)

MARK	NUMBER	QTY	FRU	DESCRIPTION/NAME
1	2245794	1.000	Yes	GLOBAL MODEM KIT <i>For further detail, see Section 2.1, below.</i>
3	46-302200P3	1.000	Yes	MODIFIED BY KIT, SERIAL #
4	2142226	1.000	Yes	POWER CORD FOR EMC AREA
2	2262950-100	1.000	No	MULTI-TECH MT5634 MODEM U

Table 6-28 Global Modem (2264588 BOM, rev 0)

2.1 Global Modem Kit (2245794)

FRU = YES

MARK	NUMBER	QTY	FRU	DESCRIPTION/NAME
3	2216697	1.000	Yes	CABLE, RJ11 MODULAR, 6-CO
5	2249450	1.000	Yes	ADAPTER ASSY GLOBAL MODEM
1	2245773	1.000	No	MULTI-TECH GLOBAL MODEM
2	2253088	1.000	No	LABEL,CUSTOMER PROPERTY F
4	2255874	1.000	No	CABLE, RJ11 MODULAR,6-CON

Table 6-29 Global Modem Kit (2245794 BOM, rev 3)

Section 3.0 — Console Display Monitors

3.1 CRT Monitors

MARK	NUMBER	QTY	FRU	DESCRIPTION/NAME
1A	2189192	2	Yes	PHILIPS 20 INCH MONITOR FOR LIGHTSPEED
1B	2244724	2	Yes	SONY GDM-500PS 21" COLOR MONITOR (RGB INPUTS)
1C	2254212	2	Yes	SONY GDM-5402T9 21" COLOR MONITOR (DB15 INPUT)

Table 6-30 Console Display Monitors

3.2 LCD Monitor & Cable (2309592)

MARK	NUMBER	QTY	FRU	DESCRIPTION/NAME
1	2349792	1.000	Yes	18.1 IN LCD COLOR MONITOR
2	2295019	1.000	Yes	13W3-BD15 RGB LCD STRAIGHT CONN CBL

Table 6-31 LCD Monitor & Cable (2309592 BOM, rev 1)

Section 4.0 — DASMs

MARK	NUMBER	QTY	FRU	DESCRIPTION/NAME
1A	2249894	1	Yes	Analog DASM
1B	2249895	1	Yes	Digital DASM

Table 6-32 DASMs

Section 5.0 — Keyboard w/SCIM, Collectors



Figure 6-41 Keyboard & SCIM Assembly (Rev 11/15/00 - English shown)

5.1 English (2275758)

MARK	NUMBER	QTY	FRU	DESCRIPTION/NAME
1	2275756	1.000	Yes	KEYBOARD, NORTH AMERICAN
3	2275752	1.000	Yes	SCIM COLLECTOR - ENGLISH {For further detail, see "SCIM Collector - English (2275752)," below.}
4	2323942	1.000	Yes	CABLE, HD50 TO HD50
2	2275757	1.000	No	FUNCTION KEY TEMPLATE - E

Table 6-33 Keyboard w/SCIM Collector (2275758 BOM, rev 1)

SCIM Collector - English (2275752)

MARK	NUMBER	QTY	FRU	DESCRIPTION/NAME
1	2262158	1.000	No	SCAN CONTROL INTERCOM MOD
2	2262158-11	1.000	No	OVERLAY, SCIM CT, TILT -
3	2262158-21	1.000	No	OVERLAY, SCIM CT, NO TILT

Table 6-34 SCIM Collector - English (2275752 BOM, rev 0)

5.2 French (2275758-2)

MARK	NUMBER	QTY	FRU	DESCRIPTION/NAME
1	2275756-2	1.000	Yes	KEYBOARD, EUROPEAN FRENCH
3	2275752-2	1.000	Yes	SCIM COLLECTOR - FRENCH {For further detail, see "SCIM Collector - French (2275752-2)," below.}
4	2323942	1.000	Yes	CABLE, HD50 TO HD50
2	2275757-2	1.000	No	FUNCTION KEY TEMPLATE - F

Table 6-35 Keyboard w/SCIM Collector - French (2275758-2 BOM, rev 1)

SCIM Collector - French (2275752-2)

MARK	NUMBER	QTY	FRU	DESCRIPTION/NAME
1	2262158	1.000	No	SCAN CONTROL INTERCOM MOD
2	2262158-12	1.000	No	OVERLAY, SCIM CT, TILT -
3	2262158-22	1.000	No	OVERLAY, SCIM CT, NO TILT

Table 6-36 SCIM Collector - French (2275752-2 BOM, rev 0)

5.3 German (2275758-3)

MARK	NUMBER	QTY	FRU	DESCRIPTION/NAME
1	2275756-3	1.000	Yes	KEYBOARD, GERMAN PC PS/2
3	2275752-3	1.000	Yes	SCIM COLLECTOR - GERMAN {For further detail, see "SCIM Collector - German (2275752-3)," below.}
4	2323942	1.000	Yes	CABLE, HD50 TO HD50
2	2275757-3	1.000	No	FUNCTION KEY TEMPLATE - G

Table 6-37 Keyboard w/SCIM Collector - German (2275758-3 BOM, rev 1)

SCIM Collector - German (2275752-3)

MARK	NUMBER	QTY	FRU	DESCRIPTION/NAME
1	2262158	1.000	No	SCAN CONTROL INTERCOM MOD
2	2262158-13	1.000	No	OVERLAY, SCIM CT, TILT -
3	2262158-23	1.000	No	OVERLAY, SCIM CT, NO TILT

Table 6-38 SCIM Collector - German (2275752-3 BOM, rev 0)

5.4 Swedish (2275758-4)

MARK	NUMBER	QTY	FRU	DESCRIPTION/NAME
1	2275756-4	1.000	Yes	KEYBOARD, SWEDISH PC PS/2
3	2275752	1.000	Yes	SCIM COLLECTOR - ENGLISH {For further detail, see "SCIM Collector - English (2275752)," on page 539.}
4	2323942	1.000	Yes	CABLE, HD50 TO HD50
2	2275757	1.000	No	FUNCTION KEY TEMPLATE - E

Table 6-39 Keyboard w/SCIM Collector - Swedish (2275758-4 BOM, rev 1)

5.5 International (2275758-5)

MARK	NUMBER	QTY	FRU	DESCRIPTION/NAME
1	2275756	1.000	Yes	KEYBOARD, NORTH AMERICAN
3	2275752-4	1.000	Yes	SCIM COLLECTOR - INTERNATIONAL {For further detail, see "SCIM Collector - International (2275752-4)," below.}
4	2323942	1.000	Yes	CABLE, HD50 TO HD50
2	2283830	1.000	No	FUNCTION KEY TEMPLATE COL

Table 6-40 Keyboard w/SCIM Collector - International (2275758-5 BOM, rev 1)

SCIM Collector - International (2275752-4)

MARK	NUMBER	QTY	FRU	DESCRIPTION/NAME
1	2262158	1.000	No	SCAN CONTROL INTERCOM MOD
2	2262158-10	1.000	No	OVERLAY, SCIM CT, TILT -
3	2262158-14	1.000	No	OVERLAY, SCIM CT, TILT -
4	2262158-20	1.000	No	OVERLAY, SCIM CT, NO TILT
5	2262158-24	1.000	No	OVERLAY, SCIM CT, NO TILT

Table 6-41 SCIM Collector - International (2275752-4 BOM, rev 0)

© 2005, General Electric Company.

GE Medical Systems, a General Electric Company, going to market as GE Healthcare.

3000 N. Grandview Boulevard

Waukesha, Wisconsin 53188

USA

www.gehealthcare.com

