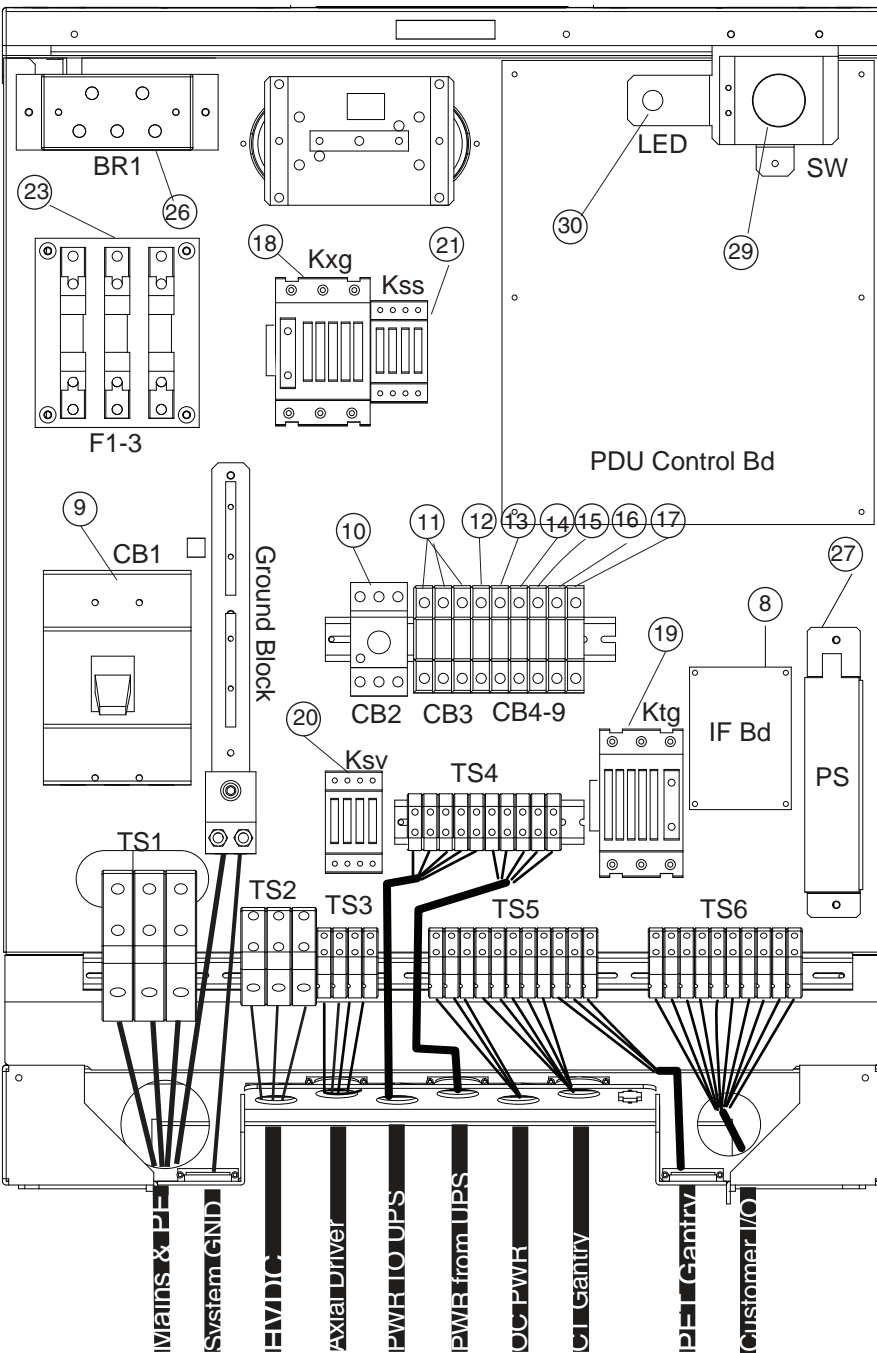
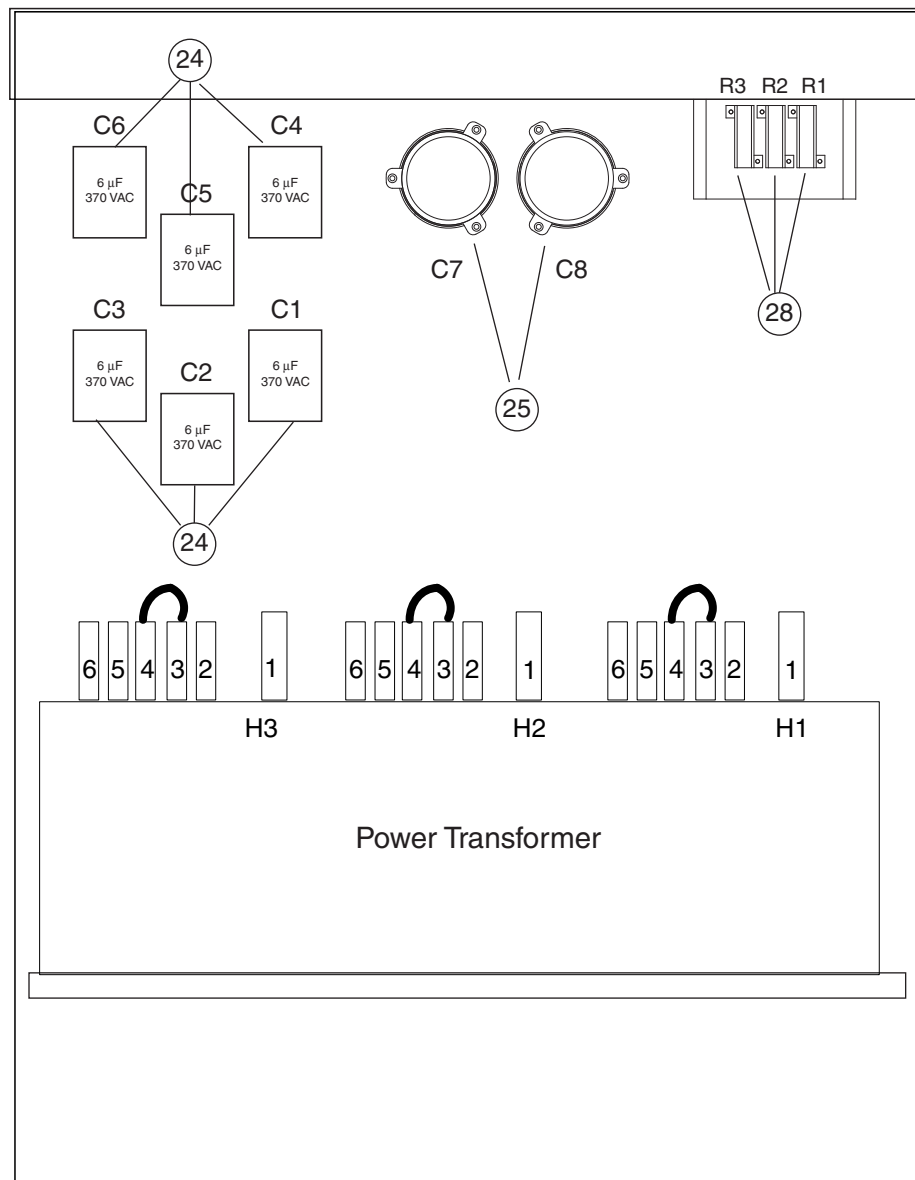


# NGPDU (Covers Removed)



Front View

# NGPDU(COVERS REMOVED)



Rear View