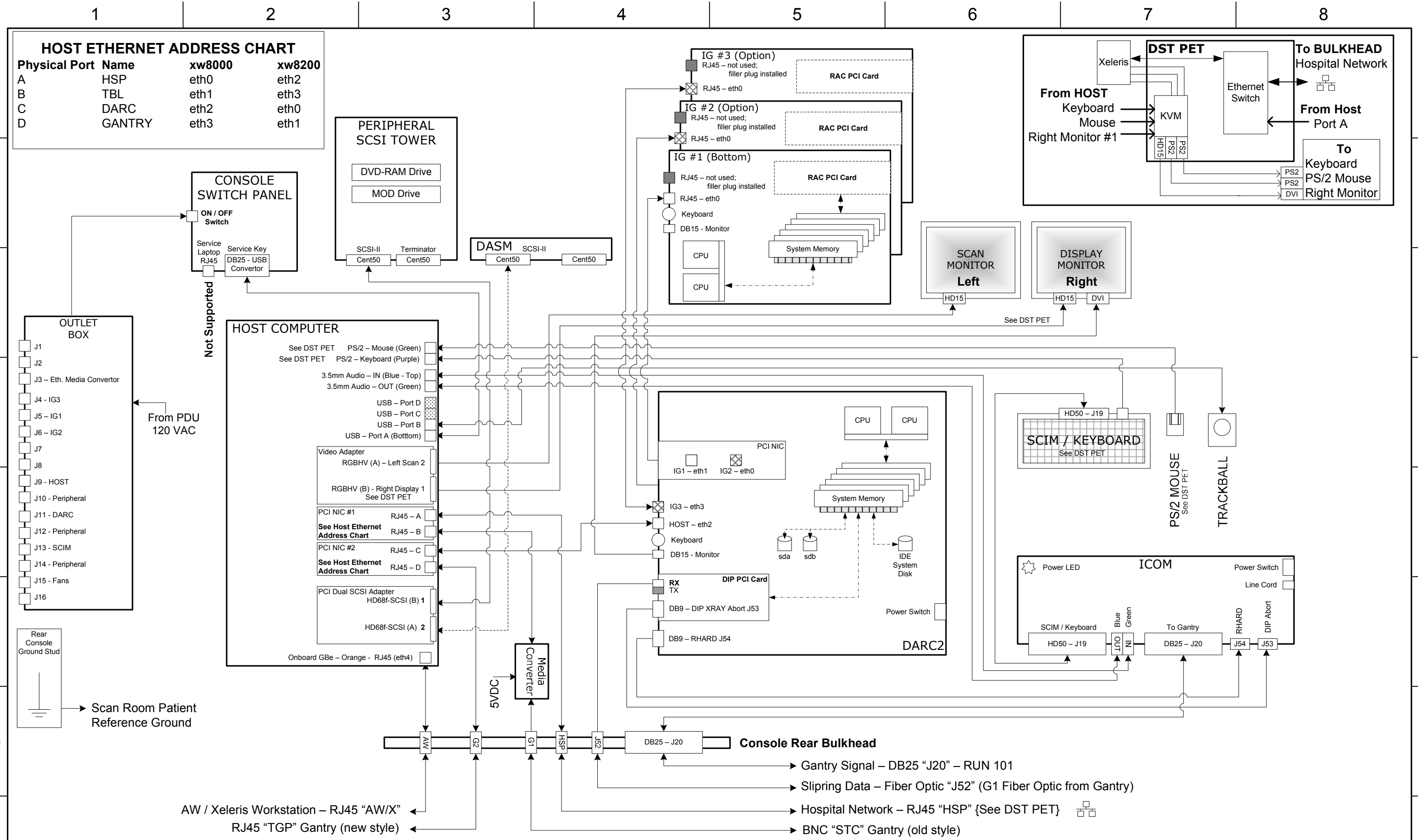


State: RELEASE - Document is released and under formal Change Control. Changes are subject to the ECR/ECO Process. See the GEMS ePDM System to determine the status of this document.



HOST ETHERNET ADDRESS CHART

Physical Port	Name	xw8000	xw8200
A	HSP	eth0	eth2
B	TBL	eth1	eth3
C	DARC	eth2	eth0
D	GANTRY	eth3	eth1

REVISIONS					REVISIONS					APPROVALS		DD/MM/YY	TITLE	REV	SIZE
REV	MADE BY	DATE	PCN NO.	DESCRIPTION	REV	MADE BY	DATE	PCN NO.	DESCRIPTION	MADE	CHECK		OPERATOR CONSOLE SCHEMATIC	3	B
1	C.Hemmerly	07/05/06		Jarrell design release									FIRST MADE FOR: GOC4 - xw8000, JARRELL		
2	C.Hemmerly	07/31/06		Added Host Ethernet Address Chart									GE HEALTHCARE MILWAUKEE, WI		
3	C.Hemmerly	08/07/06		Removed CPU speeds from Computers									2377708-530ADW		