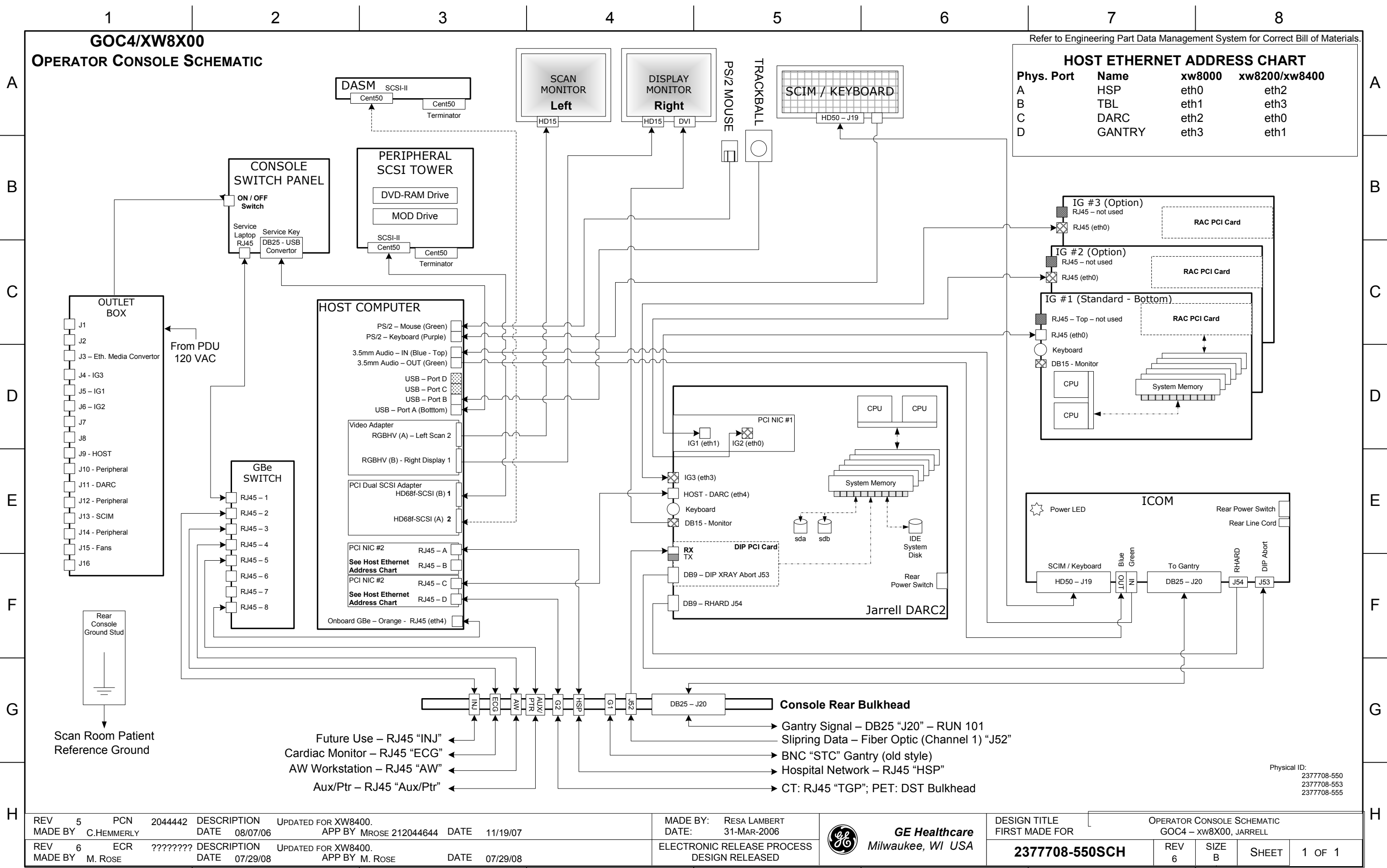


State: RELEASE - Document is released and under formal Change Control. Changes are subject to the ECR/ECO Process. See the GEHC Myworkshop System to determine the status of this document.



REV 5	PCN 2044442	DESCRIPTION	UPDATED FOR XW8400.	MADE BY: RESA LAMBERT	DESIGN TITLE	OPERATOR CONSOLE SCHEMATIC				
MADE BY C. HEMMERLY	DATE 08/07/06		APP BY MROSE 212044644	DATE 11/19/07	FIRST MADE FOR	GOC4 - xw8X00, JARRELL				
REV 6	ECR ????????	DESCRIPTION	UPDATED FOR XW8400.	ELECTRONIC RELEASE PROCESS	<b>2377708-550SCH</b>		REV 6	SIZE B	SHEET	1 OF 1
MADE BY M. ROSE	DATE 07/29/08		APP BY M. ROSE	DESIGN RELEASED						

Physical ID:  
2377708-550  
2377708-553  
2377708-555