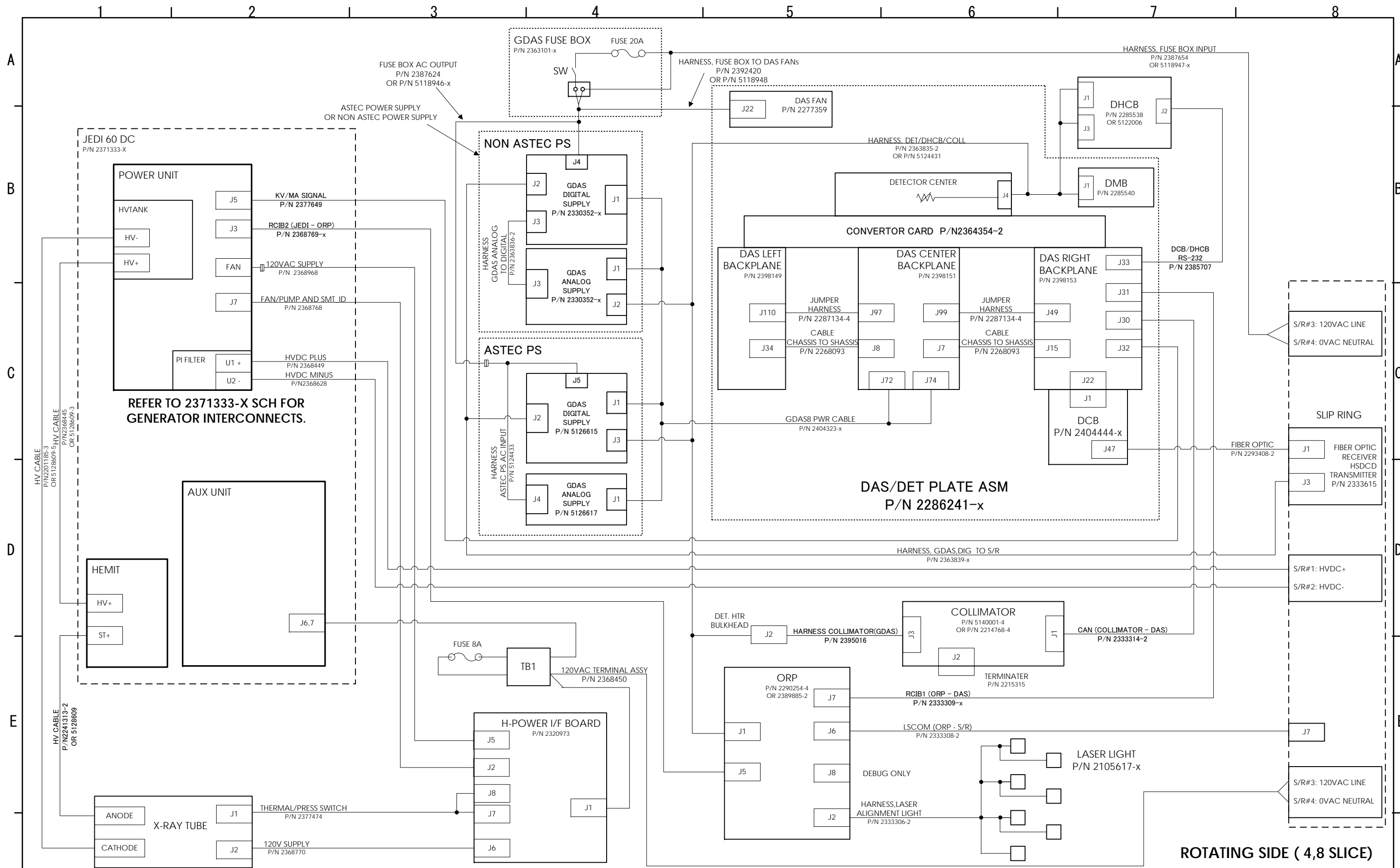


State: RELEASE - Document is released and under formal Change Control. Changes are subject to the ECR/ECO Process. See the GEHC Myworkshop System to determine the status of this document.



4	全	Revise Schematics	'05-Oct-19 Y.Nozawa	DR. 条川	CT Eng	H-POWER60 GANTRY INTERCONNECT (GDAS)	PAGE 4
3	全	Remove detail generator interconnect details and adding new HV cables.	'05-Feb-02 ARIYAMA	CH. 柳田			
2	全	新規出図	- -	APP. 村野	9/22/2004	2378661-3SCH	
REV.	ZONE	DATE	REV. BY				