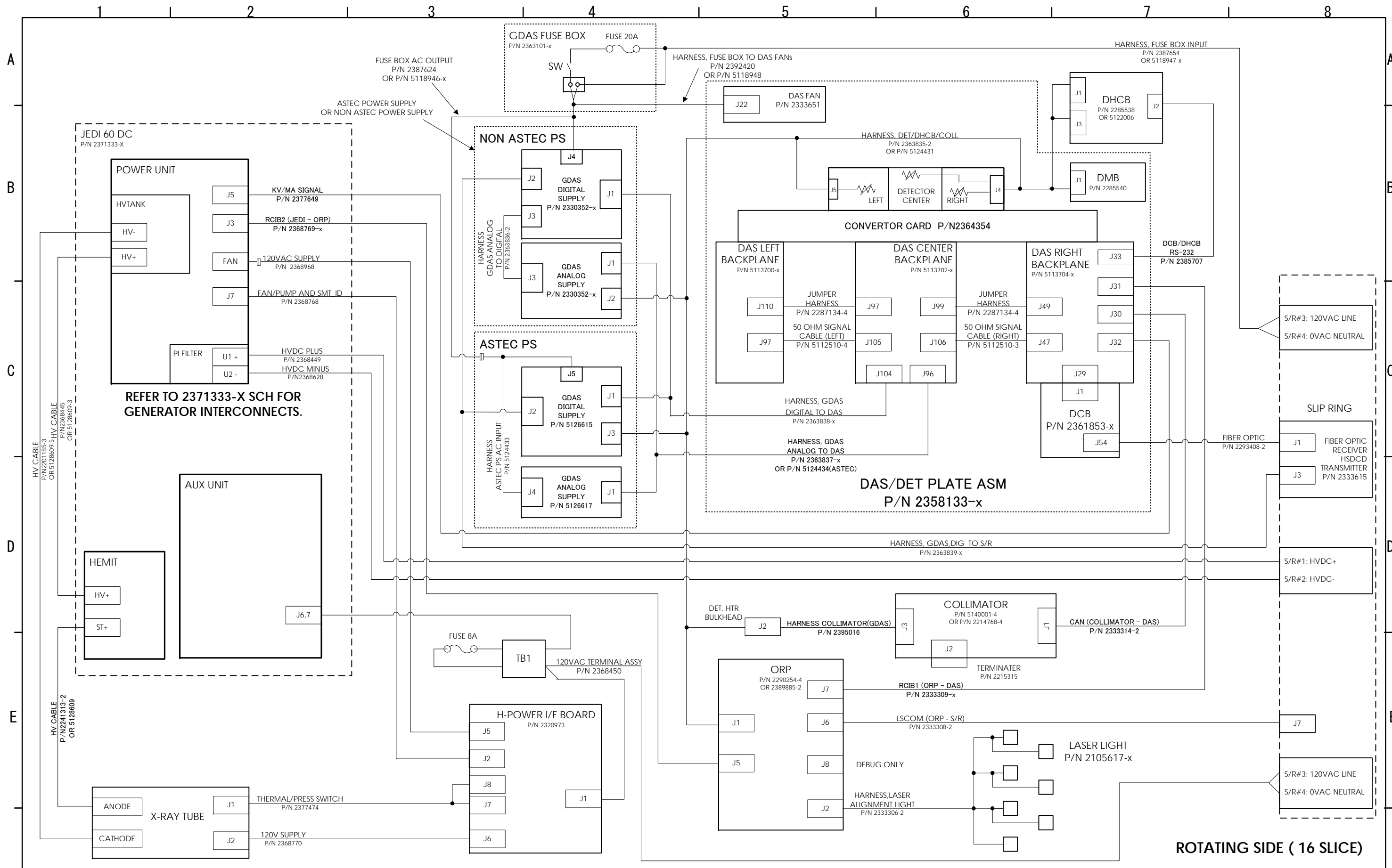


State: RELEASE - Document is released and under formal Change Control. Changes are subject to the ECR/ECO Process. See the GEHC Myworkshop System to determine the status of this document.



△				DR. 桑川	CT Eng	H-POWER60 GANTRY INTERCONNECT (GDAS)	PAGE 3
△	全	Revise Schematics	05-Oct-19 Y.Nozawa	CH. 長沼			
△	全	Remove detail generator interconnect details and adding new HV cables.	05-Feb-02 ARIYAMA	APP. 手塚	Jul/28/2004	2378661-3SCH	
REV.	ZONE		DATE	REV. BY			