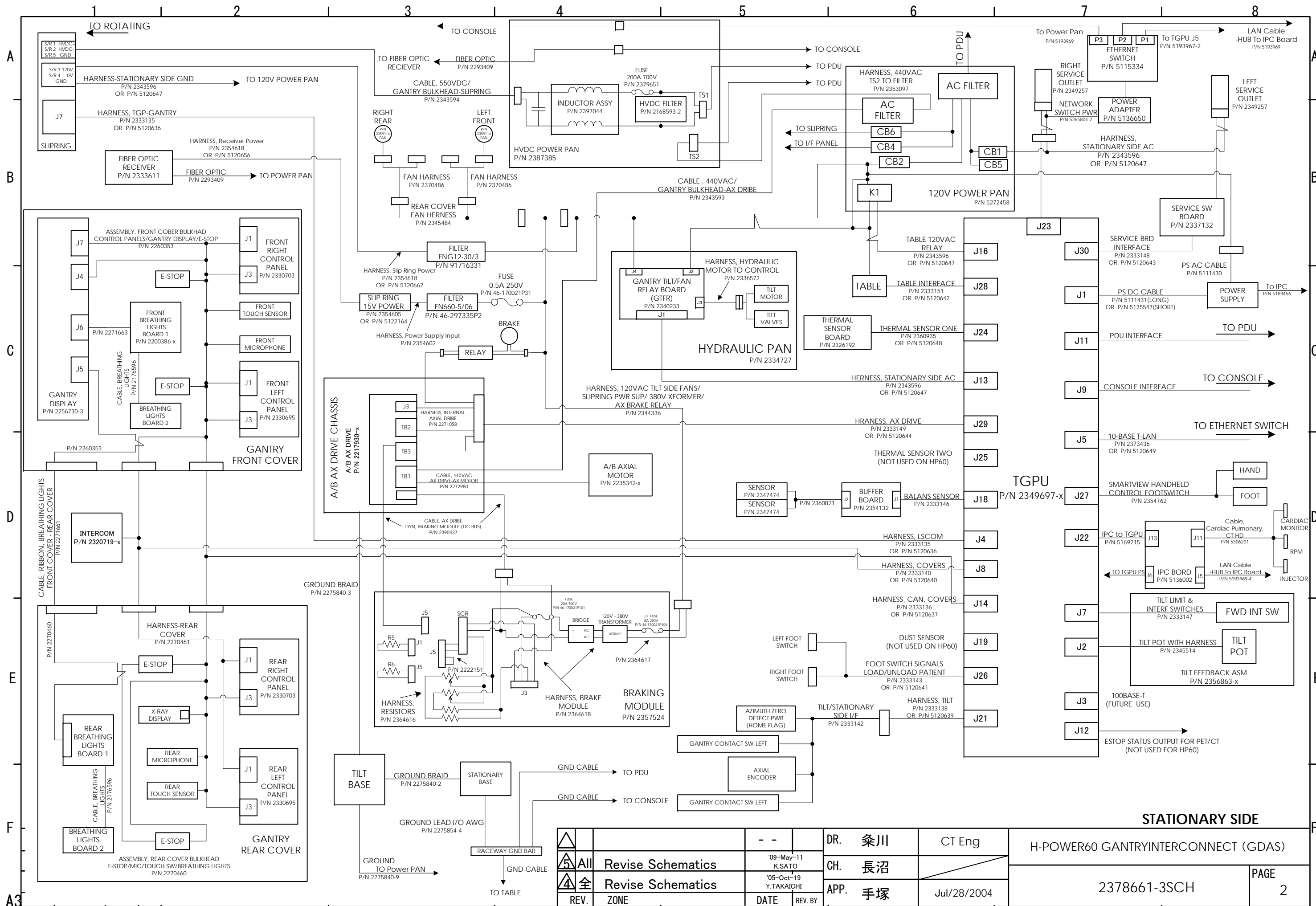


State: RELEASE - Document is released and under formal Change Control. Changes are subject to the ECR/ECO Process. See the GEHC Myworkshop System to determine the status of this document.



REV. 5		All		Revise Schematics		09-May-11		DR. 桑川		CT Eng		H-POWER60 GANTRYINTERCONNECT (GDAS)	
REV. 4		全		Revise Schematics		05-Oct-19		APP. 手塚		Jul/28/2004		2378661-3SCH	
REV.	ZONE	DATE	REV. BY									PAGE 2	