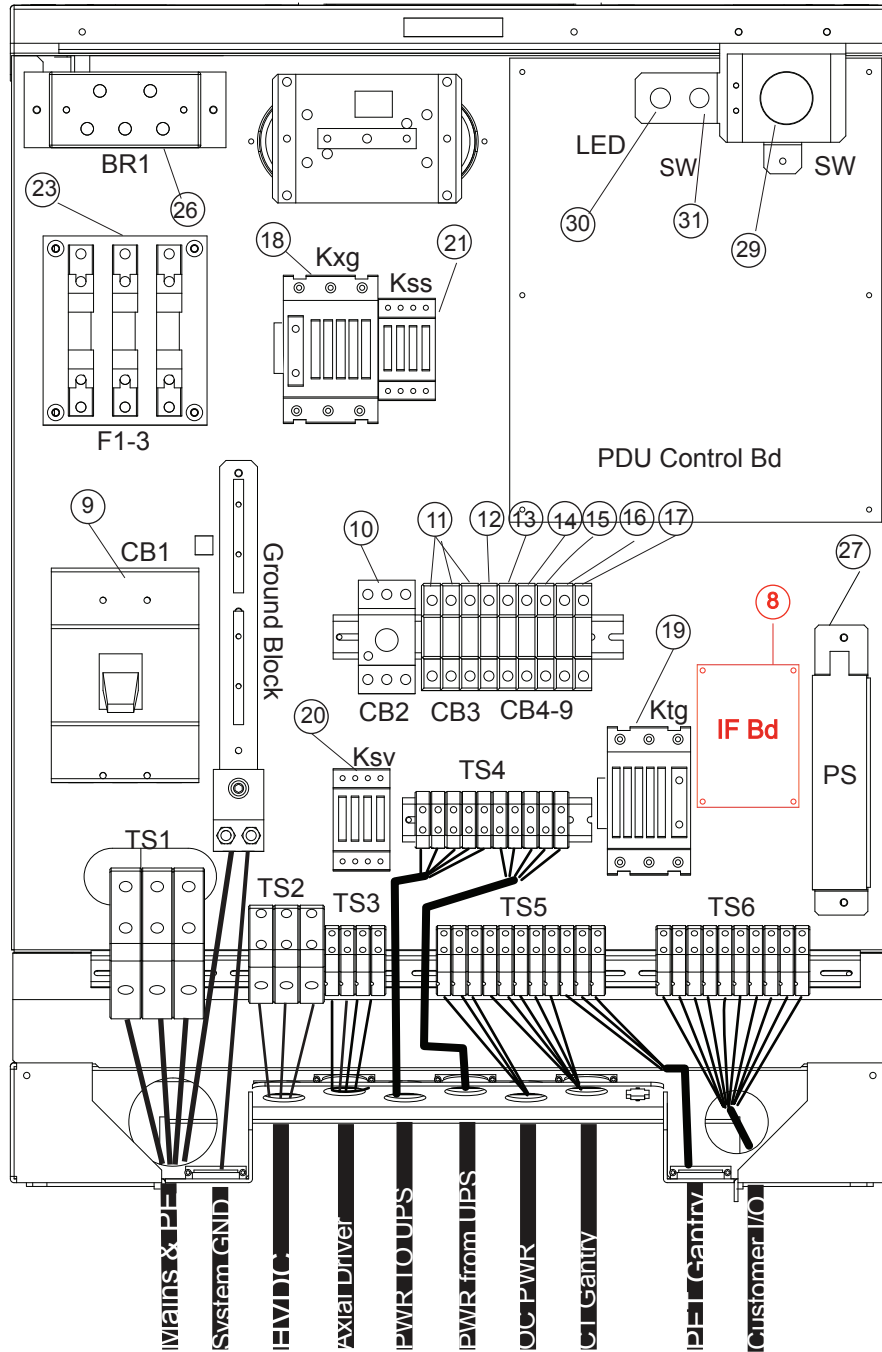


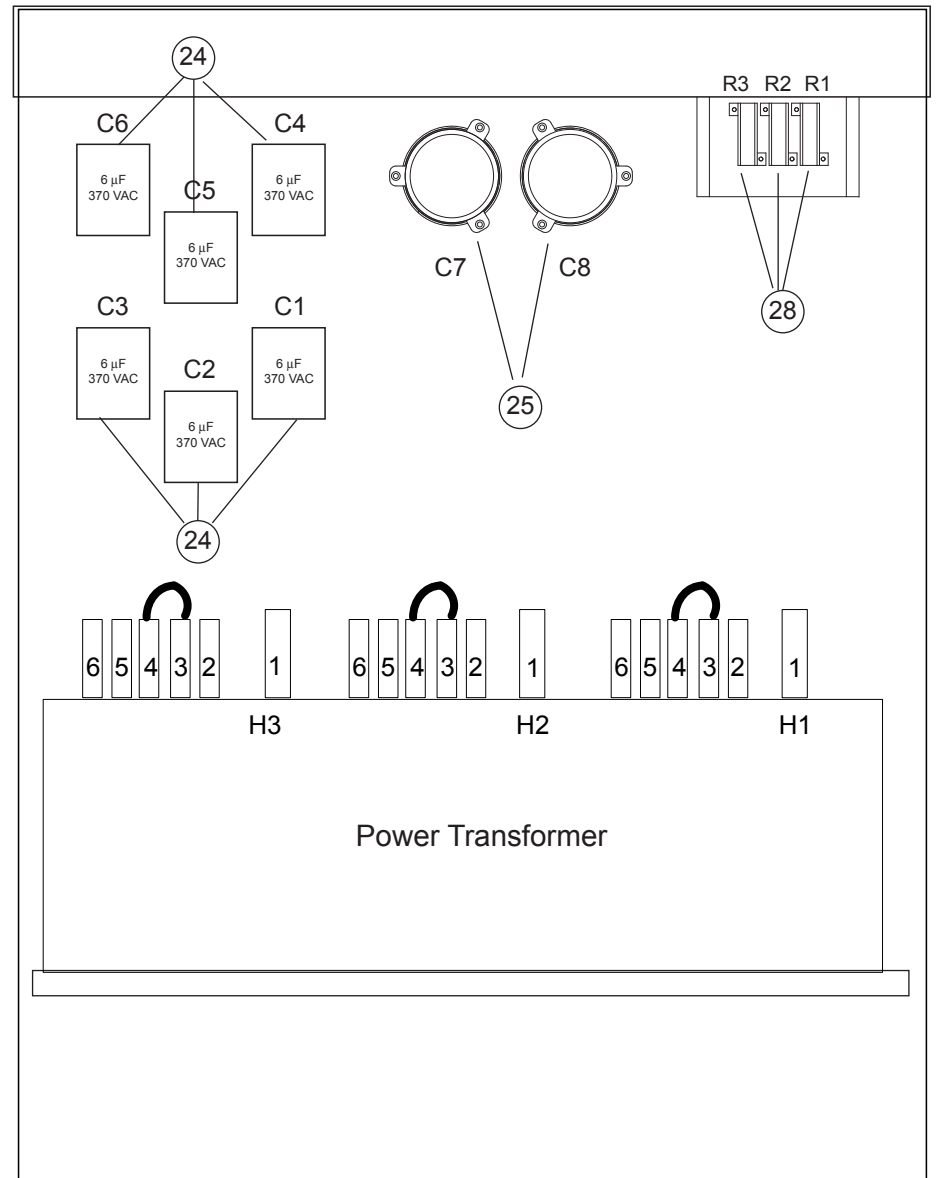
Note: IF Bd (item 8) belongs to NGPDU-2 only.

NGPDU (Covers Removed)(2326492, -2, -3)



Front View

NGPDU(Covers Removed)(2326492 & 2326492-2, -3)



Rear View