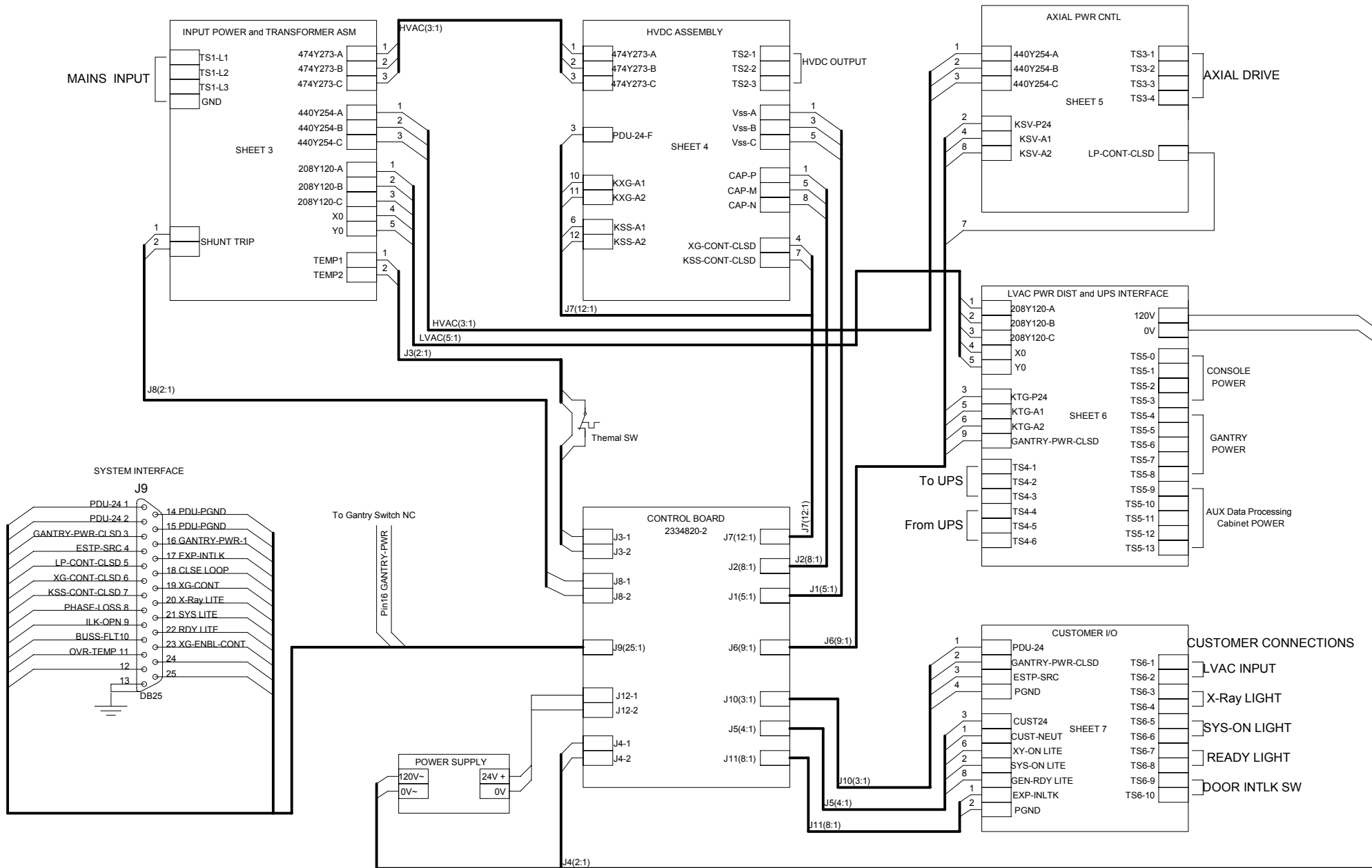


State: RELEASE - Document is released and under formal Change Control. Changes are subject to the ECR/ECO Process. See the GEMS system for the status of this document.

1	2	3	4	5	6																																																									
A	<p><u>NOTES:</u></p>				A																																																									
B	<table border="1" style="margin: auto;"> <thead> <tr> <th>SHEET_NAME</th> <th>SHT_NUM</th> <th>REV</th> </tr> </thead> <tbody> <tr><td>BLOCK</td><td>2</td><td></td></tr> <tr><td>INPUT</td><td>3</td><td></td></tr> <tr><td>HVDC</td><td>4</td><td></td></tr> <tr><td>AXIAL DRIVE</td><td>5</td><td></td></tr> <tr><td>LVAC</td><td>6</td><td></td></tr> <tr><td>CUSTOMER I/O</td><td>7</td><td></td></tr> </tbody> </table>		SHEET_NAME	SHT_NUM	REV	BLOCK	2		INPUT	3		HVDC	4		AXIAL DRIVE	5		LVAC	6		CUSTOMER I/O	7		<table border="1" style="margin: auto;"> <thead> <tr> <th>REVISION</th> <th>PCN NUMBER</th> <th>DATE</th> <th>SIGN OFF</th> </tr> </thead> <tbody> <tr><td> </td><td> </td><td> </td><td> </td></tr> <tr><td> </td><td> </td><td> </td><td> </td></tr> <tr><td> </td><td> </td><td> </td><td> </td></tr> </tbody> </table>		REVISION	PCN NUMBER	DATE	SIGN OFF													B																				
SHEET_NAME	SHT_NUM	REV																																																												
BLOCK	2																																																													
INPUT	3																																																													
HVDC	4																																																													
AXIAL DRIVE	5																																																													
LVAC	6																																																													
CUSTOMER I/O	7																																																													
REVISION	PCN NUMBER	DATE	SIGN OFF																																																											
C					C																																																									
D	<table border="1" style="margin: auto;"> <tr><td> </td><td> </td><td> </td><td> </td><td> </td><td> </td></tr> <tr><td> </td><td> </td><td> </td><td> </td><td> </td><td> </td></tr> <tr><td> </td><td> </td><td> </td><td> </td><td> </td><td> </td></tr> <tr> <td>标记 REV</td> <td>QTY</td> <td>改单号 FZ2 No.</td> <td>签字 MADE BY</td> <td>日期 DATE</td> <td>描述 DESCRIPTION</td> </tr> <tr> <td colspan="5" style="text-align: center;">GEHW MEDICAL SYSTEMS</td> <td>名称 TITLE NGPDU-3 SCH</td> </tr> <tr> <td>设计 DESIGNER</td> <td> </td> <td> </td> <td colspan="2" style="text-align: center;">比例 SCALE</td> <td rowspan="4" style="text-align: center;">文件代号 DOC.NO 2326492-3SCH</td> </tr> <tr><td>审核 CHECKER</td><td> </td><td> </td><td colspan="2"> </td></tr> <tr><td>复审 RECHECKER</td><td> </td><td> </td><td colspan="2"> </td></tr> <tr><td>标审 STANDARD</td><td> </td><td> </td><td colspan="2"> </td></tr> <tr> <td>批准 APPROVAL</td> <td> </td> <td> </td> <td colspan="2" style="text-align: center;">sheet 1 of 7</td> <td> </td> </tr> </table>																						标记 REV	QTY	改单号 FZ2 No.	签字 MADE BY	日期 DATE	描述 DESCRIPTION	GEHW MEDICAL SYSTEMS					名称 TITLE NGPDU-3 SCH	设计 DESIGNER			比例 SCALE		文件代号 DOC.NO 2326492-3SCH	审核 CHECKER					复审 RECHECKER					标审 STANDARD					批准 APPROVAL			sheet 1 of 7			D
标记 REV	QTY	改单号 FZ2 No.	签字 MADE BY	日期 DATE	描述 DESCRIPTION																																																									
GEHW MEDICAL SYSTEMS					名称 TITLE NGPDU-3 SCH																																																									
设计 DESIGNER			比例 SCALE		文件代号 DOC.NO 2326492-3SCH																																																									
审核 CHECKER																																																														
复审 RECHECKER																																																														
标审 STANDARD																																																														
批准 APPROVAL			sheet 1 of 7																																																											
1	2	3	4	5	6																																																									

NGPDU-3 BLOCK DIAGRAM

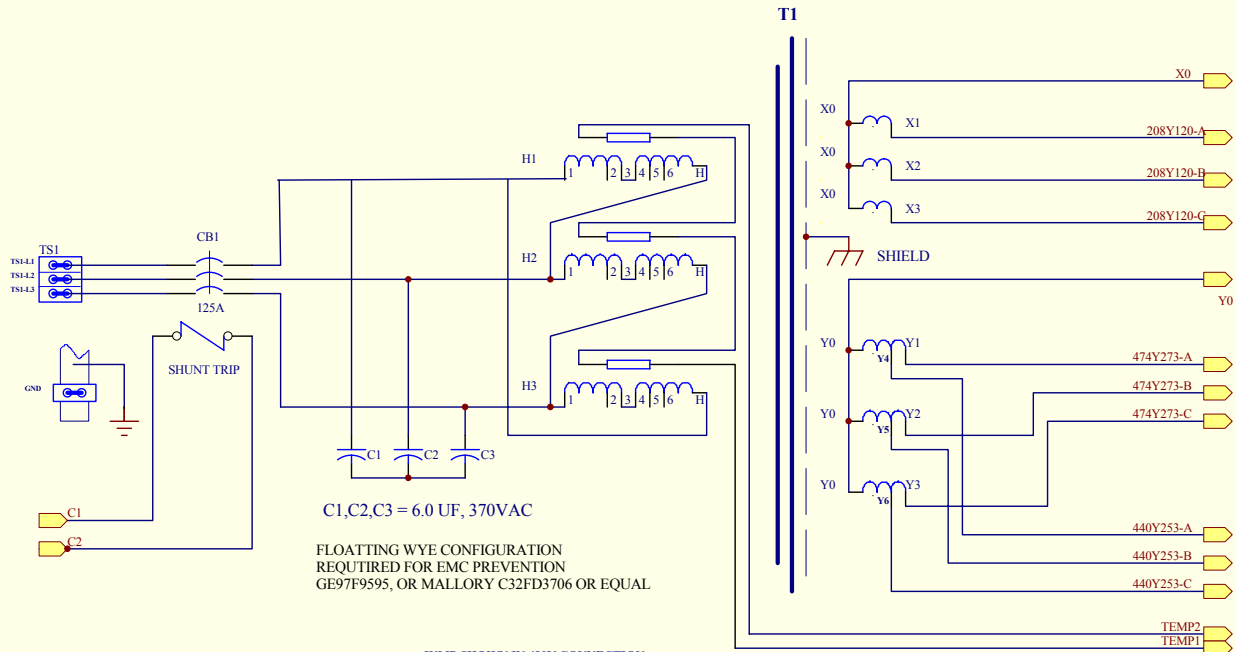


State-RELEASE Document is released and under formal Change Control. Changes are subject to the ECR/ECO Process. See the GEHC Myworkshop System to determine the status of this document.

日期	2010-09-21	E	GE Healthcare MI&CT ENG	NGPDU-3 Schematic Diagram	ED002	V=AP
编辑	305006483					+ST1
修正	2326492-3SCH	GEHW	由...创建	由...创建	NGPDU	页 2
名称	2326492-3SCH	标准	为...创建	由...创建		7 页

State: RELEASE - Document is released and under formal Change Control. Changes are subject to the ECR/ECO Process. See the GEMS system for details of the status of this document.

INPUT POWER AND TRANSFORMER ASSEMBLY



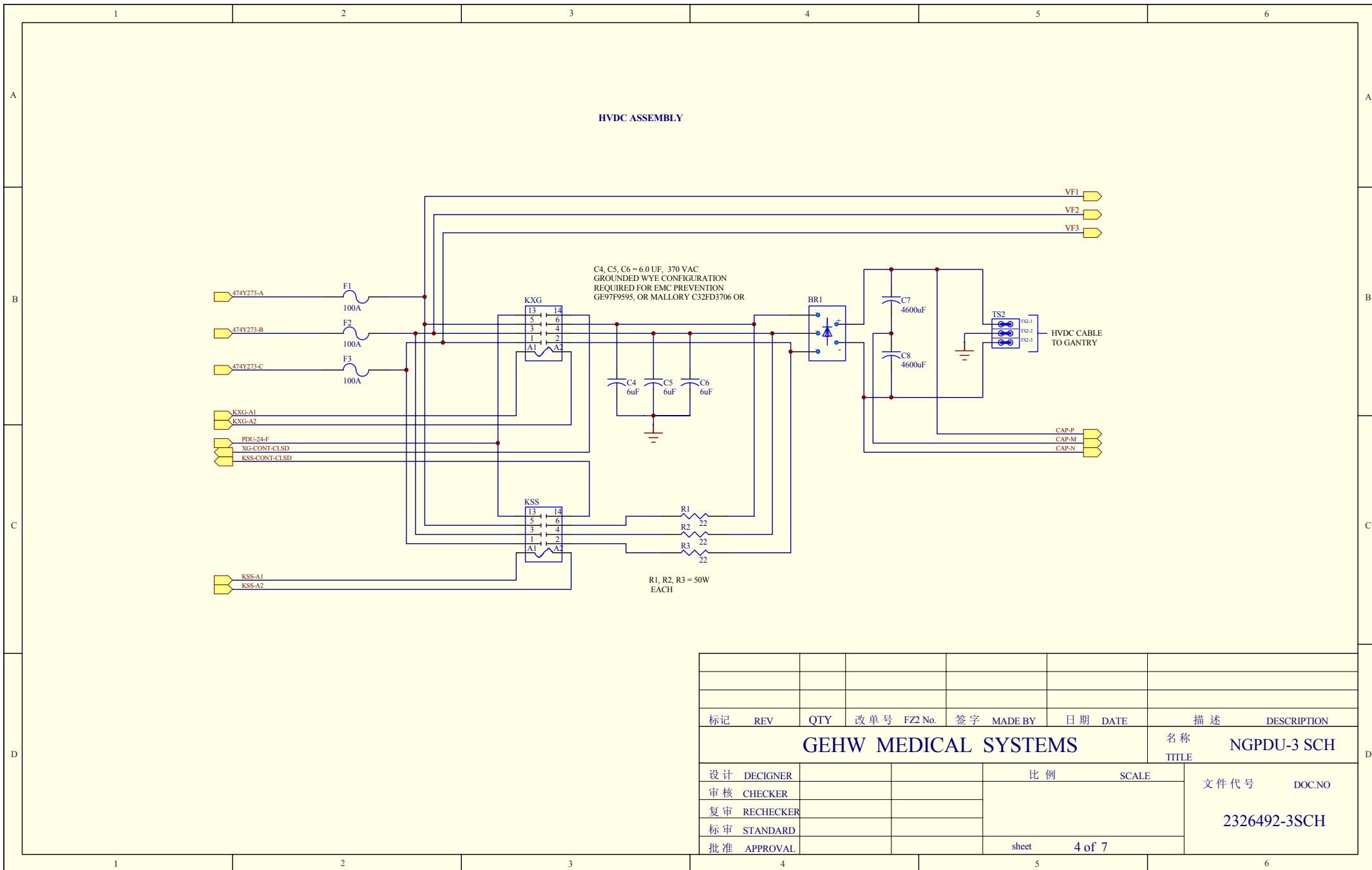
C1,C2,C3 = 6.0 UF, 370VAC
 FLOATING WYE CONFIGURATION
 REQUIRED FOR EMC PREVENTION
 GE97F9595, OR MALLORY C32FD3706 OR EQUAL

JUMP SHOWN IN 480V CONNECTION

PRIMARY		SECONDARY	
VOLTAGE	LEAD CONNECTION	VOLTAGE	LEAD CONNECTION
380v	2-6	208Y120	X1,X2,X3,X0
400v	2-5	474Y273	Y1,Y2,Y3,Y0
420v	2-4		
440v	3-6		
460	3-5		
480v	3-4	440Y253	Y4,Y5,Y6,Y0

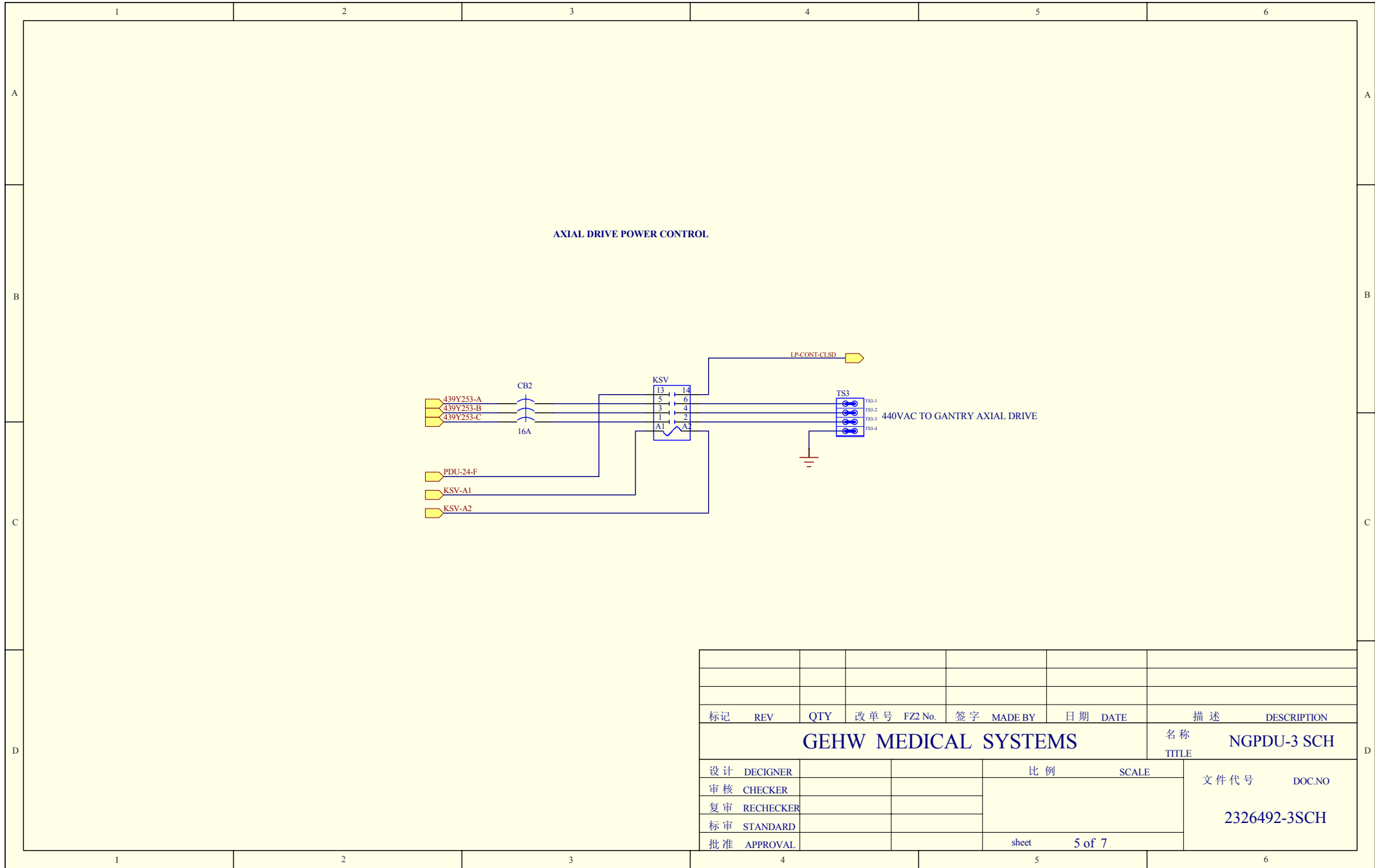
标记	REV	QTY	改单号	FZ2 No.	签字	MADE BY	日期	DATE	描述	DESCRIPTION
GEHW MEDICAL SYSTEMS								名称	NGPDU-3 SCH	
								TITLE		
设计	DECIGNER				比例	SCALE		文件代号	DOC.NO	
审核	CHECKER							2326492-3SCH		
复审	RECHECKER									
标审	STANDARD									
批准	APPROVAL				sheet	3 of 7				

State: RELEASE - Document is released and under formal Change Control. Changes are subject to the ECR/ECO Process. See the GEMS system for the status of this document.



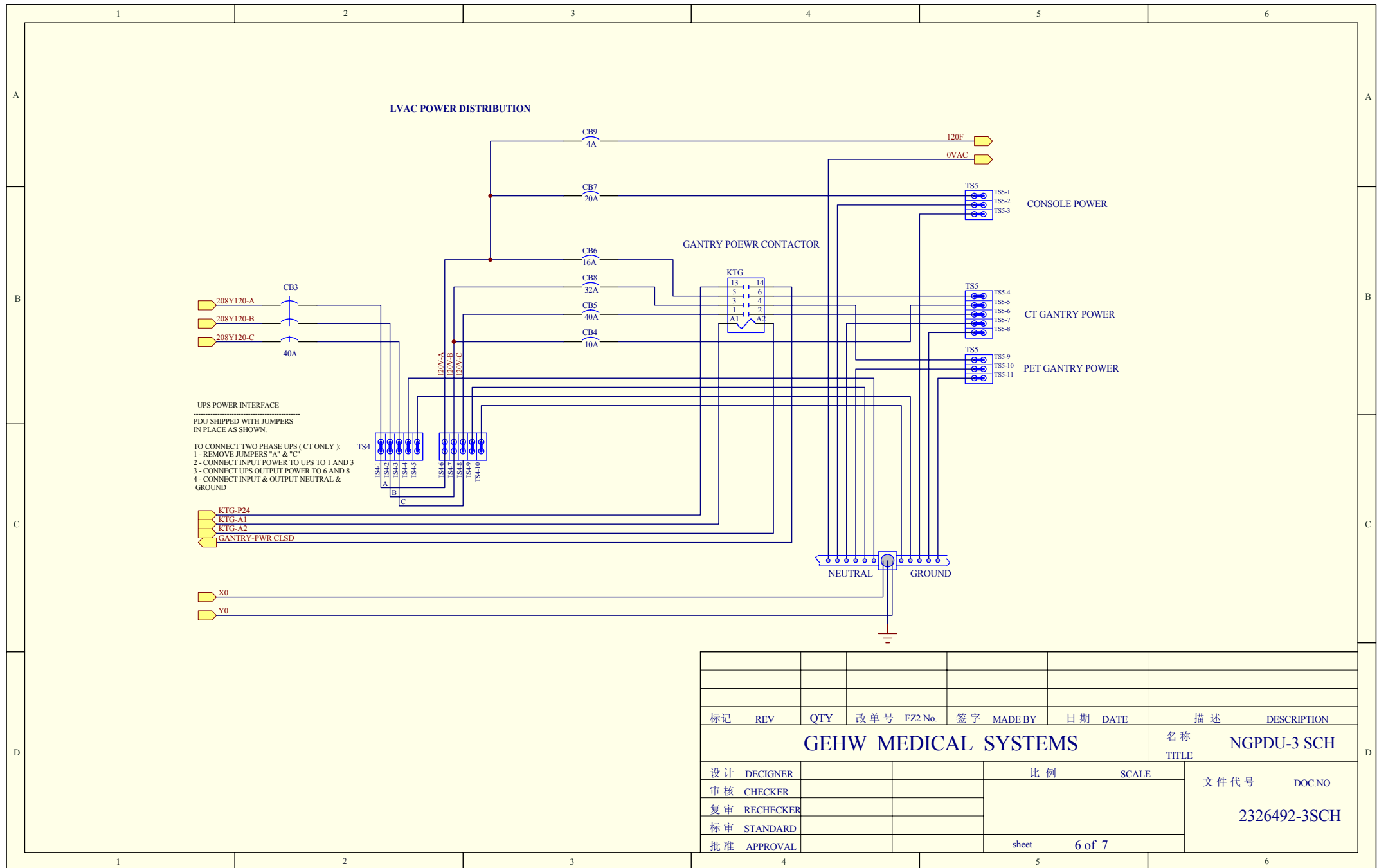
标记	REV	QTY	改单号	FZ2 No.	签字	MADE BY	日期	DATE	描述	DESCRIPTION
GEHW MEDICAL SYSTEMS									名称	NGPDU-3 SCH
									TITLE	
设计	DECIGNER					比例	SCALE		文件代号	DOC.NO
审核	CHECKER									
复审	RECHECKER									
标审	STANDARD									
批准	APPROVAL					sheet	4 of 7			

State: RELEASE - Document is released and under formal Change Control. Changes are subject to the ECR/ECO Process. See the GEMS system for details of the status of this document.



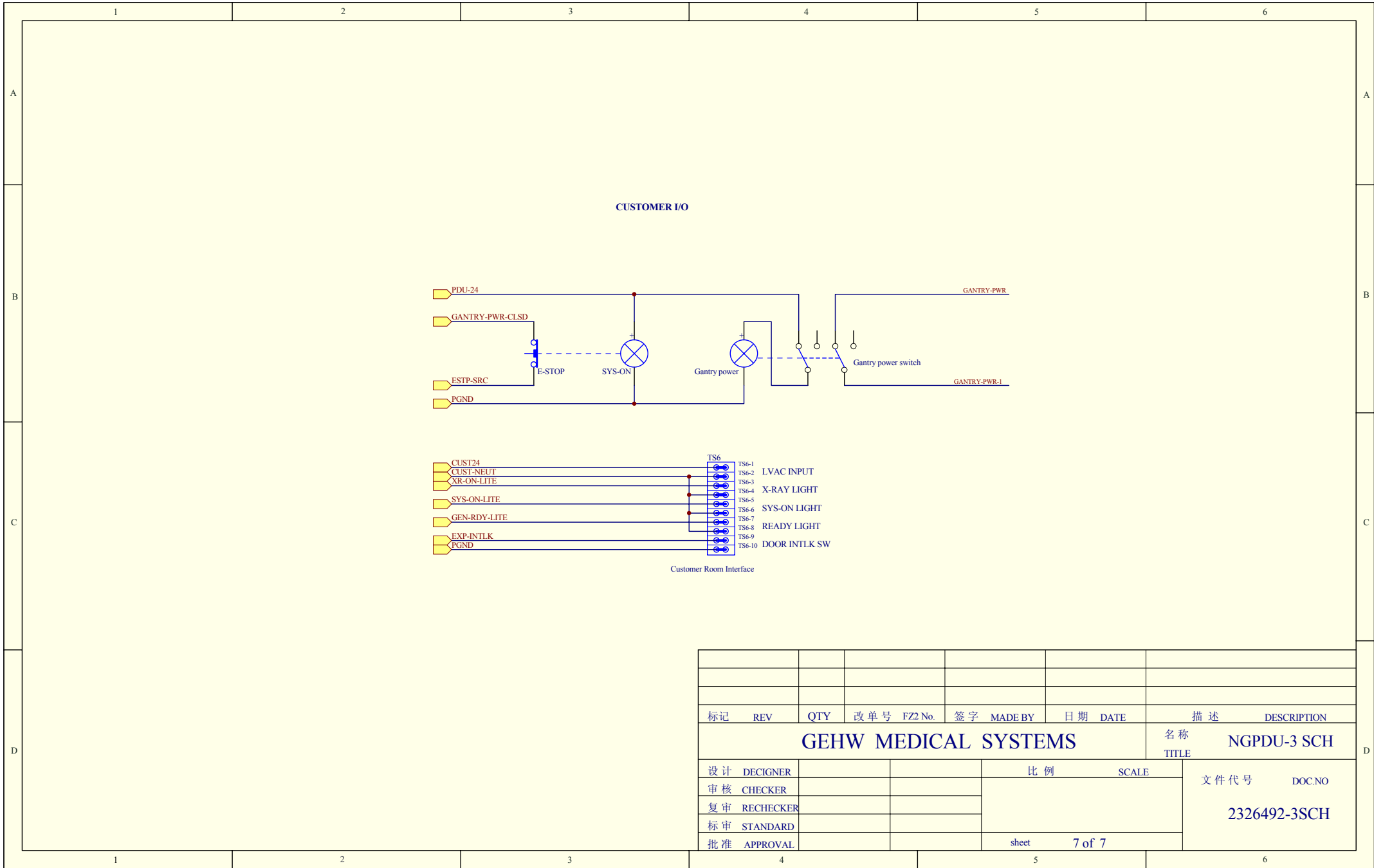
标记	REV	QTY	改单号	FZ2 No.	签字	MADE BY	日期	DATE	描述	DESCRIPTION
GEHW MEDICAL SYSTEMS								名称	NGPDU-3 SCH	
								TITLE		
设计	DECIGNER				比例		SCALE		文件代号 DOC.NO 2326492-3SCH	
审核	CHECKER									
复审	RECHECKER									
标审	STANDARD									
批准	APPROVAL				sheet		5 of 7			

State: RELEASE - Document is released and under formal Change Control. Changes are subject to the ECR/ECO Process. See the GEM5 system status at the time of this document.



标记	REV	QTY	改单号	FZ2 No.	签字	MADE BY	日期	DATE	描述	DESCRIPTION
GEHW MEDICAL SYSTEMS									名称	NGPDU-3 SCH
									TITLE	
设计	DECIGNER					比例	SCALE		文件代号	DOC.NO
审核	CHECKER									
复审	RECHECKER									
标审	STANDARD									
批准	APPROVAL					sheet	6 of 7			

State: RELEASE - Document is released and under formal Change Control. Changes are subject to the ECR/ECO Process. See the GEMMS for details of the system status at the time of this document.



标记	REV	QTY	改单号	FZ2 No.	签字	MADE BY	日期	DATE	描述	DESCRIPTION
GEHW MEDICAL SYSTEMS									名称	NGPDU-3 SCH
									TITLE	
设计	DECIGNER				比例			SCALE	文件代号	DOC.NO
审核	CHECKER									
复审	RECHECKER									
标审	STANDARD									
批准	APPROVAL				sheet			7 of 7		
									2326492-3SCH	