
Chapter 5

Console

[Section 1.0 : NIO16 Console Assembly, Page434.](#)

[Section 2.0 : TIO \(True-In-One\) Console Assembly, Page455.](#)

Section 1.0 — NIO16 Console Assembly

FRU = NO

MARK	NUMBER	QTY	FRU CODE	DESCRIPTION/NAME
10	5442200-EN	1.0	Yes	LABEL, Read Docs, Edition 3, English
1	5411200	1.0	No	NIO console assembly without cover
2	5411213	1.0	No	NIO16 rating plate
6	5405500	1.0	No	ETL Label for ETL Recognized Information Technology Equipment_CT OC_Beijing
8	5139485	1.0	No	WEEE LABEL WITH BIN ONLY

Table 5-1 NIO16 Console Assembly (5411192 BOM, rev 3)

NIO CONSOLE ASSEMBLY WITHOUT COVER (5411200)

FRU = NO

MARK	NUMBER	QTY	FRU CODE	DESCRIPTION/NAME
3	5143798-6	1.0	Yes	3-BUTTON USB OPTICAL MOUSE WITH FERRITE
5	5139480-2	1.0	Yes	8-Port Switch Kit with 4 cushions
6	5412903	1.0	Yes	Cable Assemblies for NTIO, Ethernet - CAT5e
11	U0202AC	13.0	Yes	CLAMP CV_150
12	U0203AC	12.0	Yes	CLAMP CV_200
13	46-136246P14	0.1	Yes	2- WIDE, WHT, ADH BACK, VELCRO LOOP 25 YD
14	46-136246P21	0.1	Yes	2- WIDE X 25 YD WHITE VELCRO HOOKS
17	1000-M6C012-04	1.0	Yes	Hexagon Socket Head Cap Screw, M6-1, X12mm Long, Grade 8.8 Steel, Zinc Plated, RoHS Fastener
18	2000-M6-03	1.0	Yes	Flat Washer, ISO7089, M6, Steel 200HV, Zinc Plated, RoHS Fastener
32	5332107-2	1.0	Yes	CABLE, DVI to D-SUB VIDEO CABLE
33	5408703	1.0	Yes	DP to DVI cable, 3 meter
34	5315013-2	1.0	Yes	Cable, Peripheral Tower to GOC6 Rear Bulkhead
35	5315370	2.0	Yes	CABLE, USB TYPE A-B
36	5366514	1.0	Yes	Cable, USB_Extend, RIO
37	5366514-2	1.0	Yes	Cable, USB_Extend, RIO

Table 5-2 NIO console assembly without cover (5411200 BOM, rev 8)

MARK	NUMBER	QTY	FRU CODE	DESCRIPTION/NAME
38	5315013-3	1.0	Yes	Power Cable, Right Monitor to GOC6 Rear Bulkhead
39	5315013-4	1.0	Yes	Power Cable, Left Monitor to GOC6 Rear Bulkhead
1	5412361	1.0	No	NIO chassis HLB
2	5411201	1.0	No	NIO Host computer assy
7	5413413	1.0	No	NIO16 PORT LABEL
15	1007-M4C010-14	6.0	No	Phillips Pan Head Screw, ISO 7045, M4-0.7, X10mm Long, Grade 4.8 Steel, Zinc Plated, RoHS Fastener

Table 5-2 NIO console assembly without cover (5411200 BOM, rev 8)

1.1 NIO chassis HLB(5412361)

FRU = NO

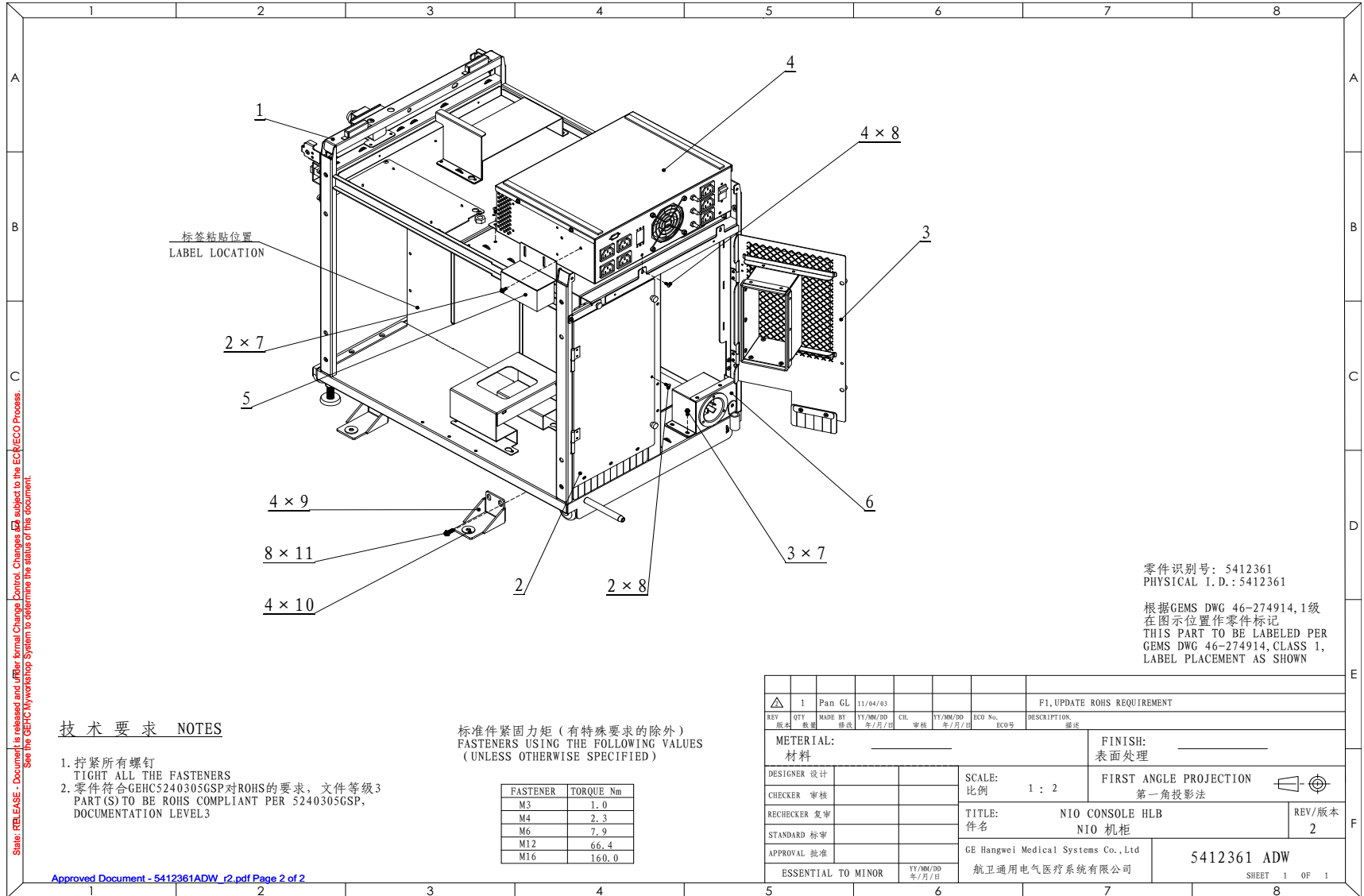


Figure 5-1 NIO chassis HLB (5412361, sheet 1, rev 2)

MARK	NUMBER	QTY	FRU CODE	DESCRIPTION/NAME
4	5412524	1.0	Yes	NIO OUTLET AC BOX ASSY
6	5412805	1.0	Yes	POWER INLET ASSY FOR NIO
7	5340477	6.0	Yes	M4x10 flange screw, hexagon socket, RoHS
11	2262896-2	8.0	Yes	U0465AA FLANGE SOCKET
12	U0202AC	6.0	Yes	CLAMP CV_150
13	5366516	1.0	Yes	Power Cable, Host, RIO
14	5412946	1.0	Yes	Power Cable, Hub, NIO
1	5412363	1.0	No	NIO CHASSIS ASSY
2	5413267	1.0	No	NIO REAR LEFT DOOR ASSEMBLY
3	5412767	1.0	No	NIO RIGHT REAR DOOR ASSY
5	5364576	1.0	No	RIO CABLE L BRKT ASSY
8	5364542-2	6.0	No	U0131AA SCREW M4x10 TRUSS PHIL ST ZC
9	5357148	4.0	No	RIO ANTI SEISMIC BRACKET
10	2001-M8-02	4.0	No	Large Flat Washer, ISO7093, M8, Steel 140HV, Zinc Plated, RoHS Fastener

Table 5-3 NIO chassis HLB (5412361 BOM, rev 3)

1.1.1 NIO OUTLET AC BOX ASSY (5412524)

FRU = YES

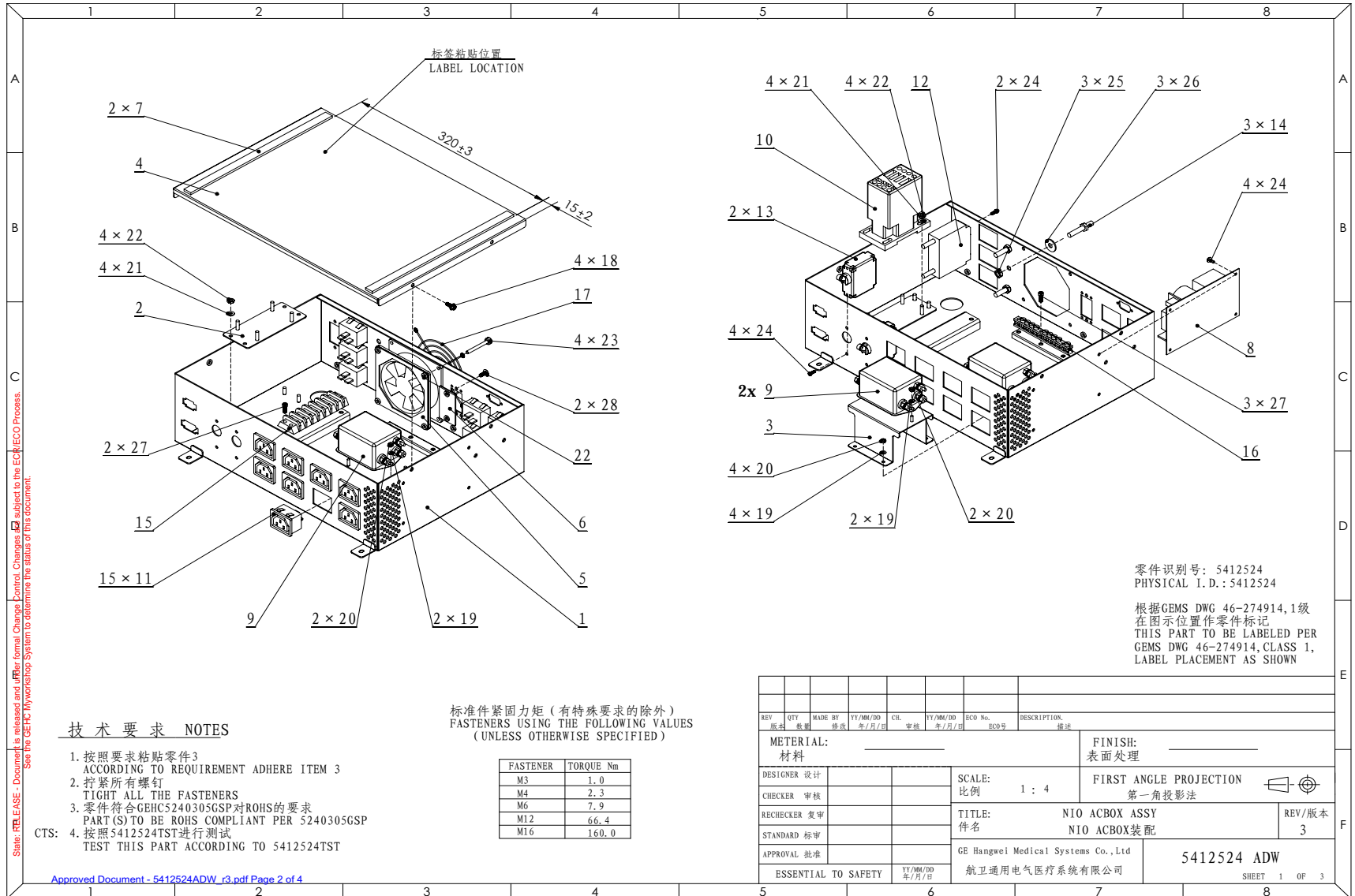


Figure 5-2 NIO OUTLET AC BOX ASSY (5412524, sheet 1, rev 3)

MARK	NUMBER	QTY	FRU CODE	DESCRIPTION/NAME
9	5315873	2.0	Yes	EMC POWER LINE FILTER, 250V, 15A
10	5324762	1.0	Yes	CONTACTOR
19	5340477	4.0	Yes	M4x10 flange screw, hexagon socket, RoHS
22	2000-M4-02	15.0	Yes	Flat Washer, ISO7089, M4, Steel 140HV, Zinc Plated, RoHS Fastener
23	3000-M4C-04	9.0	Yes	Hexagon Nut, ISO4032, M4-0.7, Grade 8 Steel, Zinc Plated, RoHS Fastener
24	1000-M4C040-04	4.0	Yes	Hexagon Socket Head Cap Screw, M4-0.7, X40mm Long, Grade 8.8 Steel, Zinc Plated, RoHS Fastener
1	5412369	1.0	No	NIO ACBOX WELDMENT
2	5366075	1.0	No	ACBOX Contactor bracket
3	5412370	1.0	No	NIO FILTER BRACKET
4	5412371	1.0	No	NIO ACBOX COVER
5	5351456	1.0	No	FAN NUT PLATE
6	5412769	1.0	No	NIO ELECTRICAL PART PLATE
7	5351353	2.0	No	EVA 250x12x3_3
8	5115027-3	1.0	No	Power supply triple output 90-264V 47-63 HZ AC IN 5V 7A +12V 3A -12V 2.5A OUT
11	5305886	15.0	No	IEC Power connector, female, 250V 15A
12	5418948	1.0	No	Circuit Breaker LELBX1-1-62-15.0-AG-M3-V
13	5315875	2.0	No	Circuit Breaker, 15 Amps, 240 Volts,
14	5194425-2	3.0	No	CONNEX MC EMB M TERRE D6X12_M6X25
15	5419708	1.0	No	Double Row Terminal Blocks
16	5315757	1.0	No	Ground Bar, 9 position
18	5365962	1.0	No	U0614AM Finger guard recon Cj64
20	2001-M3-02	8.0	No	Large Flat Washer, ISO7093, M3, Steel 140HV, Zinc Plated, RoHS Fastener
21	3000-M3C-04	8.0	No	Hexagon Nut, ISO4032, M3-0.5, Grade 8 Steel, Zinc Plated, RoHS Fastener
25	1007-M3C006-14	10.0	No	Phillips Pan Head Screw, ISO 7045, M3-0.5, X6mm Long, Grade 4.8 Steel, Zinc Plated, RoHS Fastener
26	3000-M6C-04	3.0	No	Hexagon Nut, ISO4032, M6-1.0, Grade 8 Steel, Zinc Plated, RoHS Fastener

Table 5-4 NIO OUTLET AC BOX ASSY (5412524 BOM, rev 4)

MARK	NUMBER	QTY	FRU CODE	DESCRIPTION/NAME
27	2001-M6-02	3.0	No	Large Flat Washer, ISO7093, M6, Steel 140HV, Zinc Plated, RoHS Fastener
28	1000-M4C016-04	3.0	No	Hexagon Socket Head Cap Screw, M4-0.7, X16mm Long, Grade 8.8 Steel, Zinc Plated, RoHS Fastener
200	5500001-2	0.24	No	UL 1015 CSA TEW Stranded Wire 600V - Brown - 18AWG
201	5500001-3	0.155	No	UL 1015 CSA TEW Stranded Wire 600V - IEC Neutral Blue - 18AWG
202	5500001-202	2.1	No	UL 1015 CSA TEW Stranded Wire 600V - Brown - 14AWG
203	5500001-203	1.5	No	UL 1015 CSA TEW Stranded Wire 600V - IEC Neutral Blue - 14AWG
204	5500001-204	1.69	No	UL 1015 CSA TEW Stranded Wire 600V - Green-Yellow - 14AWG
205	5500001-5	0.105	No	UL 1015 CSA TEW Stranded Wire 600V - Black - 18AWG
206	5500001-6	0.23	No	UL 1015 CSA TEW Stranded Wire 600V - White - 18AWG
210	5412670	1.0	No	Cable harness power supply to GSCB and fan
211	5412759	1.0	No	Harness Filter to Power Supply in Outlet Box, NTIO
300	5309057	5.0	No	Pin universal mate n lok
301	5306255	2.0	No	MATE-N-LOK 2-position
302	5309053	14.0	No	terminal, ring tongue, PIDG, wire size 16-14 AWG
303	5310469	16.0	No	TERMINAL - FASTON INSULATED .250 X .032 #14-16 AWG
304	5306258	31.0	No	Terminal, 250 series quick-disconnect, 12-10 AWG
305	5342053	1.0	No	M4 Rign Terminal AWG#24
306	5309064	4.0	No	Terminal, ring M4 stud, 12-10 AWG
307	5417320	1.0	No	TERM, FER, CRP, 10AWG, NON-INSUL, ROHS
308	5310467	2.0	No	TERMINAL - RING INSULATED #10 #14-16 AWG
309	5417328	9.0	No	TERM, FER, CRP, 14AWG, NON-INSUL, ROHS
310	5417329	4.0	No	TERM, FER, CRP, 18AWG, NON-INSUL, ROHS
311	5339620	5.0	No	TERMINAL RING TONGUE, #12-#10, NYLON, PIDG, COLOR YELLOW
313	5350565	3.0	No	MATE-N-LOK 3 POSITION IN LINE RECEPTACLE 94-V0

Table 5-4 NIO OUTLET AC BOX ASSY (5412524 BOM, rev 4)

1.1.2 POWER INLET ASSY FOR NIO (5412805)

FRU = YES

State: RELEASE - Document is released and under formal Change Control. Changes are subject to the ECR/ECO Process.
See the GEHC Myworkshop System to determine the status of this document.

Approved Document - 5412805ADW_r4.pdf Page 2 of 4

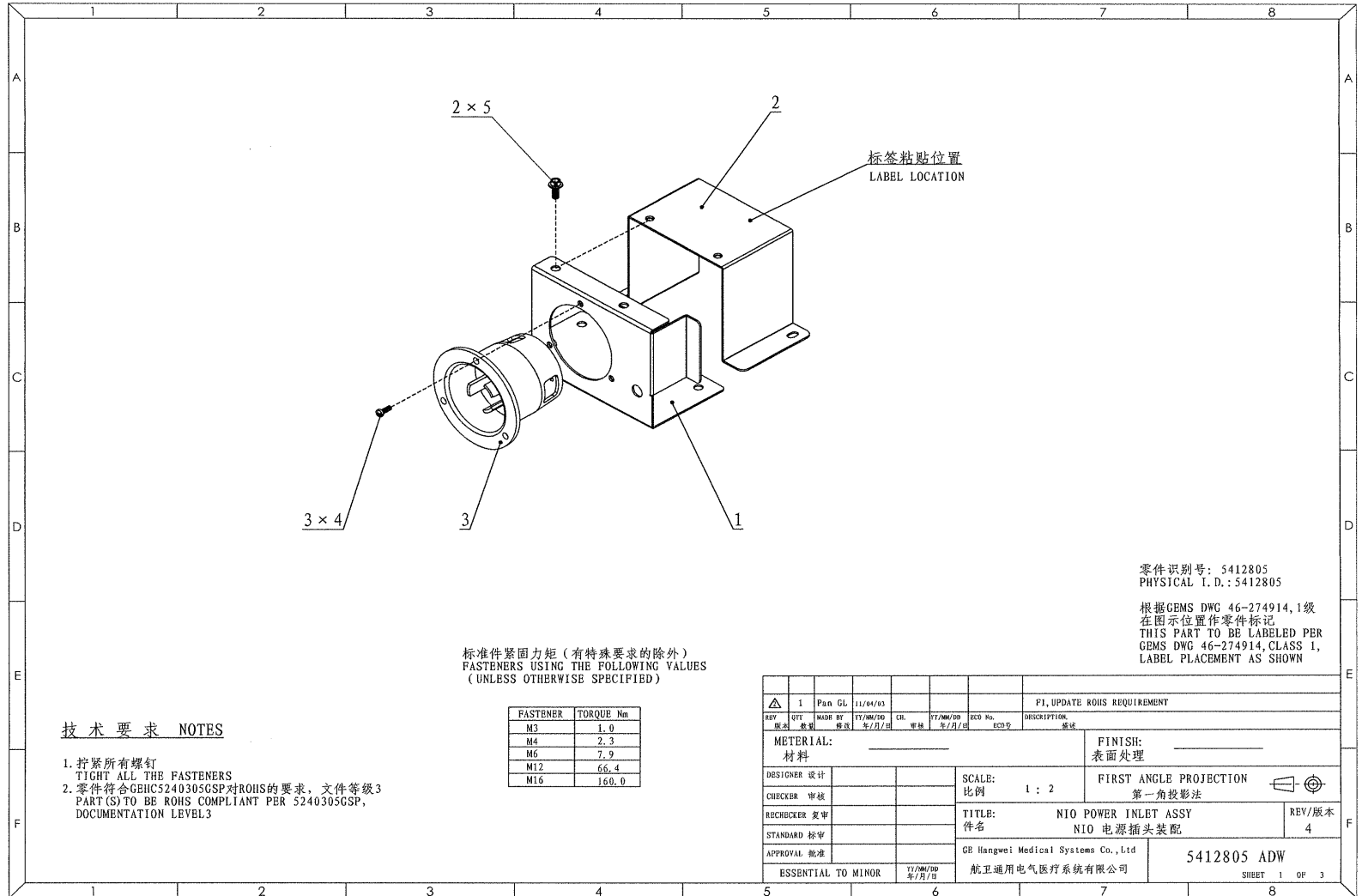


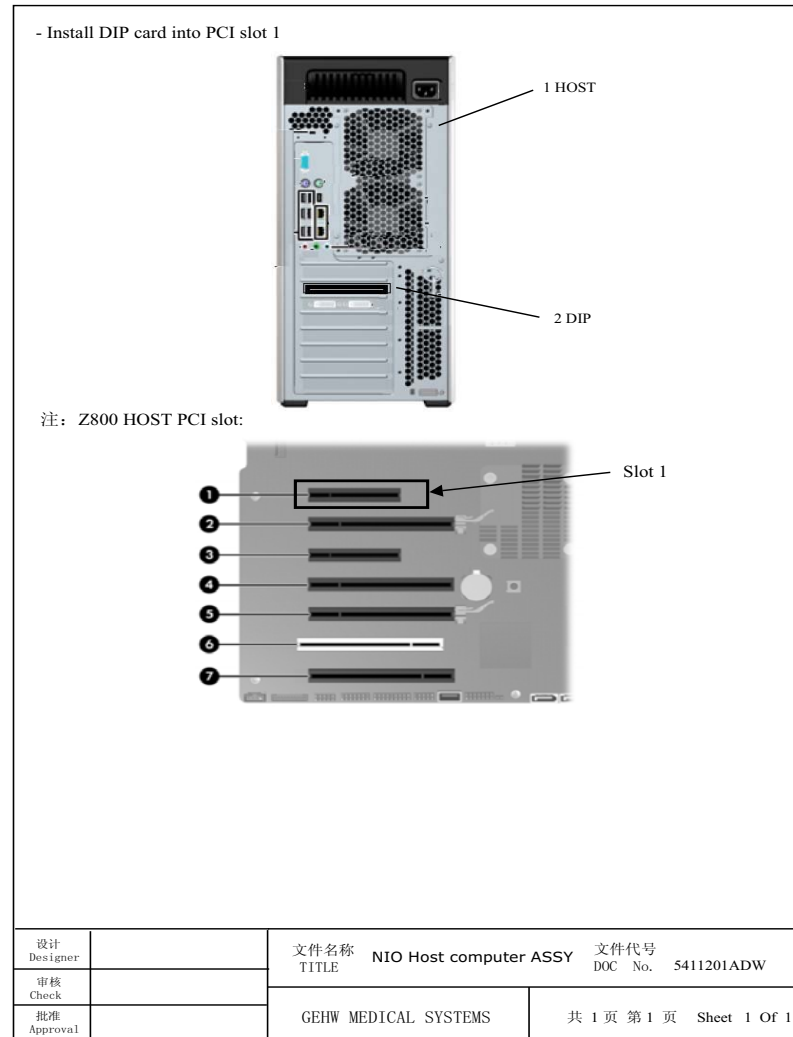
Figure 5-3 POWER INLET ASSY FOR NIO (5412805, sheet 1, rev 4)

MARK	NUMBER	QTY	FRU CODE	DESCRIPTION/NAME
3	5340810	1.0	Yes	HUBBELL FLANGED INLET HBL2315
1	5412372	1.0	No	NIO POWER INLET BRKT
2	5412373	1.0	No	NIO POWER INLET COVER
4	1007-M3C010-14	3.0	No	Phillips Pan Head Screw, ISO 7045, M3-0.5, X10mm Long, Grade 4.8 Steel, Zinc Plated, RoHS Fastener
5	5364542-2	2.0	No	U0131AA SCREW M4x10 TRUSS PHIL ST ZC
306	5309064	7.0	No	Terminal, ring M4 stud, 12-10 AWG
307	5417320	3.0	No	TERM, FER, CRP, 10AWG, NON-INSUL, ROHS
402	5500001-402	0.8	No	UL 1015 CSA TEW Stranded Wire 600V - Brown - 10AWG
403	5500001-403	0.8	No	UL 1015 CSA TEW Stranded Wire 600V - IEC Neutral Blue - 10AWG
404	5500001-404	0.7	No	UL 1015 CSA TEW Stranded Wire 600V - Green-Yellow - 10AWG

Table 5-5 POWER INLET ASSY FOR NIO (5412805 BOM, rev 5)

1.2 NIO Host computer assy (5411201)

FRU = NO



State: RELEASE - Document is released and under formal Change Control. Changes are subject to the ECR/ECO Process. See the GEHC Myworkshop System to determine the status of this document.

Approved Document - 5411201ADW_r1.pdf Page 2 of 2

Figure 5-4 NIO Host computer assy (5411201, sheet 1, rev 1)

MARK	NUMBER	QTY	FRU CODE	DESCRIPTION/NAME
1	5391136	1.0	Yes	HP Z800 computer
2	5391247	1.0	Yes	KDIP PWA

Table 5-6 NIO Host computer assy (5411201 BOM, rev 2)

1.3 Global Scan Control Box Assembly (5368687)

FRU = NO

MARK	NUMBER	QTY	FRU CODE	DESCRIPTION/NAME
1	5402332	1.0	Yes	Global Scan Control Box
2	5401238	1.0	No	Metal plate
3	1010-M3C008-14	4.0	No	Phillips Flat Head Screw, ISO 7046, M3-0.5, X8mm Long, Grade 4.8 Steel, Zinc Plated, RoHS Fastener

Table 5-7 Global Scan Control Box Assembly (5368687 BOM, rev 3)

1.3.1 Global Scan Control Box (5402332)

FRU = YES

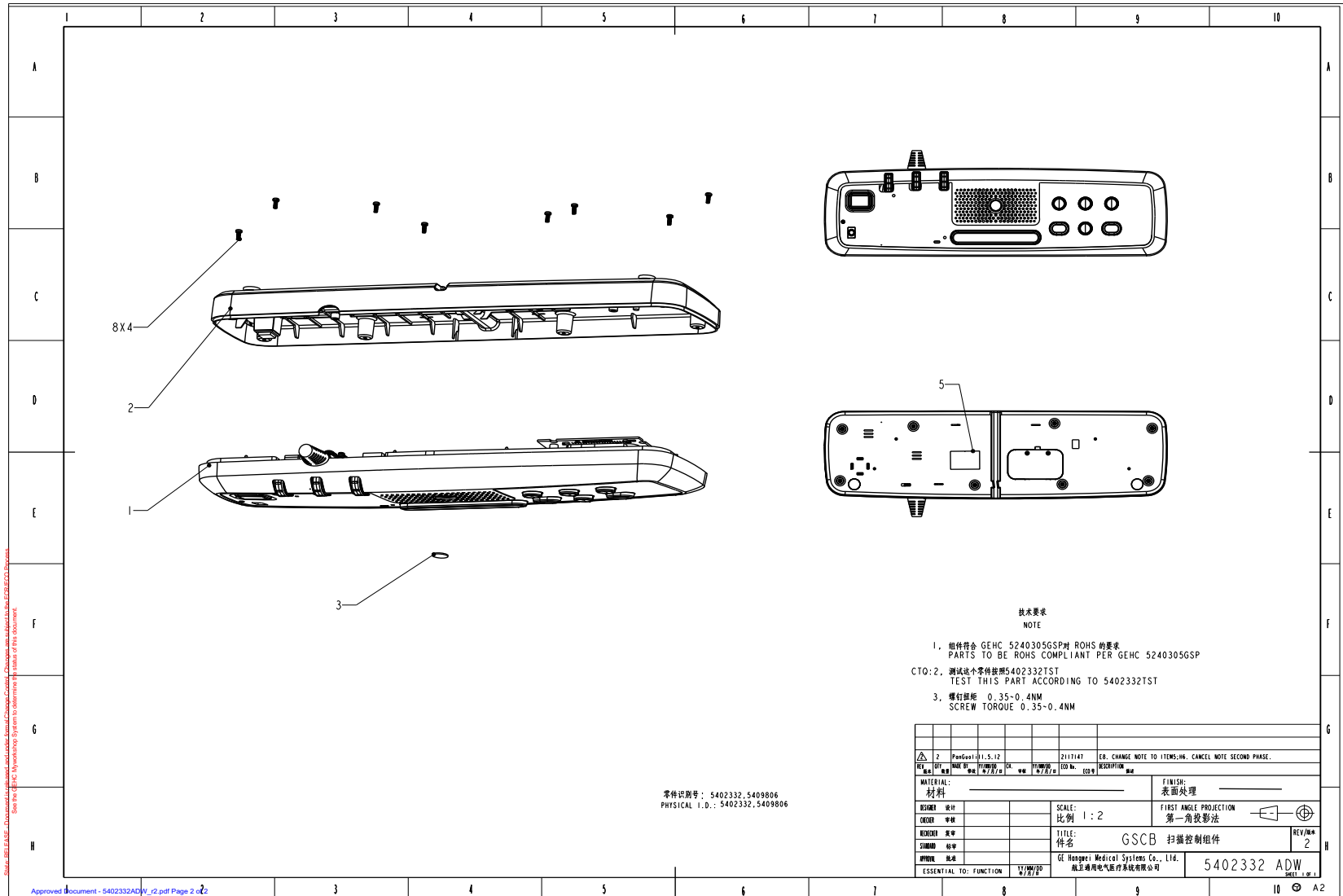


Figure 5-5 Global Scan Control Box (5402332, sheet 1, rev 2)

MARK	NUMBER	QTY	FRU CODE	DESCRIPTION/NAME
1	5401220	1.0	No	GSCB Front ASSY
2	5401233	1.0	No	GSCB Rear ASSY
3	5406931	1.0	No	GE Logo on GSCB
4	1007-M3C008-14	8.0	No	Phillips Pan Head Screw, ISO 7045, M3-0.5, X8mm Long, Grade 4.8 Steel, Zinc Plated, RoHS Fastener
5	5420423	1.0	No	UL label for GSCB standard

Table 5-8 Global Scan Control Box (5402332 BOM, rev 2)

1.3.2 GSCB Front ASSY(5401220)

FRU = NO

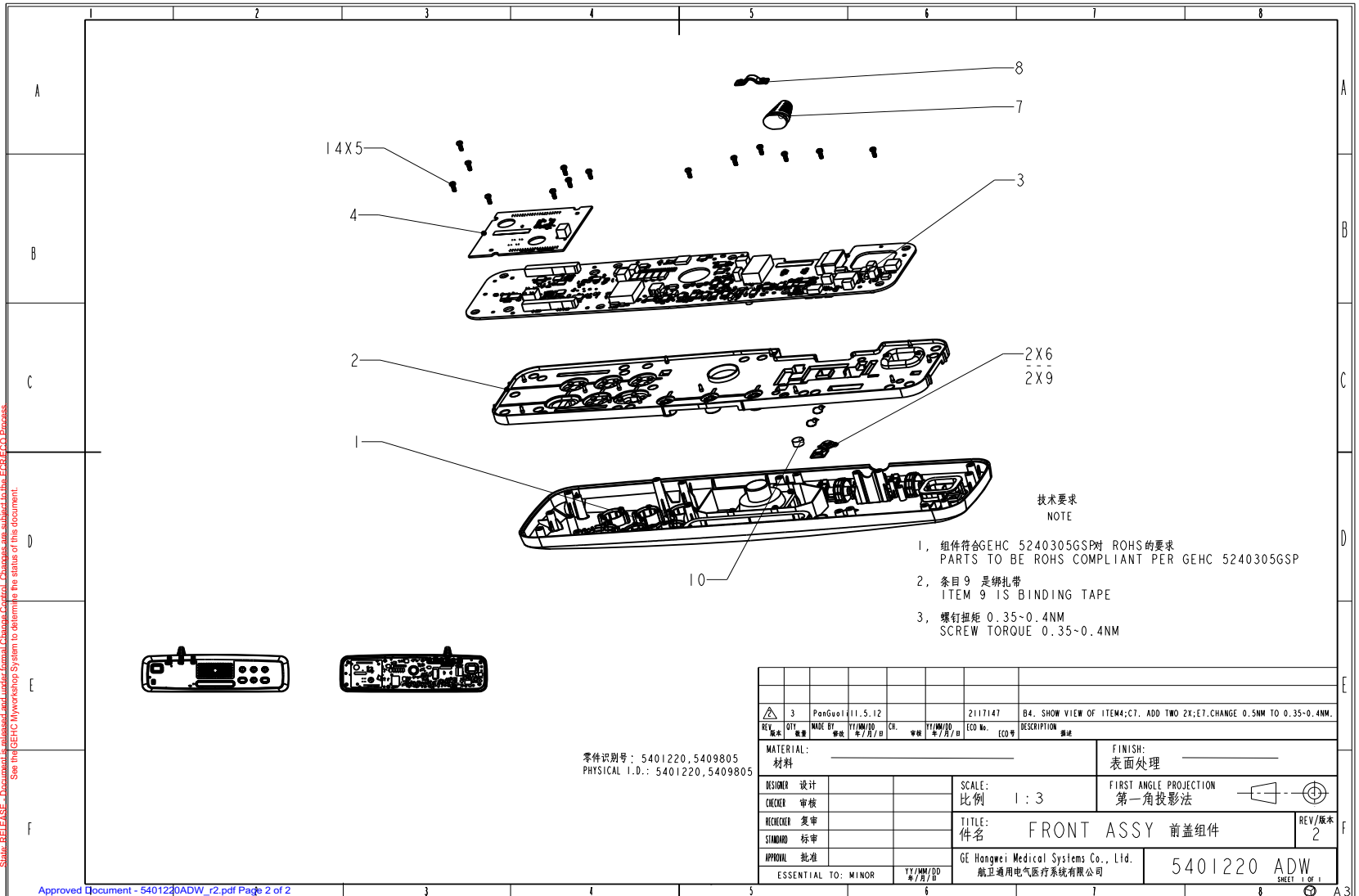


Figure 5-6 GSCB Front ASSY(5401220, sheet 1, rev 2)

MARK	NUMBER	QTY	FRU CODE	DESCRIPTION/NAME
1	5401221	1.0	No	Front cover assy
2	5401231	1.0	No	Waterproof rubber
3	5388720	1.0	No	Global Scan Control Box Main Board PWA
4	5402118	1.0	No	GSCB FPGA Board PWA
5	1007-M3C008-14	14.0	No	Phillips Pan Head Screw, ISO 7045, M3-0.5, X8mm Long, Grade 4.8 Steel, Zinc Plated, RoHS Fastener
6	5401232	2.0	No	SELF-ADHESIVE TIE MOUNT
7	5404262	1.0	No	GSCB cable
8	5401230	1.0	No	Clamp
9	5394300	2.0	No	Nylon Cable Tie, 140mm Long, 3.70mm Wide, RoHS Compliant
10	5402333	1.0	No	GSCB Microphone

Table 5-9 GSCB Front ASSY(5401220 BOM, rev 2)

1.3.3 GSCB Rear ASSY(5401233)

FRU = NO

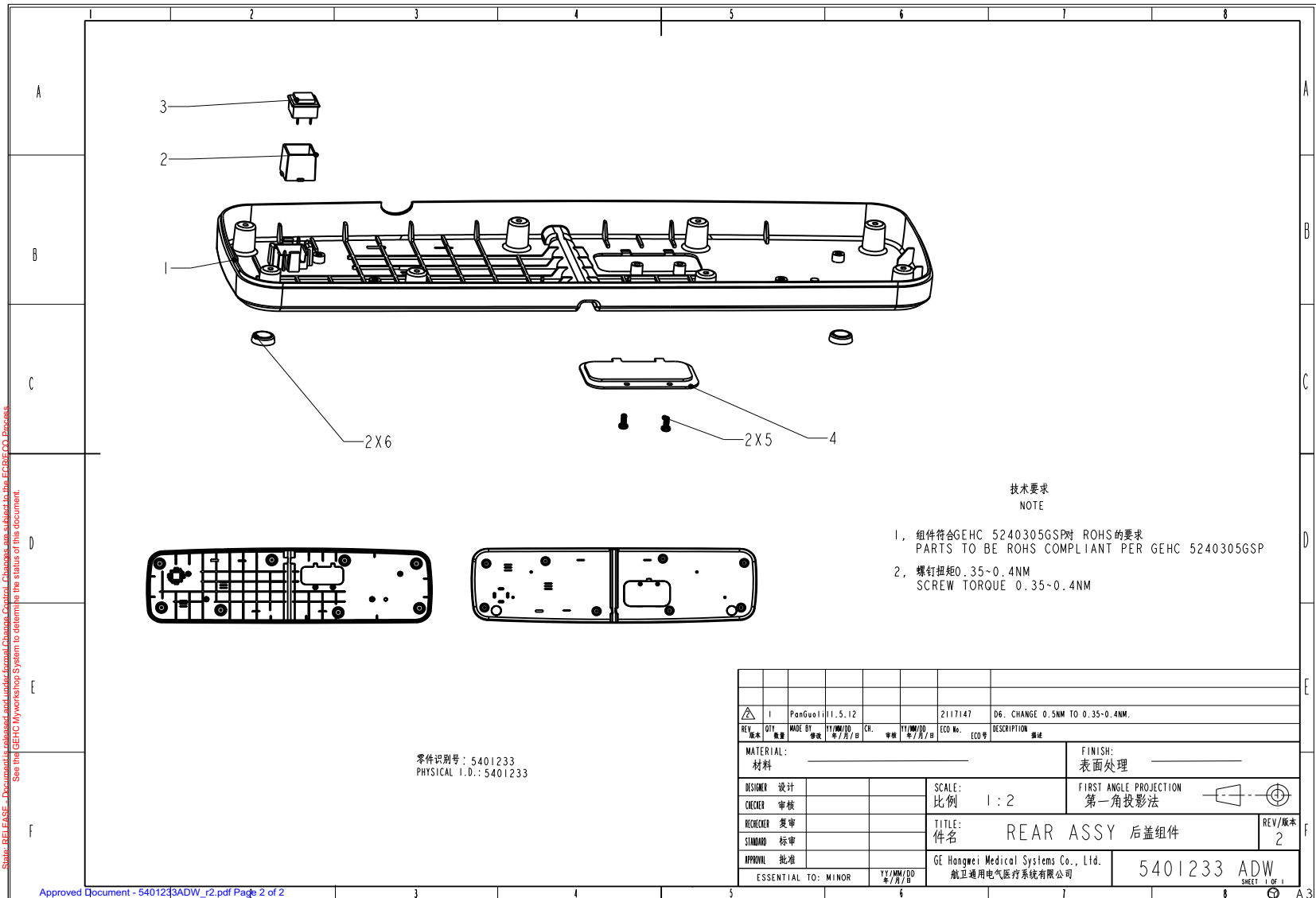


Figure 5-7 GSCB Rear ASSY(5401233, sheet 1, rev 2)

MARK	NUMBER	QTY	FRU CODE	DESCRIPTION/NAME
1	5410811	1.0	No	Rear Cover
2	5401235	1.0	No	E-stop holder
3	5401937	1.0	No	E-stop Button
4	5401236	1.0	No	Service cover
5	1007-M3C008-14	2.0	No	Phillips Pan Head Screw, ISO 7045, M3-0.5, X8mm Long, Grade 4.8 Steel, Zinc Plated, RoHS Fastener
6	5401938	2.0	No	Cushion on box

Table 5-10 GSCB Rear ASSY(5401233 BOM, rev 2)

1.4 Peripheral Tower 1-Bay Black Enclosure and Silver Bezel with DVD-RW Drive (5270510-11)

FRU = YES

MARK	NUMBER	QTY	FRU CODE	DESCRIPTION/NAME
1	5315725-3	1.0	No	Peripheral Tower 2-bay black enclosure and silver bezel including USB Adapters, 65-Watt Power Supply, and Fan with IEC Attention Symbol.
2	5370951-2	1.0	No	SATA to USB Converter
3	5370952-3	1.0	No	DVD,CD-RW Drive, SATA interface, black
4	5315725INSTALL	1.0	No	Peripheral Tower 2-bay black enclosure IEC Attention Symbol Installation Manual.

Table 5-11 Peripheral Tower 1-Bay Black Enclosure and Silver Bezel with DVD-RW Drive (5270510-11 BOM, rev 1)

Section 2.0 — TIO (True-In-One) Console Assembly

FRU = NO

MARK	NUMBER	QTY	FRU CODE	DESCRIPTION/NAME
5	5316029* 5339621	1.0	Yes	Scan Control Intercom Module - Black - CT Scan Control Intercom Module - Black
1	5343227	1.0	No	TIO console assembly without cover
2	5340995	1.0	No	TIO cover kit, Standard
3	5326809	1.0	No	Console Monitor Collector - Black
4	5235000-5-EN	1.0	No	Language Collector for GOC6, English

Note * 5339621 can replace 5316029 directly.

Table 5-12 TIO Console Assembly (5330382 BOM, rev 6)

TIO CONSOLE ASSEMBLY WITHOUT COVER (5343227)

FRU = NO

MARK	NUMBER	QTY	FRU	DESCRIPTION/NAME
2	5132092	1.0	Yes	Three Button Optical Mouse
3	5270510-3	1.0	Yes	Peripheral Tower 2-bay black enclosure and silver bezel with DVD-RAM and DVD-RW drives {For further detail, see Section 2.2, beginning on page 482. }
4	5160575-2	1.0	Yes	PS_2 EXTENSION CABLE
5	5340715* 5405579	2.0	Yes	DVD RAM Disk for saving system state DVD RAM Bare Media
8	5315370	3.0	Yes	CABLE, USB TYPE A-B
9	5160574	1.0	Yes	USB EXTENSION CABLE
1	5339644	1.0	No	TIO OC assembly {For further detail, see Section 2.1, beginning on page 456. }
6	5346627	7.0	No	caution label

Note: *5405579 can replace 5340715 directly.

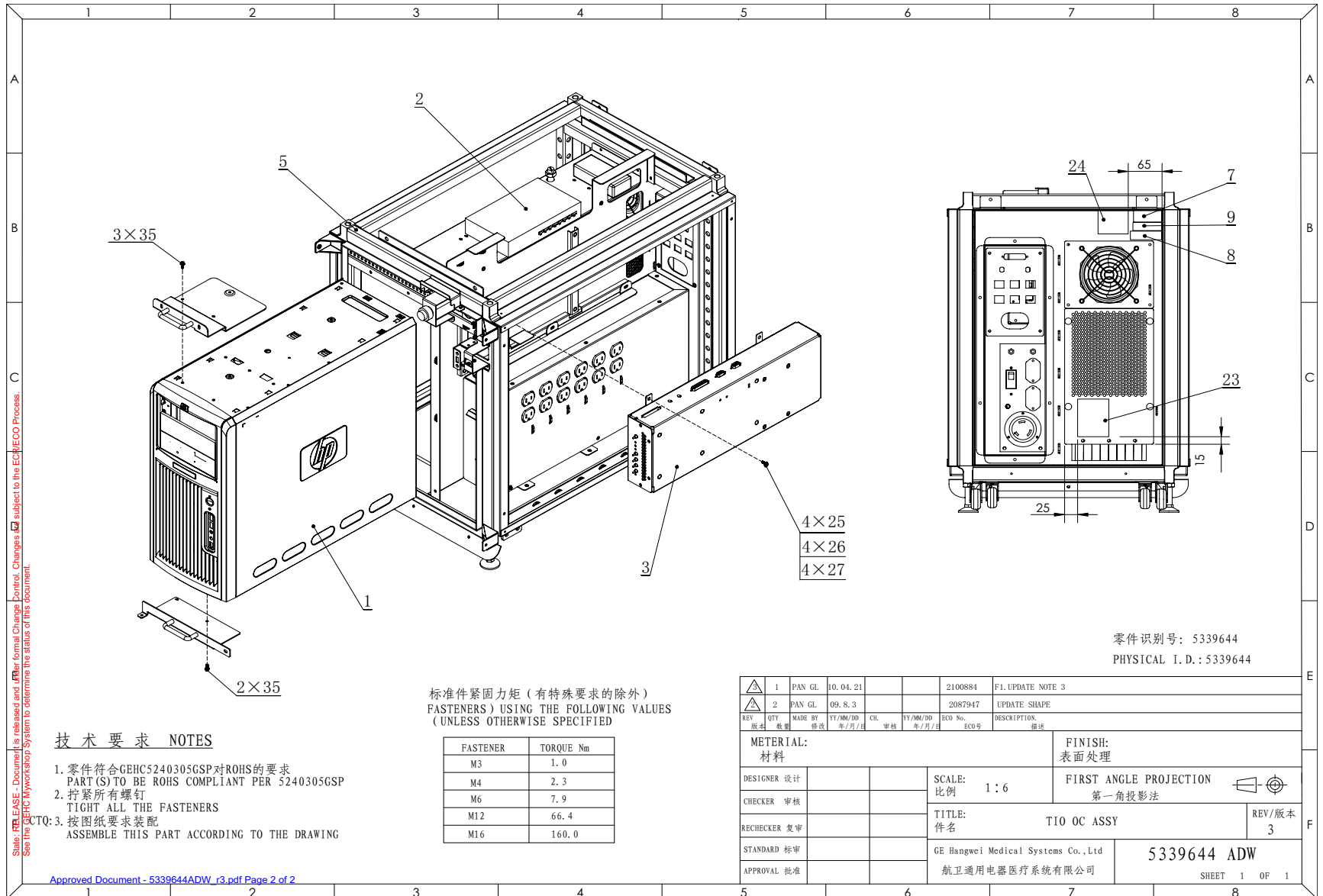
Note: 5270510-10 as substitute part for 5270510-3

5405579 as substitutes part for 5340715

Table 5-13 TIO Console Assembly without Cover (5343227 BOM, rev 10)

2.1 TIO OC Assembly (5339644)

FRU = NO



零件识别号: 5339644
PHYSICAL I. D.: 5339644

技术要求 NOTES

1. 零件符合GEHC5240305GSP对ROHS的要求
PART(S) TO BE ROHS COMPLIANT PER 5240305GSP
2. 拧紧所有螺钉
TIGHT ALL THE FASTENERS
- CTQ: 3. 按图纸要求装配
ASSEMBLE THIS PART ACCORDING TO THE DRAWING

标准件紧固力矩 (有特殊要求的除外)
FASTENERS USING THE FOLLOWING VALUES
(UNLESS OTHERWISE SPECIFIED)

FASTENER	TORQUE Nm
M3	1.0
M4	2.3
M6	7.9
M12	66.4
M16	160.0

1	PAN GL	10.04.21			2100884	F.L.UPDATE NOTE 3
2	PAN GL	09.8.3			2087947	UPDATE SHAPE
REV	数量	修改	YY/MM/DD	CL	YY/MM/DD	ECO No. ECO号
原数	数量	修改	年/月/日	审核	年/月/日	ECO号
MATERIAL: 材料						FINISH: 表面处理
DESIGNER 设计					SCALE: 比例	FIRST ANGLE PROJECTION 第一角投影法
CHECKER 审核					TITLE: 件名	REV/版本
RECHECKER 复审					TIO OC ASSY	3
STANDARD 标准					GE Hangwei Medical Systems Co.,Ltd	5339644 ADW
APPROVAL 批准					航卫通用电器医疗系统有限公司	SHEET 1 OF 1

Approved Document - 5339644ADW_r3.pdf Page 2 of 2

Figure 5-8 TIO OC Assembly (5339644, sheet 1, rev 3)

MARK	NUMBER	QTY	FRU	DESCRIPTION/NAME
	2262896-2	4.0	Yes	U0465AA FLANGE SOCKET
2	5264954	1.0	Yes	Switch, Ethernet 8-port GBe
3	2404320-3	1.0	Yes	CONSOLE ICOM {For further detail, see Section 2.1.2, beginning on page 462. }
4	5136650	1.0	Yes	ups-120vac to 12vdc,
8	2132620	1.0	Yes	EMC LABEL CLASS A GROUP 1
9	2117390-2	1.0	Yes	CE Compliance and WEEE Labels
10	5332093-2	1.0	Yes	CABLE, SCIM HD50-HD50
11	5332094-2	1.0	Yes	CABLE, AUDIO 3.5mm in
12	5332095-2	1.0	Yes	CABLE, AUDIO 3.5mm Out
13	5332096-2	1.0	Yes	Cable, RHARD DB9m-DB9f
14	5332097-2	1.0	Yes	CABLE-J20 GANTRY DATA
15	5332098-2	1.0	Yes	Cable, DIP Abort DB9f-DB9f
16	5332099-2	3.0	Yes	Power Cord 1.3meter
17	5332100-2	4.0	Yes	Power Cord 3.5meter
18	5332101-2	1.0	Yes	Cable, Ethernet - CAT5e, 4 twisted pair, 24awg solid copper, Shie
19	5332102-2	1.0	Yes	Cable Assembly, Ethernet - CAT5e, 4 twisted pair, 24awg solid copper, Shie
20	5332103-2	1.0	Yes	Cable, Ethernet - CAT5e, 4 twisted pair, 24awg solid copper, Shie
21	5332105-2	1.0	Yes	Cable, USB 2.0 type A male - A female, 0.6 Meter
22	5332107-2	2.0	Yes	CABLE, DVI to D-SUB VIDEO CABLE
29	46-136246P14	1.7	Yes	2~ WIDE, WHT, ADH BACK, VELCRO LOOP 25 YD
30	46-136246P21	1.7	Yes	2~ WIDE X 25 YD WHITE VELCRO HOOKS
31	46-221417P4	2.0	Yes	FEMALE SCREWLOCKS FOR HD CONNECTORS. 4-40 THREAD, 0.470 OVERALL LENGTH YELLOW CHROMATE, TWO PER KIT. 0.312 BOTTOM, 0.094 PANEL THK. MAX KIT INCLUDES NUTS AND WASHERS See drawing for approved vendor
32	U0204AC	15.0	Yes	CLAMP CV_300
33	U0203AC	30.0	Yes	CLAMP CV_200
34	U0202AC	10.0	Yes	CLAMP CV_150

Table 5-14 TIO OC Assembly (5339644 BOM, rev 4)

MARK	NUMBER	QTY	FRU	DESCRIPTION/NAME
35	5340477	6.0	Yes	M4x10 flange screw, hexagon socket, RoHS
1	5340261	1.0	No	Host computer assembly {For further detail, see Section 2.1.1, beginning on page 460. }
5	5334305	1.0	No	TIO chassis HLB {For further detail, see Section 2.1.3, beginning on page 464. }
7	5133331	1.0	No	ETL Label for OC
23	5334576	1.0	No	TIO USB and ethernet layout label
24	5340953	1.0	No	TIO rating plate
25	1000-M6C010-04	4.0	No	Hexagon Socket Head Cap Screw, M6-1, X10mm Long, Grade 8.8 Steel, Zinc Plated, RoHS Fastener
26	2000-M6-02	4.0	No	Flat Washer, ISO7089, M6, Steel 140HV, Zinc Plated, RoHS Fastener
27	2203-M6-07	4.0	No	Curved Lock Washer, DIN 128A, M6, Spring Steel, Zinc Plated, RoHS Fastener
28	3101-M3C-29	2.0	No	Hexagon Thin Nut, JIS B1181-attached, M3-0.5, Grade 4T Steel, Zinc Plated, RoHS Fastener
36	2205-M4-06	1.0	No	Internal Toothed Lock Washer, DIN 6797J, M4, Spring Steel, Zinc Plated, RoHS Fastener

Table 5-14 TIO OC Assembly (5339644 BOM, rev 4) (Continued)

2.1.1 Host computer Assembly (5340261)

FRU = NO

MARK	NUMBER	QTY	FRU	DESCRIPTION/NAME
1	5330953	1.0	Yes	HP XW8600
2	5342873	1.0	No	CDIP and optical fibres {For further detail, see Section 2.1.1.1, beginning on page 460. }

Table 5-15 Host computer Assembly (5340261 BOM, rev 2)

2.1.1.1 HP XW8600 (5330953)

FRU = YES

MARK	NUMBER	QTY	FRU	DESCRIPTION/NAME
1	5330953-6	1.0	Yes	Nvidia FX1700 PCI-E Graphics Card
2	5330953-5	1.0	Yes	1050 Watt Power Supply
3	5330953-4	1.0	Yes	146G SAS 15K RPM Disk Drive Fujitsu
4	5330953-7	1.0	Yes	5.25 DVD ROM drive
5	5330953-8	1.0	Yes	Nvidia FX4800C PCI-E Graphics Card
6	5330953-9	1.0	Yes	HP NC360T network card

Table 5-16 HP XW8600 (5330953 BOM, rev 7)

2.1.1.2 CDIP and Optical Fibres (5342873)

FRU = NO

MARK	NUMBER	QTY	FRU	DESCRIPTION/NAME
1	5220229* 5321277	1.0	Yes	CDIP CARD SEE NOTE CDIP2 Card
2	2318713-2	2.0	No	CABLE-FIBER OPTIC ST-SC X 3FT

Note: Order 5342874 when replace 5220229

Table 5-17 CDIP and Optical Fibres (5342873 BOM, rev 2)

MARK	NUMBER	QTY	FRU	DESCRIPTION/NAME
1	5321277	1.0	Yes	CDIP2 CARD
2	5332092-2	1.0	Yes	CABLE, Fiber Optic, 62.5-125um LDD

Table 5-18 CDIP2 and optical fibres (5342874 BOM, rev 1)

2.1.2 Console ICOM (2404320-3)

FRU = YES

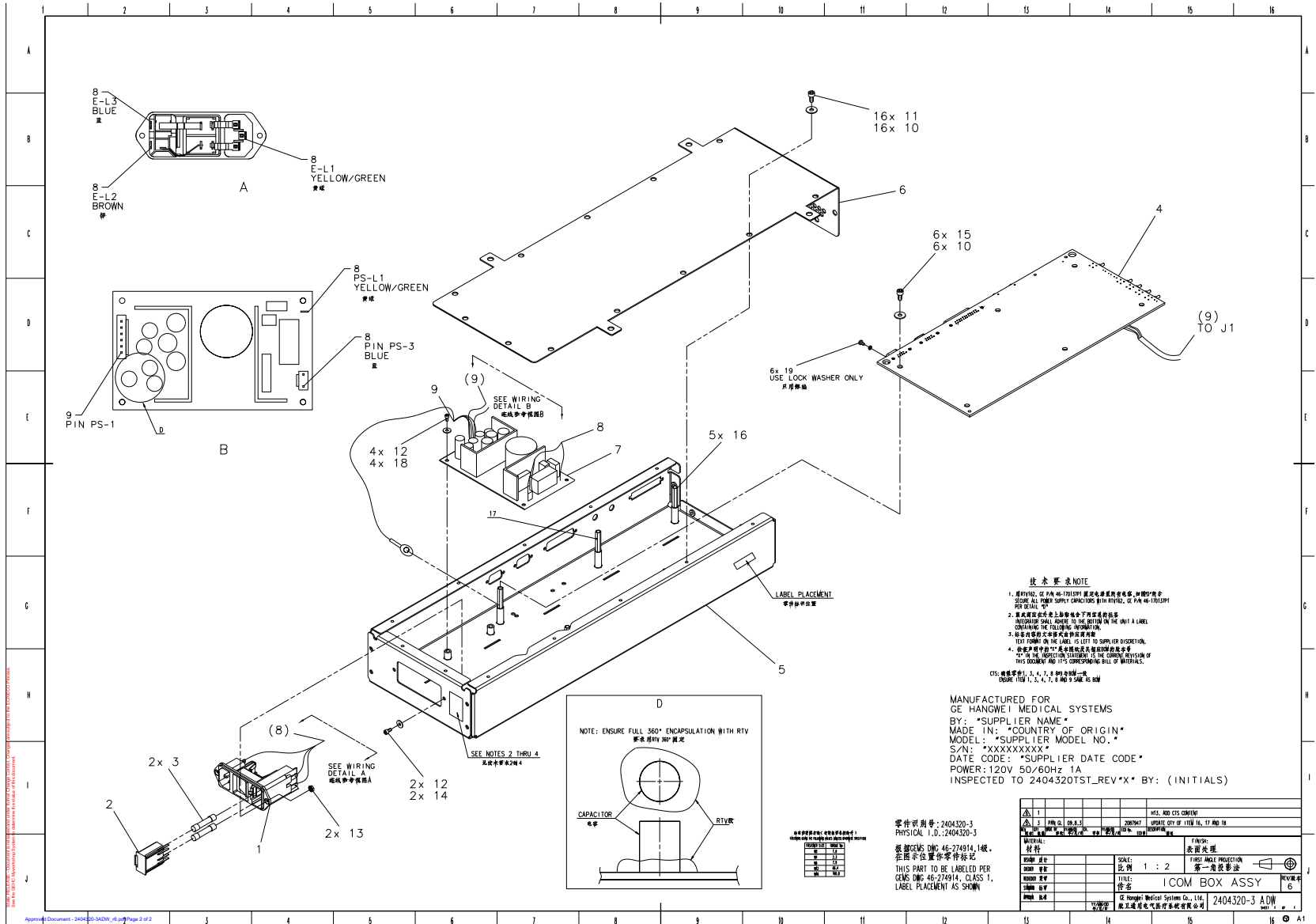


Figure 5-9 Console ICOM (2404320-3, sheet 1, rev 04)

MARK	NUMBER	QTY	FRU	DESCRIPTION/NAME
3	2374694	2.0	Yes	8A TIME DELAY FUSES
10	46-312577P14	22.0	Yes	SCREW HEAD CAP SCREW STEEL ZINC PLATED (FULL THREAD) PROPERTY CLASS 8.8 ***THIS PART IS REPLACED BY 46-328417P3***
11	46-328430P2	16.0	Yes	WASHER PLAIN - NORMAL 4.3 MM 9 MM ZINC PLATED, STEEL
13	46-312346P1	2.0	Yes	M3 X 0.5 ZINC PLATED METRIC HEX NUT WITH ATTACHED TOOTH LOCK WASHER
15	46-214941P2	6.0	Yes	FLAT WASHER, NYLON, M4
19	46-221417P1	3.0	Yes	FEMALE SCREWLOCKS, TWO PER KIT FOR HD CONNECTORS 4-40 THREAD 0.5 OVERALL LENGTH, YELLOW CHROMATE 0.312 BOTTOM, 0.062 PANEL THK. MAX KIT INCLUDES NUTS AND WASHERS
1	2370567	1.0	No	POWER ENTRY MODULE 2 POLE FUSING
2	2374174	1.0	No	POWER ENTRY FUSE DRAWER
4	5233006	1.0	No	GRE INTERCOM PWA
5	5114920-3	1.0	No	ICOM BASE
6	5114921-3	1.0	No	ICOM COVER
7	5304856	1.0	No	Power supply triple output 90-264V 47-63 HZ AC IN 5V 7A +12V 3A -12V 2.5A OUT
8	5115179	1.0	No	cable harness power entry to power supply
9	5115180	1.0	No	cable harness power supply to pwa
12	2276462	6.0	No	METRIC PLAIN FLAT WASHER 3.2MM ID X 7MM OD
14	46-312577P4	2.0	No	SCREW HEAD CAP SCREW STEEL ZINC PLATED (FULL THREAD) PROPERTY CLASS 8.8
16	2209282-3	5.0	No	HEX STANDOFF MALE/FEMALE M4 X 25MM
17	5128595	1.0	No	M4 x 25mm male female nylon hex stand off.
18	46-328417P73	4.0	No	SCREW HEXAGON SOCKET 3 MM 6 MM

Table 5-19 Console ICOM (2404320-3 BOM, rev 4)

2.1.3 TIO Chassis HLB (5334305)

FRU = NO

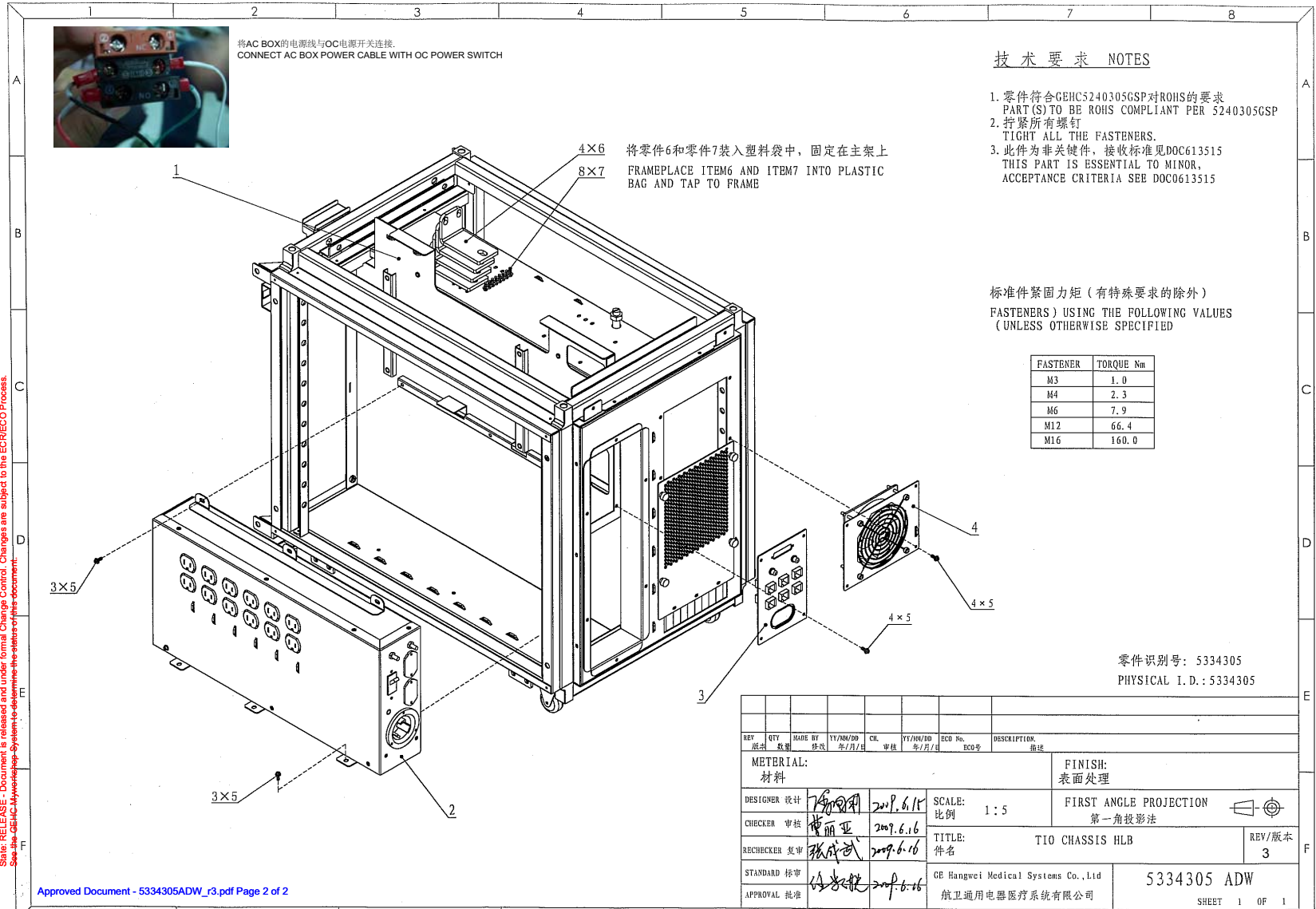


Figure 5-10 TIO Chassis HLB (5334305, sheet 1, rev 3)

MARK	NUMBER	QTY	FRU	DESCRIPTION/NAME
2	5332276	1.0	Yes	TIO AC Box Assy {For further detail, see Section 2.1.3.2, beginning on page 474. }
3	5340836	1.0	Yes	TIO bulkhead assy {For further detail, see Section 2.1.3.3, beginning on page 478. }
4	5334414	1.0	Yes	TIO FAN BOARD ASSY {For further detail, see Section 2.1.3.4, beginning on page 480. }
5	5340477	14.0	Yes	M4x10 flange screw, hexagon socket, RoHS
7	2262896-2	8.0	Yes	U0465AA FLANGE SOCKET
8	46-170686P3	1.0	Yes	LOCTITE 242, 50CC 12 MONTH SHELF LIFE FROM DATE OF SHIPMENT FROM THE MANUFACTURER.
1	5340474	1.0	No	TIO chassis Assy {For further detail, see Section 2.1.3.1, beginning on page 466. }
6	5332954	4.0	No	TIO ANTI SEISMIC BRACKET

Table 5-20 TIO Chassis HLB (5334305 BOM, rev 2)

2.1.3.1 TIO Chassis Assembly (5340474)

FRU = NO

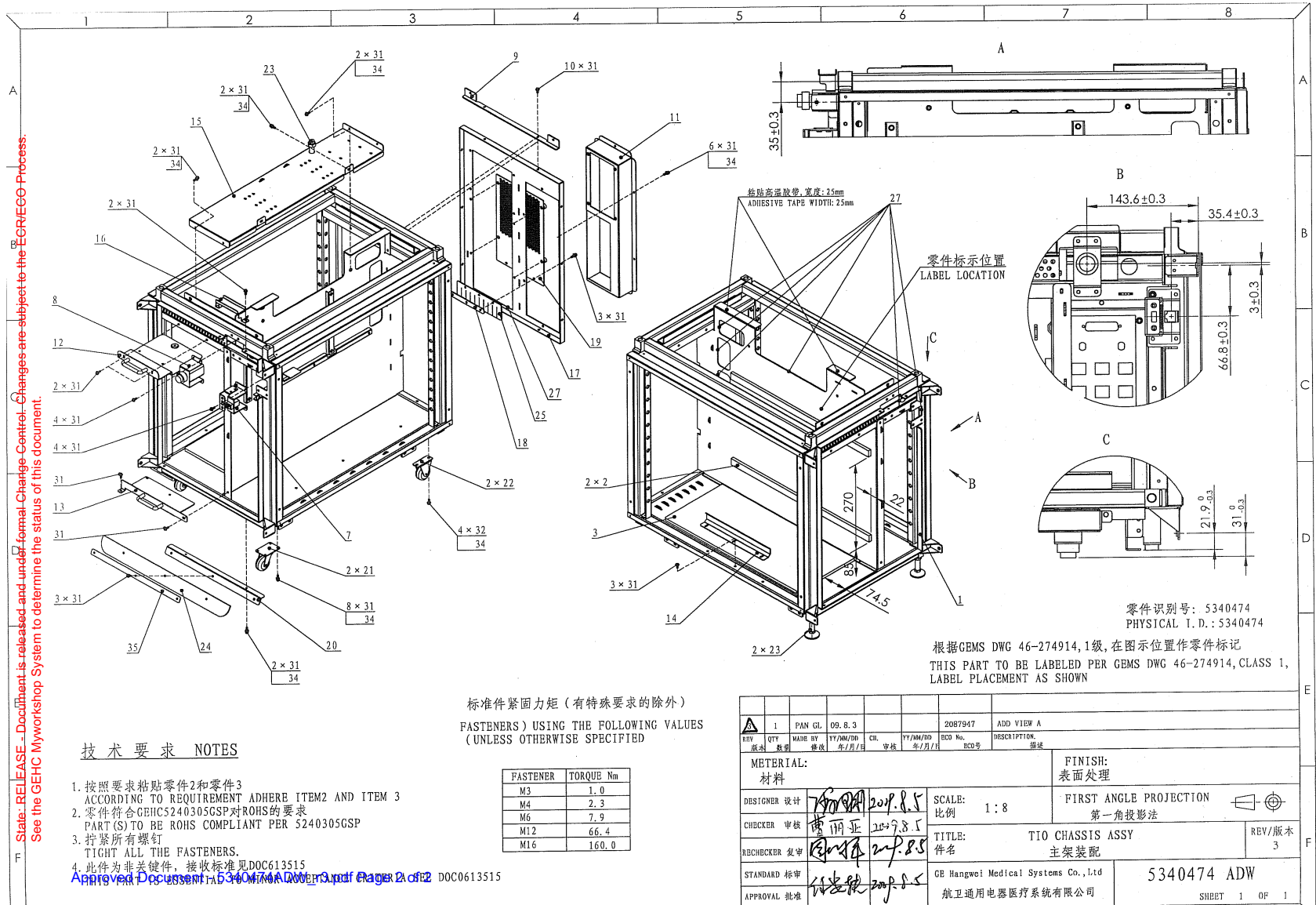


Figure 5-11 TIO Chassis Assembly (5340474, sheet 1, rev 3)

MARK	NUMBER	QTY	FRU	DESCRIPTION/NAME
27	U0502AC	2.6	Yes	PROTECTOR BUSHING KG-024
31	5340477	59.0	Yes	M4x10 flange screw, hexagon socket, RoHS
32	2262896-2	12.0	Yes	U0465AA FLANGE SOCKET
34	46-170686P3	1.0	Yes	LOCTITE 242, 50CC 12 MONTH SHELF LIFE FROM DATE OF SHIPMENT FROM THE MANUFACTURER.
1	5332919	1.0	No	TIO FRAME WELDMENT
2	5334306	2.0	No	EVA 500x20x8
3	5334307	1.0	No	EVA 480x210x6
7	5343708	1.0	No	USB and Ethernet Brkt Assy {For further detail, see Section , beginning on page 470.}
8	5343715	1.0	No	TIO Power Switch Assy {For further detail, see Section , beginning on page 472.}
9	5332953	1.0	No	TIO TOP SUPPORT SHEET
11	5332956	1.0	No	TIO PORT BOX
12	5334408	1.0	No	TIO PC BOX TOP LINK ASSY
13	5334409	1.0	No	TIO PC BOX BOTTOM LINK ASSY
14	5334412	1.0	No	TIO PC BOX BRACKET ASSY
15	5332960	1.0	No	TIO HUB BOX BRACKET
16	5340620	1.0	No	TIO SWITCH COVER SHEET
17	5332962	1.0	No	TIO REAR COVER SHEET
18	5332964	1.0	No	TIO RUBBER BRACKET
19	5340550	1.0	No	TIO mesh sheet
20	5340621	1.0	No	FRONT RUBBER BRACKET
21	U0108AE	2.0	No	CASTER CASTOR CASTER NO.102-N
22	U0114AE	2.0	No	CASTER CASTOR NO.602-N CASTER
23	5334423	3.0	No	ADJUSTABLE FOOT
24	5340625	1.0	No	TIO FRONT RUBBER CURTAIN
25	5340626	1.0	No	TIO REAR RUBBER CURTAIN

Table 5-21 TIO Chassis Assembly (5340474 BOM, rev 3)

MARK	NUMBER	QTY	FRU	DESCRIPTION/NAME
26	3000-M4C-04	3.0	No	Hexagon Nut, ISO4032, M4-0.7, Grade 8 Steel, Zinc Plated, RoHS Fastener
33	1004-M4C010-22	8.0	No	Hexagon Socket C-Sunk Head Screw, M4-0.7, X10mm Long, Grade10.9 Steel, Black Oxide, RoHS Fastener
35	5332920	1.0	No	TIO FRONT CURTAIN SAFEGUARD PLATE

Table 5-21 TIO Chassis Assembly (5340474 BOM, rev 3) (Continued)

USB and Ethernet Brkt Assembly (5343708)

FRU = NO

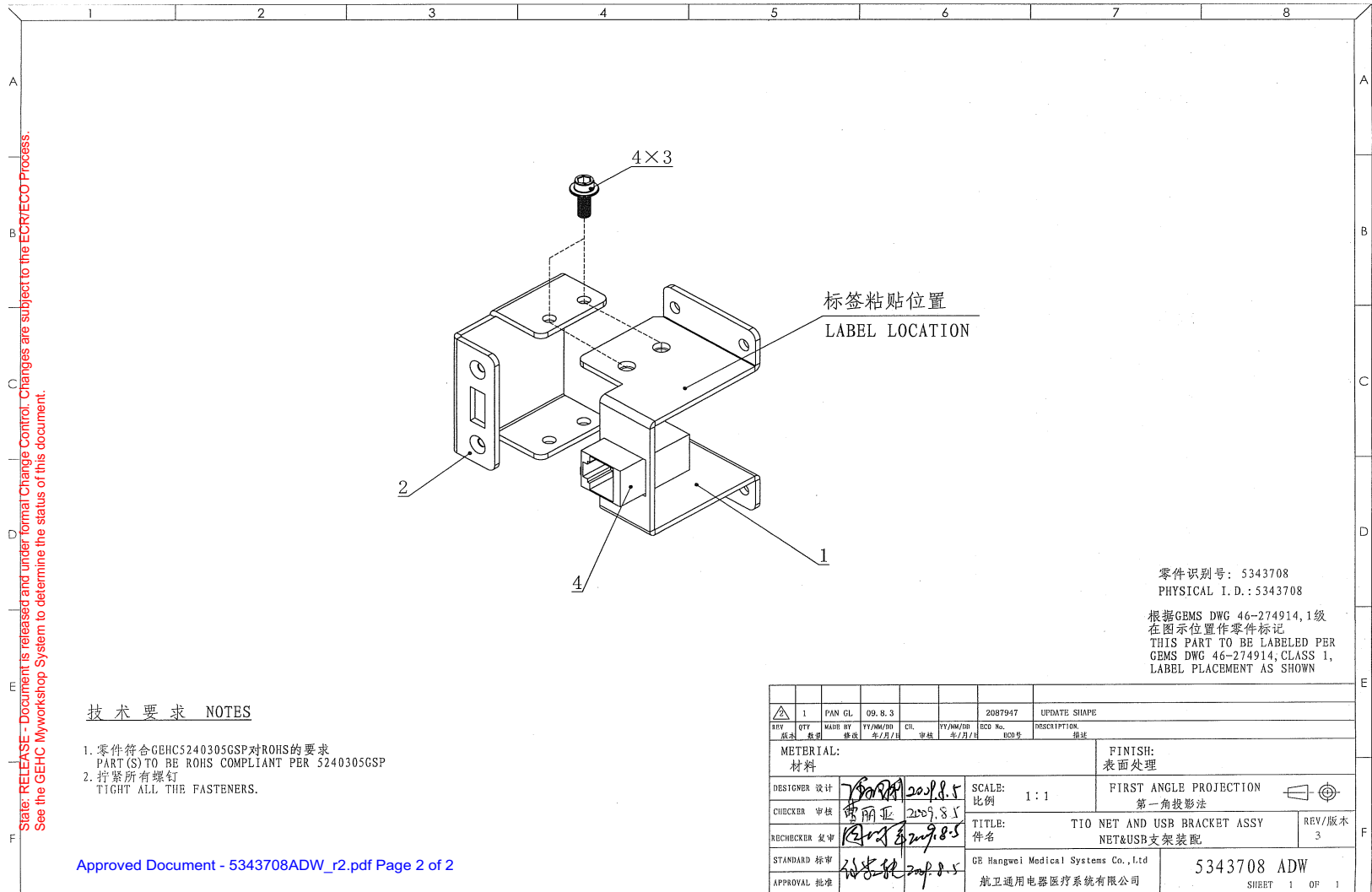


Figure 5-12 USB and Ethernet Brkt Assembly (5343708, sheet 1, rev 2)

MARK	NUMBER	QTY	FRU	DESCRIPTION/NAME
3	5340477	4.0	Yes	M4x10 flange screw, hexagon socket, RoHS
4	5122589	1.0	Yes	Adapter, Bulkhead RJ45 CAT5e Shielded, L-com #TDG1026KS-C5E
1	5343709	1.0	No	Ethernet port Brkt
2	5332950	1.0	No	USB BRACKET

Table 5-22 USB and Ethernet Brkt Assembly (5343708 BOM, rev 2)

TIO Power Switch Assembly (5343715)

FRU = NO

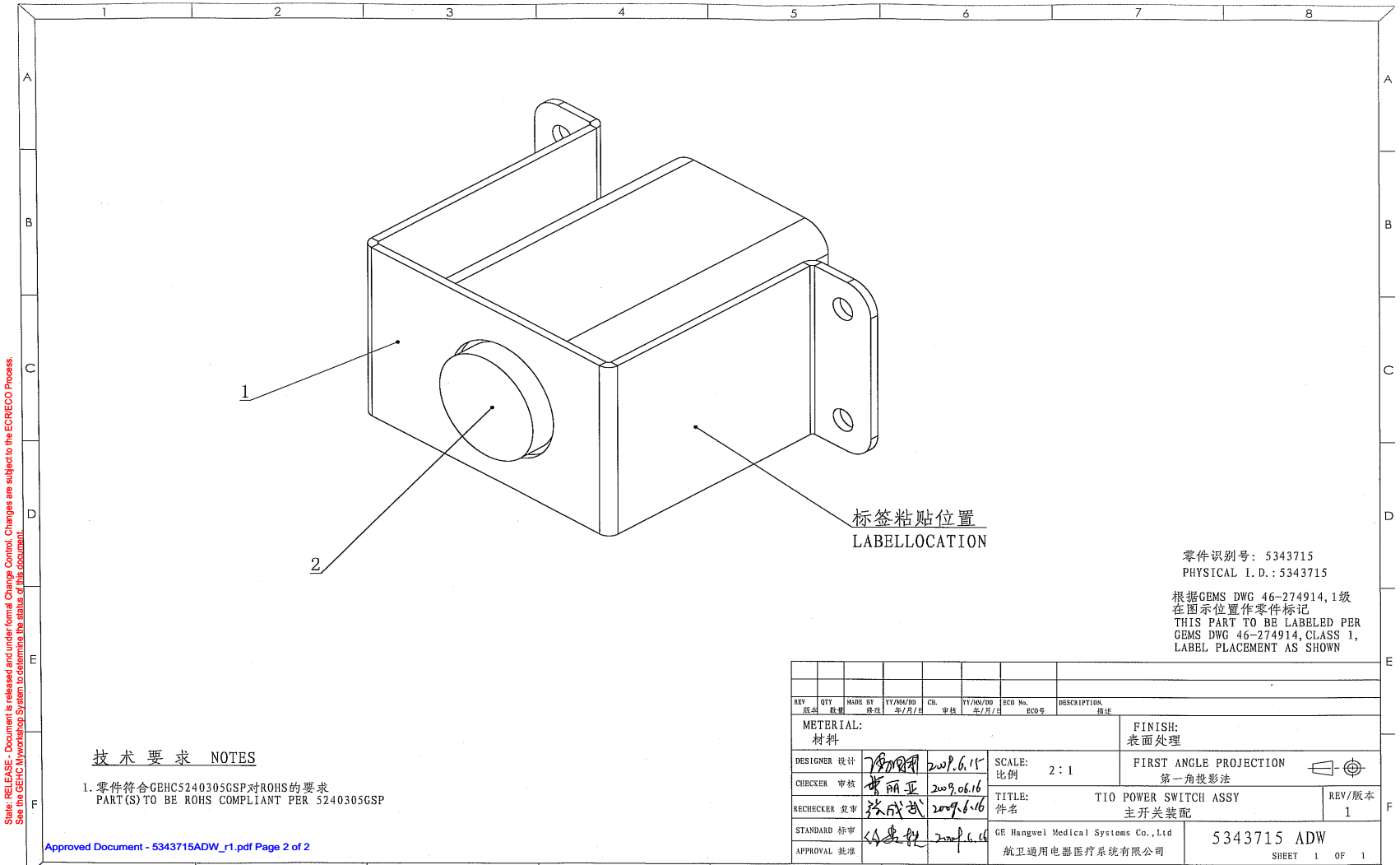


Figure 5-13 TIO Power Switch Assembly (5343715, sheet 1, rev 1)

MARK	NUMBER	QTY	FRU	DESCRIPTION/NAME
2	5332167	1.0	Yes	power switch
1	5332951	1.0	No	TIO SWITCH BRACKET

Table 5-23 TIO Power Switch Assembly (5343715 BOM, rev 1)

2.1.3.2 TIO AC Box Assembly (5332276)

FRU = YES

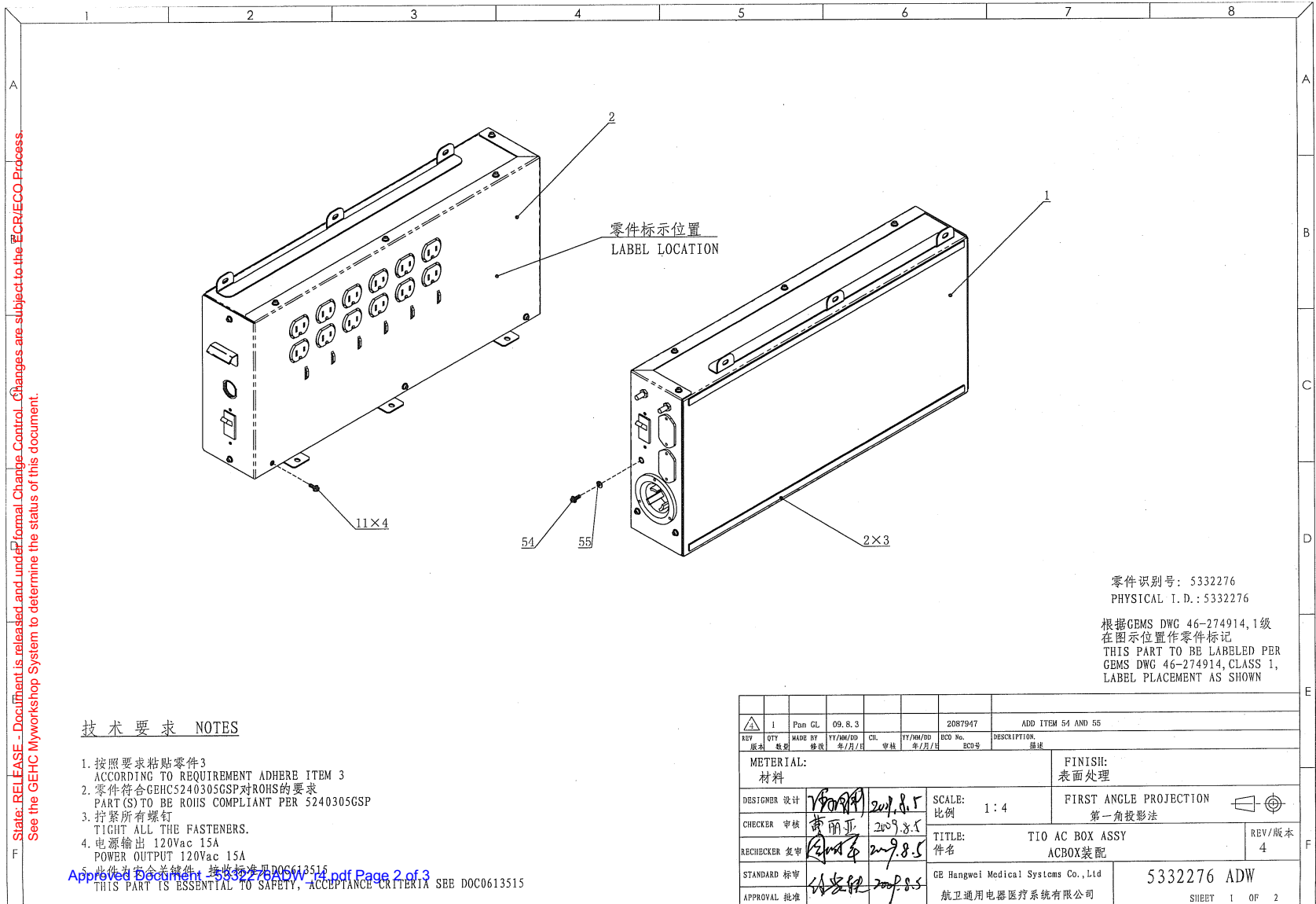
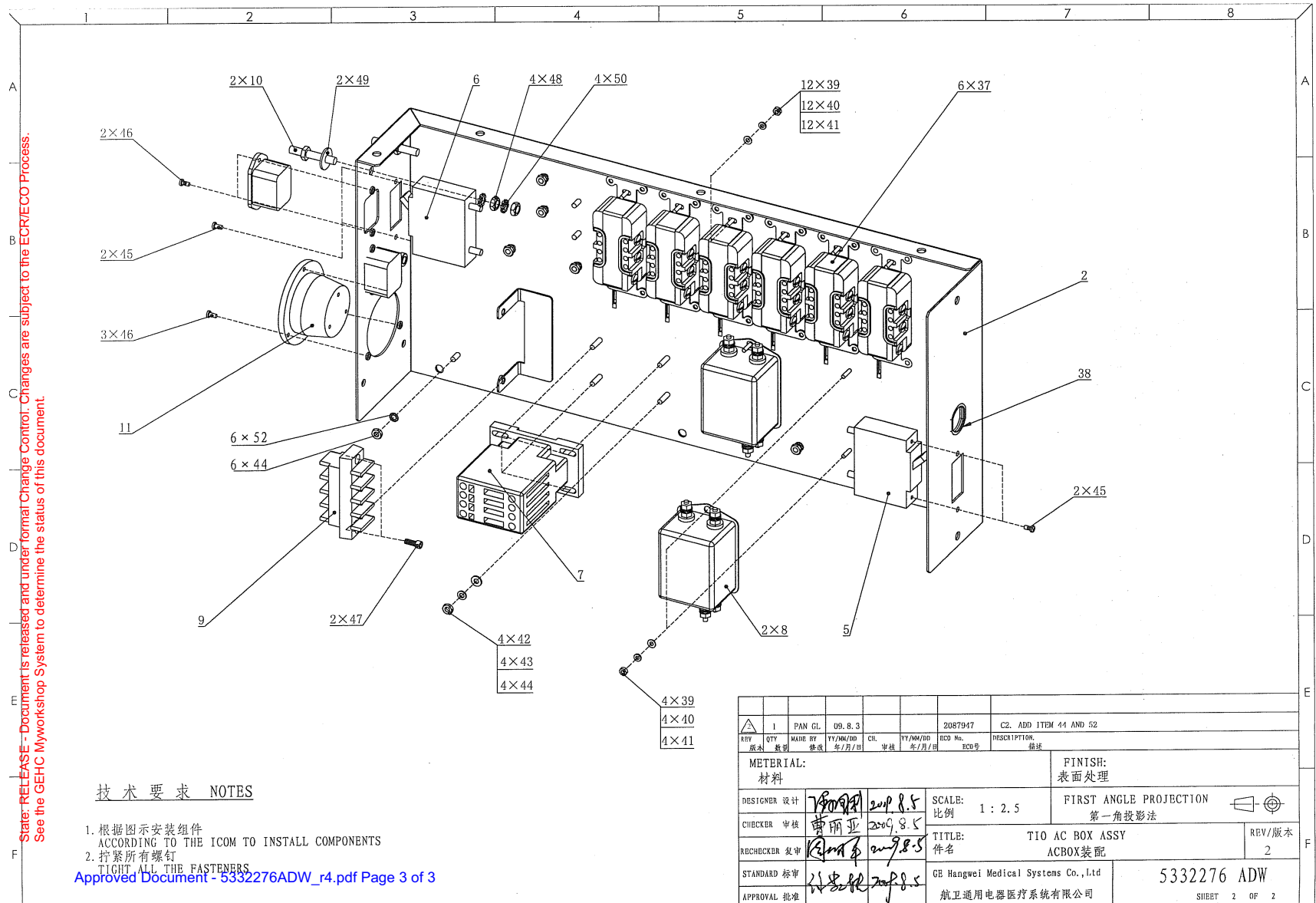


Figure 5-14 TIO AC Box Assembly (5332276, sheet 1, rev 4)



技术要求 NOTES

1. 根据图示安装组件
ACCORDING TO THE ICOM TO INSTALL COMPONENTS
 2. 拧紧所有螺钉
TIGHT ALL THE FASTENERS
- Approved Document - 5332276ADW_r4.pdf Page 3 of 3

REV	QTY	MADE BY	YY/MM/DD	CHK	YY/MM/DD	ECO No.	DESCRIPTION
版本	数量	修改	年/月/日	审核	年/月/日	ECO号	描述
MATERIAL: 材料							FINISH: 表面处理
DESIGNER 设计	7/30/09		2009.8.5	SCALE: 比例	1 : 2.5		FIRST ANGLE PROJECTION 第一角投影法
CHECKER 审核	曹丽亚		2009.8.5	TITLE: 件名	TIO AC BOX ASSY ACBOX装配		REV/版本 2
ARCHCHECKER 复审	曹丽亚		2009.8.5	GE Hangwei Medical Systems Co., Ltd			5332276 ADW
STANDARD 标审	曹丽亚		2009.8.5	航卫通用电器医疗系统有限公司			SHEET 2 OF 2
APPROVAL 批准	曹丽亚		2009.8.5				

Figure 5-15 TIO AC Box Assembly (5332276, sheet 2, rev 4)

MARK	NUMBER	QTY	FRU	DESCRIPTION/NAME
4	5340477	11.0	Yes	M4x10 flange screw, hexagon socket, RoHS
51	U0202AC	20.0	Yes	CLAMP CV_150
53	46-208747P1	1.0	Yes	ADHESIVE MOUNT - CABLE TIE PANDUIT CORP, ABMM-A(STYLE A)
54	2262896-2	1.0	Yes	U0465AA FLANGE SOCKET
1	5332971	1.0	No	TIO AC BOX BASE WLEDMENT
2	5332974	1.0	No	TIO AC BOX COVER WELDMENT
3	5340804	2.0	No	EVA 500_10_2
5	5332136	1.0	No	breaker LEL1-1-62-15.0-A-01-V
6	5332134	1.0	No	Breaker LEL1-1-62-7.50-A-01-V
7	5324762	1.0	No	CONTACTOR
8	5315873	2.0	No	EMC POWER LINE FILTER, 250V, 15A
9	5332190	1.0	No	Barrier style terminal block
10	5194425	2.0	No	CONNEX MC EMB M TERRE D6X12_M6X25
11	5340810	1.0	No	HUBBELL FLANGED INLET HBL2315
12	5332109-2	2.0	No	CABLE, Power cable to external option
13	5332110-2	5.0	No	CABLE, UL 1015 Stranded Wire 600V - IEC Green-Yellow - 14AWG
14	5332111-2	4.0	No	CABLE, UL 1015 Stranded Wire IEC 600V - Brown - 14AWG
15	5332112-2	2.0	No	CABLE, UL 1015 Stranded Wire IEC 600V - Brown - 14AWG
16	5332113-2	4.0	No	CABLE, UL 1015 Stranded Wire IEC 600V - Blue - 14AWG
17	5332114-2	2.0	No	CABLE, UL 1015 Stranded Wire IEC 600V - Blue - 14AWG
18	5332115-2	1.0	No	CABLE, UL 1015 Stranded Wire IEC 600V - Blue - 14AWG
19	5332117-2	2.0	No	CABLE, UL 1015 Stranded Wire 600V IEC- Green-Yellow - 14AWG
20	5332118-2	1.0	No	CABLE, UL 1015 Stranded Wire 600V IEC- Green-Yellow - 14AWG
22	5332700-2	1.0	No	CABLE, UL 1015 Stranded Wire 600V IEC- Green-Yellow - 10AWG
23	5332701-2	1.0	No	CABLE, UL 1015 Stranded Wire 600V IEC- Brown - 14AWG
24	5332702-2	1.0	No	CABLE, UL 1015 Stranded Wire 600V IEC- Brown - 14AWG
25	5332703-2	1.0	No	CABLE, UL 1015 Stranded Wire 600V IEC- Brown - 14AWG

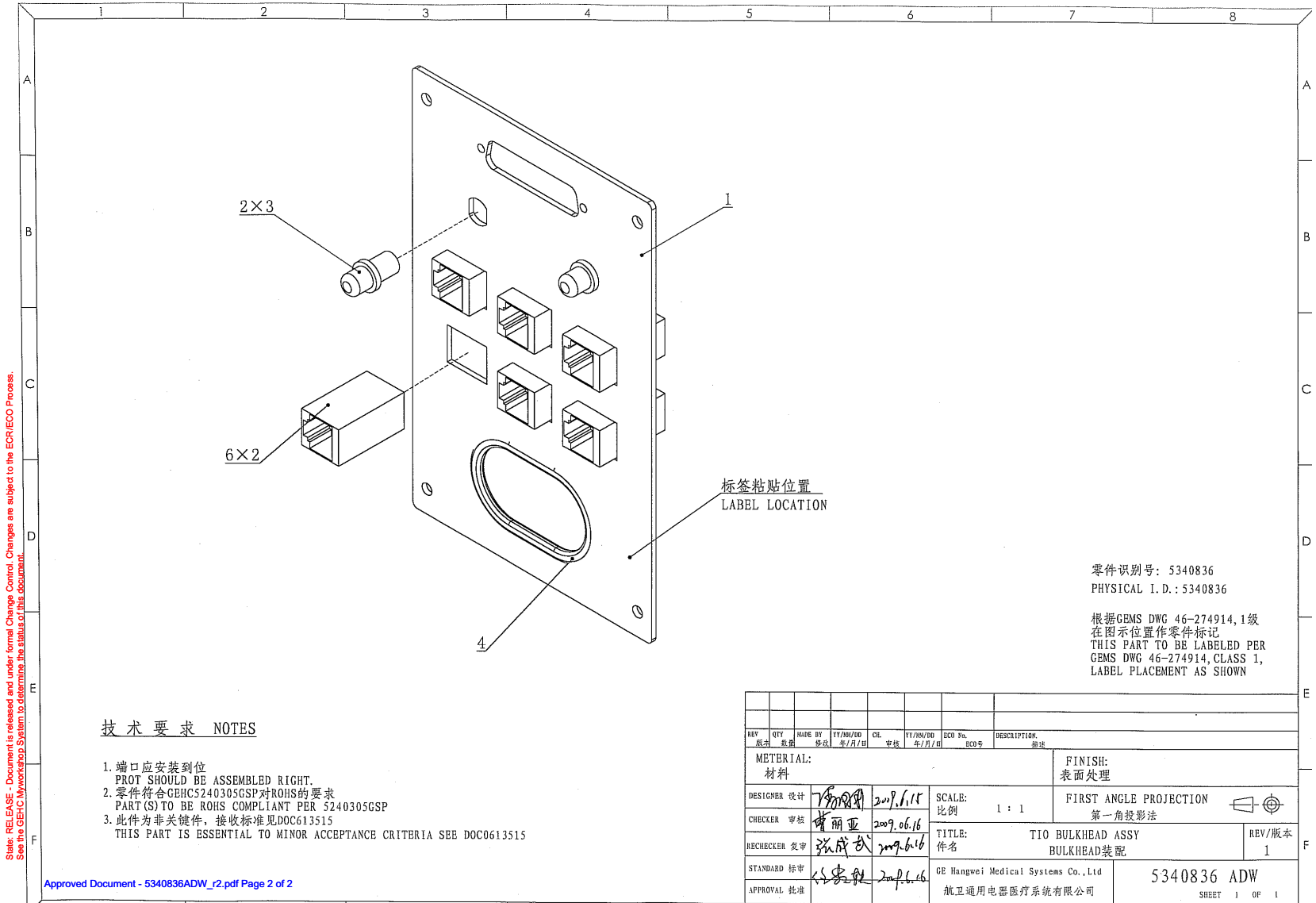
Table 5-24 TIO AC Box Assembly (5332276 BOM, rev 6)

MARK	NUMBER	QTY	FRU	DESCRIPTION/NAME
26	5332704-2	1.0	No	CABLE, UL 1015 Stranded Wire 600V IEC- Brown - 14AWG
27	5332705-2	1.0	No	CABLE, UL 1015 Stranded Wire 600V IEC- Brown - 14AWG
28	5332706-2	1.0	No	CABLE, UL 1015 Stranded Wire 600V IEC- Brown - 14AWG
29	5332708-2	1.0	No	CABLE, UL 1015 Stranded Wire 600V IEC- Blue - 14AWG
30	5332711-2	1.0	No	CABLE Assembly, Power Switch Cable
31	5332714-2	1.0	No	CABLE, UL 1015 Stranded Wire 600V IEC- Brown - 10AWG
32	5332715-2	1.0	No	CABLE, UL 1015 Stranded Wire 600V IEC- Blue - 10AWG
33	5332716-2	1.0	No	CABLE, UL 1015 Stranded Wire 600V IEC- Blue - 14AWG
35	5332718-2	2.0	No	CABLE, UL 1015 Stranded Wire 600V IEC- Green -Yellow -14AWG
36	5332719-2	1.0	No	CABLE, UL 1015 Stranded Wire 600V IEC- Blue - 14AWG
37	5341378	6.0	No	15A, 125VAC, 2 POLE, 3 WIRE DUPLEX TYPE.
38	46-208697P57	1.0	No	HEYCO PART NO.1247 SR-7W-2 BLACK
39	2001-M3-02	16.0	No	Large Flat Washer, ISO7093, M3, Steel 140HV, Zinc Plated, RoHS Fastener
40	2203-M3-07	16.0	No	Curved Lock Washer, DIN 128A, M3, Spring Steel, Zinc Plated, RoHS Fastener
41	3000-M3C-04	16.0	No	Hexagon Nut, ISO4032, M3-0.5, Grade 8 Steel, Zinc Plated, RoHS Fastener
42	2000-M4-03	4.0	No	WASHER PLAIN - LARGE 4.3 MM 9 MM , HV200, Steel, Zinc plate RoHS Washer
43	2203-M4-07	4.0	No	Curved Lock Washer, DIN 128A, M4, Spring Steel, Zinc Plated, RoHS Fastener
44	3000-M4C-04	10.0	No	Hexagon Nut, ISO4032, M4-0.7, Grade 8 Steel, Zinc Plated, RoHS Fastener
45	1007-M3C006-14	4.0	No	Phillips Pan Head Screw, ISO 7045, M3-0.5, X6mm Long, Grade 4.8 Steel, Zinc Plated, RoHS Fastener
46	1007-M3C010-14	7.0	No	Phillips Pan Head Screw, ISO 7045, M3-0.5, X10mm Long, Grade 4.8 Steel, Zinc Plated, RoHS Fastener
47	1000-M4C010-04	2.0	No	Hexagon Socket Head Cap Screw, M4-0.7, X10mm Long, Grade 8.8 Steel, Zinc Plated, RoHS Fastener
48	3000-M6C-04	4.0	No	Hexagon Nut, ISO4032, M6-1.0, Grade 8 Steel, Zinc Plated, RoHS Fastener
49	2001-M6-02	2.0	No	Large Flat Washer, ISO7093, M6, Steel 140HV, Zinc Plated, RoHS Fastener
50	2204-M6-06	4.0	No	External Toothed Lock Washer, DIN 6797A, M6, Spring Steel, Zinc Plated, RoHS Fastener
52	2204-M4-06	6.0	No	External Toothed Lock Washer, DIN 6797A, M4, Spring Steel, Zinc Plated, RoHS Fastener
55	2203-M6-07	1.0	No	Curved Lock Washer, DIN 128A, M6, Spring Steel, Zinc Plated, RoHS Fastener

Table 5-24 TIO AC Box Assembly (5332276 BOM, rev 6) (Continued)

2.1.3.3 TIO Bulkhead Assembly (5340836)

FRU = YES



State: RELEASE - Document is released and under formal Change Control. Changes are subject to the ECR/ECO Process. See the GE/C/Myworkshop System to determine the status of this document.

技术要求 NOTES

1. 端口应安装到位
PORT SHOULD BE ASSEMBLED RIGHT.
2. 零件符合GEHC5240305GSP对ROHS的要求
PART(S) TO BE ROHS COMPLIANT PER 5240305GSP
3. 此件为非关键件, 接收标准见DOC613515
THIS PART IS ESSENTIAL TO MINOR ACCEPTANCE CRITERIA SEE DOC613515

Approved Document - 5340836ADW_r2.pdf Page 2 of 2

零件识别号: 5340836
PHYSICAL I. D.: 5340836

根据GEMS DWG 46-274914, 1级
在图示位置作零件标记
THIS PART TO BE LABELED PER
GEMS DWG 46-274914, CLASS 1,
LABEL PLACEMENT AS SHOWN

REV	QTY	MADE BY	TY/NO/NO	CHK	TY/NO/NO	ECO %	DESCRIPTION
版次	数量	接收	年/月/日	审核	年/月/日	ECO号	描述
MATERIAL: 材料:							FINISH: 表面处理
DESIGNER 设计			2009.6.15		SCALE: 比例	1 : 1	FIRST ANGLE PROJECTION 第一角投影法
CHECKER 审核			2009.06.16		TITLE: 件名	TIO BULKHEAD ASSY BULKHEAD装配	
RECHECKER 复审			2009.6.16				REV/版本 1
STANDARD 标准					GE Hangwei Medical Systems Co., Ltd		5340836 ADW
APPROVAL 批准			2009.6.16		航卫通用电器医疗系统有限公司		SHEET 1 OF 1

Figure 5-16 TIO Bulkhead Assembly (5340836, sheet 1, rev 2)

MARK	NUMBER	QTY	FRU	DESCRIPTION/NAME
2	5122589	6.0	Yes	Adapter, Bulkhead RJ45 CAT5e Shielded, L-com #TDG1026KS-C5E
1	5332952	1.0	No	TIO BULKHEAD SHEET
3	2265406-2	2.0	No	FIBER-OPTIC COUPLING RECEPTACLE KIT, 2.5MM BAYONET, AMP OPTIMATE--RoHS

Table 5-25 TIO Bulkhead Assembly (5340836 BOM, rev 2)

2.1.3.4 TIO Fan Board Assembly (5334414)

FRU = YES

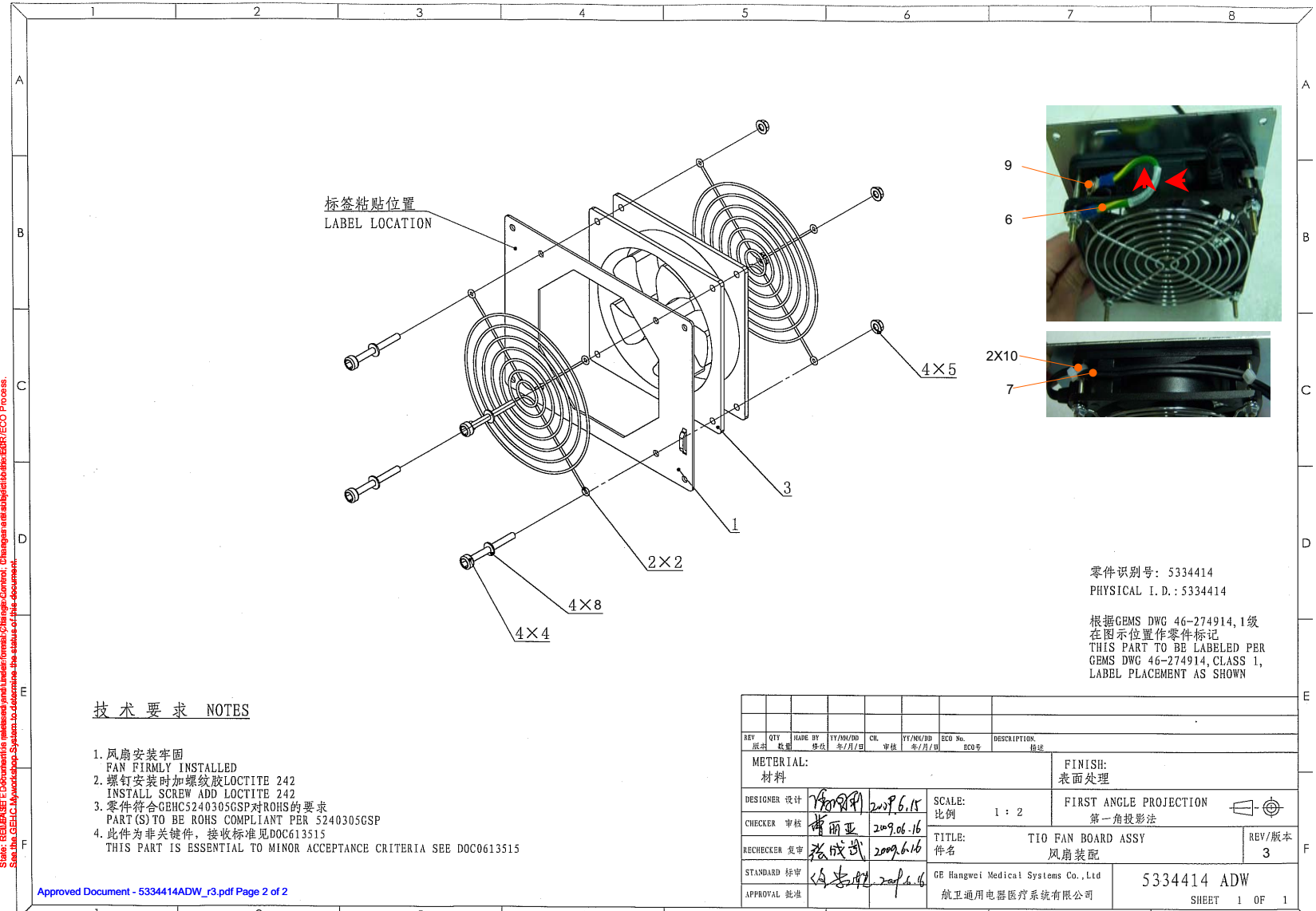


Figure 5-17 TIO Fan Board Assembly (5334414, sheet 1, rev 3)

MARK	NUMBER	QTY	FRU	DESCRIPTION/NAME
2	46-272301P11	2.0	Yes	FAN ACCESSORIES FINGER GUARD PAPST LZ30
3	5124071	1.0	Yes	Fan, Tube Axial - 115VAC, 50-60Hz, 119mm x 119mm x 25mm x 95-115cfm, ball bearing motor - Sinwan S125AP-11-1
4	1000-M4C040-04	4.0	Yes	Hexagon Socket Head Cap Screw, M4-0.7, X40mm Long, Grade 8.8 Steel, Zinc Plated, RoHS Fastener
6	5332717-2	1.0	Yes	CABLE, UL 1015 Stranded Wire 600V IEC- Green -Yellow -14AWG
7	5332707-2	1.0	Yes	CABLE, Fan Power Cord
9	5340477	1.0	Yes	M4x10 flange screw, hexagon socket, RoHS
10	U0202AC	2.0	Yes	CLAMP CV_150
1	5332963	1.0	No	TIO FAN SHEET
5	3002-M4C-04	4.0	No	Hexagon Prevailing Torque Nut, ISO7040, M4-0.7, Grade 8 Steel, Zinc Plated, RoHS Fastener
8	2000-M4-02	4.0	No	Flat Washer, ISO7089, M4, Steel 140HV, Zinc Plated, RoHS Fastener

Table 5-26 TIO Fan Board Assembly (5334414 BOM, rev 3)

2.2 Peripheral Tower, Silver bezel with DVD-RAM and DVD-RW Drives (5270510-3)

FRU = YES

MARK	NUMBER	QTY	FRU	DESCRIPTION/NAME
1	5315725-2	1.0	Yes	Peripheral Tower 2-bay black enclosure and silver bezel including USB Adapters, 65-Watt Power Supply, and Fan
3	5310847	1.0	Yes	Panasonic SW-9576-CXM1 DVD Super Drive with the following features: black, half height cartridge type, 4.7GB-8.5GB-DL, IDE-ATAPI interface, 2MB buffer memory, firmware revision AY0J.
4	5310850-3	1.0	Yes	Lite-on DVD-CD E-IDE-ATAPI interface, black.
2	5370950	1.0	No	IDE to USB Converter
5	5315725INSTALL	1.0	No	Peripheral Tower 2-bay black enclosure IEC Attention Symbol Installation Manual.

Table 5-27 Peripheral Tower and Silver bezel with DVD-RAM and DVD-RW Drives (5270510-3 BOM, rev 1)

MARK	NUMBER	QTY	FRU	DESCRIPTION/NAME
1	5315725-2	1.0	Yes	Peripheral Tower 2-bay black enclosure and silver bezel including USB Adapters, 65-Watt Power Supply, and Fan with IEC Attention Symbol
2	5370951-2	1.0	No	SATA to USB Converter
3	5370952-2	1.0	No	DVD,CD-RW Drive, SATA interface, black
4	5315725INSTALL	1.0	No	Peripheral Tower 2-bay black enclosure IEC Attention Symbol Installation Manual

Table 5-28 Peripheral Tower 1-Bay Black Enclosure and Silver Bezel with DVD-RW Drive (5270510-10 BOM, rev 2)

MARK	NUMBER	QTY	FRU CODE	DESCRIPTION/NAME
1	5315725-3	1.0	No	Peripheral Tower 2-bay black enclosure and silver bezel including USB Adapters, 65-Watt Power Supply, and Fan with IEC Attention Symbol.
2	5370951-2	1.0	No	SATA to USB Converter
3	5370952-3	1.0	No	DVD,CD-RW Drive, SATA interface, black
4	5315725INSTALL	1.0	No	Peripheral Tower 2-bay black enclosure IEC Attention Symbol Installation Manual.

Table 5-29 Peripheral Tower 1-Bay Black Enclosure and Silver Bezel with DVD-RW Drive (5270510-11 BOM, rev 1)