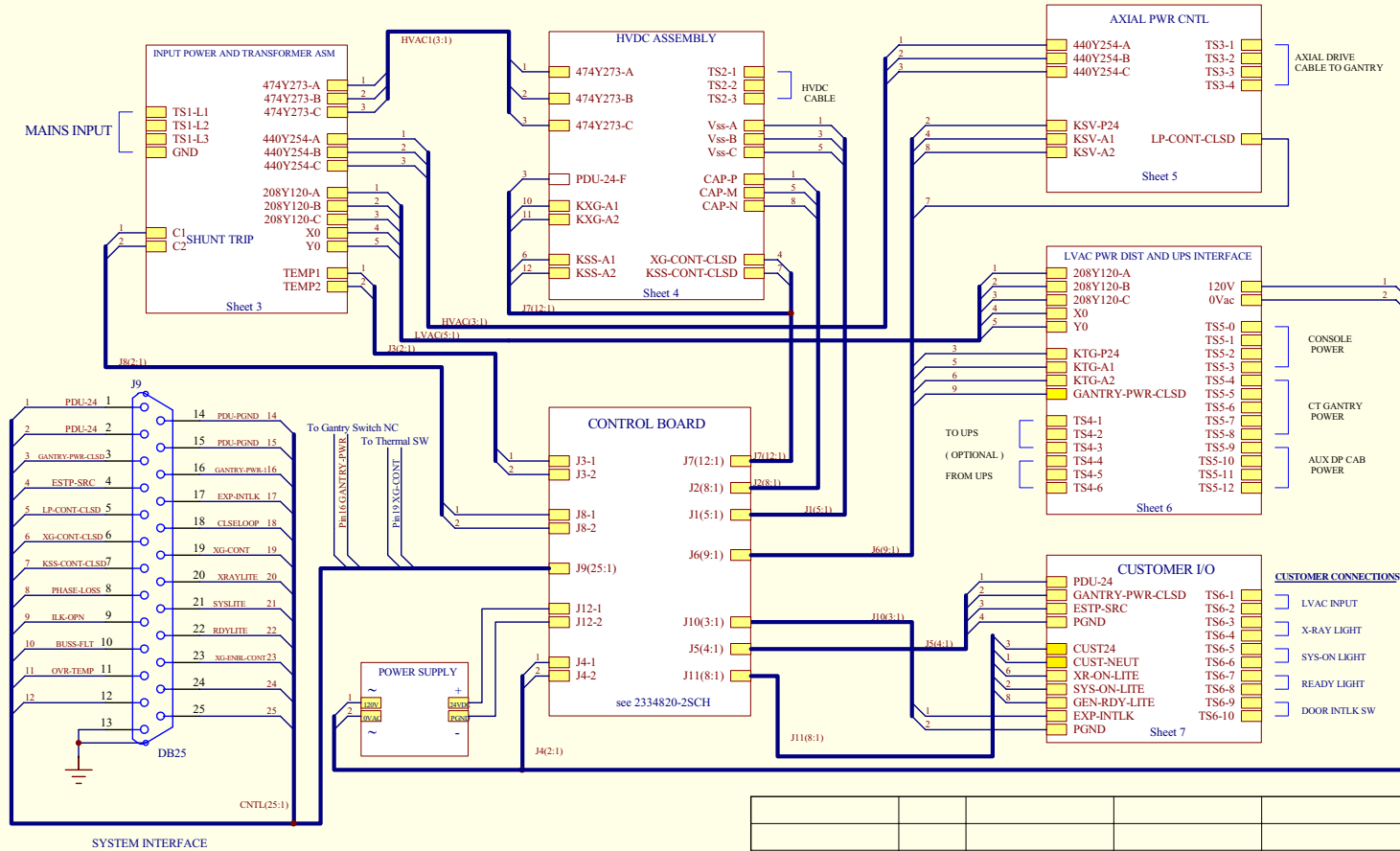


State: RELEASE - Document is released and under formal Change Control. Changes are subject to the ECR/ECO Process. See the GEMS ePDM System to determine the status of this document.

1	2	3	4	5	6																																																				
A	<p><u>NOTES:</u></p>				A																																																				
B	<table border="1" style="margin: auto;"> <thead> <tr> <th>SHEET_NAME</th> <th>SHT_NUM</th> <th>REV</th> </tr> </thead> <tbody> <tr><td>BLOCK</td><td>2</td><td></td></tr> <tr><td>INPUT</td><td>3</td><td></td></tr> <tr><td>HVDC</td><td>4</td><td></td></tr> <tr><td>AXIAL DRIVE</td><td>5</td><td></td></tr> <tr><td>LVAC</td><td>6</td><td></td></tr> <tr><td>CUSTOMER I/O</td><td>7</td><td></td></tr> </tbody> </table>		SHEET_NAME	SHT_NUM	REV	BLOCK	2		INPUT	3		HVDC	4		AXIAL DRIVE	5		LVAC	6		CUSTOMER I/O	7		<table border="1" style="margin: auto;"> <thead> <tr> <th>REVISION</th> <th>PCN NUMBER</th> <th>DATE</th> <th>SIGN OFF</th> </tr> </thead> <tbody> <tr><td> </td><td> </td><td> </td><td> </td></tr> <tr><td> </td><td> </td><td> </td><td> </td></tr> <tr><td> </td><td> </td><td> </td><td> </td></tr> </tbody> </table>		REVISION	PCN NUMBER	DATE	SIGN OFF													B															
SHEET_NAME	SHT_NUM	REV																																																							
BLOCK	2																																																								
INPUT	3																																																								
HVDC	4																																																								
AXIAL DRIVE	5																																																								
LVAC	6																																																								
CUSTOMER I/O	7																																																								
REVISION	PCN NUMBER	DATE	SIGN OFF																																																						
C					C																																																				
D	<table border="1" style="width: 100%; border-collapse: collapse;"> <tr> <td> </td><td> </td><td> </td><td> </td><td> </td><td> </td> </tr> <tr> <td> </td><td> </td><td> </td><td> </td><td> </td><td> </td> </tr> <tr> <td> </td><td> </td><td> </td><td> </td><td> </td><td> </td> </tr> <tr> <td>标记 REV</td><td>QTY</td><td>改单号 FZ2 No.</td><td>签字 MADE BY</td><td>日期 DATE</td><td>描述 DESCRIPTION</td> </tr> <tr> <td colspan="5" style="text-align: center;"><b>GEHW MEDICAL SYSTEMS</b></td><td>名称 TITLE NGPDU-3 SCH</td> </tr> <tr> <td>设计 DESIGNER</td><td> </td><td> </td><td colspan="2" style="text-align: center;">比例 SCALE</td><td rowspan="4" style="text-align: center; vertical-align: middle;">文件代号 DOC.NO  2326492-3SCH</td> </tr> <tr> <td>审核 CHECKER</td><td> </td><td> </td><td colspan="2" rowspan="3" style="text-align: center;">sheet 1 of 7</td> </tr> <tr> <td>复审 RECHECKER</td><td> </td><td> </td> </tr> <tr> <td>标审 STANDARD</td><td> </td><td> </td> </tr> <tr> <td>批准 APPROVAL</td><td> </td><td> </td><td colspan="2"></td> </tr> </table>																						标记 REV	QTY	改单号 FZ2 No.	签字 MADE BY	日期 DATE	描述 DESCRIPTION	<b>GEHW MEDICAL SYSTEMS</b>					名称 TITLE NGPDU-3 SCH	设计 DESIGNER			比例 SCALE		文件代号 DOC.NO  2326492-3SCH	审核 CHECKER			sheet 1 of 7		复审 RECHECKER			标审 STANDARD			批准 APPROVAL					D
标记 REV	QTY	改单号 FZ2 No.	签字 MADE BY	日期 DATE	描述 DESCRIPTION																																																				
<b>GEHW MEDICAL SYSTEMS</b>					名称 TITLE NGPDU-3 SCH																																																				
设计 DESIGNER			比例 SCALE		文件代号 DOC.NO  2326492-3SCH																																																				
审核 CHECKER			sheet 1 of 7																																																						
复审 RECHECKER																																																									
标审 STANDARD																																																									
批准 APPROVAL																																																									
1	2	3	4	5	6																																																				

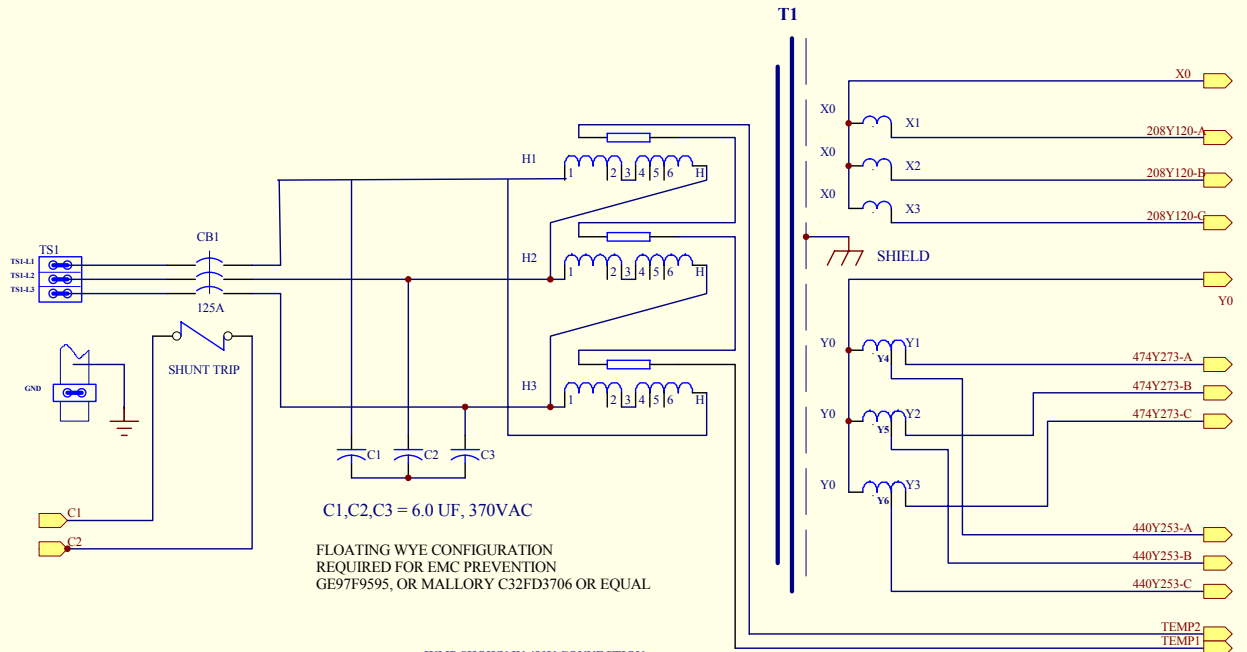
NGPDU-3 BLOCK DIAGRAM



标记	REV	QTY	改单号	FZ2 No.	签字	MADE BY	日期	DATE	描述	DESCRIPTION
<b>GEHW MEDICAL SYSTEMS</b>									名称	NGPDU-3 SCH
									TITLE	
设计	DESIGNER					比例	SCALE		文件代号	DOC.NO
审核	CHECKER									
复审	RECHECKER									
标审	STANDARD									
批准	APPROVAL					sheet	2 of 7			
									2326492-3SCH	

State: RELEASE - Document is released and under formal Change Control. Changes are subject to the ECR/ECO Process. See the GEMS ePDM System to determine the status of this document.

**INPUT POWER AND TRANSFORMER ASSEMBLY**



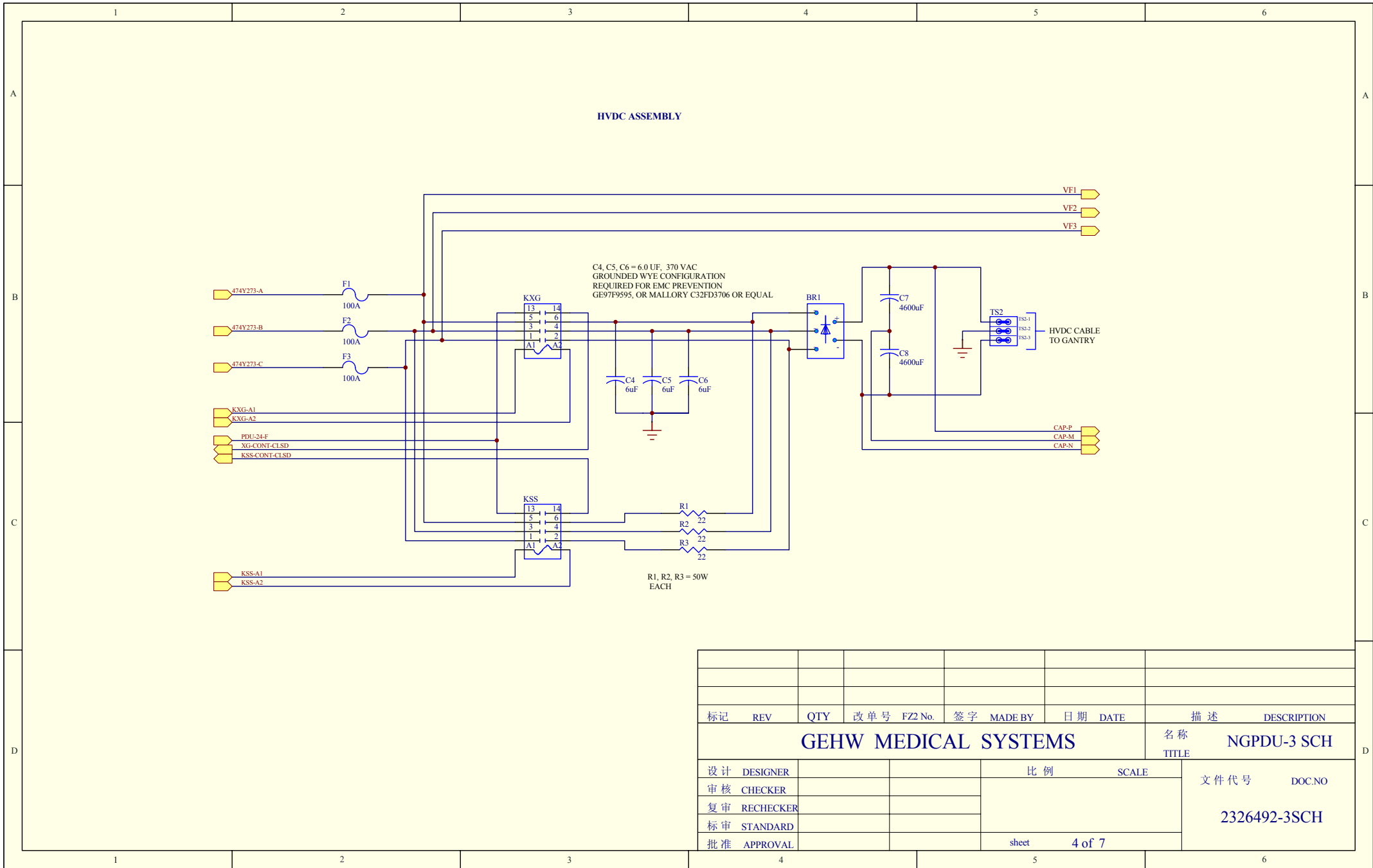
C1,C2,C3 = 6.0 UF, 370VAC  
 FLOATING WYE CONFIGURATION  
 REQUIRED FOR EMC PREVENTION  
 GE97F9595, OR MALLORY C32FD3706 OR EQUAL

JUMP SHOWN IN 480V CONNECTION

PRIMARY		SECONDARY	
VOLTAGE	LEAD CONNECTION	VOLTAGE	LEAD CONNECTION
380v	2-6	208Y120	X1,X2,X3,X0
400v	2-5	474Y273	Y1,Y2,Y3,Y0
420v	2-4		
440v	3-6		
460	3-5		
480v	3-4	440Y253	Y4,Y5,Y6,Y0

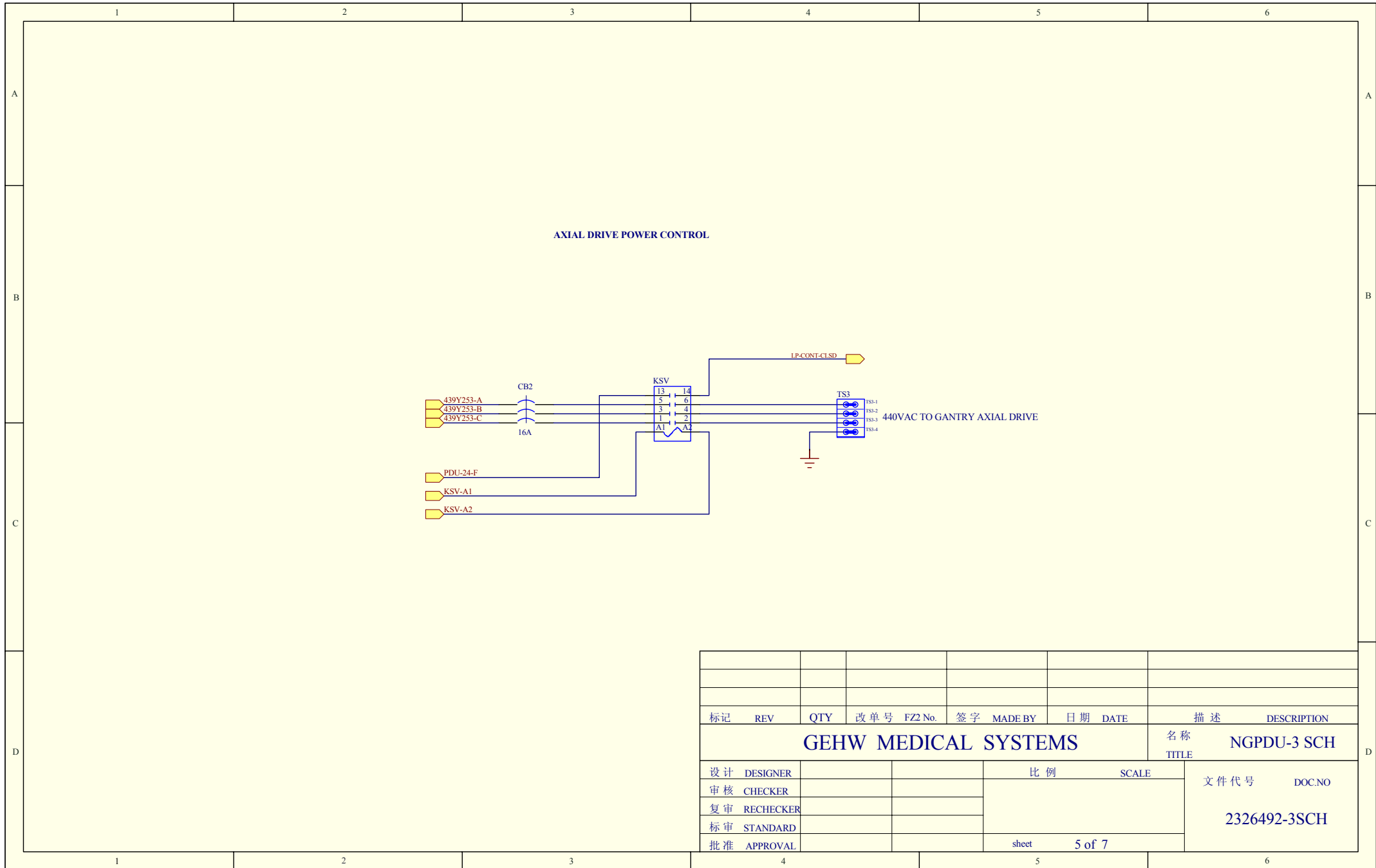
标记	REV	QTY	改单号	FZ2 No.	签字	MADE BY	日期	DATE	描述 DESCRIPTION
<b>GEHW MEDICAL SYSTEMS</b>								名称 TITLE	NGPDU-3 SCH
设计	DESIGNER			比例		SCALE		文件代号	DOC.NO
审核	CHECKER							2326492-3SCH	
复审	RECHECKER								
标审	STANDARD								
批准	APPROVAL			sheet		3 of 7			

State: RELEASE - Document is released and under formal Change Control. Changes are subject to the ECR/ECO Process. See the GEMS ePDM System to determine the status of this document.



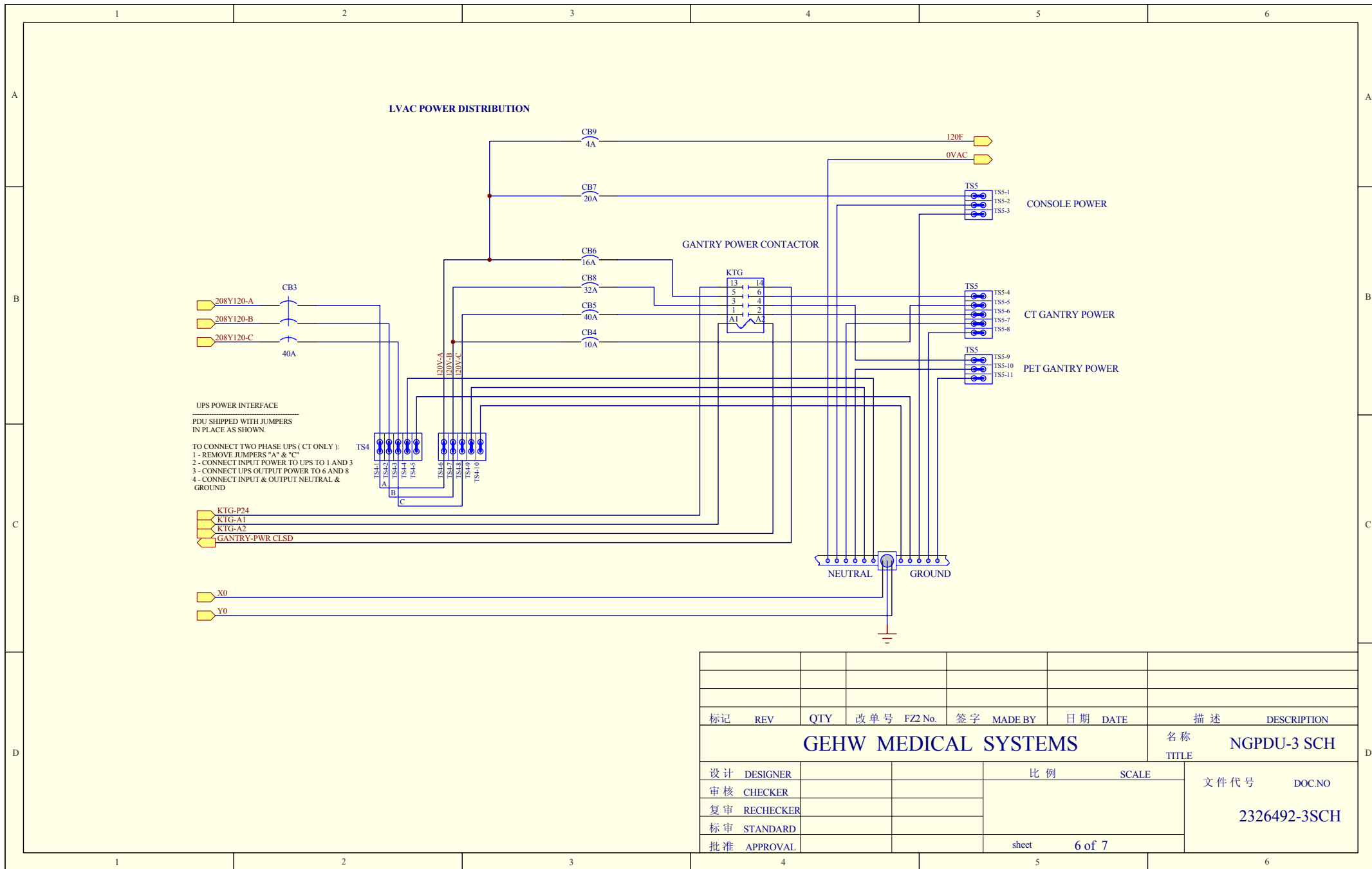
标记	REV	QTY	改单号	FZ2 No.	签字	MADE BY	日期	DATE	描述	DESCRIPTION
<b>GEHW MEDICAL SYSTEMS</b>									名称	NGPDU-3 SCH
									TITLE	
设计	DESIGNER				比例			SCALE	文件代号	DOC.NO
审核	CHECKER									
复审	RECHECKER									
标审	STANDARD									
批准	APPROVAL				sheet			4 of 7		

State: RELEASE - Document is released and under formal Change Control. Changes are subject to the ECR/ECO Process. See the GEMS ePDM System to determine the status of this document.

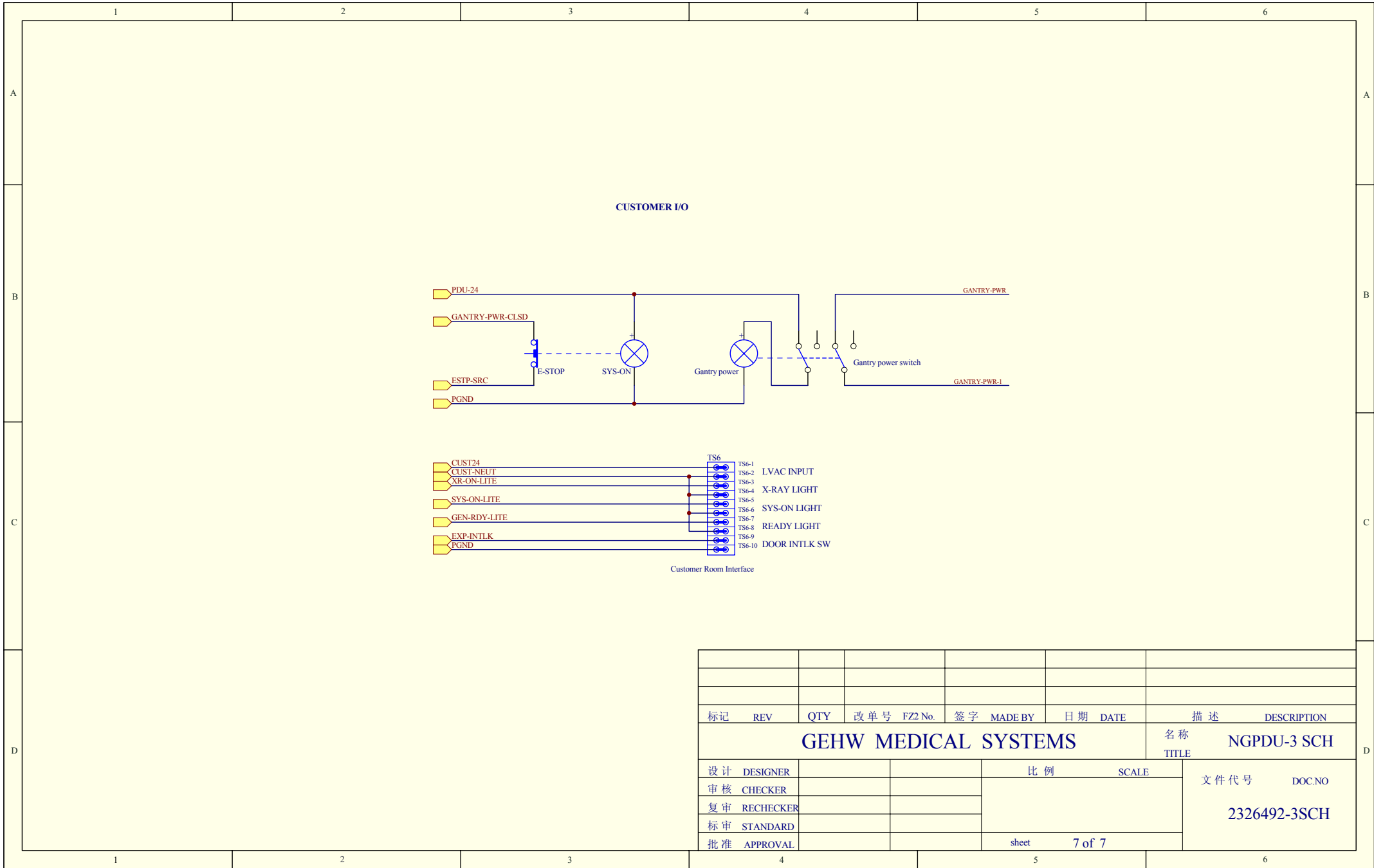


标记	REV	QTY	改单号	FZ2 No.	签字	MADE BY	日期	DATE	描述	DESCRIPTION
<b>GEHW MEDICAL SYSTEMS</b>								名称	NGPDU-3 SCH	
								TITLE		
设计	DESIGNER				比例		SCALE		文件代号 DOC.NO  2326492-3SCH	
审核	CHECKER									
复审	RECHECKER									
标准	STANDARD									
批准	APPROVAL				sheet		5 of 7			

State: RELEASE - Document is released and under formal Change Control. Changes are subject to the ECR/ECO Process. See the GEMS ePDM System to determine the status of this document.



State: RELEASE - Document is released and under formal Change Control. Changes are subject to the ECR/ECO Process. See the GEMS ePDM System to determine the status of this document.



标记	REV	QTY	改单号	FZ2 No.	签字	MADE BY	日期	DATE	描述	DESCRIPTION
<b>GEHW MEDICAL SYSTEMS</b>								名称	NGPDU-3 SCH	
								TITLE		
设计	DESIGNER						比例	SCALE	文件代号	DOC.NO
审核	CHECKER								2326492-3SCH	
复审	RECHECKER									
标审	STANDARD									
批准	APPROVAL						sheet	7 of 7		