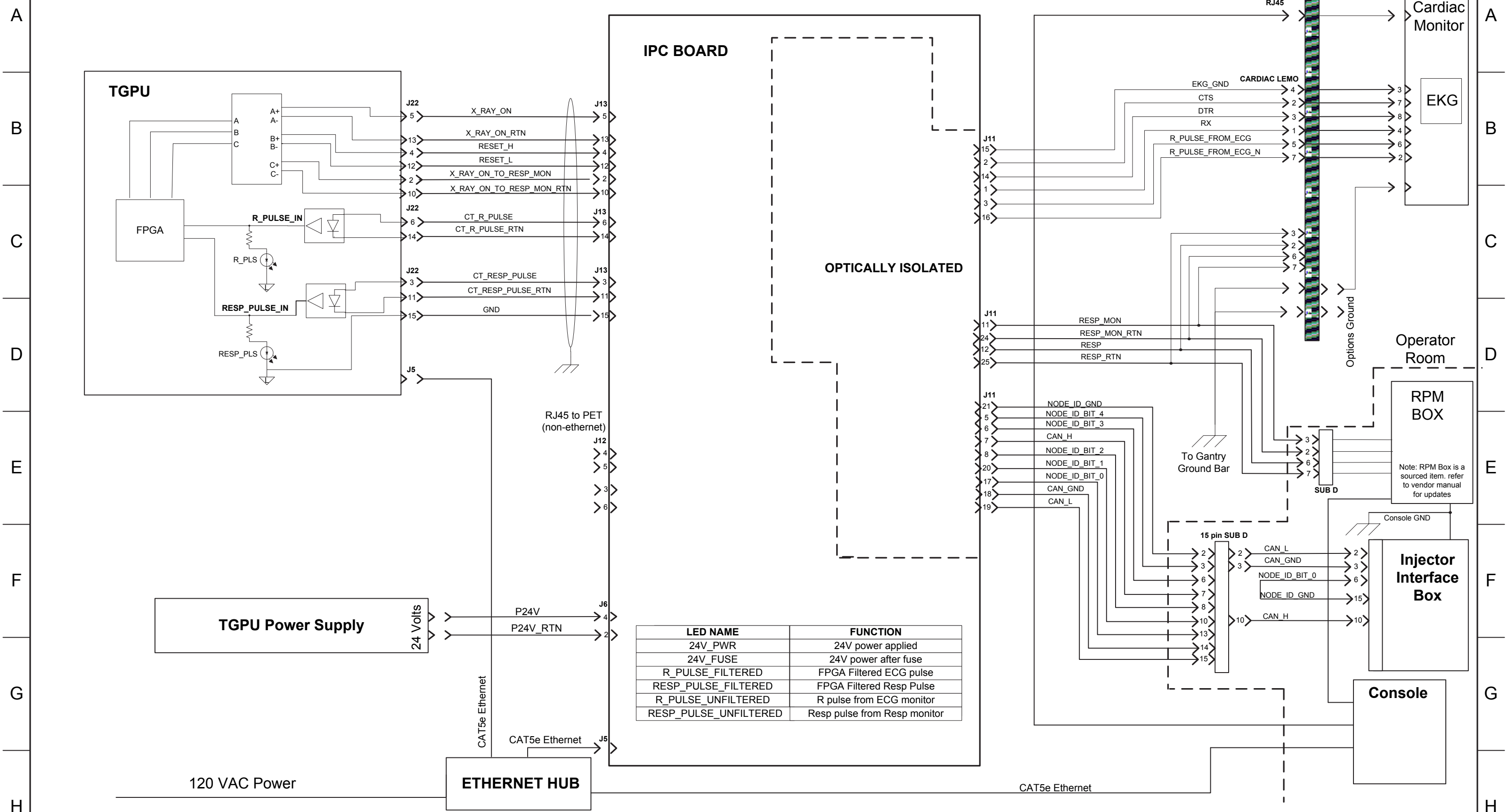


# INTEGRATED INJECTOR & CT OPTIONS FUNCTIONAL INTERCONNECT

CUSTOMER INTERFACE PLATE



LED NAME	FUNCTION
24V_PWR	24V power applied
24V_FUSE	24V power after fuse
R_PULSE_FILTERED	FPGA Filtered ECG pulse
RESP_PULSE_FILTERED	FPGA Filtered Resp Pulse
R_PULSE_UNFILTERED	R pulse from ECG monitor
RESP_PULSE_UNFILTERED	Resp pulse from Resp monitor

