

GE Healthcare

GOC4

Illustrated Parts List

OPERATING DOCUMENTATION





IMPORTANT PRECAUTIONS

LANGUAGE

WARNING (EN)	<ul style="list-style-type: none">• This Service Manual is available in English only.• If a customer's service provider requires a language other than English, it is the customer's responsibility to provide translation services.• Do not attempt to service the equipment unless this service manual has been consulted and is understood.• Failure to heed this warning may result in injury to the service provider, operator, or patient, from electric shock or from mechanical or other hazards.
ПРЕДУПРЕЖДЕНИЕ (BG)	<ul style="list-style-type: none">• ТОВА УПЪТВАНЕ ЗА РАБОТА Е НАЛИЧНО САМО НА АНГЛИЙСКИ ЕЗИК.• АКО ДОСТАВЧИКЪТ НА УСЛУГАТА НА КЛИЕНТА ИЗИСКА ЕЗИК, РАЗЛИЧЕН ОТ АНГЛИЙСКИ, ЗАДЪЛЖЕНИЕ НА КЛИЕНТА Е ДА ОСИГУРИ ПРЕВОД.• НЕ ИЗПОЛЗВАЙТЕ ОБОРУДВАНЕТО ПРЕДИ ДА СТЕ СЕ КОНСУЛТИРАЛИ И РАЗБРАЛИ УПЪТВАНЕТО ЗА РАБОТА.• НЕСПАЗВАНЕТО НА ТОВА ПРЕДУПРЕЖДЕНИЕ МОЖЕ ДА ДОВЕДЕ ДО НАРАНЯВАНЕ НА ДОСТАВЧИКА НА УСЛУГАТА, ОПЕРАТОРА ИЛИ ПАЦИЕНТ В РЕЗУЛТАТ НА ТОКОВ УДАР ИЛИ МЕХАНИЧНА ИЛИ ДРУГА ОПАСНОСТ.
警告 (ZH-CN)	<ul style="list-style-type: none">• 本维修手册仅提供英文版本。• 如果维修服务提供商需要非英文版本，客户需自行提供翻译服务。• 未详细阅读和完全理解本维修手册之前，不得进行维修。• 忽略本警告可能对维修人员，操作员或患者造成触电、机械伤害或其他形式的伤害。
VÝSTRAHA (CS)	<ul style="list-style-type: none">• Tento provozní návod existuje pouze v anglickém jazyce.• V případě, že externí služba zákazníkům potřebuje návod v jiném jazyce, je zajištění překladu do odpovídajícího jazyka úkolem zákazníka.• Nesnažte se o údržbu tohoto zařízení, aniž byste si přečetli tento provozní návod a pochopili jeho obsah.• V případě nedodržování této výstrahy může dojít k poranění pracovníka prodejního servisu, obslužného personálu nebo pacientů vlivem elektrického proudu, respektive vlivem mechanických či jiných rizik.

ADVARSEL (DA)	<ul style="list-style-type: none">• Denne servicemanual findes kun på engelsk.• Hvis en kundes tekniker har brug for et andet sprog end engelsk, er det kundens ansvar at sørge for oversættelse.• Forsøg ikke at servicere udstyret medmindre denne servicemanual har været konsulteret og er forstået.• Manglende overholdelse af denne advarsel kan medføre skade på grund af elektrisk, mekanisk eller anden fare for teknikeren, operatøren eller patienten.
WAARSCHUWING (NL)	<ul style="list-style-type: none">• Deze onderhoudshandleiding is enkel in het Engels verkrijgbaar.• Als het onderhoudspersoneel een andere taal vereist, dan is de klant verantwoordelijk voor de vertaling ervan.• Probeer de apparatuur niet te onderhouden voordat deze onderhoudshandleiding werd geraadpleegd en begrepen is.• Indien deze waarschuwing niet wordt opgevolgd, zou het onderhoudspersoneel, de operator of een patiënt gewond kunnen raken als gevolg van een elektrische schok, mechanische of andere gevaren.
HOIATUS (ET)	<ul style="list-style-type: none">• Käesolev teenindusjuhend on saadaval ainult inglise keeles.• Kui klienditeeninduse osutaja nõuab juhendit inglise keelest erinevas keeles, vastutab klient tõlketeenuse osutamise eest.• Ärge üritage seadmeid teenindada enne eelnevalt käesoleva teenindusjuhendiga tutvumist ja sellest aru saamist.• Käesoleva hoiatuse eiramine võib põhjustada teenuseosutaja, operaatori või patsiendi vigastamist elektrilöögi, mehaanilise või muu ohu tagajärjel.
VAROITUS (FI)	<ul style="list-style-type: none">• Tämä huolto-ohje on saatavilla vain englanniksi.• Jos asiakkaan huoltohenkilöstö vaatii muuta kuin englanninkielistä materiaalia, tarvittavan käännöksen hankkiminen on asiakkaan vastuulla.• Älä yritä korjata laitteistoa ennen kuin olet varmasti lukenut ja ymmärtänyt tämän huolto-ohjeen.• Mikäli tätä varoitusta ei noudateta, seurauksena voi olla huoltohenkilöstön, laitteiston käyttäjän tai potilaan vahingoittuminen sähköiskun, mekaanisen vian tai muun vaaratilanteen vuoksi.
ATTENTION (FR)	<ul style="list-style-type: none">• Ce manuel de service n'est disponible qu'en anglais.• Si le technicien du client a besoin de ce manuel dans une autre langue que l'anglais, c'est au client qu'il incombe de le faire traduire.• Ne pas tenter d'intervenir sur les équipements tant que le manuel service n'a pas été consulté et compris• Le non-respect de cet avertissement peut entraîner chez le technicien, l'opérateur ou le patient des blessures dues à des dangers électriques, mécaniques ou autres.

WARNUNG (DE)	<ul style="list-style-type: none">• Diese Serviceanleitung existiert nur in Englischer Sprache.• Falls ein fremder Kundendienst eine andere Sprache benötigt, ist es aufgabe des Kunden für eine Entsprechende Übersetzung zu sorgen.• Versuchen Sie nicht diese Anlage zu warten, ohne diese Serviceanleitung gelesen und verstanden zu haben.• Wird diese Warnung nicht beachtet, so kann es zu Verletzungen des Kundendiensttechnikers, des Bedieners oder des Patienten durch Stromschläge, Mechanische oder Sonstige gefahren kommen.
ΠΡΟΕΙΔΟΠΟΙΗΣΗ (EL)	<ul style="list-style-type: none">• Το παρόν εγχειρίδιο σέρβις διατίθεται στα αγγλικά μόνο.• Εάν το άτομο παροχής σέρβις ενός πελάτη απαιτεί το παρόν εγχειρίδιο σε γλώσσα εκτός των αγγλικών, αποτελεί ευθύνη του πελάτη να παρέχει υπηρεσίες μετάφρασης.• Μην επιχειρήσετε την εκτέλεση εργασιών σέρβις στον εξοπλισμό εκτός εαν έχετε συμβουλευτεί και έχετε κατανοήσει το παρόν εγχειρίδιο σέρβις.• Εαν δε λάβετε υπόψη την προειδοποίηση αυτή, ενδέχεται να προκληθεί τραυματισμός στο άτομο παροχής σέρβις, στο χειριστή ή στον ασθενή από ηλεκτροπληξία, μηχανικούς ή άλλους κινδύνους.
FIGYELMEZTETÉS (HU)	<ul style="list-style-type: none">• Ezen karbantartási kézikönyv kizárólag angol nyelven érhető el.• Ha a vevő szolgáltatója angoltól eltérő nyelvre tart igényt, akkor a vevő felelőssége a fordítás elkészítése.• Ne próbálja elkezdni használni a berendezést, amíg a karbantartási kézikönyvben leírtakat nem értelmezték.• Ezen figyelmeztetés figyelmen kívül hagyása a szolgáltató, működtető vagy a beteg áramütés, mechanikai vagy egyéb veszélyhelyzet miatti sérülését eredményezheti.
AÐVÖRUN (IS)	<ul style="list-style-type: none">• Þessi þjónustuhandbók er eingöngu fáanleg á ensku.• Ef að þjónustuveitandi viðskiptamanns þarfnast annas tungumáls en ensku, er það skylda viðskiptamanns að skaffa tungumálaþjónustu.• Reynið ekki að afgreiða tækið nema að þessi þjónustuhandbók hefur verið skoðuð og skilin.• Brot á sinna þessari aðvörun getur leitt til meiðsla á þjónustuveitanda, stjórnanda eða sjúklings frá raflosti, vélrænu eða öðrum áhættum.

<p>AVVERTENZA (IT)</p>	<ul style="list-style-type: none"> • Il presente manuale di manutenzione è disponibile soltanto in inglese. • Se un addetto alla manutenzione richiede il manuale in una lingua diversa, il cliente è tenuto a provvedere direttamente alla traduzione. • Si proceda alla manutenzione dell'apparecchiatura solo dopo aver consultato il presente manuale ed averne compreso il contenuto • Il non rispetto della presente avvertenza potrebbe far compiere operazioni da cui derivino lesioni all'addetto, alla manutenzione, all'utilizzatore ed al paziente per folgorazione elettrica, per urti meccanici od altri rischi.
<p>警告 (JA)</p>	<ul style="list-style-type: none"> • このサービスマニュアルには英語版しかありません。 • サービスを担当される業者が英語以外の言語を要求される場合、翻訳作業はその業者の責任で行うものとさせていただきます。 • このサービスマニュアルを熟読し理解せずに、装置のサービスを行わないでください。 • この警告に従わない場合、サービスを担当される方、操作員あるいは患者さんが、感電や機械的又はその他の危険により負傷する可能性があります。
<p>경고 (KO)</p>	<ul style="list-style-type: none"> • 본 서비스 지침서는 영어로만 이용하실 수 있습니다 . • 고객의 서비스 제공자가 영어 이외의 언어를 요구할 경우, 번역 서비스를 제공하는 것은 고객의 책임입니다 . • 본 서비스 지침서를 참고했고 이해하지 않는 한은 해당 장비를 수리하려고 시도하지 마십시오 . • 이 경고에 유의하지 않으면 전기 쇼크 , 기계상의 혹은 다른 위험으로부터 서비스 제공자 , 운영자 혹은 환자에게 위해를 가할 수 있습니다 .
<p>BRDINJUMS (LV)</p>	<ul style="list-style-type: none"> • Šī apkalpes rokasgrāmata ir pieejama tikai angļu valodā. • Ja klienta apkalpes sniedzējam nepieciešama informācija citā valodā, nevis angļu, klienta pienākums ir nodrošināt tulkošanu. • Neveiciet aprīkojuma apkalpi bez apkalpes rokasgrāmatas izlasīšanas un saprašanas. • Šī brīdinājuma neievērošana var radīt elektriskās strāvas trieciena, mehānisku vai citu risku izraisītu traumu apkalpes sniedzējam, operatoram vai pacientam.
<p>ĮSPĖJIMAS (LT)</p>	<ul style="list-style-type: none"> • Šis eksploataavimo vadovas yra prieinamas tik anglų kalba. • Jei kliento paslaugų tiekėjas reikalauja vadovo kita kalba – ne anglų, numatyti vertimo paslaugas yra kliento atsakomybė. • Nemėginkite atlikti įrangos techninės priežiūros, nebent atsižvelgėte į šį eksploataavimo vadovą ir jį supratote. • Jei neatkreipsite dėmesio į šį perspėjimą, galimi sužalojimai dėl elektros šoko, mechaninių ar kitų pavojų paslaugų tiekėjui, operatoriui ar pacientui.

ADVARSEL (NO)	<ul style="list-style-type: none">• Denne servicehåndboken finnes bare på engelsk.• Hvis kundens serviceleverandør trenger et annet språk, er det kundens ansvar å sørge for oversettelse.• Ikke forsøk å reparere utstyret uten at denne servicehåndboken er lest og forstått.• Manglende hensyn til denne advarselen kan føre til at serviceleverandøren, operatøren eller pasienten skades på grunn av elektrisk støt, mekaniske eller andre farer.
OSTRZEŻENIE (PL)	<ul style="list-style-type: none">• Niniejszy podręcznik serwisowy dostępny jest jedynie w języku angielskim.• Jeśli dostawca usług klienta wymaga języka innego niż angielski, zapewnienie usługi tłumaczenia jest obowiązkiem klienta.• Nie próbować serwisować wyposażenia bez zapoznania się i zrozumienia niniejszego podręcznika serwisowego.• Niezastosowanie się do tego ostrzeżenia może spowodować urazy dostawcy usług, operatora lub pacjenta w wyniku porażenia elektrycznego, zagrożenia mechanicznego bądź innego.
ATENÇÃO (PT-BR)	<ul style="list-style-type: none">• Este manual de assistência técnica só se encontra disponível em inglês.• Se qualquer outro serviço de assistência técnica, que não a gems, solicitar estes manuais noutra idioma, é da responsabilidade do cliente fornecer os serviços de tradução.• Não tente reparar o equipamento sem ter consultado e compreendido este manual de assistência técnica.• O não cumprimento deste aviso pode por em perigo a segurança do técnico, operador ou paciente devido a choques elétricos, mecânicos ou outros.
ATENÇÃO (PT-PT)	<ul style="list-style-type: none">• Este manual de assistência técnica só se encontra disponível em inglês.• Se qualquer outro serviço de assistência técnica, que não a gems, solicitar estes manuais noutra idioma, é da responsabilidade do cliente fornecer os serviços de tradução.• Não tente reparar o equipamento sem ter consultado e compreendido este manual de assistência técnica.• O não cumprimento deste aviso pode colocar em perigo a segurança do técnico, do operador ou do paciente devido a choques eléctricos, mecânicos ou outros.
ATENȚIE (RO)	<ul style="list-style-type: none">• Acest manual de service este disponibil numai în limba engleză.• Dacă un furnizor de servicii pentru clienți necesită o altă limbă decât cea engleză, este de datoria clientului să furnizeze o traducere.• Nu încercați să reparați echipamentul decât ulterior consultării și înțelegerii acestui manual de service.• Ignorarea acestui avertisment ar putea duce la rănirea depanatorului, operatorului sau pacientului în urma pericolelor de electrocutare, mecanice sau de altă natură.

<p>ОСТОРОЖНО! (RU)</p>	<ul style="list-style-type: none"> • Данное руководство по обслуживанию предлагается только на английском языке. • Если сервисному персоналу клиента необходимо руководство не на английском, а на каком-то другом языке, клиенту следует самостоятельно обеспечить перевод. • Перед обслуживанием оборудования обязательно обратитесь к данному руководству и поймите изложенные в нем сведения. • Несоблюдение требований данного предупреждения может привести к тому, что специалист по обслуживанию, оператор или пациент получат удар электрическим током, механическую травму или другое повреждение.
<p>UPOZORENJE (SR)</p>	<ul style="list-style-type: none"> • Ovo servisno uputstvo je dostupno samo na engleskom jeziku. • Ako klijentov serviser zahteva neki drugi jezik, klijent je dužan da obezbedi prevodilacke usluge. • Ne pokušavajte da opravite uređaj ako niste pročitali i razumeli ovo servisno uputstvo. • Zanemarivanje ovog upozorenja može dovesti do povređivanja serviseru, rukovaoca ili pacijenta usled strujnog udara ili mehaničkih i drugih opasnosti.
<p>UPOZORNENIE (SK)</p>	<ul style="list-style-type: none"> • Tento návod na obsluhu je k dispozícii len v angličtine. • Ak zákazníkovi poskytovateľ služieb vyžaduje iný jazyk ako angličtinu, poskytnutie prekladateľských služieb je zodpovednosťou zákazníka. • Nepokúšajte sa o obsluhu zariadenia skôr, ako si neprečítate návod na obsluhu a neporozumiete mu. • Zanedbanie tohto upozornenia môže vyústiť do zranenia poskytovateľa služieb, obsluhujúcej osoby alebo pacienta elektrickým prúdom, do mechanického alebo iného nebezpečenstva.
<p>ATENCION (ES)</p>	<ul style="list-style-type: none"> • Este manual de servicio sólo existe en inglés. • Si el encargado de mantenimiento de un cliente necesita un idioma que no sea el inglés, el cliente deberá encargarse de la traducción del manual. • No se deberá dar servicio técnico al equipo, sin haber consultado y comprendido este manual de servicio. • La no observancia del presente aviso puede dar lugar a que el proveedor de servicios, el operador o el paciente sufran lesiones provocadas por causas eléctricas, mecánicas o de otra naturaleza.
<p>VARNING (SV)</p>	<ul style="list-style-type: none"> • Den här servicehandboken finns bara tillgänglig på engelska. • Om en kunds servicetekniker har behov av ett annat språk än engelska ansvarar kunden för att tillhandahålla översättningstjänster. • Försök inte utföra service på utrustningen om du inte har läst och förstår den här servicehandboken. • Om du inte tar hänsyn till den här varningen kan det resultera i skador på serviceteknikern, operatören eller patienten till följd av elektriska stötar, mekaniska faror eller andra faror.

DIKKAT
(TR)

- Bu servis kilavuzunun sadece ingilizcesi mevcuttur.
- Eğer müşteri teknisyeni bu kilavuzu ingilizce dışında bir başka lisandan talep ederse, bunu tercüme ettirmek müşteriye düşer.
- Servis kilavuzunu okuyup anlamadan ekipmanlara müdahale etmeyiniz.
- Bu uyarıya uyulmaması, elektrik, mekanik veya diğer tehlikelerden dolayı teknisyen, operatör veya hastanın yaralanmasına yol açabilir.

DAMAGE IN TRANSPORTATION

Check for damage to property that may have occurred at the site during delivery, such as damage to floors, door frames or walls. If damage is found, notify the installation specialist.

All packages should be closely examined at time of delivery. If damage is apparent, have notation *Damage in Shipment* written on **all** copies of the freight or express bill before delivery is accepted or signed for by a GE Healthcare representative or a hospital receiving agent. Whether noted or concealed, damage **MUST** be reported to the carrier immediately upon discovery or within 14 days after receipt, and the contents and containers held for inspection by the carrier. A transportation company will not pay a claim for damage if an inspection is not requested within this 14-day period.

To file a report:

- Call 1-800-548-3366 and use option 8.
- Fill out a report on <http://egems.med.ge.com/edq/home.jsp>
- Contact the local service coordinator for more information on this process.

Rev. September 17, 2006

CERTIFIED ELECTRICAL CONTRACTOR STATEMENT

All electrical Installations that are preliminary to positioning of the equipment at the site prepared for the equipment shall be performed by licensed electrical contractors. In addition, electrical feeds into the Power Distribution Unit shall be performed by licensed electrical contractors. Other connections between pieces of electrical equipment, calibrations and testing shall be performed by qualified GE Healthcare personnel. The products involved (and the accompanying electrical installations) are highly sophisticated, and special engineering competence is required. In performing all electrical work on these products, GE will use its own specially trained field engineers. All of GE's electrical work on these products will comply with the requirements of the applicable electrical codes.

The purchaser of GE equipment shall only utilize qualified personnel (i.e., GE's field engineers, personnel of third-party service companies with equivalent training, or licensed electricians) to perform electrical servicing on the equipment.

IMPORTANT...X-RAY PROTECTION

X-ray equipment, if not properly used, may cause injury. Accordingly, the instructions herein contained should be thoroughly read and understood by everyone who will use the equipment before he or she attempts to place this equipment in operation. The GE Healthcare Company will be glad to assist and cooperate in placing this equipment in use.

Although this apparatus incorporates a high degree of protection against x-radiation other than the useful beam, no practical design of equipment can provide complete protection. Nor can any practical design compel the operator to take adequate precautions to prevent the possibility of any persons carelessly exposing themselves or others to radiation.

It is important that anyone having anything to do with x-radiation be properly trained and fully acquainted with the recommendations of the National Council on Radiation Protection and Measurements as published in NCRP Reports available from NCRP Publications, 7910 Woodmont Avenue, Room 1016, Bethesda, Maryland 20814, and of the International Commission on Radiation Protection, and take adequate steps to protect against injury.

The equipment is sold with the understanding that the GE Healthcare, its agents, and representatives have no responsibility for injury or damage which may result from improper use of the equipment. Various protective materials and devices are available. It is urged that such materials or devices be used.

IMPORTANT...RADIOACTIVE MATERIAL HANDLING

Only employees formally trained in radioactive materials handling and this equipment are authorized by the GE Healthcare Radiation Safety Officer to use radioactive materials to service this equipment.

GE Healthcare Services is required to notify the applicable U.S. state agency PRIOR to any source service event involving pin source handling. See NUC/PET Radioactive material guides for specific instruction or contact your EHS Specialist.

A radiation survey must be performed when a pin source has been removed and replaced. See Radiation Survey Form Instructions or contact your EHS Specialist.

Rev 2 (July 21, 2005)

LITHIUM BATTERY CAUTIONARY STATEMENTS

CAUTION
Risk of
Explosion

Danger of explosion if battery is incorrectly replaced. Replace only with the same or equivalent type recommended by the manufacturer. Discard used batteries according to the manufacturer's instructions.

ATTENTION
Danger
d'Explosion

Il y a danger d'explosion s'il y a remplacement incorrect de la batterie. Remplacer uniquement avec une batterie du même type ou d'un type recommandé par le constructeur. Mettre au rebut les batteries usagées conformément aux instructions du fabricant.

OMISSIONS & ERRORS

Customers, contact your GE Healthcare Sales or Service representatives.

GE personnel, use the GEMS iTrak/PQR Process to report all omissions, errors, and defects in this publication.

COPYRIGHTS

All Material Copyrighted © 2007 by the General Electric Company. All rights reserved.

End of Precautions.

Revision History

Revision	Date	Reason for Change
1	3/07/05	Initial Release, for NPI (M3)
2	5/20/05	Added information on Consoles with HP xw8200 PC.
3	8/11/05	Added information on Console with HP xw8200 PC, for SDAS systems.
4	2/27/06	Updated Chapter 2 to add 2378862-50, 51, 52, and 53 Console information; updated all other parts lists in document.
5	8/14/06	Added chapter for "Jarrell" Consoles
6	02/19/08	Updated Language in Important Precautions; Added new part numbers: 5117866-51 for HP8200 with FX1500 Graphics Card and 4gb Memory Host Computer and 5117866-48 for HP8200 Host Computer with FX1500 Graphics Card and 2gb of Memory; Updated BOMs in Chapter 1, 2 and 3.

Revision	Date	Reason for Change
7	12/19/08	Updated Important Precautions to add new languages FCTge43413: Restructured manual to eliminate duplicate BOMs and updated and added BOMs and ADW, as required. Chapter 1: Consolidated all GOC consoles into chapter. Updated 2378862-30 BOM to Rev. 11 Updated 2378862-50, -51, -52 to Rev. 9 Updated 2377708-550ADW to Rev. 4 Updated 2377708-550 BOM to Rev.11, -551 BOM to Rev. 12, -552 BOM to Rev. 11, -553 BOM to Rev. 10 Chapter 2: Consolidated all Related Console Assemblies into chapter. Updated 2362591-2 BOM to Rev. 6 Updated 2362591-5 BOM to Rev. 6 Updated 2404320ADW to Rev. 12; updated 2404320 BOM to Rev. 16 Added information for 2404320-2 BOM Rev. 2 Updated 2368838 BOM to Rev. 2 Added Peripheral Tower, Dual-bay, MOD, DVD-RAM 5437410 BOM Rev. 6 Updated 2175159-3ADW to Rev. 3 Added Assembly - Outlet Box (GOC4) 2174159-5ADW Rev. 2; 2174159-5 BOM Rev. 2 Updated 5160898ADW to Rev 3; updated 5160898 BOM to Rev. 4 Chapter 3: Consolidated all Associated Items into chapter. Chapter 4: Consolidated all Options into chapter. Chapter 5: DST Additions Updated 511245 BOM to Rev. 3 Updated 5111626 BOM to Rev. 9

Table of Contents

Chapter 1

GOC4 with HP	21
Section 1.0 — GOC4 with HP xw8000	21
GOC4 16-Slice MDAS and GDAS (2377708-30, -31, -32 BOM, Rev 3)	21
1.1 GOC4 with XW8000 (2378862-30, -31, -32)	22
GOC4 (2378862-30, sheet 1, rev 6)	22
GOC4 (2378862-30, sheet 2, rev 6)	23
GOC4 (2378862-30, sheet 3, rev 6)	24
GOC4 (2378862-30, sheet 4, rev 6)	25
GOC4 - 16-Slice (2378862-30 BOM, Rev 11)	26
Section 2.0 — GOC4 with HPxw8200	28
Console Assembly, GOC4 with XW8200 and 11G (2377708-40, 41, 42, 43, 50, 51, 52, 53 BOM)	28
2.1 GOC4 with XW8200 (2378862-50, -51, -52, -53)	29
GOC4 (2378862-50, sheet 1, rev 1)	29
GOC4 (2378862-50, sheet 2, rev 1)	30
GOC4 (2378862-50, sheet 3, rev 1)	31
GOC4 (2378862-50, sheet 4, rev 1)	32
Assy, GOC4 with XW8200, 11G and Ethernet Switch (2378862-50, -51, -52, -53 BOM, Rev 9)	33
2.2 GOC4 GRE with XW8200 (2378862-40, -41, -42, -43)	35
GOC4 (2378862-30, sheet 1, rev 6)	35
GOC4 (2378862-30, sheet 2, rev 6)	36
GOC4 (2378862-30, sheet 3, rev 6)	37
GOC4 (2378862-30, sheet 4, rev 6)	38
Assy, GOC4 - GRE with XW8200 and 11G for 16 Slice MDAS and GDAS (2378862-40 BOM, Rev 8; 2378862-41 rev 5, -42 rev 4, -43 Rev 5)	39
Section 3.0 — GOC4 Jarrell	41
3.1 GOC4 Jarrell (2377708-530)	42
Console Chassis Assembly, Jarrell (2377708-530, sheet 1, rev 3)	42
Console Chassis Assembly, Jarrell (2377708-530, sheet 2, rev 3)	43
Console Chassis Assembly, Jarrell (2377708-530, sheet 3, rev 3)	44
Console Chassis Assembly, Jarrell (2377708-530, sheet 4, rev 3)	45

	Assy, GRE Console, 1IG 16 Slice MDAS and GDAS for GOC4, Jarrell (2377708-530 BOM, Rev 5)	46
3.2	GOC4 Jarrell with HP XW8200 (2377708-540)	48
	GOC4 Jarrell with HP XW8200 (2377708-540, sheet 1, rev 1)	48
	GOC4 Jarrell with HP XW8200 (2377708-540, sheet 2, rev 1)	49
	GOC4 Jarrell with HP XW8200 (2377708-540, sheet 3, rev 1)	50
	GOC4 Jarrell with HP XW8200 (2377708-540, sheet 4, rev 1)	51
	Assy, GRE Console, 16 Slice MDAS and GDAS for GOC4 with XW8200 and 1IG, Jarrell (2377708-540 BOM, Rev 6)...	52
3.3	GOC4 Jarrell with XW8200 and Ethernet Switch (2377708-550, -551, -552, -553)	54
	GOC4 Jarrell with XW8200 and Ethernet Switch (2377708-550, sheet 1, rev 4)	54
	GOC4 Jarrell with XW8200 and Ethernet Switch (2377708-550, sheet 2, rev 4)	55
	GOC4 Jarrell with XW8200 and Ethernet Switch (2377708-550, sheet 3, rev 4)	56
	GOC4 Jarrell with XW8200 and Ethernet Switch (2377708-550, sheet 4, rev 4)	57
	Assy, GRE Console, 4 or 8 slice MDAS for GOC4 with XW8200, 1IG, and Eth Switch, Jarrell (2377708-550 BOM Rev 11, -551 Rev 12, - 552 Rev 11, -553 Rev 10)	58

Chapter 2

Related Console Assemblies	61
Section 1.0 — HLA Console Chassis (2362591-2)	62
HLA Console Chassis (2362591-2, sheet 1, rev 3)	62
HLA Console Chassis (2362591-2, sheet 2, rev 3)	63
HLA Console Chassis (2362591-2, sheet 3, rev 3)	64
HLA Console Chassis (2362591-2 BOM, Rev 6)	65
Section 2.0 — HLA Console Chassis (2362591-5)	68
GOC4 Console Chassis High Level Assembly (2362591-5, sheet 1, rev 1)	68
GOC4 Console Chassis High Level Assembly (2362591-5, sheet 2, rev 1)	69
GOC4 Console Chassis High Level Assembly (2362591-5, sheet 3, rev 1)	70
HLA Console Chassis (2362591-5 BOM, Rev 6)	71
Section 3.0 — Console Intercom Prescribed-Tilt Hub (2404320)	74
Console Intercom Prescribed-Tilt Hub (2404320 sheet 1, rev 12)	74
Console Intercom Prescribed-Tilt Hub (2404320 BOM, Rev 16, -2 Rev 2)	75
Section 4.0 — SCSI Tower, DVD-RAM, MOD (2368838)	76
SCSI Tower, DVD-RAM, MOD (2368838 Sheet 1, Rev 2)	76
SCSI Tower, DVD-RAM, MOD (2368838 BOM, Rev 2)	77

Section 5.0 — Peripheral Tower, Dual-bay, MOD, DVD-RAM	77
Peripheral Tower, Dual-bay, MOD, DVD-RAM (5167410 BOM Rev 6).....	77
Section 6.0 — Cover Assy - Console Front (5128181)	78
Cover Assy - Console Front (5128181 sheet 1, rev 1)	78
Cover Assy - Console Front (5128181 BOM, Rev 1)	79
Section 7.0 — Side Covers GOC (2337534).....	79
Side Covers GOC (2337534 BOM, Rev 0).....	79
Section 8.0 — Assembly - Outlet Box (GRE) (2174159-3)	80
GRE Outlet Box Assembly (2174159-3, sheet 1, rev 3).....	80
Assembly - Outlet Box (GRE) (2174159-3 BOM, Rev 4).....	81
Section 9.0 — Assembly - Outlet Box (GOC4) (2174159-5).....	82
Assembly - Outlet Box (GOC4) (2174159-5 sheet 1, Rev 2)	82
Assembly - Outlet Box (GOC4) (2174159-5 BOM, Rev 2)	83
Section 10.0 — SubAssy, GRE Console Rear Bulkhead (5160898)	84
SubAssy, GRE Console Rear Bulkhead (5160898, sheet 1, rev 3)	84
SubAssy, GRE Console Rear Bulkhead (5160898 BOM Rev 4)	85

Chapter 3

Associated Items.....	87
Section 1.0 — Monitors	88
Monitor Selection Flowchart	88
1.1 LCD Monitor and Cable - 18 Inch (2309592).....	89
LCD Monitor and Cable (2309592 BOM, Rev 1).....	89
1.2 LCD Monitor - 19 Inch (B7858LC)	89
LCD Monitor and Cable (B7858LC BOM, Rev 3).....	89
Section 2.0 — Keyboard with SCIM, Collectors	90
Keyboard and SCIM Assembly (Rev 11/15/00).....	90
2.1 Keyboard with SCIM Collector - English (2275758).....	91
Keyboard with SCIM Collector - English (2275758 BOM, Rev 5).....	91
2.1.1 – SCIM Collector – English (2275752)	91
SCIM Collector - English (2275752 BOM, Rev 2)	91

2.2	French (2275758-2)	92
	Keyboard with SCIM Collector - French (2275758-2 BOM, Rev 3)	92
	2.2.1 – SCIM Collector - French (2275752-2)	92
	SCIM Collector - French (2275752-2 BOM, Rev 2)	92
2.3	German (2275758-3)	93
	Keyboard with SCIM Collector - German (2275758-3 BOM, Rev 3)	93
	2.3.1 – SCIM Collector - German (2275752-3)	93
	SCIM Collector - German (2275752-3 BOM, Rev 2)	93
2.4	Swedish (2275758-4)	93
	Keyboard with SCIM Collector - Swedish (2275758-4 BOM, Rev 3)	93
2.5	International (2275758-5)	94
	Keyboard with SCIM Collector - International (2275758-5 BOM, Rev 3)	94
	2.5.1 – SCIM Collector - International (2275752-4)	94
	SCIM Collector - International (2275752-4 BOM, Rev 3)	94
2.6	Spanish (2275752-7)	95
	SCIM Collector - Spanish (2275758-7 BOM Rev 1)	95
2.7	Italian (2275752-8)	95
	SCIM Collector - Italian (2275752-8 BOM Rev 1)	95
2.8	Portuguese (2275752-9)	95
	SCIM Collector - Portuguese (2275752-9 BOM Rev 1)	95
2.9	English and Chinese (2275752-10)	96
	SCIM Collector - English and Chinese (2275752-10 BOM Rev 3)	96
	2.9.1 – Keyboard and SCIM Collector - English and Chinese (2275758-10)	96
	SCIM Collector - English and Chinese (2275758-10 BOM Rev 3)	96
2.10	Japanese (2275752-11)	96
	SCIM Collector - Japanese (2275752-11 BOM Rev 1)	96
Section 3.0 — Peripherals		97
3.1	Console Slide Service Kit (2379135)	97
	Console Slide Service Kit (2379135 BOM, Rev 0)	97
3.2	Power Switch and Cables (2379134)	97
	Power Switch and Cables (2379134 BOM, Rev 0)	97

3.3	Modem Kit (B7700MG)	97
	GOC3 Modem Kit (B7700MG BOM, Rev 0).....	97

**Chapter 4
 Options**.....

Section 1.0 — Video Upgrade for Linux Console (B7868MC)	100
Video Upgrade for Linux Console (B7868MC BOM, Rev 0)	100
1.1 Video Upgrade (2378278)	100
Video Upgrade (2378278 BOM, Rev 3)	100
Section 2.0 — LCD and SUSP (Boom In Room) LNX (B7710LM)	101
LCD and SUSP (Boom in Room) LNX (B7710LM BOM, Rev 0).....	101
2.1 Boom-in-a-Room for Linux (2376773)	101
Boom-in-a-Room for Linux (2376773 BOM, Rev 2)	101
Section 3.0 — HS/LS Remote Color (LNX) Monitor (B7530LC)	102
HS/LS Remote Color (LNX) Monitor (B7530LC BOM, Rev 0).....	102
3.1 Remote Monitor Kit (2377146)	102
Remote Monitor Kit (2377146 BOM, Rev 2).....	102

Chapter 5

DST (HP60) Additions	103
DISCOVERY CONSOLE UPDATE	103
Section 1.0 — GRE Console PET Upgrade Kit (5111245)	104
GRE Console PET Upgrade Kit (5111245 BOM Rev 3)	104
Section 2.0 — Console Collector Kit, GOC3 on DST (5111626)	105
Console Collector Kit. GOC3 on DST (5111626 BOM, Rev 9).....	105
2.1 Base PET Option, Linux (5114735)	105
Base PET option, Linux (5114735 BOM, Rev 1).....	105

End of TOC.

Chapter 1

GOC4 with HP

See [Chapter 2](#) for information on Related Console Assemblies.

See [Chapter 3](#) for information on Associated Items.

See [Chapter 4](#) for information on Options.

Section 1.0 — GOC4 with HP xw8000

- GOC4, 16-slice MDAS and GDAS (2377708-30)
- GOC4, 4- or 8-slice MDAS and GDAS (2377708-31)
- GOC4, 4-slice SDAS (2377708-32)

MARK	NUMBER	QTY	FRU	DESCRIPTION
1	2378862-30	1.0	No	ASSY, GOC - 1 IG GRE 16 SLICE MDAS and GDAS for GOC4 ASSY, GOC - 4 IG GRE 4 OR 8 SLICE MDAS AND GDAS ASSY, GOC - 4 IG GRE SDAS (For further detail, see Section 1.1, beginning on page 22.)
2	46-302200P1	1.0	No	RATING PLATE W/ SN, MN_ & RATINGS
3	2386393-2	1.0	No	LABEL, ETL COMPONENT APPROVAL, INFORMATION TECHNOLOGY EQUIPMENT

Table 1-1 GOC4 16-Slice MDAS and GDAS (2377708-30, -31, -32 BOM, Rev 3)

1.1 GOC4 with XW8000 (2378862-30, -31, -32)

FRU = NO

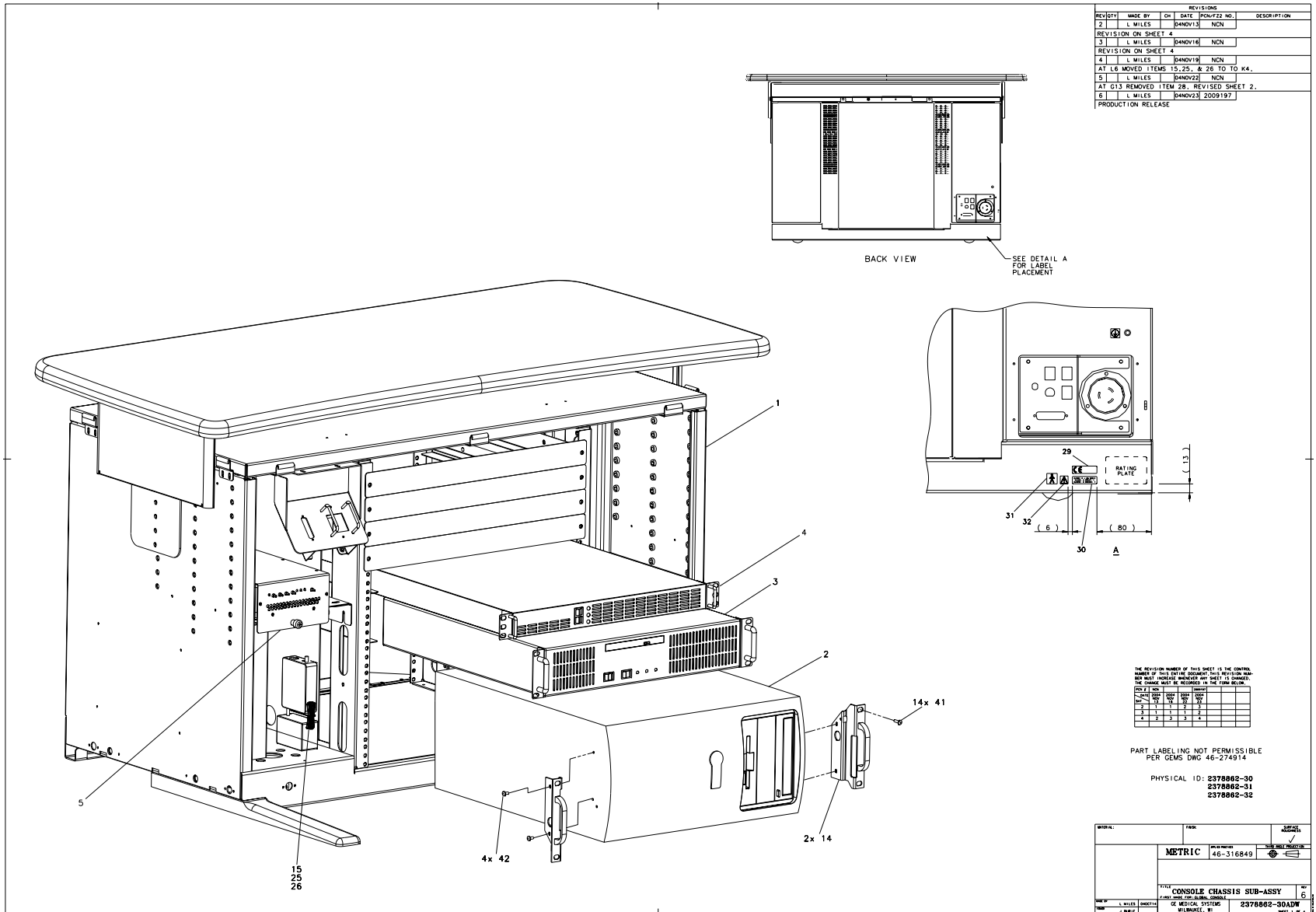


Figure 1-1 GOC4 (2378862-30, sheet 1, rev 6)

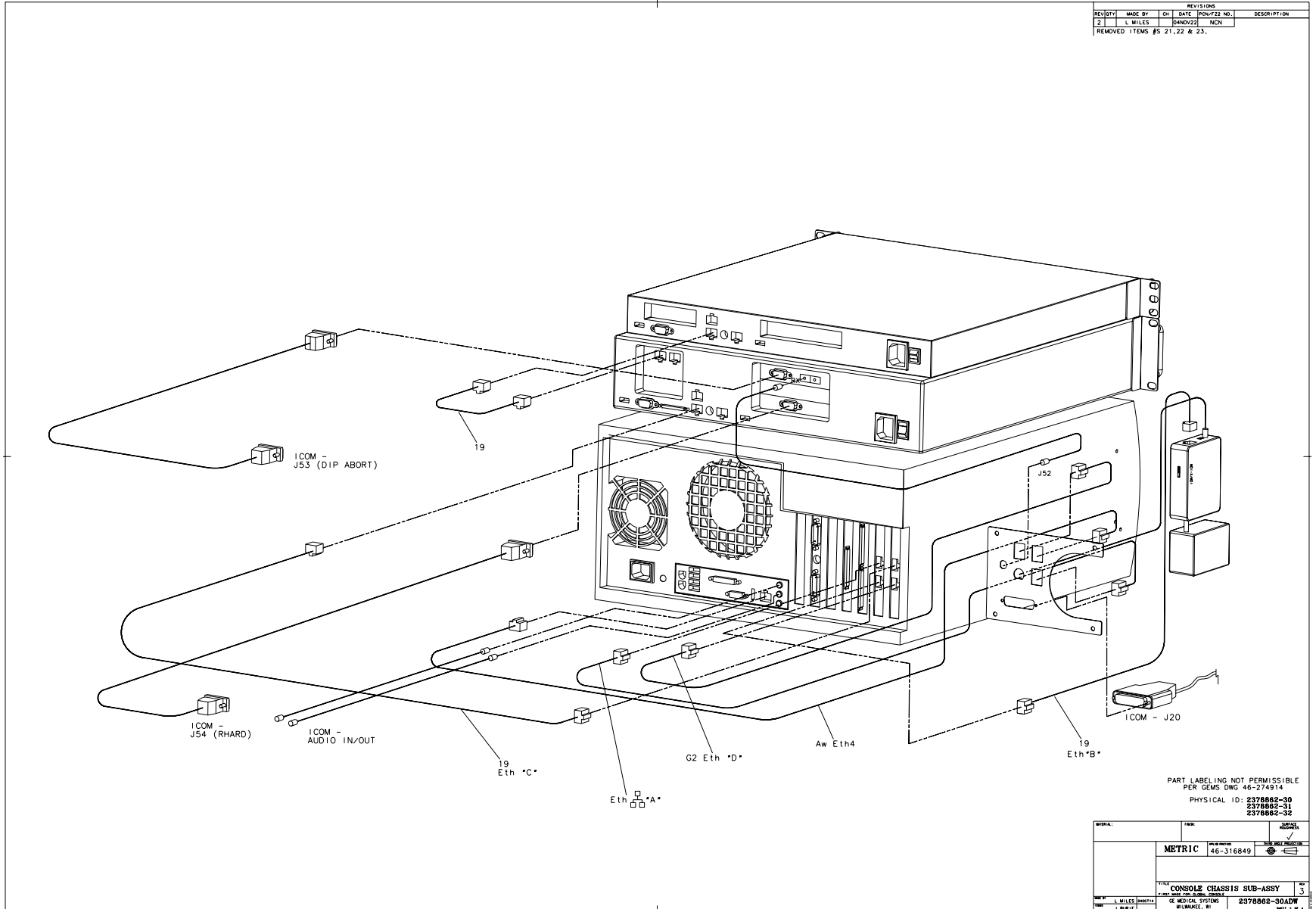


Figure 1-2 GOC4 (2378862-30, sheet 2, rev 6)

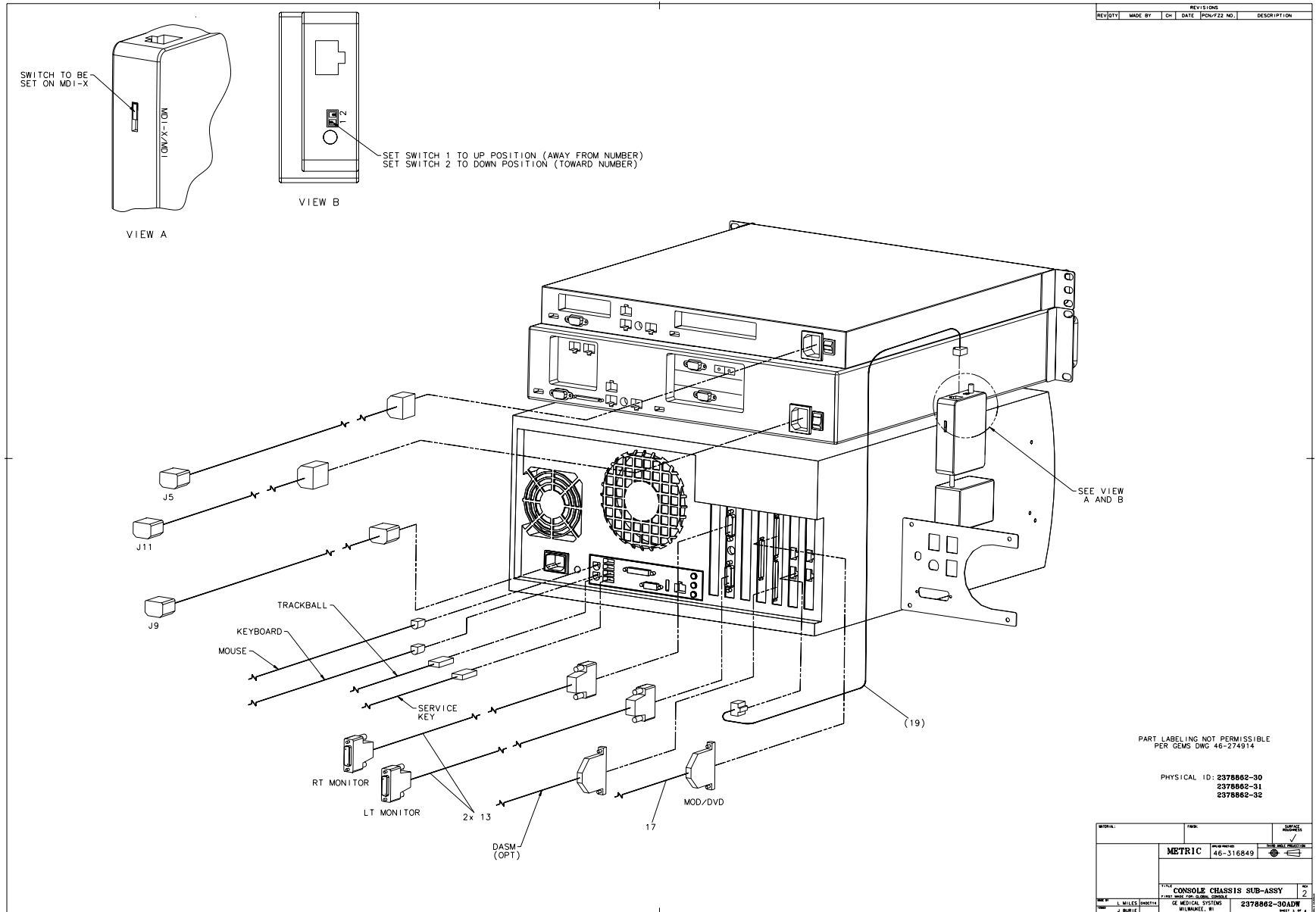


Figure 1-3 GOC4 (2378662-30, sheet 3, rev 6)

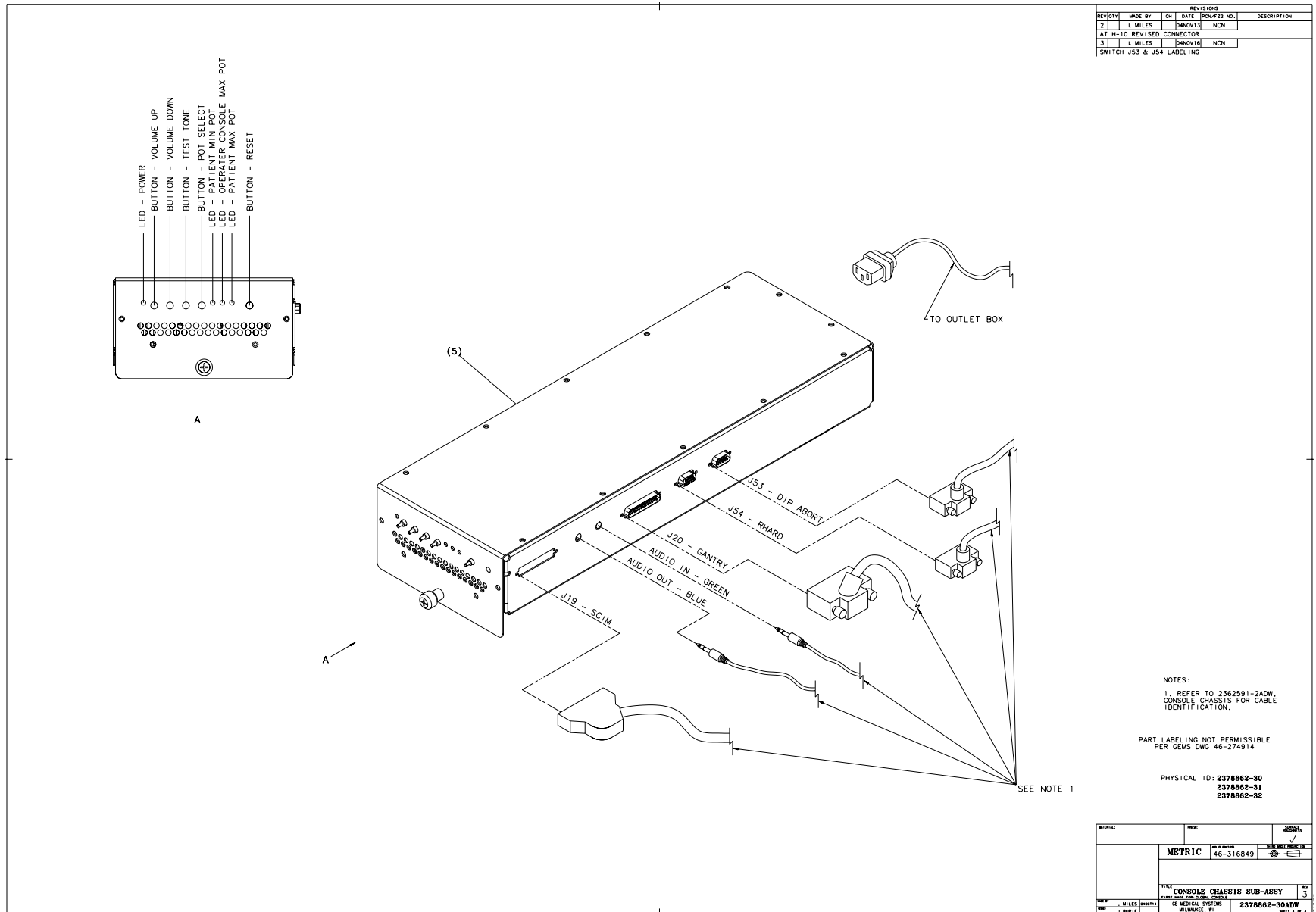


Figure 1-4 GOC4 (2378862-30, sheet 4, rev 6)

MARK	NUMBER	QTY	FRU	DESCRIPTION
2	2368697-3	1	Yes	GEMS CT-GRE USA
3	5114772	1	Yes	DARC Computer - Dual Disk H16 MDAS, GDAS
4	2362872	1	Yes	IMAGE GENERATION COMPUTER - GRE
5	2404320	1	Yes	CONSOLE INTERCOM PRESCRIBED-TILT HUB <i>For further detail, see Section 3.0, beginning on page 74</i>
6	5167410	1	Yes	Peripheral Tower, dual-bay, MOD, DVD-RAM <i>For further detail, see Section 5.0, beginning on page 77</i>
8	2368697-2	2	Yes	LINUX DDR WORKSTATION 3BUTTON PS2 MOUSE
9	2399753-2	1	Yes	TRACKBALL, RoHS - 3 BTTN USB for GRE
11	5128181	1	Yes	Cover Assy - Console Front <i>(For further detail, see Section 6.0, beginning on page 78)</i>
12	2337534	1	Yes	SIDE COVERS GOC <i>(For further detail, see Section 7.0, beginning on page 79)</i>
-	2377227-2	1	Yes	UTP TRANSCEIVER - BNC TO RJ45 Assembly
-	5117866-24	1	Yes	Host Computer, CTPET HP8200 with FX1400 Graphics Card and 2GB Memory
-	5117866-48	1	Yes	Host Computer, CTPET HP8200 with FX1500 Graphics Card and 2GB Memory
1	2362591-2	1	No	HLA Console Chassis <i>(For further detail, see Section 1.0, beginning on page 62)</i>
13	2304737-2	2	No	CABLE, DVI VIDEO CABLE - OCTANE II
14	2366442-27	2	No	BRACKET, RACK MOUNT HOST COMPUTER
15	2377227	1	No	UTP TRANSCEIVER - BNC TO RJ45 W/I.T.E PWR SPPLY #24000027
17	2324697-2	1	No	SCSI CABLE, VHD68 TO CENT 50, LINUX
19	2374965-2	3	No	CABLE - ETHERNET CAT5E X 610MM LG
24	2335376	1	No	CABLE - PDU TO CONSOLE FOR GOC
25	46-136246P14	1	No	2~ WIDE, WHT, ADH BACK, VELCRO LOOP 25 YD
26	46-136246P21	1	No	2~ WIDE X 25 YD WHITE VELCRO HOOKS
27	46-208781P2	4	No	WRITE-ON LABEL FOR MARKING CABLES WHITE ADHESIVE BACKED 0.75~ X 1.90~. UNMARKED, 2,500 PC FAN-FOLD SHEETS (FULL SIZE = 1.9~ X 3.15~.)

Table 1-2 GOC4 - 16-Slice (2378862-30 BOM, Rev 11)

MARK	NUMBER	QTY	FRU	DESCRIPTION
29	2117390-2	1	No	CE Compliance and WEEE Labels
30	2132620	1	No	EMC LABEL CLASS A GROUP 1
31	46-279769P1	1	No	IEC TYPE B SYMBOL
32	46-269337P6	1	No	LABEL OLD
33	2240540	1	No	NETSCAPE LICENSE
34	46-269568P1	1	No	INFORMIX SOFTWARE-DATA BASE MANAGER (V5.0 RTU) SINGLE USER LICENSE INFORMIX SOFTWARE-DATA BASE MANAGER
35	2214164	1	No	5.25~ 2.3GB 512 BYTES/SECTOR MOD
36	2337414	2	No	DVD RAM MEDIA, 9.4 GB
37	2227726	1	No	MOUSE PAD FOR LIGHTSPEED
39	46-208758P3	6	No	7.31~ X .184~ SELF-LOCKING CABLE TIE 1/16~ TO 1-3/4~ WIRE BUNDLE RANGE. 50LB TENSILE STRENGTH, NYLON MATR~L.
41	46-312358P51	14	No	M5 X 0.8 X 12MM METRIC FREEDRIV ZINC PLATED CROSS RECESSED PAN HEAD MACHINE SCREW
42	2103585-2	4	No	SCREW PAN HEAD 4 MM 10 MM SPRING WASHER, ZINC PLATED, STEEL

Table 1-2 GOC4 - 16-Slice (2378862-30 BOM, Rev 11)

Section 2.0 — GOC4 with HPxw8200

GOC4 WITH HP XW8200

- GOC4, 16-slice MDAS and GDAS, 1-IG and Ethernet Switch (2378862-50)
- GOC4, 4- or 8-slice MDAS, 1-IG and Ethernet Switch (2378862-51)
- GOC4, 4- or 8-slice GDAS, 1-IG and Ethernet Switch (2378862-52)
- GOC4, 4-slice SDAS, 1-IG and Ethernet Switch (2378862-53)

GOC4 GRE WITH XW8200

- GOC4-GRE with XW8200 and 1IG, for 16slice MDAS and GDAS (2378862-40)
- GOC4-GRE with XW8200 and 1IG, for 4 or 8slice MDAS (2378862-41)
- GOC4-GRE with XW8200 and 1IG, for 4 slice SDAS (2378862-42)
- GOC4-GRE with XW8200 and 1IG, for 4 and 8 slice GDAS (2378862-43)

MARK	NUMBER	QTY	FRU	DESCRIPTION
1	2378862-50	1.0	No	Assy, GOC4 - 16 SLICE MDAS and GDAS with XW8200, 1IG and Ethernet Switch
	2378862-51			Assy,GOC4- 4 or 8slice MDAS with XW8200, 1 IG, and Ethernet Switch
	2378862-52			Assy, GOC4- 4 or 8 slice GDAS with XW8200, 1IG, and Ethernet Switch
	2378862-53			Assy, GOC4- 4slice SDAS with XW8200, 1IG, and Ethernet Switch (For further detail, see Section 2.1, beginning on page 29.)
	2378862-40	1.0	No	Assy,GOC4-GRE with XW8200 and 1IG, for 16slice MDAS and GDAS
	2378862-41			Assy,GOC4-GRE with XW8200 and 1IG, for 4 or 8slice MDAS
	2378862-42			Assy, GOC4-GRE with XW8200 and 1IG, for 4 slice SDAS
	2378862-43			Assy, GOC4-GRE with XW8200 and 1IG, for 4 and 8 slice GDAS (For further detail, see Section 2.2, beginning on page 35.)
2	46-302200P1	1.0	No	RATING PLATE W/ SN, MN_ & RATINGS
3	2386393-2	1.0	No	LABEL, ETL COMPONENT APPROVAL, INFORMATION TECHNOLOGY EQUIPMENT

Table 1-3 Console Assembly, GOC4 with XW8200 and 1IG (2377708-40, 41, 42, 43, 50, 51, 52, 53 BOM)

2.1 GOC4 with XW8200 (2378862-50, -51, -52, -53)

FRU = NO

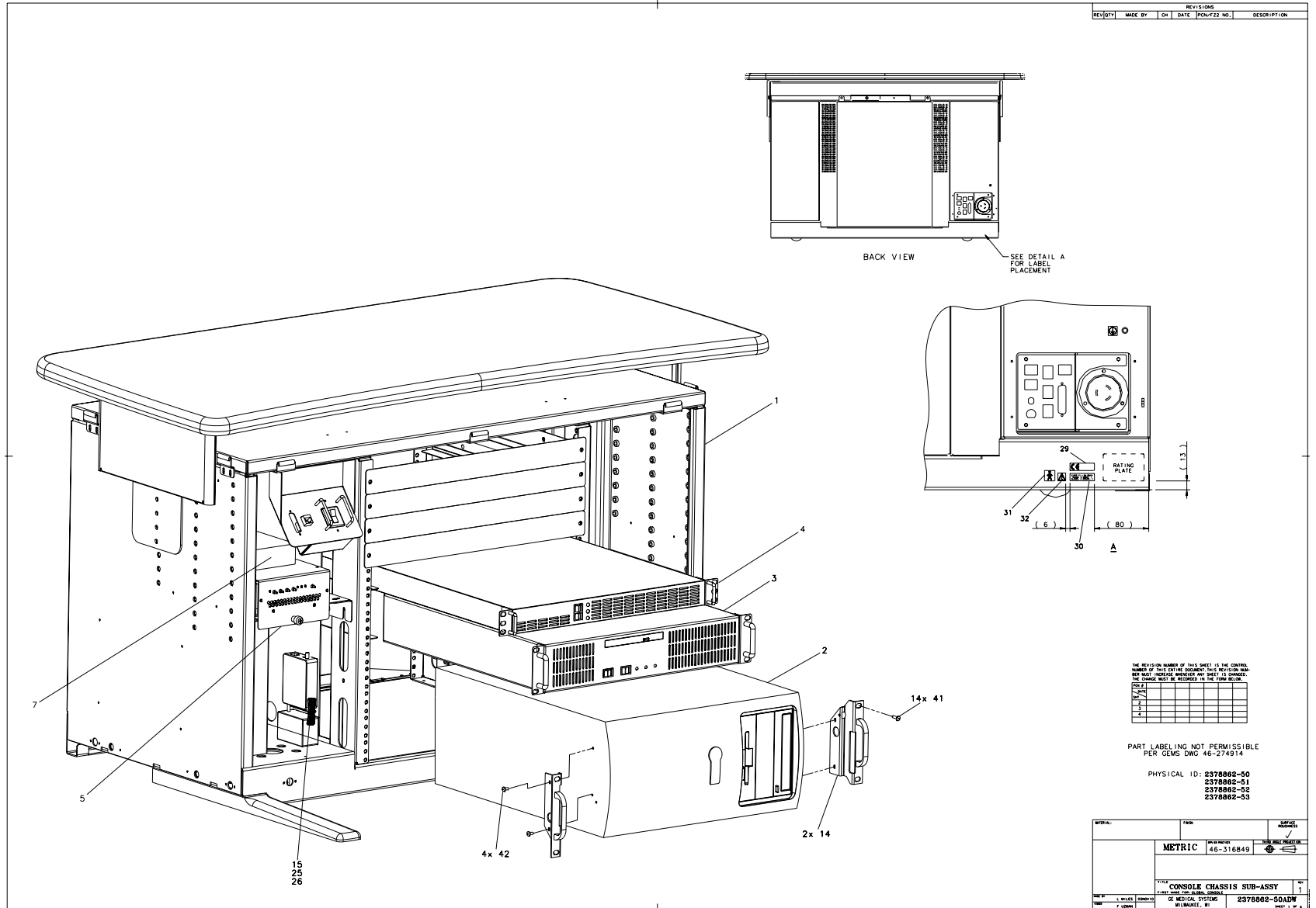


Figure 1-5 GOC4 (2378862-50, sheet 1, rev 1)

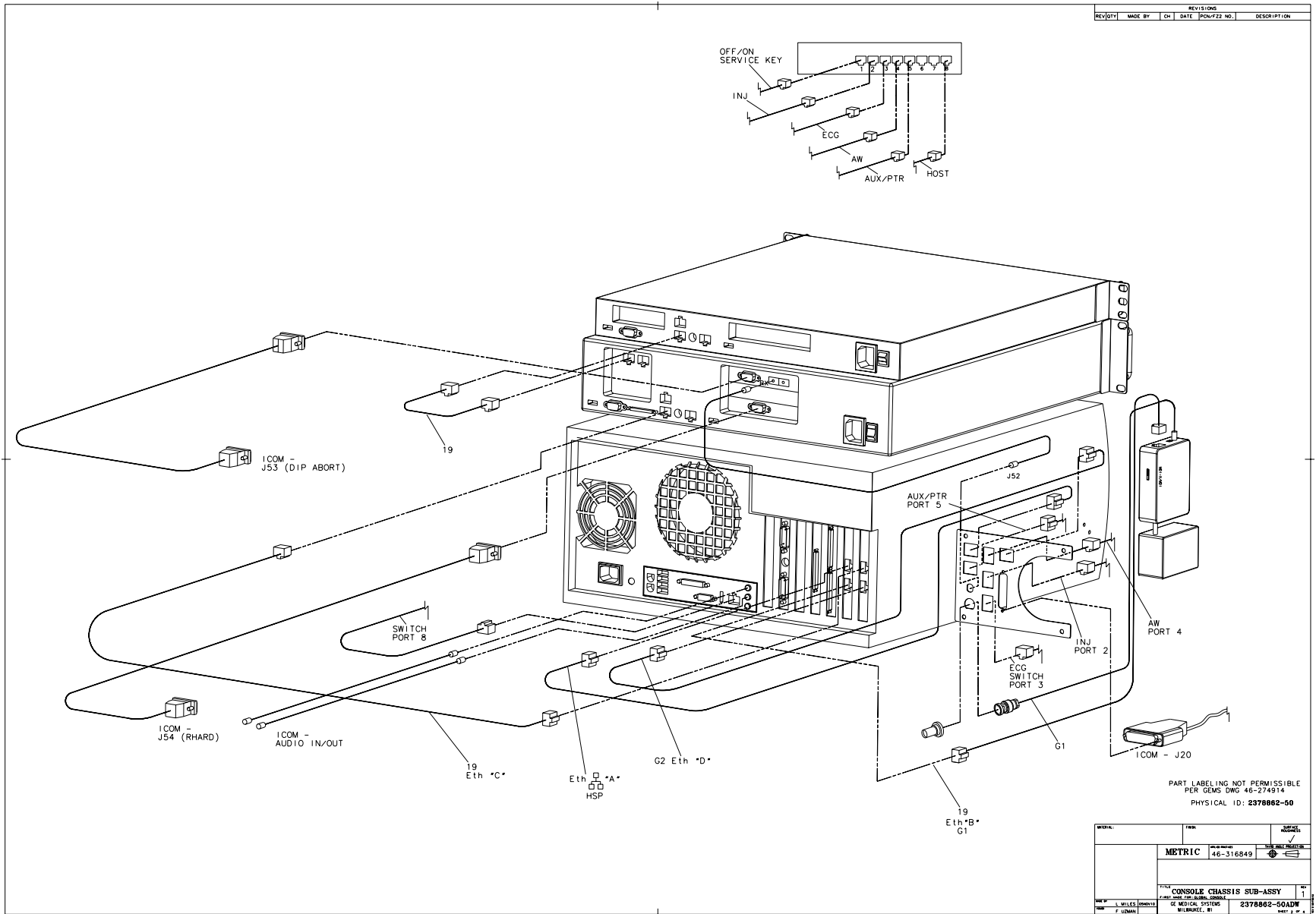


Figure 1-6 GOC4 (2378862-50, sheet 2, rev 1)

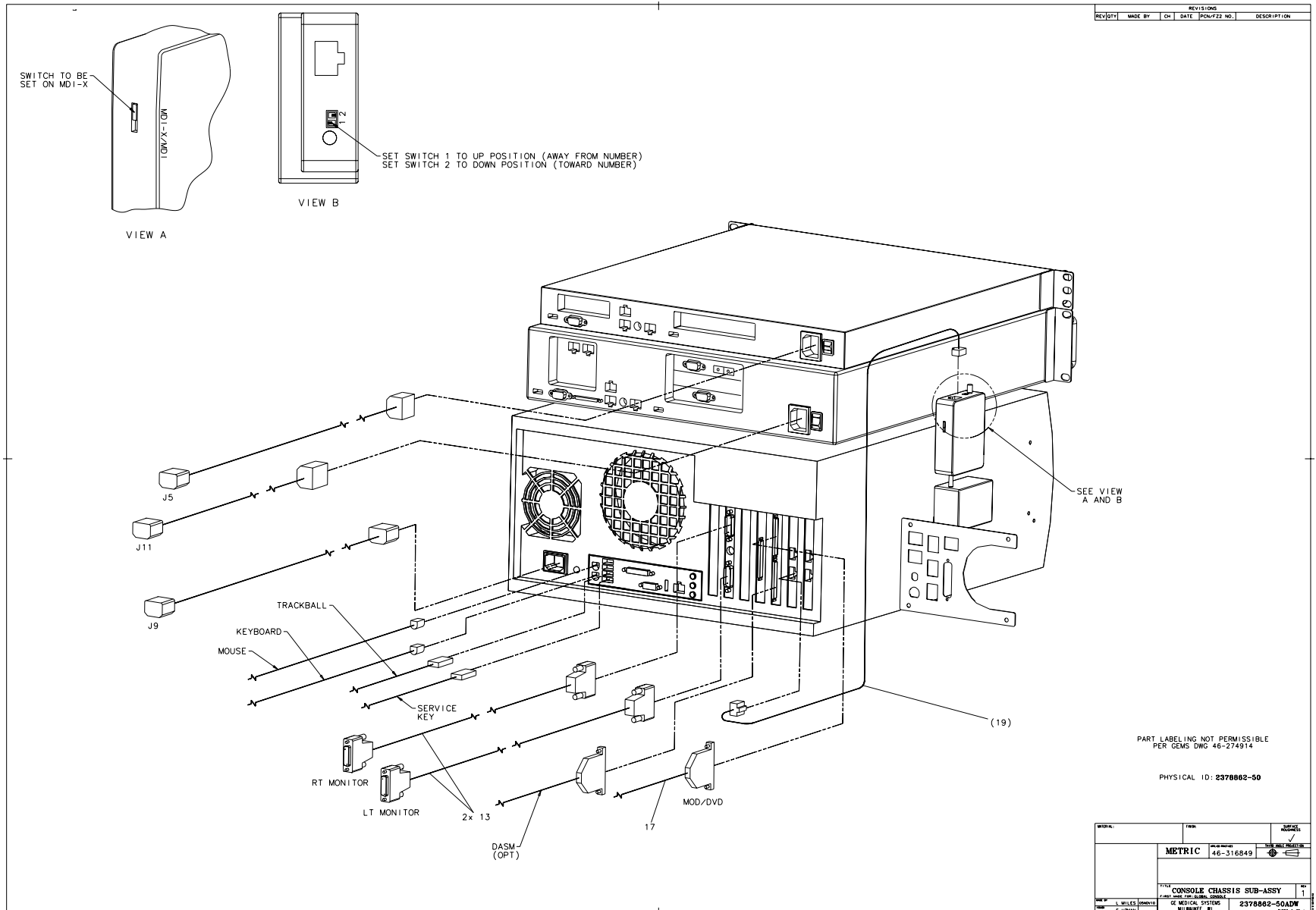


Figure 1-7 GOC4 (2378862-50, sheet 3, rev 1)

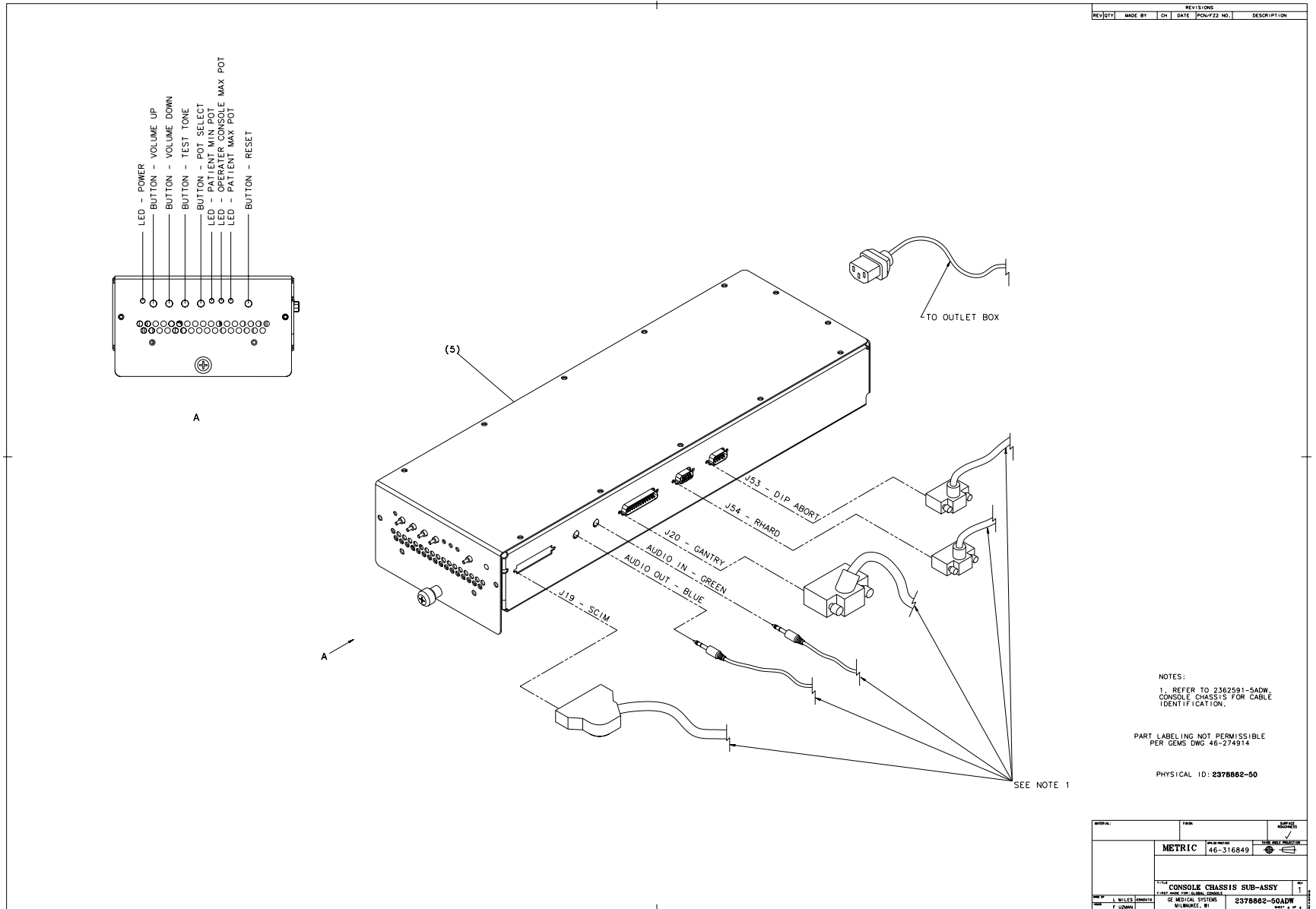


Figure 1-8 GOC4 (2378862-50, sheet 4, rev 1)

MARK	NUMBER	QTY	FRU	DESCRIPTION/NAME
2	5117866-28 ¹ 5117866-24 ^{2, 3, 4}	1	Yes	Host Computer, CTPET HP8200 with FX1400 Graphics Card and 4GB Memory Host Computer, CTPET HP8200 with FX1400 Graphics Card and 2GB Memory
3	5114772 ¹ 5114772-2 ² 5114772-3 ^{3, 4}	1	Yes	DARC Computer - Dual Disk H16 MDAS, GDAS DARC Computer - Dual Disk H3 MDAS DARC Computer - Dual Disk SMDAS
4	2362872	1	Yes	IMAGE GENERATION COMPUTER - GRE
5	2404320	1	Yes	CONSOLE INTERCOM PRESCRIBED-TILT HUB (For further detail, see Section 3.0, beginning on page 74.)
6	5167410	1	Yes	Peripheral Tower, dual-bay, MOD-DVD-RAM (For further detail, see Section 5.0, beginning on page 77.)
7	5115334	1	Yes	Switch, Ethernet 8-port GBe
8	2368697-2	2	Yes	LINUX DDR WORKSTATION 3BUTTON PS2 MOUSE
9	2399753-2	1	Yes	TRACKBALL, RoHS - 3 BTTN USB for GRE
11	5128181	1	Yes	Cover Assy - Console Front (For further detail, see Section 6.0, beginning on page 78.)
12	2337534	1	Yes	SIDE COVERS GOC (For further detail, see Section 7.0, beginning on page 79)
13	2304737-2	2	Yes	CABLE, DVI VIDEO CABLE - OCTANE II
15	2377227	1	Yes	UTP TRANSCEIVER - BNC TO RJ45 W/I.T.E PWR SPPLY #24000027
17	2324697-2	1	Yes	SCSI CABLE, VHD68 TO CENT 50, LINUX
19	2374965-2	3	Yes	CABLE - ETHERNET CAT5E X 610MM LG
24	2335376	1	Yes	CABLE - PDU TO CONSOLE FOR GOC
25	46-136246P14	1	Yes	2~ WIDE, WHT, ADH BACK, VELCRO LOOP 25 YD
26	46-136246P21	1	Yes	2~ WIDE X 25 YD WHITE VELCRO HOOKS
27	46-208781P2	4	Yes	WRITE-ON LABEL FOR MARKING CABLES WHITE ADHESIVE BACKED 0.75~ X 1.90~. UNMARKED, 2,500 PC FAN-FOLD SHEETS (FULL SIZE = 1.9~ X 3.15~.)
29	2117390-2	1	Yes	CE Compliance and WEEE Labels

Table 1-4 Assy, GOC4 with XW8200, 1IG and Ethernet Switch (2378862-50, -51, -52, -53 BOM, Rev 9)

MARK	NUMBER	QTY	FRU	DESCRIPTION/NAME
30	2132620	1	Yes	EMC LABEL CLASS A GROUP 1
31	46-279769P1	1	Yes	IEC TYPE B SYMBOL
35	2214164	1	Yes	5.25~ 2.3GB 512 BYTES/SECTOR MOD
36	2337414	2	Yes	DVD RAM MEDIA, 9.4 GB
37	2227726	1	Yes	MOUSE PAD FOR LIGHTSPEED
39	46-208758P3	6	Yes	7.31~ X .184~ SELF-LOCKING CABLE TIE 1/16~ TO 1-3/4~ WIRE BUNDLE RANGE. 50LB TENSILE STRENGTH, NYLON MATR~L.
42	2103585-2	4	Yes	SCREW PAN HEAD 4 MM 10 MM SPRING WASHER, ZINC PLATED, STEEL
43*	46-170686P3	0	Yes	LOCTITE 242, 50CC 12 MONTH SHELF LIFE FROM DATE OF SHIPMENT FROM THE MANUFACTURER
	2377227-2	1	Yes	UTP TRANSCEIVER - BNC TO RJ45 Assembly
	5117866-51 ¹	1	Yes	Host Computer, CTPET HP8200 with FX1500 Graphics Card and 4GB Memory
	5117866-48 ^{2, 3, 4}			Host Computer, CTPET HP8200 with FX1500 Graphics Card and 2GB Memory
	5270193	1	Yes	Ethernet Switch with power supply and power cord.
1	2362591-5	1	No	GOC4 Console Chassis High Level Assembly <i>For further detail, see Section 2.0, beginning on page 68.</i>
14	2366442-27	2	No	BRACKET, RACK MOUNT HOST COMPUTER
32	46-269337P6	1	No	LABEL OLD
33	2240540	1	No	NETSCAPE LICENSE
41	46-312358P51	14	No	M5 X 0.8 X 12MM METRIC FREEDRIV ZINC PLATED CROSS RECESSED PAN HEAD MACHINE SCREW

¹ Applies to 2378862-50 BOM

² Applies to 2378862-51 BOM

³ Applies to 2378862-52 BOM

⁴ Applies to 2378862-53 BOM

**Note: 5117866-51 and 5117566-48 require software release 07MW11.10 or newer.

Table 1-4 Assy, GOC4 with XW8200, 1IG and Ethernet Switch (2378862-50, -51, -52, -53 BOM, Rev 9) (Continued)

2.2 GOC4 GRE with XW8200 (2378862-40, -41, -42, -43)

FRU = NO

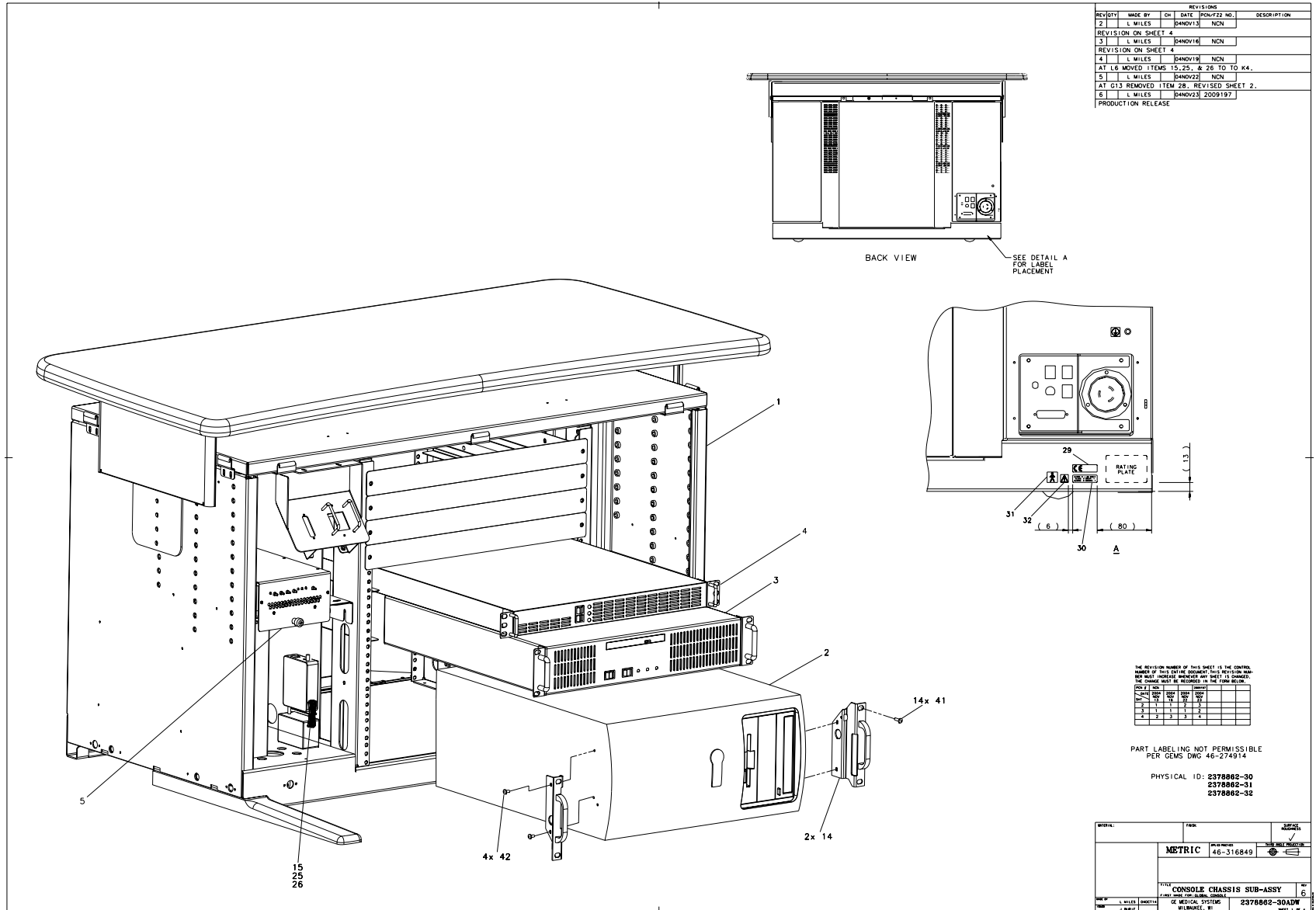


Figure 1-9 GOC4 (2378862-30, sheet 1, rev 6)

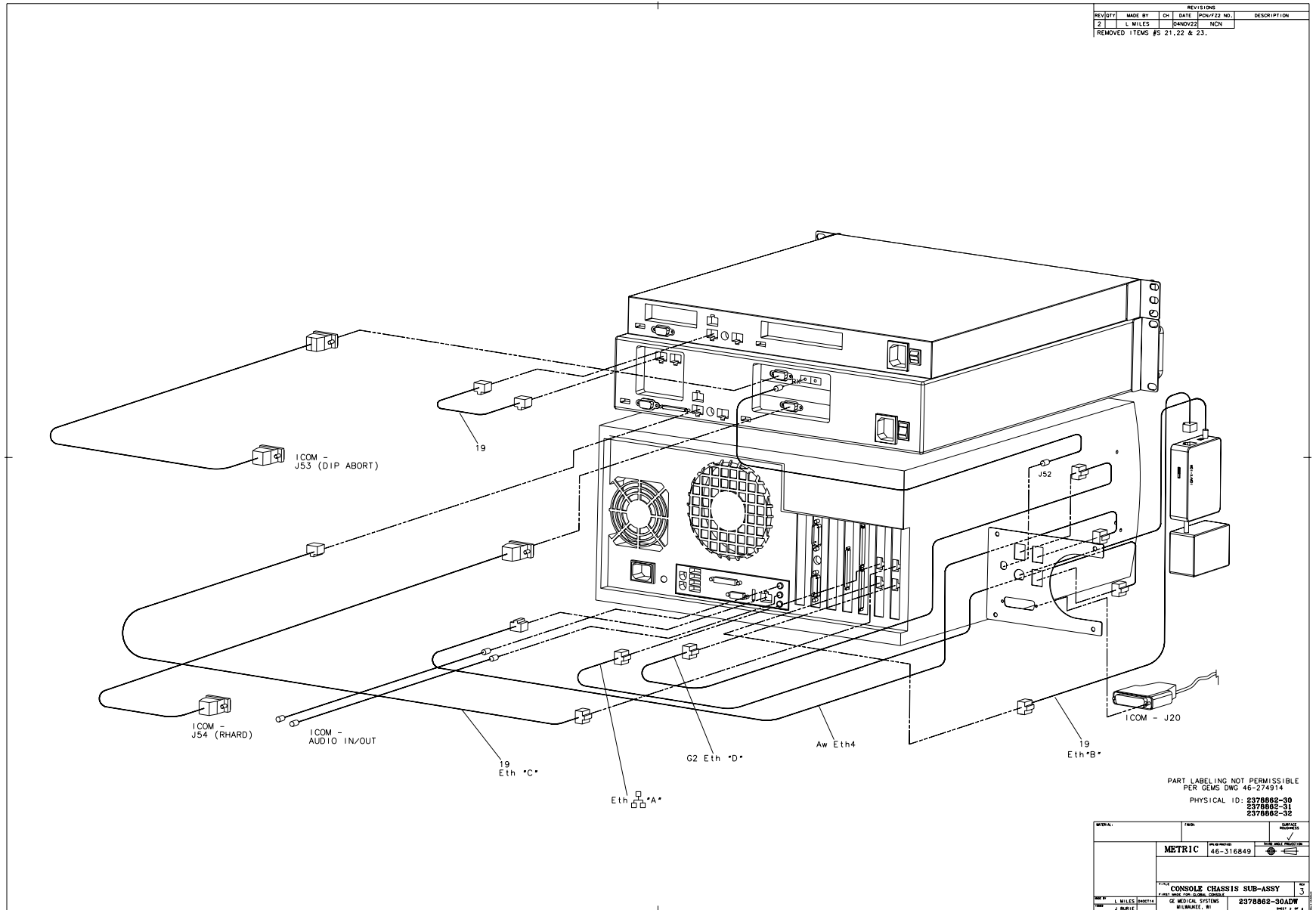


Figure 1-10 GOC4 (2378862-30, sheet 2, rev 6)

PART LABELING NOT PERMISSIBLE
 PER GEMS DWG 46-274914
 PHYSICAL ID: 2378862-30
 2378862-31
 2378862-32

DATE:	TASK:	DATE REVISION:
METRIC		
CONSOLE CHASSIS SUB-ASSY		
REV:	DATE:	REV:
L MILES	04NOV22	3
J. MILES	WILMUNDE, RI	2378862-30ADW

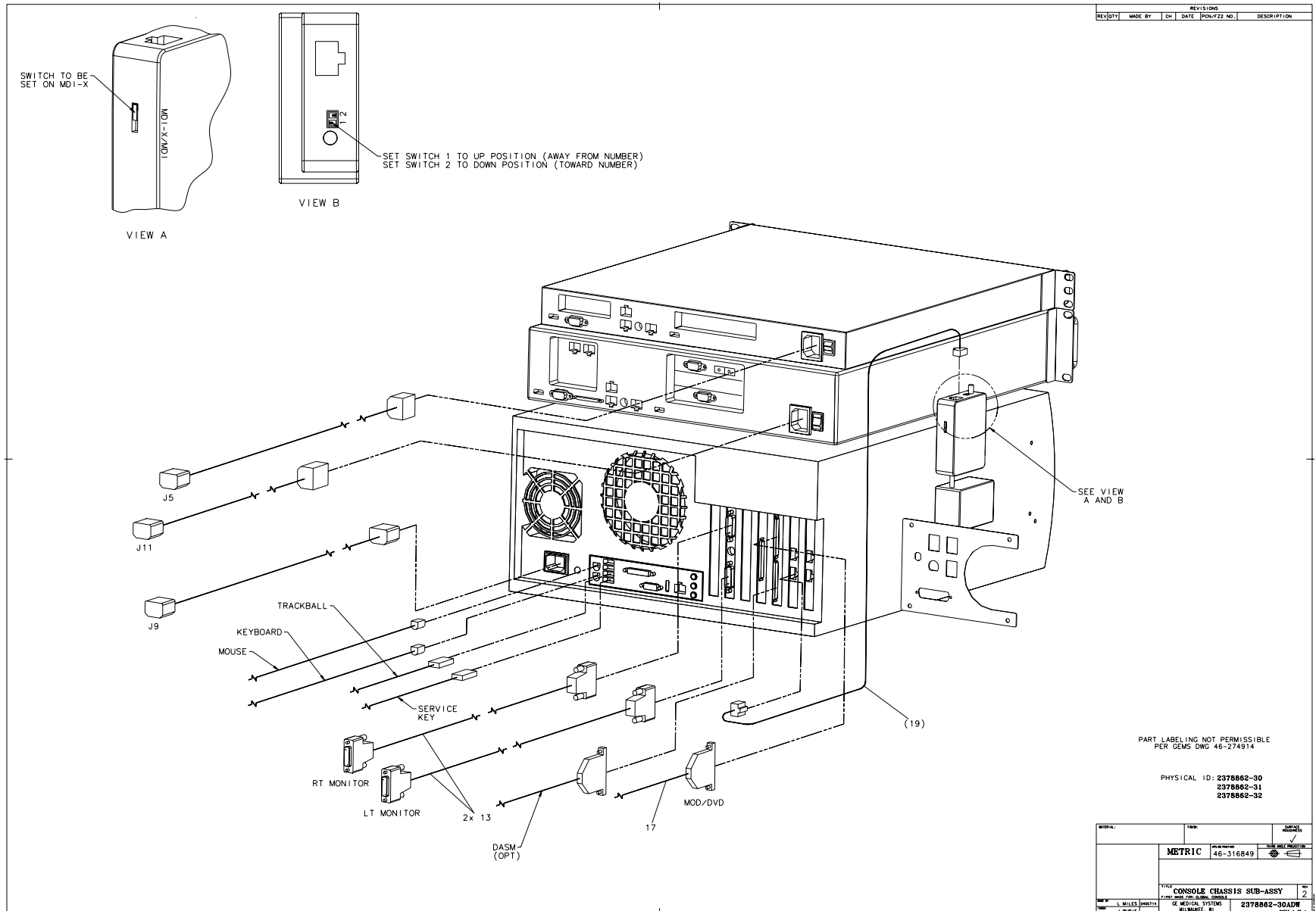


Figure 1-11 GOC4 (2378862-30, sheet 3, rev 6)

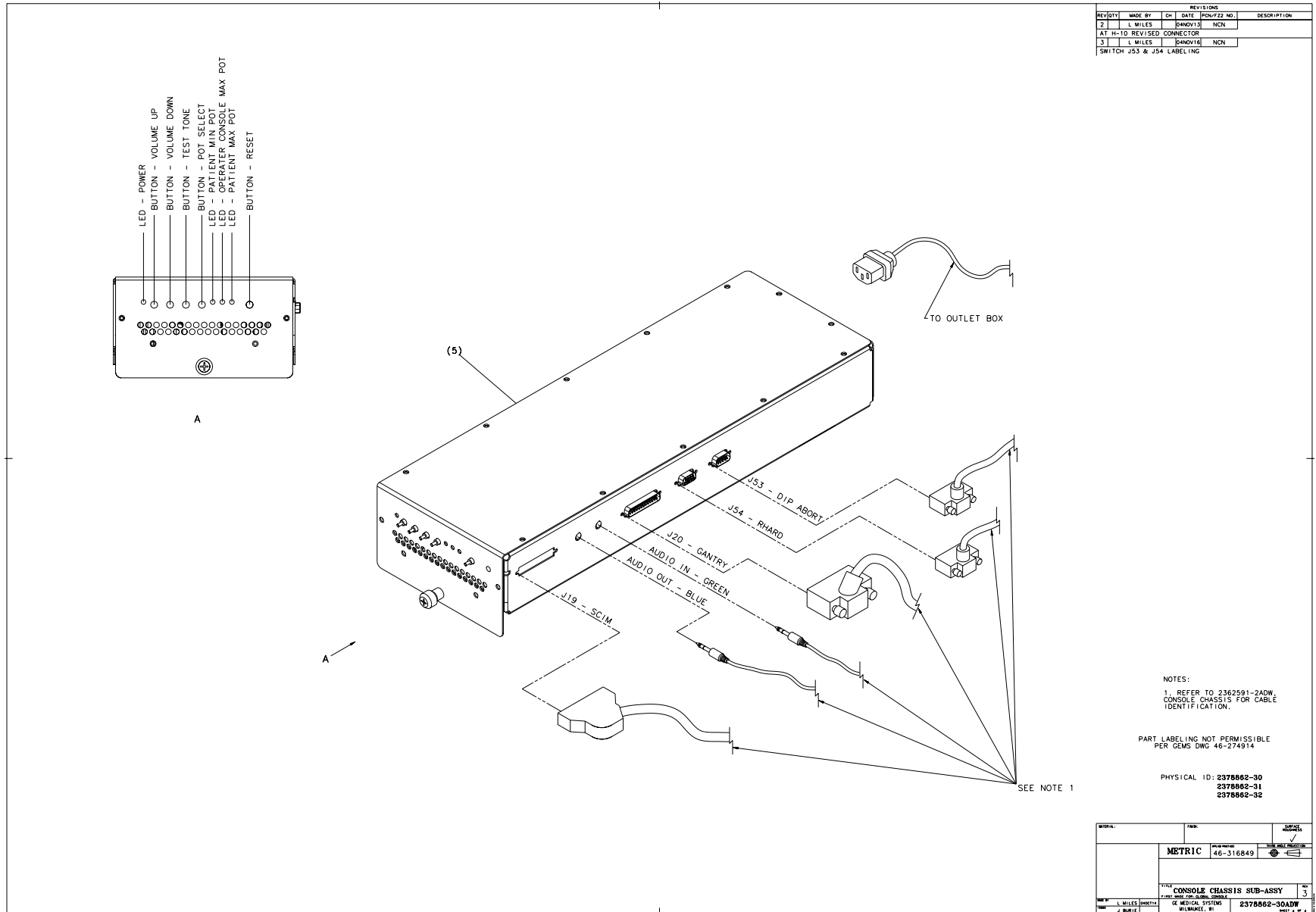


Figure 1-12 GOC4 (2378862-30, sheet 4, rev 6)

MARK	NAME	QTY	FRU	DESCRIPTION
2	5117866-28 ¹	1.0	Yes	Host Computer, CTPET HP8200 with FX1400 Graphics Card and 4GB Memory
	5117866-51 ¹			Host Computer, CTPET HP8200 with FX1500 Graphics Card and 4GB Memory
	5117866-24 ^{2, 3, 4}			Host Computer, CTPET HP8200 with FX1400 Graphics Card and 2GB Memory
	5117866-48 ^{2, 3, 4}			Host Computer, CTPET HP8200 with FX1500 Graphics Card and 2GB Memory
3	5114772 ^{1, 4}	1.0	Yes	DARC Computer - Dual Disk H16 MDAS, GDAS
	5114772-2 ²			DARC Computer - Dual Disk H16 MDAS
	5114772-3 ³			DARC Computer - Dual Disk SDAS
4	2362872	1.0	Yes	IMAGE GENERATION COMPUTER - GRE
5	2404320	1.0	Yes	CONSOLE INTERCOM PRESCRIBED-TILT HUB (For further detail, see Section 3.0, beginning on page 74.)
6	5167410 ¹	1.0	Yes	Peripheral Tower, dual-bay, MOD-DVD ram (For further detail, see Section 5.0, beginning on page 77.)
	2368838 ^{2, 3, 4}			SCSI TOWER, DVD-RAM, MOD <i>For further detail, see Section 4.0, beginning on page 76</i>
8	2368697-2	2.0	Yes	LINUX DDR WORKSTATION 3BUTTON PS2 MOUSE
9	2399753-2 ¹	1.0	Yes	TRACKBALL, RoHS - 3 BTTN USB for GRE
	2399753 ^{2, 3, 4}			TRACKBALL, 3 BTTN USB for GRE
11	5128181	1.0	Yes	Cover Assy - Console Front (For further detail, see Section 6.0, beginning on page 78.)
12	2337534	1.0	Yes	SIDE COVERS GOC (For further detail, see Section 7.0, beginning on page 79.)
13	2304737-2	2.0	Yes	CABLE, DVI VIDEO CABLE - OCTANE II
15	2377227	1.0	Yes	UTP TRANSCEIVER - BNC TO RJ45 W/I.T.E PWR SPPLY #24000027
17	2324697-2	1.0	Yes	SCSI CABLE, VHD68 TO CENT 50, LINUX
19	2374965-2	3.0	Yes	CABLE - ETHERNET CAT5E X 610MM LG
24	2335376	1.0	Yes	CABLE - PDU TO CONSOLE FOR GOC

Table 1-5 Assy, GOC4 - GRE with XW8200 and 1IG for 16 Slice MDAS and GDAS
(2378862-40 BOM, Rev 8; 2378862-41 rev 5, -42 rev 4, -43 Rev 5)

MARK	NAME	QTY	FRU	DESCRIPTION
25	46-136246P14	1.0	Yes	2~ WIDE, WHT, ADH BACK, VELCRO LOOP 25 YD
26	46-136246P21	1.0	Yes	2~ WIDE X 25 YD WHITE VELCRO HOOKS
27	46-208781P2	4.0	Yes	WRITE-ON LABEL FOR MARKING CABLES WHITE ADHESIVE BACKED 0.75~ X 1.90~. UNMARKED, 2,500 PC FAN-FOLD SHEETS (FULL SIZE = 1.9~ X 3.15~.)
29	2117390-2	1.0	Yes	CE Compliance and WEEE Labels
30	2132620	1.0	Yes	EMC LABEL CLASS A GROUP 1
31	46-279769P1	1.0	Yes	IEC TYPE B SYMBOL
35	2214164	1.0	Yes	5.25~ 2.3GB 512 BYTES/SECTOR MOD
36	2337414	2.0	Yes	DVD RAM MEDIA, 9.4 GB
37	2227726	1.0	Yes	MOUSE PAD FOR LIGHTSPEED
39	46-208758P3	6.0	Yes	7.31~ X .184~ SELF-LOCKING CABLE TIE 1/16~ TO 1-3/4~ WIRE BUNDLE RANGE. 50LB TENSILE STRENGTH, NYLON MATR~L.
42	2103585-2	4.0	Yes	SCREW PAN HEAD 4 MM 10 MM SPRING WASHER, ZINC PLATED, STEEL
43	46-170686P3 ²	0.0	Yes	LOCTITE 242, 50CC 12 MONTH SHELF LIFE FROM DATE OF SHIPMENT FROM THE MANUFACTURER.
1	2362591-2	1.0	No	HLA Console Chassis (For further detail, see Section 1.0, beginning on page 62.)
14	2366442-27	2.0	No	BRACKET, RACK MOUNT HOST COMPUTER
32	46-269337P6	1.0	No	LABEL OLD
33	2240540	1.0	No	NETSCAPE LICENSE
41	46-312358P51	14.0	No	M5 X 0.8 X 12MM METRIC FREEDRIV ZINC PLATED CROSS RECESSED PAN HEAD MACHINE SCREW

¹ Applies to 2378862-40 BOM

² Applies to 2378862-41 BOM

³ Applies to 2378862-42 BOM

⁴ Applies to 2378862-43 BOM

**Table 1-5 Assy, GOC4 - GRE with XW8200 and 1IG for 16 Slice MDAS and GDAS
(2378862-40 BOM, Rev 8; 2378862-41 rev 5, -42 rev 4, -43 Rev 5) (Continued)**

Section 3.0 — GOC4 Jarrell

GOC4 JARRELL

GOC4, 16-Slice MDAS and GDAS, 1 IG (2377708-530) (See [Section 3.1](#))

GOC4 JARRELL WITH XW8200

GOC4, 16-Slice MDAS and GDAS, 1 IG (2377708-540) (See [Section 3.2](#))

GOC4, 4- or 8-slice MDAS, 1 IG with Ethernet Switch (2377708-550, -551) (See [Section 3.3](#))

GOC4, 4-slice SDAS, 1 IG with Ethernet Switch (2377708-552) (See [Section 3.3](#))

GOC4, 4- and 8-slice GDAS, 1 IG with Ethernet Switch (2377708-553) (See [Section 3.3](#))

3.1 GOC4 Jarrell (2377708-530)

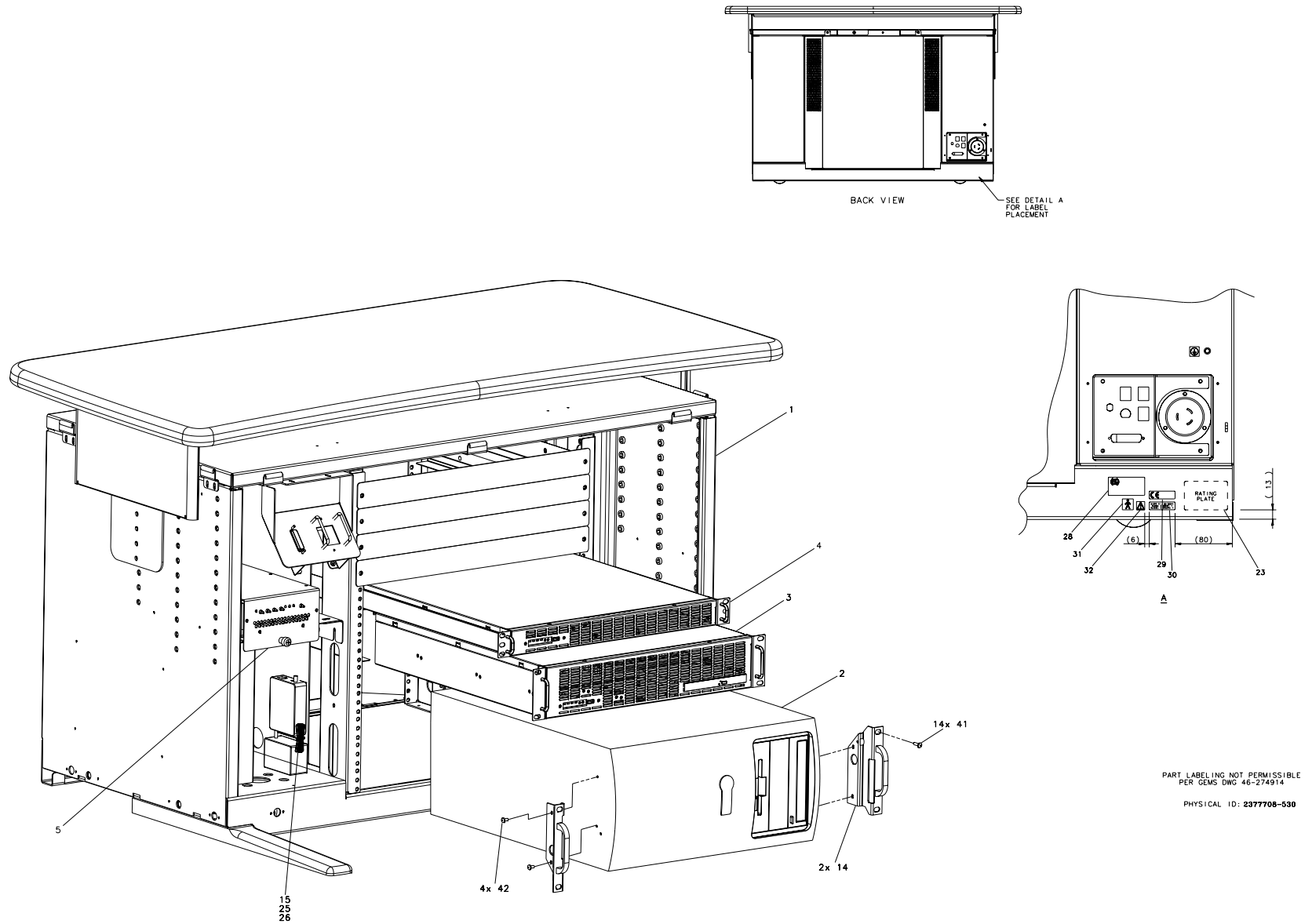


Figure 1-13 Console Chassis Assembly, Jarrell (2377708-530, sheet 1, rev 3)

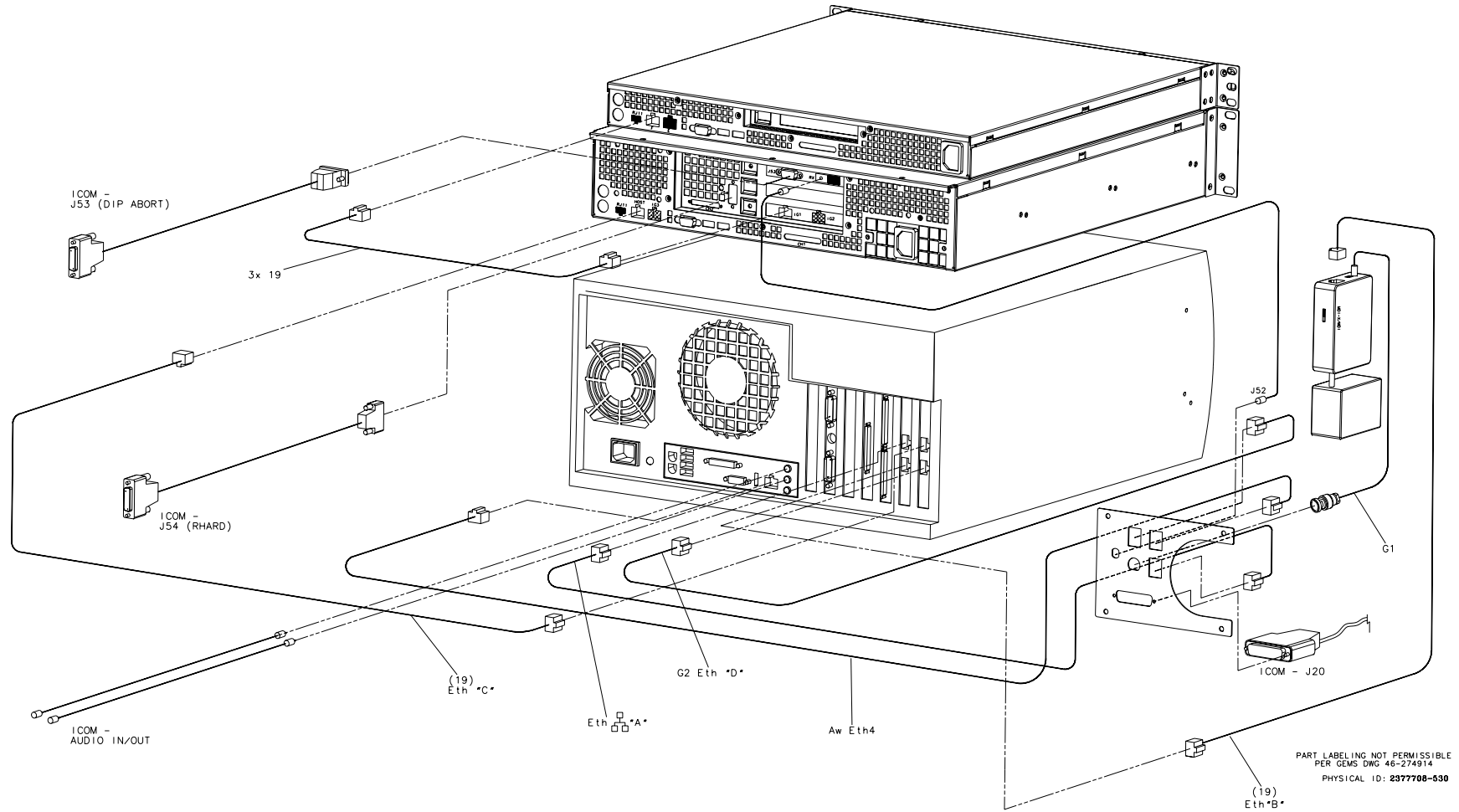


Figure 1-14 Console Chassis Assembly, Jarrell (2377708-530, sheet 2, rev 3)

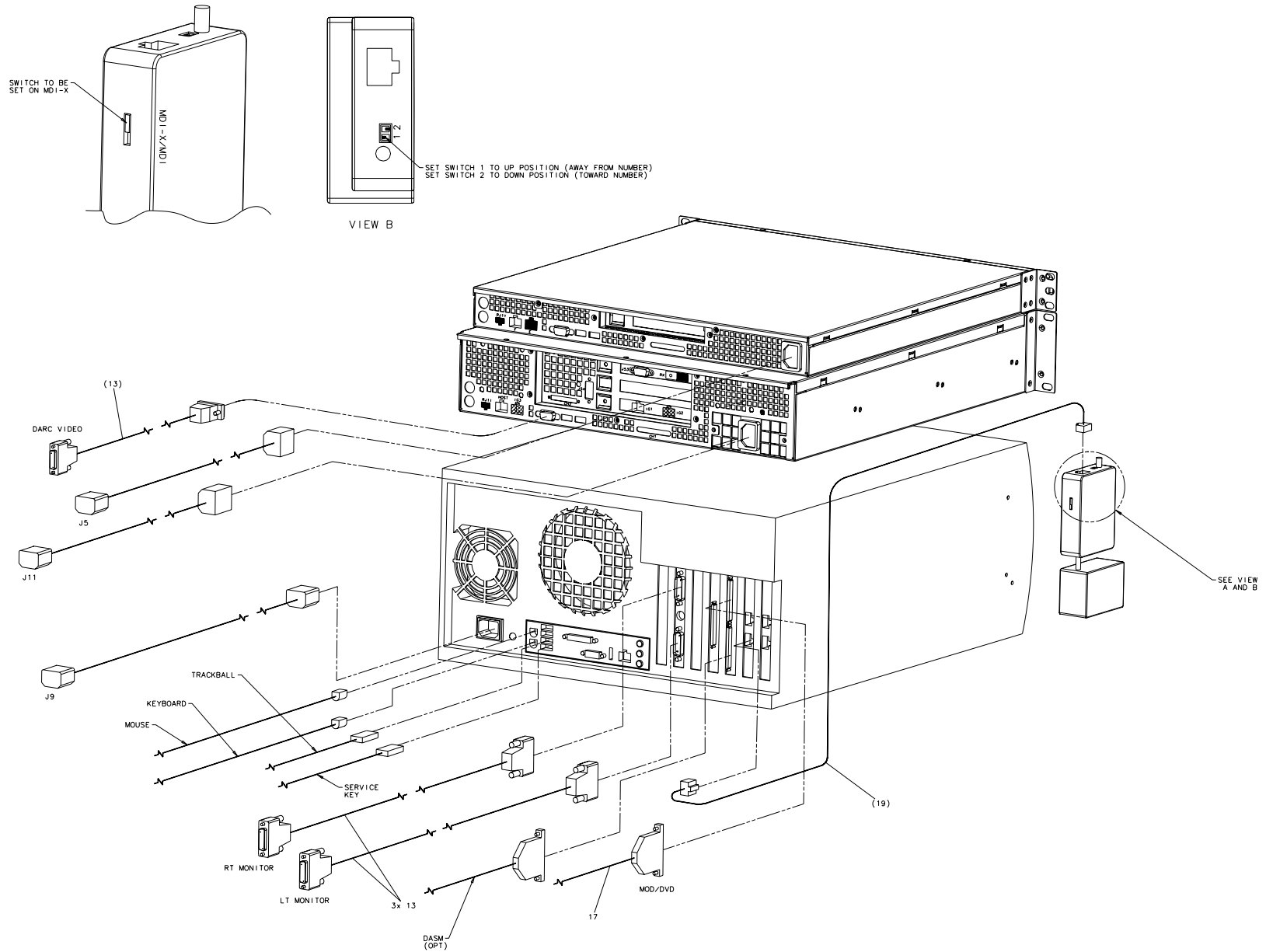
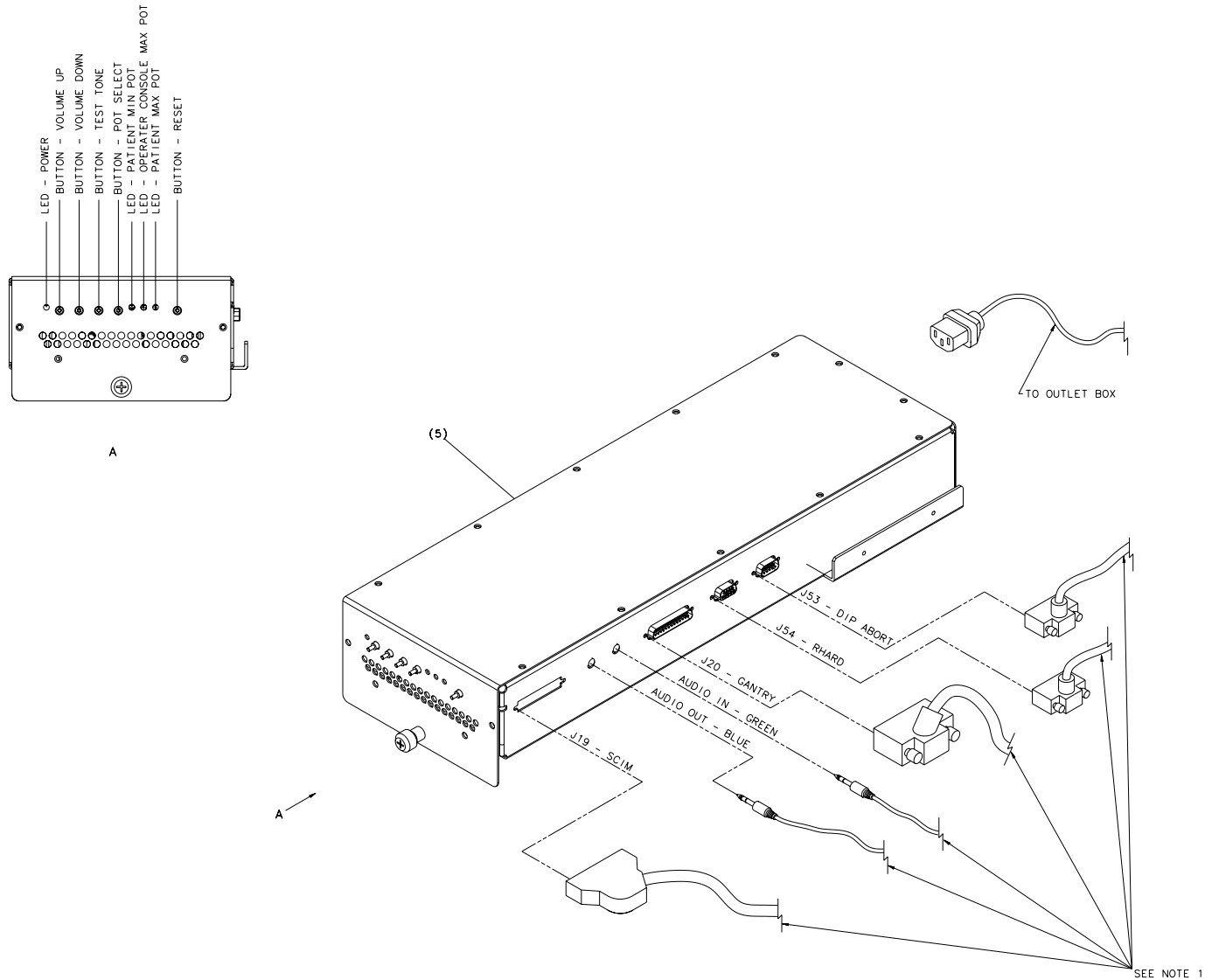


Figure 1-15 Console Chassis Assembly, Jarrell (2377708-530, sheet 3, rev 3)



NOTES:
 1. REFER TO 2362591-2ADW
 CONSOLE CHASSIS FOR CABLE
 IDENTIFICATION.

PART LABELING NOT PERMISSIBLE
 PER GEMS DWG 46-274914

PHYSICAL ID: 2377708-530

Figure 1-16 Console Chassis Assembly, Jarrell (2377708-530, sheet 4, rev 3)

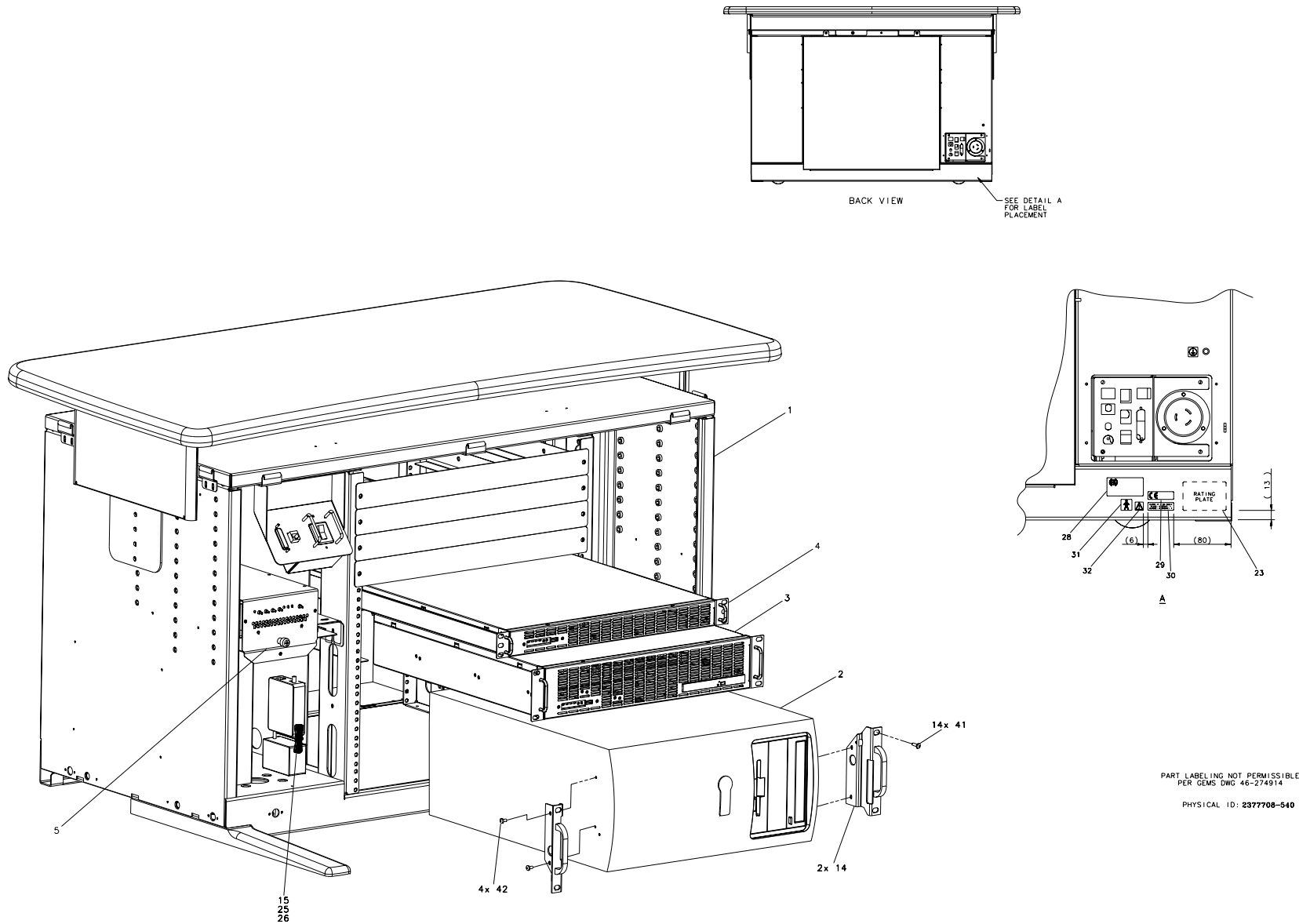
MARK	NAME	QTY	FRU	DESCRIPTION
2	2368697-3	1.0	Yes	GEMS CT-GRE USA
3	5147442	1.0	Yes	Computer - Data Acquisition Recon Control, 2nd Generation
4	5147443-2	1.0	Yes	Jarrell GRE IG with RAC rev.D or Higher
5	2404320	1.0	Yes	CONSOLE INTERCOM PRESCRIBED-TILT HUB (For further detail, see Section 3.0, beginning on page 74.)
6	5167410	1.0	Yes	Peripheral Tower, dual-bay, MOD, DVD-RAM (For further detail, see Section 5.0, beginning on page 77.)
8	2368697-2	2.0	Yes	LINUX DDR WORKSTATION 3BUTTON PS2 MOUSE
9	2399753-2	1.0	Yes	TRACKBALL, RoHS - 3 BTTN USB for GRE
11	5128181	1.0	Yes	Cover Assy - Console Front (For further detail, see Section 6.0, beginning on page 78.)
12	2337534	1.0	Yes	SIDE COVERS GOC (For further detail, see Section 7.0, beginning on page 79.)
13	2304737-2	3.0	Yes	CABLE, DVI VIDEO CABLE - OCTANE II
17	2324697-2	1.0	Yes	SCSI CABLE, VHD68 TO CENT 50, LINUX
19	5127222-2	3.0	Yes	Cable, Ethernet, 2ft Lg - CAT5e, 4 twisted pair, 24awg solid copper, Shielded - aluminized polyester and tinned copper, gray PVC jacket, snagless PVC boot, Plugs - UL94V-0 rated polycarbonate with metallic strain relief, EIA-TIA568, UL listed, CMR rated,
24	2335376	1.0	Yes	CABLE - PDU TO CONSOLE FOR GOC
25	46-136246P14	1.0	Yes	2~ WIDE, WHT, ADH BACK, VELCRO LOOP 25 YD
26	46-136246P21	1.0	Yes	2~ WIDE X 25 YD WHITE VELCRO HOOKS
27	46-208781P2	4.0	Yes	WRITE-ON LABEL FOR MARKING CABLES WHITE ADHESIVE BACKED 0.75~ X 1.90~. UNMARKED, 2,500 PC FAN-FOLD SHEETS (FULL SIZE = 1.9~ X 3.15~.)
29	2117390-2	1.0	Yes	CE Compliance and WEEE Labels
30	2132620	1.0	Yes	EMC LABEL CLASS A GROUP 1
31	46-279769P1	1.0	Yes	IEC TYPE B SYMBOL
34	46-269568P1	1.0	Yes	INFORMIX SOFTWARE-DATA BASE MANAGER (V5.0 RTU) SINGLE USER LICENSE INFORMIX SOFTWARE-DATA BASE MANAGER
35	2214164	1.0	Yes	5.25~ 2.3GB 512 BYTES/SECTOR MOD

Table 1-6 Assy, GRE Console, 1IG 16 Slice MDAS and GDAS for GOC4, Jarrell (2377708-530 BOM, Rev 5)

MARK	NAME	QTY	FRU	DESCRIPTION
36	2337414	2.0	Yes	DVD RAM MEDIA, 9.4 GB
37	2227726	1.0	Yes	MOUSE PAD FOR LIGHTSPEED
39	46-208758P3	6.0	Yes	7.31~ X .184~ SELF-LOCKING CABLE TIE 1/16~ TO 1-3/4~ WIRE BUNDLE RANGE. 50LB TENSILE STRENGTH, NYLON MATR~L.
42	2103585-2	4.0	Yes	SCREW PAN HEAD 4 MM 10 MM SPRING WASHER, ZINC PLATED, STEEL
	2368838	1.0	Yes	SCSI TOWER, DVD-RAM, MOD
	5147443	1.0	Yes	Computer - Image Generation, 2nd Generation
1	2362591-2	1.0	No	HLA Console Chassis (For further detail, see Section 1.0, beginning on page 62.)
14	2366442-27	2.0	No	BRACKET, RACK MOUNT HOST COMPUTER
15	2377227	1.0	Yes	UTP TRANSCEIVER - BNC TO RJ45 W/I.T.E PWR SPPLY #24000027
23	46-302200P1	1.0	No	RATING PLATE W/ SN, MN_ & RATINGS
28	2386393-2	1.0	No	LABEL, ETL COMPONENT APPROVAL, INFORMATION TECHNOLOGY EQUIPMENT
32	46-269337P6	1.0	No	LABEL OLD
33	2240540	1.0	No	NETSCAPE LICENSE
41	46-312358P51	14.0	No	M5 X 0.8 X 12MM METRIC FREEDRIV ZINC PLATED CROSS RECESSED PAN HEAD MACHINE SCREW
43	5194414-2	1.0	No	Cable Labels for GRE

Table 1-6 Assy, GRE Console, 1IG 16 Slice MDAS and GDAS for GOC4, Jarrell (2377708-530 BOM, Rev 5)(Continued)

3.2 GOC4 Jarrell with HP XW8200 (2377708-540)



PART LABELING NOT PERMISSIBLE
 PER GEMS DWG 46-274914
 PHYSICAL ID: 2377708-540

Figure 1-17 GOC4 Jarrell with HP XW8200 (2377708-540, sheet 1, rev 1)

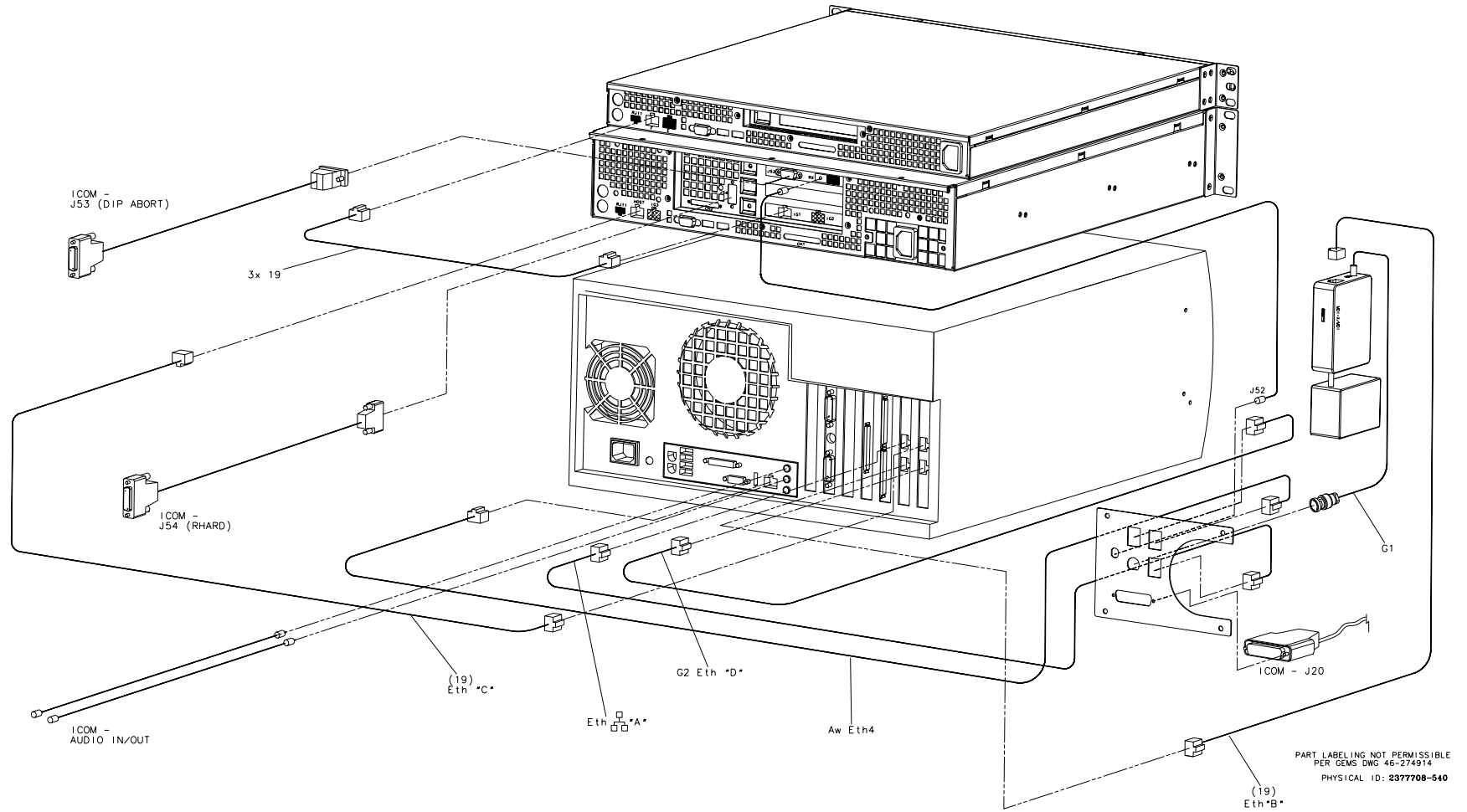


Figure 1-18 GOC4 Jarrell with HP XW8200 (2377708-540, sheet 2, rev 1)

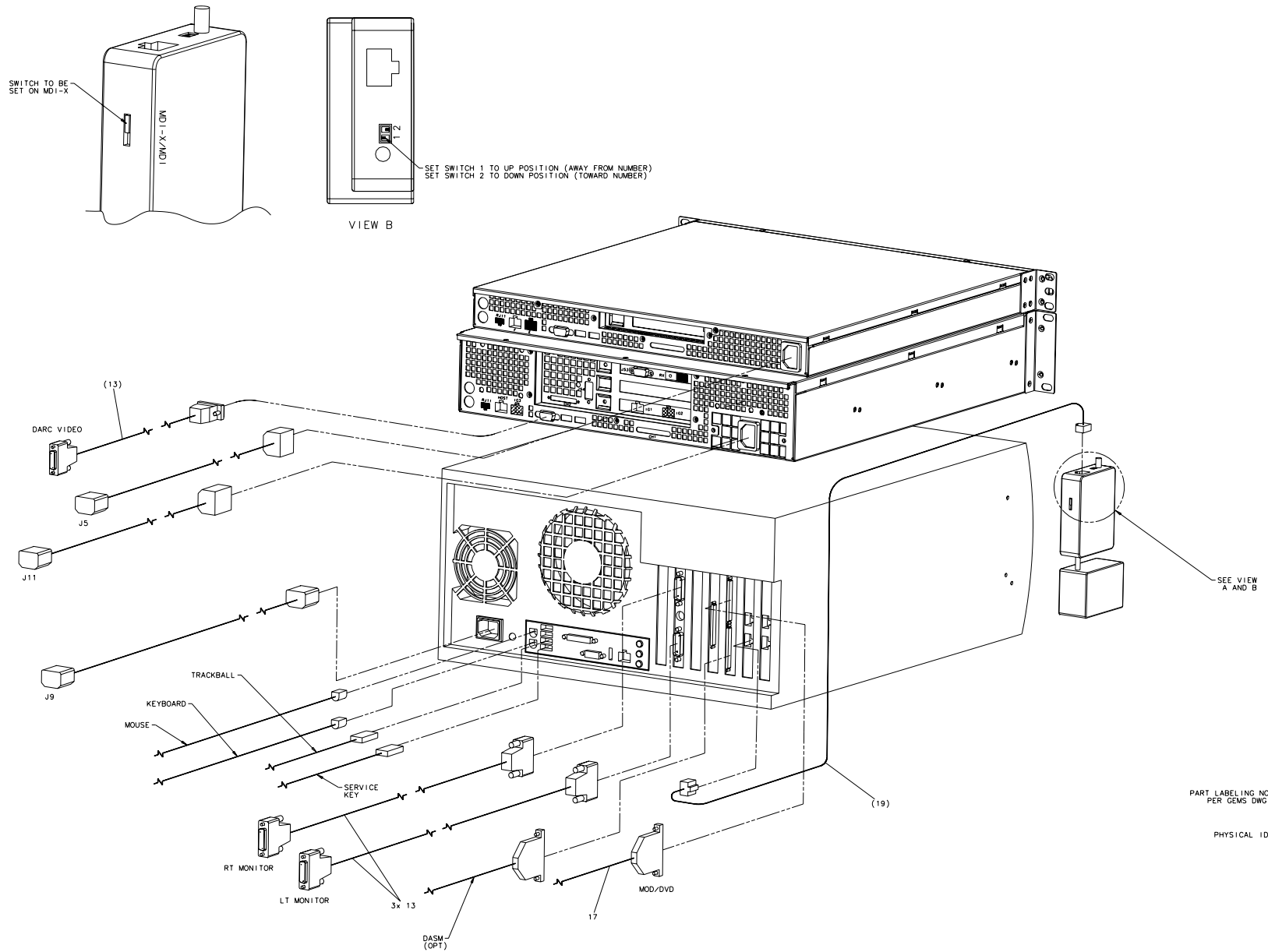
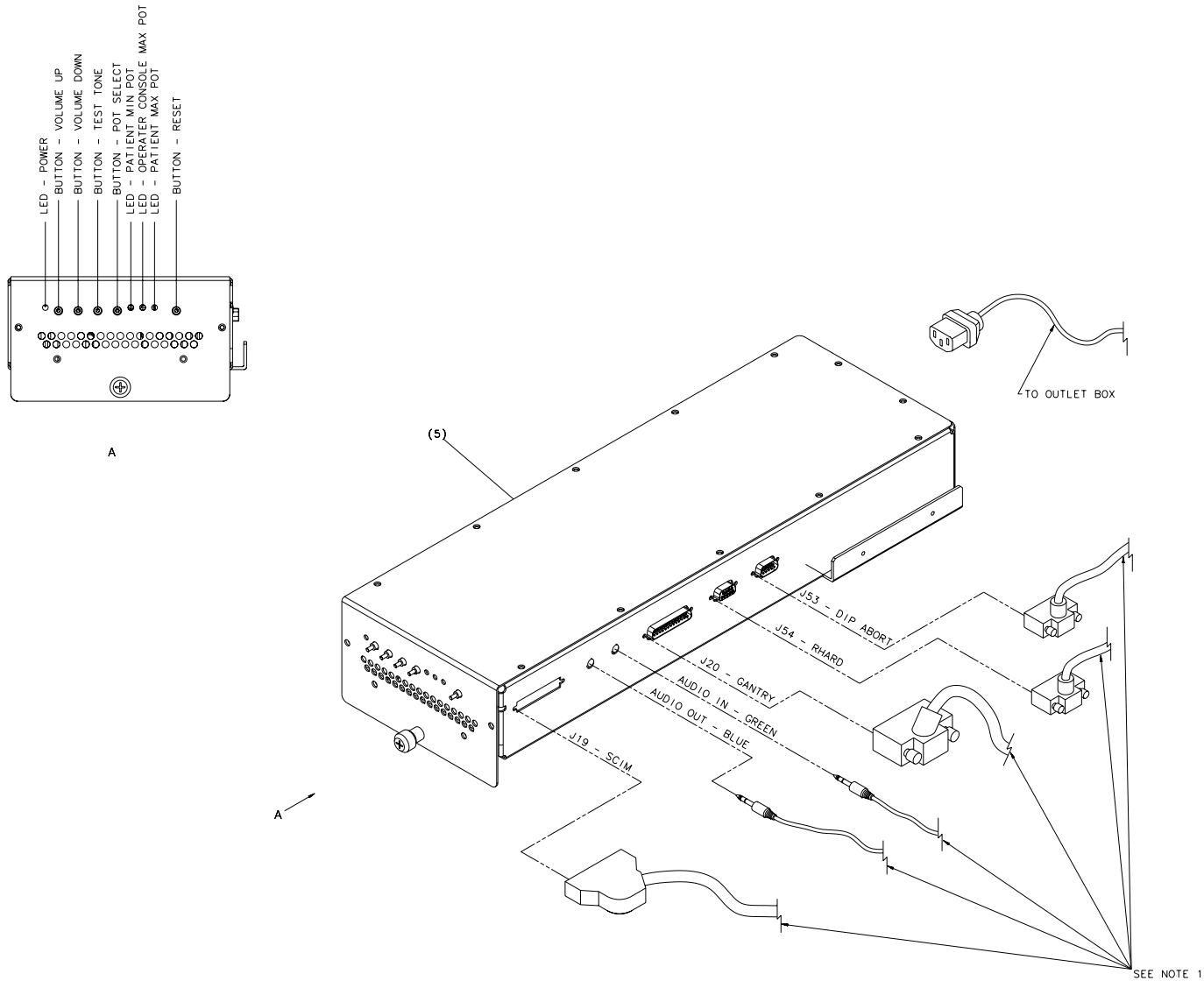


Figure 1-19 GOC4 Jarrell with HP XW8200 (2377708-540, sheet 3, rev 1)



NOTES:
 1. REFER TO 2362591-2ADW
 CONSOLE CHASSIS FOR CABLE
 IDENTIFICATION.
 PART LABELING NOT PERMISSIBLE
 PER GEMS DWG 46-274914
 PHYSICAL ID: 2377708-540

Figure 1-20 GOC4 Jarrell with HP XW8200 (2377708-540, sheet 4, rev 1)

MARK	NAME	QTY	FRU	DESCRIPTION
2	5117866-28	1.0	Yes	Host Computer, CTPET HP8200 with FX1400 Graphics Card and 4GB Memory
	5117866-51	1.0	Yes	Host Computer, CTPET HP8200 with FX1500 Graphics Card and 4GB Memory
3	5147442	1.0	Yes	Computer - Data Acquisition Recon Control, 2nd Generation
4	5147443-2	1.0	Yes	Jarrell GRE IG with RAC rev.D or Higher
5	2404320	1.0	Yes	CONSOLE INTERCOM PRESCRIBED-TILT HUB (For further detail, see Section 3.0, beginning on page 74.)
6	5167410	1.0	Yes	Peripheral Tower, dual-bay, MOD, DVD-RAM (For further detail, see Section 5.0, beginning on page 77.)
8	2368697-2	2.0	Yes	LINUX DDR WORKSTATION 3BUTTON PS2 MOUSE
9	2399753-2	1.0	Yes	TRACKBALL, RoHS - 3 BTTN USB for GRE
11	5128181	1.0	Yes	Cover Assy - Console Front (For further detail, see Section 6.0, beginning on page 78.)
12	2337534	1.0	Yes	SIDE COVERS GOC (For further detail, see Section 7.0, beginning on page 79.)
13	2304737-2	3.0	Yes	CABLE, DVI VIDEO CABLE - OCTANE II
15	2377227	1.0	Yes	UTP TRANSCEIVER - BNC TO RJ45 W/I.T.E PWR SPPLY #24000027
17	2324697-2	1.0	Yes	SCSI CABLE, VHD68 TO CENT 50, LINUX
19	5127222-2	3.0	Yes	Cable, Ethernet, 2ft Lg - CAT5e, 4 twisted pair, 24awg solid copper, Shielded - aluminized polyester and tinned copper, gray PVC jacket, snagless PVC boot, Plugs - UL94V-0 rated polycarbonate with metallic strain relief, EIA-TIA568, UL listed, CMR rated,
24	2335376	1.0	Yes	CABLE - PDU TO CONSOLE FOR GOC
25	46-136246P14	1.0	Yes	2~ WIDE, WHT, ADH BACK, VELCRO LOOP 25 YD
26	46-136246P21	1.0	Yes	2~ WIDE X 25 YD WHITE VELCRO HOOKS
27	46-208781P2	4.0	Yes	WRITE-ON LABEL FOR MARKING CABLES WHITE ADHESIVE BACKED 0.75~ X 1.90~. UNMARKED, 2,500 PC FAN-FOLD SHEETS (FULL SIZE = 1.9~ X 3.15~.)
29	2117390-2	1.0	Yes	CE Compliance and WEEE Labels
30	2132620	1.0	Yes	EMC LABEL CLASS A GROUP 1
31	46-279769P1	1.0	Yes	IEC TYPE B SYMBOL
35	2214164	1.0	Yes	5.25~ 2.3GB 512 BYTES/SECTOR MOD

Table 1-7 Assy, GRE Console, 16 Slice MDAS and GDAS for GOC4 with XW8200 and 1IG, Jarrell (2377708-540 BOM, Rev 6)

MARK	NAME	QTY	FRU	DESCRIPTION
36	2337414	2.0	Yes	DVD RAM MEDIA, 9.4 GB
37	2227726	1.0	Yes	MOUSE PAD FOR LIGHTSPEED
39	46-208758P3	6.0	Yes	7.31~ X .184~ SELF-LOCKING CABLE TIE 1/16~ TO 1-3/4~ WIRE BUNDLE RANGE. 50LB TENSILE STRENGTH, NYLON MATR~L.
42	2103585-2	4.0	Yes	SCREW PAN HEAD 4 MM 10 MM SPRING WASHER, ZINC PLATED, STEEL
	2368838	1.0	Yes	SCSI TOWER, DVD-RAM, MOD
	5147443	1.0	Yes	Computer - Image Generation, 2nd Generation
1	2362591-2	1.0	No	HLA Console Chassis (For further detail, see Section 1.0, beginning on page 62)
14	2366442-27	2.0	No	BRACKET, RACK MOUNT HOST COMPUTER
23	46-302200P1	1.0	No	RATING PLATE W/ SN, MN_ & RATINGS
28	2386393-2	1.0	No	LABEL, ETL COMPONENT APPROVAL, INFORMATION TECHNOLOGY EQUIPMENT
32	46-269337P6	1.0	No	LABEL OLD
33	2240540	1.0	No	NETSCAPE LICENSE
41	46-312358P51	14.0	No	M5 X 0.8 X 12MM METRIC FREEDRIV ZINC PLATED CROSS RECESSED PAN HEAD MACHINE SCREW
43	5194414-2	1.0	No	Cable Labels for GRE

Table 1-7 Assy, GRE Console, 16 Slice MDAS and GDAS for GOC4 with XW8200 and 1IG, Jarrell (2377708-540 BOM, Rev 6) (Continued)

Note: 5117866-51 requires software release 07MW11.10 or newer.

3.3 GOC4 Jarrell with XW8200 and Ethernet Switch (2377708-550, -551, -552, -553)

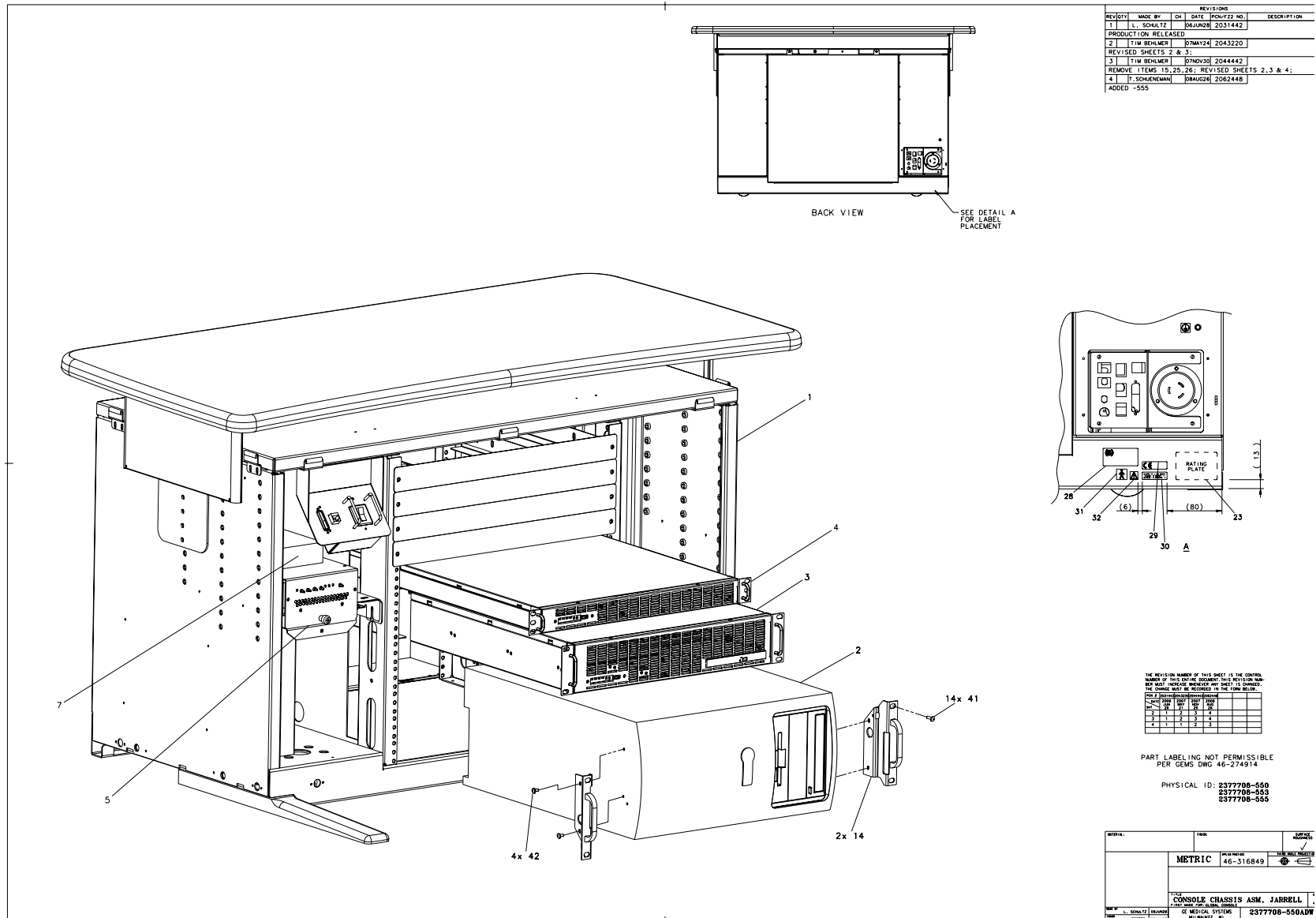


Figure 1-21 GOC4 Jarrell with XW8200 and Ethernet Switch (2377708-550, sheet 1, rev 4)

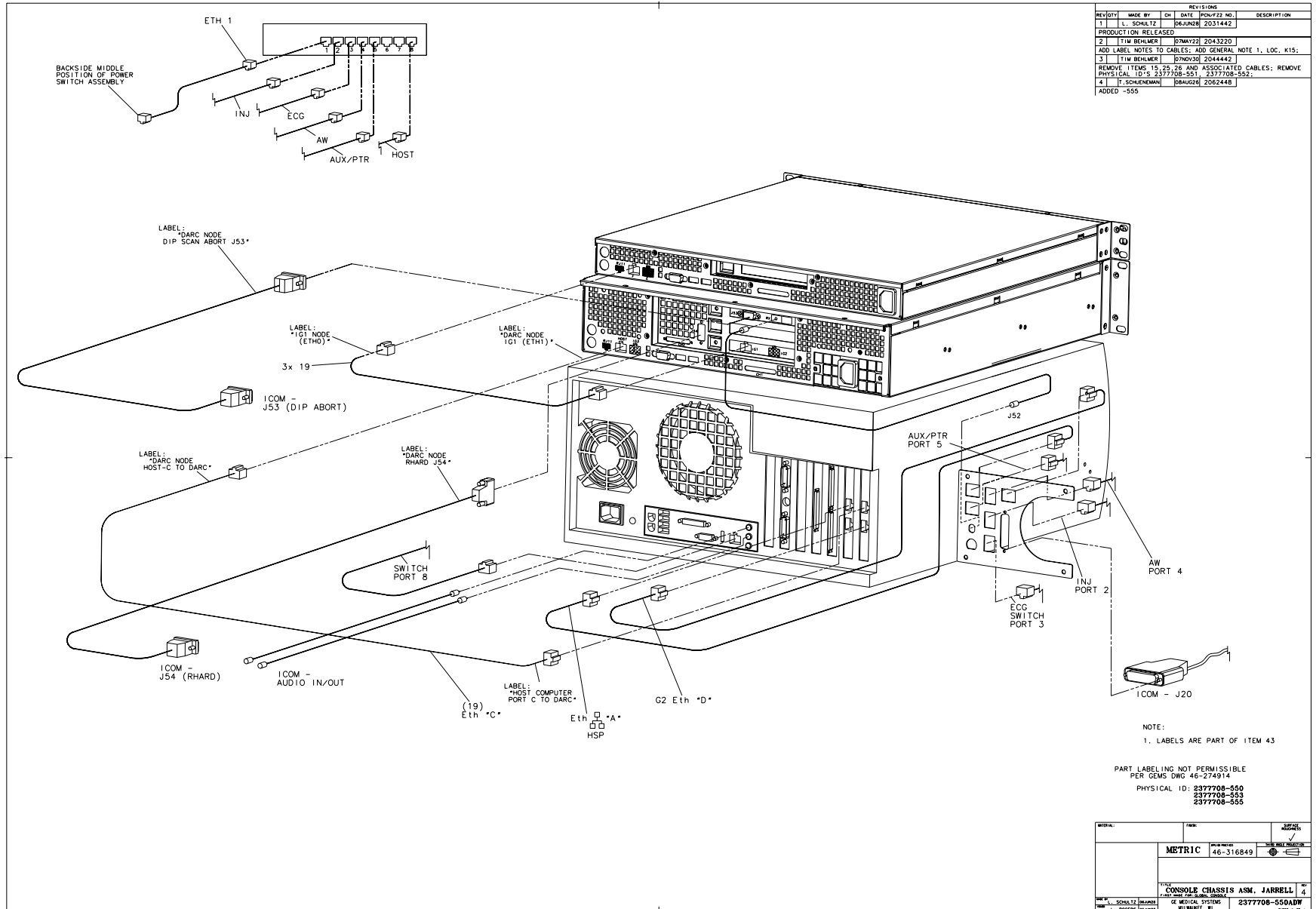
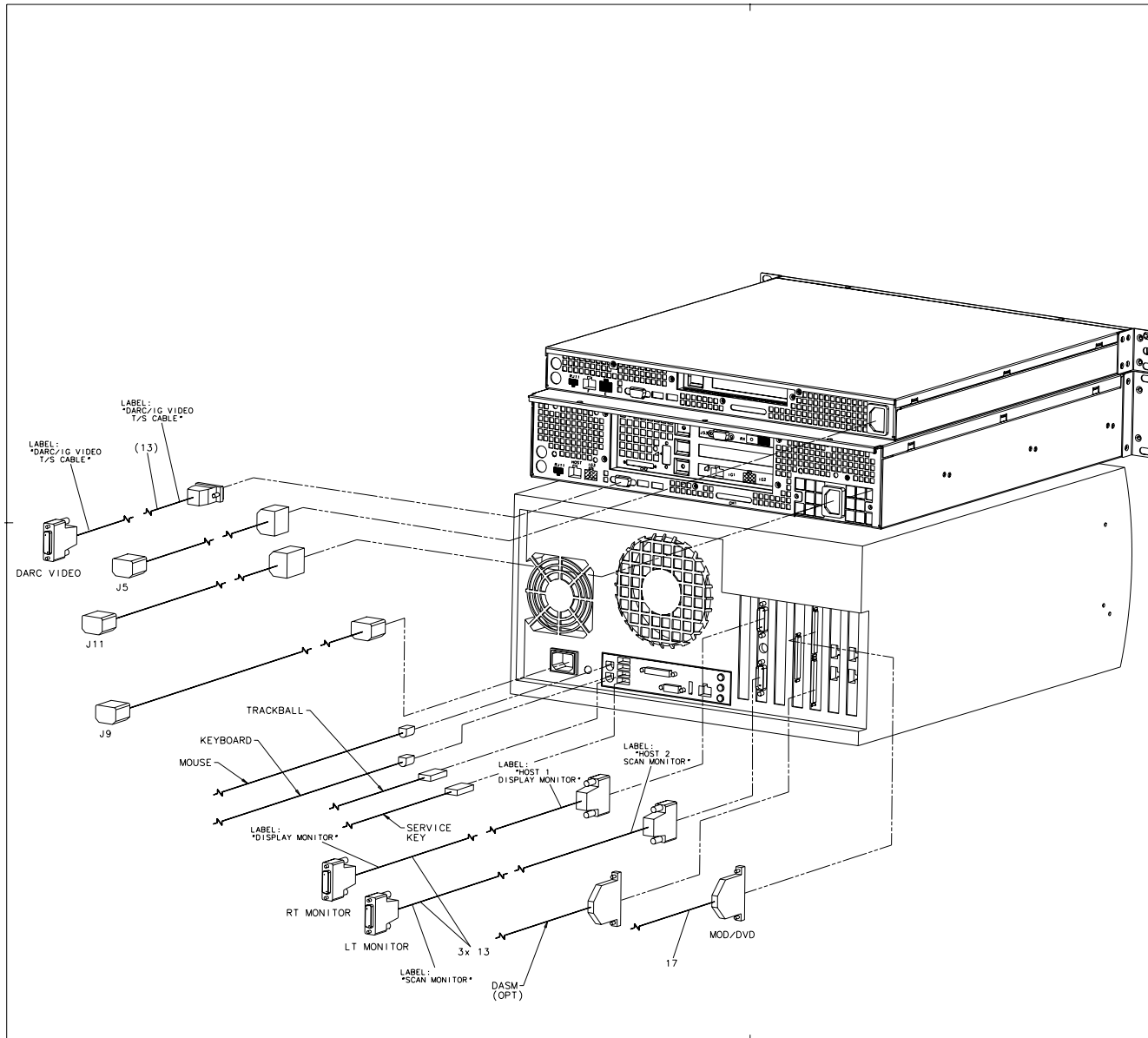


Figure 1-22 GOC4 Jarrell with XW8200 and Ethernet Switch (2377708-550, sheet 2, rev 4)

REVISIONS					
REV/DTY	MADE BY	CH	DATE	PNW/F22 NO.	DESCRIPTION
1	L. SCHULTZ		06/JUN/02	2031442	PRODUCTION RELEASED
2					
2	TIM BEHNER		07/MAY/22	2043220	ADD LABEL NOTES TO CABLES; ADD GENERAL NOTE 1, LOC. J13;
3					
3	TIM BEHNER		07/MAY/22	2044442	REMOVE ITEMS 15, 25, 26; AND VIEWS A & B. REMOVE PHYSICAL ID'S 2377708-551 AND 2377708-552.
4					
4	T. SCHNEEMANN		08/AUG/20	2062448	ADDED -555



NOTE:
 1. LABELS ARE PART OF ITEM 43.

PART LABELING NOT PERMISSIBLE
 PER GEMS DWG 46-274914

PHYSICAL ID: 2377708-550
 2377708-553
 2377708-555

METRIC 46-316849	GE HEALTHCARE GE MEDICAL SYSTEMS WILMINGTON, RI	2377708-550ADW sheet 3 of 4
---------------------	---	--------------------------------

Figure 1-23 GOC4 Jarrell with XW8200 and Ethernet Switch (2377708-550, sheet 3, rev 4)

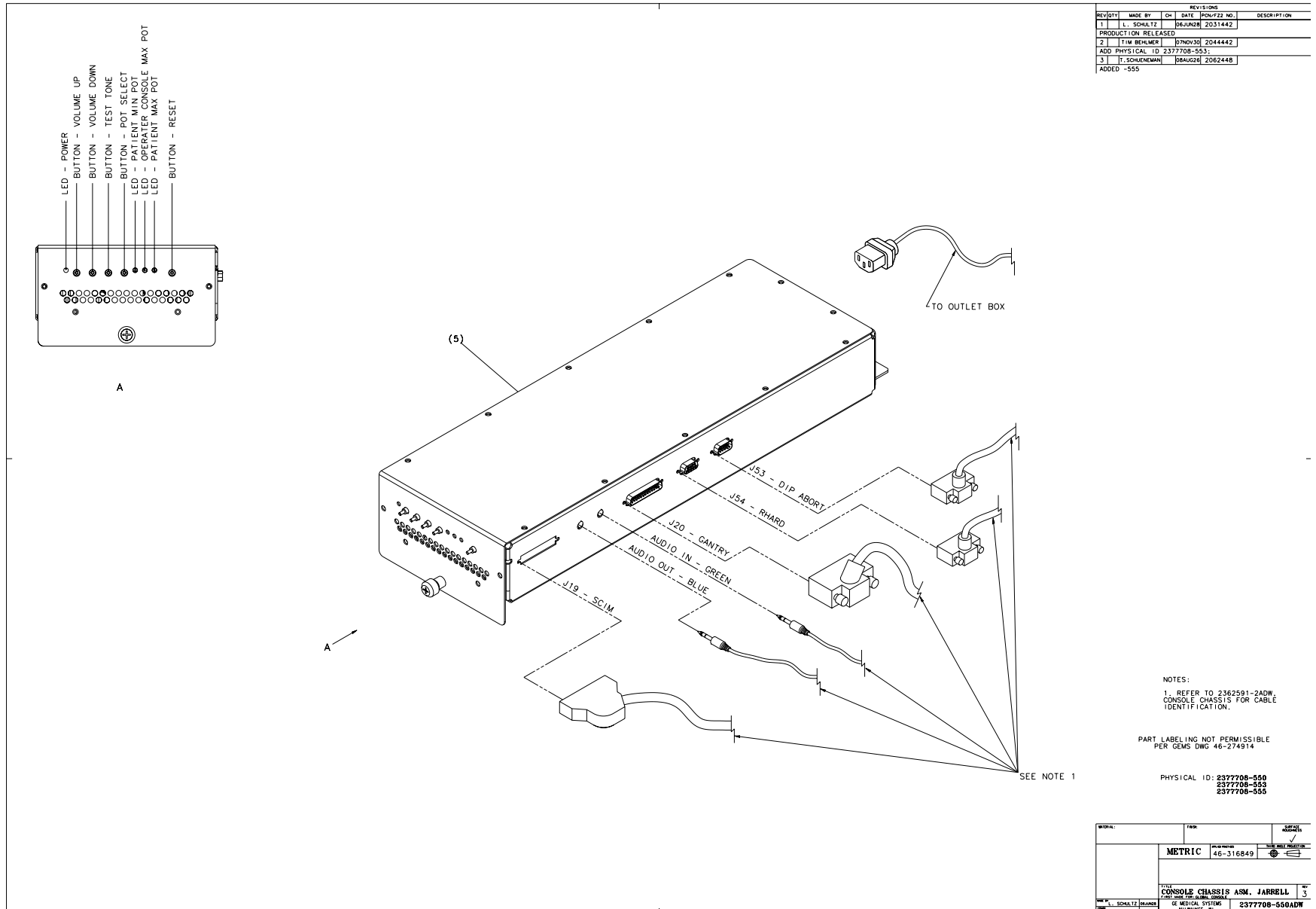


Figure 1-24 GOC4 Jarrell with XW8200 and Ethernet Switch (2377708-550, sheet 4, rev 4)

MARK	NUMBER	QTY	FRU	DESCRIPTION/NAME
2	5117866-28 ^{1, 2} 5183547-38 ³ 5117866-24 ⁴	1	Yes	Host Computer, CTPET HP8200 with FX1400 Graphics Card and 4GB Memory GEHC MI and CT Integrated Bi-level PC Workstation; HP8400 with 4 GB Memory Host Computer, CTPET HP8200 with FX1400 Graphics Card and 2 GB Memory
3	5147442 ^{1, 4} 5147442-2 ² 5147442-3 ³	1	Yes	Computer - Data Acquisition Recon Control, 2nd Generation Computer - Data Acquisition Recon Control, 2nd Generation Data Acquisition and Recon Control Computer with SDAS for Jarrell
4	5147443-2	1	Yes	Jarrell GRE IG with RAC rev.D or Higher
5	2404320 2404320-2 ³	1	Yes	CONSOLE INTERCOM PRESCRIBED-TILT HUB <i>For further detail, see Section 3.0, beginning on page 74.</i>
6	5167410	1	Yes	Peripheral Tower, dual-bay, MOD, DVD-RAM <i>(For further detail, see Section 5.0, beginning on page 77.)</i>
7	5270193	1	Yes	Ethernet Switch with power supply and power cord.
8	2368697-2	2	Yes	LINUX DDR WORKSTATION 3BUTTON PS2 MOUSE
9	2399753-2	1	Yes	TRACKBALL, RoHS - 3 BTTN USB for GRE
11	5128181	1	Yes	Cover Assy - Console Front <i>For further detail, see Section 6.0, beginning on page 78.</i>
12	2337534	1	Yes	SIDE COVERS GO.C <i>(For further detail, see Section 7.0, beginning on page 79.)</i>
13	2304737-2	3	Yes	CABLE, DVI VIDEO CABLE - OCTANE II
15	2377227-2 ³	1	Yes	UTP TRANSCEIVER - BNC TO RJ45 Assembly
17	2324697-2	1	Yes	SCSI CABLE, VHD68 TO CENT 50, LINUX
19	5127222-2	2	Yes	Cable, Ethernet, 2ft Lg - CAT5e, 4 twisted pair, 24awg solid copper, Shielded - aluminized polyester and tinned copper, gray PVC jacket, snagless PVC boot, Plugs - UL94V-0 rated polycarbonate with metallic strain relief, EIA-TIA568, UL listed, CMR rated,
20	2377229 ^{2, 3}	1	Yes	CABLE - COAX X 610 LG
24	2335376 ^{2, 3}	1	Yes	CABLE - PDU TO CONSOLE FOR GOC

Table 1-8 Assy, GRE Console, 4 or 8 slice MDAS for GOC4 with XW8200, 1IG, and Eth Switch, Jarrell
(2377708-550 BOM Rev 11, -551 Rev 12, - 552 Rev 11, -553 Rev 10)

MARK	NUMBER	QTY	FRU	DESCRIPTION/NAME
25	46-136246P14	1	Yes	2~ WIDE, WHT, ADH BACK, VELCRO LOOP 25 YD
26	46-136246P21	1	Yes	2~ WIDE X 25 YD WHITE VELCRO HOOKS
29	2117390-2	1	Yes	CE Compliance and WEEE Labels
30	2132620	1	Yes	EMC LABEL CLASS A GROUP 1
31	46-279769P1	1	Yes	IEC TYPE B SYMBOL
35	2214164	1	Yes	5.25~ 2.3GB 512 BYTES/SECTOR MOD
36	2337414	2	Yes	DVD RAM MEDIA, 9.4 GB
37	2227726	1	Yes	MOUSE PAD FOR LIGHTSPEED
39	46-208758P3	6	Yes	7.31~ X .184~ SELF-LOCKING CABLE TIE 1/16~ TO 1-3/4~ WIRE BUNDLE RANGE. 50LB TENSILE STRENGTH, NYLON MATR~L.
42	2103585-2	4	Yes	SCREW PAN HEAD 4 MM 10 MM SPRING WASHER, ZINC PLATED, STEEL
44	46-107686P3 ²	0	Yes	LOCTITE 242, 50CC 12 MONTH SHELF LIFE FROM DATE OF SHIPMENT FROM THE MANUFACTURER.
	2335376 ^{1, 4}	1	Yes	CABLE - PDU TO CONSOLE FOR GOC
	2368838	1	Yes	SCSI TOWER, DVD-RAM, MOD
	2377227	1	Yes	UTP TRANSCEIVER - BNC TO RJ45 W/I.T.E PWR SPPLY #24000027
	2377227-2 ^{1, 4}	1	Yes	UTP TRANSCEIVER - BNC TO RJ45 Assembly
	5117866-51 ^{1, 2} 5117866-24 ³ 5117866-48 ^{3, 4}	1	Yes	Host Computer, CTPET HP8200 with FX1500 Graphics Card and 4GB Memory
	5147443	1	Yes	Computer - Image Generation, 2nd Generation
1	2362591-5	1	No	GOC4 Console Chassis High Level Assembly <i>For further detail, see Section 2.0, beginning on page 68</i>
14	2366442-27	2	No	BRACKET, RACK MOUNT HOST COMPUTER
23	46-302200P1	1	No	RATING PLATE W/ SN, MN_ & RATINGS
28	2386393-2	1	No	LABEL, ETL COMPONENT APPROVAL, INFORMATION TECHNOLOGY EQUIPMENT
32	46-269337P6	1	No	LABEL OLD

Table 1-8 Assy, GRE Console, 4 or 8 slice MDAS for GOC4 with XW8200, 1IG, and Eth Switch, Jarrell (2377708-550 BOM Rev 11, -551 Rev 12, - 552 Rev 11, -553 Rev 10) (Continued)

MARK	NUMBER	QTY	FRU	DESCRIPTION/NAME
33	2240540	1	No	NETSCAPE LICENSE
41	46-312358P51	14	No	M5 X 0.8 X 12MM METRIC FREEDRIV ZINC PLATED CROSS RECESSED PAN HEAD MACHINE SCREW
43	5194414-2	1	No	Cable Labels for GRE

¹ Applies to 2377708-550 BOM

² Applies to 2377708-551 BOM

³ Applies to 2377708-553 BOM

⁴ Applies to 2377708-553 BOM

Note: 5117866-51 and 5117866-48 require software release 07MW11.10 or newer.

Table 1-8 Assy, GRE Console, 4 or 8 slice MDAS for GOC4 with XW8200, 1IG, and Eth Switch, Jarrell (2377708-550 BOM Rev 11, -551 Rev 12, - 552 Rev 11, -553 Rev 10) (Continued)

Chapter 2

Related Console Assemblies

- *HLA Console Chassis (2362591-2) (See [Section 1.0](#))*
- *HLA Console Chassis (2362591-5) (See [Section 2.0](#))*
- *Console Intercom Prescribed-Tilt Hub (2404320, 2404320-2) (See [Section 3.0](#))*
- *Peripheral Tower, Dual-bay, MOD, DVD-RAM (5167410) (See [Section 5.0](#))*
- *SCSI Tower, DVD-RAM, MOD (2368838) (See [Section 4.0](#))*
- *Cover Assembly - Console Front (5128181) (See [Section 6.0](#))*
- *Side Covers GOC (2337534) (See [Section 7.0](#))*
- *Assembly - Outlet Box (GRE) (2174159-3) (See [Section 8.0](#))*
- *Assembly - Outlet Box (GOC4) (2174159-5) (See [Section 9.0](#))*
- *SubAssembly, GRE Console Rear Bulkhead (5160898) (See [Section 10.0](#))*

Section 1.0 — HLA Console Chassis (2362591-2)

FRU = NO

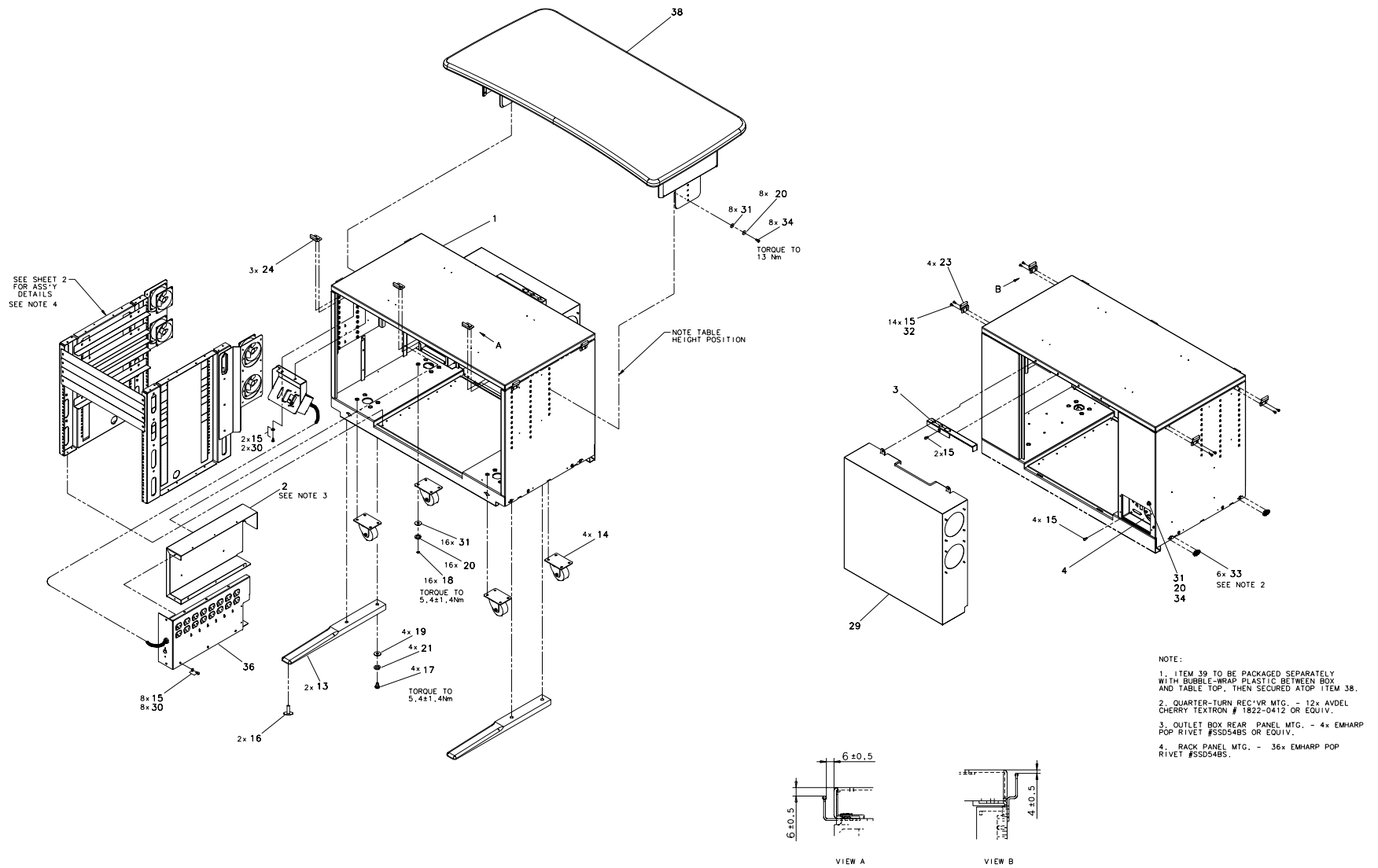


Figure 2-1 HLA Console Chassis (2362591-2, sheet 1, rev 3)

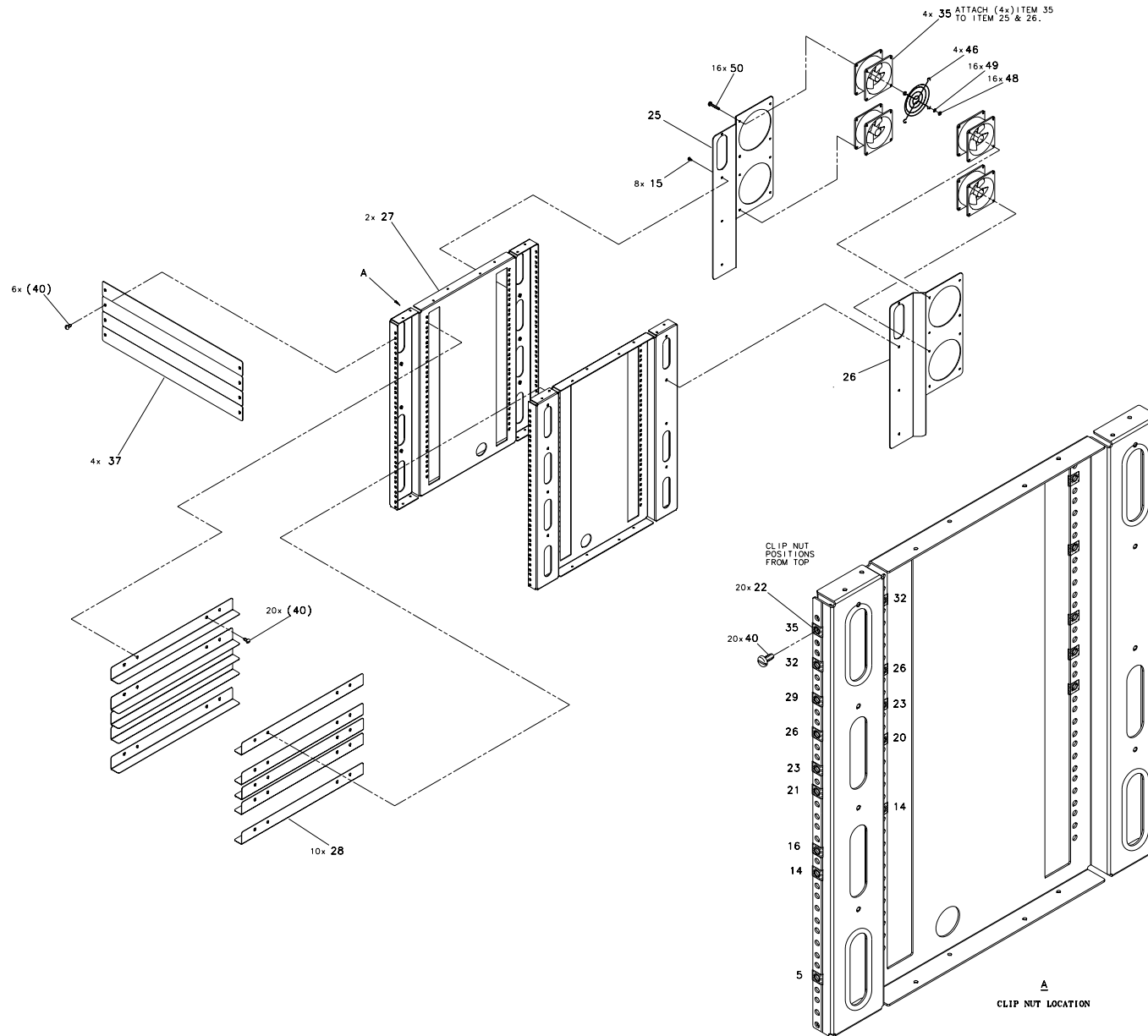


Figure 2-2 HLA Console Chassis (2362591-2, sheet 2, rev 3)

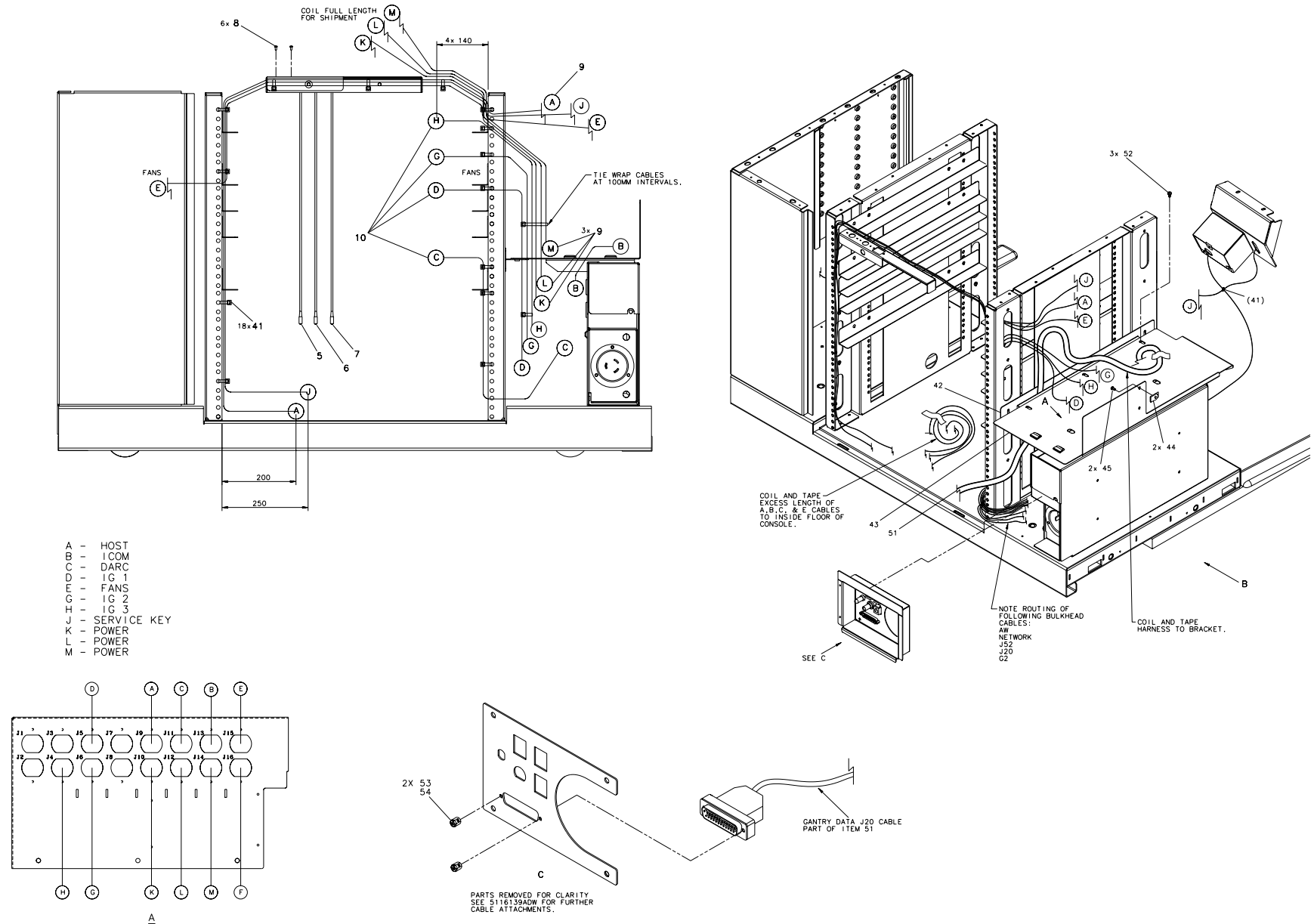


Figure 2-3 HLA Console Chassis (2362591-2, sheet 3, rev 3)

MARK	NUMBER	QTY	FRU	DESCRIPTION/NAME
4	5116139	1	Yes	CABLE BULKHEAD ASSY
5	2315117	1	Yes	CABLE, PS/2 MOUSE CABLE, LINUX
6	2315117-2	1	Yes	CABLE, PS/2 KEYBOARD CABLE, LINUX
7	5123478	1	Yes	Cable, USB Bulkhead, USB-Af to USB-Am x 3ft Lg
8	46-328421P3	6	Yes	SCREW PAN HEAD 2.5 MM 5 MM ZINC PLATED, STEEL
9	2142225	4	Yes	MONITOR POWER CORD
10	2142226	5	Yes	POWER CORD FOR EMC AREA
13	2318681	2	Yes	ANTI-TIP LEG, CONSOLE CHASSIS
14	2319043	4	Yes	CASTER, 2 1/2~ SWIVEL
15	2103585	38	Yes	SCREW PAN HEAD 4 MM 8 MM SPRING WASHER, ZINC PLATED, STEEL
18	2109877-2	16	Yes	NUT HEXAGON 6 MM
19	2109878-4	4	Yes	WASHER FLAT ISO7089 M10 A2
20	2109881-3	25	Yes	WASHER LOCK - INTERNAL 6.4 MM 11 MM
22	2180698-2	38	Yes	CLIP NUT ASSEMBLY, M5
25	5123484	1	Yes	Bracket, Exhaust Fan Mtg - Left
26	5123484-2	1	Yes	Bracket, Exhaust Fan Mtg - Right
29	5123485	1	Yes	Rear Access Cover - VCT
30	46-328431P1	10	Yes	WASHER PLAIN - LARGE 4.3 MM 12 MM ZINC PLATED, STEEL
31	46-328431P2	25	Yes	WASHER PLAIN - LARGE 6.4 MM 18 MM ZINC PLATED, STEEL
32	46-170686P3	0	Yes	LOCTITE 242, 50CC 12 MONTH SHELF LIFE FROM DATE OF SHIPMENT FROM THE MANUFACTURER.
35	5124071	4	Yes	Fan, Tube Axial - 115VAC, 50-60Hz, 119mm x 119mm x 25mm x 95-115cfm, ball bearing motor - Sinwan S125AP-11-1
36	2174159-3	1	Yes	ASSY - OUTLET BOX (GRE) (For further detail, see Section 8.0, beginning on page 80.)
38	2315657	1	Yes	TABLE TOP ASSEMBLY, MONITOR, GOC
39	2330566	1	Yes	TABLE TOP ASSEMBLY, KEYBOARD, GOC

Table 2-1 HLA Console Chassis (2362591-2 BOM, Rev 6)

MARK	NUMBER	QTY	FRU	DESCRIPTION/NAME
41	46-208758P3	19	Yes	7.31~ X .184~ SELF-LOCKING CABLE TIE 1/16~ TO 1-3/4~ WIRE BUNDLE RANGE. 50LB TENSILE STRENGTH, NYLON MATR~L.
45	46-328417P5	2	Yes	SCREW HEXAGON SOCKET 4 MM 16 MM ZINC PLATED, STEEL
46	46-272301P11	4	Yes	FAN ACCESSORIES FINGER GUARD PAPST LZ30
47	5127629	1	Yes	Cable Assy - Exhaust Fan Power
48	2381089-3	16	Yes	SCREW, SS NYLOCK HEX NUT, M4
49	46-328430P2	16	Yes	WASHER PLAIN - NORMAL 4.3 MM 9 MM ZINC PLATED, STEEL
50	46-312358P44	16	Yes	M4 X 0.7 X 35MM METRIC FREEDRIV ZINC PLATED CROSS RECESSED PAN HEAD MACHINE SCREW
51	5128406	1	Yes	Assy, ICOM cable harness for GOC4
52	2103585	3	Yes	SCREW PAN HEAD 4 MM 8 MM SPRING WASHER, ZINC PLATED, STEEL
53	46-221417P4	2	Yes	FEMALE SCREWLOCKS FOR HD CONNECTORS. 4-40 THREAD, 0.470 OVERALL LENGTH YELLOW CHROMATE, TWO PER KIT. 0.312 BOTTOM, 0.094 PANEL THK. MAX KIT INCLUDES NUTS AND WASHERS See drawing for approved vendor
54	46-170686P3	0	Yes	LOCTITE 242, 50CC 12 MONTH SHELF LIFE FROM DATE OF SHIPMENT FROM THE MANUFACTURER.
	5323650	1	Yes	Console Monitor Table Top FRU
	5327046	1	Yes	Console Keyboard Table Top FRU
1	2366442	1	No	CONSOLE CHASSIS SUB-ASSY, GRE
2	2366442-11	1	No	REAR MTG PANEL, OUTLET BOX
3	5123480	1	No	Bracket, Cable Cover - Dual PS2f, Single USB-Af
16	2325236	2	No	LEVELER, CONSOLE ANTI-TIP LEGS
17	2109867-25	4	No	SCREW HEXAGON SOCKET
21	2109881-4	4	No	WASHER LOCK - INTERNAL 10.5 MM 18 MM
23	2366442-12	4	No	BRACKET, SIDE COVER MTG
24	2366442-13	3	No	BRACKET, FRONT COVER MTG
27	2366442-6	2	No	PANEL, RACK MOUNT
28	2366442-7	10	No	BRACKET, RACK MOUNT
33	2376906	6	No	SOUTHCO 1/4 TURN RCVR 85-35-295-20

Table 2-1 HLA Console Chassis (2362591-2 BOM, Rev 6) (Continued)

MARK	NUMBER	QTY	FRU	DESCRIPTION/NAME
34	2337083-2	9	No	SCREW, M6 X 20 SOC HEAD, 12.9 CLASS
37	2366442-31	4	No	PANEL - COVER
40	46-312358P51	38	No	M5 X 0.8 X 12MM METRIC FREEDRIV ZINC PLATED CROSS RECESSED PAN HEAD MACHINE SCREW
42	5114923-2	1	No	Bracket, ICOM Lower
43	5114924-2	1	No	Bracket, ICOM Upper
44	5122710	2	No	M4 Tapped Hole Speed Nut

Table 2-1 HLA Console Chassis (2362591-2 BOM, Rev 6) (Continued)

Section 2.0 — HLA Console Chassis (2362591-5)

FRU = NO

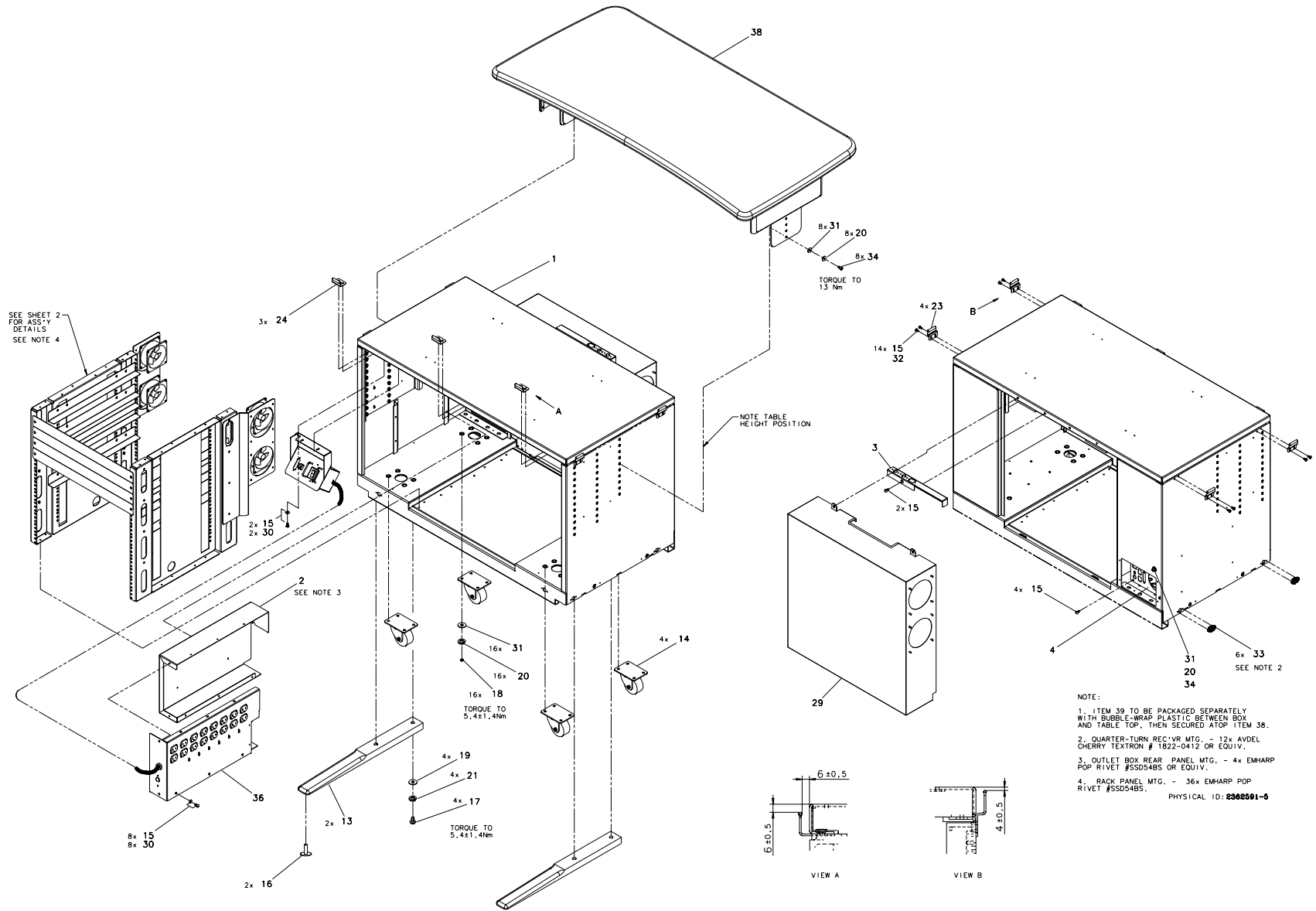


Figure 2-4 GOC4 Console Chassis High Level Assembly (2362591-5, sheet 1, rev 1)

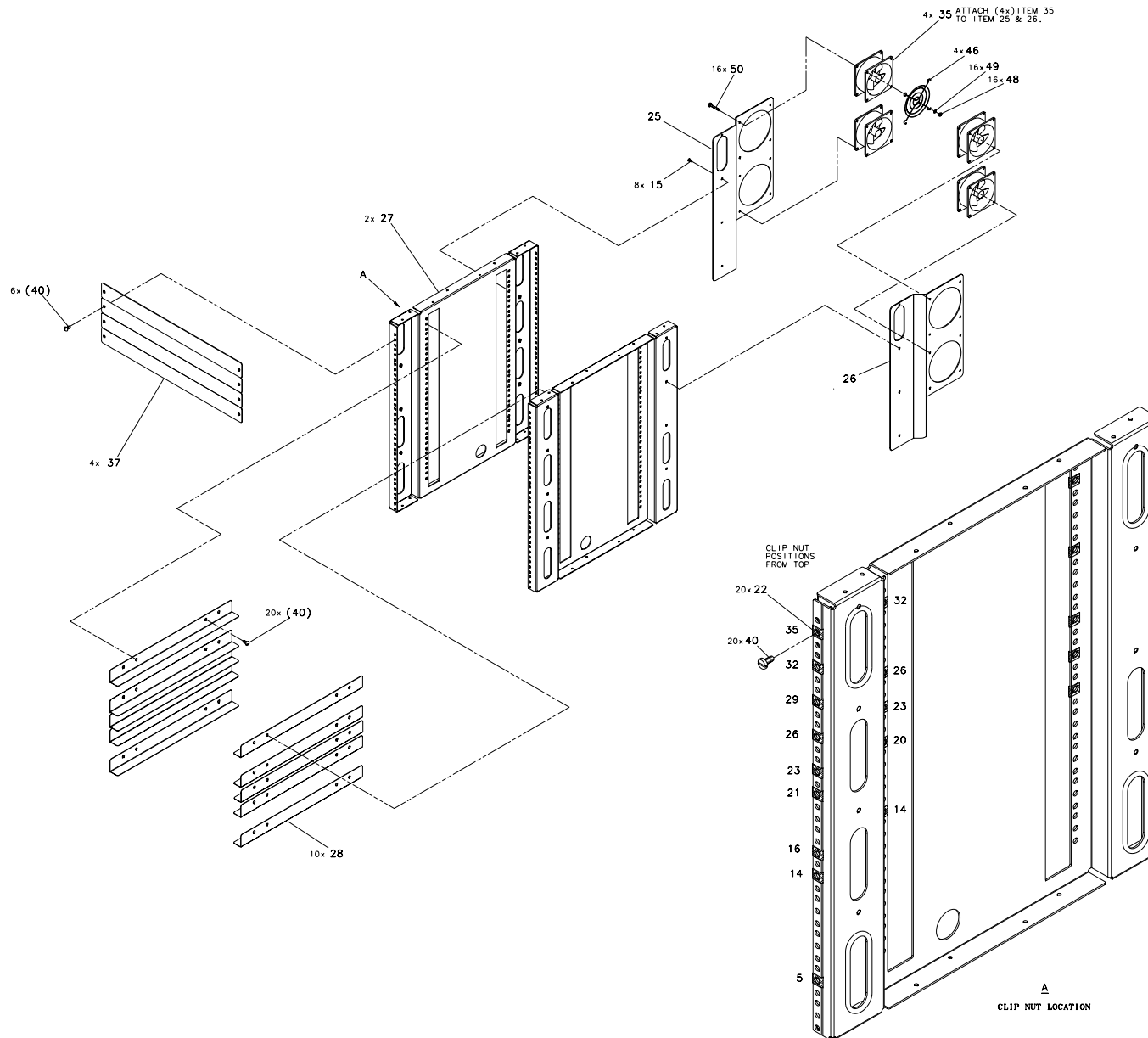


Figure 2-5 GOC4 Console Chassis High Level Assembly (2362591-5, sheet 2, rev 1)

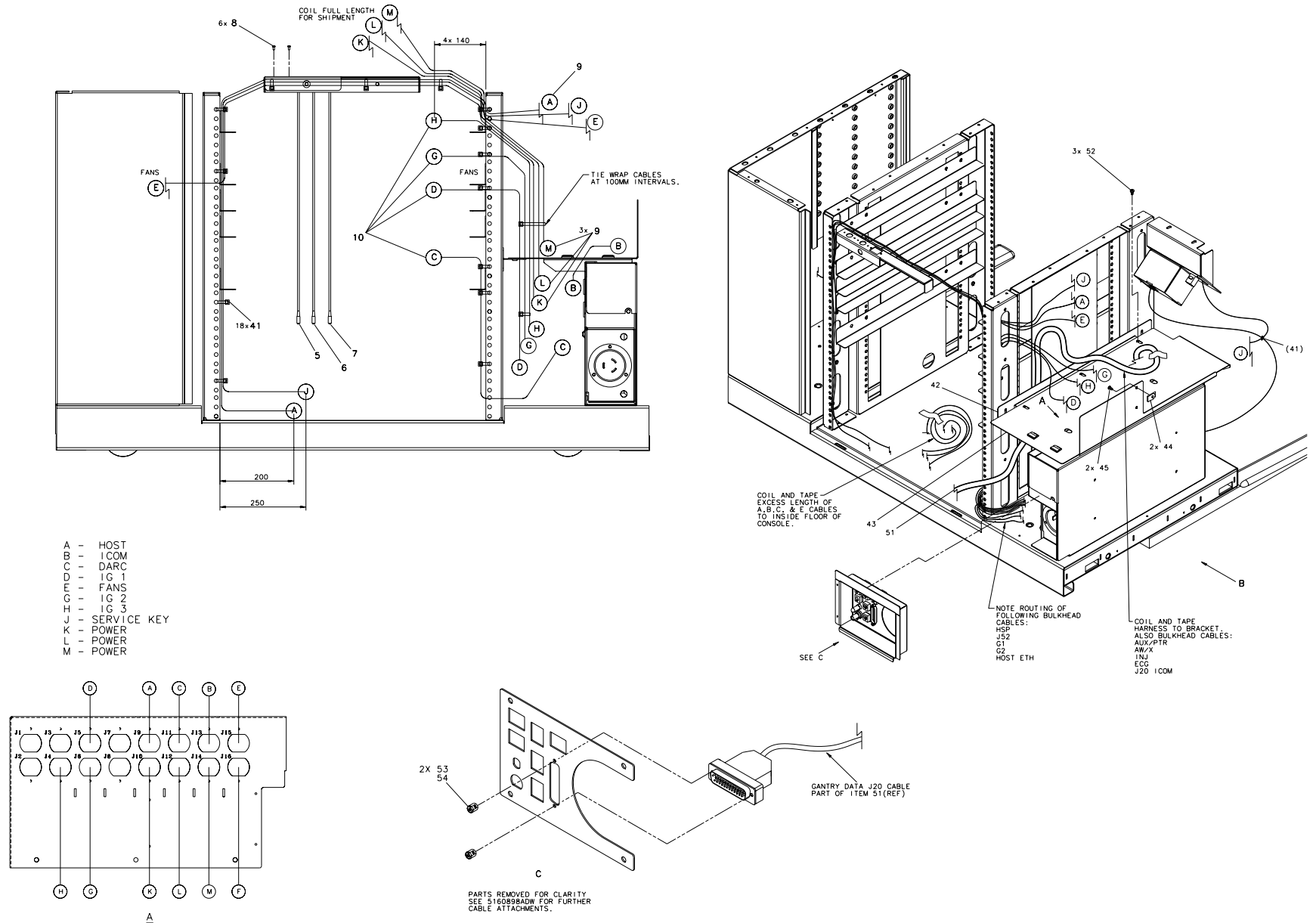


Figure 2-6 GOC4 Console Chassis High Level Assembly (2362591-5, sheet 3, rev 1)

MARK	NUMBER	QTY	FRU	DESCRIPTION/NAME
4	5160898	1	Yes	SubAssy, GRE Console Rear Bulkhead (For further detail, see Section 10.0, beginning on page 84)
5	2315117	1	Yes	CABLE, PS/2 MOUSE CABLE, LINUX
6	2315117-2	1	Yes	CABLE, PS/2 KEYBOARD CABLE, LINUX
7	5123478	1	Yes	Cable, USB Bulkhead, USB-Af to USB-Am x 3ft Lg
8	46-328421P3	6	Yes	SCREW PAN HEAD 2.5 MM 5 MM ZINC PLATED, STEEL
9	2142225	4	Yes	MONITOR POWER CORD
10	2142226	5	Yes	POWER CORD FOR EMC AREA
13	2318681	2	Yes	ANTI-TIP LEG, CONSOLE CHASSIS
14	2319043	4	Yes	CASTER, 2 1/2~ SWIVEL
15	2103585	38	Yes	SCREW PAN HEAD 4 MM 8 MM SPRING WASHER, ZINC PLATED, STEEL
18	2109877-2	16	Yes	NUT HEXAGON 6 MM
19	2109878-4	4	Yes	WASHER FLAT ISO7089 M10 A2
20	2109881-3	25	Yes	WASHER LOCK - INTERNAL 6.4 MM 11 MM
22	2180698-2	38	Yes	CLIP NUT ASSEMBLY, M5
25	5123484	1	Yes	Bracket, Exhaust Fan Mtg - Left
26	5123484-2	1	Yes	Bracket, Exhaust Fan Mtg - Right
29	5123485	1	Yes	Rear Access Cover - VCT
30	46-328431P1	10	Yes	WASHER PLAIN - LARGE 4.3 MM 12 MM ZINC PLATED, STEEL
31	46-328431P2	25	Yes	WASHER PLAIN - LARGE 6.4 MM 18 MM ZINC PLATED, STEEL
32	46-170686P3	0	Yes	LOCTITE 242, 50CC 12 MONTH SHELF LIFE FROM DATE OF SHIPMENT FROM THE MANUFACTURER.
35	5124071	4	Yes	Fan, Tube Axial - 115VAC, 50-60Hz, 119mm x 119mm x 25mm x 95-115cfm, ball bearing motor - Sinwan S125AP-11-1
36	2174159-5	1	Yes	Assy, Outlet Box for GOC4 (For further detail, see Section 9.0, beginning on page 82)
38	2315657	1	Yes	TABLE TOP ASSEMBLY, MONITOR, GOC
39	2330566	1	Yes	TABLE TOP ASSEMBLY, KEYBOARD, GOC

Table 2-2 HLA Console Chassis (2362591-5 BOM, Rev 6)

MARK	NUMBER	QTY	FRU	DESCRIPTION/NAME
41	46-208758P3	19	Yes	7.31~ X .184~ SELF-LOCKING CABLE TIE 1/16~ TO 1-3/4~ WIRE BUNDLE RANGE. 50LB TENSILE STRENGTH, NYLON MATR~L.
45	46-328417P5	2	Yes	SCREW HEXAGON SOCKET 4 MM 16 MM ZINC PLATED, STEEL
46	46-272301P11	4	Yes	FAN ACCESSORIES FINGER GUARD PAPST LZ30
47	5127629	1	Yes	Cable Assy - Exhaust Fan Power
48	2381089-3	16	Yes	SCREW, SS NYLOCK HEX NUT, M4
49	46-328430P2	16	Yes	WASHER PLAIN - NORMAL 4.3 MM 9 MM ZINC PLATED, STEEL
50	46-312358P44	16	Yes	M4 X 0.7 X 35MM METRIC FREEDRIV ZINC PLATED CROSS RECESSED PAN HEAD MACHINE SCREW
51	5128406	1	Yes	Assy, ICOM cable harness for GOC4
52	2103585	3	Yes	SCREW PAN HEAD 4 MM 8 MM SPRING WASHER, ZINC PLATED, STEEL
53	46-221417P4	2	Yes	FEMALE SCREWLOCKS FOR HD CONNECTORS. 4-40 THREAD, 0.470 OVERALL LENGTH YELLOW CHROMATE, TWO PER KIT. 0.312 BOTTOM, 0.094 PANEL THK. MAX KIT INCLUDES NUTS AND WASHERS See drawing for approved vendor
54	46-170686P3	0	Yes	LOCTITE 242, 50CC 12 MONTH SHELF LIFE FROM DATE OF SHIPMENT FROM THE MANUFACTURER.
	5323650	1	Yes	Console Monitor Table Top FRU
	5327046	1	Yes	Console Keyboard Table Top FRU
1	2366442	1	No	CONSOLE CHASSIS SUB-ASSY, GRE
2	2366442-11	1	No	REAR MTG PANEL, OUTLET BOX
3	5123480	1	No	Bracket, Cable Cover - Dual PS2f, Single USB-Af
16	2325236	2	No	LEVELER, CONSOLE ANTI-TIP LEGS
17	2109867-25	4	No	SCREW HEXAGON SOCKET
21	2109881-4	4	No	WASHER LOCK - INTERNAL 10.5 MM 18 MM
23	2366442-12	4	No	BRACKET, SIDE COVER MTG
24	2366442-13	3	No	BRACKET, FRONT COVER MTG
27	2366442-6	2	No	PANEL, RACK MOUNT
28	2366442-7	10	No	BRACKET, RACK MOUNT
33	2376906	6	No	SOUTHCO 1/4 TURN RCVR 85-35-295-20

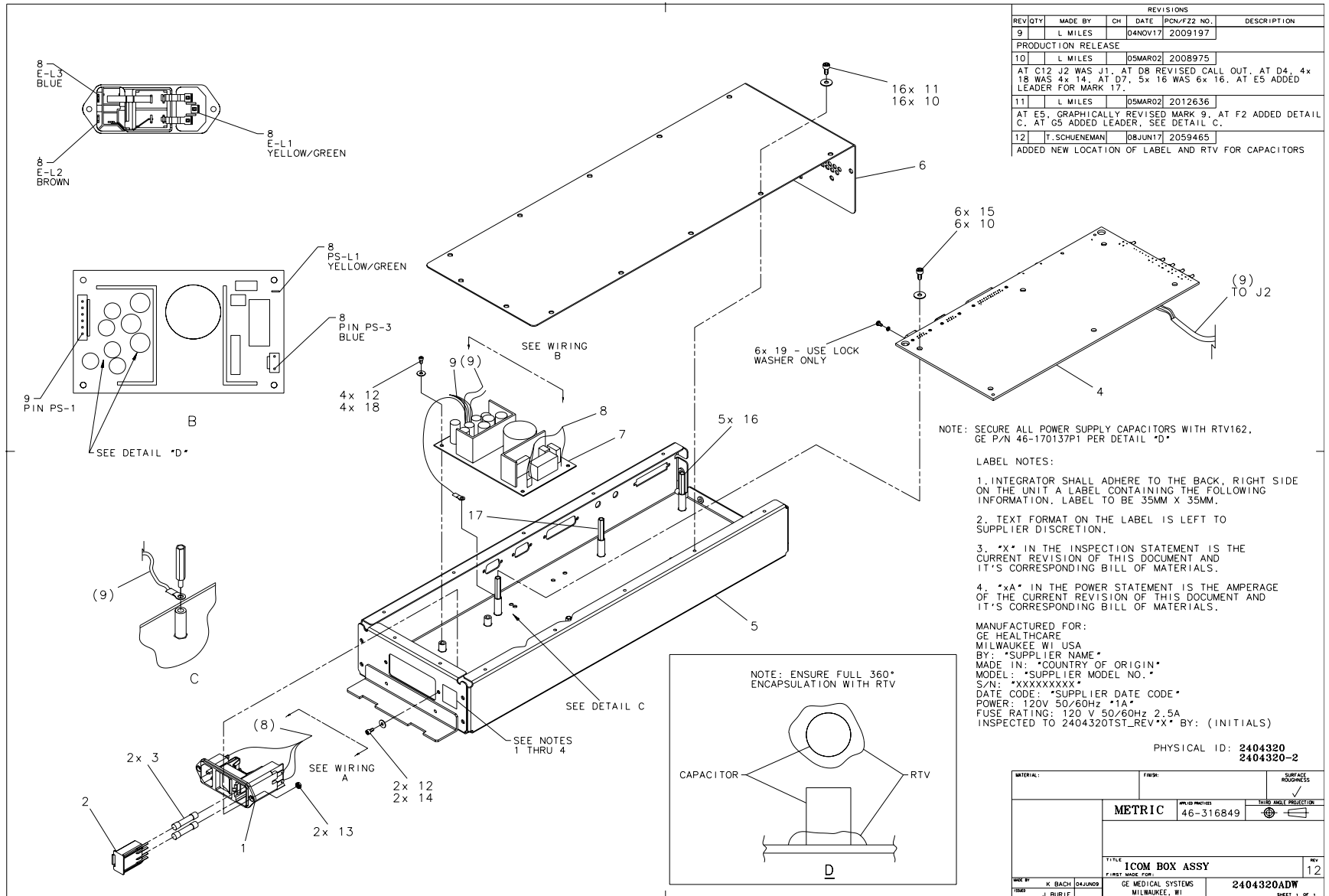
Table 2-2 HLA Console Chassis (2362591-5 BOM, Rev 6) (Continued)

MARK	NUMBER	QTY	FRU	DESCRIPTION/NAME
34	2337083-2	9	No	SCREW, M6 X 20 SOC HEAD, 12.9 CLASS
37	2366442-31	4	No	PANEL - COVER
40	46-312358P51	38	No	M5 X 0.8 X 12MM METRIC FREEDRIV ZINC PLATED CROSS RECESSED PAN HEAD MACHINE SCREW
42	5114923-2	1	No	Bracket, ICOM Lower
43	5114924-2	1	No	Bracket, ICOM Upper
44	5122710	2	No	M4 Tapped Hole Speed Nut

Table 2-2 HLA Console Chassis (2362591-5 BOM, Rev 6) (Continued)

Section 3.0 — Console Intercom Prescribed-Tilt Hub (2404320)

FRU = YES



REVISIONS					
REV/QT	MADE BY	CH	DATE	PCN/F22 NO.	DESCRIPTION
9	L MILES		04NOV17	2009197	
PRODUCTION RELEASE					
10	L MILES		05MAR02	2008975	
AT C12 J2 WAS J1. AT D8 REVISED CALL OUT. AT D4, 4x 18 WAS 4x 14. AT D7, 5x 16 WAS 6x 16. AT E5 ADDED LEADER FOR MARK 17.					
11	L MILES		05MAR02	2012636	
AT E5, GRAPHICALLY REVISED MARK 9. AT F2 ADDED DETAIL C. AT G5 ADDED LEADER, SEE DETAIL C.					
12	T. SCHUENEMAN		08JUN17	2059465	
ADDED NEW LOCATION OF LABEL AND RTV FOR CAPACITORS					

Figure 2-7 Console Intercom Prescribed-Tilt Hub (2404320 sheet 1, rev 12)

MARK	NUMBER	QTY	FRU	DESCRIPTION/NAME
3	2374694	2	Yes	8A TIME DELAY FUSES
10	46-312577P14	22	Yes	SCREW HEAD CAP SCREW STEEL ZINC PLATED (FULL THREAD) PROPERTY CLASS 8.8 ***THIS PART IS REPLACED BY 46-328417P3***
11	46-328430P2	16	Yes	WASHER PLAIN - NORMAL 4.3 MM 9 MM ZINC PLATED, STEEL
13	46-312346P1	2	Yes	M3 X 0.5 ZINC PLATED METRIC HEX NUT WITH ATTACHED TOOTH LOCK WASHER
15	46-214941P2	6	Yes	FLAT WASHER, NYLON, M4
19	46-221417P1	3	Yes	FEMALE SCREWLOCKS, TWO PER KIT FOR HD CONNECTORS 4-40 THREAD 0.5 OVERALL LENGTH, YELLOW CHROMATE 0.312 BOTTOM, 0.062 PANEL THK. MAX KIT INCLUDES NUTS AND WASHERS
1	2370567	1	No	POWER ENTRY MODULE 2 POLE FUSING
2	2374174	1	No	POWER ENTRY FUSE DRAWER
4	2399750 ¹ 5233006 ²	1	No	GRE INTERCOM-TILT GRE INTERCOM PWA
5	5114920-2	1	No	Chassis Base, ICOM
6	5114921	1	No	ct Intercom Box Chassis Cover
7	5304856	1	No	Power supply triple output 90-264V 47-63 HZ AC IN 5V 7A +12V 3A -12V 2.5A OUT
8	5115179	1	No	cable harness power entry to power supply
9	5115180	1	No	cable harness power supply to PWA
12	2276462	6	No	METRIC PLAIN FLAT WASHER 3.2MM ID X 7MM OD
14	46-312577P4	2	No	SCREW HEAD CAP SCREW STEEL ZINC PLATED (FULL THREAD) PROPERTY CLASS 8.8
16	2209282-3	5	No	HEX STANDOFF MALE/FEMALE M4 X 25MM
17	5128595	1	No	M4 x 25mm male female nylon hex stand off.
18	46-328417P73	4	No	SCREW HEXAGON SOCKET 3 MM 6 MM

¹ Applies to 2404320 BOM

² Applies to 2404320-2 BOM

Table 2-3 Console Intercom Prescribed-Tilt Hub (2404320 BOM, Rev 16, -2 Rev 2)

Section 4.0 — SCSI Tower, DVD-RAM, MOD (2368838)

FRU = YES

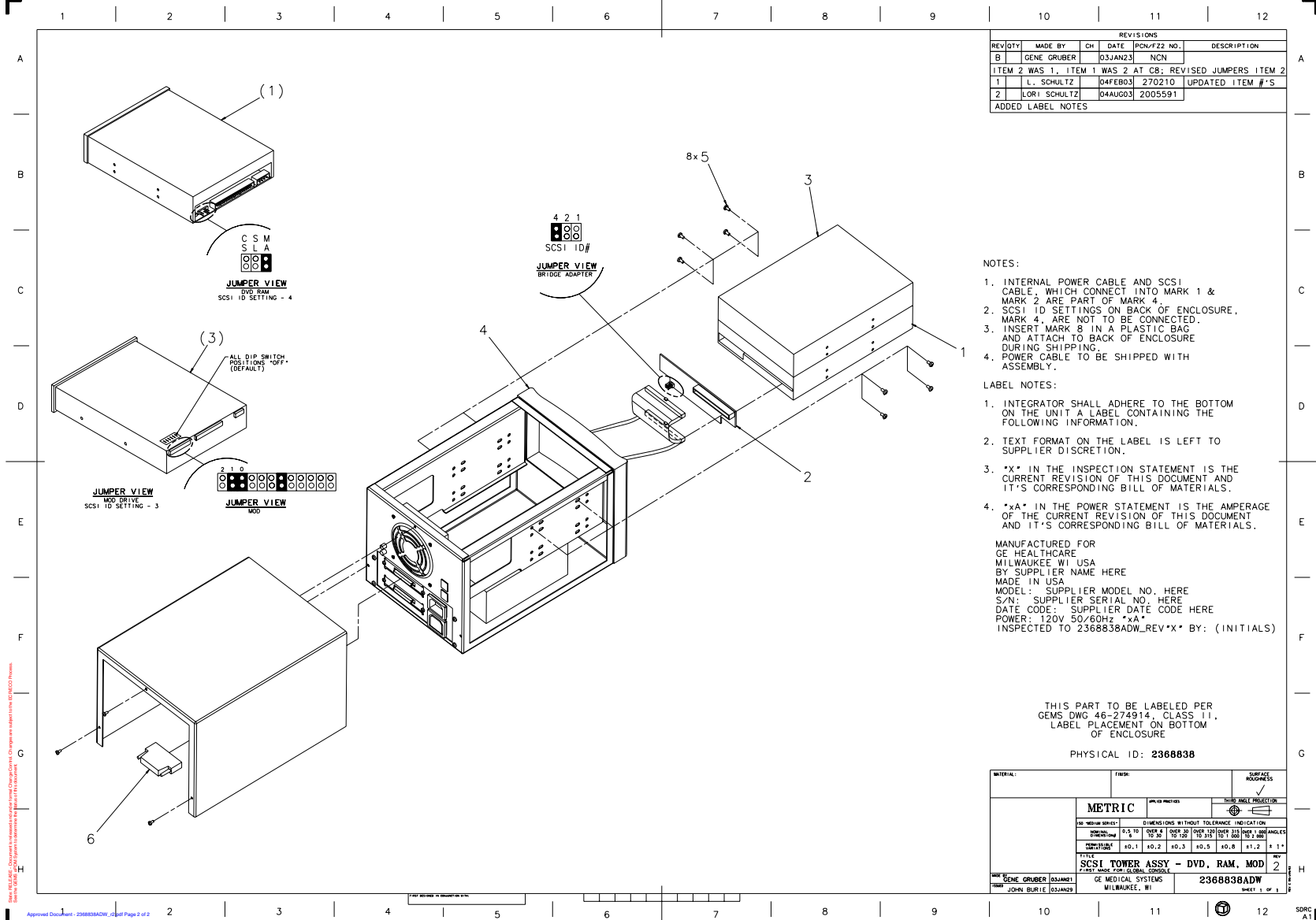


Figure 2-8 SCSI Tower, DVD-RAM, MOD (2368838 Sheet 1, Rev 2)

MARK	NUMBER	QTY	FRU	DESCRIPTION/NAME
1	2398863	1	Yes	DVD-RAM MULTI-DRIVE 4.7GB
3	2318598	1	Yes	SONY MOD SMO-F551-SD
5	46-328421P501	8	Yes	SCREW PAN HEAD 3 MM 5 MM
6	2350404	1	Yes	TERMINATOR, CENT50, ACTIVE
2	2368521	1	No	ADAPTER, SCSI TO IDE BRIDGE
4	2315118	1	No	2 BAY EXTERNAL SCSI TOWER

Table 2-4 SCSI Tower, DVD-RAM, MOD (2368838 BOM, Rev 2)

Section 5.0 — Peripheral Tower, Dual-bay, MOD, DVD-RAM

MARK	NUMBER	QTY	SPARE PART	DESCRIPTION
1	2318598	1.0	Yes	SONY MOD SMO-F551-SD
2	2398863-2	1.0	No	5X DVD-RAM Multi Drive 4.7GB per side
3	2368521	1.0	No	ADAPTER, SCSI TO IDE BRIDGE
4	5167410-10	1.0	No	Peripheral Media Tower Chassis Assembly

Table 2-5 Peripheral Tower, Dual-bay, MOD, DVD-RAM (5167410 BOM Rev 6)

Section 6.0 — Cover Assy - Console Front (5128181)

FRU = YES

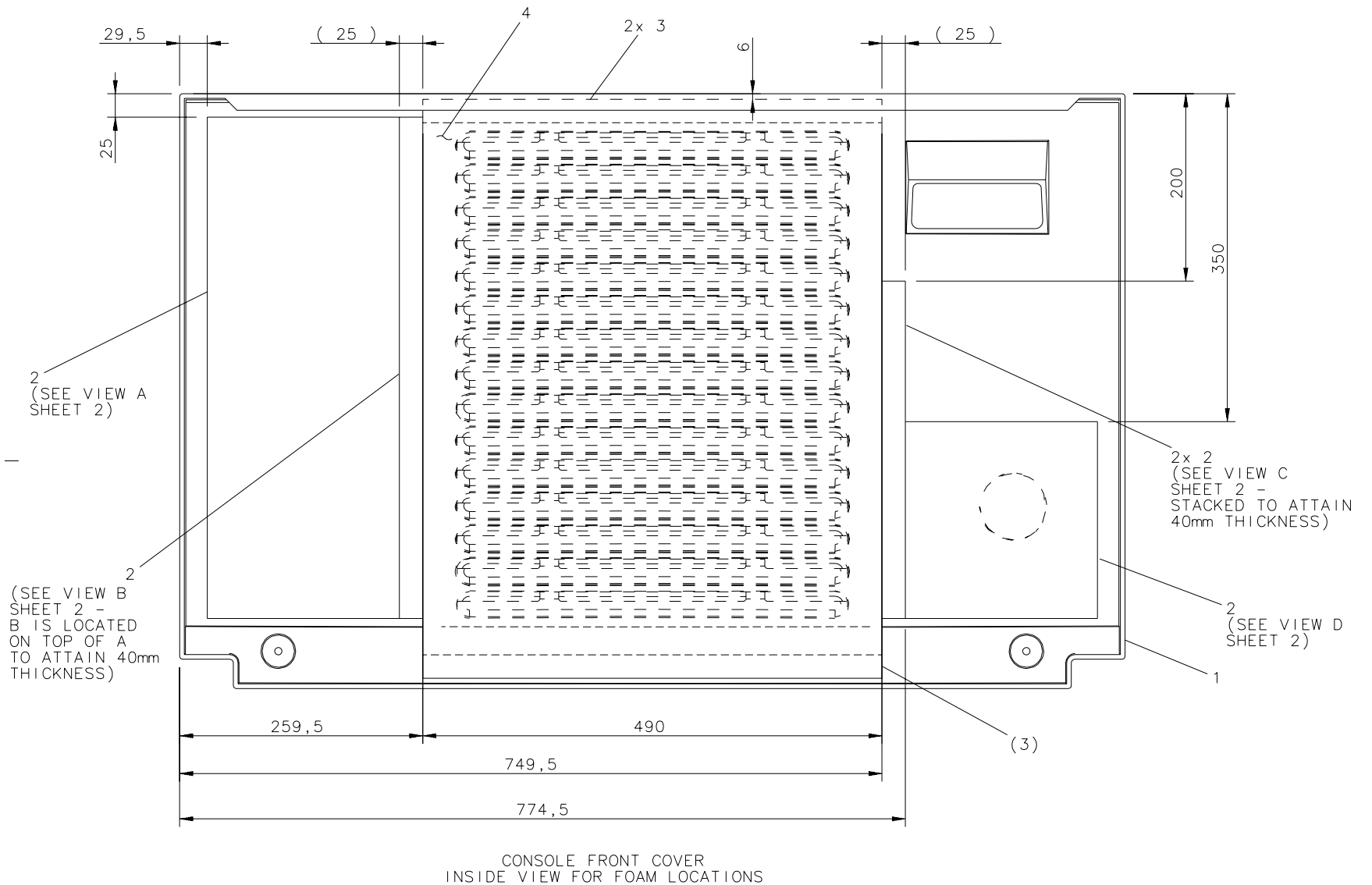


Figure 2-9 Cover Assy - Console Front (5128181 sheet 1, rev 1)

MARK	NUMBER	QTY	FRU	DESCRIPTION
1	2369619	1.0	Yes	COVER, CONSOLE FRONT - GRE
2	5124020	1.0	Yes	Foam, Sound Absorbing - 54in Wd x 1in Thick
3	46-136246P18	3.21	Yes	1~ WIDE, WHT, ADH BACK, VELCRO HOOK 75 FT PER RL
4	5128180	1.0	Yes	Filter, 25 PPI Quadrafoam UL94 HF-1

Table 2-6 Cover Assy - Console Front (5128181 BOM, Rev 1)

Section 7.0 — Side Covers GOC (2337534)

FRU = YES

MARK	NUMBER	QTY	FRU	DESCRIPTION
1	2315656	1.0	Yes	RIGHT SIDE COVER, GLOBAL CONSOLE
2	2315656-2	1.0	Yes	LEFT SIDE COVER, GLOBAL CONSOLE

Table 2-7 Side Covers GOC (2337534 BOM, Rev 0)

Section 8.0 — Assembly - Outlet Box (GRE) (2174159-3)

FRU = YES

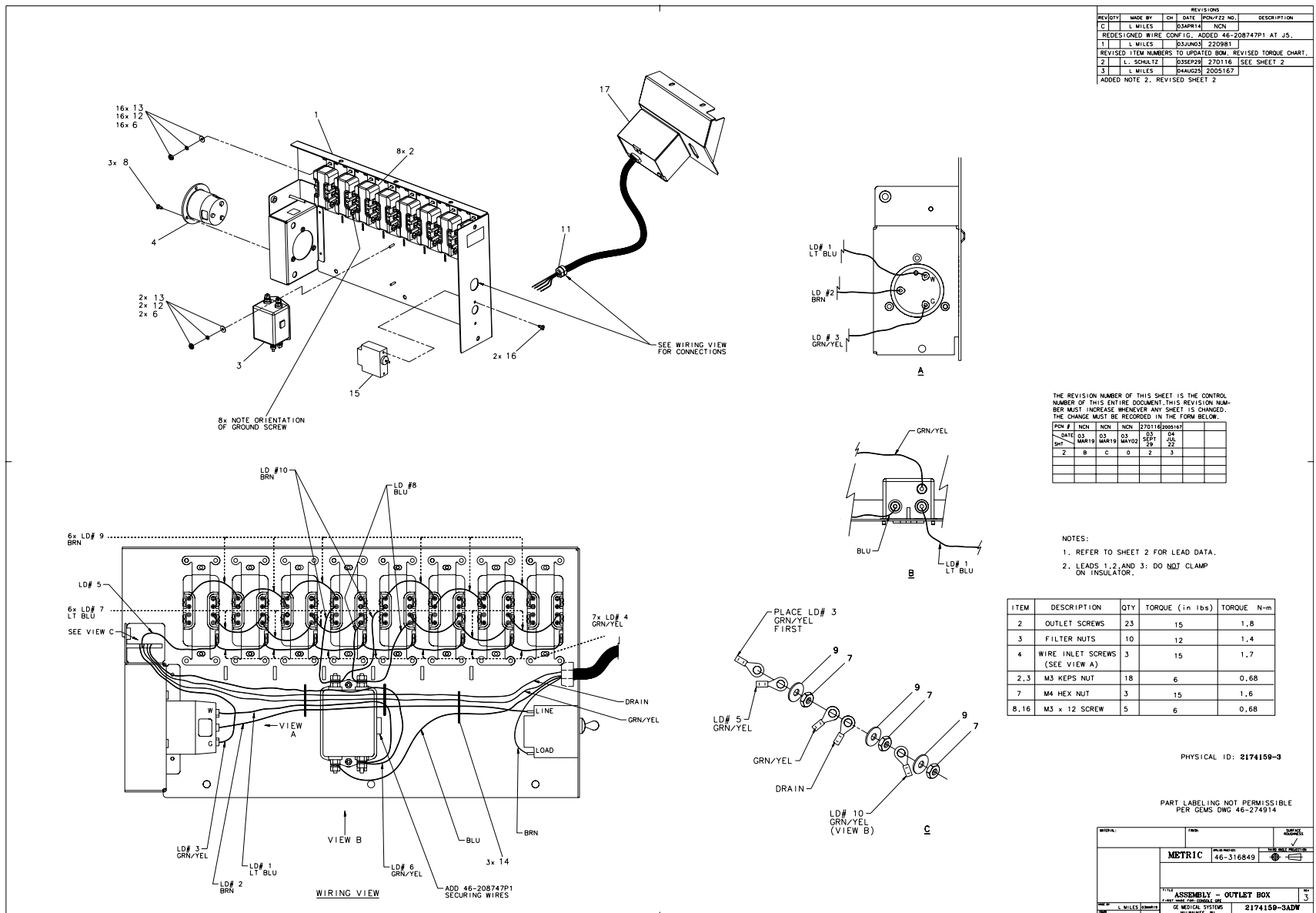


Figure 2-10 GRE Outlet Box Assembly (2174159-3, sheet 1, rev 3)

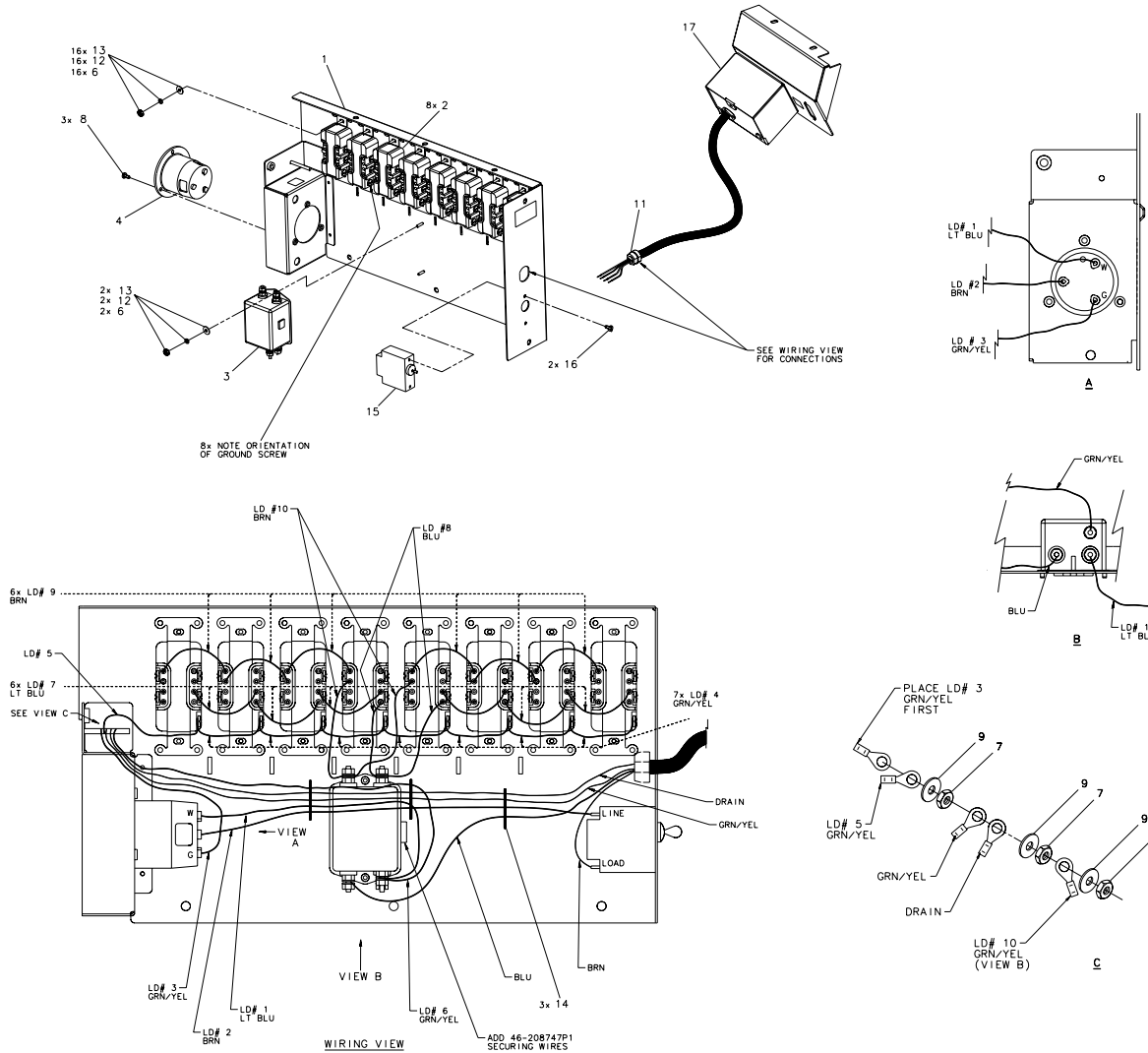
MARK	NUMBER	QTY	FRU	DESCRIPTION/NAME
2	46-278446P1	8	Yes	15A, 125VAC, 2 POLE, 3 WIRE DUPLEX TYPE, GRAY IN COLOR. (REV TK, 7/91).
3	46-297335P3	1	Yes	16A, 250V 2-STAGE PWR LINE FILTER
4	46-243925P1	1	Yes	20A, 125V, 2-POLE, 3 WIRE TWIST LOCK FLANGED INLET (MALE) LOCKING TYPE (REV TK, 10/91).
6	46-328425P10	16	Yes	NUT HEXAGON 3 MM
7	46-328425P1	3	Yes	NUT HEXAGON 4 MM
9	46-328430P2	3	Yes	WASHER PLAIN - NORMAL 4.3 MM 9 MM ZINC PLATED, STEEL
12	46-311804P2	16	Yes	3.2X9X.8 ZP ST DIN
13	46-311805P10	16	Yes	HELICAL LOCK WASHER M3 ZP DIN
14	46-208758P2	3	Yes	5.5~ X .140~ SELF-LOCKING CABLE TIE. 1/16~ TO 1-1/4~ WIRE BUNDLE RANGE. 30LB TENSILE STRENGTH, NYLON MATR~L.
16	46-328421P501	2	Yes	SCREW PAN HEAD 3 MM 5 MM
1	2367803	1	No	WELDMENT - OUTLET BOX (GRE)
8	46-312358P30	3	No	M3 X 0.5 X 12MM METRIC FREEDRIV ZINC PLATED CROSS RECESSED PAN HEAD MACHINE SCREW
11	46-208697P57	1	No	HEYCO PART NO.1247 SR-7W-2 BLACK
15	2336074	1	No	CIRCUIT BREAKER 15 AMPS 240 VOLTS 80
17	2367804	1	No	SWITCH BOX ASSY (GRE)

Table 2-8 Assembly - Outlet Box (GRE) (2174159-3 BOM, Rev 4)

Section 9.0 — Assembly - Outlet Box (GOC4) (2174159-5)

FRU = YES

REVISIONS				
REV#	DATE	BY	CHKD	DESCRIPTION
2	03/04/21	L. WILLES	WCH	AT D9 REMOVED ITEM 18 & 19.



THE REVISION NUMBER OF THIS SHEET IS THE CONTROL NUMBER OF THIS ENTIRE DOCUMENT. THIS REVISION NUMBER MUST INCREASE WHENEVER ANY SHEET IS CHANGED. THE CHANGE MUST BE RECORDED IN THE FORM BELOW.

REV #	DATE	BY	CHKD	DESCRIPTION
2				

- NOTES:
- REFER TO SHEET 2 FOR LEAD DATA.
 - LEADS 1, 2, AND 3: DO NOT CLAMP ON INSULATOR.

ITEM	DESCRIPTION	QTY	TORQUE (in lbs)	TORQUE N-m
2	OUTLET SCREWS	23	15	1.8
3	FILTER NUTS	10	12	1.4
4	WIRE INLET SCREWS (SEE VIEW A)	3	15	1.7
2,3	M3 KEPS NUT	18	6	0.68
7	M4 HEX NUT	3	15	1.6
8,16	M3 x 12 SCREW	5	6	0.68

PHYSICAL ID: 2174159-5

PART LABELING NOT PERMISSIBLE PER GEMS DWG 46-274914

REV#	DATE	BY	CHKD	DESCRIPTION
2	03/04/21	L. WILLES	WCH	AT D9 REMOVED ITEM 18 & 19.

METRIC 46-316849
 ASSEMBLY - OUTLET BOX
 2174159-5ADW
 2

Figure 2-11 Assembly - Outlet Box (GOC4) (2174159-5 sheet 1, Rev 2)

MARK	NUMBER	QTY	FRU	DESCRIPTION
2	46-278446P1	8.0	Yes	15A, 125VAC, 2 POLE, 3 WIRE DUPLEX TYPE, GRAY IN COLOR. (REV TK, 7/91).
3	46-297335P3	1.0	Yes	16A, 250V 2-STAGE PWR LINE FILTER
4	46-243925P1	1.0	Yes	20A, 125V, 2-POLE, 3 WIRE TWIST LOCK FLANGED INLET (MALE) LOCKING TYPE (REV TK, 10/91).
6	46-328425P10	16.0	Yes	NUT HEXAGON 3 MM
7	46-328425P1	3.0	Yes	NUT HEXAGON 4 MM
9	46-328430P2	3.0	Yes	WASHER PLAIN - NORMAL 4.3 MM 9 MM ZINC PLATED, STEEL
12	46-311804P2	16.0	Yes	3.2X9X.8 ZP ST DIN
13	46-311805P10	16.0	Yes	HELICAL LOCK WASHER M3 ZP DIN
14	46-208758P2	3.0	Yes	5.5~ X .140~ SELF-LOCKING CABLE TIE. 1/16~ TO 1-1/4~ WIRE BUNDLE RANGE. 30LB TENSILE STRENGTH, NYLON MATR~L.
16	46-328421P501	2.0	Yes	SCREW PAN HEAD 3 MM 5 MM
1	2367803	1.0	No	WELDMENT - OUTLET BOX (GRE)
8	46-312358P30	3.0	No	M3 X 0.5 X 12MM METRIC FREEDRIV ZINC PLATED CROSS RECESSED PAN HEAD MACHINE SCREW
11	46-208697P57	1.0	No	HEYCO PART NO.1247 SR-7W-2 BLACK
15	2336074	1.0	No	CIRCUIT BREAKER 15 AMPS 240 VOLTS 80
17	5154767	1.0	No	SWITCH BOX ASSY for GRE with Service ethernet port

Table 2-9 Assembly - Outlet Box (GOC4) (2174159-5 BOM, Rev 2

Section 10.0 — SubAssy, GRE Console Rear Bulkhead (5160898)

FRU = YES

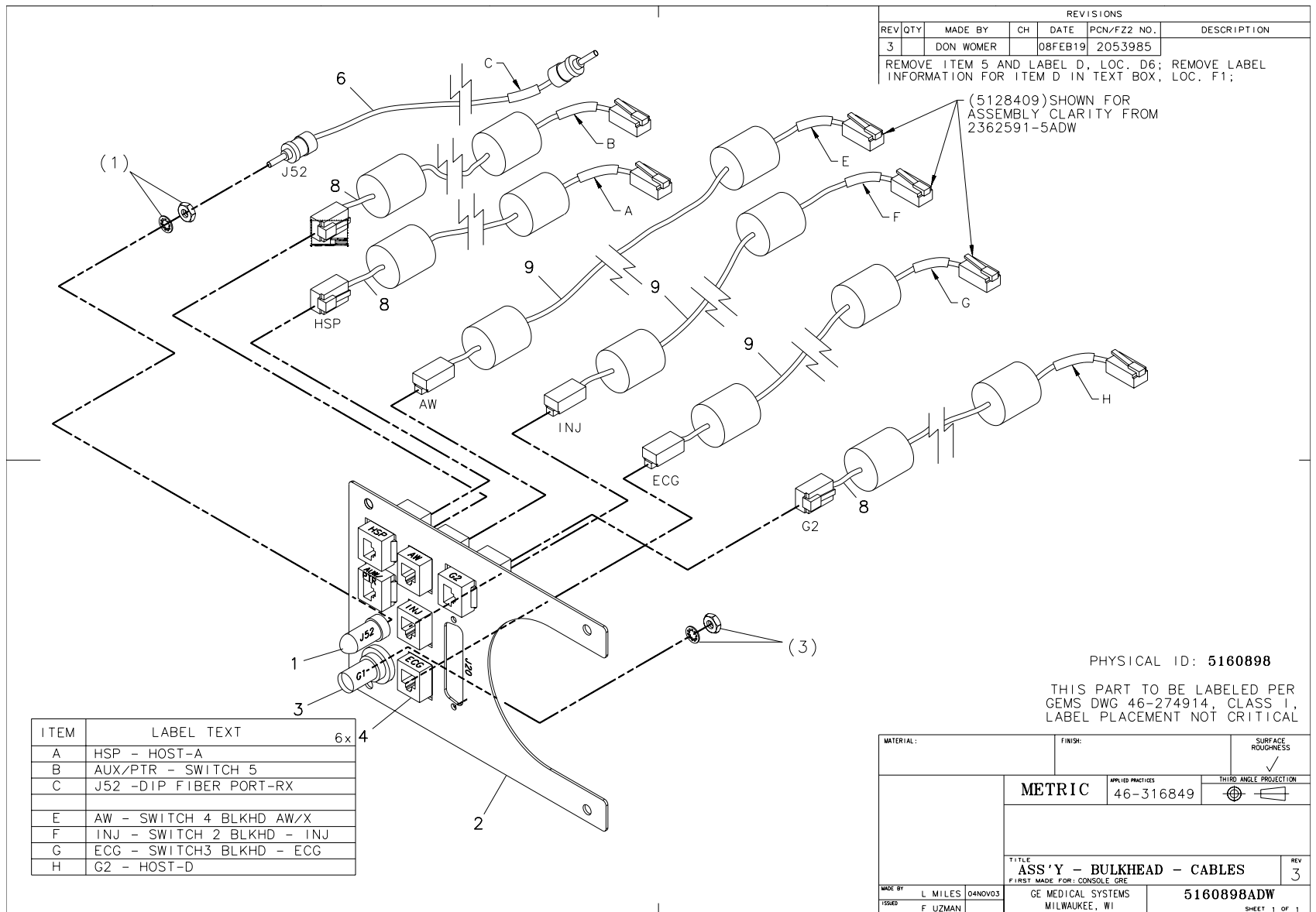


Figure 2-12 SubAssy, GRE Console Rear Bulkhead (5160898, sheet 1, rev 3)

MARK	NUMBER	QTY	FRU	DESCRIPTION/NAME
1	2265406	1	Yes	FIBER-OPTIC COUPLING RECEPTACLE KIT, 2.5MM BAYONET, AMP OPTIMATE
4	5122589	6	Yes	Adapter, Bulkhead RJ45 CAT5e Shielded, L-com #TDG1026KS-C5E
8	5127222-3	3	Yes	Cable, Ethernet x 3ft Lg - CAT5e, 4 twisted pair, 24awg solid copper, Shielded - aluminized polyester and tinned copper, gray PVC jacket, snagless PVC boot, Plugs - UL94V-0 rated polycarbonate with metallic strain relief, EIA-TIA568, UL listed, CMR rated,
9	5128409	1	Yes	Assy, Gbe cable harness for VCT console
2	5160899	1	No	Bulkhead Panel, GRE Console Rear Cable Connections
3	2374957	1	No	ADAPTER - BULKHEAD BNC JACK-JACK
6	2318713-2	1	No	CABLE-FIBER OPTIC ST-SC X 3FT

Table 2-10 SubAssy, GRE Console Rear Bulkhead (5160898 BOM Rev 4)

End of Chapter.

Chapter 3

Associated Items

MONITORS

- LCD Monitor and Cable - 18 inch (2309592) (See [Section 1.1](#))
- LCD Monitor - 19 inch (B7858LC) (See [Section 1.2](#))

KEYBOARD WITH SCIM, COLLECTORS

- English (2275758) (See [Section 2.1](#))
- French (2275758-2) (See [Section 2.2](#))
- German (2275758-3) (See [Section 2.3](#))
- Swedish (2275758-4) (See [Section 2.4](#))
- International (2275758-5) (See [Section 2.5](#))
- Spanish (2275758-7) (See [Section 2.6](#))
- Italian (2275758-8) (See [Section 2.7](#))
- Portuguese (2275758-9) (See [Section 2.8](#))
- English and Chinese (2275758-10) (See [Section 2.9](#))
- Japanese (2275758-11) (See [Section 2.10](#))

PERIPHERALS

- Console Slide Service Kit (2379135) (See [Section 3.1](#))
- Power Switch and Cables (2379134) (See [Section 3.2](#))
- Modem Kit (B7700MG) (See [Section 3.3](#))

Section 1.0 — Monitors

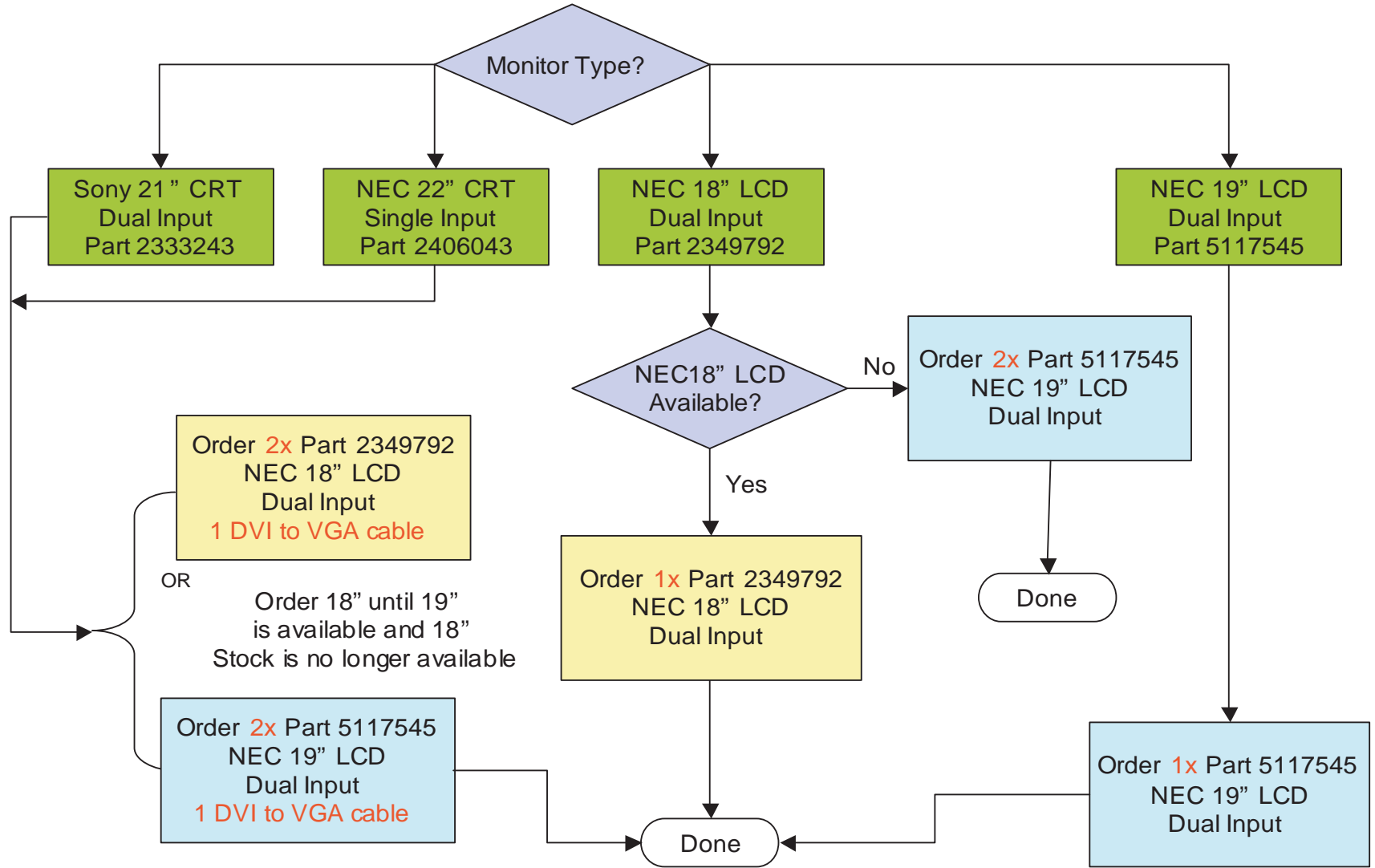


Figure 3-1 Monitor Selection Flowchart

1.1 LCD Monitor and Cable - 18 Inch (2309592)

FRU = NO

MARK	NUMBER	QTY	FRU	DESCRIPTION
1	2349792	1.0	Yes	18.1 INCH LCD COLOR MONITOR
2	2295019	1.0	Yes	13W3-BD15 RGB LCD STRAIGHT CONN CBL

Table 3-1 LCD Monitor and Cable (2309592 BOM, Rev 1)

1.2 LCD Monitor - 19 Inch (B7858LC)

MARK	NAME	QTY	FRU	DESCRIPTION
1	5169069	2.0	Yes	OEM 19 INCHES COLOR MONITOR LCD 1990SXi - SILVER

Table 3-2 LCD Monitor and Cable (B7858LC BOM, Rev 3)

Section 2.0 — Keyboard with SCIM, Collectors



Figure 3-2 Keyboard and SCIM Assembly (Rev 11/15/00)

2.1 Keyboard with SCIM Collector - English (2275758)

FRU = YES

MARK	NUMBER	QTY	FRU	DESCRIPTION
1	2275756	1.0	Yes	KEYBOARD, NORTH AMERICAN PC PS/2
2	2275757	1.0	Yes	FUNCTION KEY TEMPLATE - ENGLISH
3	2275752	1.0	Yes	SCIM COLLECTOR - ENGLISH
4	2323942	1.0	Yes	CABLE, HD50 TO HD50

Table 3-3 Keyboard with SCIM Collector - English (2275758 BOM, Rev 5)

2.1.1 SCIM Collector – English (2275752)

FRU = YES

MARK	NUMBER	QTY	FRU	DESCRIPTION
1	2262158	1.0	Yes	SCAN CONTROL INTERCOM MODULE
2	2262158-11	1.0	Yes	OVERLAY, SCIM CT, TILT - ENGLISH

Table 3-4 SCIM Collector - English (2275752 BOM, Rev 2)

2.2 French (2275758-2)

FRU = YES

MARK	NUMBER	QTY	FRU	DESCRIPTION
1	2275756-2	1.0	Yes	KEYBOARD, EUROPEAN FRENCH
3	2275752-2	1.0	Yes	SCIM COLLECTOR - FRENCH (For further detail, see "SCIM Collector - French (2275752-2)," on page 92.)
4	2323942	1.0	Yes	CABLE, HD50 TO HD50
2	2275757-2	1.0	No	FUNCTION KEY TEMPLATE - F

Table 3-5 Keyboard with SCIM Collector - French (2275758-2 BOM, Rev 3)

2.2.1 SCIM Collector - French (2275752-2)

MARK	NUMBER	QTY	FRU	DESCRIPTION
1	2262158	1.0	Yes	SCAN CONTROL INTERCOM MODULE
2	2262158-12	1.0	Yes	OVERLAY, SCIM CT, TILT - FRENCH

Table 3-6 SCIM Collector - French (2275752-2 BOM, Rev 2)

2.3 German (2275758-3)

MARK	NUMBER	QTY	FRU	DESCRIPTION
1	2275756-3	1.0	Yes	KEYBOARD, GERMAN PC PS/2
3	2275752-3	1.0	Yes	SCIM COLLECTOR - GERMAN (For further detail, see <i>"SCIM Collector - German (2275752-3)," on page 93.</i>)
4	2323942	1.0	Yes	CABLE, HD50 TO HD50
2	2275757-3	1.0	No	FUNCTION KEY TEMPLATE - GERMAN

Table 3-7 Keyboard with SCIM Collector - German (2275758-3 BOM, Rev 3)

2.3.1 SCIM Collector - German (2275752-3)

MARK	NUMBER	QTY	FRU	DESCRIPTION
1	2262158	1.0	Yes	SCAN CONTROL INTERCOM MODULE
2	2262158-13	1.0	Yes	OVERLAY, SCIM CT, TILT - GERMAN

Table 3-8 SCIM Collector - German (2275752-3 BOM, Rev 2)

2.4 Swedish (2275758-4)

MARK	NUMBER	QTY	FRU	DESCRIPTION
1	2275756-4	1.0	Yes	KEYBOARD, SWEDISH PC PS/2
3	2275752	1.0	Yes	SCIM COLLECTOR - ENGLISH (For further detail, see <i>"SCIM Collector – English (2275752)," on page 91.</i>)
4	2323942	1.0	Yes	CABLE, HD50 TO HD50
2	2275757	1.0	No	FUNCTION KEY TEMPLATE - E

Table 3-9 Keyboard with SCIM Collector - Swedish (2275758-4 BOM, Rev 3)

2.5 International (2275758-5)

MARK	NUMBER	QTY	FRU	DESCRIPTION
1	2275756	1.0	Yes	KEYBOARD, NORTH AMERICAN
3	2275752-4	1.0	Yes	SCIM COLLECTOR - INTERNATIONAL (For further detail, see <i>"SCIM Collector - International (2275752-4)," on page 94.</i>)
4	2323942	1.0	Yes	CABLE, HD50 TO HD50
2	2283830	1.0	No	FUNCTION KEY TEMPLATE COL

Table 3-10 Keyboard with SCIM Collector - International (2275758-5 BOM, Rev 3)

2.5.1 SCIM Collector - International (2275752-4)

MARK	NUMBER	QTY	FRU	DESCRIPTION
1	2262158	1.0	Yes	SCAN CONTROL INTERCOM MODULE
2	2262158-10	1.0	Yes	OVERLAY, SCIM CT, TILT - BLANK
3	2262158-14	1.0	Yes	OVERLAY, SCIM CT, TILT - JAPANESE
4	2262158-15	1.0	Yes	OVERLAY, SCIM CT, TILT - MANDARIN
5	2262158-12	1.0	Yes	OVERLAY, SCIM CT, TILT - FRENCH
6	2262158-13	1.0	Yes	OVERLAY, SCIM CT, TILT - GERMAN
7	2262158-16	1.0	Yes	OVERLAY, SCIM CT, TILT - SPANISH
8	2262158-17	1.0	Yes	OVERLAY, SCIM CT, TILT - ITALIAN
9	2262158-18	1.0	Yes	OVERLAY, SCIM CT, TILT - PORTUGUESE
10	2262158-11	1.0	Yes	OVERLAY, SCIM CT, TILT - ENGLISH

Table 3-11 SCIM Collector - International (2275752-4 BOM, Rev 3)

2.6 Spanish (2275752-7)

MARK	NUMBER	QTY	FRU	DESCRIPTION
1	2262158	1.0	Yes	SCAN CONTROL INTERCOM MODULE
2	2262158-16	1.0	Yes	OVERLAY, SCIM CT, TILT - SPANISH

Table 3-12 SCIM Collector - Spanish (2275758-7 BOM Rev 1)

2.7 Italian (2275752-8)

MARK	NUMBER	QTY	FRU	DESCRIPTION
1	2262158	1.0	Yes	SCAN CONTROL INTERCOM MODULE
2	2262158-17	1.0	Yes	OVERLAY, SCIM CT, TILT - ITALIAN

Table 3-13 SCIM Collector - Italian (2275752-8 BOM Rev 1)

2.8 Portuguese (2275752-9)

MARK	NUMBER	QTY	FRU	DESCRIPTION
1	2262158	1.0	Yes	SCAN CONTROL INTERCOM MODULE
2	2262158-18	1.0	Yes	OVERLAY, SCIM CT, TILT - PORTUGUESE

Table 3-14 SCIM Collector - Portuguese (2275752-9 BOM Rev 1)

2.9 English and Chinese (2275752-10)

MARK	NUMBER	QTY	FRU	DESCRIPTION
1	2262158	1.0	Yes	SCAN CONTROL INTERCOM MODULE
2	2262158-11	1.0	Yes	OVERLAY, SCIM CT, TILT - ENGLISH
4	2262158-15	1.0	Yes	OVERLAY, SCIM CT, TILT - MANDARIN

Table 3-15 SCIM Collector - English and Chinese (2275752-10 BOM Rev 3)

2.9.1 Keyboard and SCIM Collector - English and Chinese (2275758-10)

MARK	NUMBER	QTY	FRU	DESCRIPTION
1	2275756	1.0	Yes	KEYBOARD, NORTH AMERICAN PC PS/2
2	2275757	1.0	Yes	FUNCTION KEY TEMPLATE - ENGLISH
3	2275757-8	1.0	Yes	FUNCTION KEY TEMPLATE - MANDARIN
4	2275752-10	1.0	No	SCIM COLLECTOR - ENGLISH and CHINESE
5	5149890	1.0	No	Warning Label
6	5149891	1.0	No	Warning Label

Table 3-16 SCIM Collector - English and Chinese (2275758-10 BOM Rev 3)

2.10 Japanese (2275752-11)

MARK	NUMBER	QTY	FRU	DESCRIPTION
1	2262158	1.0	Yes	SCAN CONTROL INTERCOM MODULE
2	2262158-14	1.0	Yes	OVERLAY, SCIM CT, TILT - JAPANESE

Table 3-17 SCIM Collector - Japanese (2275752-11 BOM Rev 1)

Section 3.0 — Peripherals

3.1 Console Slide Service Kit (2379135)

MARK	NUMBER	QTY	FRU	DESCRIPTION
3	2317595	1.000	No	SLIDE RAIL FOR DRAWER ASS
4	2317501	1.000	No	BRACKET, DRAWER BALL LATC
5	2317502	1.000	No	LATCH, DRAWER ASSEMBLY
6	2366442-7	4.000	No	BRACKET, RACK MOUNT

Table 3-18 Console Slide Service Kit (2379135 BOM, Rev 0)

3.2 Power Switch and Cables (2379134)

MARK	NUMBER	QTY	FRU	DESCRIPTION
1	2150833	1.000	No	BREAKER SWITCH
2	2108900	1.000	No	CONNECTOR 8 CONTACTS 150 VOLTS
5	2318308	1.000	No	ETHERNET CABLE, CHASSIS SVC PANEL
7	2341434-2	1.000	No	CABLE, KEYBOARD - OCTANE 2
8	2341434	1.000	No	CABLE, MOUSE - OCTANE 2

Table 3-19 Power Switch and Cables (2379134 BOM, Rev 0)

3.3 Modem Kit (B7700MG)

MARK	NUMBER	QTY	FRU	DESCRIPTION
1	2382276	1.000	No	GRE MODEM KIT

Table 3-20 GOC3 Modem Kit (B7700MG BOM, Rev 0)

End of Chapter.

Chapter 4

Options

- [Video Upgrade for Linux Console \(B7868MC\)](#)
- [LCD and SUSP \(Boom In Room\) LNX \(B7710LM\)](#)
- [HS/LS Remote Color \(LNX\) Monitor \(B7530LC\)](#)

Section 1.0 — Video Upgrade for Linux Console (B7868MC)

MARK	NUMBER	QTY	FRU	DESCRIPTION
1	2378278	1.0	No	VIDEO UPGRADE FOR LINUX C (For further detail, see Section 1.1.)

Table 4-1 Video Upgrade for Linux Console (B7868MC BOM, Rev 0)

1.1 Video Upgrade (2378278)

MARK	NUMBER	QTY	FRU	DESCRIPTION
2	2384322	1.0	Yes	5 BNC MALE TO HD15 MALE - 75 FT PLENUM RATED (
9	2302528	1.0	Yes	VIDIO CABLE FOR LCD SUSPENSION SYSTEM
13	2376772	1.0	Yes	1-IN 4-OUT RGBHV DISTRIBUTION AMP
27	2384323	10.0	Yes	75 OHM TERMINATOR
28	2384324	1.0	Yes	DVI TO HD15 CONVERTER
1	46-302200P10	1.0	No	1.72 X 1.10, MODEL#, SN, DATE, DESCRIPTION
14	2376770-2	1.0	No	5 BNC MALE TO HD15 MALE (6 FT)(
16	2376771	1.0	No	5 BNC MALE TO HD15 FEMALE (6 FT)
18	2200583-100	1.0	No	CT/I (SONATA) UPGRADE MANUAL
19	2211224-100	1.0	No	LIGHTSPEED QX/I OPTIONS INSTALLATION
25	2212092	1.0	No	CEILING PLATE ASSEMBLY FOR LCD

Table 4-2 Video Upgrade (2378278 BOM, Rev 3)

Section 2.0 — LCD and SUSP (Boom In Room) LNX (B7710LM)

MARK	NUMBER	QTY	FRU	DESCRIPTION
1	2376773	1.000	No	BOOM-IN-A-ROOM FOR LINUX (For further detail, see Section 2.1.)

Table 4-3 LCD and SUSP (Boom in Room) LNX (B7710LM BOM, Rev 0)

2.1 Boom-in-a-Room for Linux (2376773)

MARK	NUMBER	QTY	FRU	DESCRIPTION
2	2384322	1.0	Yes	5 BNC MALE TO HD15 MALE - 75 FT PLENUM RATED
3	2214293	1.0	Yes	CEILING COLUMN WITH FLANGE, 58CM
4	2214292	1.0	Yes	80-80 CM EXTENSION/SPRING ARM 10,3 KG (22.7 LBS)
5	2349792	1.0	Yes	18.1 IN LCD COLOR MONITOR BEIGE GLOBAL STANDARD 2002-2003
6	2211031	1.0	Yes	LCD BRACKET - SHORT
7	2212717	1.0	Yes	CABLE COVER FOR LCD SUSPENSION 3.6 METERS LONG
9	2302528	1.0	Yes	VIDIO CABLE FOR LCD SUSPENSION SYST.
11	2213213	1.0	Yes	GROUNDING CABLE FOR LCD SUSPENSION
12	2213218	1.0	Yes	POWER CABLE FOR LCD SUSPENSION
13	2376772	1.0	Yes	1-IN 4-OUT RGBHV DISTRIBUTION AMP
27	2384323	10.0	Yes	75 OHM TERMINATOR
28	2384324	1.0	Yes	DVI TO HD15 CONVERTER
1	46-302200P10	1.0	No	1.72 X 1.10, MODEL#, SN, DATE, DESC.
8	2213216	1.0	No	GROUNDING CABLE FOR LCD-CONSOLE TO LCD
10	2213219	1.0	No	POWER CABLE FOR LCD-CONSOLE TO LCD
14	2376770-2	1.0	No	5 BNC MALE TO HD15 MALE (6 FT)
16	2376771	1.0	No	5 BNC MALE TO HD15 FEMALE (6 FT)
17	2223870	1.0	No	SONATA HARDWARE COLLECTOR KIT
18	2200583-100	1.0	No	CT/I (SONATA) UPGRADE MANUAL

Table 4-4 Boom-in-a-Room for Linux (2376773 BOM, Rev 2)

MARK	NUMBER	QTY	FRU	DESCRIPTION
19	2211224-100	1.0	No	LIGHTSPEED QX/I OPTIONS INSTALLATION
25	2212092	1.0	No	CEILING PLATE ASSEMBLY FOR LCD
26	2300059	1.0	No	HANDLE FOR LCD DISPLAY MONITOR

Table 4-4 Boom-in-a-Room for Linux (2376773 BOM, Rev 2) (Continued)

Section 3.0 — HS/LS Remote Color (LNX) Monitor (B7530LC)

MARK	NUMBER	QTY	FRU	DESCRIPTION
1	2377146	1.000	No	REMOTE MONITOR KIT FOR LI (For further detail, see Section 3.1.)

Table 4-5 HS/LS Remote Color (LNX) Monitor (B7530LC BOM, Rev 0)

3.1 Remote Monitor Kit (2377146)

MARK	NUMBER	QTY	FRU	DESCRIPTION
1	2406043	1.0	Yes	22 IN COLOR CRT MONITOR
1A	2333243	1.0	Yes	21 IN COLOR CRT MONITOR
1A	2254212	ALT	Yes	SONY GDM-5402T9 21" COLOR
2	2376772	1.0	Yes	1-IN 4-OUT RGBHV DISTRIBUTION AMP
3	2384322	1.0	Yes	5 BNC MALE TO HD15 MALE - 75 FT PLENUM RATED (
6	2384323	10.0	Yes	75 OHM TERMINATOR
7	2384324	1.0	Yes	DVI TO HD15 CONVERTER
4	2376770-2	1.0	No	5 BNC MALE TO HD15 MALE
5	2376771	1.0	No	5 BNC MALE TO HD15 FEMALE

Table 4-6 Remote Monitor Kit (2377146 BOM, Rev 2)

Chapter 5

DST (HP60) Additions

This chapter lists the differences that are present in the GOC4 console as used on a DST (HP60) PET/CT system.

Note: As of the date of release of this publication, the kits described in this chapter were not finalized. While the information was deemed reliable, it is not guaranteed accurate.

MARK	NAME	QTY	FRU	DESCRIPTION
1	5111245	1.0	No	GRE Console PET Upgrade Kit (For further detail, see Section 1.0, beginning on page 104.)
2	5111626	1.0	No	Console Collector Kit. GOC3 on DST (For further detail, see Section 2.0, beginning on page 105.)

Table 5-1 DISCOVERY CONSOLE UPDATE

Section 1.0 — GRE Console PET Upgrade Kit (5111245)

FRU = NO

MARK	NUMBER	QTY	FRU	DESCRIPTION
1	2354735	1	Yes	SWITCH, ETHERNET, 8 PORT
7	2346122-8	1	Yes	CABLE, ETHERNET, RJ45/RJ45, RW
9	46-302200P3	1	Yes	MODIFIED BY KIT, SERIAL #, MODEL# DESCRIPTION & MANUFACTURED DATE 2.25 X 1.79 PLATE
11	2142226	1	Yes	POWER CORD FOR EMC AREA
12	5111653	1	Yes	DST 4th Disk Drive Kit
13	2282300	1	Yes	8 PIN SHIELDED PANEL MOUNT COUPLER
100	46-208713P2	1	Yes	CLAMP OR CLIP CABLE OD 0.1875~ (REVIEWED TK, 7/91).
101	46-208718P2	1	Yes	5/16 ID LOOP TYPE TA MFG CO. TA713D5
103	46-328430P2	6	Yes	WASHER PLAIN - NORMAL 4.3 MM 9 MM ZINC PLATED, STEEL
104	46-328432P2	6	Yes	WASHER LOCK - SPRING 4.1 MM 7.6 MM ZINC PLATED, SPRING STEEL
105	46-328417P4	6	Yes	SCREW HEXAGON SOCKET 4 MM 12 MM ZINC PLATED, STEEL
2	2315482-4	1	No	VELCRO TAPE LENGTH IS 500
3	2315482	1	No	VELCRO TAPE LENGTH IS 320
5	5111403	1	No	Bracket Ethernet Switch Mounting GRE Console PET
6	5111402	1	No	Bulkhead Panel Cable Connection GRE Console PET
8	2346122-7	1	No	CABLE, ETHERNET, RJ45/RJ45, RW
10	5111405	1	No	THIS DOCUMENT MUST SHIP WITH PRODUCT, Global Console Mobile Upgrade for DST

Table 5-2 GRE Console PET Upgrade Kit (5111245 BOM Rev 3)

Section 2.0 — Console Collector Kit, GOC3 on DST (5111626)

FRU = NO

MARK	NUMBER	QTY	FRU	DESCRIPTION
3	2354735	1	Yes	SWITCH, ETHERNET, 8 PORT
4	2142226	1	Yes	POWER CORD FOR EMC AREA
5	2346122-5	4	Yes	CABLE, ETHERNET, RJ45/RJ45, RW
6	2336374	1	Yes	DLS-SCIM CONSOLE PURCASHED ASM
7	2364758	1	Yes	KVM SWITCH,2 PORT W/TYPEMATIC ADJ
8	2260842	2	Yes	6~ VGA CABLE
11	2337414	2	Yes	DVD RAM MEDIA, 9.4 GB
15	46-276217P1	4	Yes	FERRITE BEADS/FILTERS (2) FERRITE CORE HALVES. Z@100MHZ=275 OHMS, @25MHZ=160 OHMS +/- 20% .25~ MAX CABLE DIA, 1.3~ X .7~ CASE .25~ MAX CABLE DIA. COMBINATION NYLO N CASE AND (2) FERRITE CORE HALVES. (DWG REV 4/92, JFK - OK).
18	2364776	4	Yes	PS/2 CABLE, 6 FT, M/M
	5121219	1	Yes	DST 16 Slice M5 GOC3 Software Kit with CTAC Patch
	5121220	1	Yes	DST 4-8 Slice GOC3 Software Kit with CTAC Patch
2	5114735	1	No	Base PET option, Linux (For further detail, see Section 2.1.)
21	5132100	1	No	IDL Runtime SW License for LINUX
22	2284884	4	No	VXWORKS 5.4 LICENCE

Table 5-3 Console Collector Kit. GOC3 on DST (5111626 BOM, Rev 9)

2.1 Base PET Option, Linux (5114735)

FRU = NO

MARK	NAME	QTY	FRU	DESCRIPTION
1	2337414	1.0	Yes	DVD RAM MEDIA, 9.4 GB
2	46-302200P7	1.0	Yes	SERIAL #, MODEL# DESCRIPTION & MANUFACTURED DATE 2.25 X 1.40 PLATE

Table 5-4 Base PET option, Linux (5114735 BOM, Rev 1)

End of Chapter.

© 2005, General Electric Company.

GE Medical Systems, a General Electric Company, going to market as GE Healthcare.

3000 N. Grandview Boulevard

Waukesha, Wisconsin 53188

USA

www.gehealthcare.com

