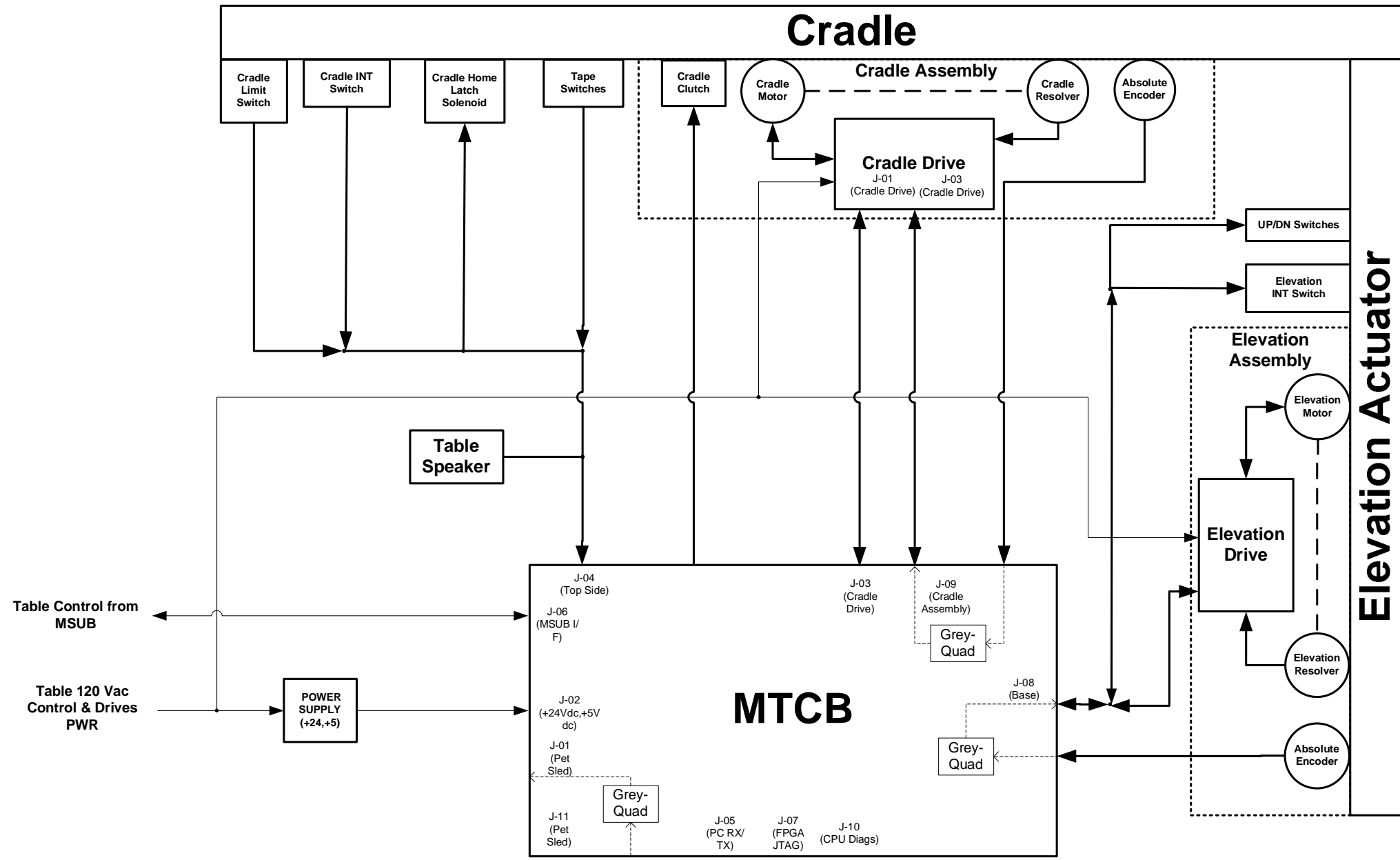


H-Power Table Block Diagram



REV --- PCN ----- DESCRIPTION ----- MADE BY -----	APP BY ----- DATE -----	MADE BY: GEORGE CAO DATE: FEB 10, 2004	DESIGN TITLE H-POWER TABLE BLOCK DIAGRAM FIRST MADE FOR H-POWER FUNC
REV --- PCN ----- DESCRIPTION ----- MADE BY -----	APP BY ----- DATE -----	ELECTRONIC RELEASE PROCESS NOT DESIGN RELEASED	2399618SCH
			REV 1 SIZE B SHEET 4 OF 6