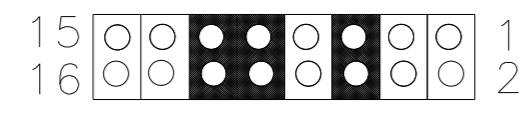
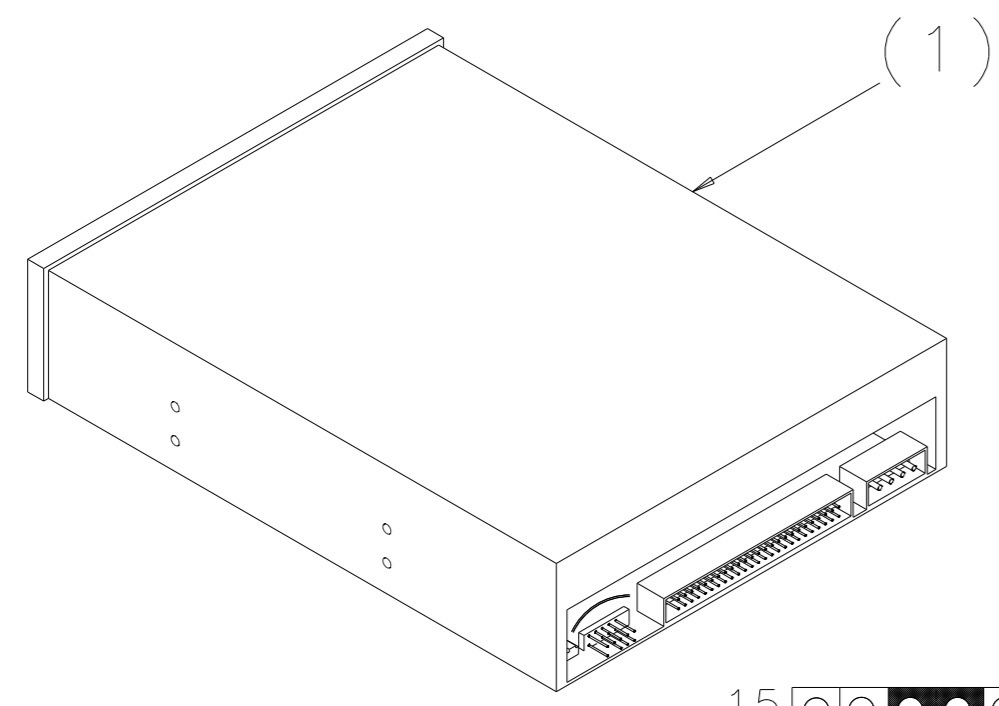
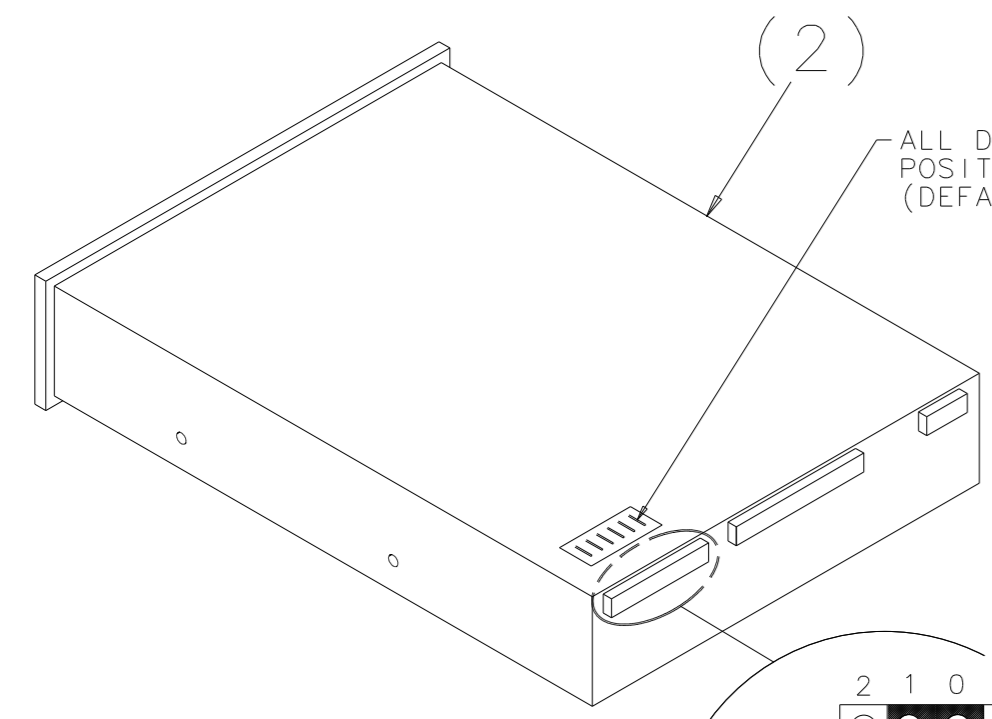


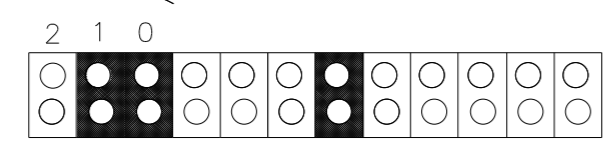
REVISIONS						
REV	QTY	MADE BY	CH	DATE	PCN/F22 NO.	DESCRIPTION
B		GENE GRUBER		03JAN23	NCN	ITEM 2 WAS 1, ITEM 1 WAS 2 AT C8; REVISED JUMPERS ITEM 2



JUMPER VIEW
DVD RAM
SCSI ID SETTING - 4

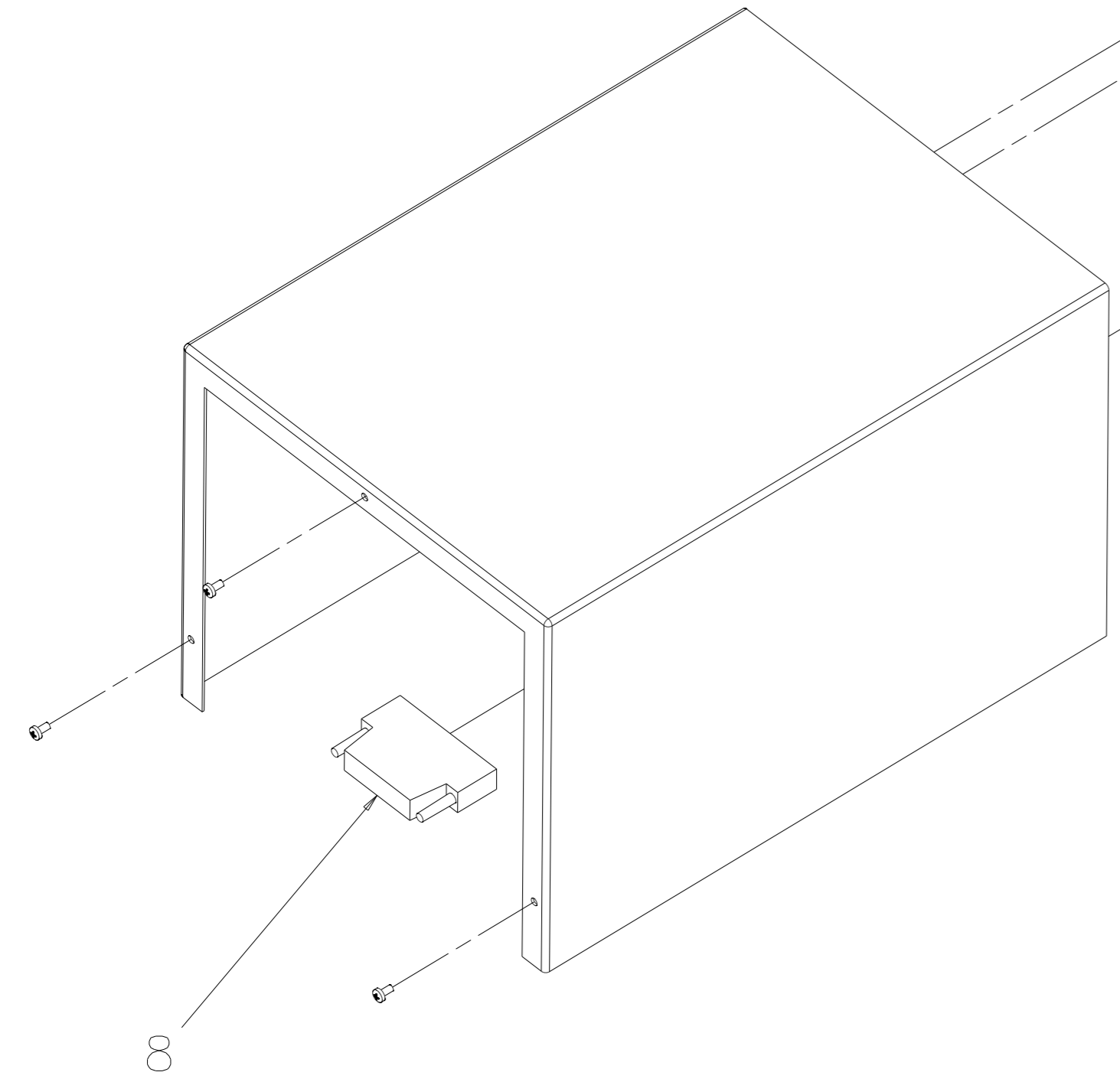
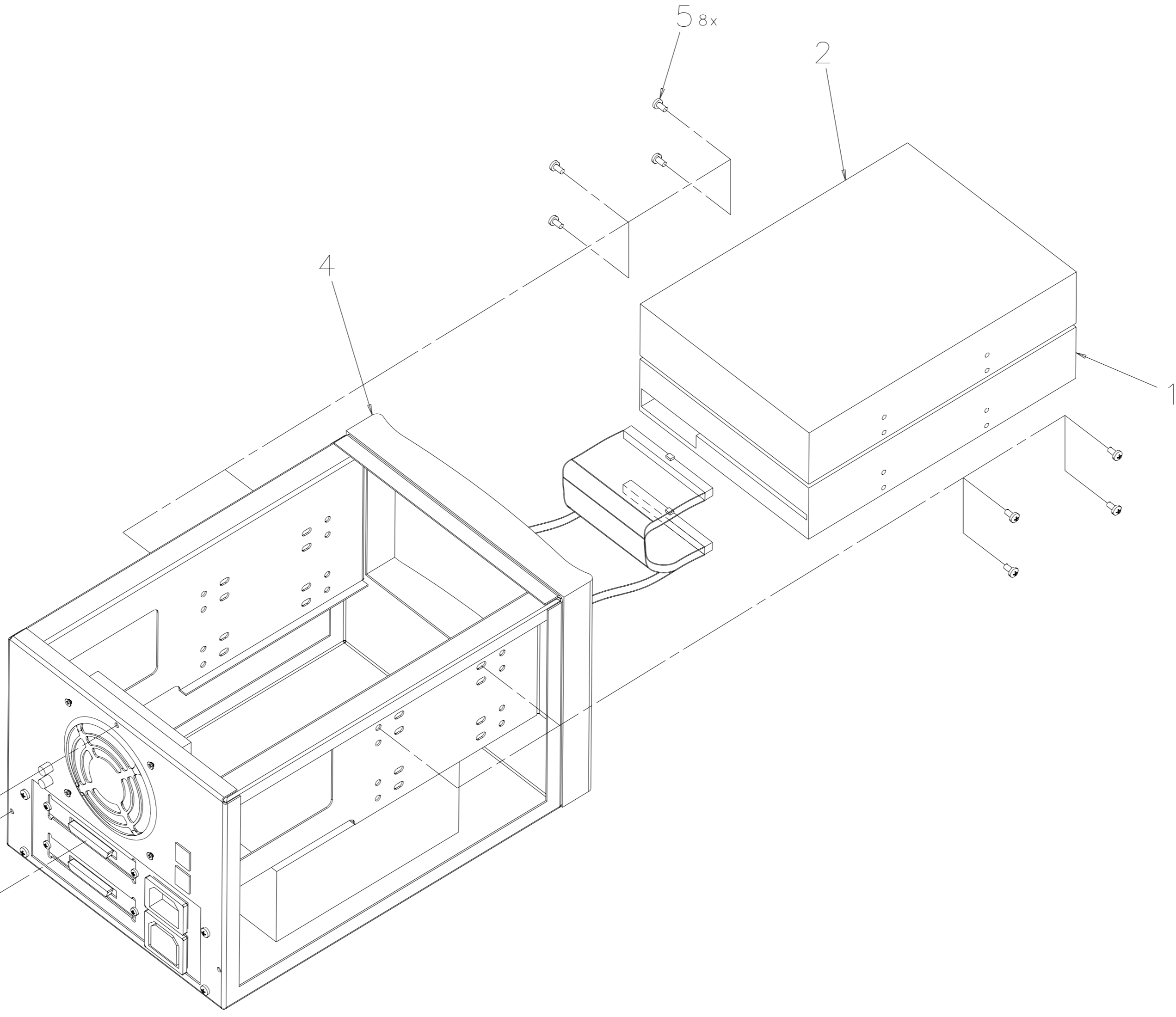


ALL DIP SWITCH POSITIONS "OFF" (DEFAULT)



JUMPER VIEW
MOD DRIVE
SCSI ID SETTING - 3

JUMPER VIEW
MOD



NOTES:

- INTERNAL POWER CABLE AND SCSI CABLE, WHICH CONNECT INTO MARK 1 & MARK 2 ARE PART OF MARK 4.
- SCSI ID SETTINGS ON BACK OF ENCLOSURE, MARK 4, ARE NOT TO BE CONNECTED.
- INSERT MARK 8 IN A PLASTIC BAG AND ATTACH TO BACK OF ENCLOSURE DURING SHIPPING.
- POWER CABLE TO BE SHIPPED WITH ASSEMBLY.

THIS PART TO BE LABELED PER GEMS DWG 46-274914, CLASS II, LABEL PLACEMENT ON BOTTOM OF ENCLOSURE

PHYSICAL ID: 2368838

MATERIAL:		FINISH:		SURFACE ROUGHNESS		
				THIRD ANGLE PROJECTION		
METRIC		APPLIED PRACTICES		THIRD ANGLE PROJECTION		
ISO "MEDIUM SERIES"		DIMENSIONS WITHOUT TOLERANCE INDICATION				
NOMINAL DIMENSION#	0,5 TO 6	OVER 6 TO 30	OVER 30 TO 120	OVER 120 TO 315	OVER 315 TO 1 000	OVER 1 000 ANGLES TO 2 000
PERMISSIBLE VARIATIONS	±0,1	±0,2	±0,3	±0,5	±0,8	±1,2 ± 1°
TITLE		REV				
SCSI TOWER ASSY - DVD, RAM, MOD		0				
FIRST MADE FOR: GLOBAL CONSOLE						
MADE BY	ISSUED	GE MEDICAL SYSTEMS MILWAUKEE, WI		2368838ADW		
GENE GRUBER	03JAN21			SHEET 1 OF 1		
JOHN BURIE	03JAN29					

FIRST DESIGNED IN CONJUNCTION WITH: