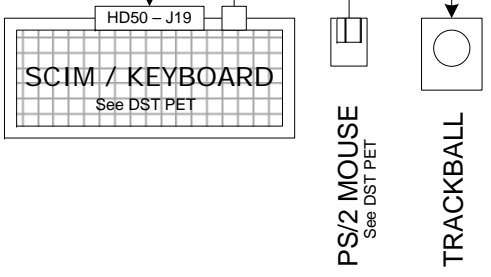
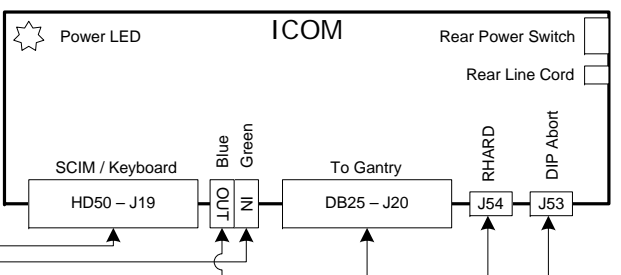
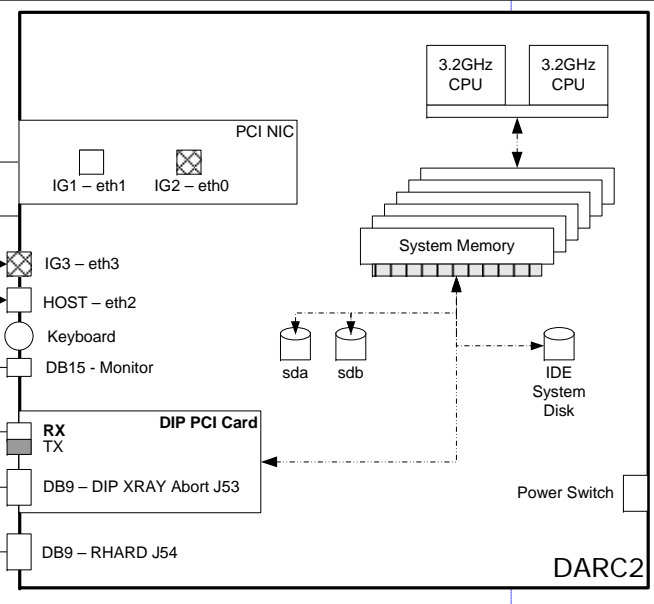
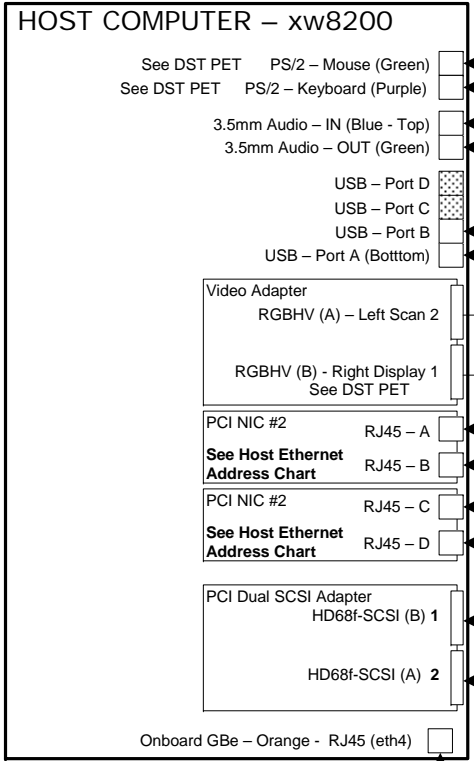
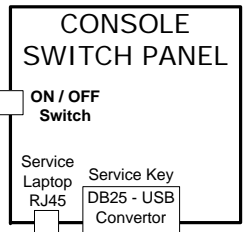


### HOST ETHERNET ADDRESS CHART

Physical Port	Name	xw8000	xw8200
A	HSP	eth0	eth2
B	TBL	eth1	eth3
C	DARC	eth2	eth0
D	GANTRY	eth3	eth1



REVISIONS				REVISIONS				APPROVALS		DD/MM/YY	TITLE	REV	SIZE
REV	MADE BY	DATE	PCN NO.	DESCRIPTION	REV	MADE BY	DATE	PCN NO.	DESCRIPTION	MADE			
1	C.Hemmerly	07/05/06		Jarrell design release						CHECK			
2	C.Hemmerly	07/31/06		Modified host computer. Added "Host Address Chart"						APPR			
										OTHER			

FIRST MADE FOR: GOC4 - XW8200, JARRELL

GE HEALTHCARE MILWAUKEE, WI

**2377708-556ADW**

SHEET 1 of 1

