

---

# **Chapter 5**

## **CONSOLE**

---

Section 1.0 : All-in-one console assembly for BSD delight power 16 (2377708-560), Page396.

Section 2.0 : GOC4 - 16slice MDAS & GDAS with xw8200, 1IG and Ethernet Switch (2377708-120), Page422.

Section 3.0 : GOC4 - 16Slice MDAS & GDAS with xw8200, 1IG and Ethernet Switch, JARRELL (2377708-520), Page441.

Section 4.0 : LCGOC - 4/8 slice MDAS & GDAS with xw8200, Ethernet Switch (5377708-120), Page453.

Section 5.0 : LCGOC - 4/8 Slice MDAS & GDAS with xw8200, Ethernet Switch, JARRELL (5377708-520), Page467.

Section 6.0 : Sigle Piece Desktop Kit for Freedom Workspace (5166834), Page481.

Section 7.0 : Freedom Workspace Side by Side Kit (5166569), Page483.

Section 8.0 : Associated Items, Page487.

Section 9.0 : Options, Page496.

## Section 1.0 — All-in-one console assembly for BSD delight power 16 (2377708-560)

FRU = NO

MARK	NUMBER	QTY	FRU CODE	DESCRIPTION/NAME
2	2337414	2.0	Yes	DVD RAM MEDIA, 9.4 GB
3	5132092	1.0	Yes	Three Button Optical Mouse
1	5378862-560	1.0	No	AIO in one console for BSD delight
4	5317249	1.0	No	AIO console for BSD Power 16

Table 5-1 All-in-one console assembly for BSD delight power 16 (2377708-560 BOM, Rev 4)

# 1.1 All-In-One Console (5378862-560)

FRU = NO

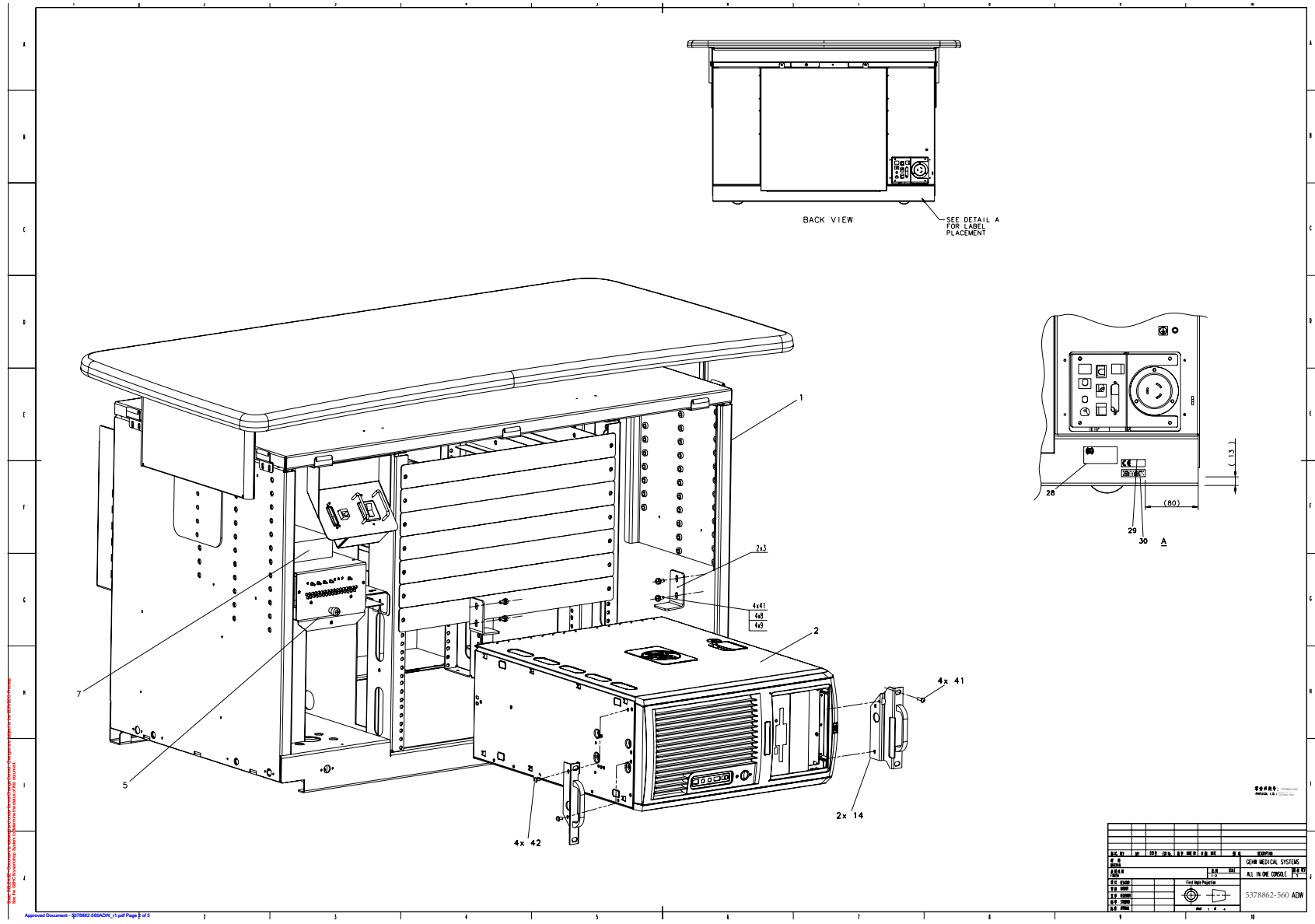


Figure 5-1 All-In-One Console (5378862-560ADW, Sheet1, Rev 1)

REV	BY	CHKD	DATE	DESCRIPTION
001				INITIAL RELEASE
002				REVISION 9
003				REVISION 9
004				REVISION 9
005				REVISION 9
006				REVISION 9
007				REVISION 9
008				REVISION 9
009				REVISION 9
010				REVISION 9

REV	BY	CHKD	DATE	DESCRIPTION
001				INITIAL RELEASE
002				REVISION 9
003				REVISION 9
004				REVISION 9
005				REVISION 9
006				REVISION 9
007				REVISION 9
008				REVISION 9
009				REVISION 9
010				REVISION 9

REV	BY	CHKD	DATE	DESCRIPTION
001				INITIAL RELEASE
002				REVISION 9
003				REVISION 9
004				REVISION 9
005				REVISION 9
006				REVISION 9
007				REVISION 9
008				REVISION 9
009				REVISION 9
010				REVISION 9

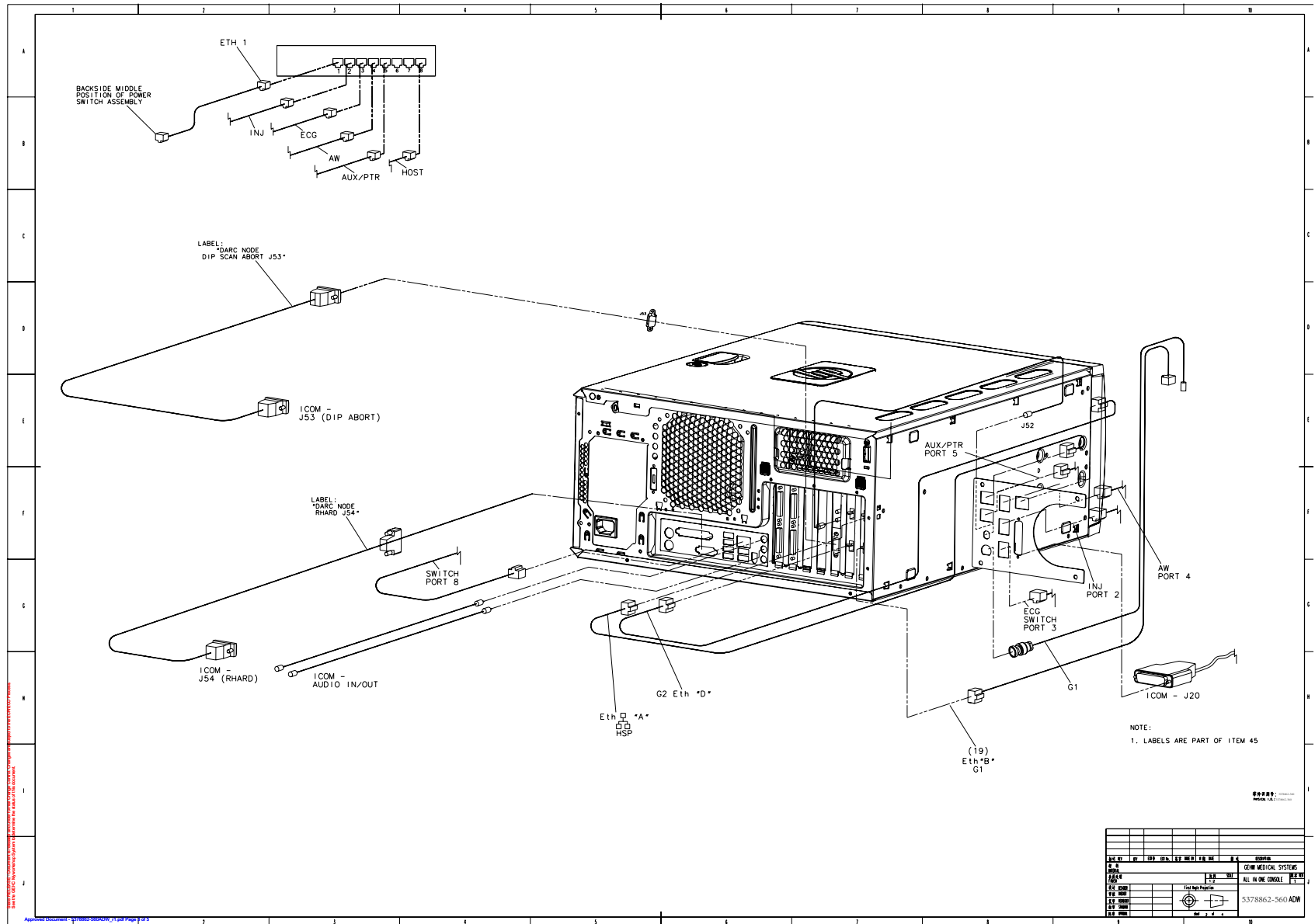


Figure 5-2 All-In-One Console (5378862-560ADW, Sheet2, Rev1)

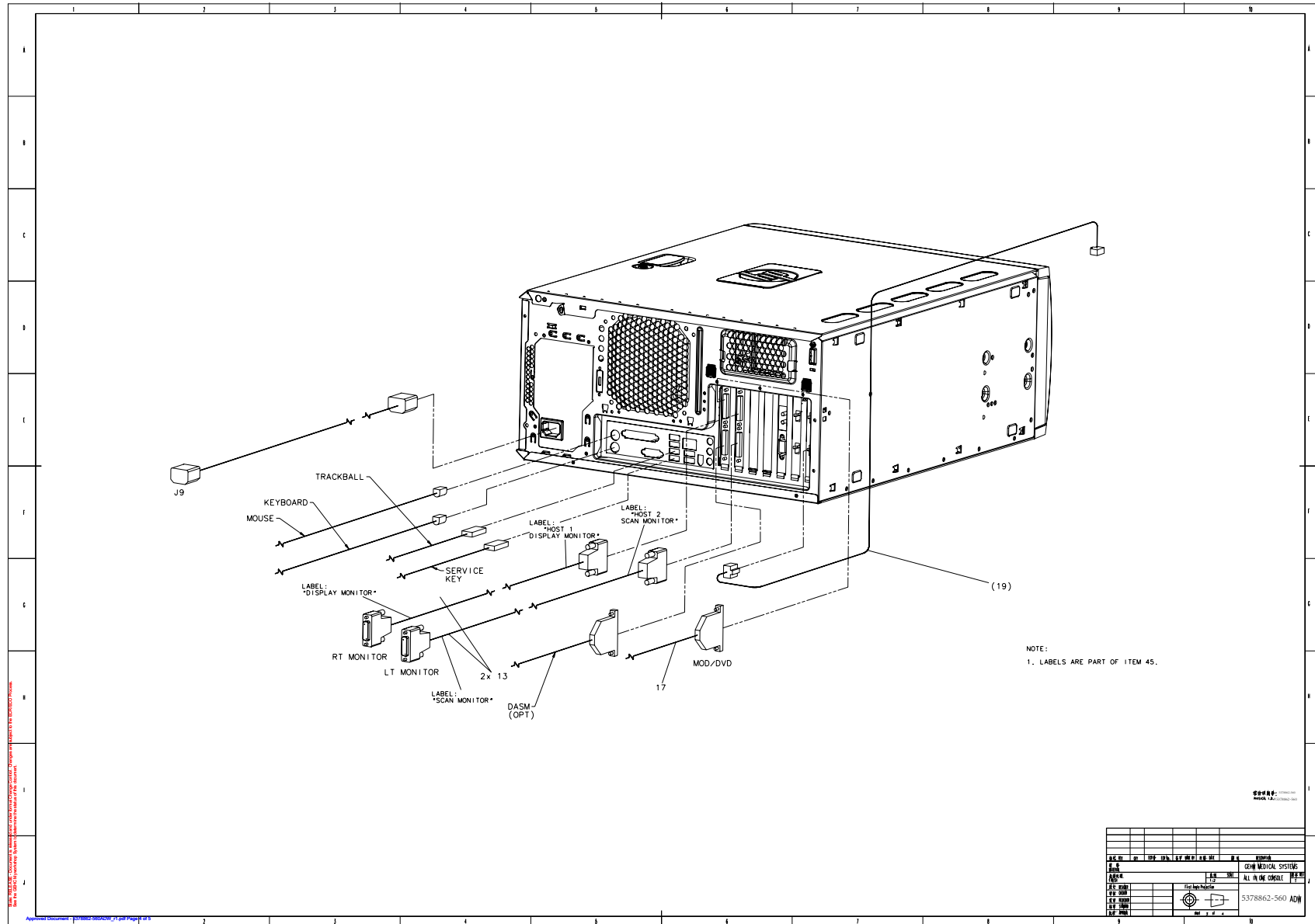


Figure 5-3 All-In-One Console (5378862-560ADW, Sheet3, Rev1)

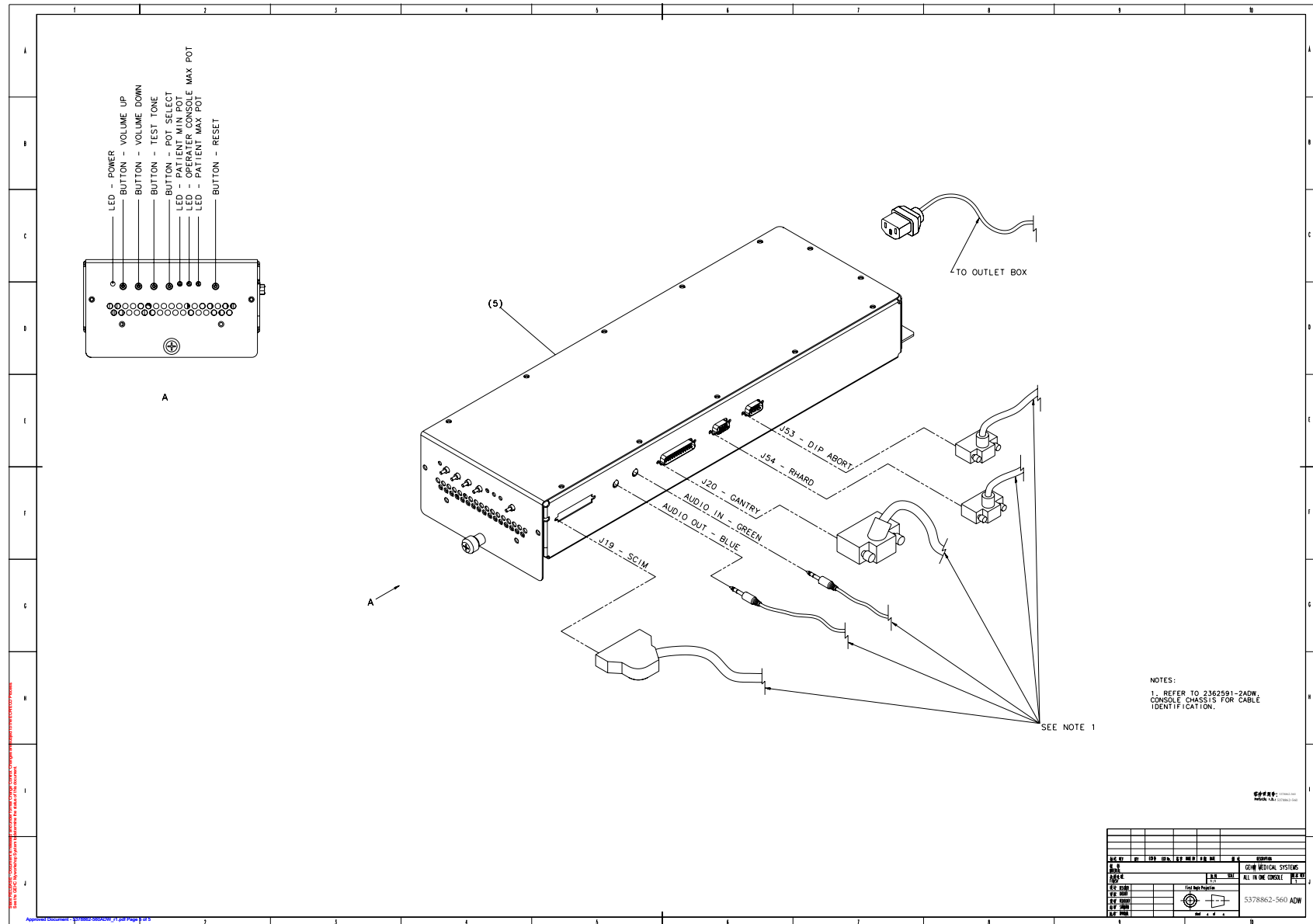


Figure 5-4 All-In-One Console (5378862-560ADW, Sheet4, Rev1)

MARK	NUMBER	QTY	FRU CODE	DESCRIPTION/NAME
5	2404320-2	1.0	Yes	CONSOLE INTERCOM PRESCRIBED-TILT HUB
6	5116391-2	1.0	Yes	SCSI Tower ASSY
7	5115334	1.0	Yes	Switch, Ethernet 8-port GBe
8	N9501WS	4.0	Yes	WASHER PLAIN - LARGE 5.3 MM 10 MM WASHER M5
9	46-313575P3	4.0	Yes	HIGH COLLAR LOCK WASHER FOR M5 SCREW
11	5128181	1.0	Yes	Cover Assy - Console Front
13	2304737-2	2.0	Yes	CABLE, DVI VIDEO CABLE - OCTANE II
17	2324697-3	1.0	Yes	SCSI cable assembly
19	5127222-2	1.0	Yes	Cable, Ethernet, 2ft Lg - CAT5e, 4 twisted pair, 24awg solid copper, Shielded - aluminized polyester and tinned copper, gray PVC jacket, snagless PVC boot, Plugs - UL94V-0 rated polycarbonate with metallic strain relief, EIA-TIA568, UL listed, CMR rated,
25	46-136246P14	60.0	Yes	2~ WIDE, WHT, ADH BACK, VELCRO LOOP 25 YD
26	46-136246P21	60.0	Yes	2~ WIDE X 25 YD WHITE VELCRO HOOKS
27	46-208781P2	4.0	Yes	WRITE-ON LABEL FOR MARKING CABLES WHITE ADHESIVE BACKED 0.75~ X 1.90~. UNMARKED, 2,500 PC FAN-FOLD SHEETS (FULL SIZE = 1.9~ X 3.15~.)
29	2117390-2	1.0	Yes	CE Compliance and WEEE Labels
30	2132620	1.0	Yes	EMC LABEL CLASS A GROUP 1
42	2103585-2	4.0	Yes	SCREW PAN HEAD 4 MM 10 MM SPRING WASHER, ZINC PLATED, STEEL
43	46-208758P2	5.0	Yes	5.5~ X .140~ SELF-LOCKING CABLE TIE. 1/16~ TO 1-1/4~ WIRE BUNDLE RANGE. 30LB TENSILE STRENGTH, NYLON MATR~L.
44	46-208747P1	1.0	Yes	ADHESIVE MOUNT - CABLE TIE PANDUIT CORP, ABMM-A(STYLE A)
47	46-208758P3	2.0	Yes	7.31~ X .184~ SELF-LOCKING CABLE TIE 1/16~ TO 1-3/4~ WIRE BUNDLE RANGE. 50LB TENSILE STRENGTH, NYLON MATR~L.
1	5165396-2	1.0	No	FWS GOC4 chassis,make parts.
2	5310601	1.0	No	Host Computer Assembly
3	5309829	2.0	No	Host Bracket
14	2366442-27	2.0	No	BRACKET, RACK MOUNT HOST COMPUTER

Table 5-2 All-In-One Console (5378862-560 BOM, Rev 2)

MARK	NUMBER	QTY	FRU CODE	DESCRIPTION/NAME
28	5133331	1.0	No	ETL Label for OC
33	2240540	1.0	No	NETSCAPE LICENSE
41	46-312358P51	8.0	No	M5 X 0.8 X 12MM METRIC FREEDRIV ZINC PLATED CROSS RECESSED PAN HEAD MACHINE SCREW
45	5194414-2	1.0	No	Cable Labels for GRE
46	2385779	2.0	No	PANEL - COVER

Table 5-2 All-In-One Console (5378862-560 BOM, Rev 2)



1.1.1 FWS GOC4 CHASSIS ASSEMBLY (5165396-2)

FRU = NO

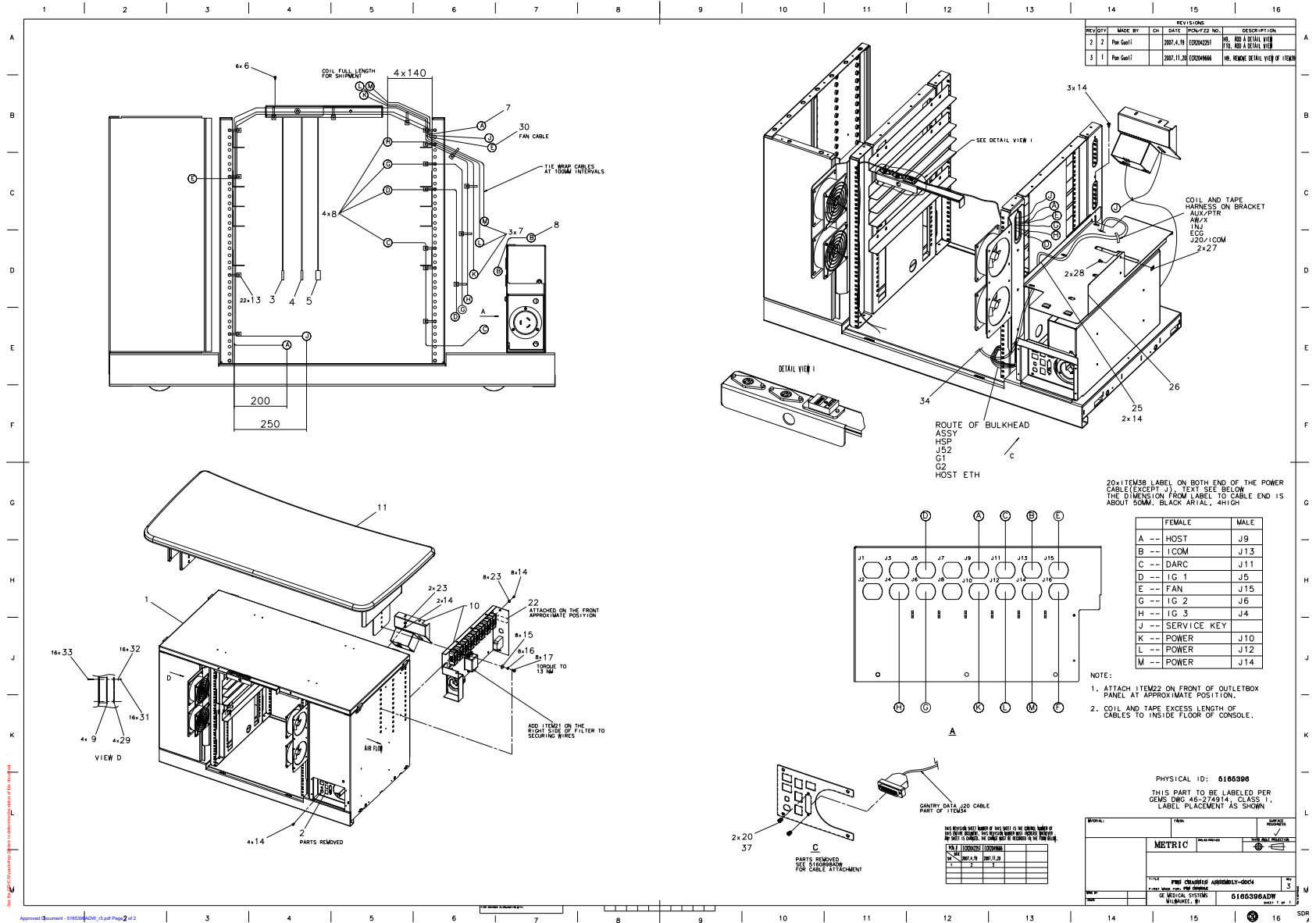


Figure 5-5 FWS GOC4 chassis Assembly (5165396-2ADW, refer to 5165396 ADW, Sheet1, Rev3)

MARK	NUMBER	QTY	FRU CODE	DESCRIPTION/NAME
2	5160898	1.0	Yes	SubAssy, GRE Console Rear Bulkhead
3	2315117	1.0	Yes	CABLE, PS/2 MOUSE CABLE, LINUX
4	2315117-2	1.0	Yes	CABLE, PS/2 KEYBOARD CABLE, LINUX
5	5123478	1.0	Yes	Cable, USB Bulkhead, USB-Af to USB-Am x 3ft Lg
6	46-328421P3	6.0	Yes	SCREW PAN HEAD 2.5 MM 5 MM ZINC PLATED, STEEL
7	2142225	4.0	Yes	MONITOR POWER CORD
8	2142226	5.0	Yes	POWER CORD FOR EMC AREA
9	5124071	4.0	Yes	Fan, Tube Axial - 115VAC, 50-60Hz, 119mm x 119mm x 25mm x 95-115cfm, ball bearing motor - Sinwan S125AP-11-1
13	46-208758P3	22.0	Yes	7.31~ X .184~ SELF-LOCKING CABLE TIE 1/16~ TO 1-3/4~ WIRE BUNDLE RANGE. 50LB TENSILE STRENGTH, NYLON MATR~L.
14	2103585	19.0	Yes	SCREW PAN HEAD 4 MM 8 MM SPRING WASHER, ZINC PLATED, STEEL
15	46-328431P2	8.0	Yes	WASHER PLAIN - LARGE 6.4 MM 18 MM ZINC PLATED, STEEL
16	2109881-3	8.0	Yes	WASHER LOCK - INTERNAL 6.4 MM 11 MM
20	46-221417P4	2.0	Yes	FEMALE SCREWLOCKS FOR HD CONNECTORS. 4-40 THREAD, 0.470 OVERALL LENGTH YELLOW CHROMATE, TWO PER KIT. 0.312 BOTTOM, 0.094 PANEL THK. MAX KIT INCLUDES NUTS AND WASHERS See drawing for approved vendor
21	46-208747P1	1.0	Yes	ADHESIVE MOUNT - CABLE TIE PANDUIT CORP, ABMM-A(STYLE A)
23	46-328431P1	10.0	Yes	WASHER PLAIN - LARGE 4.3 MM 12 MM ZINC PLATED, STEEL
28	46-328417P5	2.0	Yes	SCREW HEXAGON SOCKET 4 MM 16 MM ZINC PLATED, STEEL
29	46-272301P11	4.0	Yes	FAN ACCESSORIES FINGER GUARD PAPST LZ30
30	5127629	1.0	Yes	Cable Assy - Exhaust Fan Power
31	2381089-3	16.0	Yes	SCREW, SS NYLOCK HEX NUT, M4
32	46-328430P2	16.0	Yes	WASHER PLAIN - NORMAL 4.3 MM 9 MM ZINC PLATED, STEEL
33	46-312358P44	16.0	Yes	M4 X 0.7 X 35MM METRIC FREEDRIV ZINC PLATED CROSS RECESSED PAN HEAD MACHINE SCREW
34	5128406	1.0	Yes	Assy, ICOM cable harness for GOC4
37	46-170686P3	0.0	Yes	LOCTITE 242, 50CC 12 MONTH SHELF LIFE FROM DATE OF SHIPMENT FROM THE MANUFACTURER.

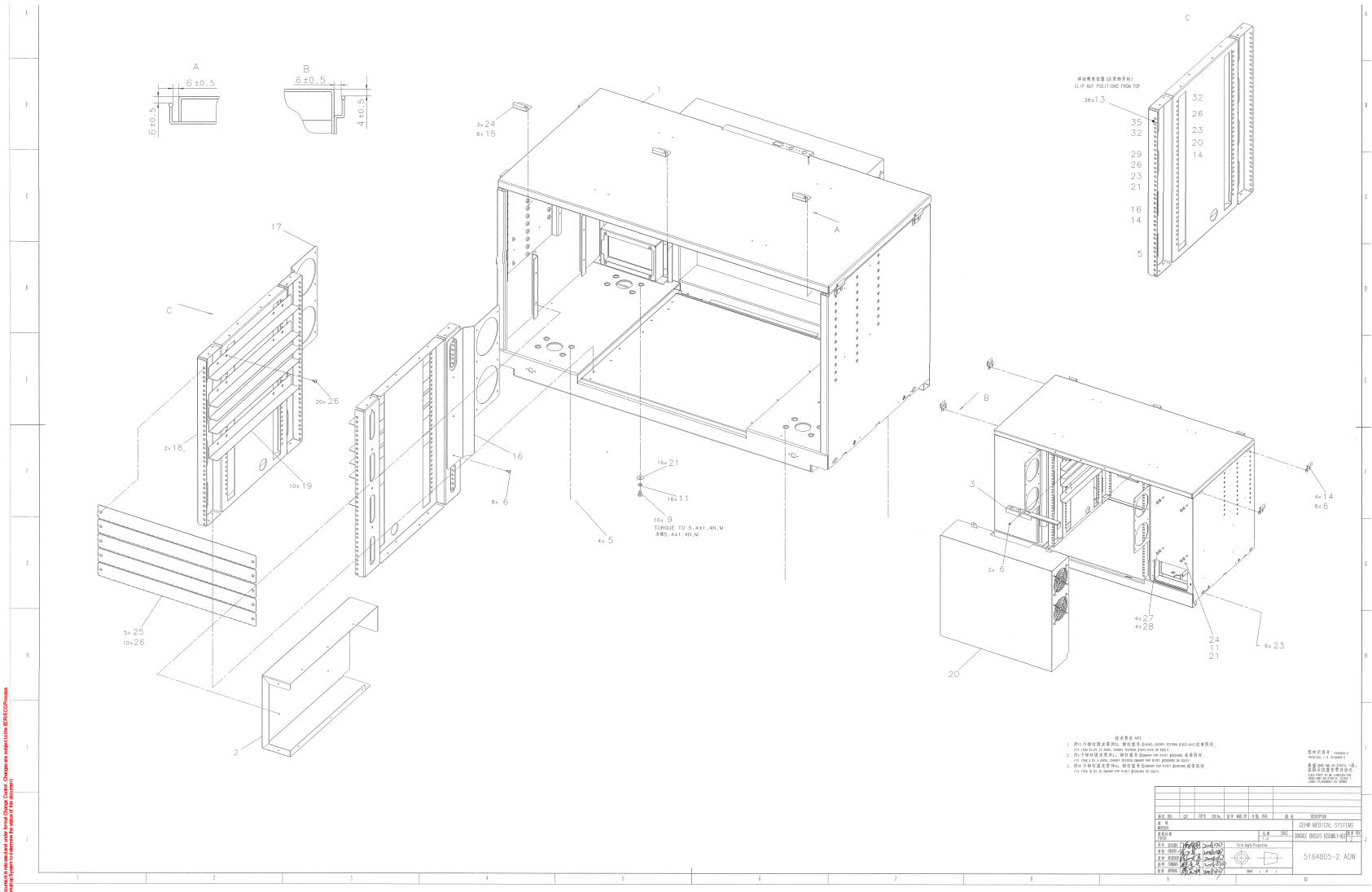
Table 5-3 FWS GOC4 chassis Assembly (5165396-2 BOM, Rev 2)

MARK	NUMBER	QTY	FRU CODE	DESCRIPTION/NAME
1	5164805-2	1.0	No	AIO, console chassis assembly-HLB
10	5162696	1.0	No	GOC4 Outlet Box Assy
11	2385780	1.0	No	TABLE TOP ASSEMBLY, MONITOR
17	2337083-2	8.0	No	SCREW, M6 X 20 SOC HEAD, 12.9 CLASS
22	2150839	1.0	No	CAUTION RECEPTACLES NOT FOR GEN USE
25	5114923-2	1.0	No	Bracket, ICOM Lower
26	5114924-2	1.0	No	Bracket, ICOM Upper
27	5122710	2.0	No	M4 Tapped Hole Speed Nut
38	5166489	1.0	No	GOC4 chassis label

Table 5-3 FWS GOC4 chassis Assembly (5165396-2 BOM, Rev 2)

1.1.1.1 FWS GOC4 CHASSIS (5164805-2)

FRU = NO



零件名稱 序號  
1. 將1.安裝到機架安裝孔，將這些螺絲鎖緊，並將這些螺絲鎖緊到機架安裝孔中。  
2. 將2.安裝到機架安裝孔，將這些螺絲鎖緊，並將這些螺絲鎖緊到機架安裝孔中。  
3. 將3.安裝到機架安裝孔，將這些螺絲鎖緊，並將這些螺絲鎖緊到機架安裝孔中。  
注意：在安裝螺絲時，請務必將螺絲鎖緊到機架安裝孔中，否則可能會導致機架變形。

零件列表		零件名稱		零件序號	
1	FRONT PANEL	2	REAR PANEL	3	RIGHT SIDE PANEL
4	LEFT SIDE PANEL	5	POWER SUPPLY	6	FAN
7	INTERNAL COMPONENT	8	CABLE	9	ROTOR
10	SCREW	11	SCREW	12	SCREW
13	SCREW	14	SCREW	15	SCREW
16	SCREW	17	CHASSIS FRAME	18	CHASSIS FRAME
19	CHASSIS FRAME	20	CHASSIS FRAME	21	CHASSIS FRAME
22	CHASSIS FRAME	23	CHASSIS FRAME	24	CHASSIS FRAME
25	CHASSIS FRAME	26	CHASSIS FRAME	27	CHASSIS FRAME
28	CHASSIS FRAME	29	CHASSIS FRAME	30	CHASSIS FRAME
31	CHASSIS FRAME	32	CHASSIS FRAME	33	CHASSIS FRAME
34	CHASSIS FRAME	35	CHASSIS FRAME	36	CHASSIS FRAME
37	CHASSIS FRAME	38	CHASSIS FRAME	39	CHASSIS FRAME
40	CHASSIS FRAME	41	CHASSIS FRAME	42	CHASSIS FRAME
43	CHASSIS FRAME	44	CHASSIS FRAME	45	CHASSIS FRAME
46	CHASSIS FRAME	47	CHASSIS FRAME	48	CHASSIS FRAME
49	CHASSIS FRAME	50	CHASSIS FRAME	51	CHASSIS FRAME
52	CHASSIS FRAME	53	CHASSIS FRAME	54	CHASSIS FRAME
55	CHASSIS FRAME	56	CHASSIS FRAME	57	CHASSIS FRAME
58	CHASSIS FRAME	59	CHASSIS FRAME	60	CHASSIS FRAME
61	CHASSIS FRAME	62	CHASSIS FRAME	63	CHASSIS FRAME
64	CHASSIS FRAME	65	CHASSIS FRAME	66	CHASSIS FRAME
67	CHASSIS FRAME	68	CHASSIS FRAME	69	CHASSIS FRAME
70	CHASSIS FRAME	71	CHASSIS FRAME	72	CHASSIS FRAME
73	CHASSIS FRAME	74	CHASSIS FRAME	75	CHASSIS FRAME
76	CHASSIS FRAME	77	CHASSIS FRAME	78	CHASSIS FRAME
79	CHASSIS FRAME	80	CHASSIS FRAME	81	CHASSIS FRAME
82	CHASSIS FRAME	83	CHASSIS FRAME	84	CHASSIS FRAME
85	CHASSIS FRAME	86	CHASSIS FRAME	87	CHASSIS FRAME
88	CHASSIS FRAME	89	CHASSIS FRAME	90	CHASSIS FRAME
91	CHASSIS FRAME	92	CHASSIS FRAME	93	CHASSIS FRAME
94	CHASSIS FRAME	95	CHASSIS FRAME	96	CHASSIS FRAME
97	CHASSIS FRAME	98	CHASSIS FRAME	99	CHASSIS FRAME
100	CHASSIS FRAME				

Approved Document - 5164805-2ADW\_2.pdf Page 2 of 2

Figure 5-6 FWS GOC4 chassis (5164805-2ADW, Sheet1, Rev2)

MARK	NUMBER	QTY	FRU	DESCRIPTION
5	2319043	4.0	Yes	CASTER, 2 1/2~ SWIVEL
6	2103585	24.0	Yes	SCREW PAN HEAD 4 MM 8 MM SPRING WASHER, ZINC PLATED, STEEL
9	2109877-2	16.0	Yes	NUT HEXAGON 6 MM
11	2109881-3	25.0	Yes	WASHER LOCK - INTERNAL 6.4 MM 11 MM
13	2180698-2	38.0	Yes	CLIP NUT ASSEMBLY, M5
16	5123484	1.0	Yes	Bracket, Exhaust Fan Mtg - Left
17	5123484-2	1.0	Yes	Bracket, Exhaust Fan Mtg - Right
20	5123485	1.0	Yes	Rear Access Cover - VCT
21	46-328431P2	25.0	Yes	WASHER PLAIN - LARGE 6.4 MM 18 MM ZINC PLATED, STEEL
22	46-170686P3	0.0	Yes	LOCTITE 242, 50CC 12 MONTH SHELF LIFE FROM DATE OF SHIPMENT FROM THE MANUFACTURER.
27	46-328430P3	4.0	Yes	WASHER PLAIN - NORMAL 6.4 MM 12 MM ZINC PLATED, STEEL
28	N9601BS	4.0	Yes	NUT HEXAGON 6 MM NUT M6 2 FE ZN
1	2385112-3	1.0	No	GRE, CHASSIS SUB-ASSEMBLY
2	2385763	1.0	No	REAR MTG PANEL, OUTLET BOX
3	5123480	1.0	No	Bracket, Cable Cover - Dual PS2f, Single USB-Af
14	2385765	4.0	No	BRACKET, SIDE COVER MTG
15	2385766	3.0	No	BRACKET, FRONT COVER MTG
18	2385773	2.0	No	PANEL, RACK MOUNT
19	2385776	10.0	No	BRACKET, RACK MOUNT
23	2376906	6.0	No	SOUTHCO 1/4 TURN RCVR 85-35-295-20
24	2337083-2	1.0	No	SCREW, M6 X 20 SOC HEAD, 12.9 CLASS
25	2385779	5.0	No	PANEL - COVER
26	46-312358P51	30.0	No	M5 X 0.8 X 12MM METRIC FREEDRIV ZINC PLATED CROSS RECESSED PAN HEAD MACHINE SCREW

Table 5-4 FWS GOC4 chassis (5164805-2 BOM, Rev 2)

**REAR ACCESS COVER - VCT (5123485)**

FRU = YES

MARK	NUMBER	QTY	FRU CODE	DESCRIPTION/NAME
2	46-272301P11	4.0	Yes	FAN ACCESSORIES FINGER GUARD PAPST LZ30
3	2381089-3	16.0	Yes	SCREW, SS NYLOCK HEX NUT, M4
5	5124020	3.0	Yes	Foam, Sound Absorbing - 54in Wd x 1in Thick
4	5125042	4.0	No	Gasket, Foam - Exhaust Fan
6	5131360	1.0	No	Label, Keyboard Mouse Trackball

**Table 5-5 Rear Access Cover - VCT (5123485 BOM, Rev 6)**

1.1.1.2 SUBASSY, GRE CONSOLE REAR BULKHEAD (5160898)

FRU = YES

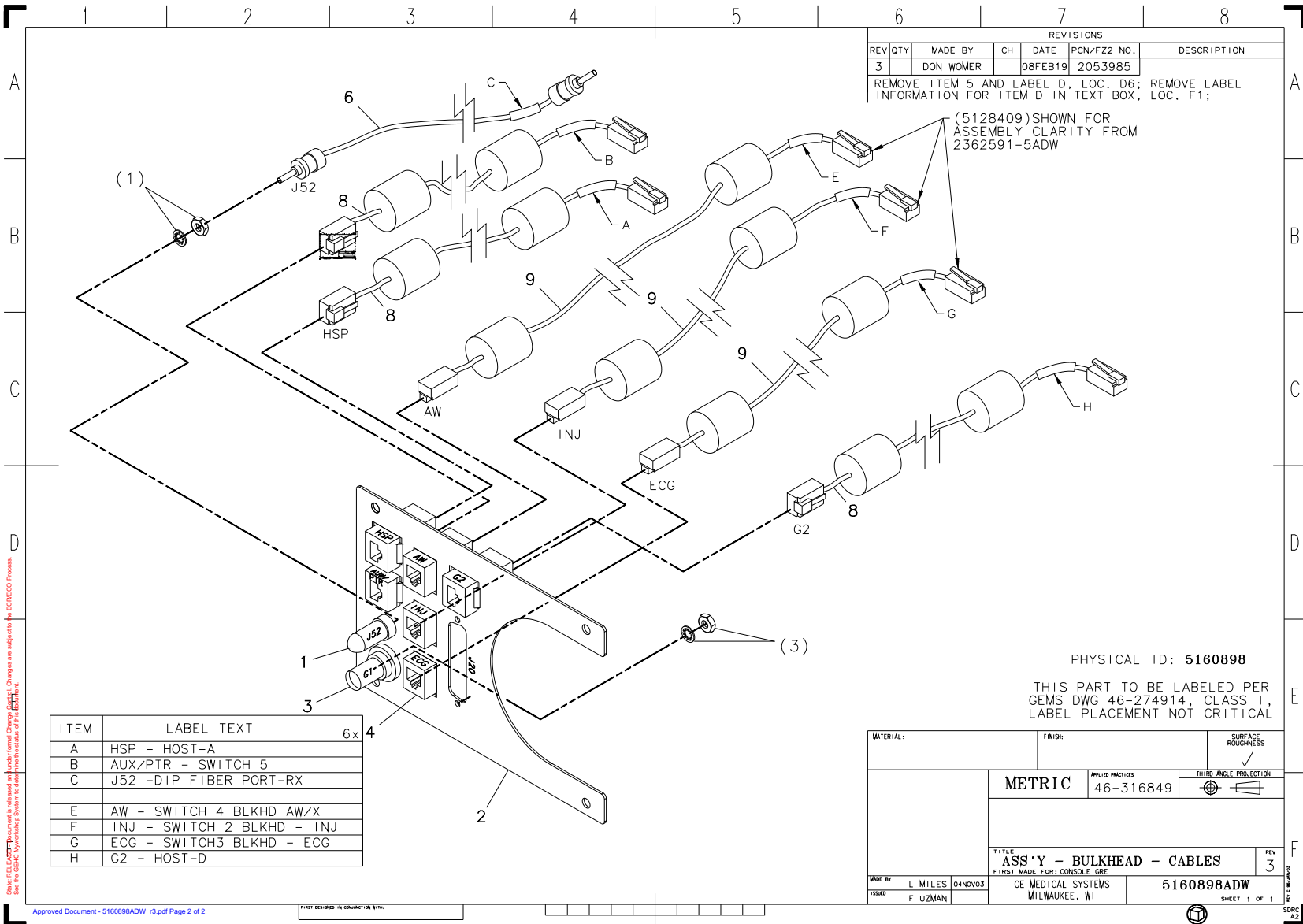


Figure 5-7 SubAssy, GRE Console Rear Bulkhead (5160898ADW, Sheet1, Rev3)

MARK	NUMBER	QTY	FRU CODE	DESCRIPTION/NAME
1	2265406	1.0	Yes	FIBER-OPTIC COUPLING RECEPTACLE KIT, 2.5MM BAYONET, AMP OPTIMATE
4	5122589	6.0	Yes	Adapter, Bulkhead RJ45 CAT5e Shielded, L-com #TDG1026KS-C5E
8	5127222-3	3.0	Yes	Cable, Ethernet x 3ft Lg - CAT5e, 4 twisted pair, 24awg solid copper, Shielded - aluminized polyester and tinned copper, gray PVC jacket, snagless PVC boot, Plugs - UL94V-0 rated polycarbonate with metallic strain relief, EIA-TIA568, UL listed, CMR rated,
9	5128409	1.0	Yes	Assy, Gbe cable harness for VCT console
2	5160899	1.0	No	Bulkhead Panel, GRE Console Rear Cable Connections
3	2374957	1.0	No	ADAPTER - BULKHEAD BNC JACK-JACK
6	2318713-2	1.0	No	CABLE-FIBER OPTIC ST-SC X 3FT

**Table 5-6 SubAssy, GRE Console Rear Bulkhead (5160898 BOM, Rev 4)**



**ASSY, GBE CABLE HARNESS (5128409)**

FRU = YES

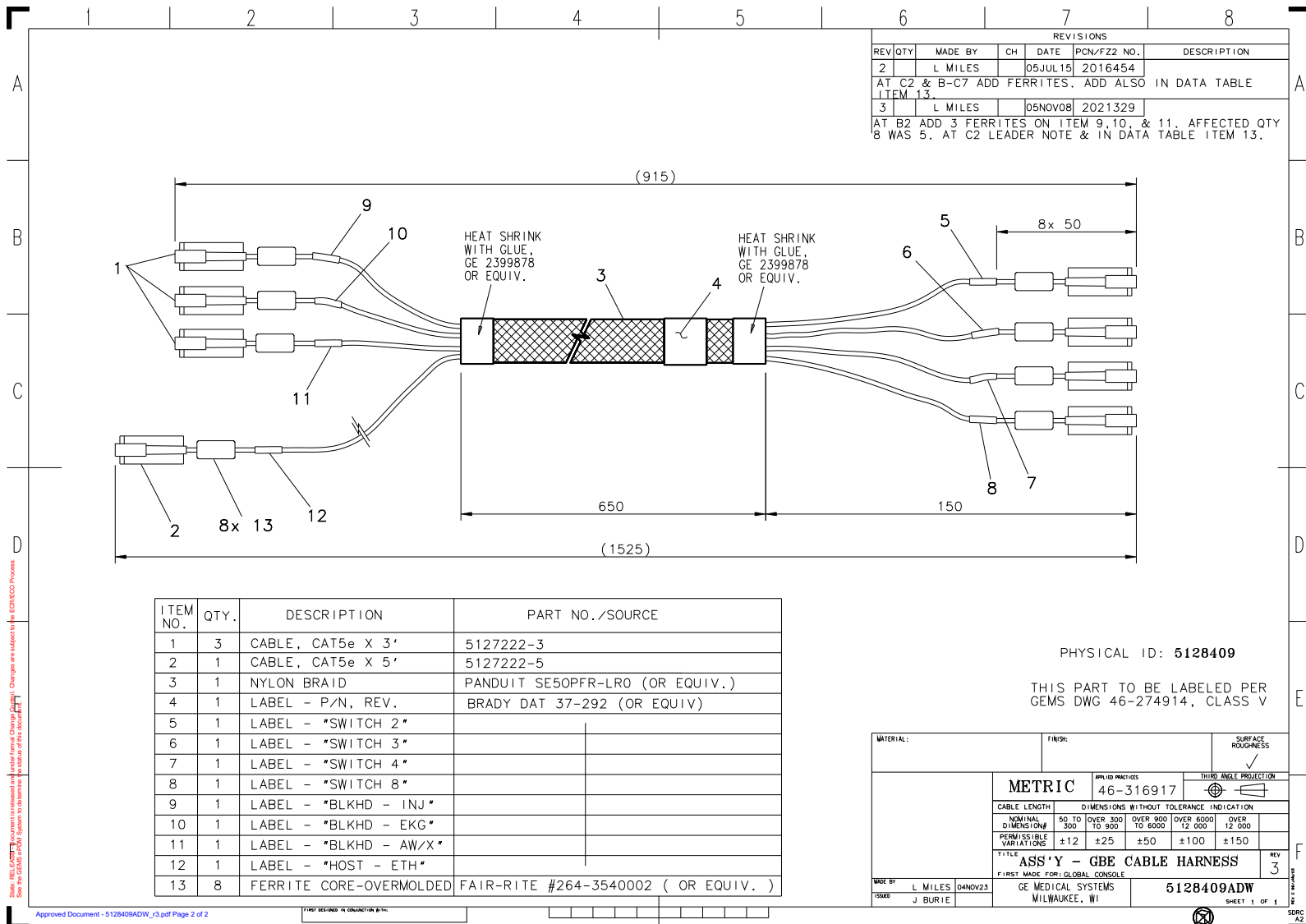


Figure 5-8 Assy, Gbe cable harness (5128409ADW, Sheet1, Rev3)

MARK	NUMBER	QTY	FRU CODE	DESCRIPTION/NAME
1	5127222-3	3.0	Yes	Cable, Ethernet x 3ft Lg - CAT5e, 4 twisted pair, 24awg solid copper, Shielded - aluminized polyester and tinned copper, gray PVC jacket, snagless PVC boot, Plugs - UL94V-0 rated polycarbonate with metallic strain relief, EIA-TIA568, UL listed, CMR rated,
3	46-287814P2	1.0	Yes	BRAIDED EXPANDABLE SLEEVING, 1/2~
2	5127222-5	1.0	No	Cable, Ethernet x 5ft Lg - CAT5e, 4 twisted pair, 24awg solid copper, Shielded - aluminized polyester and tinned copper, gray PVC jacket, snagless PVC boot, Plugs - UL94V-0 rated polycarbonate with metallic strain relief, EIA-TIA568, UL listed, CMR rated,

Table 5-7 Assy, Gbe cable harness (5128409 BOM, Rev4)

**1.1.1.3 GOC4 Outlet Box Assy (5162696)**

*FRU = NO*

MARK	NUMBER	QTY	FRU CODE	DESCRIPTION/NAME
1	2174159-5	1.0	Yes	Assy, Outlet Box for GOC4
2	5162697	1.0	No	Lead Data Wire for GOC4

**Table 5-8 GOC4 Outlet Box Assy (5162696 BOM, Rev 2)**

**Assy, Outlet Box for GOC4 (2174159-5)**

FRU = YES

MARK	NUMBER	QTY	FRU CODE	DESCRIPTION/NAME
2	46-278446P1	8.0	Yes	15A, 125VAC, 2 POLE, 3 WIRE DUPLEX TYPE, GRAY IN COLOR. (REV TK, 7/91).
3	46-297335P3	1.0	Yes	16A, 250V 2-STAGE PWR LINE FILTER
4	46-243925P1	1.0	Yes	20A, 125V, 2-POLE, 3 WIRE TWIST LOCK FLANGED INLET (MALE) LOCKING TYPE (REV TK, 10/91).
6	46-328425P10	16.0	Yes	NUT HEXAGON 3 MM
7	46-328425P1	3.0	Yes	NUT HEXAGON 4 MM
9	46-328430P2	3.0	Yes	WASHER PLAIN - NORMAL 4.3 MM 9 MM ZINC PLATED, STEEL
12	46-311804P2	16.0	Yes	3.2X9X.8 ZP ST DIN
13	46-311805P10	16.0	Yes	HELICAL LOCK WASHER M3 ZP DIN
14	46-208758P2	3.0	Yes	5.5~ X .140~ SELF-LOCKING CABLE TIE. 1/16~ TO 1-1/4~ WIRE BUNDLE RANGE. 30LB TENSILE STRENGTH, NYLON MATR~L.
16	46-328421P501	2.0	Yes	SCREW PAN HEAD 3 MM 5 MM
1	2367803	1.0	No	WELDMENT - OUTLET BOX (GRE)
8	46-312358P30	3.0	No	M3 X 0.5 X 12MM METRIC FREEDRIV ZINC PLATED CROSS RECESSED PAN HEAD MACHINE SCREW
11	46-208697P57	1.0	No	HEYCO PART NO.1247 SR-7W-2 BLACK
15	2336074	1.0	No	CIRCUIT BREAKER 15 AMPS 240 VOLTS 80
17	5154767	1.0	No	SWITCH BOX ASSY for GRE with Service ethernet port

Table 5-9 Assy, Outlet Box for GOC4 (2174159-5 BOM, Rev 2)

### 1.1.2 HOST COMPUTER ASSEMBLY (5310601)

FRU = YES

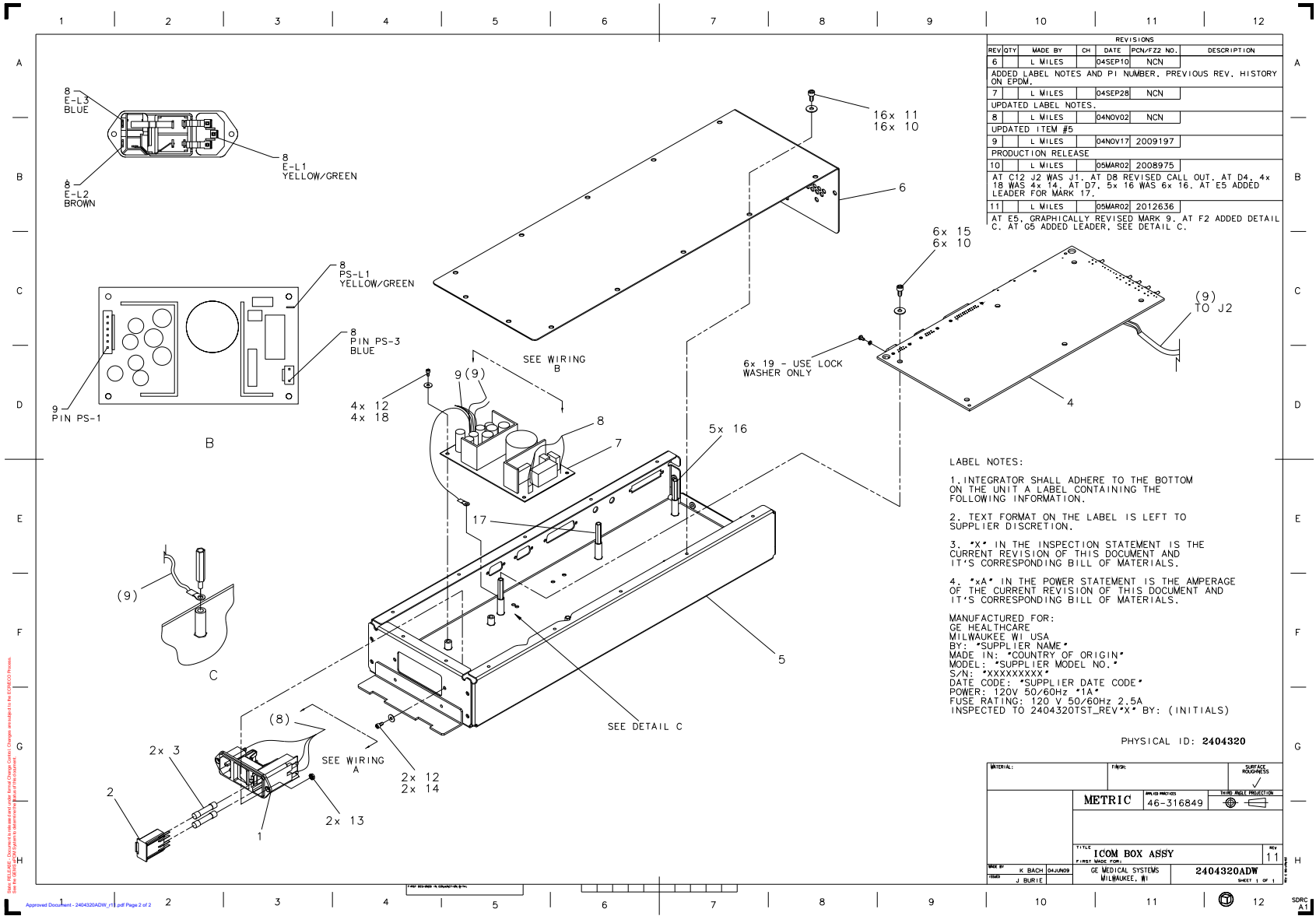
MARK	NUMBER	QTY	FRU CODE	DESCRIPTION/NAME
1	5183547-50	1.0	Yes	AIO console HOST computer
2	5220229* 5321277	1.0	Yes	CDIP CARD CDIP2 Card

**Note: \*5321277 can replace 5220229 directly in TIO console.**

Table 5-10 Host Computer Assembly (5310601 BOM, Rev 2)

1.1.3 CONSOLE INTERCOM PRESCRIBED-TILT HUB (2404320)

FRU = YES



REVISIONS						
REV	QTY	MADE BY	CH	DATE	PCN/FZZ NO.	DESCRIPTION
6		L MILES		04SEP10	NCN	
ADDED LABEL NOTES AND P1 NUMBER, PREVIOUS REV. HISTORY ON EPDM.						
7		L MILES		04SEP28	NCN	
UPDATED LABEL NOTES.						
8		L MILES		04NOV02	NCN	
UPDATED ITEM #5						
9		L MILES		04NOV17	2009197	
PRODUCTION RELEASE						
10		L MILES		05MAR02	2008975	
AT C12 J2 WAS J11. AT DB REVISED CALL OUT. AT D4, 4x 18 WAS 4x 14. AT D7, 5x 16 WAS 6x 16. AT E5 ADDED LEADER FOR MARK 17.						
11		L MILES		05MAR02	2012636	
AT E5, GRAPHICALLY REVISED MARK 9. AT F2 ADDED DETAIL C. AT G5 ADDED LEADER, SEE DETAIL C.						

**LABEL NOTES:**

1. INTEGRATOR SHALL ADHERE TO THE BOTTOM ON THE UNIT A LABEL CONTAINING THE FOLLOWING INFORMATION.
2. TEXT FORMAT ON THE LABEL IS LEFT TO SUPPLIER DISCRETION.
3. \*X\* IN THE INSPECTION STATEMENT IS THE CURRENT REVISION OF THIS DOCUMENT AND IT'S CORRESPONDING BILL OF MATERIALS.
4. \*xA\* IN THE POWER STATEMENT IS THE AMPERAGE OF THE CURRENT REVISION OF THIS DOCUMENT AND IT'S CORRESPONDING BILL OF MATERIALS.

MANUFACTURED FOR:  
GE HEALTHCARE  
MILWAUKEE WI USA  
BY: \*SUPPLIER NAME\*  
MADE IN: \*COUNTRY OF ORIGIN\*  
MODEL: \*SUPPLIER MODEL NO.\*  
S/N: \*XXXXXXXXXX\*  
DATE CODE: \*SUPPLIER DATE CODE\*  
POWER: 120V 50/60Hz \*1A\*  
FUSE RATING: 120 V 50/60Hz 2.5A  
INSPECTED TO 2404320TS1\_REV\*X\* BY: (INITIALS)

PHYSICAL ID: 2404320

MATERIAL:	FINISH:	SURFACE FINISH:
<b>METRIC</b>		
PN/ID	PN/ID	PN/ID
	46-316849	
TITLE		
<b>ICOM BOX ASSY</b>		
REV	REV	REV
		11
DESIGNED BY	DATE	REV
K BACH 04JUN09		
DRAWN BY	DATE	REV
J BURJE		
GE MEDICAL SYSTEMS MILWAUKEE, WI		2404320ADW
		SHEET 1 OF 1

Figure 5-9 Console Intercom Prescribed-tilt Hub (2404320ADW, Sheet1, Rev11)

MARK	NUMBER	QTY	FRU CODE	DESCRIPTION/NAME
3	2374694	2.0	Yes	8A TIME DELAY FUSES
10	46-312577P14	22.0	Yes	SCREW HEAD CAP SCREW STEEL ZINC PLATED (FULL THREAD) PROPERTY CLASS 8.8 ***THIS PART IS REPLACED BY 46-328417P3***
11	46-328430P2	16.0	Yes	WASHER PLAIN - NORMAL 4.3 MM 9 MM ZINC PLATED, STEEL
13	46-312346P1	2.0	Yes	M3 X 0.5 ZINC PLATED METRIC HEX NUT WITH ATTACHED TOOTH LOCK WASHER
15	46-214941P2	6.0	Yes	FLAT WASHER, NYLON, M4
19	46-221417P1	3.0	Yes	FEMALE SCREWLOCKS, TWO PER KIT FOR HD CONNECTORS 4-40 THREAD 0.5 OVERALL LENGTH, YELLOW CHROMATE 0.312 BOTTOM, 0.062 PANEL THK. MAX KIT INCLUDES NUTS AND WASHERS
1	2370567	1.0	No	POWER ENTRY MODULE 2 POLE FUSING
2	2374174	1.0	No	POWER ENTRY FUSE DRAWER
4	2399750	1.0	No	GRE INTERCOM-TILT
5	5114920-2	1.0	No	Chassis Base, ICOM
6	5114921	1.0	No	ct Intercom Box Chassis Cover
7	5115027	1.0	No	Power supply triple output 90-264V 47-63 HZ AC IN 5V 7A +12V 3A -12V 2.5A OUT
8	5115179	1.0	No	cable harness power entry to power supply
9	5115180	1.0	No	cable harness power supply to pwa
12	2276462	6.0	No	METRIC PLAIN FLAT WASHER 3.2MM ID X 7MM OD
14	46-312577P4	2.0	No	SCREW HEAD CAP SCREW STEEL ZINC PLATED (FULL THREAD) PROPERTY CLASS 8.8
16	2209282-3	5.0	No	HEX STANDOFF MALE/FEMALE M4 X 25MM
17	5128595	1.0	No	M4 x 25mm male female nylon hex stand off.
18	46-328417P73	4.0	No	SCREW HEXAGON SOCKET 3 MM 6 MM

Table 5-11 Console Intercom Prescribed-tilt Hub (2404320 BOM, Rev14)

1.1.4 SCSI TOWER ASSY (5116391-2)

FRU = YES

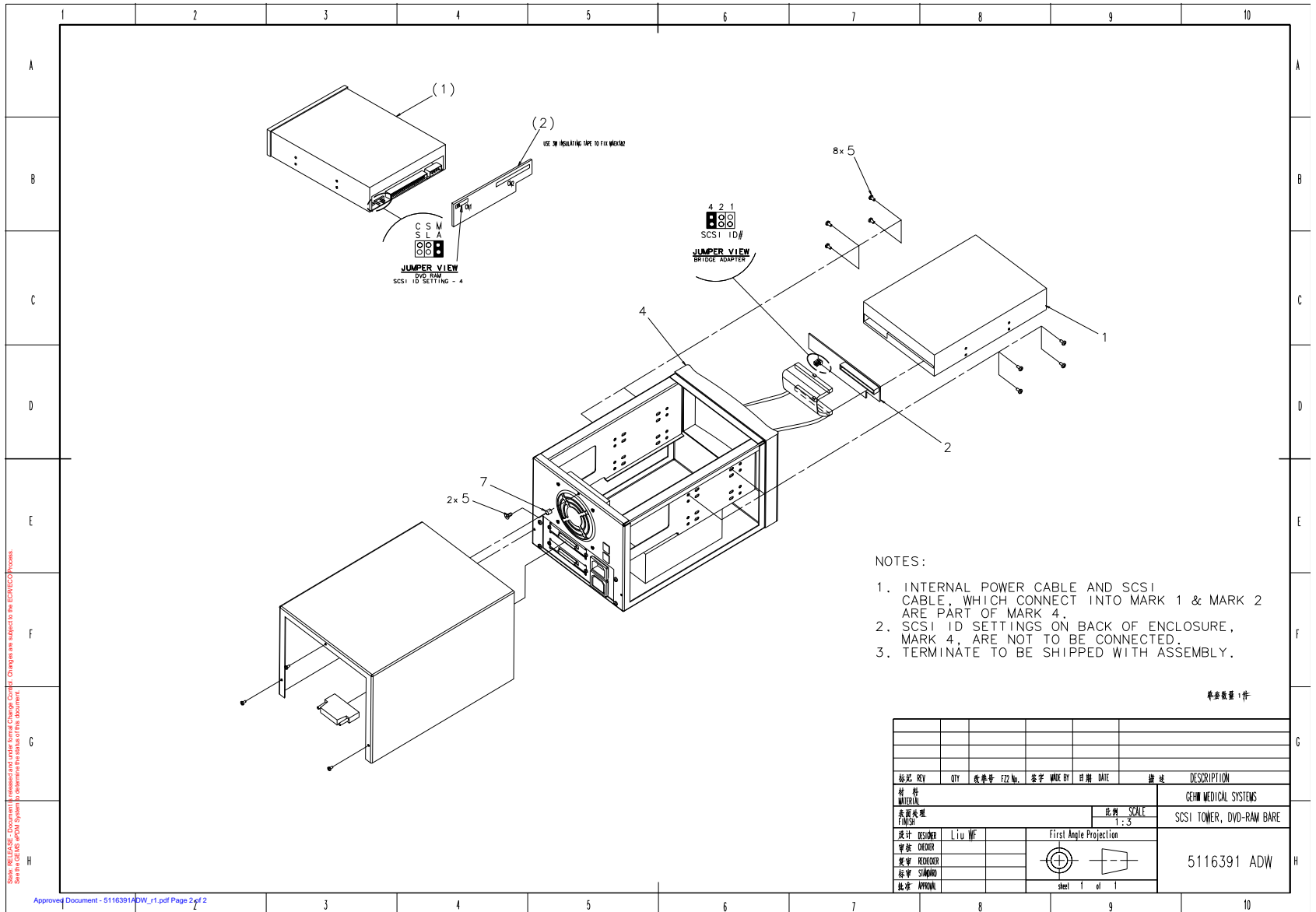


Figure 5-10 SCSI Tower ASSY (5116391ADW, Sheet1, Rev1)



MARK	NUMBER	QTY	FRU CODE	DESCRIPTION/NAME
1	2398863	1.0	Yes	DVD-RAM MULTI-DRIVE 4.7GB
5	46-328421P501	1.0	Yes	SCREW PAN HEAD 3 MM 5 MM
2	2404031	1.0	No	SCSI TO IDE ADAPTER
4	2401055	1.0	No	SCSI TOWER

Table 5-12 SCSI Tower ASSY (5116391-2 BOM, Rev3)

**1.1.5 COVER ASSY - CONSOLE FRONT (5128181)**

FRU = YES

MARK	NUMBER	QTY	FRU CODE	DESCRIPTION/NAME
1	2369619	1.0	Yes	COVER, CONSOLE FRONT - GRE
2	5124020	1.0	Yes	Foam, Sound Absorbing - 54in Wd x 1in Thick
3	46-136246P18	3.21	Yes	1~ WIDE, WHT, ADH BACK, VELCRO HOOK 75 FT PER RL
4	5128180	1.0	Yes	Filter, 25 PPI Quadrafoam UL94 HF-1

**Table 5-13 Cover Assy - Console Front (5128181 BOM, Rev1)**

## 1.2 AIO 2377708-560 RATING PLATE (5317249)

FRU = NO

MARK	NUMBER	QTY	FRU CODE	DESCRIPTION/NAME
1	46-303268P1	1.0	Yes	PRODUCT LOCATOR CARD FORM FOR RATING PLATES, PRINTED BY DUPLITECH

Table 5-14 AIO 2377708-560 Rating Plate (5317249 BOM, Rev 1)

**Section 2.0 — GOC4 - 16slice MDAS & GDAS with xw8200, 1IG and Ethernet Switch (2377708-120)**

MARK	NUMBER	QTY	FRU CODE	DESCRIPTION/NAME
1	2378862-120	1.000	N	Standard Console for Freedom Workspace
2	46-302200P1	1.000	N	RATING PLATE W/ SN, MN_ & RATINGS
3	2386393-2	1.000	N	LABEL, ETL COMPONENT APPROVAL, INFORMATION TECHNOLOGY EQUIPMENT

Table 5-15 GOC4 16-Slice MDAS & GDAS (2377708-120BOM, rev 3)



## 2.1 Standard Console (GOC4) (2378862-120)

FRU = N

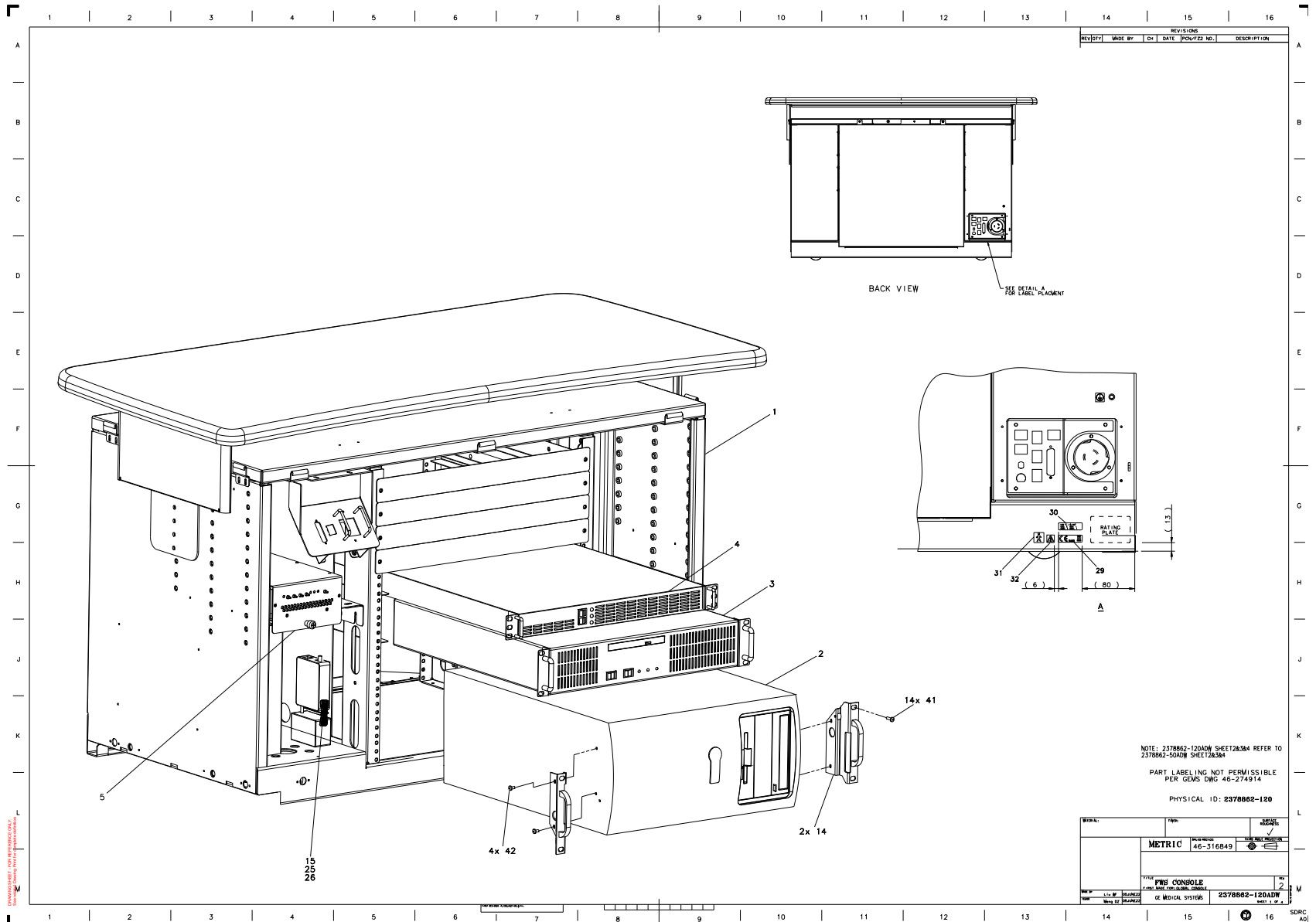


Figure 5-11 Standard Console for Freedom Workspace (2378862-120, sheet 1, rev 02)

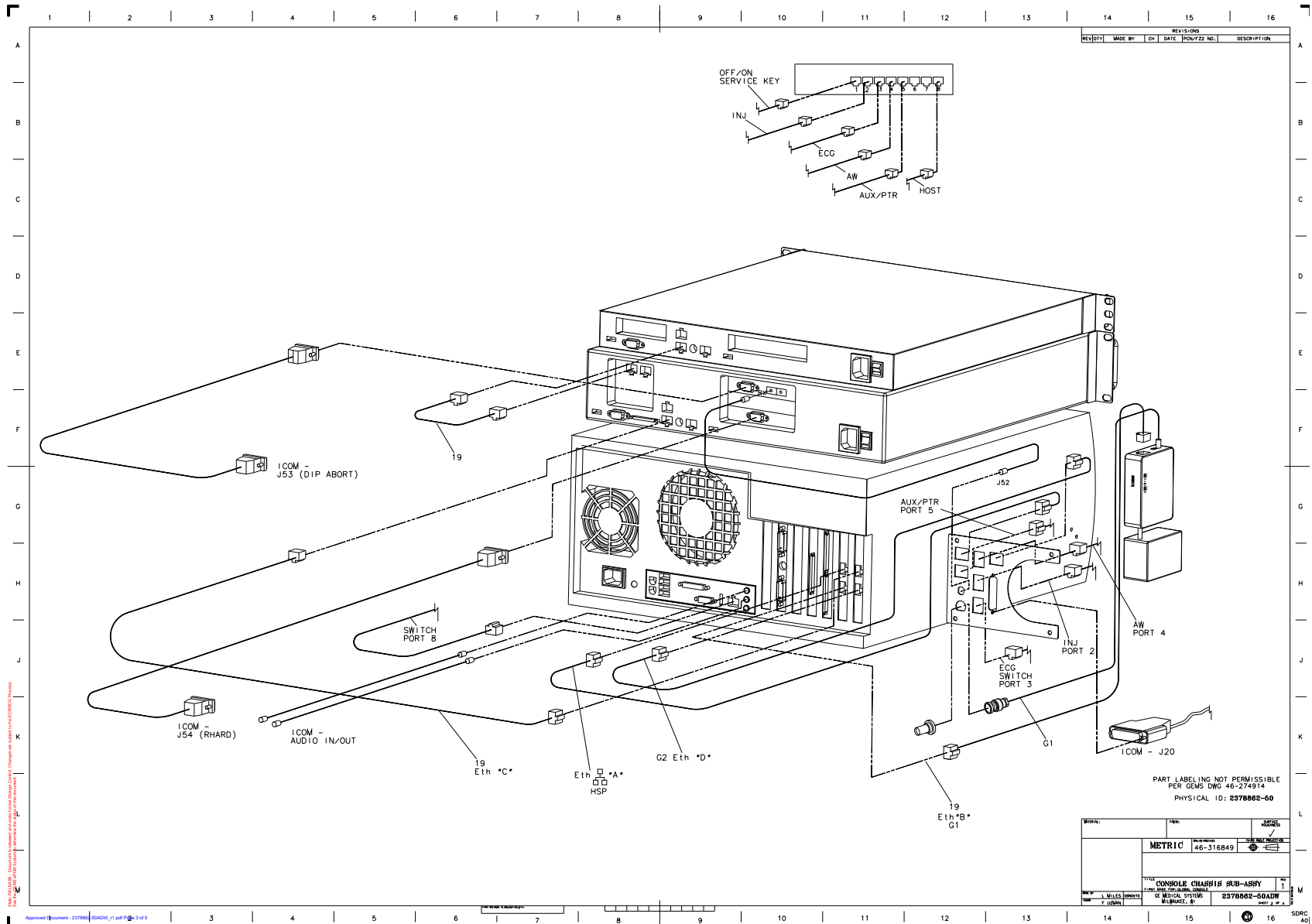


Figure 5-12 Standard Console for Freedom Workspace (2378862-120 refer to 2378862-50, sheet 2, rev 01)

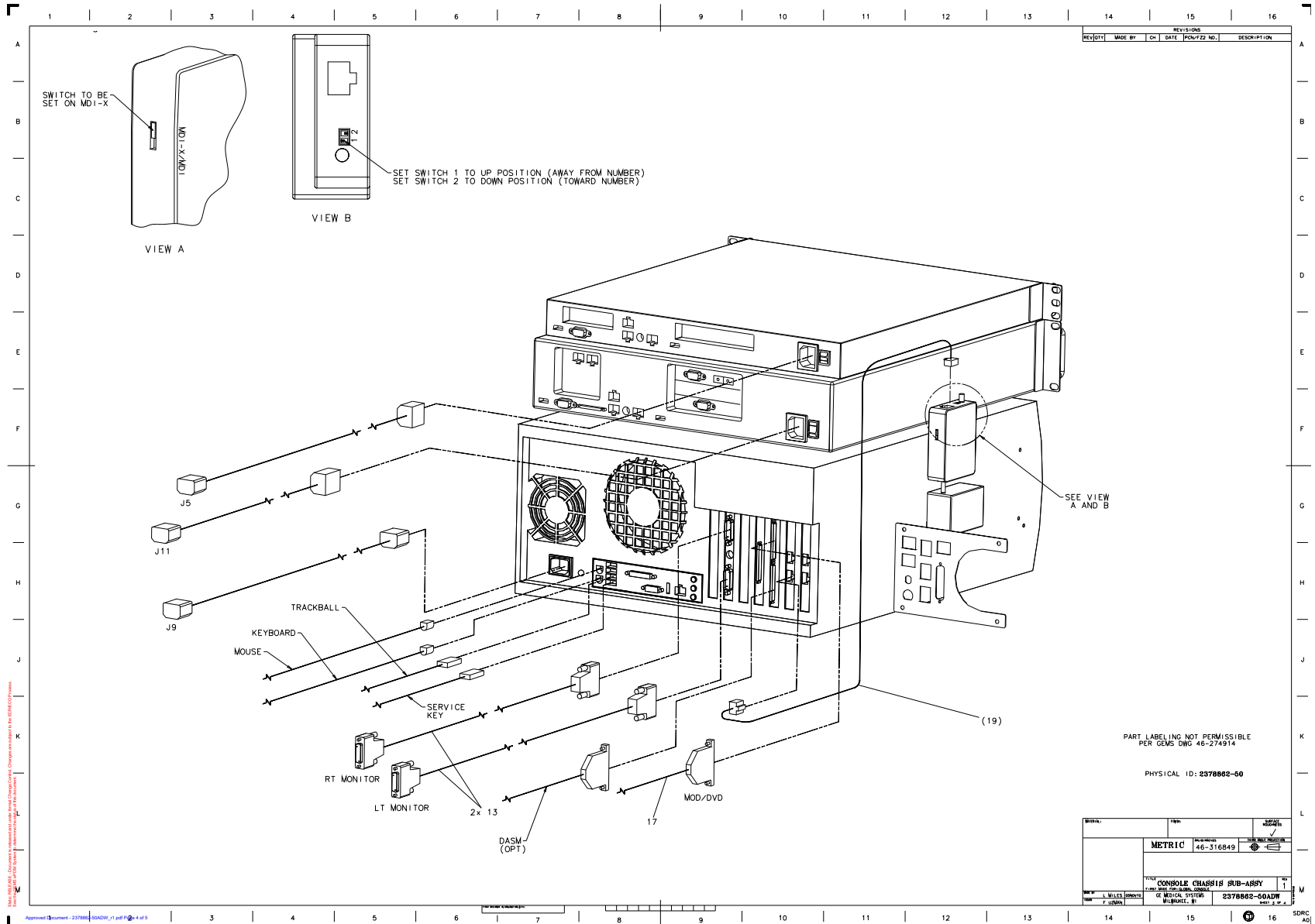


Figure 5-13 Standard Console for Freedom Workspace (2378862-120 refer to 2378862-50, sheet 3, rev 01)



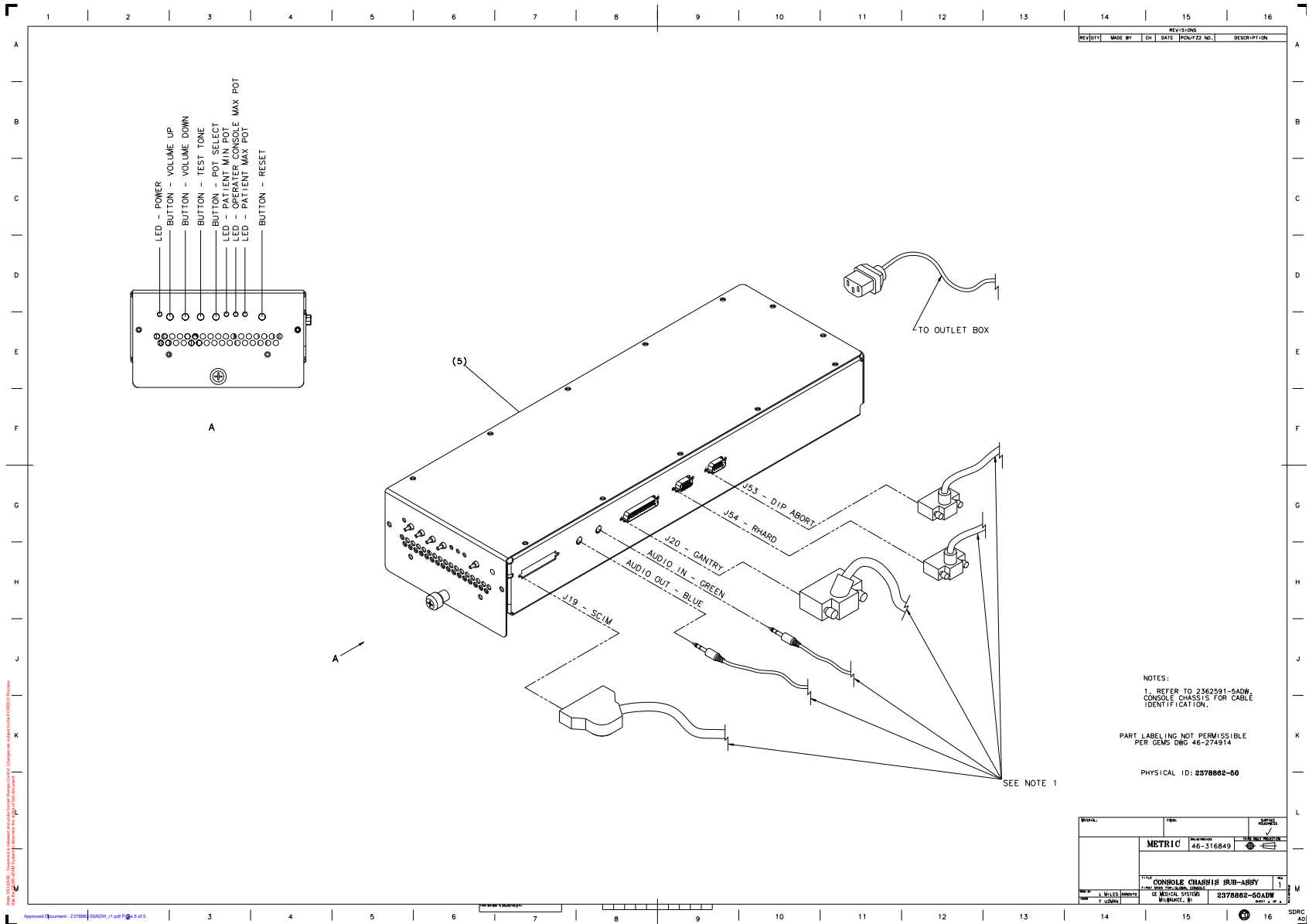


Figure 5-14 Standard Console for Freedom Workspace (2378862-120 refer to 2378862-50, sheet 4, rev 01)

MARK	NUMBER	QTY	FRU	DESCRIPTION
2	5117866-28 5117866-51 **	1.0	Yes	HOST COMPUTER, CT USA VCT XW8200 GEHC CT VCT Integrated Buy Level PC HP8200 with FX1500 Graphics Card Host Computer
3	5114772	1.0	Yes	DARC Computer - Dual Disk H16 MDAS, GDAS
4	2362872	1.0	Yes	IMAGE GENERATION COMPUTER - GRE
5	2404320	1.0	Yes	CONSOLE INTERCOM PRESCRIBED-TILT HUB
6	5167410	1.0	Yes	Peripheral Tower, dual-bay, MOD-DVDram
7	5115334	1.0	Yes	Switch, Ethernet 8-port GBe
8	2368697-2	2.0	Yes	LINUX DDR WORKST'N 3BUTTON PS2 MOUSE
9	2399753-2	1.0	Yes	TRACKBALL - 3 BTTN USB for GRE
11	5128181	1.0	Yes	Cover Assy - Console Front
13	2304737-2	2.0	Yes	CABLE, DVI VIDEO CABLE - OCTANE II
15	2377227	1.0	Yes	UTP TRANSCEIVER - BNC TO RJ45 W/I.T.E PWR SPPLY #24000027
17	2324697-2	1.0	Yes	SCSI CABLE, VHD68 TO CENT 50, LINUX
19	2374965-2	3.0	Yes	CABLE - ETHERNET CAT5E X 610MM LG
24	2335376	1.0	Yes	CABLE - PDU TO CONSOLE FOR GOC
25	46-136246P14	1.0	Yes	2~ WIDE, WHT, ADH BACK, VELCRO LOOP25 YD
26	46-136246P21	1.0	Yes	2~ WIDE X 25 YD WHITE VELCRO HOOKS
27	46-208781P2	4.0	Yes	WRITE-ON LABEL FOR MARKING CABLES WHITE ADHESIVE BACKED 0.75~ X 1.90~. UNMARKED, 2,500 PC FAN-FOLD SHEETS (FULL SIZE = 1.9~ X 3.15~.)
29	2117390-2	1.0	Yes	CE Compliance and WEEE Labels
30	2132620	1.0	Yes	EMC LABEL CLASS A GROUP 1
31	46-279769P1	1.0	Yes	IEC TYPE B SYMBOL
35	2214164	1.0	Yes	5.25~ 2.3GB 512 BYTES/SECTOR MOD
36	2337414	2.0	Yes	DVD RAM MEDIA, 9.4 GB
37	2227726	1.0	Yes	MOUSE PAD FOR LIGHTSPEED
39	46-208758P3	6.0	Yes	7.31~ X .184~ SELF-LOCKING CABLE TIE1/16~ TO 1-3/4~ WIRE BUNDLE RANGE. 50LB TENSILE STRENGTH, NYLON MATR~L.

Table 5-16 Standard Console for Freedom Workspace (2378862-120 BOM, rev 6)

MARK	NUMBER	QTY	FRU	DESCRIPTION
42	2103585-2	4.0	Yes	SCREW PAN HEAD 4 MM 10 MM SPRING WASHER, ZINC PLATED, STEEL
43	46-208747P2	1.0	Yes	ADHESIVE MOUNT - CABLE TIE
44	46-208758P1	2.0	Yes	3.62~ X .094~ CABLE TIE 1/16~ TO 5/8~ WIRE BUNDLE RANGE 18LB TENSILE STRENGTH, NYLON MATR'L.
45	46-208758P9	1.0	Yes	11.08~X .140~ SELF-LOCKING CABLE TIE 1/16~ TO 3~ WIRE BUNDLE RANGE. 40LB TENSILE STRENGTH, NYLON MATR~L. (DWG REV 5/92, JFK - OK).
1	5165396	1.0	No	FWS GOC4 CHASSIS,MAKE PARTS.
14	2366442-27	2.0	No	BRACKET, RACK MOUNT HOST COMPUTER
32	46-269337P6	1.0	No	LABEL OLD
33	2240540	1.0	No	NETSCAPE LICENSE
41	46-312358P51	14.0	No	M5 X 0.8 X 12MM METRIC FREEDRIV ZINC PLATED CROSS RECESSED PAN HEAD MACHINE SCREW

Note: \*\* Software 07MW11.x or greater is required for Host Computer with FX1500 Graphics Card. If software is not as required, upgrade software to required version at first.

Table 5-16 Standard Console for Freedom Workspace (2378862-120 BOM, rev 6) (Continued)

2.1.1 FWS GOC4 Chassis Assembly (5165396)

FRU = NO

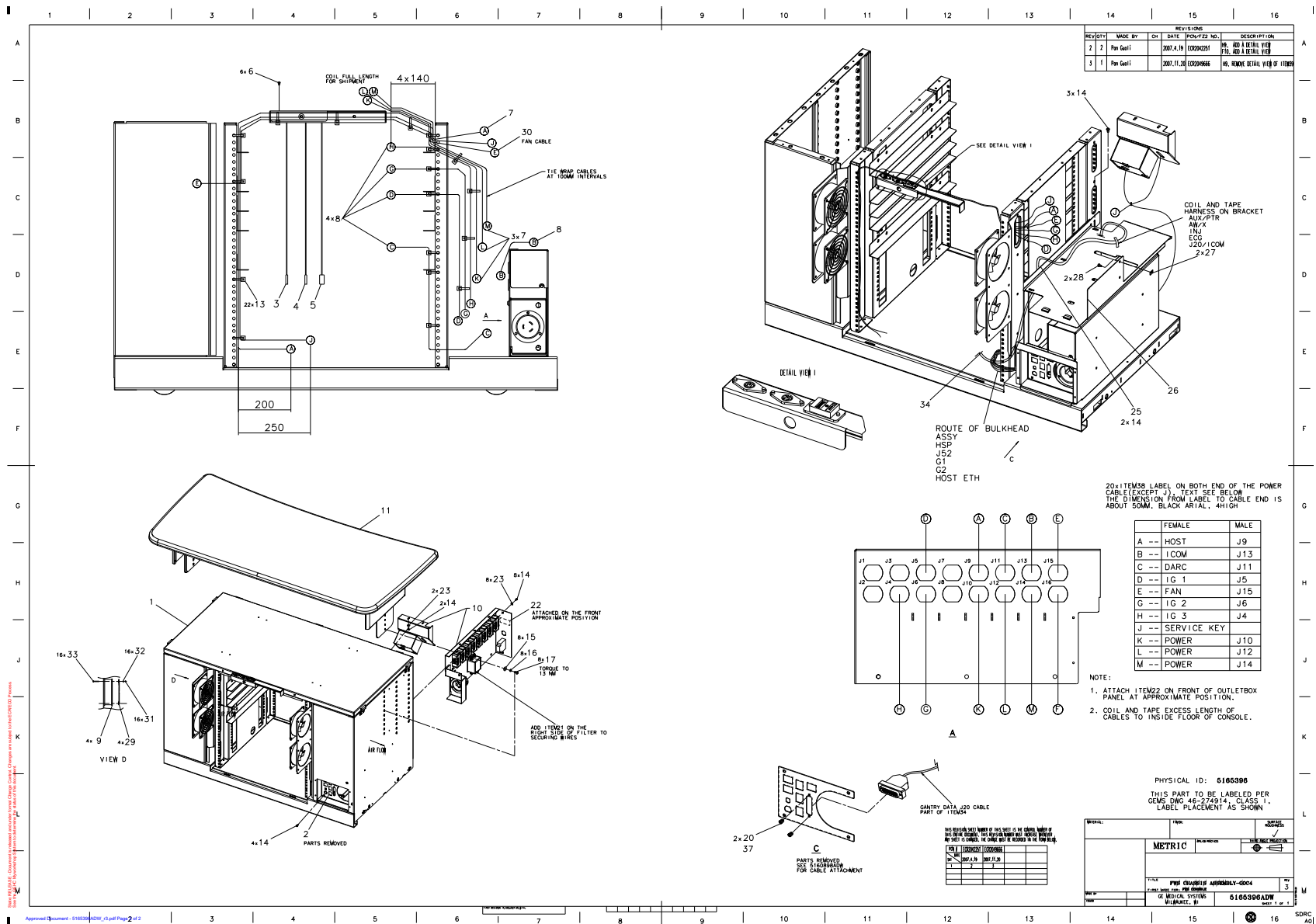


Figure 5-15 Console Chassis Assembly (5165396 sheet 1, rev 3)

MARK	NUMBER	QTY	FRU	DESCRIPTION
2	5160898	1.0	Yes	SUBASSY, GRE CONSOLE REAR BULKHEAD
3	2315117	1.0	Yes	CABLE, PS/2 MOUSE CABLE, LINUX
4	2315117-2	1.0	Yes	CABLE, PS/2 KEYBOARD CABLE, LINUX
5	5123478	1.0	Yes	CABLE, USB BULKHEAD, USB-AF TO USB-AM X 3FT LG
6	46-328421P3	6.0	Yes	SCREW PAN HEAD 2.5 MM 5 MM ZINC PLATED, STEEL
7	2142225	4.0	Yes	MONITOR POWER CORD
8	2142226	5.0	Yes	POWER CORD FOR EMC AREA
9	5124071	4.0	Yes	FAN, TUBE AXIAL - 115VAC, 50-60HZ, 119MM X 119MM X 25MM X 95-115CFM, BALL BEARING MOTOR - SINWAN S125AP-11-1
13	46-208758P3	22.0	Yes	7.31~ X .184~ SELF-LOCKING CABLE TIE 1/16~ TO 1-3/4~ WIRE BUNDLE RANGE. 50LB TENSILE STRENGTH, NYLON MATR~L.
14	2103585	19.0	Yes	SCREW PAN HEAD 4 MM 8 MM SPRING WASHER, ZINC PLATED, STEEL
15	46-328431P2	8.0	Yes	WASHER PLAIN - LARGE 6.4 MM 18 MM ZINC PLATED, STEEL
16	2109881-3	8.0	Yes	WASHER LOCK - INTERNAL 6.4 MM 11 MM
20	46-221417P4	2.0	Yes	FEMALE SCREWLOCKS FOR HD CONNECTORS. 4-40 THREAD, 0.470~ OVERALL LENGTH YELLOW CHROMATE, TWO PER KIT. 0.312~ BOTTOM, 0.094~ PANEL THK. MAX (KIT INCLUDES NUTS AND WASHERS)
21	46-208747P1	1.0	Yes	ADHESIVE MOUNT - CABLE TIE PANDUIT CORP, ABMM-A(STYLE A)
23	46-328431P1	10.0	Yes	WASHER PLAIN - LARGE 4.3 MM 12 MM ZINC PLATED, STEEL
28	46-328417P5	2.0	Yes	SCREW HEXAGON SOCKET 4 MM 16 MM ZINC PLATED, STEEL
29	46-272301P11	4.0	Yes	FAN ACCESSORIES FINGER GUARD PAPST LZ30
30	5127629	1.0	Yes	CABLE ASSY - EXHAUST FAN POWER
31	2381089-3	16.0	Yes	SCREW, SS NYLOCK HEX NUT, M4
32	46-328430P2	16.0	Yes	WASHER PLAIN - NORMAL 4.3 MM 9 MM ZINC PLATED, STEEL
33	46-312358P44	16.0	Yes	M4 X 0.7 X 35MM METRIC FREEDRIV ZINC PLATED CROSS RECESSED PAN HEAD MACHINE SCREW
34	5128406	1.0	Yes	ASSY, ICOM CABLE HARNESS FOR GOC4

Table 5-17 Console Chassis Assembly (5165396 BOM, rev 4)

MARK	NUMBER	QTY	FRU	DESCRIPTION
37	46-170686P3	0.0	Yes	LOCTITE 242, 50CC 12 MONTH SHELF LIFE FROM DATE OF SHIPMENT FROM THE MANUFACTURER.
1	5164805	1.0	No	FWS GOC4 CHASSIS FROM SUPPLIER, BUY PARTS.
10	5162696	1.0	No	GOC4 OUTLET BOX ASSY
11	2385780	1.0	No	TABLE TOP ASSEMBLY, MONITOR
17	2337083-2	8.0	No	SCREW, M6 X 20 SOC HEAD, 12.9 CLASS
22	2150839	1.0	No	CAUTION RECEPTACLES NOT FOR GEN USE
25	5114923-2	1.0	No	BRACKET, ICOM LOWER
26	5114924-2	1.0	No	BRACKET, ICOM UPPER
27	5122710	2.0	No	M4 TAPPED HOLE SPEED NUT
38	5166489	1.0	No	GOC4 CHASSIS LABEL

Table 5-17 Console Chassis Assembly (5165396 BOM, rev 4)



2.1.2 Console Intercom Prescribed-Tilt Hub (2404320)

FRU = YES

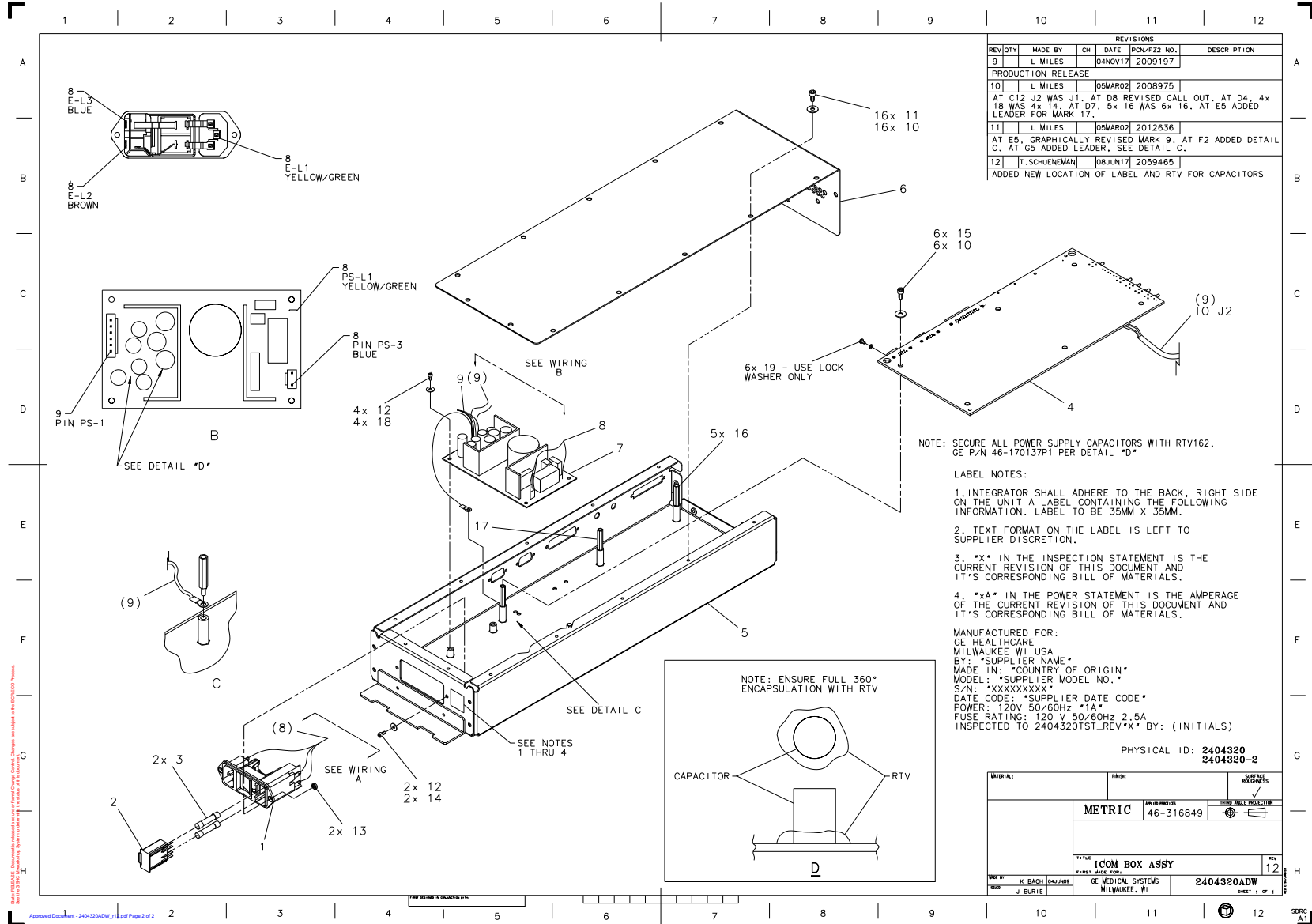


Figure 5-16 Console Intercom Prescribed - Tilt Hub (2404320, sheet 1, rev 12)



MARK	NUMBER	QTY	FRU	DESCRIPTION
3	2374694	2.000	Yes	8A TIME DELAY FUSES
10	46-312577P14	22.000	Yes	SCREW HEAD CAP SCREW STEEL ZINC PLATED (FULL THREAD) PROPERTY CLASS 8.8 ***THIS PART IS REPLACED BY 46-328417P3***
11	46-328430P2	16.000	Yes	WASHER PLAIN - NORMAL 4.3 MM 9 MM ZINC PLATED, STEEL
13	46-312346P1	2.000	Yes	M3 X 0.5 ZINC PLATED METRIC HEX NUT WITH ATTACHED TOOTH LOCK WASHER
15	46-214941P2	6.000	Yes	FLAT WASHER, NYLON, M4
19	46-221417P1	3.000	Yes	FEMALE SCREWLOCKS, TWO PER KIT FOR HD CONNECTORS 4-40 THREAD 0.5~ OVERALL LENGTH, YELLOW CHROMATE 0.312~ BOTTOM, 0.062~ PANEL THK. MAX (KIT INCLUDES NUTS AND WASHERS
1	2370567	1.000	N	POWER ENTRY MODULE 2 POLE FUSING
2	2374174	1.000	N	POWER ENTRY FUSE DRAWER
4	2399750	1.000	N	GRE INTERCOM-TILT
5	5114920-2	1.000	N	Chassis Base, ICOM
6	5114921	1.000	N	CT Intercom Box Chassis Cover
7	5304856	1.000	N	Power supply triple output 90-264V 47-63 HZ AC IN 5V 7A +12V 3A -12V 2.5A OUT
8	5115179	1.000	N	Cable Harness Power Entry To Power Supply
9	5115180	1.000	N	Cable Harness Power Supply To Pwa
12	2276462	6.000	N	METRIC PLAIN FLAT WASHER 3.2MM ID X 7MM OD
14	46-312577P4	2.000	N	SCREW HEAD CAP SCREW STEEL ZINC PLATED (FULL THREAD) PROPERTY CLASS 8.8
16	2209282-3	5.000	N	HEX STANDOFF MALE/FEMALE M4 X 25MM
17	5128595	1.000	N	M4 x 25mm male female nylon hex stand off
18	46-328417P73	4.000	N	SCREW HEXAGON SOCKET 3 MM 6 MM

Table 5-18 Console Intercom Prescribed - Tilt Hub (2404320 BOM, rev 16)

**2.1.3 SCSI Tower, DVD-RAM, MOD (5167410)**

FRU = YES

REV/QTY	MADE BY	CH	DATE	PCN/FZZ NO.	DESCRIPTION
B	GENE GRUBER		03JAN23	NCN	
ITEM 2 WAS 1, ITEM 1 WAS 2 AT C8; REVISED JUMPERS ITEM 2					
1	L. SCHULTZ		04FEB03	270210	UPDATED ITEM #'S
2	LOR SCHULTZ		04AUG03	2005591	
ADDED LABEL NOTES					

NOTES:					
1.	INTERNAL POWER CABLE AND SCSI CABLE, WHICH CONNECT INTO MARK 1 & MARK 2 ARE PART OF MARK 4.				
2.	SCSI ID SETTINGS ON BACK OF ENCLOSURE, MARK 4, ARE NOT TO BE CONNECTED.				
3.	INSERT MARK 8 IN A PLASTIC BAG AND ATTACH TO BACK OF ENCLOSURE DURING SHIPPING.				
4.	POWER CABLE TO BE SHIPPED WITH ASSEMBLY.				

LABEL NOTES:					
1.	INTEGRATOR SHALL ADHERE TO THE BOTTOM ON THE UNIT A LABEL CONTAINING THE FOLLOWING INFORMATION.				
2.	TEXT FORMAT ON THE LABEL IS LEFT TO SUPPLIER DISCRETION.				
3.	*X* IN THE INSPECTION STATEMENT IS THE CURRENT REVISION OF THIS DOCUMENT AND IT'S CORRESPONDING BILL OF MATERIALS.				
4.	*X* IN THE POWER STATEMENT IS THE AMPERAGE OF THE CURRENT REVISION OF THIS DOCUMENT AND IT'S CORRESPONDING BILL OF MATERIALS.				

MANUFACTURED FOR  
 GE HEALTHCARE  
 MILWAUKEE, WI, USA  
 BY SUPPLIER NAME HERE  
 MADE IN USA  
 MODEL: SUPPLIER MODEL NO. HERE  
 S/N: SUPPLIER SERIAL NO. HERE  
 DATE CODE: SUPPLIER DATE CODE HERE  
 POWER: 120V 50/60Hz \*X\*  
 INSPECTED TO 2368838ADW\_REV\*X\* BY: (INITIALS)

THIS PART TO BE LABELED PER  
 GEMS DWG 46-274914, CLASS III,  
 LABEL PLACEMENT ON BOTTOM  
 OF ENCLOSURE

PHYSICAL ID: 2368838

MATERIAL	FINISH	SURFACE ROUGNESS																																										
<table border="1" style="width: 100%; border-collapse: collapse;"> <thead> <tr> <th colspan="2">METRIC</th> <th colspan="2">DIMENSIONS WITHOUT TOLERANCE INDICATION</th> <th colspan="2">DIMENSIONS WITH TOLERANCE INDICATION</th> </tr> <tr> <th>DRY</th> <th>WET</th> <th>MIN</th> <th>MAX</th> <th>MIN</th> <th>MAX</th> </tr> </thead> <tbody> <tr> <td>DRY TYPICAL</td> <td>WET TYPICAL</td> <td>10.1</td> <td>10.3</td> <td>10.5</td> <td>11.2</td> </tr> <tr> <td colspan="6" style="text-align: center;">           THIS PART TO BE LABELED PER GEMS DWG 46-274914, CLASS III, LABEL PLACEMENT ON BOTTOM OF ENCLOSURE            PHYSICAL ID: 2368838ADW         </td> </tr> <tr> <td colspan="2">BY: GENE GRUBER (03JAN23)</td> <td colspan="2">DATE: 03JAN23</td> <td colspan="2">DRAWN BY: JOHN BURIE (03JAN23)</td> </tr> <tr> <td colspan="3">DESCRIPTION: SCSI TOWER ASSY - DVD, RAM, MOD</td> <td colspan="3">PHYSICAL ID: 2368838ADW</td> </tr> <tr> <td colspan="3">MATERIAL: GE MEDICAL SYSTEMS MILWAUKEE, WI</td> <td colspan="3">DRAWN BY: JOHN BURIE (03JAN23)</td> </tr> </tbody> </table>			METRIC		DIMENSIONS WITHOUT TOLERANCE INDICATION		DIMENSIONS WITH TOLERANCE INDICATION		DRY	WET	MIN	MAX	MIN	MAX	DRY TYPICAL	WET TYPICAL	10.1	10.3	10.5	11.2	THIS PART TO BE LABELED PER GEMS DWG 46-274914, CLASS III, LABEL PLACEMENT ON BOTTOM OF ENCLOSURE PHYSICAL ID: 2368838ADW						BY: GENE GRUBER (03JAN23)		DATE: 03JAN23		DRAWN BY: JOHN BURIE (03JAN23)		DESCRIPTION: SCSI TOWER ASSY - DVD, RAM, MOD			PHYSICAL ID: 2368838ADW			MATERIAL: GE MEDICAL SYSTEMS MILWAUKEE, WI			DRAWN BY: JOHN BURIE (03JAN23)		
METRIC		DIMENSIONS WITHOUT TOLERANCE INDICATION		DIMENSIONS WITH TOLERANCE INDICATION																																								
DRY	WET	MIN	MAX	MIN	MAX																																							
DRY TYPICAL	WET TYPICAL	10.1	10.3	10.5	11.2																																							
THIS PART TO BE LABELED PER GEMS DWG 46-274914, CLASS III, LABEL PLACEMENT ON BOTTOM OF ENCLOSURE PHYSICAL ID: 2368838ADW																																												
BY: GENE GRUBER (03JAN23)		DATE: 03JAN23		DRAWN BY: JOHN BURIE (03JAN23)																																								
DESCRIPTION: SCSI TOWER ASSY - DVD, RAM, MOD			PHYSICAL ID: 2368838ADW																																									
MATERIAL: GE MEDICAL SYSTEMS MILWAUKEE, WI			DRAWN BY: JOHN BURIE (03JAN23)																																									

Figure 5-17 SCSI Tower, DVD-RAM, MOD (5167410, sheet 1, rev 2)

MARK	NUMBER	QTY	FRU CODE	DESCRIPTION/NAME
1	2318598	1.000	Yes	SONY MOD SMO-F551-SD
2	2398863-2	1.000	N	5X DVD-RAM Multi Drive 4.7GB per side
3	2368521	1.000	N	ADAPTER, SCSI TO IDE BRIDGE
4	5167410-10	1.000	N	Peripheral Media Tower Chassis Assembly

Table 5-19 SCSI Tower, DVD-RAM, MOD (5167410 BOM, rev 6)

2.1.4 Cover Assy - Console Front (5128181)

FRU = YES

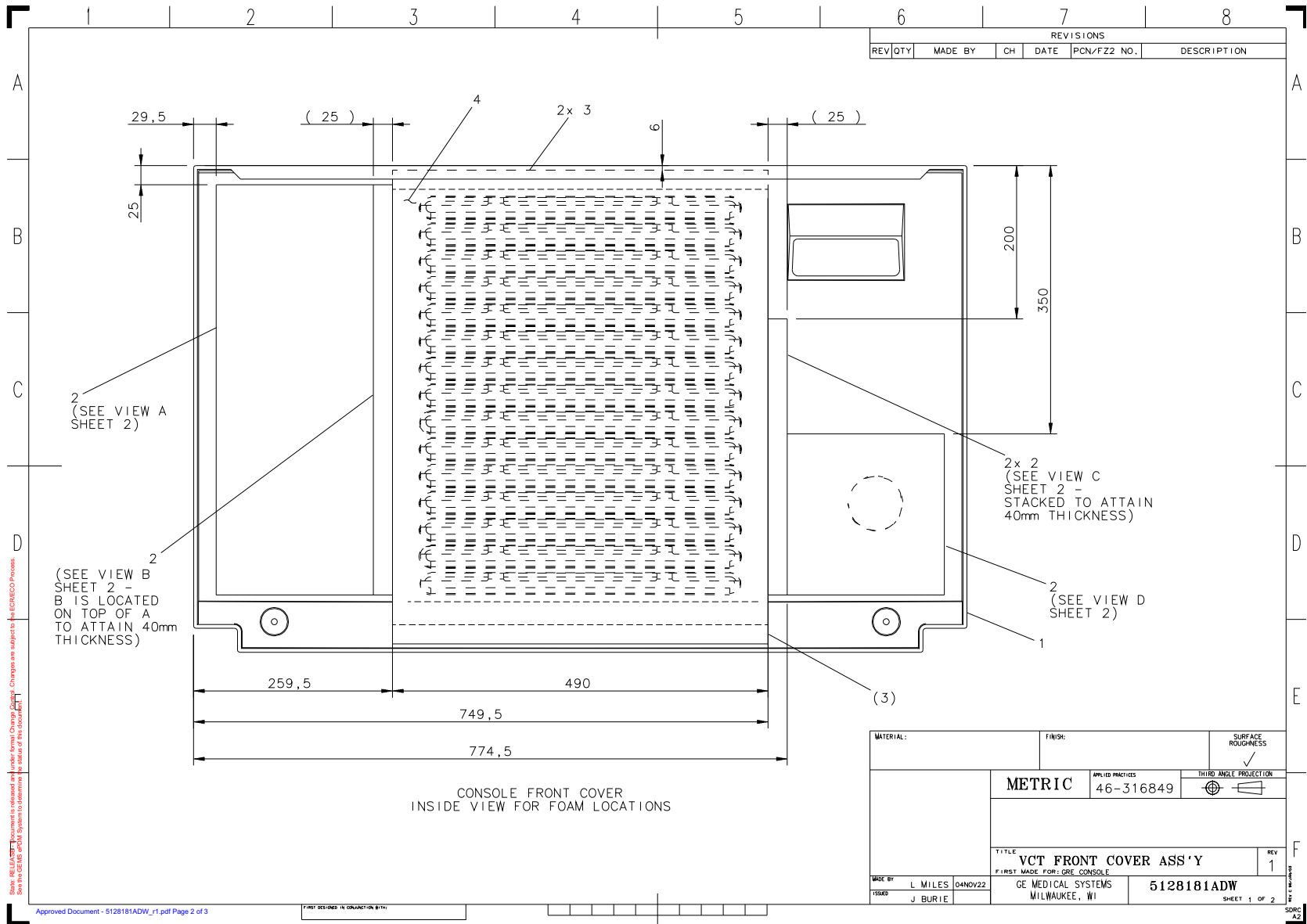


Figure 5-18 Cover Assy - Console Front (5128181 Sheet 1, Rev 1)

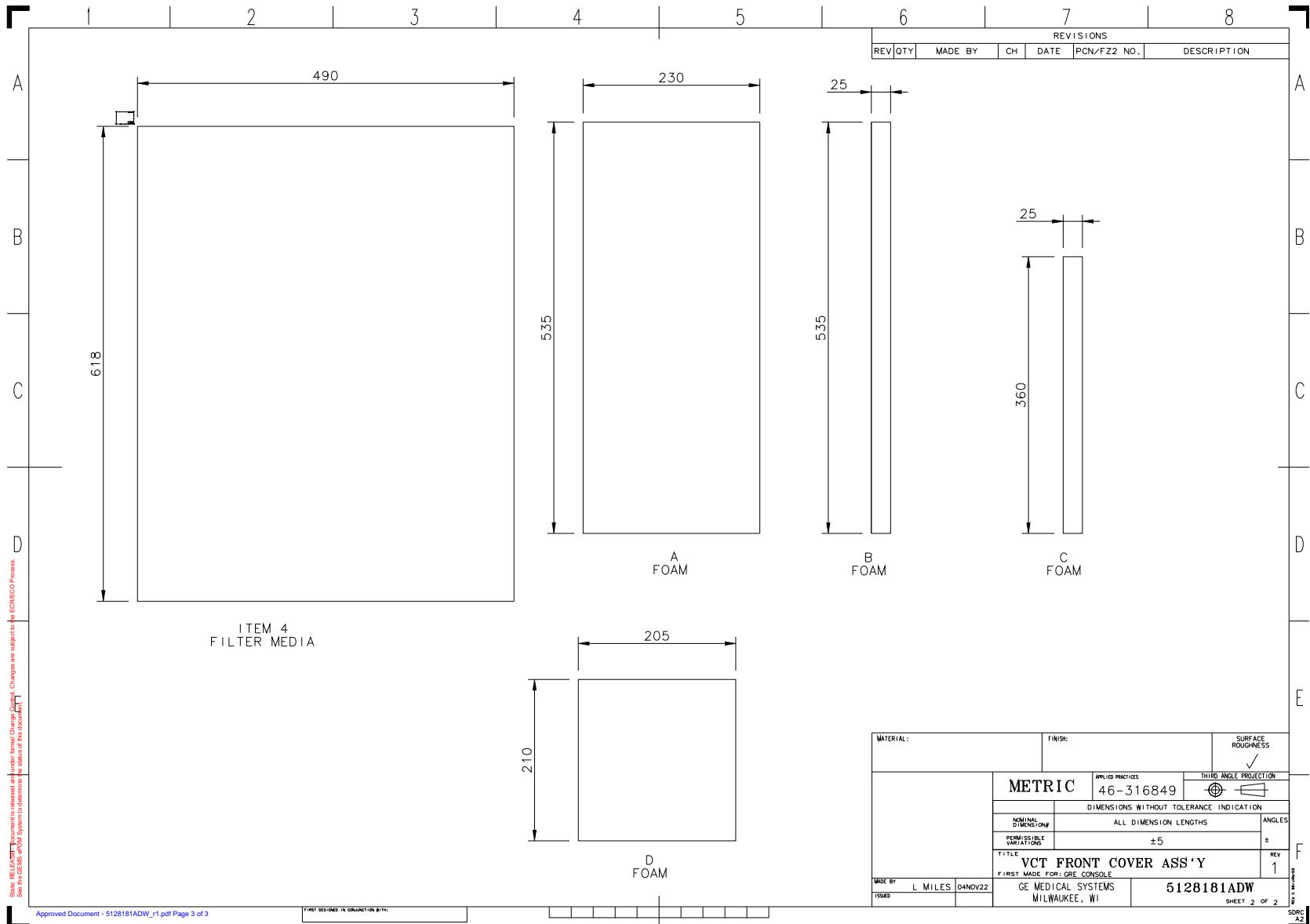


Figure 5-19 Cover Assy - Console Front (5128181 Sheet 2, Rev 1)

MARK	NUMBER	QTY	FRU CODE	DESCRIPTION/NAME
1	2369619	1.000	Yes	COVER, CONSOLE FRONT - GRE
2	5124020	1.000	Yes	Foam, Sound Absorbing - 54in Wd x 1in Thick
3	46-136246P18	3.210	Yes	1~ WIDE, WHT, ADH BACK, VELCRO HOOK 75 FT PER RL
4	5128180	1.000	Yes	Filter, 25 PPI Quadrafoam UL94 HF-1

**Table 5-20 Cover Assy - Console Front (5128181 BOM, Rev 1)**

**Section 3.0 — GOC4 - 16Slice MDAS & GDAS with xw8200, 1IG and Ethernet Switch, JARRELL (2377708-520)**

FRU = N

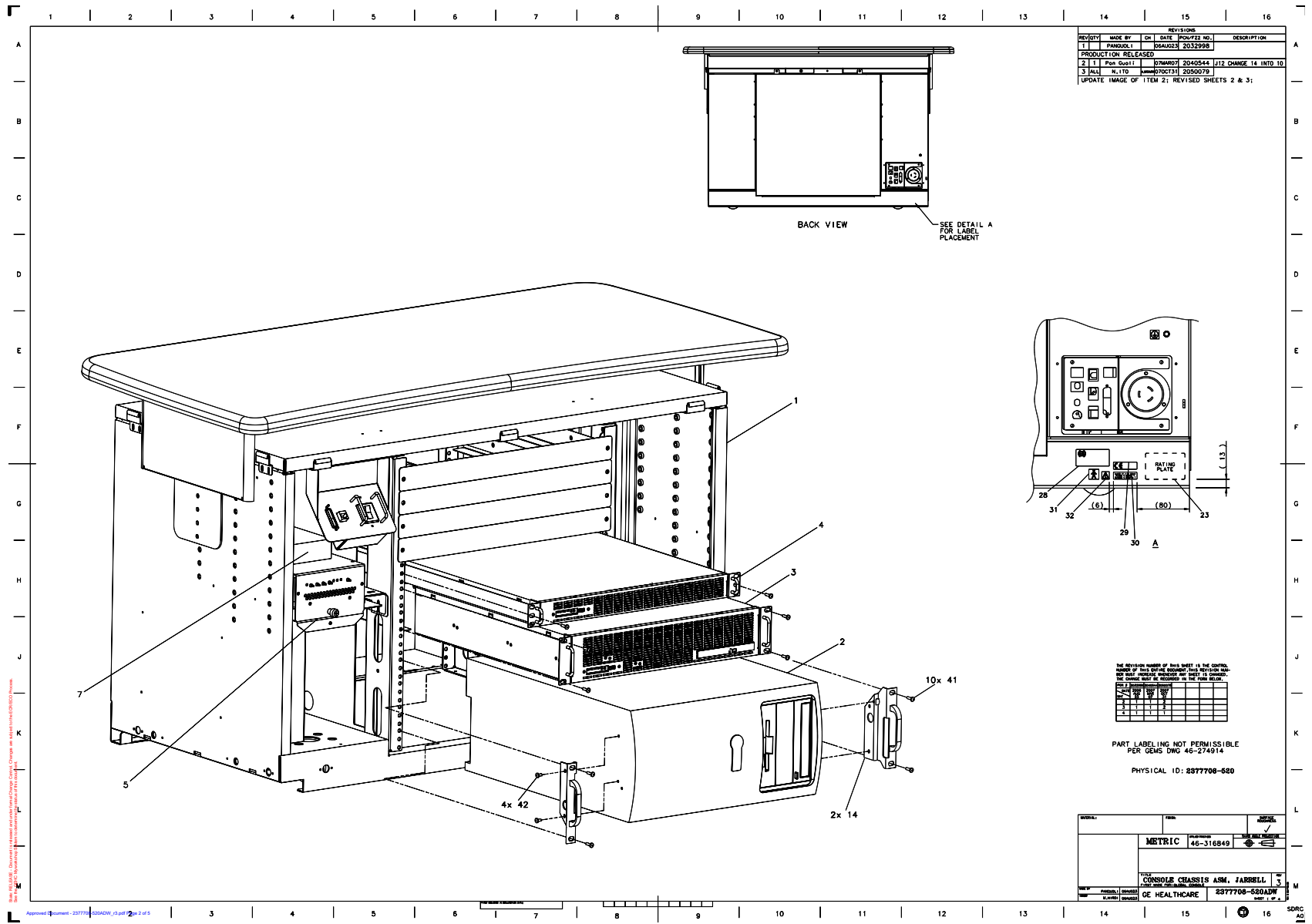


Figure 5-20 GOC4 16-Slice MDAS & GDAS, Jarrell (2377708-520ADW, Sheet 1, rev 3)

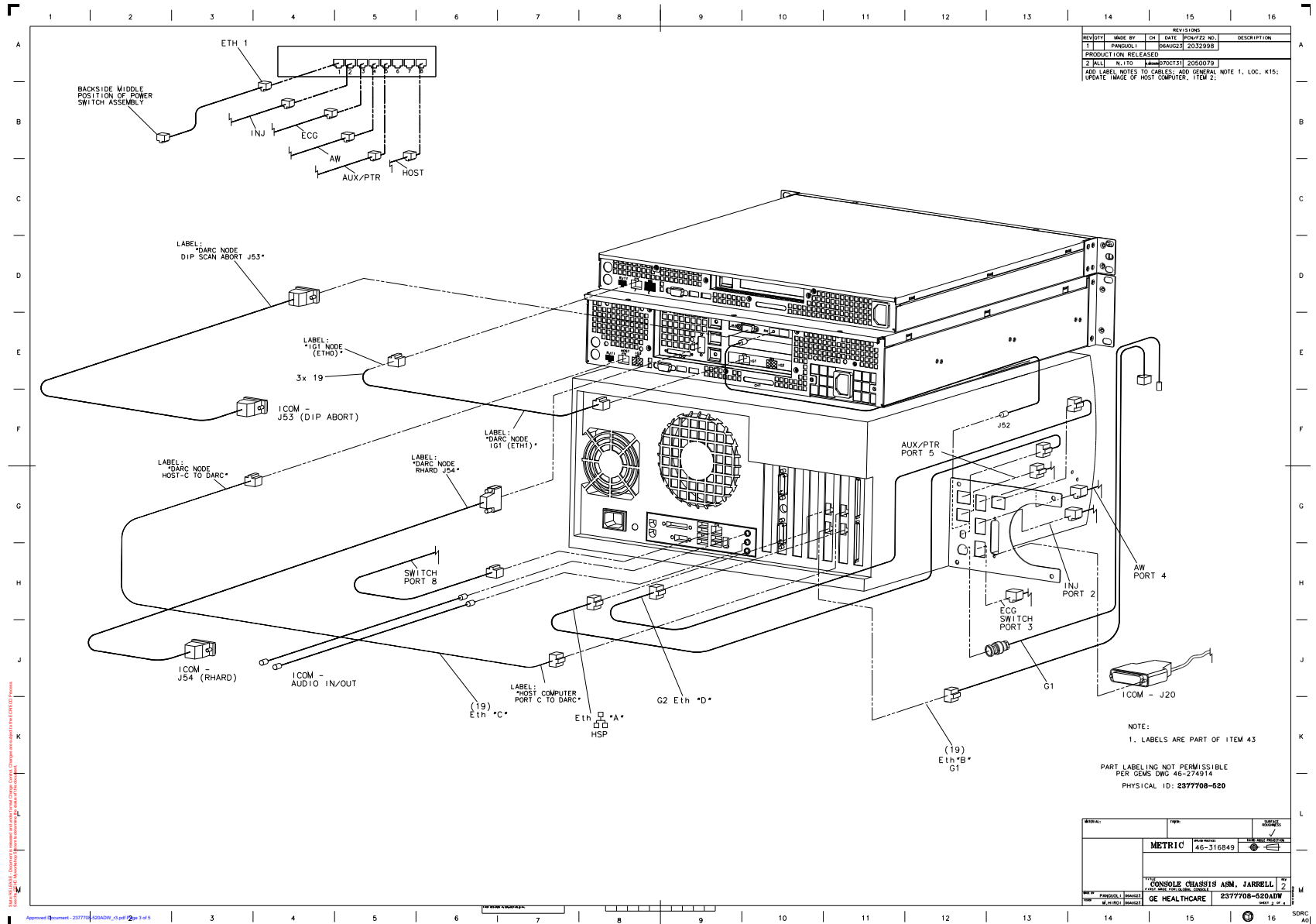


Figure 5-21 GOC4 16-Slice MDAS & GDAS, Jarrell (2377708-520ADW, Sheet 2, rev 2)



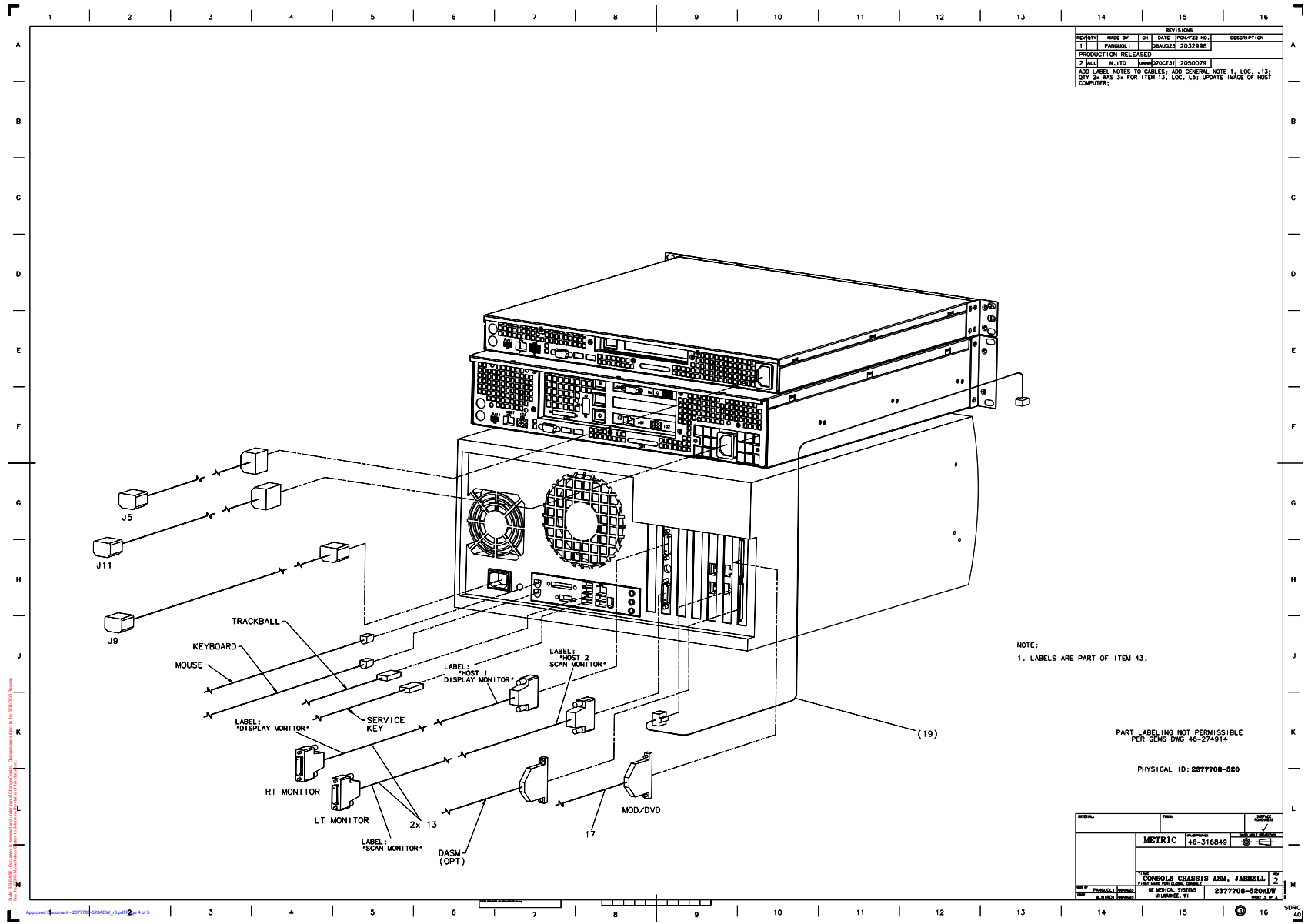


Figure 5-22 GOC4 16-Slice MDAS & GDAS, Jarrell (2377708-520ADW, Sheet 3, rev 2)

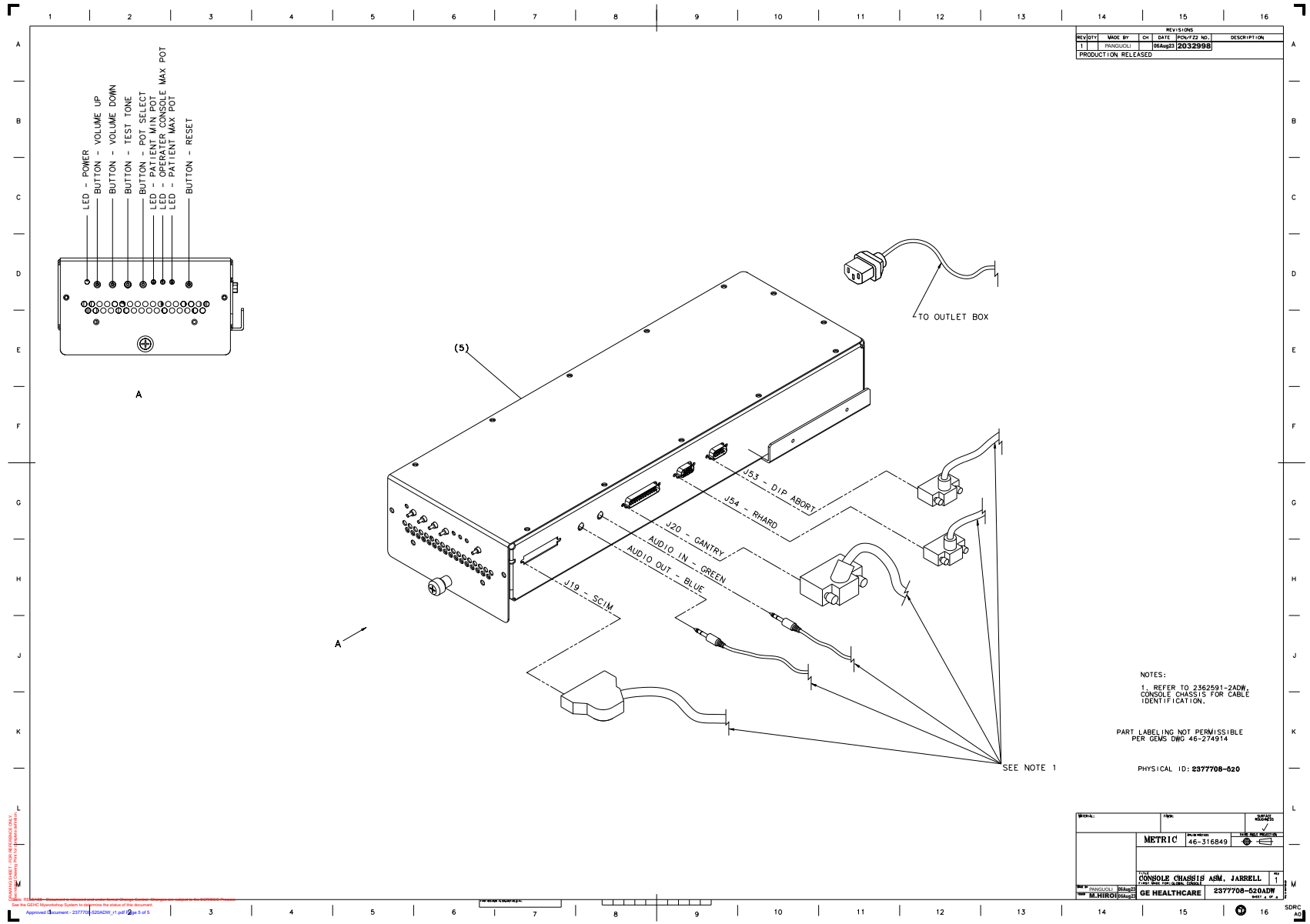


Figure 5-23 GOC4 16-Slice MDAS & GDAS, Jarrell (2377708-520ADW, Sheet 4, rev 1)

MARK	NUMBER	QTY	FRU CODE	DESCRIPTION/NAME
2	5117866-28 5117866-51 ** 5183547-38	1.0	Yes	Host Computer, CT USA VCT XW8200 GEHC CT VCT Integrated Buy Level PC HP8200 with FX1500 Graphics Card Host Computer
3	5147442 *	1.0	Yes	Computer - Data Acquisition Recon Control, 2nd Generation
4	5147443-2 *	1.0	Yes	Computer - Image Generation, 2nd Generation
5	2404320-2	1.0	Yes	CONSOLE INTERCOM PRESCRIBED-TILT HUB
6	5167410	1.0	Yes	Peripheral Tower, dual-bay, MOD-DVDram
7	5115334	1.0	Yes	Switch, Ethernet 8-port GBe
8	2368697-2	1.0	Yes	LINUX DDR WORKSTATION 3BUTTON PS2 MOUSE
9	2399753-2	1.0	Yes	TRACKBALL, RoHS - 3 BTTN USB for GRE
11	5128181	1.0	Yes	Cover Assy - Console Front
13	2304737-2	2.0	Yes	CABLE, DVI VIDEO CABLE - OCTANE II
17	2324697-2	1.0	Yes	SCSI CABLE, VHD68 TO CENT 50, LINUX
19	5127222-2	3.0	Yes	Cable, Ethernet, 2ft Lg - CAT5e, 4 twisted pair, 24awg solid copper, Shielded - aluminized polyester and tinned copper, gray PVC jacket, snagless PVC boot, Plugs - UL94V-0 rated polycarbonate with metallic strain relief, EIA-TIA568, UL listed, CMR rated,
25	46-136246P14	1.0	Yes	2~ WIDE, WHT, ADH BACK, VELCRO LOOP 25 YD
26	46-136246P21	1.0	Yes	2~ WIDE X 25 YD WHITE VELCRO HOOKS
29	2117390-2	1.0	Yes	CE Compliance and WEEE Labels
30	2132620	1.0	Yes	EMC LABEL CLASS A GROUP 1
31	46-279769P1	1.0	Yes	IEC TYPE B SYMBOL
35	2214164	1.0	Yes	5.25~ 2.3GB 512 BYTES/SECTOR MOD
36	2337414	2.0	Yes	DVD RAM MEDIA, 9.4 GB
39	46-208758P3	6.0	Yes	7.31~ X .184~ SELF-LOCKING CABLE TIE 1/16~ TO 1-3/4~ WIRE BUNDLE RANGE. 50LB TENSILE STRENGTH, NYLON MATR~L.
42	2103585-2	4.0	Yes	SCREW PAN HEAD 4 MM 10 MM SPRING WASHER, ZINC PLATED, STEEL
44	46-208747P2	1.0	Yes	ADHESIVE MOUNT - CABLE TIE

Table 4: GOC4 16-Slice MDAS & GDAS, Jarrell (2377708-520BOM, rev 10)

MARK	NUMBER	QTY	FRU CODE	DESCRIPTION/NAME
45	46-208758P1	1.0	Yes	3.62~ X .094~ CABLE TIE 1/16~ TO 5/8~ WIRE BUNDLE RANGE 18LB TENSILE STRENGTH, NYLON MATR'L.
46	46-208758P9	1.0	Yes	11.08~X .140~ SELF-LOCKING CABLE TIE 1/16~ TO 3~ WIRE BUNDLE RANGE. 40LB TENSILE STRENGTH, NYLON MATR~L. (DWG REV 5/92, JFK - OK). .
1	5165396	1.0	No	FWS GOC4 chassis,make parts.
14	2366442-27	2.0	No	BRACKET, RACK MOUNT HOST COMPUTER
23	46-302200P1	1.0	No	RATING PLATE W/ SN, MN_ & RATINGS
28	2386393-2	1.0	No	LABEL, ETL COMPONENT APPROVAL, INFORMATION TECHNOLOGY EQUIPMENT
32	46-269337P6	1.0	No	LABEL OLD
33	2240540	1.0	No	NETSCAPE LICENSE
41	46-312358P51	10.0	No	M5 X 0.8 X 12MM METRIC FREEDRIV ZINC PLATED CROSS RECESSED PAN HEAD MACHINE SCREW
43	5194414-2	1.0	No	Cable Labels for GRE

Note: \* Software 06MW29.x or greater is required for Jarrell DARC/IG. If software is not as required, upgrade software to required version at first.

\*\* Software 07MW11.x or greater is required for Host Computer with FX1500 Graphics Card. If software is not as required, upgrade software to required version at first.

Table 4: GOC4 16-Slice MDAS & GDAS, Jarrell (2377708-520BOM, rev 10)



### **3.1 FWS GOC4 Chassis Assembly (5165396)**

Refer to {*For further detail, see [Section 2.1.1 FWS GOC4 Chassis Assembly \(5165396\), Page430.](#)*}



### **3.2 Console Intercom Prescribed-Tilt Hub (2404320)**

Refer to {*For further detail, see [Section 2.1.2 Console Intercom Prescribed-Tilt Hub \(2404320\), Page434.](#)*}





### **3.3 Cover Assy - Console Front (5128181)**

Refer to {*For further detail, see [Section 2.1.4 Cover Assy - Console Front \(5128181\), Page438.](#)*}

**Section 4.0 — LCGOC - 4/8 slice MDAS & GDAS with xw8200, Ethernet Switch (5377708-120)**

MARK	NUMBER	QTY	FRU CODE	DESCRIPTION/NAME
1	5378862-120	1.000	N	LCGOC Freedom Workspace
2	5165238	1.000	N	Rating plate of LCGOC console

Table 5-1 LCGOC 4/8 Slice MDAS & GDAS (5377708-120BOM, rev 3)

### 4.1 LCGOC (5378862-120)

FRU = NO

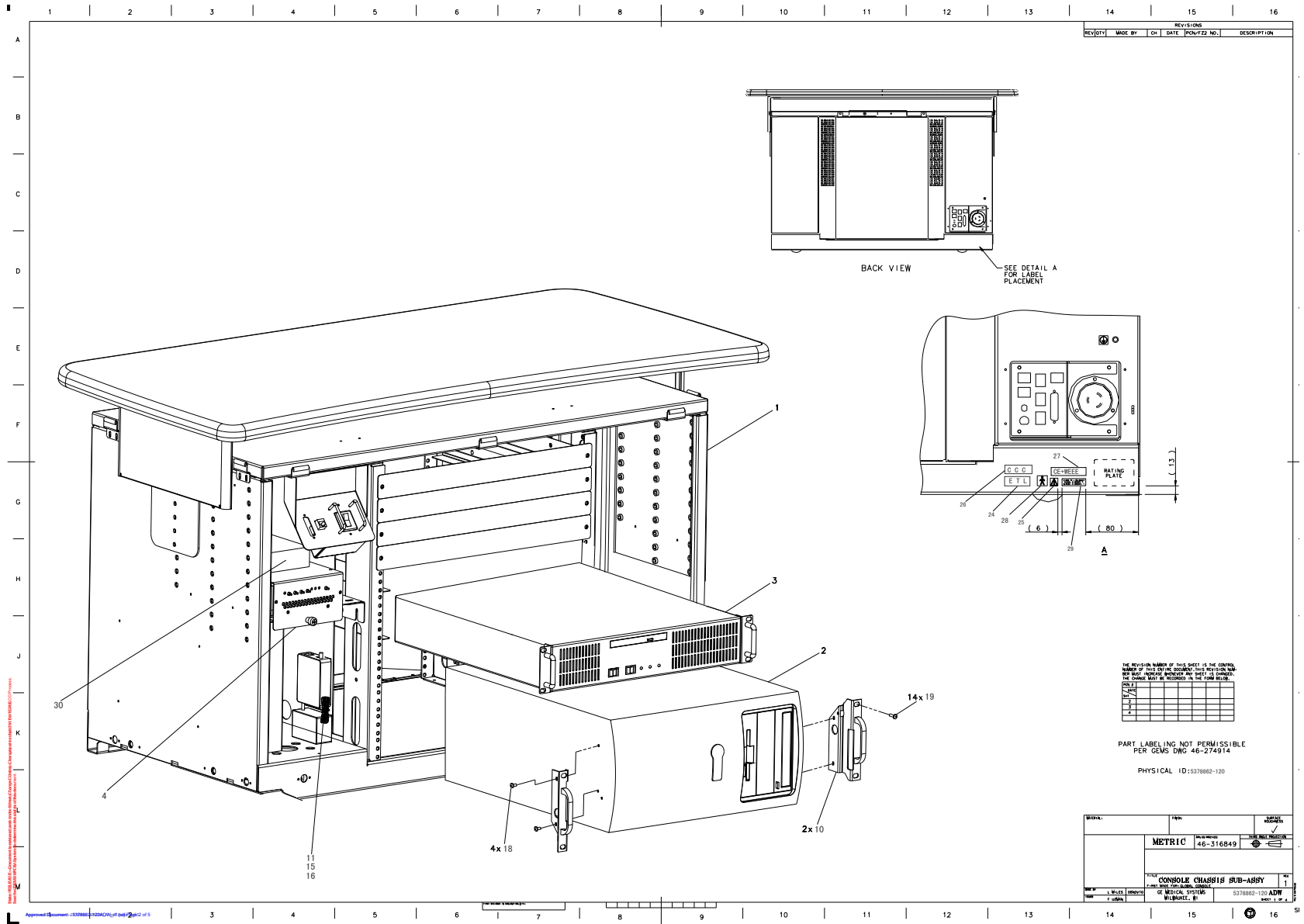


Figure 5-1 LCGOC Freedom Workspace (5378862-120 Sheet 1, Rev 1)

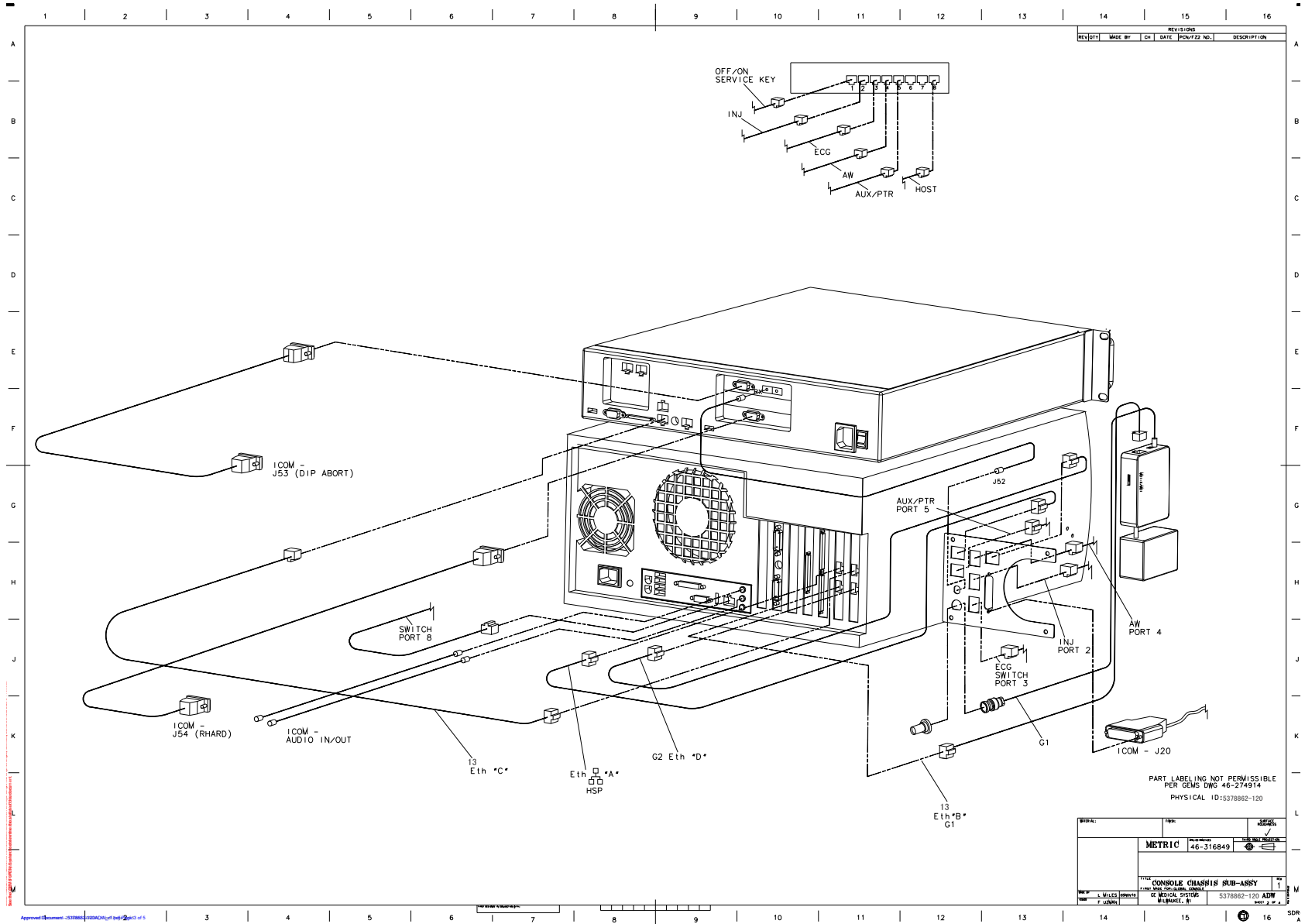


Figure 5-2 LCGOC Freedom Workspace (5378862-120 Sheet 2, Rev 1)

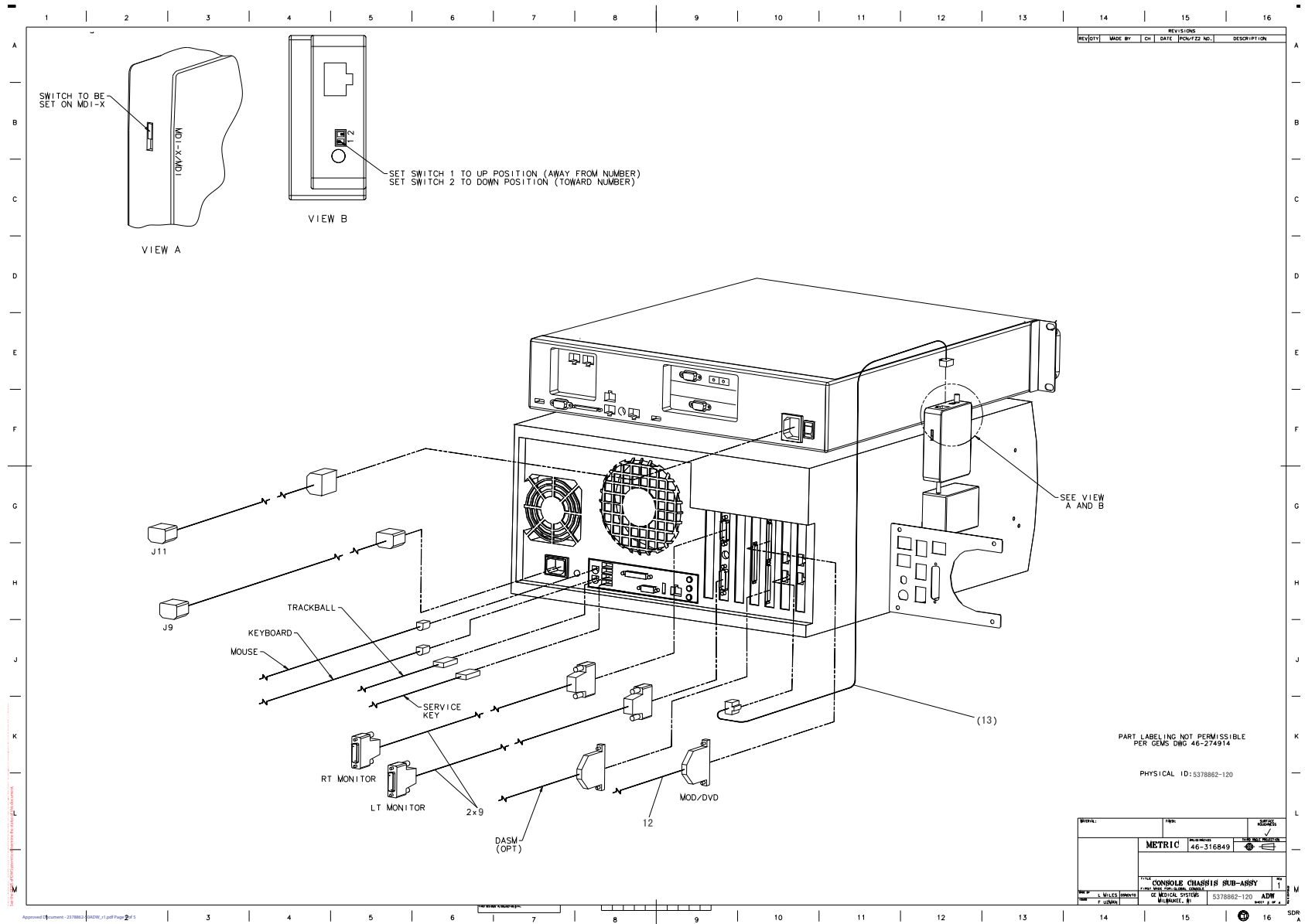


Figure 5-3 LCGOC Freedom Workspace (5378862-120 Sheet 3, Rev 1)

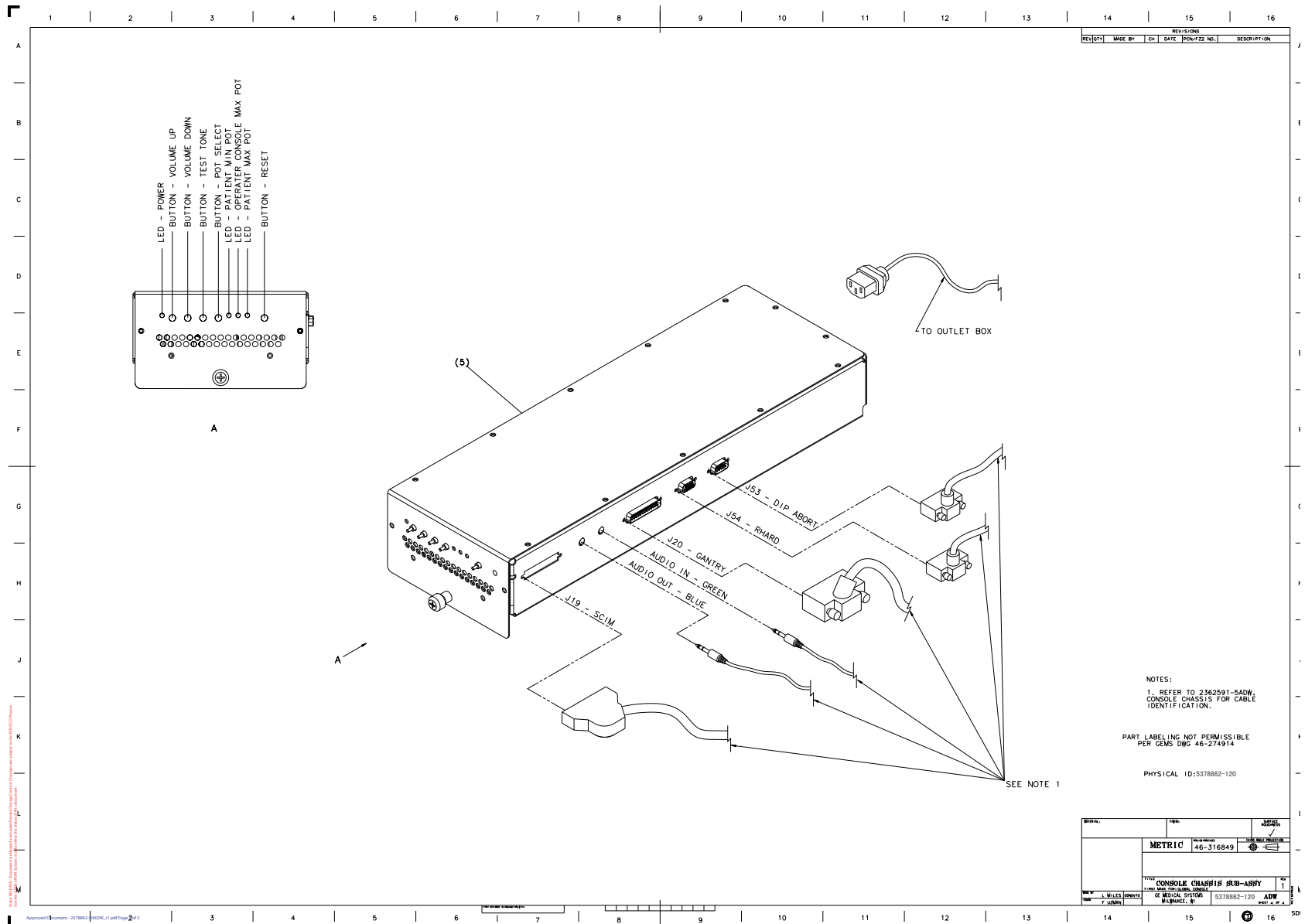


Figure 5-4 LCGOC Freedom Workspace (5378862-120 Sheet 4, Rev 1)

MARK	NUMBER	QTY	FRU CODE	DESCRIPTION/NAME
2	5117866-24 5117866-48 **	1.0	Yes	HOST COMPUTER, CT USA 4,8,16-SLICE XW8200. GEHC PET,CT 4,8,16 SLICE INTEGRATED BUY LEVEL HP8200 WITH FX1500 GRAPHICS CARD HOST COMPUTER.
3	5114772	1.0	Yes	DARC COMPUTER - DUAL DISK H16 MDAS, GDAS
4	2404320	1.0	Yes	CONSOLE INTERCOM PRESCRIBED-TILT HUB
5	5116391-2	1.0	Yes	SCSI TOWER ASSY
6	2368697-2	1.0	Yes	LINUX DDR WORKSTATION 3BUTTON PS2 MOUSE
7	2399753-2	1.0	Yes	TRACKBALL, ROHS - 3 BTTN USB FOR GRE
8	5128181	1.0	Yes	COVER ASSY - CONSOLE FRONT
9	2304737-2	2.0	Yes	CABLE, DVI VIDEO CABLE - OCTANE II
12	2324697-2	1.0	Yes	SCSI CABLE, VHD68 TO CENT 50, LINUX
13	2374965-2	2.0	Yes	CABLE - ETHERNET CAT5E X 610MM LG
15	46-136246P14	60.0	Yes	2~ WIDE, WHT, ADH BACK, VELCRO LOOP 25 YD
16	46-136246P21	60.0	Yes	2~ WIDE X 25 YD WHITE VELCRO HOOKS
17	46-208781P2	4.0	Yes	WRITE-ON LABEL FOR MARKING CABLES WHITE ADHESIVE BACKED 0.75~ X 1.90~. UNMARKED, 2,500 PC FAN-FOLD SHEETS (FULL SIZE = 1.9~ X 3.15~.)
18	2103585-2	4.0	Yes	SCREW PAN HEAD 4 MM 10 MM SPRING WASHER, ZINC PLATED, STEEL
21	2337414	2.0	Yes	DVD RAM MEDIA, 9.4 GB
23	46-208758P3	6.0	Yes	7.31~ X .184~ SELF-LOCKING CABLE TIE 1/16~ TO 1-3/4~ WIRE BUNDLE RANGE. 50LB TENSILE STRENGTH, NYLON MATR~L.
27	2117390-2	1.0	Yes	CE COMPLIANCE AND WEEE LABELS
28	46-279769P1	1.0	Yes	IEC TYPE B SYMBOL
29	2132620	1.0	Yes	EMC LABEL CLASS A GROUP 1
30	5115334	1.0	Yes	SWITCH, ETHERNET 8-PORT GBE
31	46-208758P2	1.0	Yes	5.5~ X .140~ SELF-LOCKING CABLE TIE. 1/16~ TO 1-1/4~ WIRE BUNDLE RANGE. 30LB TENSILE STRENGTH, NYLON MATR~L.
32	46-208747P1	1.0	Yes	ADHESIVE MOUNT - CABLE TIE PANDUIT CORP, ABMM-A(STYLE A)
1	5165396	1.0	No	FWS GOC4 CHASSIS,MAKE PARTS.

Table 5-2 LCGOC Freedom Workspace (5378862-120 BOM, Rev 7)



MARK	NUMBER	QTY	FRU CODE	DESCRIPTION/NAME
10	2366442-27	2.0	No	BRACKET, RACK MOUNT HOST COMPUTER
19	46-312358P51	14.0	No	M5 X 0.8 X 12MM METRIC FREEDRIV ZINC PLATED CROSS RECESSED PAN HEAD MACHINE SCREW
20	2240540	1.0	No	NETSCAPE LICENSE
24	5133331	1.0	No	ETL Label for OC
25	46-269337P6	1.0	No	LABEL OLD

Note: \*\* Software 07MW11.x or greater is required for Host Computer with FX1500 Graphics Card. If software is not as required, upgrade software to required version at first.

Table 5-2 LCGOC Freedom Workspace (5378862-120 BOM, Rev 7)

#### **4.1.1 LCGOC Chassis (5165396)**

Refer to {*For further detail, see [Section 2.1.1 FWS GOC4 Chassis Assembly \(5165396\), Page430.](#)*}



#### **4.1.2 Console Intercom Prescribed-Tilt Hub (2404320)**

Refer to {*For further detail, see [Section 2.1.2 Console Intercom Prescribed-Tilt Hub \(2404320\), Page434.](#)*}



4.1.3 SCSI Tower Assy (5116391-2)

FRU = NO

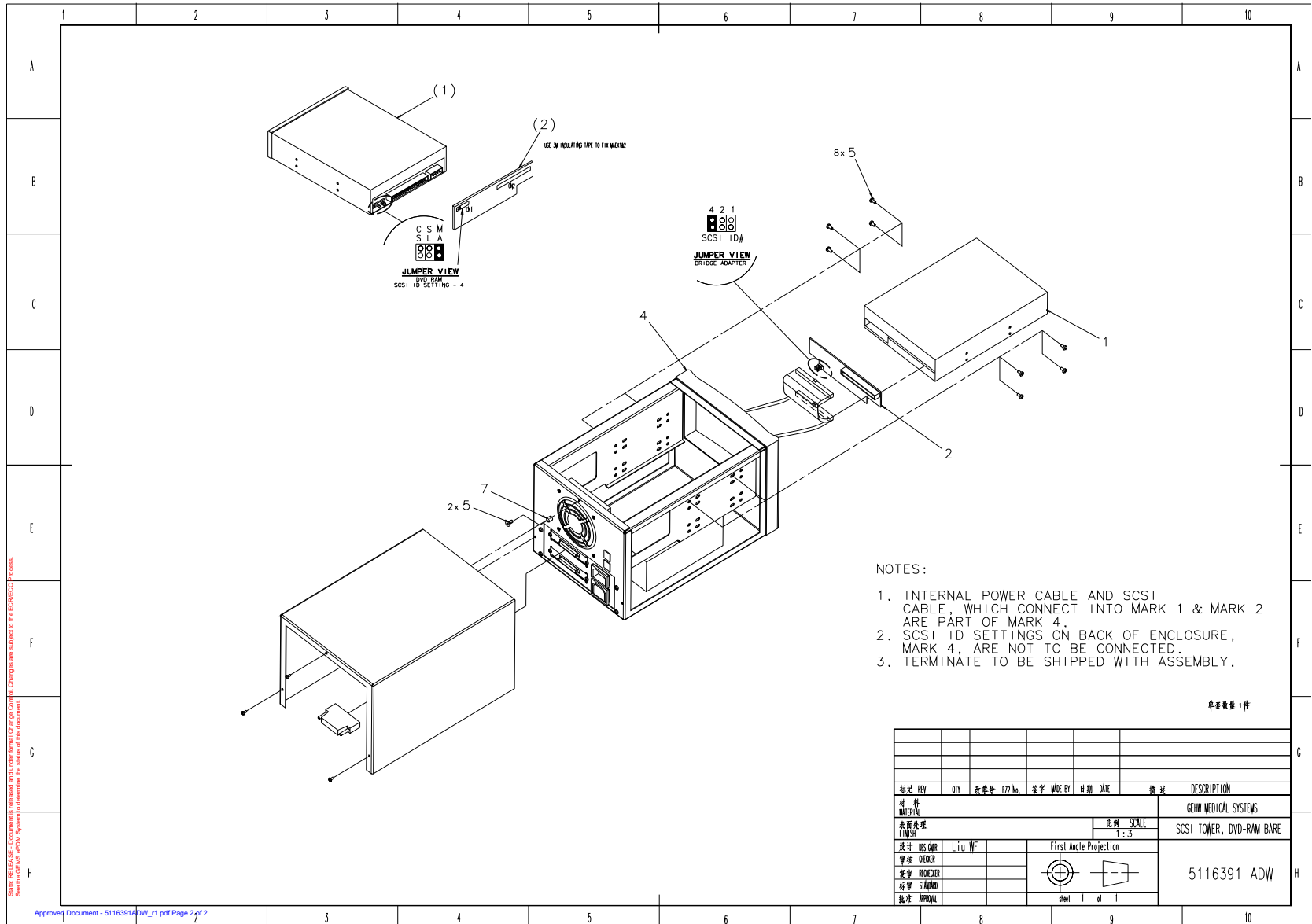


Figure 5-5 SCSI Tower Assy (5116391 Sheet 1, Rev 1)

MARK	NUMBER	QTY	FRU	DESCRIPTION
5	46-328421P501	1.000	Yes	SCREW PAN HEAD 3 MM 5 MM
1	2398863	1.000	N	DVD-RAM MULTI-DRIVE 4.7GB
2	2404031	1.000	N	SCSI TO IDE ADAPTER
4	2401055	1.000	N	SCSI TOWER

Table 5-3 SCSI Tower Assy (5116391-2 BOM, Rev 1)

#### **4.1.4 Cover Assy - Console Front (5128181)**

Refer to {*For further detail, see [Section 2.1.4 Cover Assy - Console Front \(5128181\), Page438.](#)*}



**Section 5.0 — LCGOC - 4/8 Slice MDAS & GDAS with xw8200, Ethernet Switch, JARRELL (5377708-520)**

FRU = NO

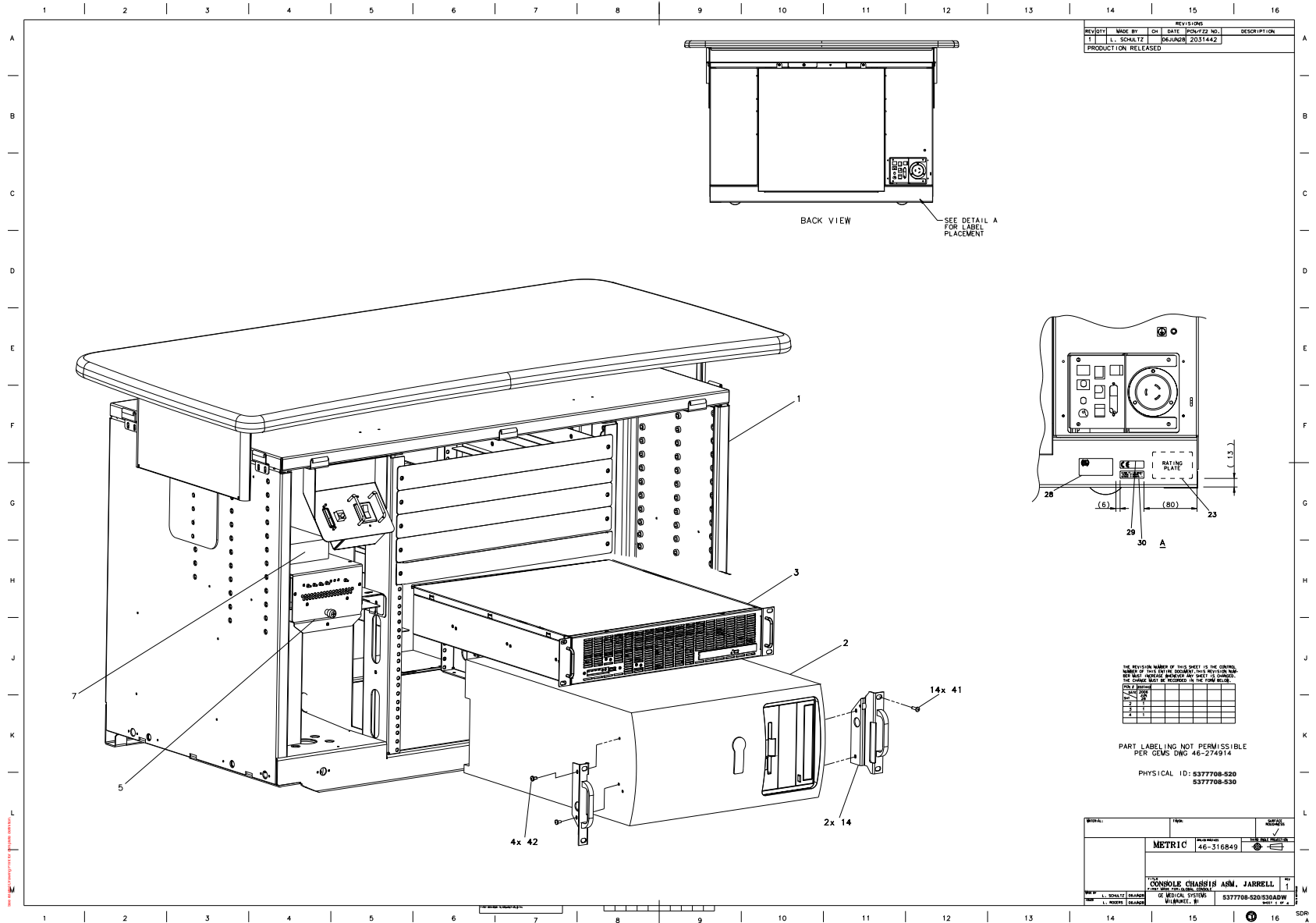


Figure 5-6 LCGOC 4/8 Slice MDAS & GDAS, Jarrell (5377708-520ADW, Sheet 1, Rev 1)

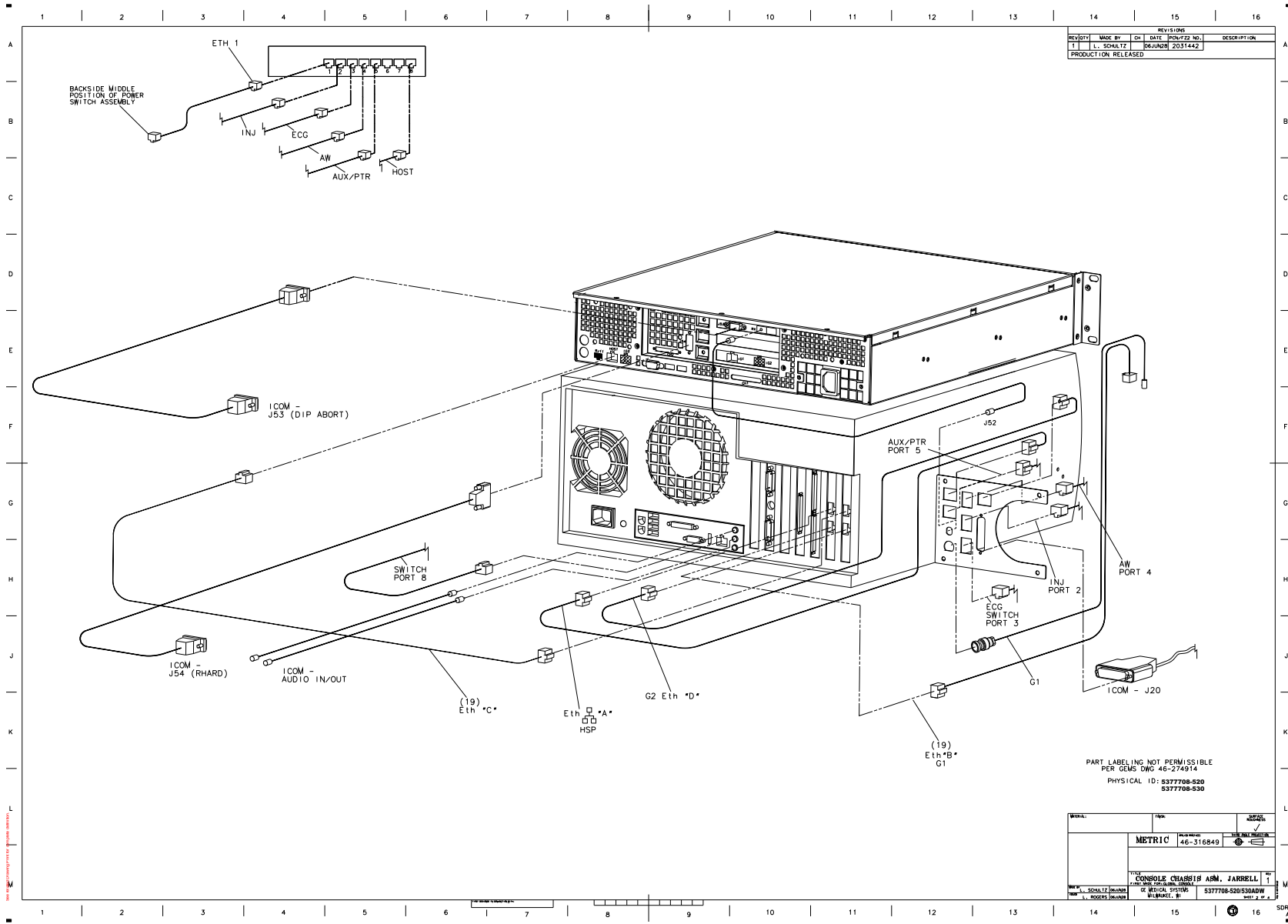


Figure 5-7 LCGOC 4/8 Slice MDAS & GDAS, Jarrell (5377708-520ADW, Sheet 2, Rev 1)

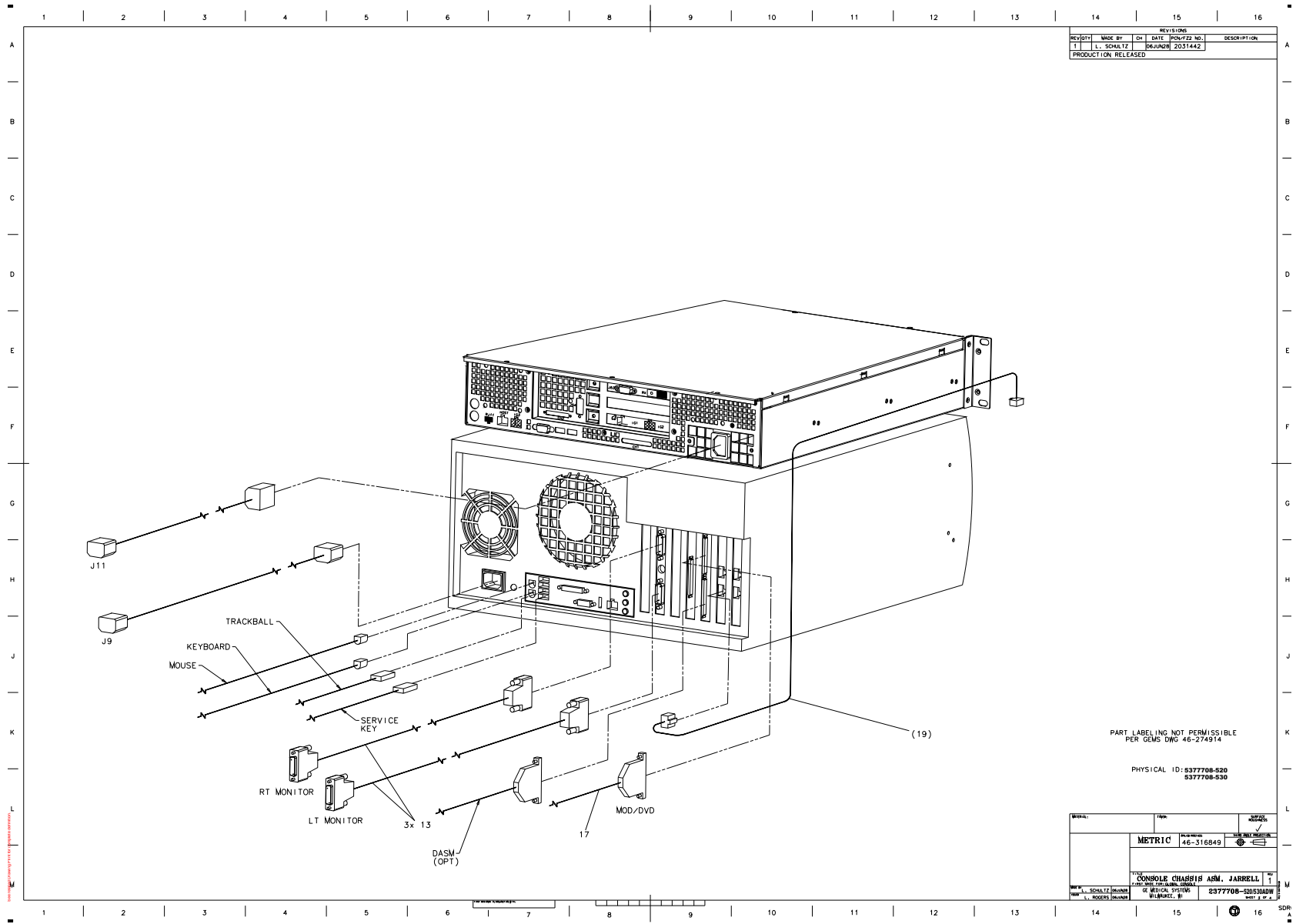


Figure 5-8 LCGOC 4/8 Slice MDAS & GDAS, Jarrell (5377708-520ADW, Sheet 3, Rev 1)

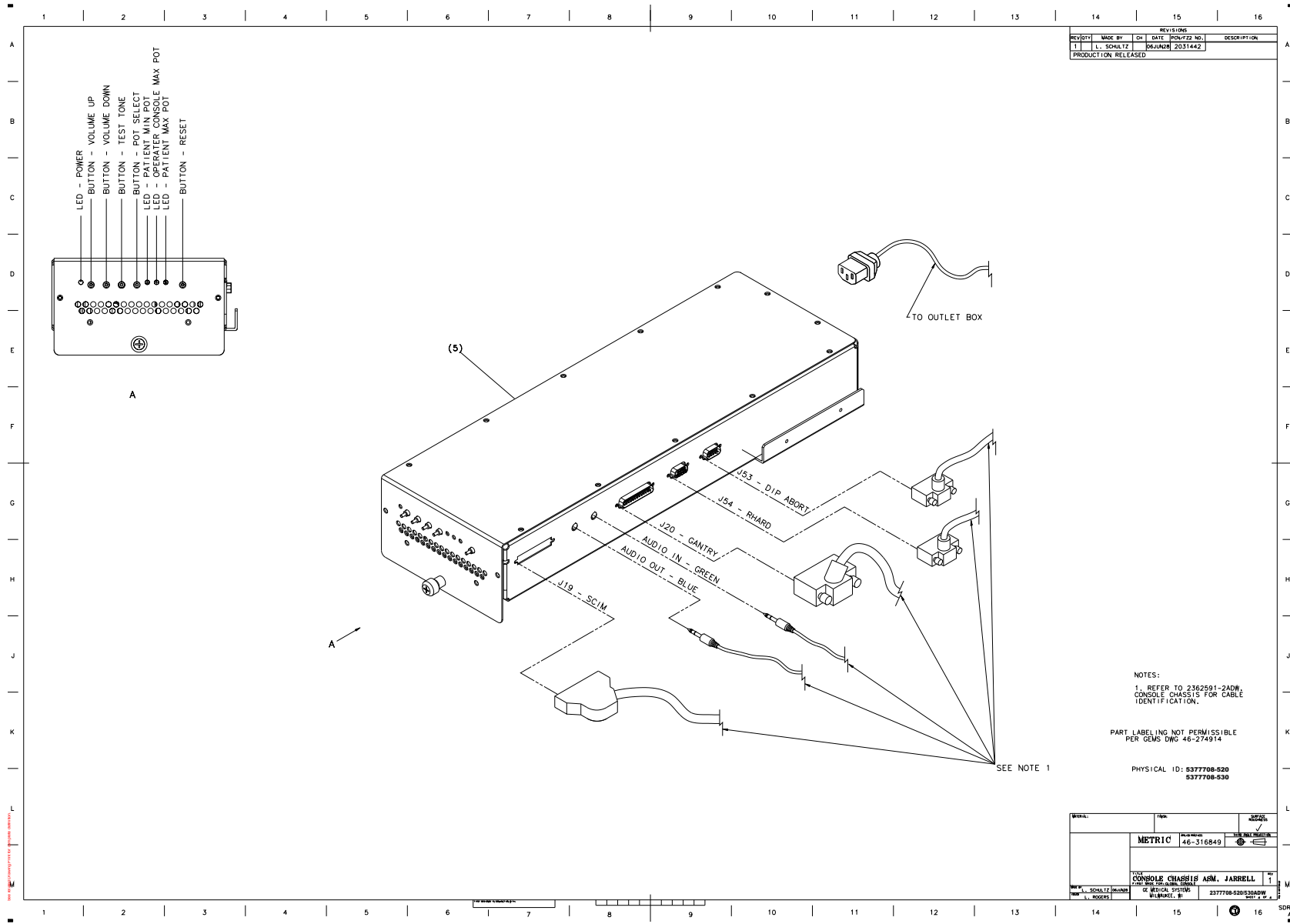


Figure 5-9 LCGOC 4/8 Slice MDAS & GDAS, Jarrell (5377708-520ADW, Sheet 4, Rev 1)

MARK	NUMBER	QTY	FRU	DESCRIPTION
2	5183547-38	1.0	Yes	GEHC MI and CT Integrated Buy Level PC Workstation. HP8400 with 4GB Memory
3	5147442	1.0	Yes	COMPUTER - DATA ACQUISITION RECON CONTROL, 2ND GENERATION
5	2404320-2	1.0	Yes	CONSOLE INTERCOM PRESCRIBED-TILT HUB
6	5116391-2	1.0	Yes	SCSI TOWER ASSY
7	5115334	1.0	Yes	SWITCH, ETHERNET 8-PORT GBE
8	5132092	1.0	Yes	Three Button Optical Mouse
11	5128181	1.0	Yes	COVER ASSY - CONSOLE FRONT
13	2304737-2	2.0	Yes	CABLE, DVI VIDEO CABLE - OCTANE II
17	2324697-2	1.0	Yes	SCSI CABLE, VHD68 TO CENT 50, LINUX
19	5127222-2	2.0	Yes	CABLE, ETHERNET, 2FT LG - CAT5E, 4 TWISTED PAIR, 24AWG SOLID COPPER, SHIELDED - ALUMINIZED POLYESTER AND TINNED COPPER, GRAY PVC JACKET, SNAGLESS PVC BOOT, PLUGS - UL94V-0 RATED POLYCARBONATE WITH METALLIC STRAIN RELIEF, EIA-TIA568, UL LISTED, CMR RATED,
25	46-136246P14	60.0	Yes	2~ WIDE, WHT, ADH BACK, VELCRO LOOP 25 YD
26	46-136246P21	60.0	Yes	2~ WIDE X 25 YD WHITE VELCRO HOOKS
27	46-208781P2	4.0	Yes	WRITE-ON LABEL FOR MARKING CABLES WHITE ADHESIVE BACKED 0.75~ X 1.90~. UNMARKED, 2,500 PC FAN-FOLD SHEETS (FULL SIZE = 1.9~ X 3.15~.)
29	2117390-2	1.0	Yes	CE COMPLIANCE AND WEEE LABELS
30	2132620	1.0	Yes	EMC LABEL CLASS A GROUP 1
36	2337414	2.0	Yes	DVD RAM MEDIA, 9.4 GB
39	46-208758P3	6.0	Yes	7.31~ X .184~ SELF-LOCKING CABLE TIE 1/16~ TO 1-3/4~ WIRE BUNDLE RANGE. 50LB TENSILE STRENGTH, NYLON MATR~L.
42	2103585-2	4.0	Yes	SCREW PAN HEAD 4 MM 10 MM SPRING WASHER, ZINC PLATED, STEEL
43	46-208758P2	1.0	Yes	5.5~ X .140~ SELF-LOCKING CABLE TIE. 1/16~ TO 1-1/4~ WIRE BUNDLE RANGE. 30LB TENSILE STRENGTH, NYLON MATR~L.
44	46-208747P1	1.0	Yes	ADHESIVE MOUNT - CABLE TIE PANDUIT CORP, ABMM-A(STYLE A)

Table 5-4 GRE Console, 4/8 Slice GDAS for BS with XW8200, Ethernet Switch and Jarrell (5377708-520 BOM, Rev 13)

MARK	NUMBER	QTY	FRU	DESCRIPTION
1	5165396	1.0	No	FWS GOC4 CHASSIS,MAKE PARTS.
14	2366442-27	2.0	No	BRACKET, RACK MOUNT HOST COMPUTER
23	5183979	1.0	No	HIVALUE 4,8 JARRELL LCGOC RATING PLATE
28	5133331	1.0	No	ETL LABEL FOR OC
33	2240540	1.0	No	NETSCAPE LICENSE
41	46-312358P51	8.0	No	M5 X 0.8 X 12MM METRIC FREEDRIV ZINC PLATED CROSS RECESSED PAN HEAD MACHINE SCREW
45	5194414-2	1.0	No	Cable Labels for GRE

**Table 5-4 GRE Console, 4/8 Slice GDAS for BS with XW8200, Ethernet Switch and Jarrell (5377708-520 BOM, Rev 13)**



## 5.1 LCGOC Chassis (5165396)

Refer to {*For further detail, see [Section 2.1.1 FWS GOC4 Chassis Assembly \(5165396\), Page430.](#)*}





## 5.2 Console Intercom Prescribed-Tilt Hub (2404320-2)

FRU = YES

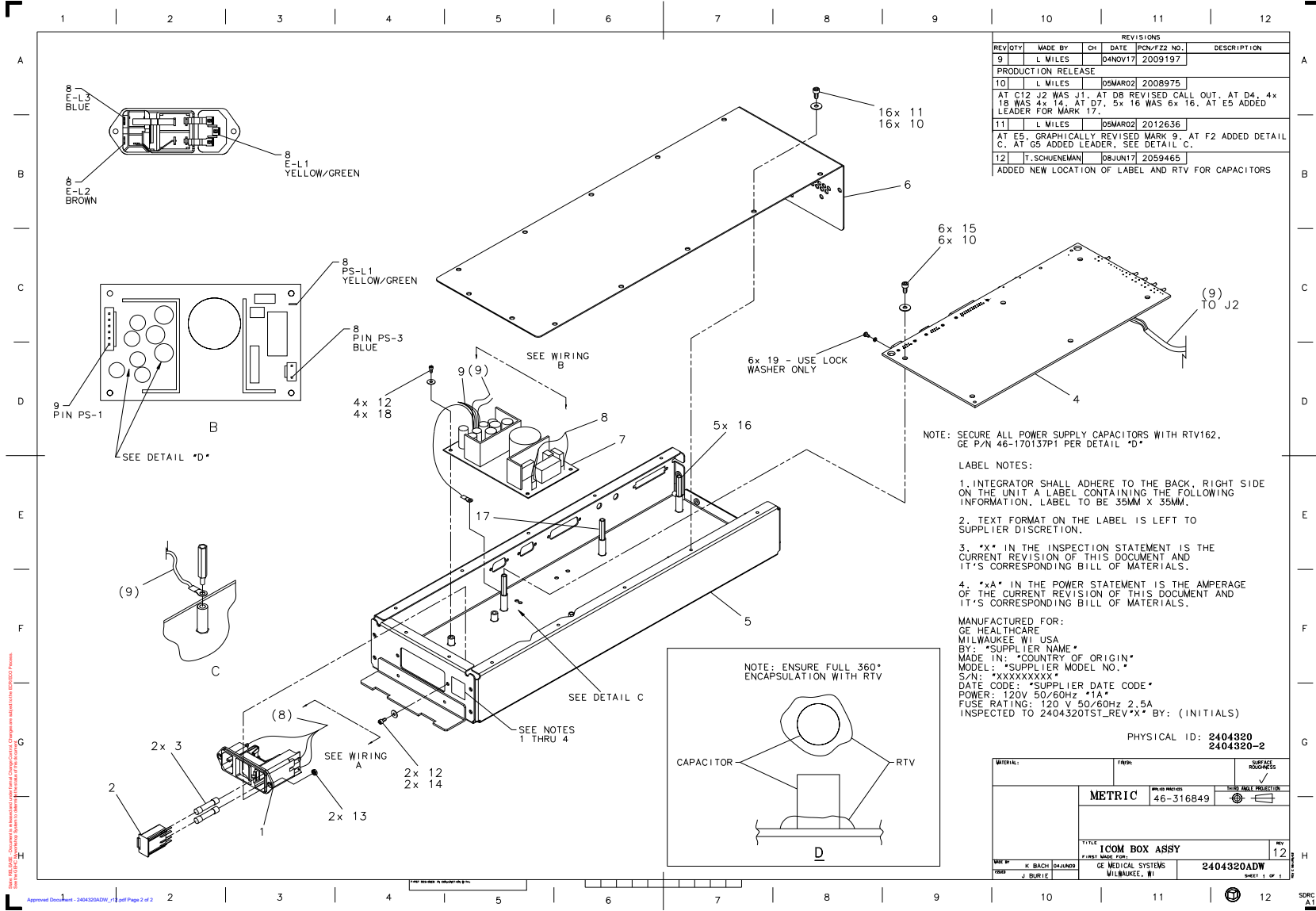


Figure 5-10 Console Intercom Prescribed-Tilt Hub (2404320-2 ADW, sheet 1, rev 2)

MARK	NUMBER	QTY	FRU	DESCRIPTION
3	2374694	2.000	Yes	8A TIME DELAY FUSES
10	46-312577P14	22.000	Yes	SCREW HEAD CAP SCREW STEEL ZINC PLATED (FULL THREAD) PROPERTY CLASS 8.8 ***THIS PART IS REPLACED BY 46-328417P3***
11	46-328430P2	16.000	Yes	WASHER PLAIN - NORMAL 4.3 MM 9 MM ZINC PLATED, STEEL
13	46-312346P1	2.000	Yes	M3 X 0.5 ZINC PLATED METRIC HEX NUT WITH ATTACHED TOOTH LOCK WASHER
15	46-214941P2	6.000	Yes	FLAT WASHER, NYLON, M4
19	46-221417P1	3.000	Yes	FEMALE SCREWLOCKS, TWO PER KIT FOR HD CONNECTORS 4-40 THREAD 0.5~ OVERALL LENGTH, YELLOW CHROMATE 0.312~ BOTTOM, 0.062~ PANEL THK. MAX (KIT INCLUDES NUTS AND WASHERS
1	2370567	1.000	N	POWER ENTRY MODULE 2 POLE FUSING
2	2374174	1.000	N	POWER ENTRY FUSE DRAWER
4	5233006	1.000	N	GRE INTERCOM PWA
5	5114920-2	1.000	N	Chassis Base, ICOM
6	5114921	1.000	N	CT Intercom Box Chassis Cover
7	5304856	1.000	N	Power supply triple output 90-264V 47-63 HZ AC IN 5V 7A +12V 3A -12V 2.5A OUT
8	5115179	1.000	N	Cable Harness Power Entry To Power Supply
9	5115180	1.000	N	Cable Harness Power Supply To Pwa
12	2276462	6.000	N	METRIC PLAIN FLAT WASHER 3.2MM ID X 7MM OD
14	46-312577P4	2.000	N	SCREW HEAD CAP SCREW STEEL ZINC PLATED (FULL THREAD) PROPERTY CLASS 8.8
16	2209282-3	5.000	N	HEX STANDOFF MALE/FEMALE M4 X 25MM
17	5128595	1.000	N	M4 x 25mm male female nylon hex stand off
18	46-328417P73	4.000	N	SCREW HEXAGON SOCKET 3 MM 6 MM

Table 5-5 Console Intercom Prescribed - Tilt Hub (2404320-2 BOM, rev 2)

### **5.3 SCSI Tower ASSY (5116391-2)**

Refer to {*For further detail, see [Section 4.1.3 SCSI Tower Assy \(5116391-2\), Page464.](#)*}



## **5.4 Cover Assy - Console Front (5128181)**

Refer to {*For further detail, see [Section 2.1.4 Cover Assy - Console Front \(5128181\), Page438.](#)*}

**Section 6.0 — Sigle Piece Desktop Kit for Freedom Workspace (5166834)**

FRU = NO

MARK	NUMBER	QTY	FRU	DESCRIPTION
2	2337534	1.0	Yes	SIDE COVERS GOC
1	2385783	1.0	No	TABLE TOP ASSEMBLY, KEYBOARD
3	2318681-2	1.0	No	LEFT ANTI-TIP LEG, CONSOLE CHASSIS
4	2318681-3	1.0	No	RIGHT ANTI-TIP LEG, CONSOLE CHASSIS
5	2109867-28	6.0	No	SCREW HEX SOCKET CAP M10X60/32 A2-70
6	2325236	2.0	No	LEVELER, CONSOLE ANTI-TIP LEGS

**Table 5-6 Sigle Piece Desktop Kit for Freedom Workspace (5166834 BOM, Rev 1)**

## 6.1 Side Covers GOC (2337534)

FRU = YES

MARK	NUMBER	QTY	FRU	DESCRIPTION
1	2315656	1.0	Yes	RIGHT SIDE COVER, GLOBAL CONSOLE
	2315656-2	1.0	Yes	LEFT SIDE COVER, GLOBAL CONSOLE

Table 5-7 Side Covers GOC (2337534BOM, Rev 0)



## Section 7.0 — Freedom Workspace Side by Side Kit (5166569)

FRU = NO

MARK	NUMBER	QTY	FRU	DESCRIPTION
4	5160577	1.0	Yes	OC LONG CABLE KIT
1	2337534-3	1.0	No	FREEDOM WORKSPACE SIDE COVER
2	5168666	1.0	No	Freedom Workspace Table
5	5166671	1.0	No	FWS CONSOLE CHASSIS MONITOR TABLETOP

Table 5-8 Freedom Workspace Side by Side Kit (5166569 BOM, Rev 4)

## 7.1 Freedom Workspace Side Cover (2337534-3)

FRU = NO

MARK	NUMBER	QTY	FRU	DESCRIPTION
1	2315656-5	1.0	Yes	FREEDOM WORKSPACE RIGHT SIDE COVERS FOR CONSOLE CHASSIS
2	2315656-6	1.0	Yes	FREEDOM WORKSPACE LEFT SIDE COVERS FOR CONSOLE CHASSIS

Table 5-9 Freedom Workspace Side Cover (2337534-3 BOM, Rev 1)



## 7.2 Freedom Workspace Table (5168666)

FRU = NO

MARK	NUMBER	QTY	FRU	DESCRIPTION
5	5160735-3	1.0	Yes	Freedom workspace Monitor mounting arms
6	46-328417P2	4.0	Yes	SCREW HEXAGON SOCKET 4 MM 8 MM ZINC PLATED, STEEL
8	46-328417P14	8.0	Yes	SCREW HEXAGON SOCKET 6 MM 20 MM ZINC PLATED, STEEL
9	46-328417P16	2.0	Yes	SCREW HEXAGON SOCKET 6 MM 30 MM ZINC PLATED, STEEL
12	46-208758P3	8.0	Yes	7.31~ X .184~ SELF-LOCKING CABLE TIE 1/16~ TO 1-3/4~ WIRE BUNDLE RANGE. 50LB TENSILE STRENGTH, NYLON MATR~L.
1	5168667	1.0	No	Left Leg Assy
2	5168670	1.0	No	Right Leg Assy
3	5168674	1.0	No	Drawer and Tabletop Assy
4	5168688	1.0	No	Crossbar
7	5168680	2.0	No	Anti seismic brkt
10	N9601WU	10.0	No	WASHER WASHER FL6.4X12.5X1.6SUS WASHER q[6.4X12.5X1.6SUS
11	2299432	2.0	No	U0067BF_ANCHOR

Table 5-10 Freedom Workspace Table (5168666 BOM, Rev 3)

## Section 8.0 — Associated Items

- For further detail, see [Section 8.1.1 LCD Monitor & Cable - 18 Inch \(2309592\)](#), Page489.
- For further detail, see [Section 8.1.2 LCD Monitor - 19 Inch \(B7858LC\)](#), Page489.
- For further detail, see [Section 8.1.3 LCD Monitor - Bigtide 19 Inch LCD monitor - white \(5128434-6\)](#), Page489.
- For further detail, see [Section 8.2 Keyboard w/SCIM, Collectors](#), Page490.
- For further detail, see [Section 8.3 Console Slide Service Kit \(2379135\)](#), Page494.
- For further detail, see [Section 8.4 Power Switch & Cables \(2379134\)](#), Page495.
- For further detail, see [Section 8.5 Modem Kit \(B7700MG\)](#), Page495.

## 8.1 Monitors

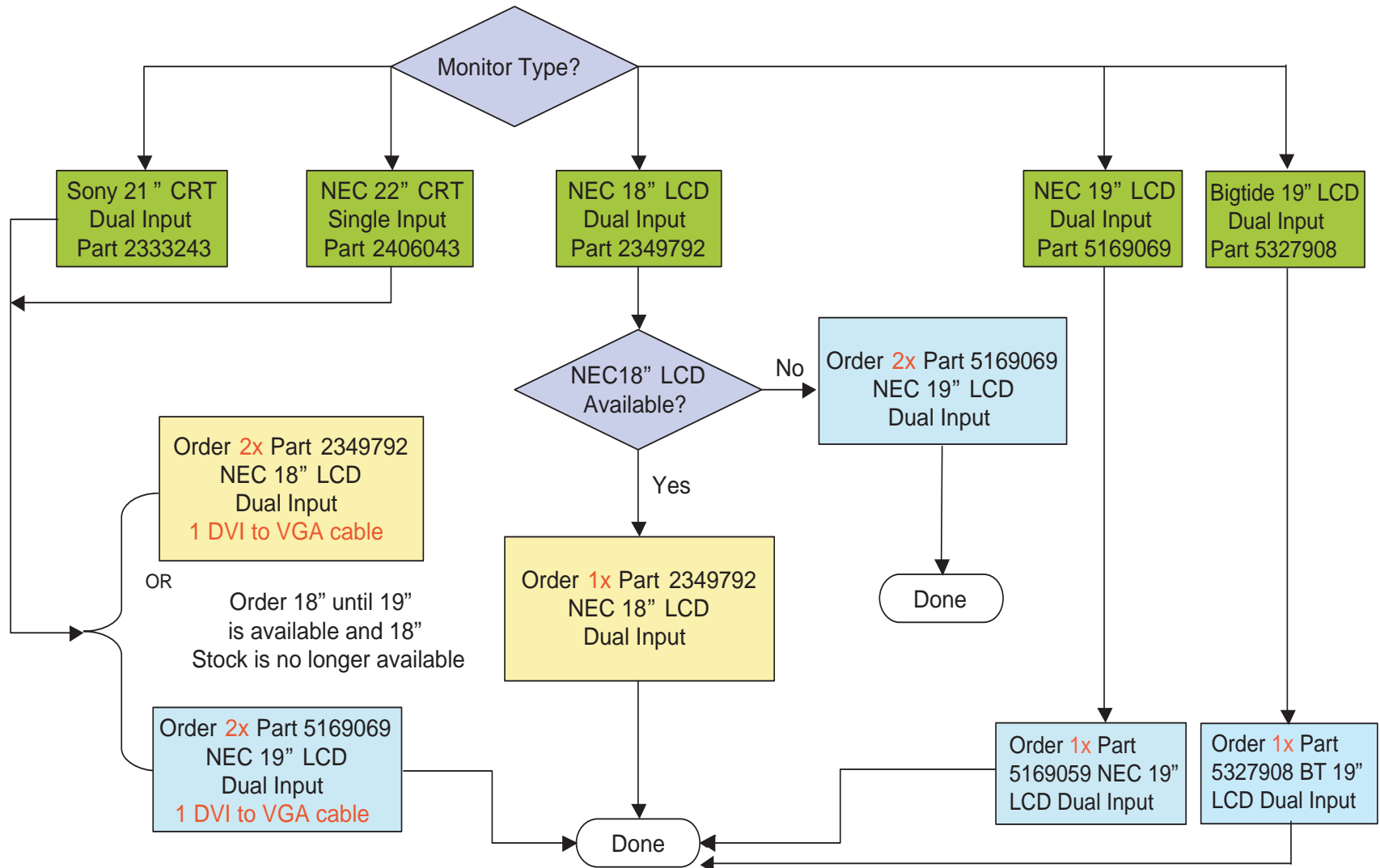


Figure 5-11 Monitor Selection Flowchart

**8.1.1 LCD Monitor & Cable - 18 Inch (2309592)**

FRU = NO

MARK	NUMBER	QTY	FRU CODE	DESCRIPTION/NAME
1	2349792	1.000	Yes	18.1 INCH LCD COLOR MONITOR
2	2295019	1.000	Yes	13W3-BD15 RGB LCD STRAIGHT CONN CBL

Table 5-11 LCD Monitor & Cable (2309592 BOM, rev 1)

**8.1.2 LCD Monitor - 19 Inch (B7858LC)**

MARK	NUMBER	QTY	FRU CODE	DESCRIPTION/NAME
1	5169069	2.000	Yes	OEM 19 INCHES COLOR MONITOR LCD 1990SXi - SILVER

Table 5-12 LCD Monitor (B7858LC BOM, rev 3)

**8.1.3 LCD Monitor - Bigtide 19 Inch LCD monitor - white (5128434-6)**

MARK	NUMBER	QTY	FRU CODE	DESCRIPTION/NAME
1	5327908	1.000	Yes	Bigtide 19 inch Color LCD Monitor-white
2	46-303268P1	1.000	Yes	PRODUCT LOCATOR CARD FORM FOR RATING PLATES, PRINTED BY DUPLITECH
3	5339033-1EN	1.000	No	Bigtide 19 inch LCD Monitor Option Installation

Table 5-13 LCD Monitor (5128434-6 BOM, rev 1)

## 8.2 Keyboard w/SCIM, Collectors



Figure 5-12 Keyboard & SCIM Assembly (Rev 11/15/00)



### 8.2.1 Keyboard w/SCIM Collector - English (2275758)

FRU = 1

MARK	NUMBER	QTY	FRU CODE	DESCRIPTION/NAME
1	2275756	1.000	Yes	KEYBOARD, NORTH AMERICAN
3	2275752	1.000	Yes	SCIM COLLECTOR - ENGLISH {For further detail, see SCIM Collector – English (2275752) on page 491.}
4	2323942	1.000	Yes	CABLE, HD50 TO HD50
2	2275757	1.000	N	FUNCTION KEY TEMPLATE - E

Table 5-14 Keyboard w/SCIM Collector - English (2275758 BOM, rev 1)

#### 8.2.1.1 SCIM Collector – English (2275752)

FRU = 1

MARK	NUMBER	QTY	FRU CODE	DESCRIPTION/NAME
1	2262158*	1.000	N	SCAN CONTROL INTERCOM MOD
	5339621-BEIGE		Yes	Scan Control Intercom Module - Rohs, Beige
2	2262158-11	1.000	N	OVERLAY, SCIM CT, TILT -
3	2262158-21	1.000	N	OVERLAY, SCIM CT, NO TILT

**Note: \*5339621-BEIGE can replace 2262158 directly.**

Table 5-15 SCIM Collector - English (2275752 BOM, rev 0)

## 8.2.2 French (2275758-2)

MARK	NUMBER	QTY	FRU CODE	DESCRIPTION/NAME
1	2275756-2	1.000	Yes	KEYBOARD, EUROPEAN FRENCH
4	2323942	1.000	Yes	CABLE, HD50 TO HD50
2	2275757-2	1.000	N	FUNCTION KEY TEMPLATE - F
3	2275752-2	1.000	N	SCIM COLLECTOR - FRENCH {For further detail, see SCIM Collector - French (2275752-2) on page 492.}

Table 5-16 Keyboard w/SCIM Collector - French (2275758-2 BOM, rev 1)

### 8.2.2.1 SCIM Collector - French (2275752-2)

MARK	NUMBER	QTY	FRU CODE	DESCRIPTION/NAME
1	2262158*	1.000	N	SCAN CONTROL INTERCOM MOD
	5339621-BEIGE		Yes	Scan Control Intercom Module - Rohs, Beige
2	2262158-12	1.000	N	OVERLAY, SCIM CT, TILT -
3	2262158-22	1.000	N	OVERLAY, SCIM CT, NO TILT

**Note: \*5339621-BEIGE can replace 2262158 directly.**

Table 5-17 SCIM Collector - French (2275752-2 BOM, rev 0)

### 8.2.3 German (2275758-3)

MARK	NUMBER	QTY	FRU CODE	DESCRIPTION/NAME
1	2275756-3	1.000	Yes	KEYBOARD, GERMAN PC PS/2
4	2323942	1.000	Yes	CABLE, HD50 TO HD50
2	2275757-3	1.000	N	FUNCTION KEY TEMPLATE - G
3	2275752-3	1.000	N	SCIM COLLECTOR - GERMAN {For further detail, see SCIM Collector - German (2275752-3) on page 493.}

Table 5-18 Keyboard w/SCIM Collector - German (2275758-3 BOM, rev 1)

#### 8.2.3.1 SCIM Collector - German (2275752-3)

MARK	NUMBER	QTY	FRU CODE	DESCRIPTION/NAME
1	2262158* 5339621-BEIGE	1.000	N Yes	SCAN CONTROL INTERCOM MOD Scan Control Intercom Module - Rohs, Beige
2	2262158-13	1.000	N	OVERLAY, SCIM CT, TILT -
3	2262158-23	1.000	N	OVERLAY, SCIM CT, NO TILT

**Note: \*5339621-BEIGE can replace 2262158 directly.**

Table 5-19 SCIM Collector - German (2275752-3 BOM, rev 0)

### 8.2.4 Swedish (2275758-4)

MARK	NUMBER	QTY	FRU CODE	DESCRIPTION/NAME
1	2275756-4	1.000	Yes	KEYBOARD, SWEDISH PC PS/2
3	2275752	1.000	Yes	SCIM COLLECTOR - ENGLISH {For further detail, see SCIM Collector – English (2275752) on page 491.}
4	2323942	1.000	Yes	CABLE, HD50 TO HD50
2	2275757	1.000	N	FUNCTION KEY TEMPLATE - E

Table 5-20 Keyboard w/SCIM Collector - Swedish (2275758-4 BOM, rev 1)

## 8.2.5 International (2275758-5)

MARK	NUMBER	QTY	FRU CODE	DESCRIPTION/NAME
1	2275756	1.000	Yes	KEYBOARD, NORTH AMERICAN
4	2323942	1.000	Yes	CABLE, HD50 TO HD50
2	2283830	1.000	N	FUNCTION KEY TEMPLATE COL
3	2275752-4	1.000	N	SCIM COLLECTOR - INTERNATIONAL {For further detail, see SCIM Collector - International (2275752-4) on page 494.}

Table 5-21 Keyboard w/SCIM Collector - International (2275758-5 BOM, rev 1)

### 8.2.5.1 SCIM Collector - International (2275752-4)

MARK	NUMBER	QTY	FRU CODE	DESCRIPTION/NAME
1	2262158* 5339621-BEIGE	1.000	N Yes	SCAN CONTROL INTERCOM MOD Scan Control Intercom Module - Rohs, Beige
2	2262158-10	1.000	N	OVERLAY, SCIM CT, TILT -
3	2262158-14	1.000	N	OVERLAY, SCIM CT, TILT -
4	2262158-20	1.000	N	OVERLAY, SCIM CT, NO TILT
5	2262158-24	1.000	N	OVERLAY, SCIM CT, NO TILT

**Note: \*5339621-BEIGE can replace 2262158 directly.**

Table 5-22 SCIM Collector - International (2275752-4 BOM, rev 0)

## 8.3 Console Slide Service Kit (2379135)

MARK	NUMBER	QTY	FRU CODE	DESCRIPTION/NAME
3	2317595	1.000	N	SLIDE RAIL FOR DRAWER ASS
4	2317501	1.000	N	BRACKET, DRAWER BALL LATC

Table 5-23 Console Slide Service Kit (2379135 BOM, rev 0)

MARK	NUMBER	QTY	FRU CODE	DESCRIPTION/NAME
5	2317502	1.000	N	LATCH, DRAWER ASSEMBLY
6	2366442-7	4.000	N	BRACKET, RACK MOUNT

Table 5-23 Console Slide Service Kit (2379135 BOM, rev 0)

## 8.4 Power Switch & Cables (2379134)

MARK	NUMBER	QTY	FRU CODE	DESCRIPTION/NAME
1	2150833	1.000	N	BREAKER SWITCH
2	2108900	1.000	N	CONNECTOR 8 CONTACTS 150 VOLTS
5	2318308	1.000	N	ETHERNET CABLE, CHASSIS SVC PANEL
7	2341434-2	1.000	N	CABLE, KEYBOARD - OCTANE 2
8	2341434	1.000	N	CABLE, MOUSE - OCTANE 2

Table 5-24 Power Switch & Cables (2379134 BOM, rev 0)

## 8.5 Modem Kit (B7700MG)

MARK	NUMBER	QTY	FRU	DESCRIPTION
1	2382276	1.000	N	GRE MODEM KIT

Table 5-25 GOC3 Modem Kit (B7700MG BOM, rev 0)

## Section 9.0 — Options

- For further detail, see [Section 9.1 Video Upgrade For Linux Console \(B7868MC\)](#), Page496.
- For further detail, see [Section 9.2 LCD & SUSP \(Boom In Room\) LNX \(B7710LM\)](#), Page497.
- For further detail, see [Section 9.3 HS/LS Remote Color \(LNX\) Monitor \(B7530LC\)](#), Page498.

### 9.1 Video Upgrade For Linux Console (B7868MC)

MARK	NUMBER	QTY	FRU CODE	DESCRIPTION/NAME
1	2378278	1.000	N	VIDEO UPGRADE FOR LINUX C {For further detail, see Section 9.1.1}

Table 5-26 Video Upgrade For Linux Console (B7868MC BOM, rev 0)

#### 9.1.1 Video Upgrade (2378278)

MARK	NUMBER	QTY	FRU CODE	DESCRIPTION/NAME
2	2384322	1.000	Yes	5 BNC MALE TO HD15 MALE - 75 FT PLENUM RATED
9	2302528	1.000	Yes	VIDIO CABLE FOR LCD SUSPE
13	2376772	1.000	Yes	1-IN 4-OUT RGBHV DISTRIBUTION AMP
27	2384323	10.000	Yes	75 OHM TERMINATOR
28	2384324	1.000	Yes	DVI TO HD15 CONVERTER
1	46-302200P10	1.000	N	1.72 X 1.10, MODEL#, SN, DATE, DESC
14	2376770-2	1.000	N	5 BNC MALE TO HD15 MALE (6 FT)
16	2376771	1.000	N	5 BNC MALE TO HD15 FEMALE (6 FT)
18	2200583-100	1.000	N	CT/I (SONATA) UPGRADE MANUAL
19	2211224-100	1.000	N	LIGHTSPEED QX/I OPTIONS INSTALLATION
25	2212092	1.000	N	CEILING PLATE ASSEMBLY FOR LCD

Table 5-27 Video Upgrade (2378278 BOM, rev 3)

## 9.2 LCD & SUSP (Boom In Room) LNX (B7710LM)

MARK	NUMBER	QTY	FRU CODE	DESCRIPTION/NAME
1	2376773	1.000	N	BOOM-IN-A-ROOM FOR LINUX {For further detail, see Section 9.2.1}

Table 5-28 LCD & SUSP (Boom In Room) LNX (B7710LM BOM, rev 0)

### 9.2.1 Boom-in-a-Room for Linux (2376773)

MARK	NUMBER	QTY	FRU CODE	DESCRIPTION/NAME
2	2384322	1.000	Yes	5 BNC MALE TO HD15 MALE - 75 FT PLENUM RATED
3	2214293	1.000	Yes	CEILING COLUMN WITH FLANGE, 58CM
4	2214292	1.000	Yes	80-80 CM EXTENSION/SPRING ARM 10,3 KG (22.7 LBS)
5	2349792	1.000	Yes	18.1 IN LCD COLOR MONITOR
6	2211031	1.000	Yes	LCD BRACKET - SHORT
7	2212717	1.000	Yes	CABLE COVER FOR LCD SUSPENSION 3.6 METERS LONG
9	2302528	1.000	Yes	VIDIO CABLE FOR LCD SUSPE
11	2213213	1.000	Yes	GROUNDING CABLE FOR LCD SUSPENSION
12	2213218	1.000	Yes	POWER CABLE FOR LCD SUSPENSION
13	2376772	1.000	Yes	1-IN 4-OUT RGBHV DISTRIBUTION AMP
27	2384323	10.000	Yes	75 OHM TERMINATOR
28	2384324	1.000	Yes	DVI TO HD15 CONVERTER
1	46-302200P10	1.000	N	1.72 X 1.10, MODEL#, SN, DATE, DESC
8	2213216	1.000	N	GROUNDING CABLE FOR LCD-CONSOLE TO LCD
10	2213219	1.000	N	POWER CABLE FOR LCD-CONSOLE TO LCD
14	2376770-2	1.000	N	5 BNC MALE TO HD15 MALE (6 FT)
16	2376771	1.000	N	5 BNC MALE TO HD15 FEMALE (6 FT)
17	2223870	1.000	N	SONATA HARDWARE COLLECTOR KIT
18	2200583-100	1.000	N	CT/I (SONATA) UPGRADE MANUAL
19	2211224-100	1.000	N	LIGHTSPEED QX/I OPTIONS INSTALLATION

Table 5-29 Boom-in-a-Room for Linux (2376773 BOM, rev 2)

MARK	NUMBER	QTY	FRU CODE	DESCRIPTION/NAME
25	2212092	1.000	N	CEILING PLATE ASSEMBLY FOR LCD
26	2300059	1.000	N	HANDLE FOR LCD DISPLAY MONITOR

Table 5-29 Boom-in-a-Room for Linux (2376773 BOM, rev 2) (Continued)

### 9.3 HS/LS Remote Color (LNX) Monitor (B7530LC)

MARK	NUMBER	QTY	FRU CODE	DESCRIPTION/NAME
1	2377146	1.000	N	REMOTE MONITOR KIT FOR LI {For further detail, see Section 9.3.1}

Table 5-30 HS/LS Remote Color (LNX) Monitor (B7530LC BOM, rev 0)

#### 9.3.1 Remote Monitor Kit (2377146)

MARK	NUMBER	QTY	FRU CODE	DESCRIPTION/NAME
1	2333243	1.000	Yes	21 IN COLOR CRT MONITOR
1A	2254212	ALT	Yes	SONY GDM-5402T9 21" COLOR

Table 5-31 Remote Monitor Kit (2377146 BOM, rev 0)