
Chapter 4

Gantry (*Elite*)

Section 1.0 — BrightSpeed Gantry

1.1 BrightSpeed Elite D3186T System with MHLW Label (5161832)

FRU = NO

MARK	NUMBER	QTY	FRU	DESCRIPTION/NAME
1	5161829	1.0	No	BrightSpeed Elite Gantry D3186T {For further detail, see Section 1.1.1, beginning on page 130. }
5	5161452	1.0	No	MHLW RATING PLATE FOR BRIGHTSPEED HINO
9	5111812	1.0	No	EMC Label

Table 4-1 BrightSpeed Elite D3186T System with MHLW Label (5161832 BOM, rev 2)

1.1.1 BrightSpeed Elite Gantry D3186T (5161829)

FRU = NO

MARK	NUMBER	QTY	FRU	DESCRIPTION/NAME
	5166994	1.0	Yes	BSD ALIGNMENT BAR ADAPTER
12	2404264	1.0	Yes	P2030BF HP60 SV IDIOSYNCRATIC TOOLS
1	5143716	1.0	No	SL GANTRY ASSY-16SLICE, 6.3M TUBE {For further detail, see Section 3.0, beginning on page 184. }
10	5376515	1.0	No	Helios phantoms collector, China
11	2385415	1.0	No	P2030GB DVD SAVESTATE
20	5162221-2	1.0	No	BRIGHTSPEED HINO LABEL COLLECTOR CHINA ROHS

Table 4-2 BrightSpeed Elite Gantry D3186T (5161829 BOM, rev 24)

1.2 BrightSpeed Elite D3185T System with MHLW Label (5161832-2)

FRU = NO

MARK	NUMBER	QTY	FRU	DESCRIPTION/NAME
1	5161829-2	1.0	No	BrightSpeed Elite Gantry D3185T {For further detail, see Section 1.2.1, beginning on page 131. }
5	5161452	1.0	No	MHLW RATING PLATE FOR BRIGHTSPEED HINO
9	5111812	1.0	No	EMC Label

Table 4-3 BrightSpeed Elite D3185T System with MHLW Label (5161832-2 BOM, rev 2)

1.2.1 BrightSpeed Elite Gantry D3185T (5161829-2)

FRU = NO

MARK	NUMBER	QTY	FRU	DESCRIPTION/NAME
	5166994	1.0	Yes	BSD ALIGNMENT BAR ADAPTER
12	2404264	1.0	Yes	P2030BF HP60 SV IDIOSYNCRATIC TOOLS
1	5143716-2	1.0	No	SL GANTRY ASSY-16 SLICES,6.3M GREEN TUBE {For further detail, see Section 4.0, beginning on page 412. }
10	5376515	1.0	No	Helios phantoms collector, China
11	2385415	1.0	No	P2030GB DVD SAVESTATE
20	5162221-2	1.0	No	BRIGHTSPEED HINO LABEL COLLECTOR CHINA ROHS

Table 4-4 BrightSpeed Elite Gantry D3185T (5161829-2 BOM, rev 16)

1.3 BrightSpeed Elite D3186T System with MHLW Label, PDAS (5161832-3)

FRU = NO

MARK	NUMBER	QTY	FRU	DESCRIPTION/NAME
1	5161829-5	1.0	No	BrightSpeed Elite Gantry D3186T with phantoms and system labels, PDAS {For further detail, see Section 1.3.1, beginning on page 132. }
2	5161452	1.0	No	MHLW RATING PLATE FOR BRIGHTSPEED HINO
3	5111812	1.0	No	EMC Label

Table 4-5 BrightSpeed Elite D3186T System with MHLW Label, PDAS (5161832-3 BOM, rev 1)

1.3.1 BrightSpeed Elite Gantry D3186T with PDAS (5161829-5)

FRU = NO

MARK	NUMBER	QTY	FRU	DESCRIPTION/NAME
	5166994	1.0	Yes	BSD ALIGNMENT BAR ADAPTER
4	2404264	1.0	Yes	P2030BF HP60 SV IDIOSYNCRATIC TOOLS
1	5143716-7	1.0	No	BrightSpeed Elite Gantry D3186T with Rating Plate, PDAS
2	2180544	1.0	No	Helios Phantoms Collector {For further detail, see Section 5.0, beginning on page 431. }
3	2385415	1.0	No	P2030GB DVD SAVESTATE
5	5162221	1.0	No	BRIGHTSPEED HINO LABEL COLLECTOR

Table 4-6 BrightSpeed Elite Gantry D3186T with PDAS (5161829-5 BOM, rev 1)

FRU = NO

MARK	NUMBER	QTY	FRU	DESCRIPTION/NAME
1	5488100	1.0	No	Meri Power Gantry asm, 16 slices, 6.3M Tube {For further detail, see Section 2.0, beginning on page 135. }
2	5161456	1.0	No	BRIGHTSPEED GANTRY RATING PLATE

Table 4-7 BrightSpeed Elite Gantry D3186T with rating plate, PDAS (5143716-7 BOM, rev 1)

1.4 BrightSpeed Elite D3185T System with MHLW Lable, PDAS (5161832-4)

FRU = NO

MARK	NUMBER	QTY	FRU	DESCRIPTION/NAME
1	5161829-6	1.0	No	BrightSpeed Elite Gantry D3186T {For further detail, see Section 1.4.1, beginning on page 133. }
5	5161452	1.0	No	MHLW RATING PLATE FOR BRIGHTSPEED HINO
9	5111812	1.0	No	EMC Label

Table 4-8 BrighSpeed Elite D3185T System with MHLW Label, PDAS(5161832-4 BOM, rev 1)

1.4.1 BrightSpeed Elite Gantry D3185T (5161829-6)

FRU = NO

MARK	NUMBER	QTY	FRU	DESCRIPTION/NAME
	5166994	1.0	Yes	BSD ALIGNMENT BAR ADAPTER
4	2404264	1.0	Yes	P2030BF HP60 SV IDIOSYNCRATIC TOOLS
1	5143716-8	1.0	No	BrightSpeed Elite Gantry D3185T with Rating Plate, PDAS
2	2180544	1.0	No	Helios Phantoms Collector {For further detail, see Section 5.0, beginning on page 431. }
3	2385415	1.0	No	P2030GB DVD SAVESTATE
5	5162221	1.0	No	BRIGHTSPEED HINO LABEL COLLECTOR CHINA ROHS

Table 4-9 BrightSpeed Elite Gantry D3185T (5161829 BOM, rev 21)

FRU = NO

MARK	NUMBER	QTY	FRU	DESCRIPTION/NAME
1	5488100-2	1.0	No	Meri Power Gantry asm, 16 slices, 6.3M Green Tube {For further detail, see Section 2.0, beginning on page 135. }
2	5161456	1.0	No	BRIGHTSPEED GANTRY RATING PLATE

Table 4-10 BrightSpeed Elite Gantry D3185T with rating plate, PDAS (5143716-8 BOM, rev 1)

Section 2.0 — Meri Power Gantry, 16 slices, 6.3M Tube (5488100, 5488100-2)

FRU = NO {Assembly Drawing For further detail, see [Section 3.0, beginning on page 184.](#)}

MARK	NUMBER	QTY	FRU	DESCRIPTION/NAME
2	5248954	1.0	Yes	BSD BOTTOM COVER,PF
3	46-328417P13	2.0	Yes	SCREW HEXAGON SOCKET 6 MM 16 MM ZINC PLATED, STEEL
4	46-328431P2	2.0	Yes	WASHER PLAIN - LARGE 6.4 MM 18 MM ZINC PLATED, STEEL
5	5142849-4	1.0	Yes	ASSEMBLY, SCAN WINDOW, LIGHTSPEED SERIES H2 THRU HP RIM COVERS, WEATHERSTRIP UPDATED MAY 2005 {For further detail, see Section 3.2, beginning on page 382. }
6	5181800	1.0	Yes	SL4-Lite-cover-front-assy {For further detail, see Section 3.3, beginning on page 384. }
7	5144693	1.0	Yes	SL4 cover-assy-rear {For further detail, see Section 3.4, beginning on page 396. }
8	5248955	2.0	Yes	BSD TOP COVER ASSY,PF {For further detail, see Section 3.5, beginning on page 406. }
10	5248950	1.0	Yes	BSD SIDE COVER R ASSY,PF {For further detail, see Section 3.6, beginning on page 408. }
11	5248947	1.0	Yes	BSD SIDE COVER L ASSY,PF {For further detail, see Section 3.7, beginning on page 410. }
16	46-328432P3	4.0	Yes	WASHER LOCK - SPRING 6.1 MM 11.8 MM ZINC PLATED, SPRING STEEL
32	46-208758P3	3.0	Yes	7.31~ X .184~ SELF-LOCKING CABLE TIE 1/16~ TO 1-3/4~ WIRE BUNDLE RANGE. 50LB TENSILE STRENGTH, NYLON MATR~L.
34	46-170686P3	0.0	Yes	LOCTITE 242, 50CC 12 MONTH SHELF LIFE FROM DATE OF SHIPMENT FROM THE MANUFACTURER.
35	2236649-2	2.0	Yes	WASHER, FLAT, ISO7089, M6, ST-HB200
36	46-328417P14	2.0	Yes	SCREW HEXAGON SOCKET 6 MM 20 MM ZINC PLATED, STEEL
1	5144691-13	1.0	No	PDAS gantry vertical asm, 16 slices, 6.3M Tube {For further detail, see Section 2.1, beginning on page 138. }
	5144691-14	1.0	No	PDAS gantry vertical asm, 16 slices, 6.3M Green Tube
9	5161456	1.0	No	BRIGHTSPEED GANTRY RATING PLATE

Table 4-11 Meri Power Gantry Assembly-16 Slices, 6.3M Tube (5488100 and 5488100-2 BOM, rev 2)

MARK	NUMBER	QTY	FRU	DESCRIPTION/NAME
12	2370486	2.0	No	TOP COVER FAN HARNESS
13	5133936	1.0	No	HINO LABEL-ETL-COMPONENT-MEDICAL-EQUIP
31	U6604FA	2.0	No	CONNECTOR_NEW RECTANGULAR, UN 4 EACH 350779-1
33	5179575	1.0	No	Warning label -No Service area for VCT

Table 4-11 Meri Power Gantry Assembly-16 Slices, 6.3M Tube (5488100 and 5488100-2 BOM, rev 2) (Continued)

2.1 PDAS Gantry Vertical Assembly, 16 slices, 6.3M Tube (5144691-13, 14)

FRU = NO {Assembly Drawing For further detail, see [Section 3.1, beginning on page 188.](#)}

MARK	NUMBER	QTY	FRU	DESCRIPTION/NAME
6	46-328417P67	4.0	Yes	SCREW HEXAGON SOCKET 12 MM 50 MM
7	5165116	1.0	Yes	SL4 Dynamic Brake Module {For further detail, see Section 3.1.2, beginning on page 206. }
10	2278973	4.0	Yes	SOUTHCO REMOTE COMPRESSION LATCH
13	5129732	1.0	Yes	LS4 drive-assy-axial (SEE NOTE) {For further detail, see Section 3.1.3, beginning on page 210. }
	5129732-2	1.0	Yes	SL4 Danaher Axial Driver Collector NOTE: For BSD Meri System with True-In-One Console, you can order Danaher Axial Driver Collector (5129732-2) when replacing sub-parts under axial driver (5129732) For further detail, see Section 2.1.1, beginning on page 146.
15	5182194-2	1.0	Yes	SL4 ENCODER ASM, with-LED, with MD gear {For further detail, see Section 3.1.4, beginning on page 216. }
18	2277655-2	8.0	Yes	LATCH, KEEPER
22	46-170686P3	0.0	Yes	LOCTITE 242, 50CC 12 MONTH SHELF LIFE FROM DATE OF SHIPMENT FROM THE MANUFACTURER.
23	46-328417P13	9.0	Yes	SCREW HEXAGON SOCKET 6 MM 16 MM ZINC PLATED, STEEL
24	46-208758P3	81.0	Yes	7.31~ X .184~ SELF-LOCKING CABLE TIE 1/16~ TO 1-3/4~ WIRE BUNDLE RANGE. 50LB TENSILE STRENGTH, NYLON MATR~L.
27	5160022	2.0	Yes	SL4 HANDLE, COMPRESSION LATCH
29	46-328417P7	8.0	Yes	SCREW HEXAGON SOCKET 4 MM 25 MM ZINC PLATED, STEEL
31	2236649-2	36.0	Yes	WASHER, FLAT, ISO7089, M6, ST-HB200
32	46-328417P62	8.0	Yes	SCREW HEXAGON SOCKET 12 MM 20 MM
34	2236649-5	13.0	Yes	WASHER, FLAT, ISO7089,M12, ST-HB200
35	46-328430P2	35.0	Yes	WASHER PLAIN - NORMAL 4.3 MM 9 MM ZINC PLATED, STEEL
36	2277599	2.0	Yes	HANDLE, COMPRESSION LATCH
42	2271661	1.0	Yes	H2 COVER BREATHING LIGHT CABLE

Table 4-12 PDAS Gantry Vertical Assembly, 16 slices, 6.3M Tube (5144691-13, -14 BOM, rev 2)

MARK	NUMBER	QTY	FRU	DESCRIPTION/NAME
44	46-221417P4	2.0	Yes	FEMALE SCREWLOCKS FOR HD CONNECTORS. 4-40 THREAD, 0.470 OVERALL LENGTH YELLOW CHROMATE, TWO PER KIT. 0.312 BOTTOM, 0.094 PANEL THK. MAX KIT INCLUDES NUTS AND WASHERS See drawing for approved vendor
46	2344336	1.0	Yes	TILT SIDE AC HARNESS
47	46-328417P11	6.0	Yes	SCREW HEXAGON SOCKET 6 MM 10 MM ZINC PLATED, STEEL
48	46-170623P2	0.0	Yes	BLACK, HEAVY-DUTY LUBRICATING PASTE. (1 PINT CAN) SHELF LIFE, UNDER NORMAL STORAGE CON DITIONS, HAS NO KNOWN LIMITS. (DWG REV 6/92, JFK - OK).
49	46-328432P2	31.0	Yes	WASHER LOCK - SPRING 4.1 MM 7.6 MM ZINC PLATED, SPRING STEEL
54	46-328421P503	2.0	Yes	SCREW PAN HEAD 2 MM 10 MM
55	2303589	1.0	Yes	HARNESS-CT MOBILE TILT INDICATE SWIT
57	5127878	1.0	Yes	SL4 RIGHT SIDE PANEL
58	46-328417P12	50.0	Yes	SCREW HEXAGON SOCKET 6 MM 12 MM ZINC PLATED, STEEL
59	46-328431P2	11.0	Yes	WASHER PLAIN - LARGE 6.4 MM 18 MM ZINC PLATED, STEEL
60	46-328432P3	30.0	Yes	WASHER LOCK - SPRING 6.1 MM 11.8 MM ZINC PLATED, SPRING STEEL
61	5145209	1.0	Yes	SL4 LEFT SIDE PANEL
63	46-328417P64	2.0	Yes	SCREW HEXAGON SOCKET 12 MM 30 MM
65	2333142	1.0	Yes	MSUB -J23 TO ENCODER
67	2333146-2	1.0	Yes	CABLE MSUB-J18 TO BALANCE SENSORS
73	46-328417P2	57.0	Yes	SCREW HEXAGON SOCKET 4 MM 8 MM ZINC PLATED, STEEL
74	46-328431P1	4.0	Yes	WASHER PLAIN - LARGE 4.3 MM 12 MM ZINC PLATED, STEEL
79	46-328417P4	25.0	Yes	SCREW HEXAGON SOCKET 4 MM 12 MM ZINC PLATED, STEEL
87	46-328425P1	1.0	Yes	NUT HEXAGON 4 MM
93	46-208718P5	3.0	Yes	1/2~ ID LOOP TYPE, TA MFG CO TA713D8
94	46-208758P10	62.0	Yes	8.00~ X .094~ SELF-LOCKING CABLE TIE 1/16~ TO 2~ WIRE BUNDLE RANGE. 18LB TENSILE STRENGTH, NYLON MATR~L. SAME AS 46-208758P7 EXCEPT RESTRICT VENDOR TO T&B. TIE MUST BE .094~ WID E. (DWG REV 5/92, JFK - OK).
95	46-208718P3	2.0	Yes	CLAMP, CUSHIONED, ID .375 LOOP TYPE TA MFG CORP TA713D6
98	46-208758P5	33.0	Yes	SELF LOCKING CABLE TIE
101	2303601	1.0	Yes	HARNESS-CT MOBILE TILT INDICATOR

Table 4-12 PDAS Gantry Vertical Assembly, 16 slices, 6.3M Tube (5144691-13, -14 BOM, rev 2) (Continued)

MARK	NUMBER	QTY	FRU	DESCRIPTION/NAME
102	2293409	1.0	Yes	CABLE FIBER OPT
108	5126690	4.0	Yes	keeper,slam latch, VCT, symmetric
111	46-328417P25	12.0	Yes	SCREW HEXAGON SOCKET 10 MM 35 MM ZINC PLATED, STEEL
112	2236649-4	13.0	Yes	WASHER, FLAT, ISO7089,M10, ST-HB200
113	U0208AC	3.0	Yes	CLAMP TC-142 TAIRATSUPU KOTEI
114	N9408JS	3.0	Yes	SCREW NABE 4X8 Fe Zn
115	5144702	2.0	Yes	SL4 E Service outlet_Estop Asm {For further detail, see Section 3.1.6, beginning on page 224. }
117	2333147-2	1.0	Yes	CABLE MSUB-J7 TO TILT LIMIT SW
118	2387385	1.0	Yes	POWER PAN ASM 550V {For further detail, see Section 3.1.7, beginning on page 226. }
125	46-208718P7	1.0	Yes	CLAMP CUSHIONED ID 0.625 LOOP TYPE TA MFG CORP TA713D10
127	46-325136P1	1.0	Yes	CABLE CLAMP,RICHCO #UMS-16-45,.37 TO 1IN DIA.,RELEASABLE,MOUNTS WITH #8
159	2348298	1.0	Yes	TIMING BELT, 2.03 PITCH X 6 WIDE
165	2326192	1.0	Yes	TEMP SENSOR BOARD
173	2269012	2.0	Yes	ALUMINUM CHANNEL,152MM
174	2269011	2.0	Yes	ALUMINUM CHANNEL, 305MM
175	2269009	2.0	Yes	GANTRY CONTACT SWITCH,2 SEGMENT
176	5135613	1.0	Yes	SL4 CONTACT SWITCH MTG BRKT 305mm LH
179	2106207	4.0	Yes	1 1/2 -12 THDS 2.00 O.D. .25 THK, GANTRY & TABLE INSTALLATION ADJUSTER LOCK RING FOR BASEPLATE-LESS HSA SYSTEMS.
180	2105871	4.0	Yes	GANTRY AND TABLE INSTALLATION LEVELING SCREW FOR BASEPLATE-LESS HSA SYSTEMS.
181	2103580-40	10.0	Yes	SCREW COUNTERSUNK HEX 3 MM 10 MM
182	46-208561P147	4.0	Yes	SCREW SCREW OLD F70BIAR ZINC PL HT TR FOR HYD EMB
185	2354132	1.0	Yes	BALANCE SENSOR BUFFER BOARD
187	2347474	2.0	Yes	PIEZO,H-POWER FIELD BALANCE SENSOR
188	2378301	1.0	Yes	COVER SIDE BALANCE SENSOR
189	2360821	1.0	Yes	HARNESS BALANCE SENSORS TO BUFFER BD

Table 4-12 PDAS Gantry Vertical Assembly, 16 slices, 6.3M Tube (5144691-13, -14 BOM, rev 2) (Continued)

MARK	NUMBER	QTY	FRU	DESCRIPTION/NAME
191	2217943	1.0	Yes	IDLER ASM WITH MTG PLATE FOR H2 GANT {For further detail, see Section 3.1.9, beginning on page 232. }
193	46-297391P1	1.0	Yes	SPRING
196	46-328432P7	6.0	Yes	WASHER LOCK - SPRING 12.2 MM 21.1 MM
199	2366242	1.0	Yes	COVER, POSITION LOCK SAFETY
200	2109872-3	2.0	Yes	SCREW BUTTON HEAD 4 MM 12 MM
202	46-208562P8	4.0	Yes	SCREW 3/8X16X1~ FLAT HEAD STL F70B5A2 ZINC PL HT TR FOR HYD EMB
203	46-328417P3	10.0	Yes	SCREW HEXAGON SOCKET 4 MM 10 MM ZINC PLATED, STEEL
267	5120636	1.0	Yes	Harness - TGP J8 to Slipring J7 - EMC Edition2
268	5120637	1.0	Yes	Harness - TGP J11 to Covers - EMC Edition2
269	5120639	1.0	Yes	Cable - Gantry to MSUB J21 - EMC Edition 2
270	5120640	1.0	Yes	Harness - MSUB J8 to Covers - EMC Edition 2
271	5120641	1.0	Yes	Cable - MSUB J26 to Table Foot Switch - EMC Edition 2
272	5129522	1.0	Yes	Cable - Table to TGPU - J28
273	5120643	1.0	Yes	Cable - Service Board to MSUB J30 - EMC Edition 2
274	5120644	1.0	Yes	Cable - Ax Drive to MSUB J29 - EMC Edition 2
275	5272458	1.0	Yes	BSD 120V PowerPan with PET and GOP outlet added, and 5 CBs {For further detail, see Section 3.1.10, beginning on page 234. }
276	5120648	1.0	Yes	Cable - Thermal Sensor to MSUB J24 - EMC Edition 2
277	5120649	1.0	Yes	Cable TGP J5 to Power Pan - EMC Edition 2
278	5120656	1.0	Yes	Harness - Receiver Power - EMC Edition 2
279	5120662	1.0	Yes	Harness - Slip Ring Power
282	2356863-3	1.0	Yes	SL4 GANTRY TILT FEEDBACK ASSEMBLY, EMC ED2 {For further detail, see Section 3.1.12, beginning on page 240. }
318	46-328417P15	5.0	Yes	SCREW HEXAGON SOCKET 6 MM 25 MM ZINC PLATED, STEEL
319	46-208759P1	1.0	Yes	7.81~ X .184~ SELF-LOCKING CABLE TIE 1/16~ X 1-3/4~ WIRE BUNDLE RANGE. 50 LBS TENSILE STRENGTH, NAT. NYLON. (#10 SCREW MOUNTING HOLE SIZE) MAT~L: NYLON 6/6 PER MIL-N-20693 AND ASTM D4066 STOCK #: 08415 - NATURAL, TYPE I
1	5146051-2	1.0	No	SL4 BRKT, REAR COVER MOUNTING

Table 4-12 PDAS Gantry Vertical Assembly, 16 slices, 6.3M Tube (5144691-13, -14 BOM, rev 2) (Continued)

MARK	NUMBER	QTY	FRU	DESCRIPTION/NAME
2	5146051-3	1.0	No	SL4 BRKT, REAR COVER MOUNTING-SLOT
3	5159052	1.0	No	SL4 BRACE ASSY UPPER RIGHT FRONT {For further detail, see Section 3.1.1, beginning on page 204. }
4	2284884	2.0	No	VXWORKS 5.4 LICENCE
5	46-328419P16	8.0	No	SCREW HEXAGON SOCKET 16 MM 30 MM
8	5144706	1.0	No	SL4 BRACE ASSY LOWER-FRT
9	2356044	4.0	No	SPACER, H4 FRONT/REAR COVER MOUNT
11	5131855-2	1.0	No	SL4 BRKT, FRT COVER MOUNTING
12	5131855-3	1.0	No	SL4 BRKT, FRT COVER MOUNT-SOLT
14	2371025	1.0	No	COVER-AXIAL DRIVE PULLEY
17	2355451	1.0	No	PLATE, BOTTOM COVER MOUNTING
19	5144761	1.0	No	SL4 top cover support
20	5144708	3.0	No	SL4 brace assy upper
21	5144707	3.0	No	SL4 brace assy lower-rear
25	5127877	1.0	No	SL4 VERT ANGLE LEFT
26	5147182	1.0	No	SL4 DIAGONAL BRACE
37	2277430	4.0	No	E-RING, BOWED RETAINING RING
43	2358591	1.0	No	UPPER CABLE SUPPORT - RIGHT SIDE
51	5127875	1.0	No	SL4 LEFT BLOCK TILT STOP
52	5127876	1.0	No	SL4 RIGHT BLOCK TILT STOP
81	2275840-2	1.0	No	GROUND - BRAID - STATIONARY BASE TO TILTING BASE
82	5269400-2	1.0	No	Slip Ring Collector, Dual Shield, BrightSpeed
103	2378300	1.0	No	COVER FRONT BALANCE SENSOR
104	5144766	1.0	No	SL4 TGPU SUPPORT BRKT
105	5144703	1.0	No	SL4 TGPU_PS_ASM {For further detail, see Section 3.1.5, beginning on page 220. }
106	46-328419P20	1.0	No	SCREW HEXAGON SOCKET 12 MM 16 MM
107	5145210	2.0	No	SL4 CABLE CLAMP STA BASE

Table 4-12 PDAS Gantry Vertical Assembly, 16 slices, 6.3M Tube (5144691-13, -14 BOM, rev 2) (Continued)

MARK	NUMBER	QTY	FRU	DESCRIPTION/NAME
109	5129788	2.0	No	label,ESD ground,VCT gantry
110	5129536	2.0	No	8MM HEX MALE-FEMALE STANDOFF, M5X20 LONG - CLEAR ZINC PLATED
116	5129312	2.0	No	SL4 BOX ESTOP OUTLET
119	5169843	4.0	No	Label, WARNING, Gantry Rotation, Pinch Point
123	2275854-4	1.0	No	GROUND - HP STATION BASE TO RACEWAY
128	5135599	1.0	No	SL4 CABLE TROUGH UPLEFT LOWER
129	5145212	1.0	No	SL4 CABLE CLAMP STA UPPER
130	5135600	1.0	No	SL4 CABLE TROUGH UPRIGHT LOWER
158	2360255	1.0	No	BRACKET
160	5129241	1.0	No	SL4 PULLEY 150 TEETH
162	5149731	1.0	No	SL4 SERVICE BOARD BRKT ASM {For further detail, see Section 3.1.8, beginning on page 230. }
163	5145812	1.0	No	SL4 COVER FILTER
177	5127874	2.0	No	SL4 PILLOW
178	2105872-2	4.0	No	LEVELING PAD LEVELING PAD FOR BASEPLATE-LESS HSA SYSTEM.
183	2266016	2.0	No	BULLS-EYE BUBBLE,.4 DEG/DIV SENSITIV
184	46-328417P56	6.0	No	SCREW HEXAGON SOCKET 2.5 MM 8 MM
186	5145213	1.0	No	SL4 SENSOR BOARD BRKT
192	5191734	1.0	No	Spring holder cylinder for VCT
194	46-328424P37	1.0	No	SCREW SET SCREW 12 MM 80 MM
195	2236649-7	1.0	No	WASHER, FLAT, ISO7089,M20, ST-HB200
206	2371021	2.0	No	BRKT,CABLE TROUGH,STAT BASE,FRT,HPOW
207	2355138	1.0	No	SHIELD GROUND BKT FOR HVDC CABLE
209	5159048	1.0	No	SL4 SIDE CABLE CLAMP RIGHT 1
210	5159517	1.0	No	SL4 SIDE CABLE CLAMP RIGHT 2
211	5159049	1.0	No	SL4 SIDE CABLE CLAMP R COVER
212	5159050	1.0	No	SL4 CABLE CLAMP LEFT
213	5159051	1.0	No	SL4 CABLE CLAMP LEFT COVR

Table 4-12 PDAS Gantry Vertical Assembly, 16 slices, 6.3M Tube (5144691-13, -14 BOM, rev 2) (Continued)

MARK	NUMBER	QTY	FRU	DESCRIPTION/NAME
280	5144705	1.0	No	SL4-TGPU-ASM {For further detail, see Section 3.1.11, beginning on page 238. }
281	5145216	1.0	No	SL4 TGPU PAN COVER
283	5149732	1.0	No	SL4 SLIPRING PLATE ASM {For further detail, see Section 3.1.13, beginning on page 242. }
356	2275840-9	1.0	No	ground - braid - power pan to tilting base
358	2275840-11	1.0	No	ground - braid - slipring j5 to tilting base
368	5144701-9	1.0	No	Meri Power gantry horizontal asm-16 slices, 6.3M tube {For further detail, see Section 2.1.2, beginning on page 156. }
	5144701-10	1.0	No	Meri Power gantry horizontal asm-16 slices, 6.3M Green tube {For further detail, see Section 2.1.2, beginning on page 156. }

Table 4-12 PDAS Gantry Vertical Assembly, 16 slices, 6.3M Tube (5144691-13, -14 BOM, rev 2) (Continued)

4 - Gantry (Elite)

ver Gantry, 16 slices, 6.3M Tube (5488100, 54

2.1.1 SL4 Danaher Axial Driver Collector (5129732-2)

FRU = YES

MARK	NUMBER	QTY	FRU	DESCRIPTION/NAME
2	5344420	1.0	Yes	Cable - Tilt Side AC <i>For further detail, see Section 2.1.1.1, beginning on page 147.</i>
6	46-328417P12	3.0	Yes	SCREW HEXAGON SOCKET 6 MM 12 MM ZINC PLATED, STEEL
7	46-328430P3	3.0	Yes	WASHER PLAIN - NORMAL 6.4 MM 12 MM ZINC PLATED, STEEL
8	46-328432P3	3.0	Yes	WASHER LOCK - SPRING 6.1 MM 11.8 MM ZINC PLATED, SPRING STEEL
1	5344400-2	1.0	No	ASSY, AXIAL DRIVE <i>For further detail, see Section 2.1.1.2, beginning on page 149.</i> Note: *order 5373010 when replace the 5344400 or 5344400-2
3	5350603	1.0	No	Bracket - Titan Safety Panel L.S
4	5357365	1.0	No	BSD Motor bracket for side guide
5	5357364	1.0	No	BSD Motor bracket for bottom cover and brace

NOTE: Verify the software version before using Danaher Axial Driver Collector (5129732-2) to replace sub-parts under axial driver (5129732), software information as below:

For True-In-One Console: Only 09BW35.11 + SP1.5 or higher software version can support the Danaher axial drive (5129732-2)

Table 4-13 SL4 Danaher Axial Driver Collector (5129732-2 BOM, rev 2)

2.1.1.1 Cable - Tilt Side AC (5344420)

FRU = YES

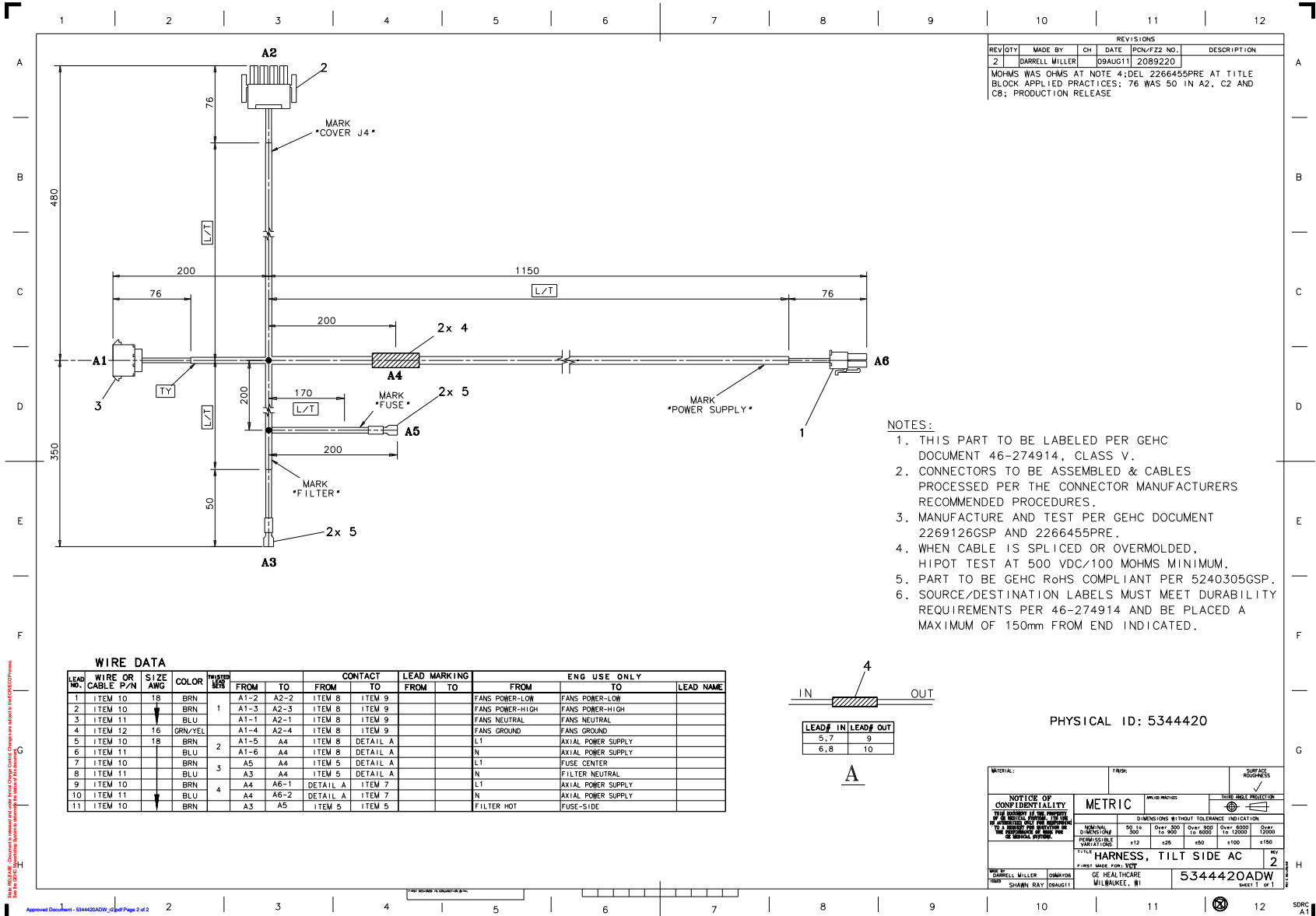


Figure 4-1 Cable - Tilt Side AC (5344420ADW, Rev 2)

MARK	NUMBER	QTY	FRU CODE	DESCRIPTION/NAME
1	5306235	1.0	No	Connector Mini MATE-N-LOC plug, 2-pos
2	5309523	1.0	No	Plug, universal MATE-N-LOK, 4 circuit
3	5306256	1.0	No	Cap, 6-circuit universal MATE-N-LOK
4	5341837	2.0	No	SPLICE BUTT PIDG 16-14
5	5306246	4.0	No	Receptacle assy, ultra-fast, .250 series, 16 - 14 AWG
7	5306215	2.0	No	Socket, loose piece, universal mate-n-lok
8	5306249	6.0	No	Pin Universal MATE-N-LOK
9	5306250	4.0	No	Socket, Universal MATE-N-LOK
10	5500001-2	1.0	No	UL 1015 CSA TEW Stranded Wire 600V - Brown - 18AWG
11	5500001-3	1.0	No	UL 1015 CSA TEW Stranded Wire 600V - IEC Neutral Blue - 18AWG
12	5500001-104	1.0	No	UL 1015 CSA TEW Stranded Wire 600V - Green-Yellow - 16AWG

Table 4-14 Cable - Tilt Side AC (5344420 BOM, Rev 4)

2.1.1.2 ASSY, AXIAL DRIVE (5344400-2)

FRU = NO

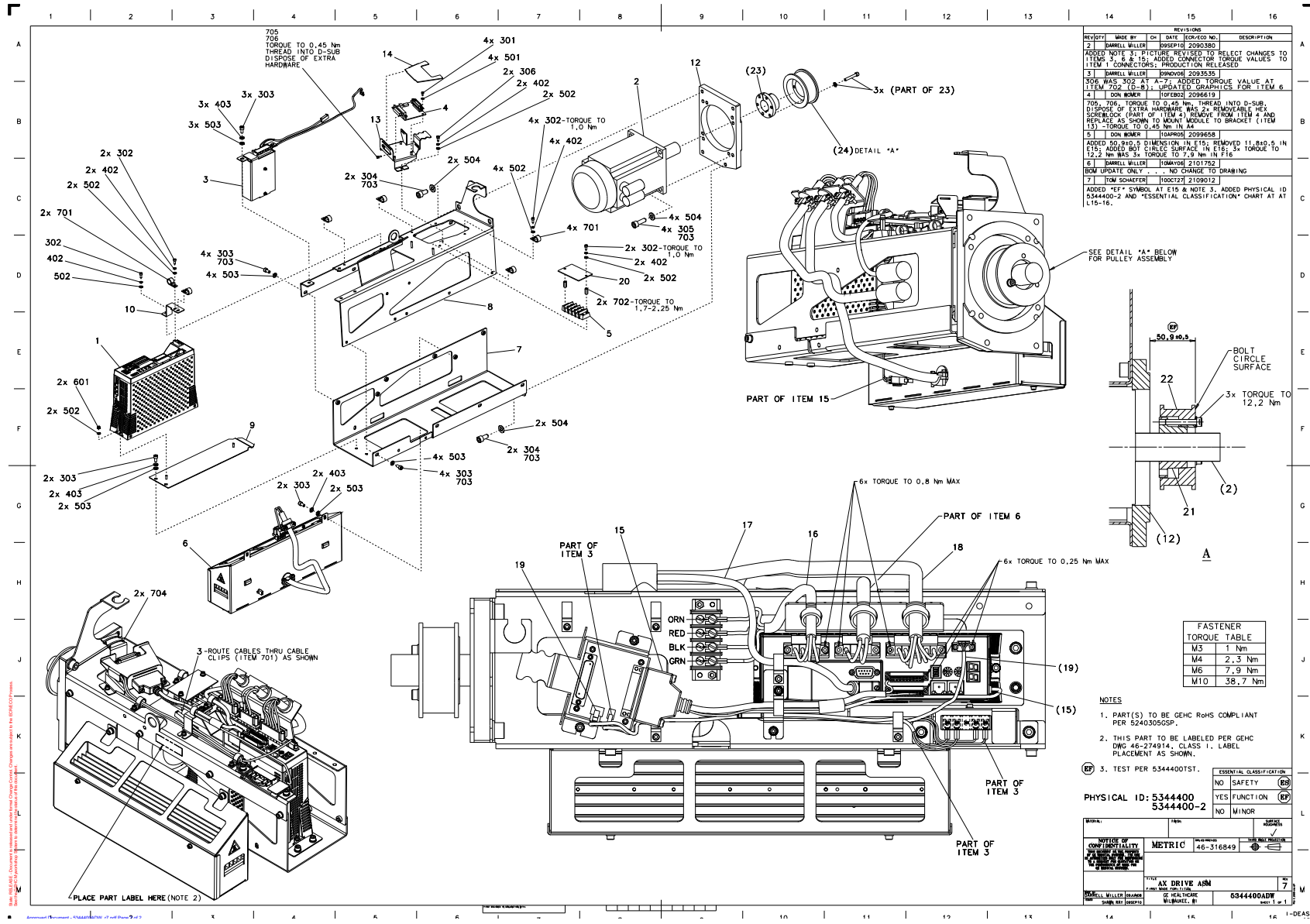


Figure 4-2 ASSY, AXIAL DRIVE (5344400ADW, Rev 7)

MARK	NUMBER	QTY	FRU CODE	DESCRIPTION/NAME
1	5344401-2	1.0	Yes	AXIAL DRIVE, AKD
3	5351829	1.0	Yes	Power supply assembly <i>For further detail, see Section , beginning on page 152.</i>
4	5955036	1.0	Yes	Kollmorgen Interface Module PWA
6	5344421	1.0	Yes	Axial Drive Dynamic Brake Resistor Assembly <i>For further detail, see Section , beginning on page 154.</i>
702	2209269-3	2.0	Yes	STANDOFF FEMALE/FEMALE M4 X 16
703	46-170684P3	0.0	Yes	LOCTITE 271, 50ML BOTTLE. 12 MONTH SHELF LIFE FROM DATE OF SHIPMENT FROM THE MANUFACTURER. REV, TK, Jan 92
706	46-170683P1	0.0	Yes	LOCTITE 222, 10CC BOTTLE 12 MONTH SHELF LIFE FROM DATE OF SHIPMENT FROM THE MANUFACTURER
2	5344402	1.0	No	AXIAL MOTOR AND BRAKE, AKM
5	5344405	1.0	No	TERMINAL STRIP, 4 POS, 600V, 30A, RoHS
7	5343802	1.0	No	drive frame, bottom
8	5343556	1.0	No	Drive frame - top, VCT
9	5342592	1.0	No	Bottom EMC plate for Titan axial drive
10	5343697	1.0	No	bracket, axial drive mount
12	5336134	1.0	No	motor adaptor plate
13	5343696	1.0	No	bracket, kim board mounting
14	5344698	1.0	No	cover, kim board
15	5344933	1.0	No	Cable, KIM COM to AX DRIVE
16	5344413	1.0	No	Cable - Axial Drive Power, TS to AKD Drive
17	5351752	1.0	No	Cable Assembly, Feedback, AKM Motor to AKD Drive
18	5352921	1.0	No	Cable Assembly, Motor Power, AKM Motor to AKD Drive
19	5344417	1.0	No	Cable - KIM Board to AKD Drive, 24V
20	2359047	1.0	No	LEXAN COVER TERMINAL
21	5346675	1.0	No	QD BUSHING,SH X 32MM BORE
22	2235954	1.0	No	SPROCKET TYPE A 34 EACH 42.86 MM

Table 4-15 ASSY, AXIAL DRIVE (5344400-2 BOM, Rev 2)

MARK	NUMBER	QTY	FRU CODE	DESCRIPTION/NAME
301	1000-M3C006-04	4.0	No	Hexagon Socket Head Cap Screw, M3-0.5, X6mm Long, Grade 8.8 Steel, Zinc Plated, RoHS Fastener
302	1000-M4C010-04	9.0	No	Hexagon Socket Head Cap Screw, M4-0.7, X10mm Long, Grade 8.8 Steel, Zinc Plated, RoHS Fastener
303	1000-M6C012-04	15.0	No	Hexagon Socket Head Cap Screw, M6-1, X12mm Long, Grade 8.8 Steel, Zinc Plated, RoHS Fastener
304	1000-M10C020-04	4.0	No	Hexagon Socket Head Cap Screw, M10-1.5, X20mm Long, Grade 8.8 Steel, Zinc Plated, RoHS Fastener
305	1000-M10C030-04	4.0	No	Hexagon Socket Head Cap Screw, M10-1.5, X30mm Long, Grade 8.8 Steel, Zinc Plated, RoHS Fastener
306	1000-M4C008-04	2.0	No	Hexagon Socket Head Cap Screw, M4-0.7, X8mm Long, Grade 8.8 Steel, Zinc Plated, RoHS Fastener
402	2203-M4-07	11.0	No	Curved Lock Washer, DIN 128A, M4, Spring Steel, Zinc Plated, RoHS Fastener
403	2203-M6-07	7.0	No	Curved Lock Washer, DIN 128A, M6, Spring Steel, Zinc Plated, RoHS Fastener
501	2000-M3-02	4.0	No	Flat Washer, ISO7089, M3, Steel 140HV, Zinc Plated, RoHS Fastener
502	2000-M4-02	13.0	No	Flat Washer, ISO7089, M4, Steel 140HV, Zinc Plated, RoHS Fastener
503	2000-M6-02	15.0	No	Flat Washer, ISO7089, M6, Steel 140HV, Zinc Plated, RoHS Fastener
504	2000-M10-02	8.0	No	Flat Washer, ISO7089, M10, Steel 140HV, Zinc Plated, RoHS Fastener
601	3003-M4C-04	2.0	No	Hexagon Nut with Lock Washer, M4-0.7, Grade 8 Steel, Zinc Plated, RoHS Fastener
701	5127043-2	6.0	No	harness clip, 12.7 bundle
704	5352123	2.0	No	VELCRO STRAP, RICHCO RKW-6-6, .375 X 6 IN
705	5215307-3	1.0	No	Female Jackscrew Kit, qty two per kit, #4-40 thread,

Table 4-15 ASSY, AXIAL DRIVE (5344400-2 BOM, Rev 2)

Power Supply Assembly (5351829)

FRU = YES

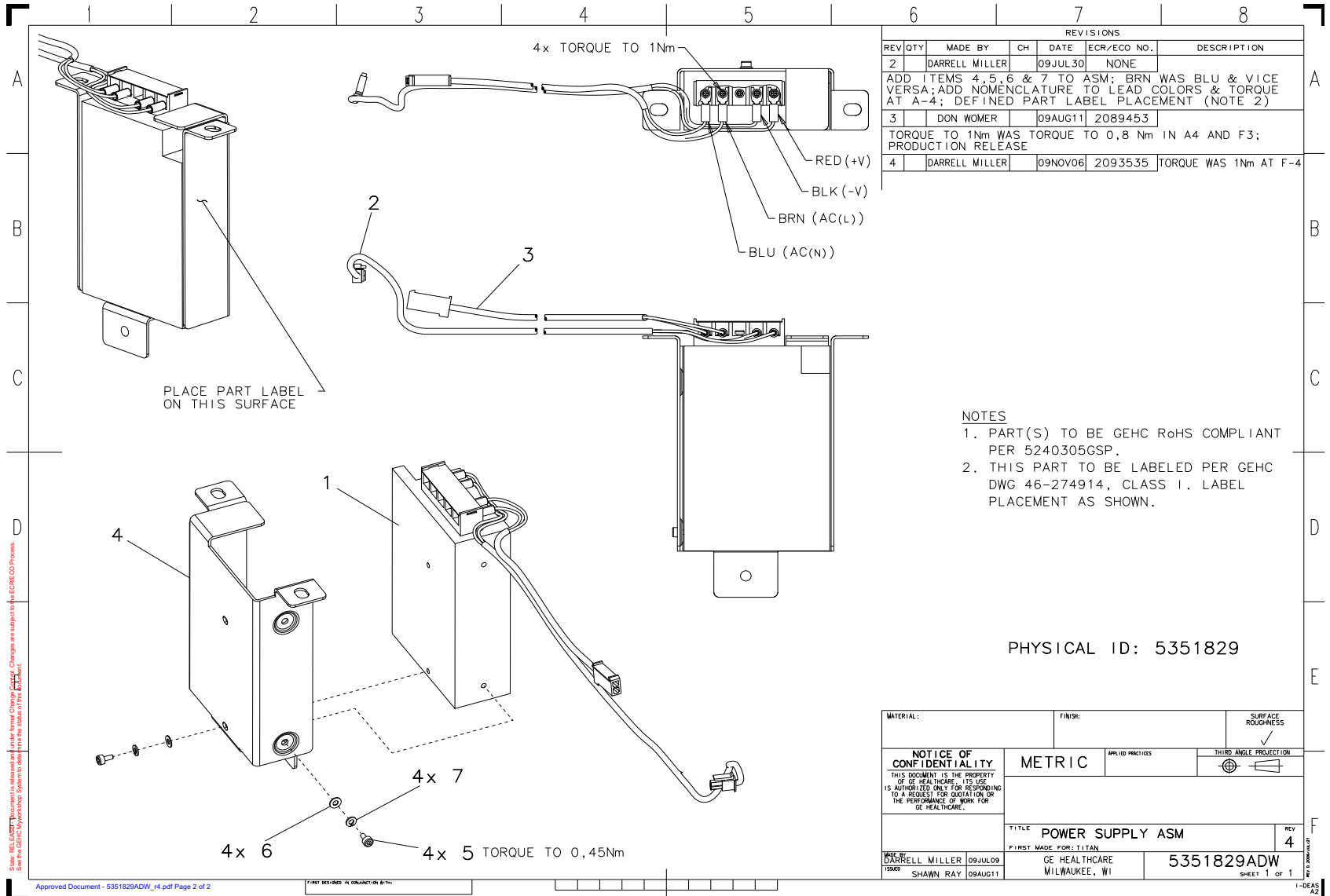


Figure 4-3 Power Supply Assembly (5351829ADW, Rev 4)

MARK	NUMBER	QTY	FRU CODE	DESCRIPTION/NAME
1	5344404	1.0	No	POWER SUPPLY, 24VDC, 50W
2	5344411	1.0	No	Cable - Axial Drive, 24VDC PS to KIM
3	5344418	1.0	No	Cable - Axial Drive 120V power supply pigtail
4	5343685	1.0	No	bracket, power supply mount
5	1000-M3C006-04	4.0	No	Hexagon Socket Head Cap Screw, M3-0.5, X6mm Long, Grade 8.8 Steel, Zinc Plated, RoHS Fastener
6	2000-M3-02	4.0	No	Flat Washer, ISO7089, M3, Steel 140HV, Zinc Plated, RoHS Fastener
7	2203-M3-07	4.0	No	Curved Lock Washer, DIN 128A, M3, Spring Steel, Zinc Plated, RoHS Fastener

Table 4-16 Power Supply Assembly (5351829 BOM, Rev 4)

Brake Resistor Assembly (5344421)

FRU = YES

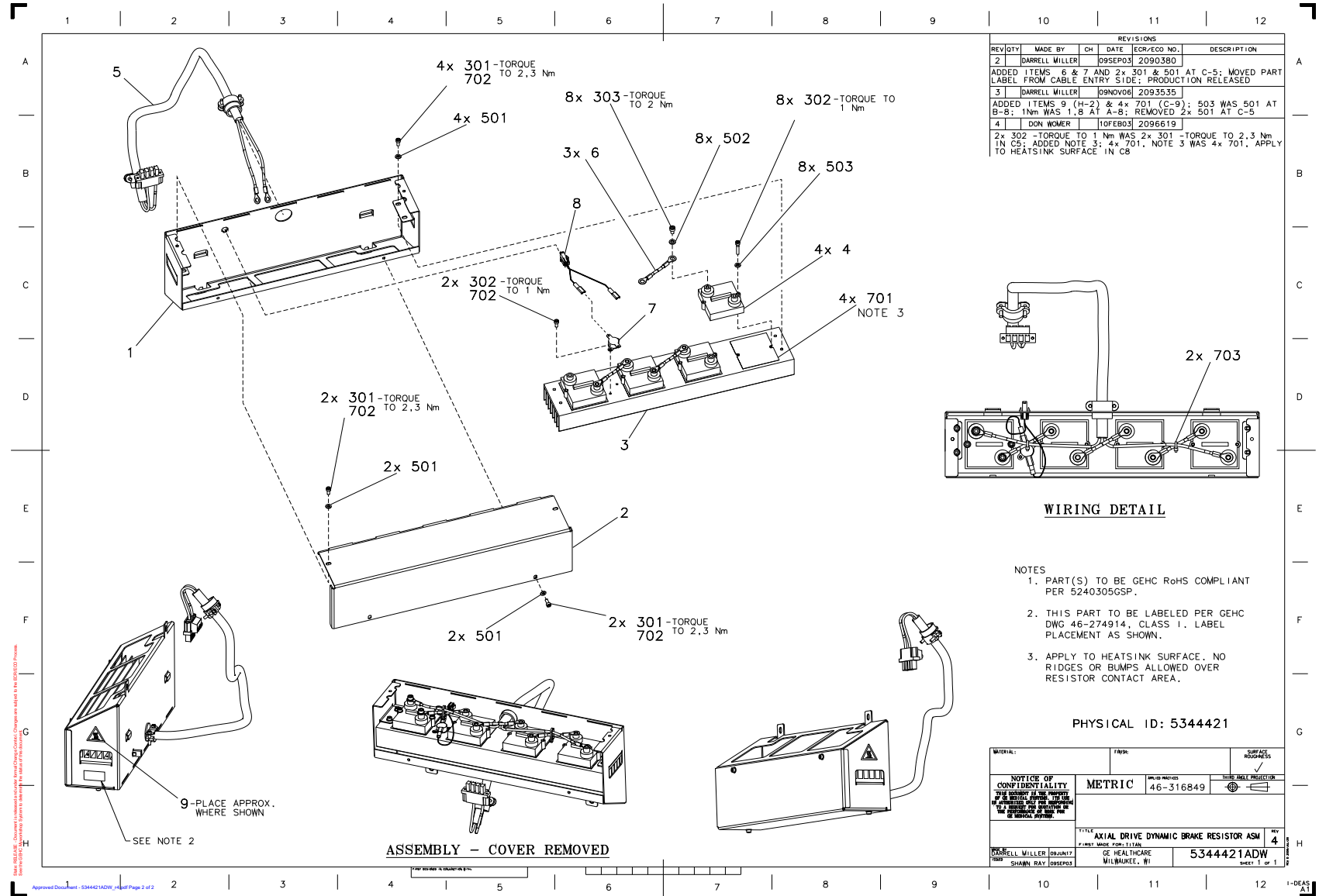


Figure 4-4 Brake Resistor Assembly (5344421ADW, Rev 4)

MARK	NUMBER	QTY	FRU CODE	DESCRIPTION/NAME
1	5344458	1.0	No	enclosure, resistor
2	5344459	1.0	No	cover, resistor enclosure
3	5326602	1.0	No	heat sink, dynamic brake resistor
4	5344403	4.0	No	RESISTOR, 600W, 10 OHM, RoHS
5	5344414	1.0	No	Cable - AKD Drive to Brake Resistor
6	5344410	3.0	No	Cable - Brake Resistor
7	5365840	1.0	No	Thermal Switch 165 to 175 degF
8	5365836	1.0	No	Cable - Brake Resistor Thermo
9	2385679	1.0	No	LABEL CAUTION HOT SURFACE
301	1000-M4C010-04	8.0	No	Hexagon Socket Head Cap Screw, M4-0.7, X10mm Long, Grade 8.8 Steel, Zinc Plated, RoHS Fastener
302	1000-M3C025-04	10.0	No	Hexagon Socket Head Cap Screw, M3-0.5, X25mm Long, Grade 8.8 Steel, Zinc Plated, RoHS Fastener
303	1000-M5C008-04	8.0	No	Hexagon Socket Head Cap Screw, M5-0.8, X8mm Long, Grade 8.8 Steel, Zinc Plated, RoHS Fastener
501	2000-M4-02	8.0	No	Flat Washer, ISO7089, M4, Steel 140HV, Zinc Plated, RoHS Fastener
502	2000-M5-02	8.0	No	Flat Washer, ISO7089, M5, Steel 140HV, Zinc Plated, RoHS Fastener
503	2000-M3-02	8.0	No	Flat Washer, ISO7089, M3, Steel 140HV, Zinc Plated, RoHS Fastener
701	5368648	4.0	No	Thermal gap pad - 62mm X 65mm X 0,15mm thk
702	46-170686P3	0.0	No	LOCTITE 242, 50CC 12 MONTH SHELF LIFE FROM DATE OF SHIPMENT FROM THE MANUFACTURER.
703	46-208758P1	2.0	No	3.62~ X .094~ CABLE TIE 1/16~ TO 5/8~ WIRE BUNDLE RANGE 18LB TENSILE STRENGTH, NYLON MATR'L

Table 4-17 Brake Resistor Assembly (5344421 BOM, Rev 5)

2.1.2 Meri Power gantry horizontal asm-16 slices, 6.3M tube (5144701-9, -10)

FRU = NO

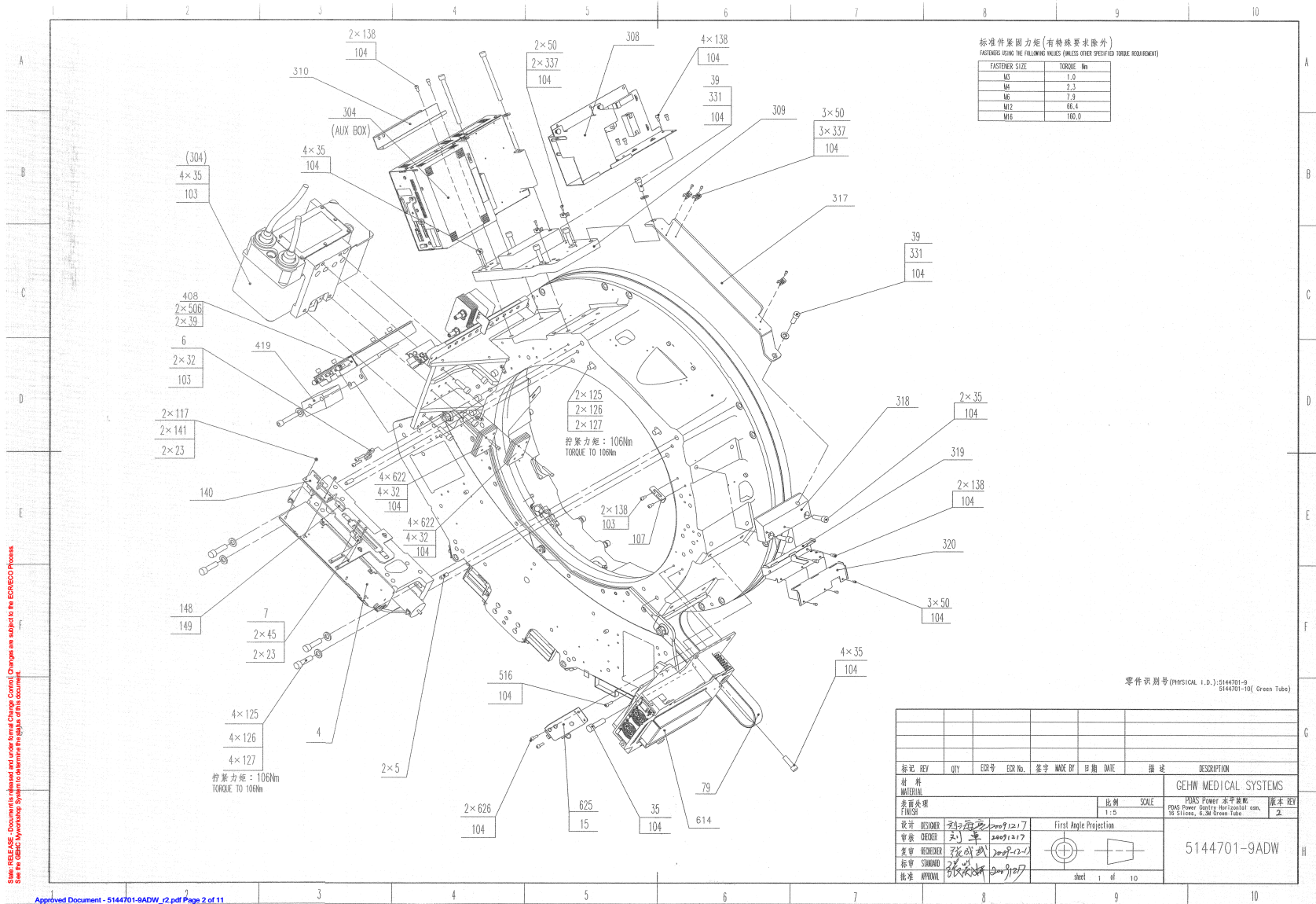


Figure 4-5 Meri Power Gantry Assembly-16 Slices,6.3M Tube (5144701-9ADW, sheet 1, rev 2)

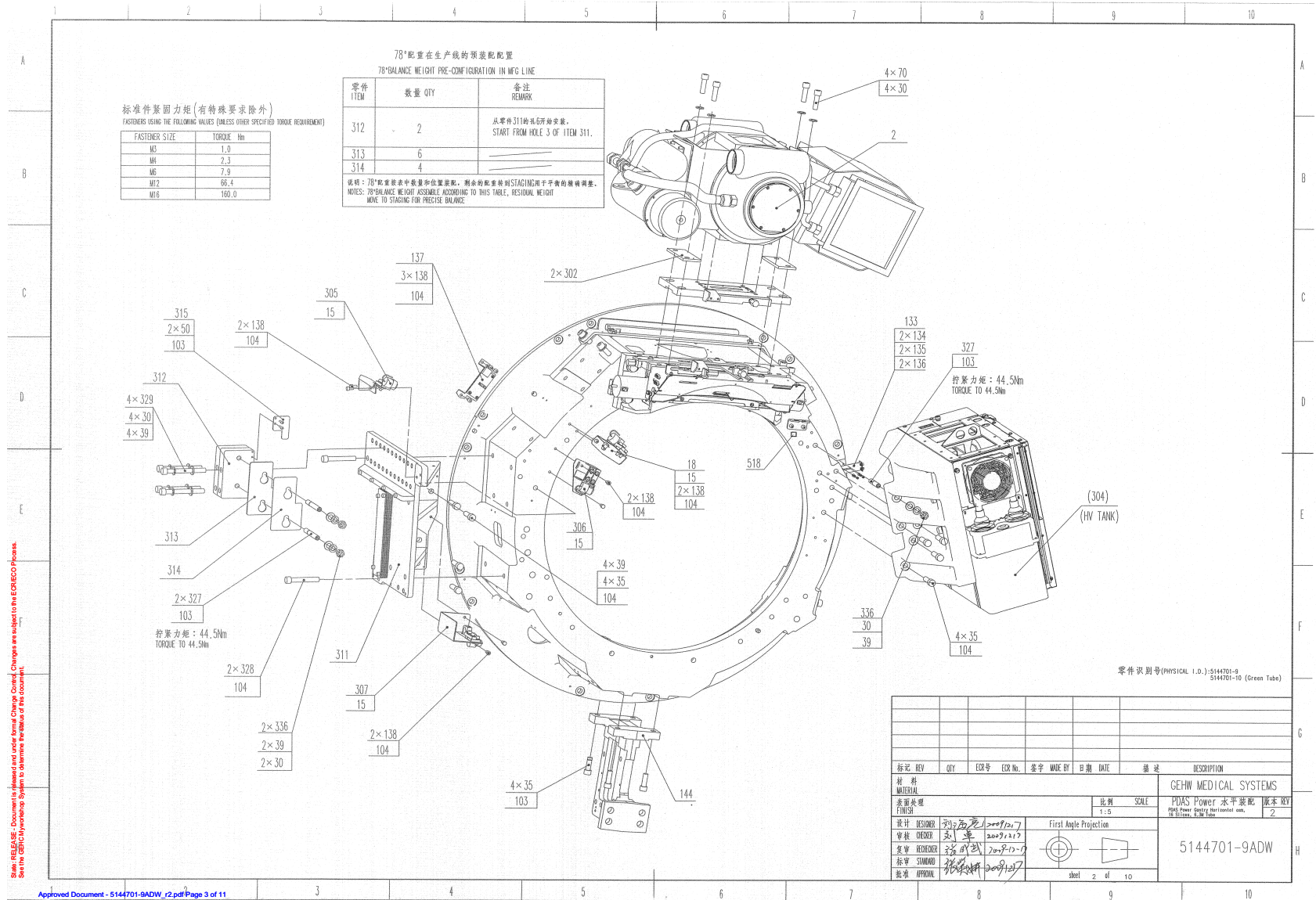


Figure 4-6 Meri Power Gantry Assembly-16 Slices,6.3M Tube (5144701-9ADW, sheet 2, rev 2)

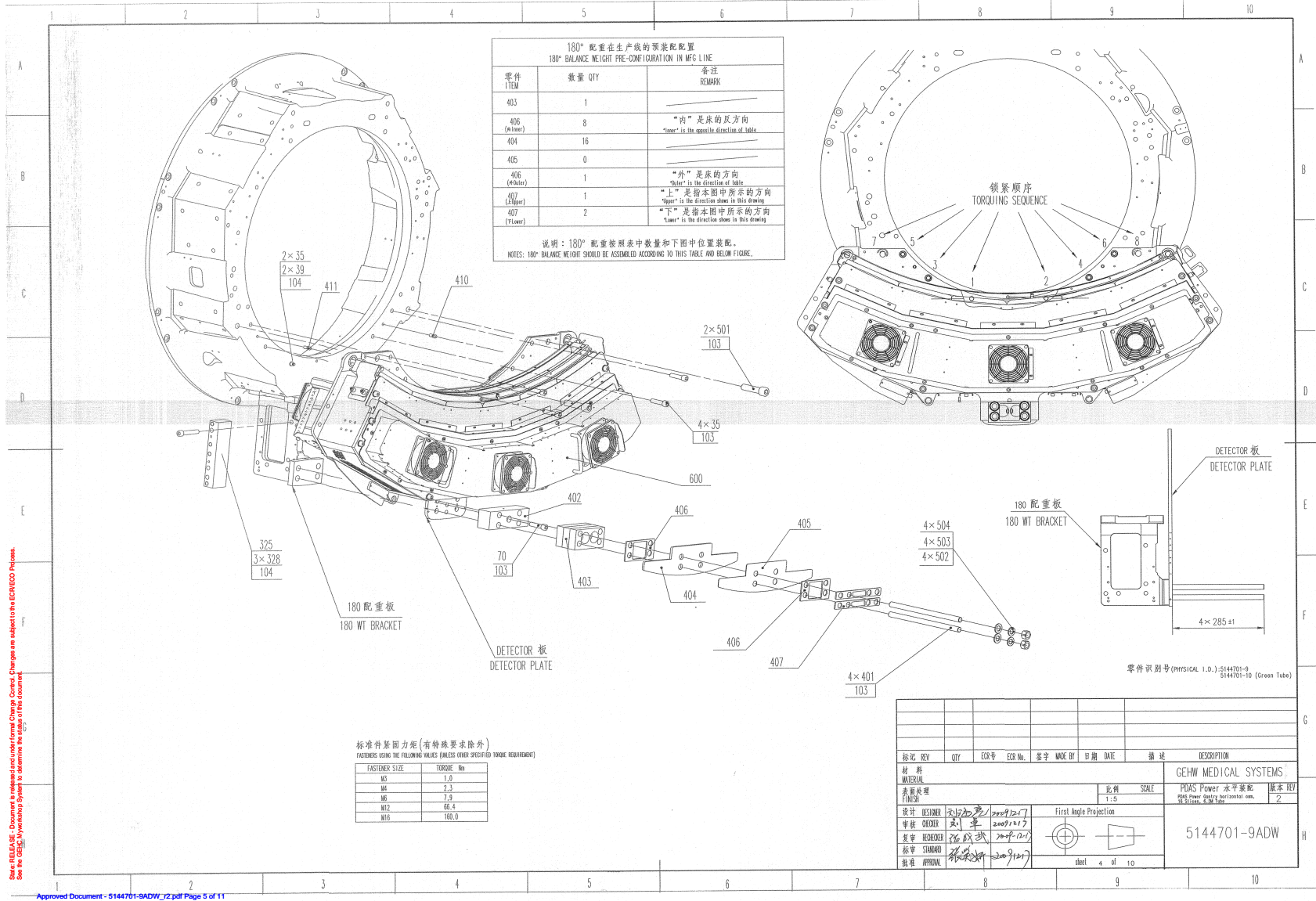


Figure 4-8 Meri Power Gantry Assembly-16 Slices, 6.3M Tube (5144701-9ADW, sheet 4, rev 2)

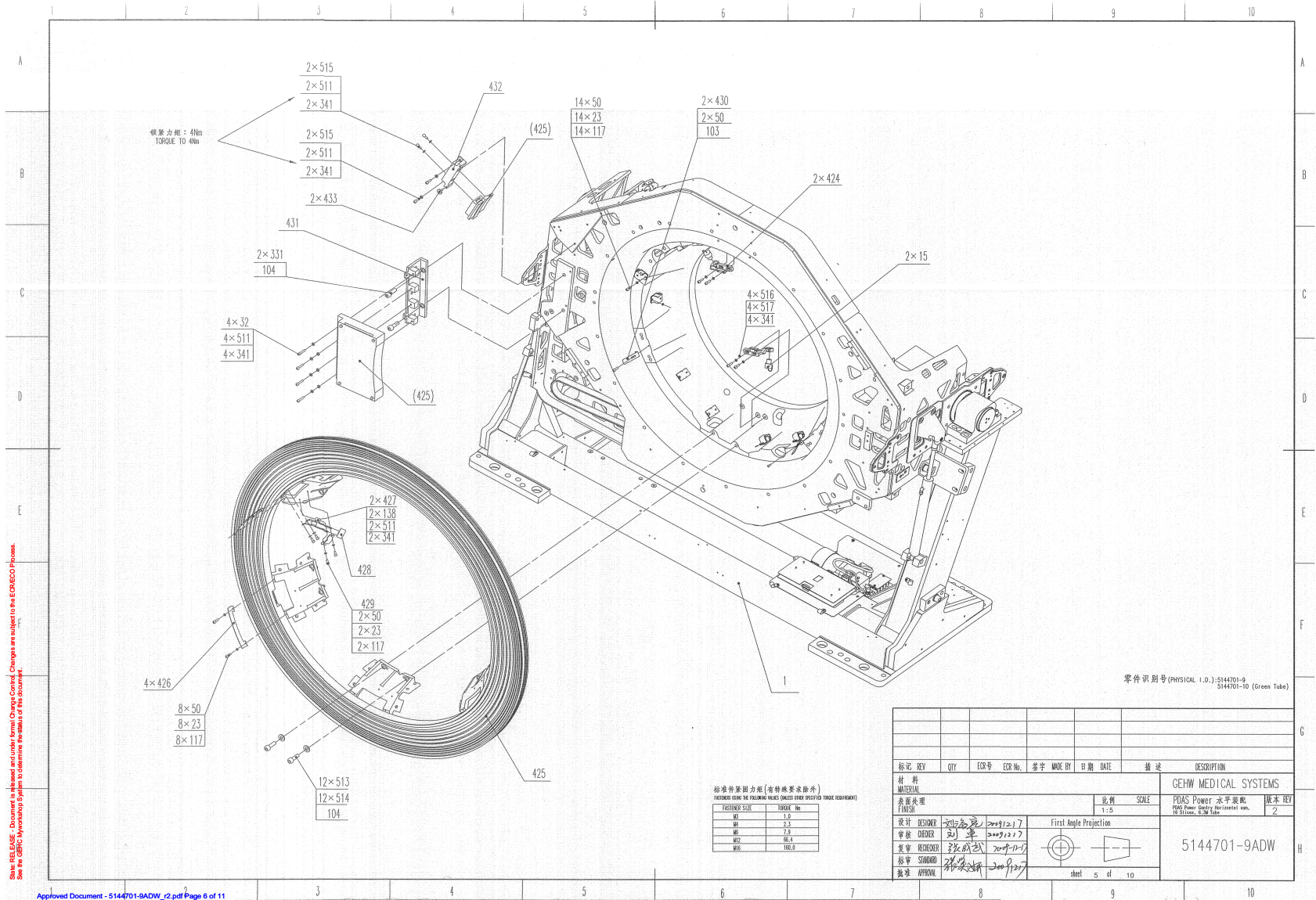


Figure 4-9 Meri Power Gantry Assembly-16 Slices,6.3M Tube (5144701-9ADW, sheet 5, rev 2)

零件识别号(PHYSICAL I.D.): 5144701-9
5144701-10(Green Tube)

标记 REV	QTY	ECR No.	ECR No.	签字	MADE BY	日期	DATE	描述	DESCRIPTION
材料	GEHW MEDICAL SYSTEMS								
MATERIAL	PDAS Power 水平架配								
表面处理	PDAS Power Gantry Horizontal arm, 6.3M, 6.3M Tube								
FINISH	2								
设计 DESIGN	First Angle Projection								
审核 CHECKER	5144701-9ADW								
复审 RECHECKER	5144701-9ADW								
标准 STANDARD	5144701-9ADW								
批准 APPROVAL	5144701-9ADW								

Sheet 6 of 10

Figure 4-10 Meri Power Gantry Assembly-16 Slices,6.3M Tube (5144701-9ADW, sheet 6, rev 2)

零件识别号(PHYSICAL I.D.): 5144701-9
5144701-10(Green Tube)

标记 REV	QTY	ECR 号	ECR No.	谁字 MADE BY	日期 DATE	名称	DESCRIPTION
材料 MATERIAL							GEHW MEDICAL SYSTEMS
表面处理 FINISH							比例 SCALE
设计 DESIGN							PDAS Power 水平装配 PDAS Power Gantry Horizontal ass. 16 Slices, 6.3M Tube
制图 CHECKER							比例 SCALE
审核 RECHECKER							2
标准 STANDARD							5144701-9ADW
批准 APPROVAL							Sheet 7 of 10

Figure 4-11 Meri Power Gantry Assembly-16 Slices,6.3M Tube (5144701-9ADW, sheet 7, rev 2)

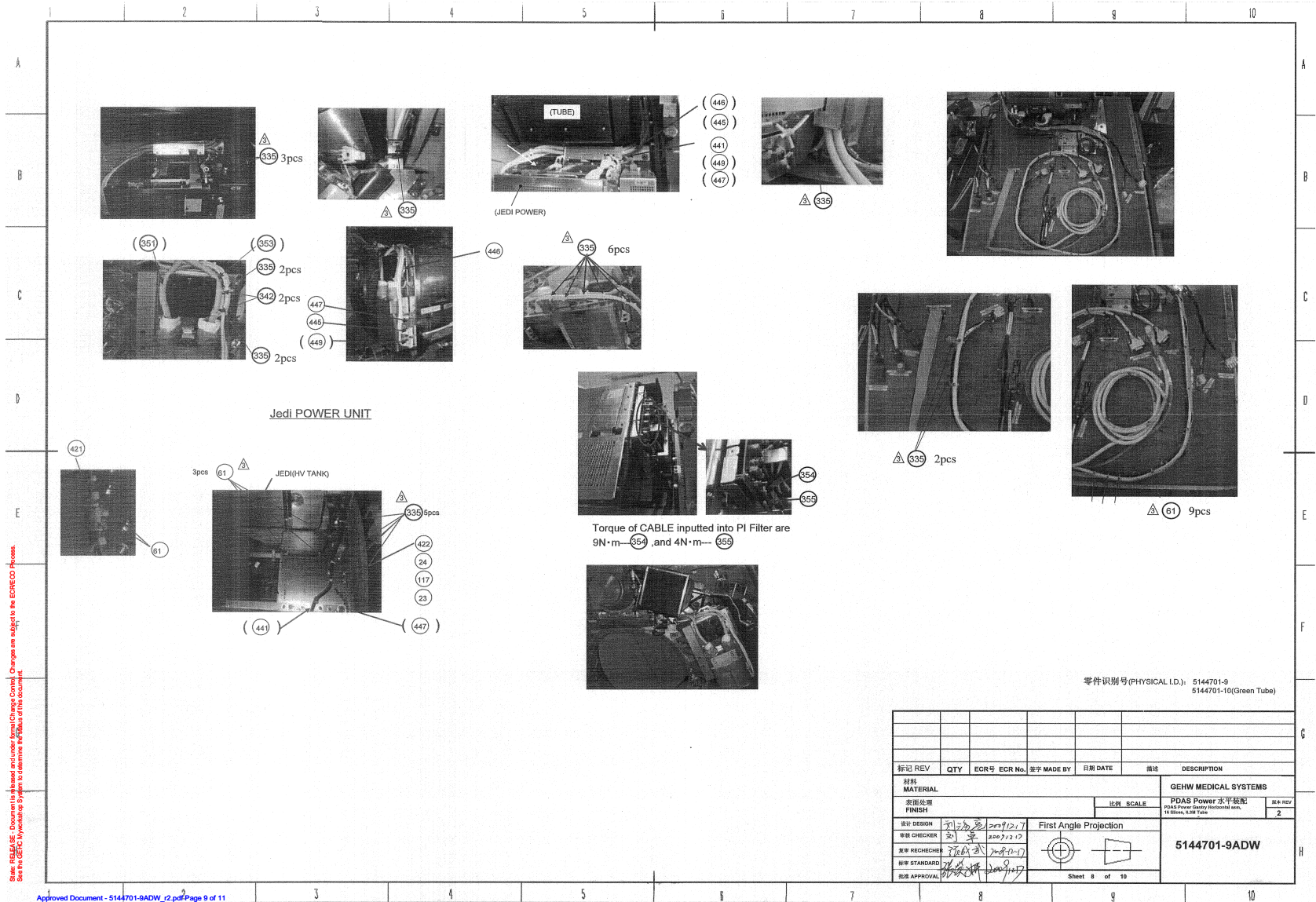


Figure 4-12 Meri Power Gantry Assembly-16 Slices,6.3M Tube (5144701-9ADW, sheet 8, rev 2)

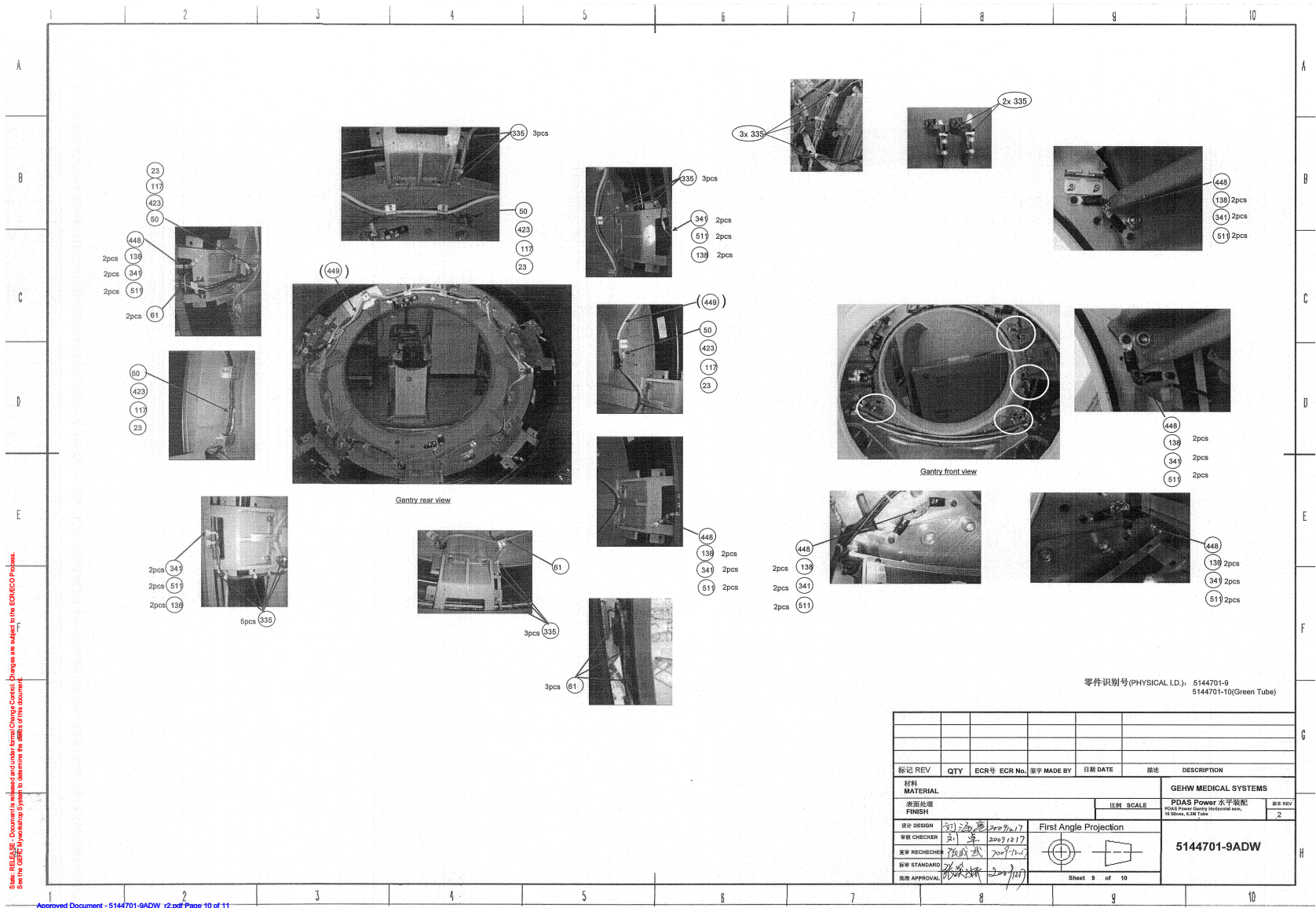


Figure 4-13 Meri Power Gantry Assembly-16 Slices,6.3M Tube (5144701-9ADW, sheet 9, rev 2)

零件识别号(PHYSICAL I.D.): 5144701-9
5144705-10(Green Tube)

标记 REV	QTY	ECR 号	ECR No.	签字	MADE BY	日期	DATE	描述	DESCRIPTION
材料 MATERIAL									
表面处理 FINISH								比例 SCALE	GEHW MEDICAL SYSTEMS
设计 DESIGN 刘永亮 2007.12.17								First Angle Projection	PDAS Power 水平装配
工艺 CHECKER 刘永亮 2007.12.17									5144701-9ADW
工艺 RECHECKER 张成利 2007.12.17									2
工艺 STANDARD 张成利 2007.12.17								Sheet 10 of 10	
工艺 APPROVAL 张成利 2007.12.17									

Approved Document - 5144701-9ADW_r2.pdf Page 11 of 11

Figure 4-14 Meri Power Gantry Assembly-16 Slices,6.3M Tube (5144701-9ADW, sheet 10, rev 2)

MARK	NUMBER	QTY	FRU	DESCRIPTION/NAME
	2120104	2.0	Yes	PRESSURE PLATE FOR MOUNTING TUBE
	D3185T	1.0	Yes	PERFORMIX ULTRA TUBE UNIT WITH MOUNTING ASSEMBLY (GREEN)
2	D3186T	1.0	Yes	PERFORMIX ULTRA TUBE UNIT WITH MOUNTING ASSEMBLY RED {For further detail, see Section 3.1.14.2, beginning on page 274. }
4	5140001-4	1.0	Yes	helios 4 collimator with notched filler bar and rating plate {For further detail, see Section 3.1.14.3, beginning on page 279. }
15	2105617-4	7.0	Yes	SINGLE, TERMINATED LASER DIODE AMP CONNECTOR, 105MM LONG
23	46-328432P2	41.0	Yes	WASHER LOCK - SPRING 4.1 MM 7.6 MM ZINC PLATED, SPRING STEEL
24	46-328417P3	23.0	Yes	SCREW HEXAGON SOCKET 4 MM 10 MM ZINC PLATED, STEEL
30	46-328432P7	13.0	Yes	WASHER LOCK - SPRING 12.2 MM 21.1 MM
32	46-328417P16	6.0	Yes	SCREW HEXAGON SOCKET 6 MM 30 MM ZINC PLATED, STEEL
35	46-328417P66	43.0	Yes	SCREW HEXAGON SOCKET 12 MM 40 MM
39	2236649-5	27.0	Yes	WASHER, FLAT, ISO7089,M12, ST-HB200
45	46-328417P6	2.0	Yes	SCREW HEXAGON SOCKET 4 MM 20 MM ZINC PLATED, STEEL
50	46-328417P4	42.0	Yes	SCREW HEXAGON SOCKET 4 MM 12 MM ZINC PLATED, STEEL
57	46-208758P5	62.0	Yes	SELF LOCKING CABLE TIE
61	46-208758P10	38.0	Yes	8.00~ X .094~ SELF-LOCKING CABLE TIE 1/16~ TO 2~ WIRE BUNDLE RANGE. 18LB TENSILE STRENGTH, NYLON MATR~L. SAME AS 46-208758P7 EXCEPT RESTRICT VENDOR TO T&B. TIE MUST BE .094~ WID E. (DWG REV 5/92, JFK - OK).
70	46-328417P67	5.0	Yes	SCREW HEXAGON SOCKET 12 MM 50 MM
79	2217993	1.0	Yes	BELT SYNCHRONOUS 4400 MM 30 MM
103	46-170684P3	0.0	Yes	LOCTITE 271, 50ML BOTTLE. 12 MONTH SHELF LIFE FROM DATE OF SHIPMENT FROM THE MANUFACTURER. REV, TK, Jan 92
104	46-170686P3	0.0	Yes	LOCTITE 242, 50CC 12 MONTH SHELF LIFE FROM DATE OF SHIPMENT FROM THE MANUFACTURER.
117	46-328430P2	36.0	Yes	WASHER PLAIN - NORMAL 4.3 MM 9 MM ZINC PLATED, STEEL
125	46-328417P83	6.0	Yes	SCREW HEXAGON SOCKET 14 MM 60 MM
126	46-328432P10	6.0	Yes	WASHER LOCK - SPRING 14.2 MM 24.1 MM
127	2236649-8	6.0	Yes	WASHER, FLAT, ISO7089,M14, ST-HB200

Table 4-18 Meri Power Gantry Horizontal Assembly-16 slices, 6.3M Tube (5144701-9) BOM, rev 2)

MARK	NUMBER	QTY	FRU	DESCRIPTION/NAME
129	46-208718P3	1.0	Yes	CLAMP, CUSHIONED, ID .375 LOOP TYPE TA MFG CORP TA713D6
132	46-208718P5	2.0	Yes	1/2~ ID LOOP TYPE, TA MFG CO TA713D8
133	2357076	1.0	Yes	HOME FLAG BRKT,H4 GANTRY {For further detail, see Section 3.1.14.4, beginning on page 294. }
135	46-328430P9	3.0	Yes	WASHER PLAIN - NORMAL 3.2 MM 7 MM
136	46-328432P11	3.0	Yes	WASHER LOCK - SPRING 3.1 MM 6.2 MM
138	46-328417P12	54.0	Yes	SCREW HEXAGON SOCKET 6 MM 12 MM ZINC PLATED, STEEL
140	2174489	1.0	Yes	DIAL INDICATOR MNTS FOR TUBE ALIGNMT
141	46-328425P1	2.0	Yes	NUT HEXAGON 4 MM
148	46-198395P1	1.0	Yes	HEX STANDOFF/NUT
149	46-198393G1	1.0	Yes	SCREW BOLT
190	2363101-4	1.0	Yes	Fuse Box ASM, Pancake DAS {For further detail, see Section 2.1.2.1, beginning on page 173. }
192	2294856-2	1.0	Yes	DHCB, Board-Cover Asm EMC ED2 {For further detail, see Section 3.1.14.7, beginning on page 301. }
302	2120104-2	2.0	Yes	PRESSURE PLATE FOR MOUNTING TUBE
312	2378668	2.0	Yes	P2033DT 78WEIGHT-L
313	2378669	4.0	Yes	P2033DU 78WEIGHT-M
314	2378670	3.0	Yes	P2033DV 78WEIGHT-S
328	46-328417P69	5.0	Yes	SCREW HEXAGON SOCKET 12 MM 80 MM
331	46-328417P64	6.0	Yes	SCREW HEXAGON SOCKET 12 MM 30 MM
333	46-170260P2	0.0	Yes	LUBRICATING GREASE USED ON BEARINGS. LITHIUM BASED MINERAL OIL GREASE. BEIGE COLOR, 1 LB. CAN. EXTREME PRESSURE AND WATERPROOF FEAT URES. (DWG REV 4/92, JFK - OK).
335	46-208758P3	84.0	Yes	7.31~ X .184~ SELF-LOCKING CABLE TIE 1/16~ TO 1-3/4~ WIRE BUNDLE RANGE. 50LB TENSILE STRENGTH, NYLON MATR~L.
336	46-328425P13	5.0	Yes	NUT HEXAGON 12 MM
337	U0208AC	5.0	Yes	CLAMP TC-142 TAIRATSUPU KOTEI
341	2236649-2	28.0	Yes	WASHER, FLAT, ISO7089, M6, ST-HB200

Table 4-18 Meri Power Gantry Horizontal Assembly-16 slices, 6.3M Tube (5144701-9) BOM, rev 2) (Continued)

MARK	NUMBER	QTY	FRU	DESCRIPTION/NAME
342	U0213AC	8.0	Yes	DUO RING
351	2201185-3* 5128609-8	1.0	Yes	P9230TP HV CABLE CATHODE 2.3M HV CABLE
352	5128609* 5128609-7	1.0	Yes	HV CABLE Positioning HP60 HV CABLE
353	2368445* 5128609-9	1.0	Yes	P2053RJ HVCABLE HEMIT LONG HV CABLE
354	2368628	1.0	Yes	P2053RL HVDC MINUS
355	2368449	1.0	Yes	P2053RE HVDE
401	2342902-4	4.0	Yes	THREADED ROD M16, 320 LENGTH
403	2317865-2	3.0	Yes	SPACER,180 DEG,25.4MM
404	2342895-2	13.0	Yes	WEIGHT,180 DEG,6MM
405	2342895-3	3.0	Yes	WEIGHT,180 DEG,1.5MM
406	2317863	9.0	Yes	SHIM,180 DEG,3.2MM
407	2317994	3.0	Yes	WEIGHT,TRIM
421	U0027MC	1.0	Yes	CORE
422	U0030AC	2.0	Yes	CLAMP OR CLIP CLAMP
423	U0032AC	6.0	Yes	CLAMP OLD CLAMP
425	2349589	1.0	Yes	850 MB H-POWER SLIPRING ASSEMBLY {For further detail, see Section 3.1.14.14, beginning on page 370. }
427	2286419	2.0	Yes	CAPACITOR, HV WITH RING TERMINALS
430	2348279	2.0	Yes	CABLE RETENTION BRACKET
432	2333293	1.0	Yes	BRACKET - RECEIVER MOUNT
433	2291717	2.0	Yes	THUMB SCREW, FLAT KNURLED M5
441	2395016	1.0	Yes	HARNESS, COLLIMATOR (GDAS)

Note: *5128609-8 can replace 5128609-2/2201185-3 directly for RoHs requirement.

*5128609-7 can replace 5128609 and 2241313-2 directly.

*5128609-9 can replace 2368445 directly for RoHs requirement.

Table 4-18 Meri Power Gantry Horizontal Assembly-16 slices, 6.3M Tube (5144701-9) BOM, rev 2) (Continued)

MARK	NUMBER	QTY	FRU	DESCRIPTION/NAME
442	2215315	1.0	Yes	DAS DCB TERMINATOR
443	2333306-2	1.0	Yes	harness, laser alignment lights, with ferrite
445	2368768	1.0	Yes	P2053RP JEDI POWER UNIT TO POWER INT
446	2368968	1.0	Yes	P2053RM POWER I/F BD TO JEDI FAN CAB LE
447	2377649	1.0	Yes	P2033TG CABLE, SIGNAL, DAS TO INVERT
449	2368769-2	1.0	Yes	P2053RQ JEDI TO ORP CAN CABLE ASSY Positioning HP60
450	2333308-2	1.0	Yes	cable, orp to slip ring comm, with ferrite
485	2363838-2	1.0	Yes	Harness, GDAS, Digital to DAS, ED.2 EMC
486	5124434	1.0	Yes	Cable, ASTEC Analog 5V To DAS
501	46-328417P35	2.0	Yes	SCREW HEXAGON SOCKET 16 MM 50 MM ZINC PLATED, STEEL
502	2236649-6	4.0	Yes	WASHER, FLAT, ISO7089,M16, ST-HB200
503	46-328432P5	4.0	Yes	WASHER LOCK - SPRING 16.2 MM 27.4 MM ZINC PLATED, SPRING STEEL
504	46-328425P4	4.0	Yes	NUT HEXAGON 16 MM
505	46-328420P1	2.0	Yes	SCREW BUTTON HEAD 4 MM 8 MM BLACK OXIDE, STEEL
506	46-328417P70	2.0	Yes	SCREW HEXAGON SOCKET 12 MM 100 MM
510	46-328431P2	7.0	Yes	WASHER PLAIN - LARGE 6.4 MM 18 MM ZINC PLATED, STEEL
511	46-328432P3	24.0	Yes	WASHER LOCK - SPRING 6.1 MM 11.8 MM ZINC PLATED, SPRING STEEL
512	46-328431P1	1.0	Yes	WASHER PLAIN - LARGE 4.3 MM 12 MM ZINC PLATED, STEEL
513	2275713-8	12.0	Yes	WASHER, FLAT NON STD FOR M12 20 OD
514	46-328417P65	12.0	Yes	SCREW HEXAGON SOCKET 12 MM 35 MM
515	46-328417P13	4.0	Yes	SCREW HEXAGON SOCKET 6 MM 16 MM ZINC PLATED, STEEL
516	46-328417P14	4.0	Yes	SCREW HEXAGON SOCKET 6 MM 20 MM ZINC PLATED, STEEL
1	5144709	1.0	No	SL4 GANTRY FRAME HLA {For further detail, see Section 3.1.14.1, beginning on page 263. }
5	2121255-6	4.0	No	PINS ROUND PIN - 10MM DIA X 30MM LONG
6	2148597-4	1.0	No	ADJUSTER BLOCK
7	2148597-5	1.0	No	ADJUSTER BLOCK - H4 COLLIMATOR
18	2229774-2	2.0	No	INTERNAL LASER ASM H2

Table 4-18 Meri Power Gantry Horizontal Assembly-16 slices, 6.3M Tube (5144701-9) BOM, rev 2) (Continued)

MARK	NUMBER	QTY	FRU	DESCRIPTION/NAME
107	2349679	1.0	No	BRACKET, DIAL INDICATOR (H POWER)
134	46-328416P60	2.0	No	SCREW HEXAGON HEAD 3 MM 14 MM
137	2227383-3	1.0	No	HOME FLAG, PWB MTG, H4 GDAS GANTRY {For further detail, see Section 3.1.14.5, beginning on page 296. }
144	2360222-4	1.0	No	180 weight bracket, threaded
304	2371333-2	1.0	No	JEDI 60DC Generator {For further detail, see Section 3.1.14.10, beginning on page 307. }
305	5149730	1.0	No	SL4 EXTERNAL LASER ASM
306	2378655	1.0	No	P2033ED SAGITTAL LASER ASM HP60
307	2378657	1.0	No	P2033EG INTERNAL LASER ASM HP60
308	2378666	1.0	No	P2033DL POWER IF ASSY HP60 {For further detail, see Section 3.1.14.11, beginning on page 341. }
309	2370279	1.0	No	AUX-MNT
310	2370277	1.0	No	CABLE-GUIDE
311	2378667-4	1.0	No	P2033DP HEMIT MNT
315	2397799	1.0	No	P2033DW 78WEIGHT HOOK
317	5111277	1.0	No	HP60 GANTRY CABLE-TOP-BRKT
318	5111278	1.0	No	HP60 GANTRY HV-TANK-WEIGHT
319	5111279	1.0	No	HP60 GANTRY JEDI-CABLE-DUCT
320	5111280	1.0	No	HP60 GANTRY JEDI-DUCT-COVER
322	2396108-2	1.0	No	HP60 GDAS WEIGHT BRKT
323	2396109	1.0	No	P2033CP HP60 CNTR WGT 1
324	2396110	1.0	No	P2033CQ HP60 CNT WGT 2
325	5111282-2	1.0	No	HP60 GANTRY WEIGHT-180BRKT-1-HP60G
327	5126559	3.0	No	STUD BOLT U0479AA
329	5128067	4.0	No	CAP SCREW U0480AA
402	5113660-2	1.0	No	Spacer,180 weight stack,steel
408	5159042-2	1.0	No	ORP-ASM For PDAS Gantry {For further detail, see Section 2.1.2.2, beginning on page 176. }

Table 4-18 Meri Power Gantry Horizontal Assembly-16 slices, 6.3M Tube (5144701-9) BOM, rev 2) (Continued)

MARK	NUMBER	QTY	FRU	DESCRIPTION/NAME
409	2348280	2.0	No	CABLE CLAMP
410	2121255-4	1.0	No	PINS ROUND PIN -10MM DIA X 25.4MM LG
411	2121255-5	1.0	No	PINS DIAMOND PIN -10MM DIA X 25,4MM LG
412	2386046	2.0	No	BRACKET, GDAS HARNESS RESTRAINT
413	2386046-2	1.0	No	GDAS bracket
415	2396998-2	1.0	No	HP60 GANTRY PLATE BRKT
416	2395130-2	1.0	No	HP60 GANTRY NOISE PRT PLT-GDAS
417	5111284	1.0	No	HP60 GANTRY PLT-GUARD-HP60G
418	5111285	1.0	No	HP60 GANTRY WEIGHT-RIGHT-HP60G
419	5111286	1.0	No	HP60 GANTRY WEIGHT-LEFT-HP60G
420	5111287	1.0	No	HP60 GANTRY WEIGHT-LEFT-BASE
424	2363500	2.0	No	ASSEMBLY, CORONAL LASER, HPOWER
426	2284954	4.0	No	COVER, SLIPRING POWER TERMINAL
428	2287894	1.0	No	EMI FERRITE FOR CABLES 12MM X 25MM
429	2152834	1.0	No	BRACKET,550V CABLE SUPPORT
431	2269320-6	1.0	No	SUPPORT BASE FOR PLATTER SR BRUSHBLK
448	2275840-10	6.0	No	ground - braid - rotating base to generator_das base
461	5111283-2	1.0	No	HP60 GANTRY WEIGHT-180BRKT-2-HP60G
462	5159040	1.0	No	BS OPTICAL CABLE GUARD16
481	2386045	1.0	No	BRACKET, LT BACKPLANE STRAIN RELIEF
482	2386048	2.0	No	CENTER BACKPLANE CONNECTOR BRACKET
483	2386049	1.0	No	MULTI. CONNECTOR STRAIN RELIEF BRKT
484	5130042	1.0	No	Bracket, Analog PS Conn. Restraint
507	46-328417P73	1.0	No	SCREW HEXAGON SOCKET 3 MM 6 MM
517	2269013	4.0	No	RIBBED SPRING WASHER, ZINC PLATED INNER DIA. 6.4MM, OUTER DIA. 10MM
600	5488088	1.0	No	PK DAS Detector ASM {For further detail, see Section 2.1.2.3, beginning on page 178. }
601	5488014	1.0	No	PK DAS Balance Weight Under IFB-Left

Table 4-18 Meri Power Gantry Horizontal Assembly-16 slices, 6.3M Tube (5144701-9) BOM, rev 2) (Continued)

MARK	NUMBER	QTY	FRU	DESCRIPTION/NAME
602	5488015	1.0	No	PK DAS Balance Weight Under IFB-Right
603	5488032	2.0	No	PK Gantry Counter Weight
604	5488074	1.0	No	PK DAS Connector Protection Bracket-L
605	5488075	1.0	No	PK DAS Connector Protection Bracket-R
606	5488076	1.0	No	PK DAS Double Action Cable Clamp
609	5488079	1.0	No	PK DAS Main Harness clamp
610	5488080	1.0	No	PK DAS Main Power Cable Clamp
611	5488081	1.0	No	PK DAS ORP power supplier cable clamp
612	5488082	1.0	No	PK DAS PS cable clamp
613	5488083	1.0	No	PK DAS main cable clamp2
614	5488020	1.0	No	PK DAS POWER SUPPLY ASSEMBLY
615	5488091	1.0	No	PK DAS EMC PRINT PLATE

Table 4-18 Meri Power Gantry Horizontal Assembly-16 slices, 6.3M Tube (5144701-9) BOM, rev 2) (Continued)

2.1.2.1 Fuse Box ASM, Pancake DAS (2363101-4)

FRU = YES

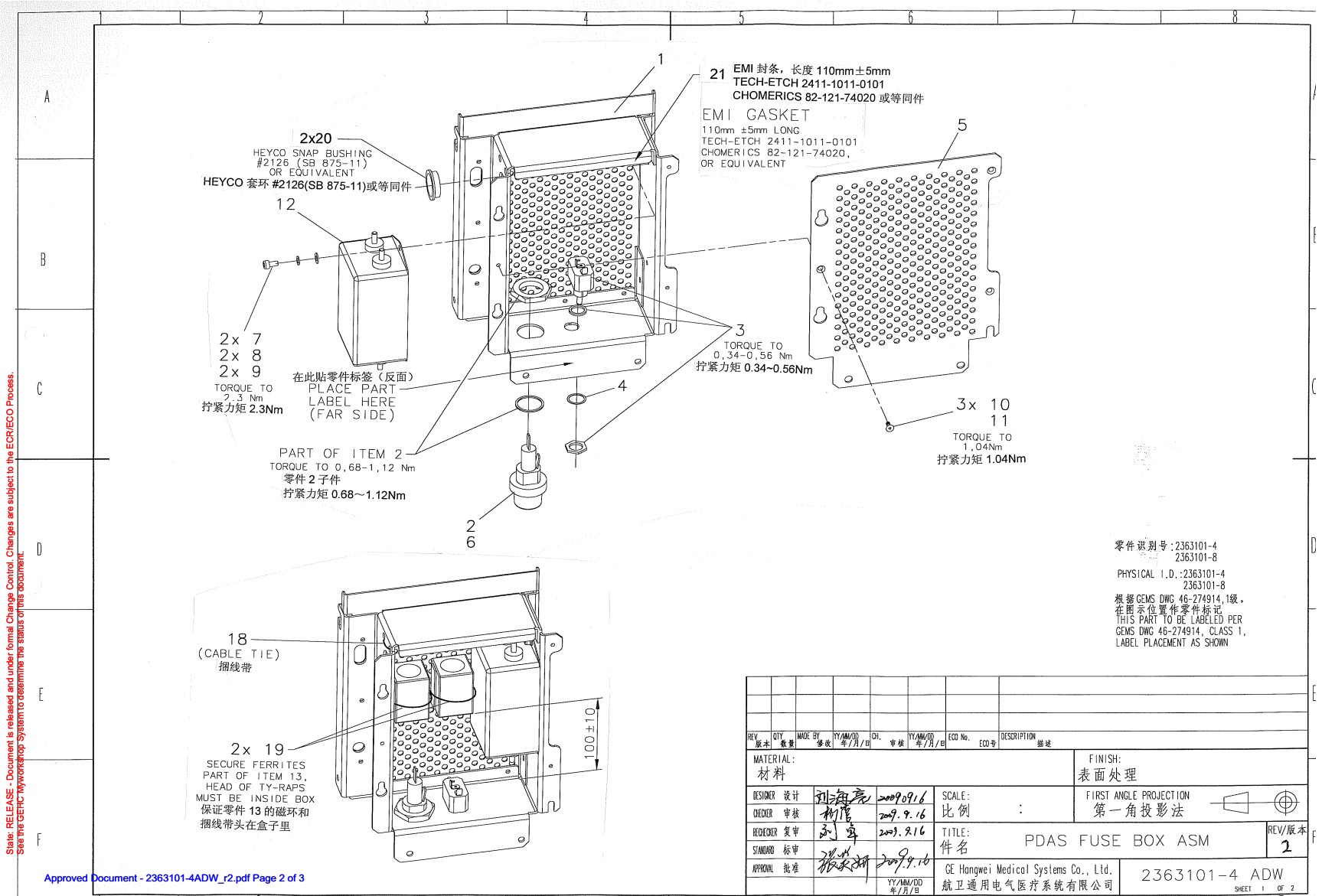


Figure 4-15 Fuse Box ASM, Pancake DAS (2363101-4ADW, sheet 1, rev 1)

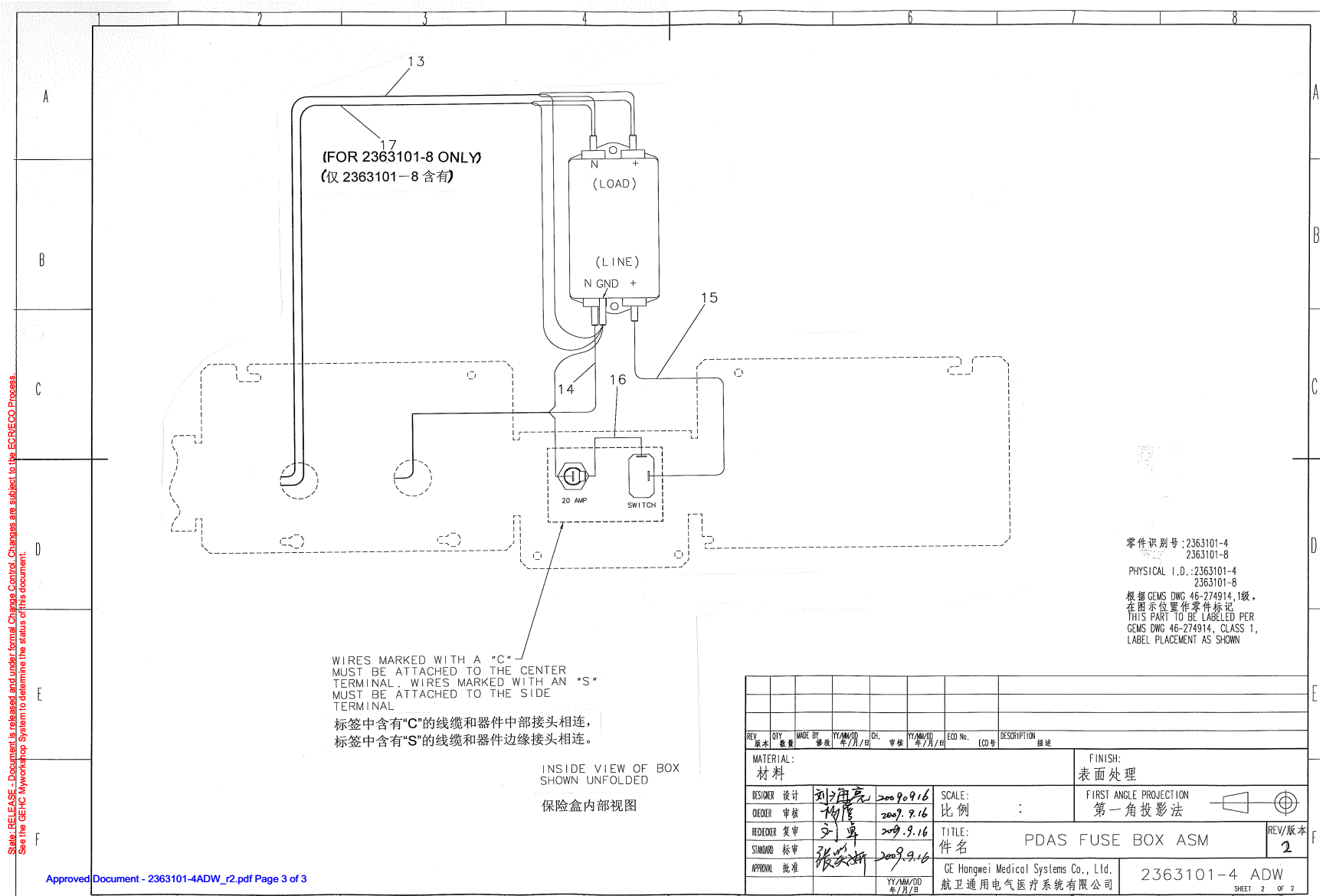


Figure 4-16 Fuse Box ASM, Pancake DAS (2363101-4ADW, sheet 2, rev 1)

MARK	NUMBER	QTY	FRU CODE	DESCRIPTION/NAME
2	5331151	1.0	Yes	30A, 600V PANEL-MOUNTED FUSEHOLDER_QUICK-CONNECT TERMINALS--RoHS
3	5329153	1.0	Yes	SPST, ON-OFF 20A TOGGLE SWITCH--RoHS
4	46-208601P11	1.0	Yes	SCREW SIZE 7/16, INTERNAL TOOTH WSHR ZINC PL STL
6	5329469	1.0	Yes	FUSE 20 AMPS 500 VOLTS .3 SECONDS--RoHS
7	1000-M4C008-04	2.0	Yes	Hexagon Socket Head Cap Screw, M4-0.7, X8mm Long, Grade 8.8 Steel, Zinc Plated, RoHS Fastener
8	2203-M4-07	2.0	Yes	Curved Lock Washer, DIN 128A, M4, Spring Steel, Zinc Plated, RoHS Fastener
9	2000-M4-02	2.0	Yes	Flat Washer, ISO7089, M4, Steel 140HV, Zinc Plated, RoHS Fastener
10	1004-M3C006-22	3.0	Yes	Hexagon Socket C-Sunk Head Screw, M3-0.5, X6mm Long, Grade10.9 Steel, Black Oxide, RoHS Fastener
11	46-170686P3	0.0	Yes	LOCTITE 242, 50CC 12 MONTH SHELF LIFE FROM DATE OF SHIPMENT FROM THE MANUFACTURER.
12	5328134	1.0	Yes	LINE FILTER 20A, 120 VAC-RoHS
18	46-208758P2	1.0	Yes	5.5~ X .140~ SELF-LOCKING CABLE TIE.1/16~ TO 1-1/4~ WIRE BUNDLE RANGE. 30LB TENSILE STRENGTH, NYLON MATR~L.
19	46-208758P10	2.0	Yes	8.00~ X .094~ SELF-LOCKING CABLE TIE 1/16~ TO 2~ WIRE BUNDLE RANGE. 18LB TENSILE STRENGTH, NYLON MATR~L.SAME AS 46-208758P7 EXCEPT RESTRICT VENDOR TO T&B. TIE MUST BE .094~ WIDE. (DWG REV 5/92, JFK - OK).
1	2363206-2	1.0	No	FUSE BOX - EMC
5	2387625-2	1.0	No	REAR COVER, FUSE BOX - EMC ED2
13	5118946-3	1.0	No	Fuse Box AC Output, Pancake DAS
14	5118947-3	1.0	No	Cable Fuse Box AC Input GDAS--RoHS
15	5118950-2	1.0	No	Wire Switch To Filter GDAS--RoHS
16	5122690-2	1.0	No	Cable, Fuse Box AC Output GDAS--RoHS
20	5334786	2.0	No	Heyco Snap Bushing # 2126,SB 875-11. Mounting Hole Diameter: 22.2mm Inside Diameter: 17.5mm Color: Black --RoHS
21	5218496	110.0	No	EMI GASKET 110mm LONG 5mm tolerance--RoHS

Table 4-19 Fuse Box ASM, Pancake DAS (2363101-4 BOM, Rev 1)

MARK	NUMBER	QTY	FRU CODE	DESCRIPTION/NAME
5	46-328417P13	4.0	Yes	SCREW HEXAGON SOCKET 6 MM 16 MM ZINC PLATED, STEEL
6	46-328432P3	4.0	Yes	WASHER LOCK - SPRING 6.1 MM 11.8 MM ZINC PLATED, SPRING STEEL
7	46-328417P3	3.0	Yes	SCREW HEXAGON SOCKET 4 MM 10 MM ZINC PLATED, STEEL
8	46-328432P2	7.0	Yes	WASHER LOCK - SPRING 4.1 MM 7.6 MM ZINC PLATED, SPRING STEEL
9	46-328430P2	7.0	Yes	WASHER PLAIN - NORMAL 4.3 MM 9 MM ZINC PLATED, STEEL
10	2379140	4.0	Yes	STANDOFF,M4 X 20 MM,MALE-FEMALE THDS
12	2389885-3	1.0	Yes	ORP2 BOARD ASSY POSITIONING HP60
1	5159043	1.0	No	SL4 ORP COVER
4	2350781-2	1.0	No	BRACKET, ORP MOUNTING
11	5159044	1.0	No	SL4 ORP ENCLOSURE

Table 4-20 ORP-ASM For PDAS Gantry (5159042-2 BOM, Rev 1)

2.1.2.3 PK DAS Detector ASM (5488088)

FRU = NO

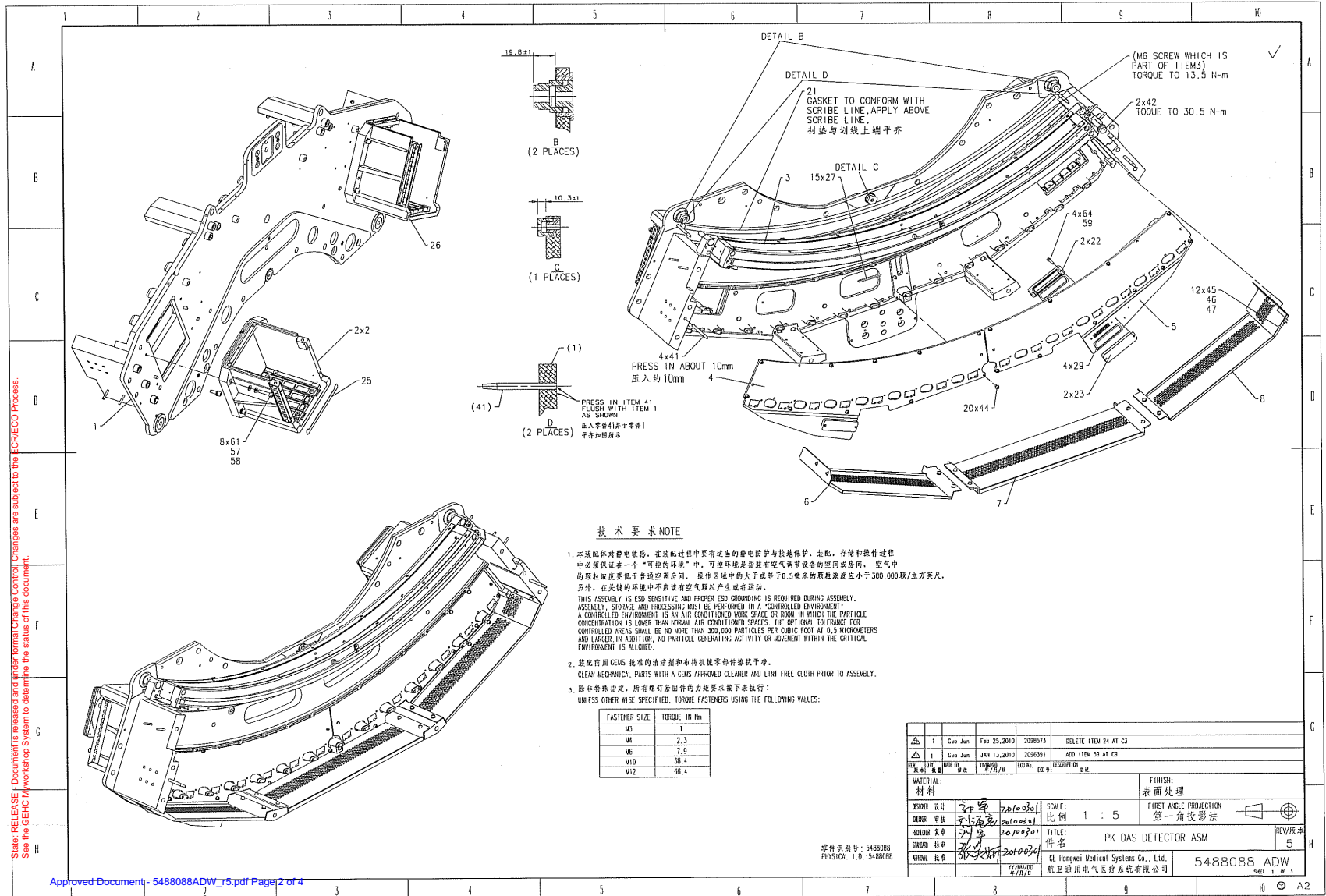


Figure 4-18 PK DAS Detector ASM (5488088ADW, sheet 1, rev 5)

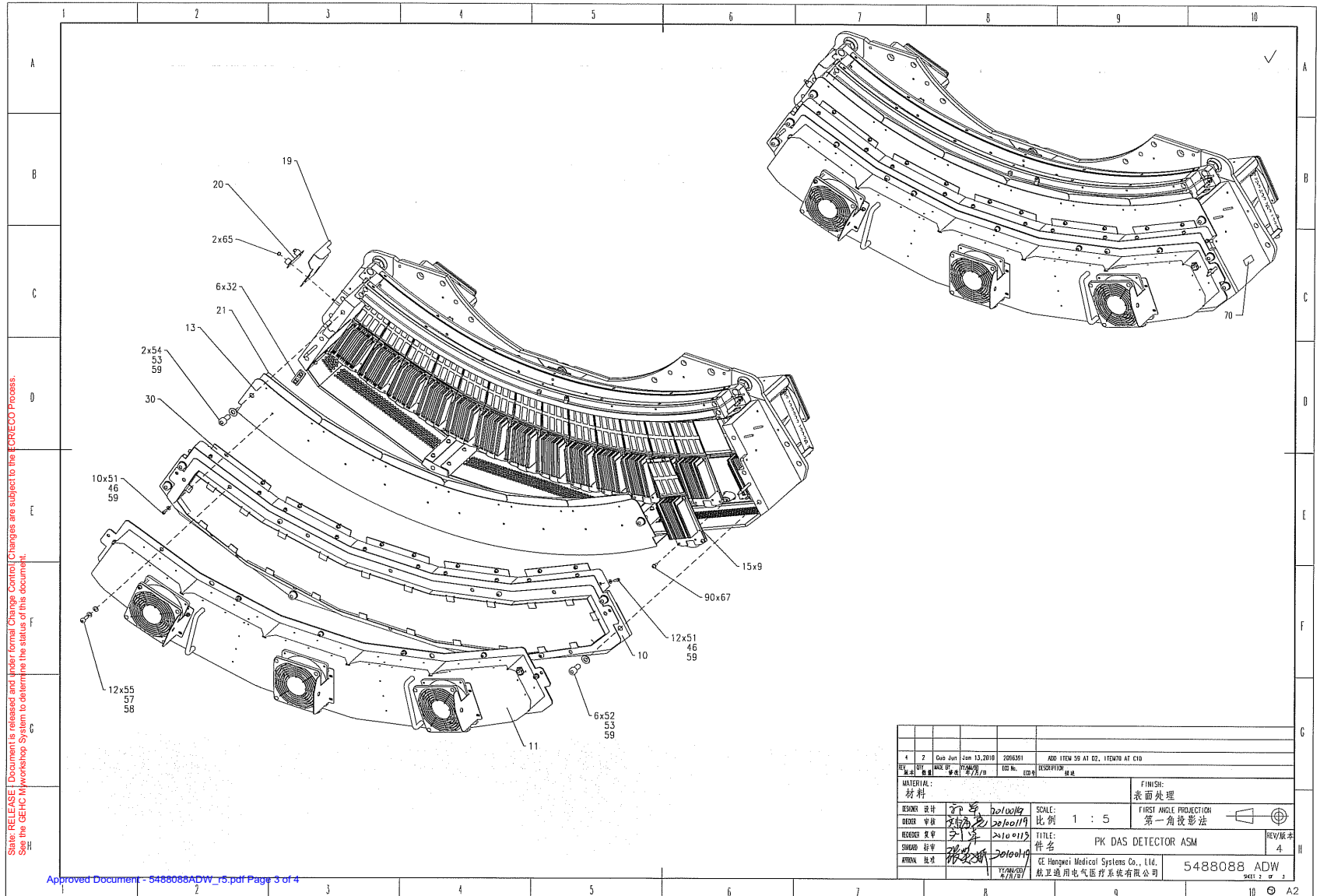


Figure 4-19 PK DAS Detector ASM (5488088ADW, sheet 2, rev 5)

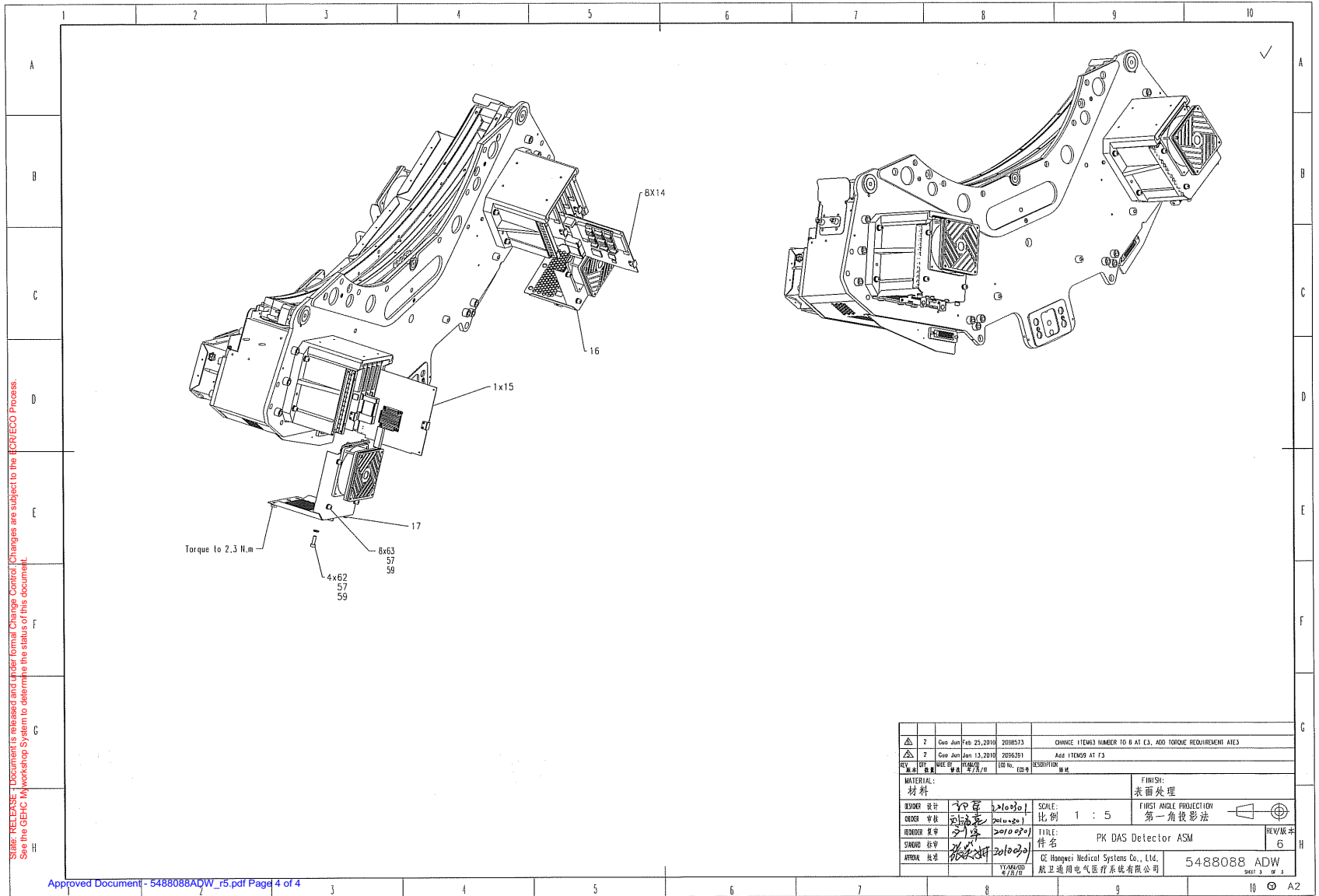


Figure 4-20 PK DAS Detector ASM (5488088ADW, sheet 3, rev 5)

MARK	NUMBER	QTY	FRU CODE	DESCRIPTION/NAME
3	2354053	1.0	Yes	WATSON16 DET ASM W/DIODE UPGRADE
4	5830202	1.0	Yes	Pancake High Channel Backplane ASSY
5	5830200	1.0	Yes	Pancake Low Channel backplane ASSY
9	5488016	15.0	Yes	PDAS ADB ASM WITH DDIF (refer to Table 4-22)
14	5194006-4	8.0	Yes	Pancake DIFB PWA, only update the heatsink
15	5317077	1.0	Yes	Pancake 16 slice DCB rev 3
21	2219517	2.0	Yes	EMI GASKET CHOMERICS 1000, .75 X .75
42	2336874	2.0	Yes	SCREW FLANGE SOCKET H 10 MM 40 MM
44	5340477	20.0	Yes	M4x10 flange screw, hexagon socket, RoHS
54	1000-M10C020-04	2.0	Yes	Hexagon Socket Head Cap Screw, M10-1.5, X20mm Long, Grade 8.8 Steel, Zinc Plated, RoHS Fastener
59	46-170686P3	1.0	Yes	LOCTITE 242, 50CC 12 MONTH SHELF LIFE FROM DATE OF SHIPMENT FROM THE MANUFACTURER
63	1000-M6C012-04	8.0	Yes	Hexagon Socket Head Cap Screw, M6-1, X12mm Long, Grade 8.8 Steel, Zinc Plated, RoHS Fastener
1	5488036	1.0	No	PK DAS Detector Frame ASM
2	5488000	2.0	No	ASM IFB DAS Pancake
6	5488055	1.0	No	PK DAS ADB Cover Enclosure Left
7	5488058	1.0	No	PK DAS ADB Cover Enclosure Center
8	5488061	1.0	No	PK DAS ADB Cover Enclosure Right
10	5488086	1.0	No	PK DAS Air Filter and Guide ASM
11	5488039	1.0	No	PK DAS Fan Duct ASSEMBLY
13	5488053	1.0	No	PK Detector Duck
16	5488005-2	1.0	No	PK IFB COVER ASM LEFT
17	5488005	1.0	No	Cover Asm DAS Pancake
19	5488033	1.0	No	PK DAS air dam LH
20	5488062	1.0	No	PK DAS CLAMP AIR DAM
22	5488092	2.0	No	PK BP Connector Shielding Adapter

Table 4-21 PK DAS Detector ASM (5488088 BOM, Rev 8)

MARK	NUMBER	QTY	FRU CODE	DESCRIPTION/NAME
23	5488090	2.0	No	PK BP Connector shielding cap
25	5488052	1.0	No	PK IFB BOX label Right
26	5488051	1.0	No	PK IFB BOX Label Left
27	5488084	15.0	No	PK DAS ADB Bottom Seal
29	5488098-1	4.0	No	EMI SHIELDING
30	5488089	1.0	No	PK ADB MID PLENUM BRACKET
32	2327386	6.0	No	BACKSHELL
41	2136615	4.0	No	GUIDE PIN FOR ALIGNMENT
45	1000-M4C008-04	12.0	No	Hexagon Socket Head Cap Screw, M4-0.7, X8mm Long, Grade 8.8 Steel, Zinc Plated, RoHS Fastener
46	2000-M4-02	34.0	No	Flat Washer, ISO7089, M4, Steel 140HV, Zinc Plated, RoHS Fastener
47	2203-M4-07	12.0	No	Curved Lock Washer, DIN 128A, M4, Spring Steel, Zinc Plated, RoHS Fastener
51	1000-M4C010-04	22.0	No	Hexagon Socket Head Cap Screw, M4-0.7, X10mm Long, Grade 8.8 Steel, Zinc Plated, RoHS Fastener
52	1000-M10C025-04	6.0	No	Hexagon Socket Head Cap Screw, M10-1.5, X25mm Long, Grade 8.8 Steel, Zinc Plated, RoHS Fastener
53	2000-M10-03	8.0	No	Flat Washer, ISO7089, M10, Steel 200HV, Zinc Plated, RoHS Fastener
55	1000-M6C016-04	12.0	No	Hexagon Socket Head Cap Screw, M6-1, X16mm Long, Grade 8.8 Steel, Zinc Plated, RoHS Fastener
57	2000-M6-03	28.0	No	Flat Washer, ISO7089, M6, Steel 200HV, Zinc Plated, RoHS Fastener
58	2203-M6-07	20.0	No	Curved Lock Washer, DIN 128A, M6, Spring Steel, Zinc Plated, RoHS Fastener
61	1000-M6C030-04	8.0	No	Hexagon Socket Head Cap Screw, M6-1, X30mm Long, Grade 8.8 Steel, Zinc Plated, RoHS Fastener
62	1000-M6C025-04	4.0	No	Hexagon Socket Head Cap Screw, M6-1, X25mm Long, Grade 8.8 Steel, Zinc Plated, RoHS Fastener
64	1000-M4C020-04	4.0	No	Hexagon Socket Head Cap Screw, M4-0.7, X20mm Long, Grade 8.8 Steel, Zinc Plated, RoHS Fastener
65	3002-M4C-04	2.0	No	Hexagon Prevailing Torque Nut, ISO7040, M4-0.7, Grade 8 Steel, Zinc Plated, RoHS Fastener
67	HS004804012	90.0	No	FLANGE SOCKET HEAD SCREW M4x12 BLACK
70	5488087	1.0	No	PDAS Rating plate

Table 4-21 PK DAS Detector ASM (5488088 BOM, Rev 8)

MARK	NUMBER	QTY	FRU CODE	DESCRIPTION/NAME
1	5133271	1.0	Yes	Pancake GDAS 16 AD Board Assembly
2	2318808-2	8.0	Yes	CONNECTOR 150-PIN INTERPOSER 0.050 FLEX TO PCB, WITH GUIDE PINS
3	5334861	4.0	No	RETAINER CLIP RoHS
4	5334859	4.0	No	DDIF DUST SHIELD RoHS

Table 4-22 PDAS ADB ASM WITH DDIF (5488016 BOM, rev 2)

Section 3.0 — SL Gantry Assembly-16 Slices, 6.3M Tube (5143716)

FRU = NO

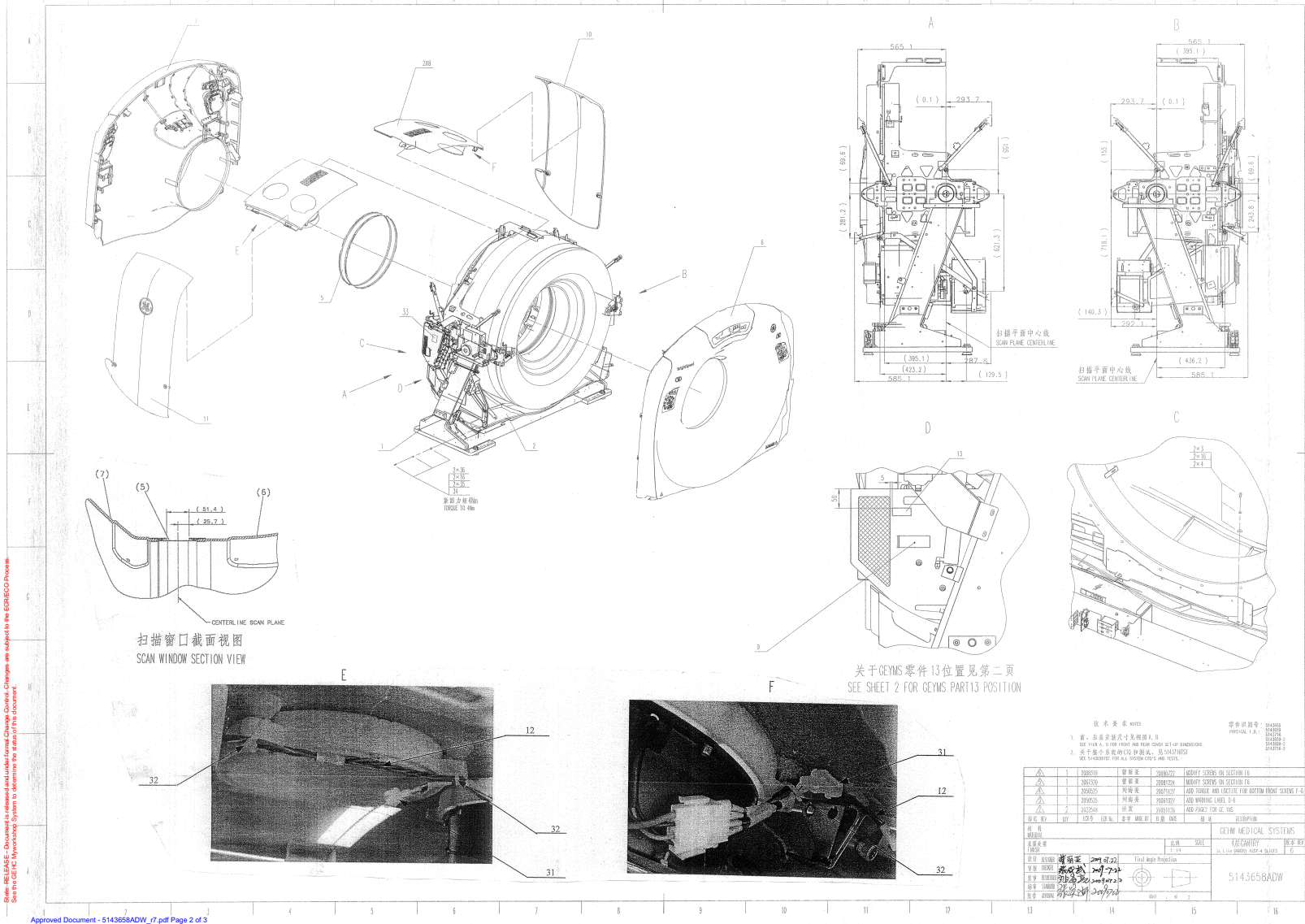
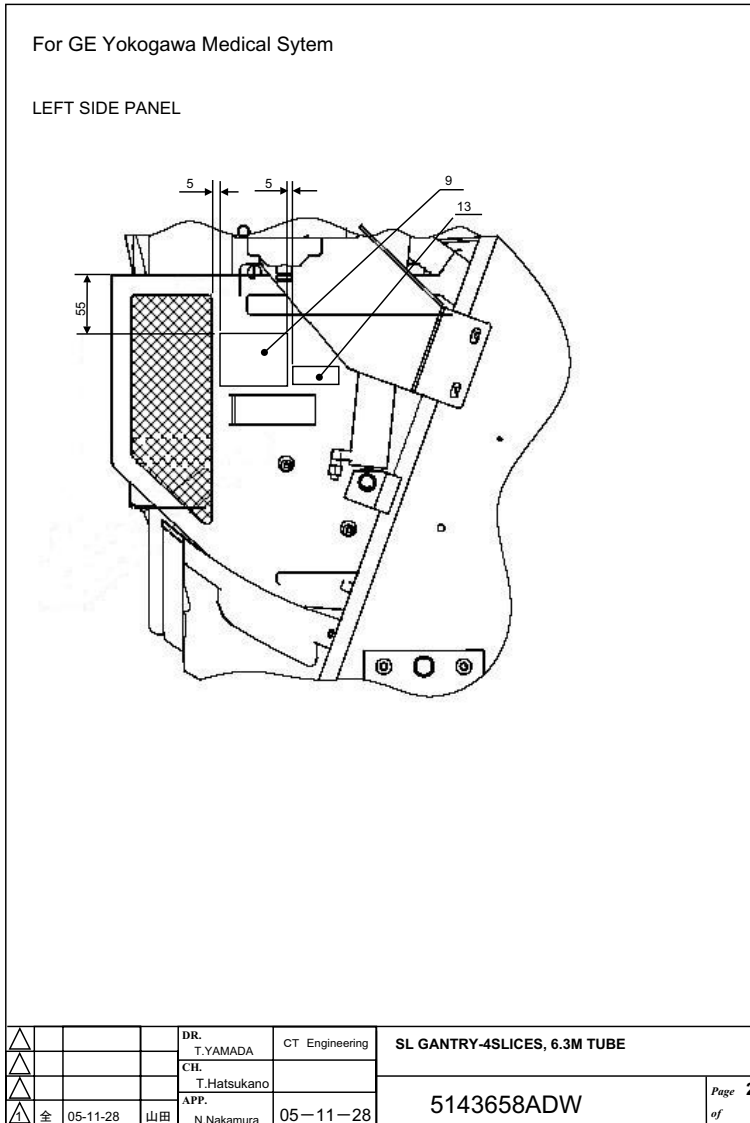


Figure 4-21 SL Gantry Assembly-16 Slices, 6.3M Tube (5143658ADW, sheet 1, rev 7)



State: RELEASE - Document is released and under formal Change Control. Changes are subject to the ECRECO Process. See the GEHC Myworkshop System to determine the status of this document.

Approved Document - 5143658ADW_H.pdf Page 3 of 3

GE Yokogawa Medical Systems

Figure 4-22 SL Gantry Assembly-16 Slices,6.3M Tube (5143658ADW, sheet 2, rev 7)

MARK	NUMBER	QTY	FRU	DESCRIPTION/NAME
2	5248954	1.0	Yes	BSD BOTTOM COVER,PF
3	46-328417P13	2.0	Yes	SCREW HEXAGON SOCKET 6 MM 16 MM ZINC PLATED, STEEL
4	46-328431P2	2.0	Yes	WASHER PLAIN - LARGE 6.4 MM 18 MM ZINC PLATED, STEEL
5	5142849-4	1.0	Yes	ASSEMBLY, SCAN WINDOW, LIGHTSPEED SERIES H2 THRU HP RIM COVERS, WEATHERSTRIP UPDATED MAY 2005 {For further detail, see Section 3.2, beginning on page 382. }
6	5181800	1.0	Yes	SL4-Lite-cover-front-assy {For further detail, see Section 3.3, beginning on page 384. }
7	5144693	1.0	Yes	SL4 cover-assy-rear {For further detail, see Section 3.4, beginning on page 396. }
8	5248955	2.0	Yes	BSD TOP COVER ASSY,PF {For further detail, see Section 3.5, beginning on page 406. }
10	5248950	1.0	Yes	BSD SIDE COVER R ASSY,PF {For further detail, see Section 3.6, beginning on page 408. }
11	5248947	1.0	Yes	BSD SIDE COVER L ASSY,PF {For further detail, see Section 3.7, beginning on page 410. }
16	46-328432P3	4.0	Yes	WASHER LOCK - SPRING 6.1 MM 11.8 MM ZINC PLATED, SPRING STEEL
32	46-208758P3	3.0	Yes	7.31~ X .184~ SELF-LOCKING CABLE TIE 1/16~ TO 1-3/4~ WIRE BUNDLE RANGE. 50LB TENSILE STRENGTH, NYLON MATR~L.
34	46-170686P3	0.0	Yes	LOCTITE 242, 50CC 12 MONTH SHELF LIFE FROM DATE OF SHIPMENT FROM THE MANUFACTURER.
35	2236649-2	2.0	Yes	WASHER, FLAT, ISO7089, M6, ST-HB200
36	46-328417P14	2.0	Yes	SCREW HEXAGON SOCKET 6 MM 20 MM ZINC PLATED, STEEL
1	5144691-3	1.0	No	SL gantry vertical asm, 16 slices, 6.3M Tube {For further detail, see Section 3.1, beginning on page 188. }
9	5161456	1.0	No	BRIGHTSPEED GANTRY RATING PLATE
12	2370486	2.0	No	TOP COVER FAN HARNESS
13	5133936	1.0	No	HINO LABEL-ETL-COMPONENT-MEDICAL-EQUIP
31	U6604FA	2.0	No	CONNECTOR_NEW RECTANGULAR, UN 4 EACH 350779-1
33	5179575	1.0	No	Warning label -No Service area for VCT

Table 4-23 SL Gantry Assembly-16 Slices,6.3M Tube (5143716 BOM, rev 10)

3.1 SL Gantry Vertical Assembly, 16 slices, 6.3M Tube (5144691-3)

FRU = NO

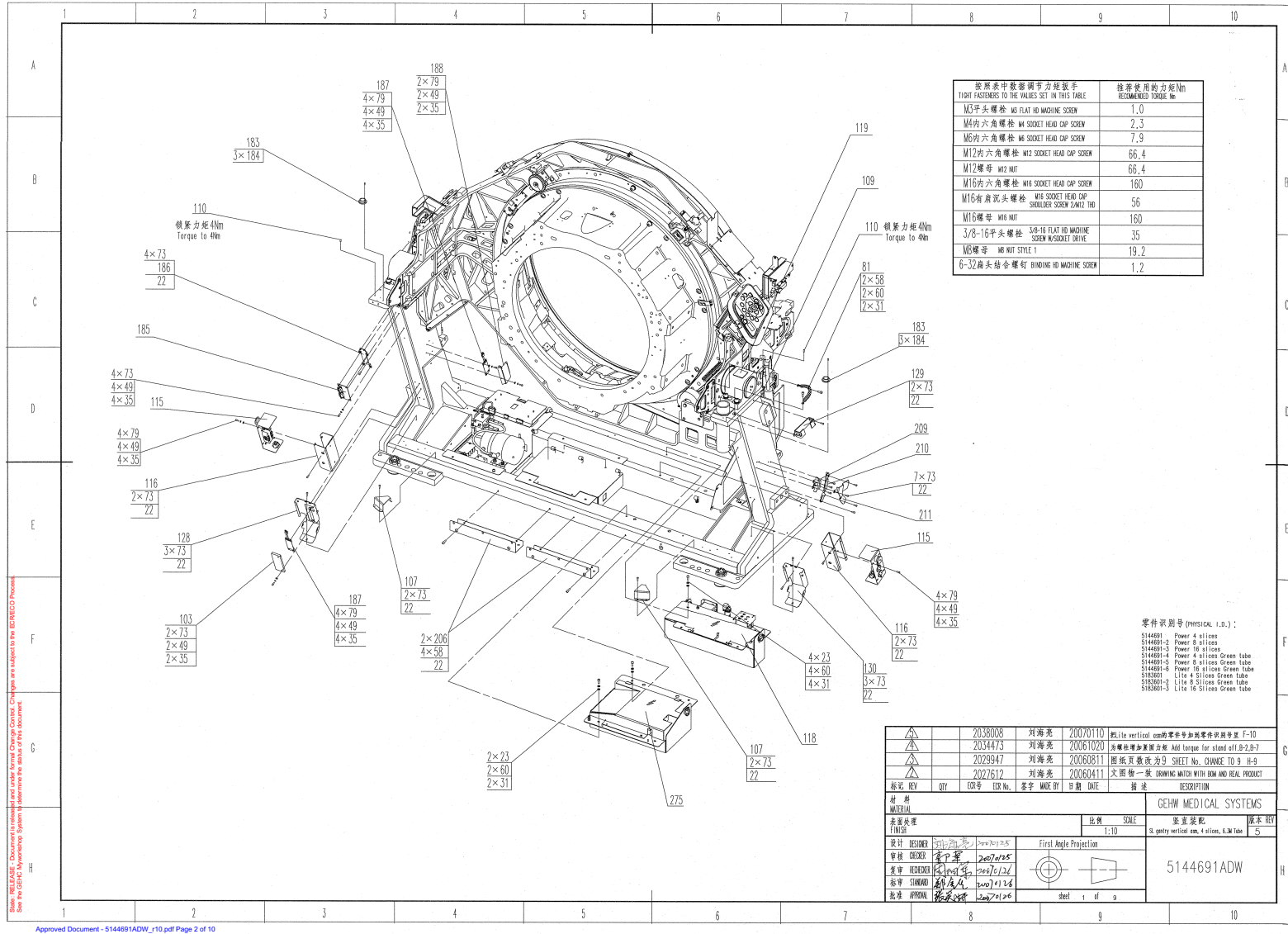


Figure 4-23 SL Gantry Vertical Assembly, 16 slices, 6.3M Tube (5144691ADW, sheet 1, rev 10)

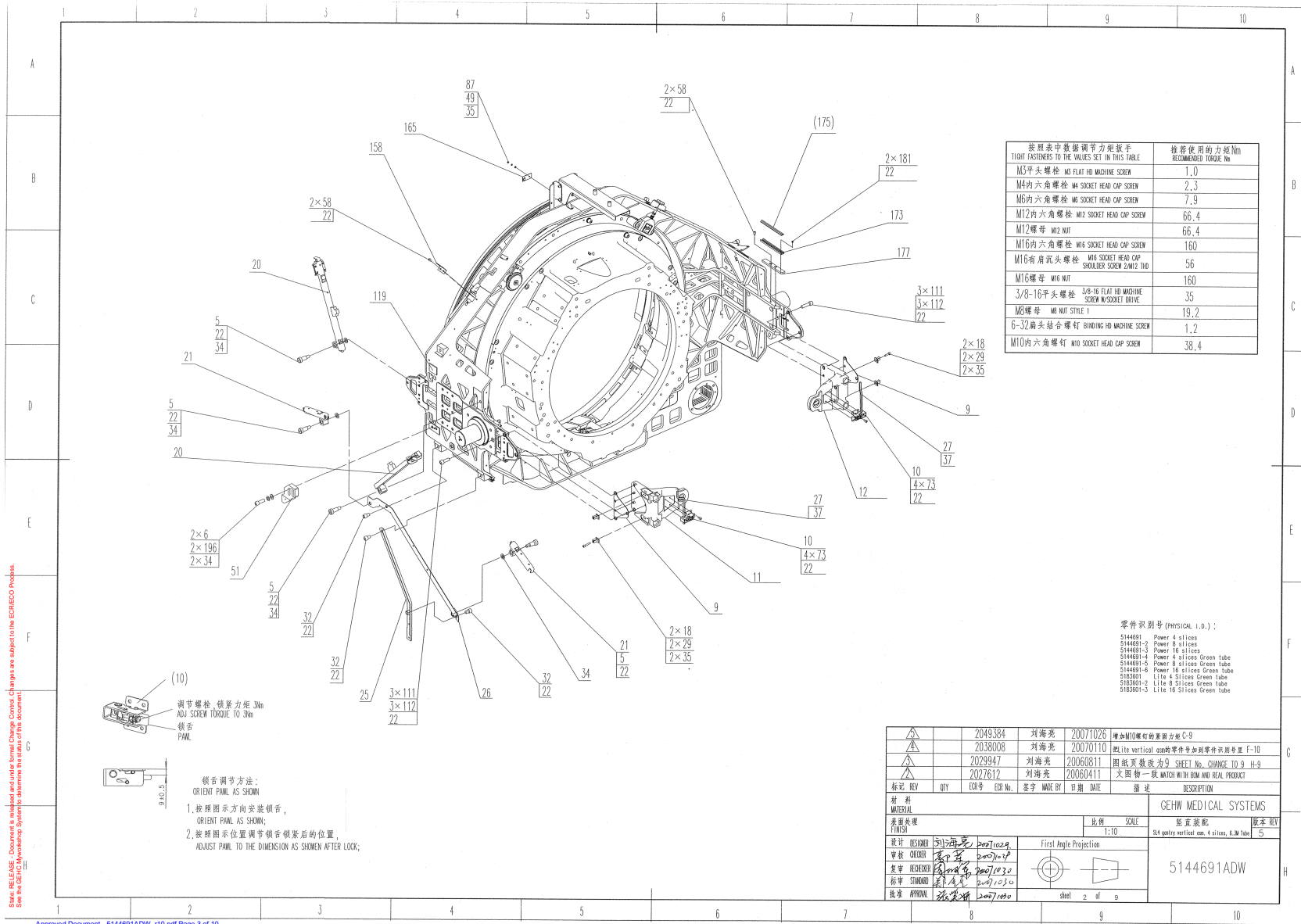


Figure 4-24 SL Gantry Vertical Assembly, 16 slices, 6.3M Tube (5144691ADW, sheet 2, rev 10)

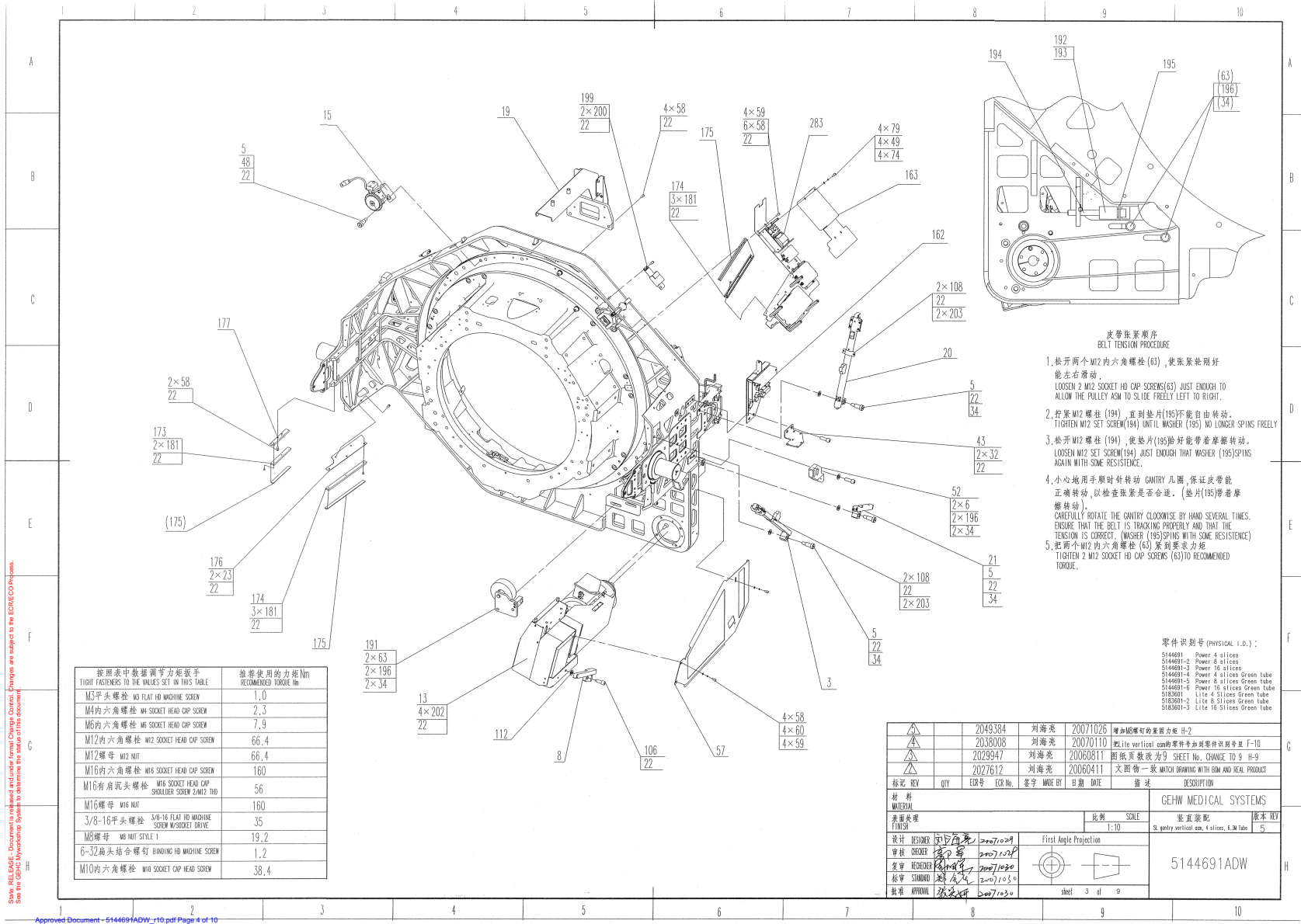


Figure 4-25 SL Gantry Vertical Assembly, 16 slices, 6.3M Tube (5144691ADW, sheet 3, rev 10)

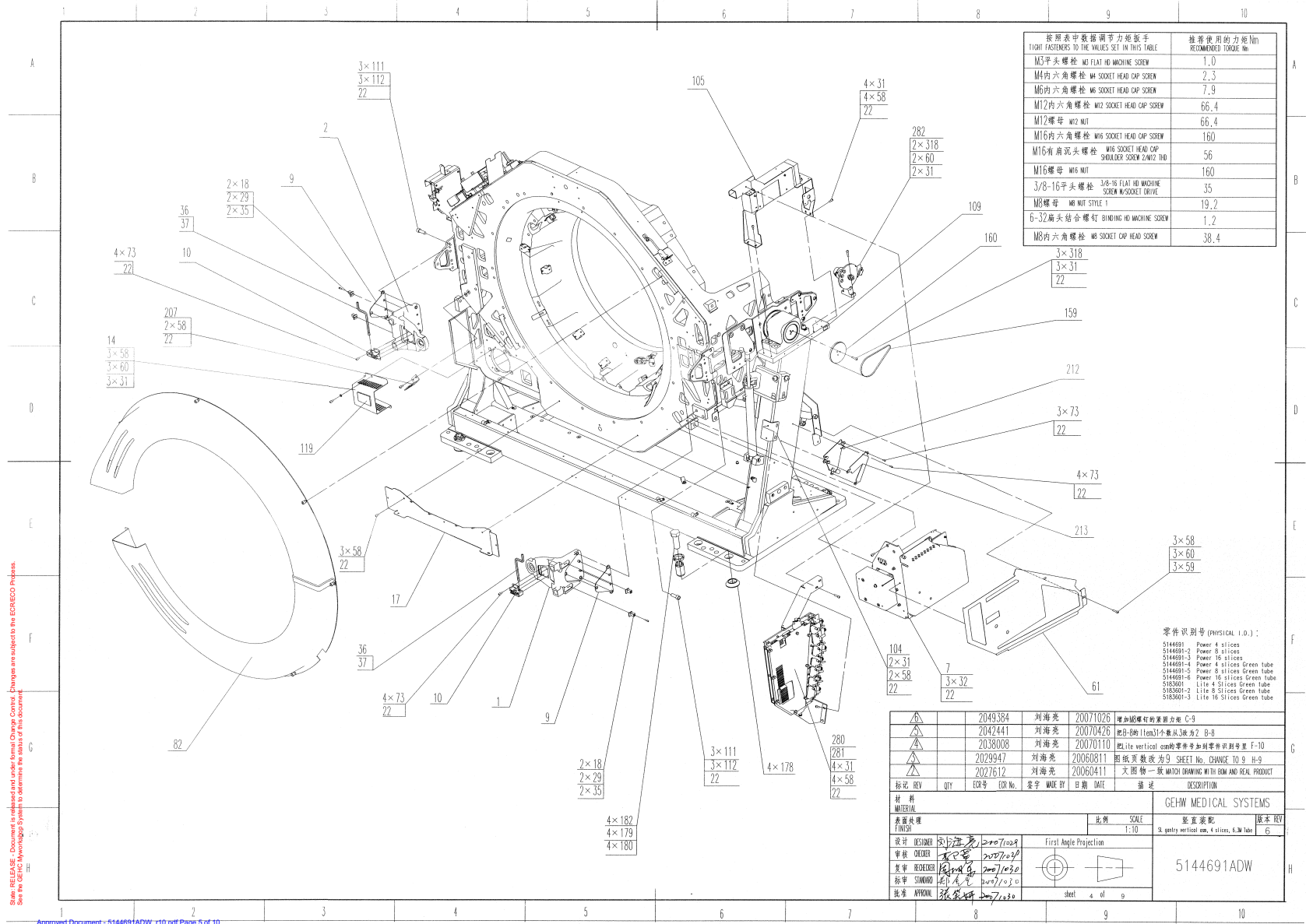


Figure 4-26 SL Gantry Vertical Assembly, 16 slices, 6.3M Tube (5144691ADW, sheet 4, rev 10)

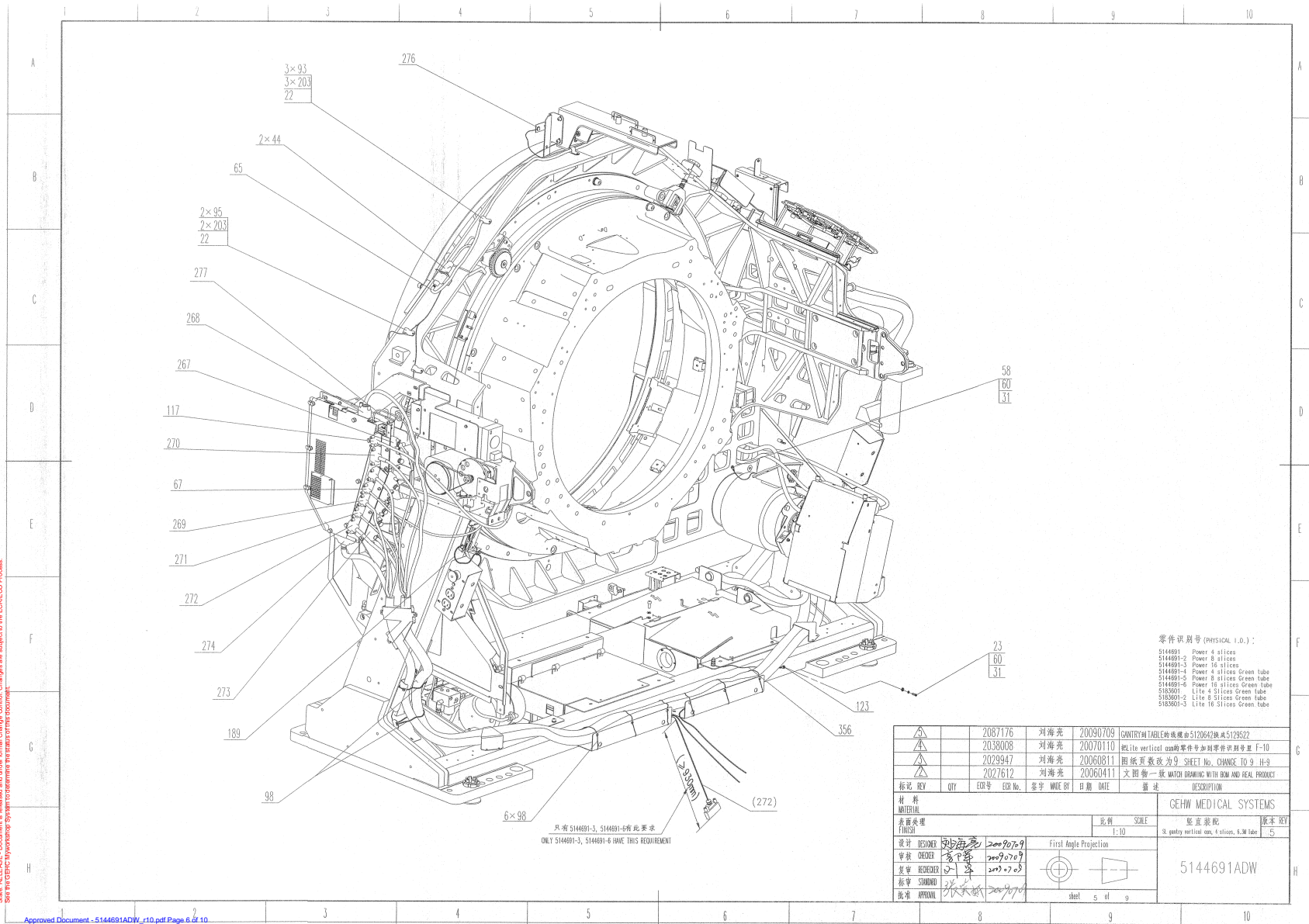


Figure 4-27 SL Gantry Vertical Assembly, 16 slices, 6.3M Tube (5144691ADW, sheet 5, rev 10)

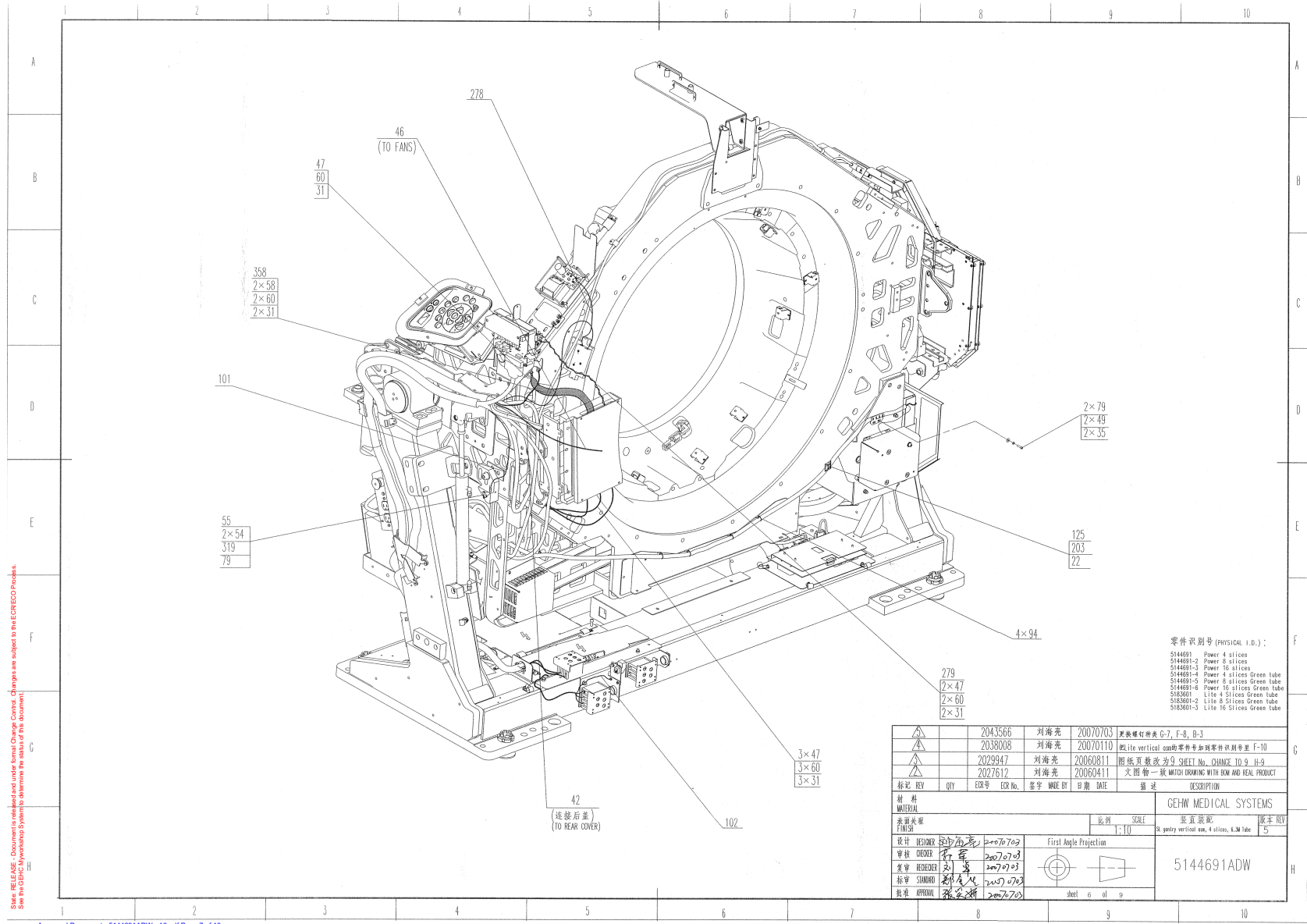


Figure 4-28 SL Gantry Vertical Assembly, 16 slices, 6.3M Tube (5144691ADW, sheet 6, rev 10)

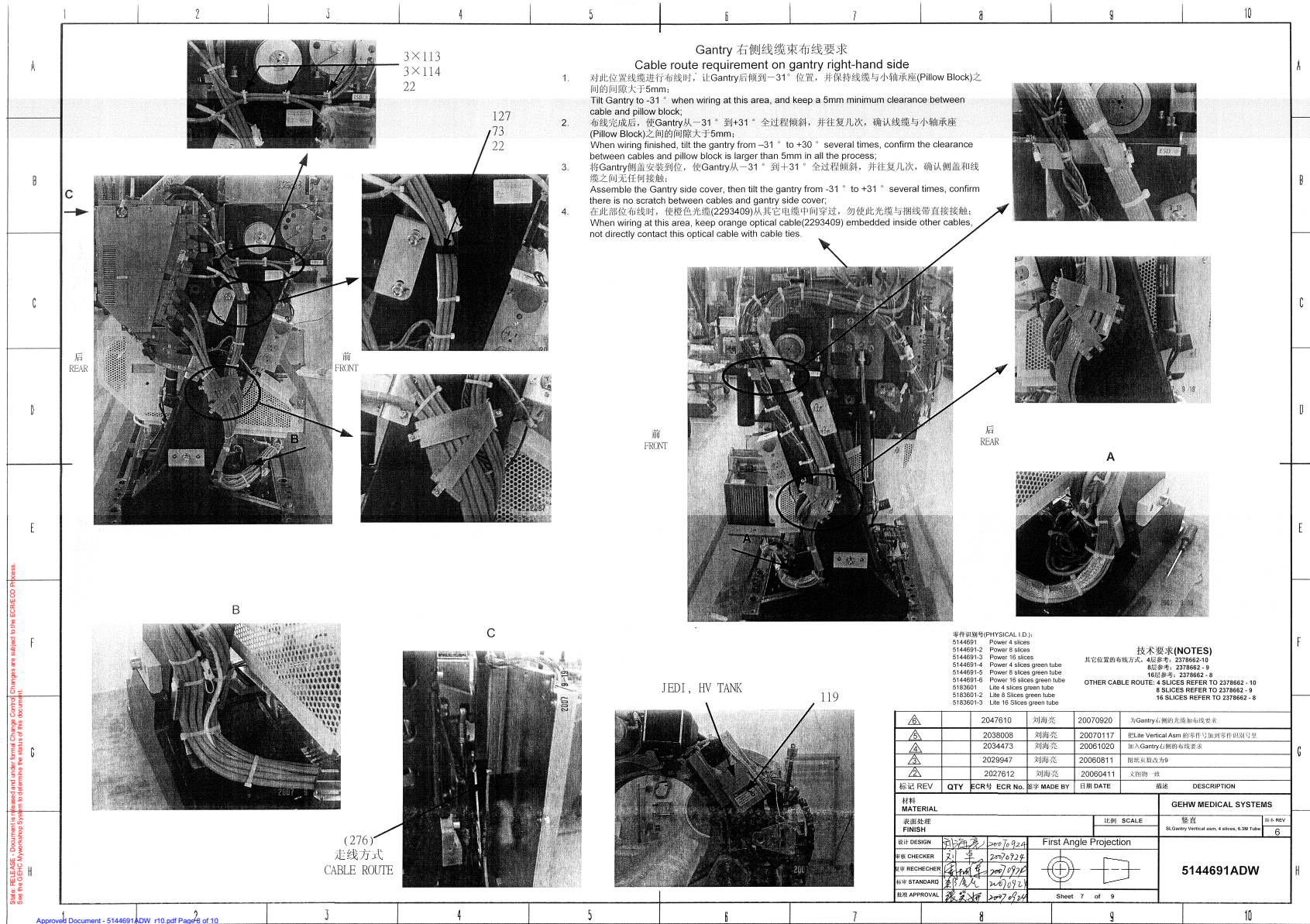


Figure 4-29 SL Gantry Vertical Assembly, 16 slices, 6.3M Tube (5144691ADW, sheet 7, rev 10)

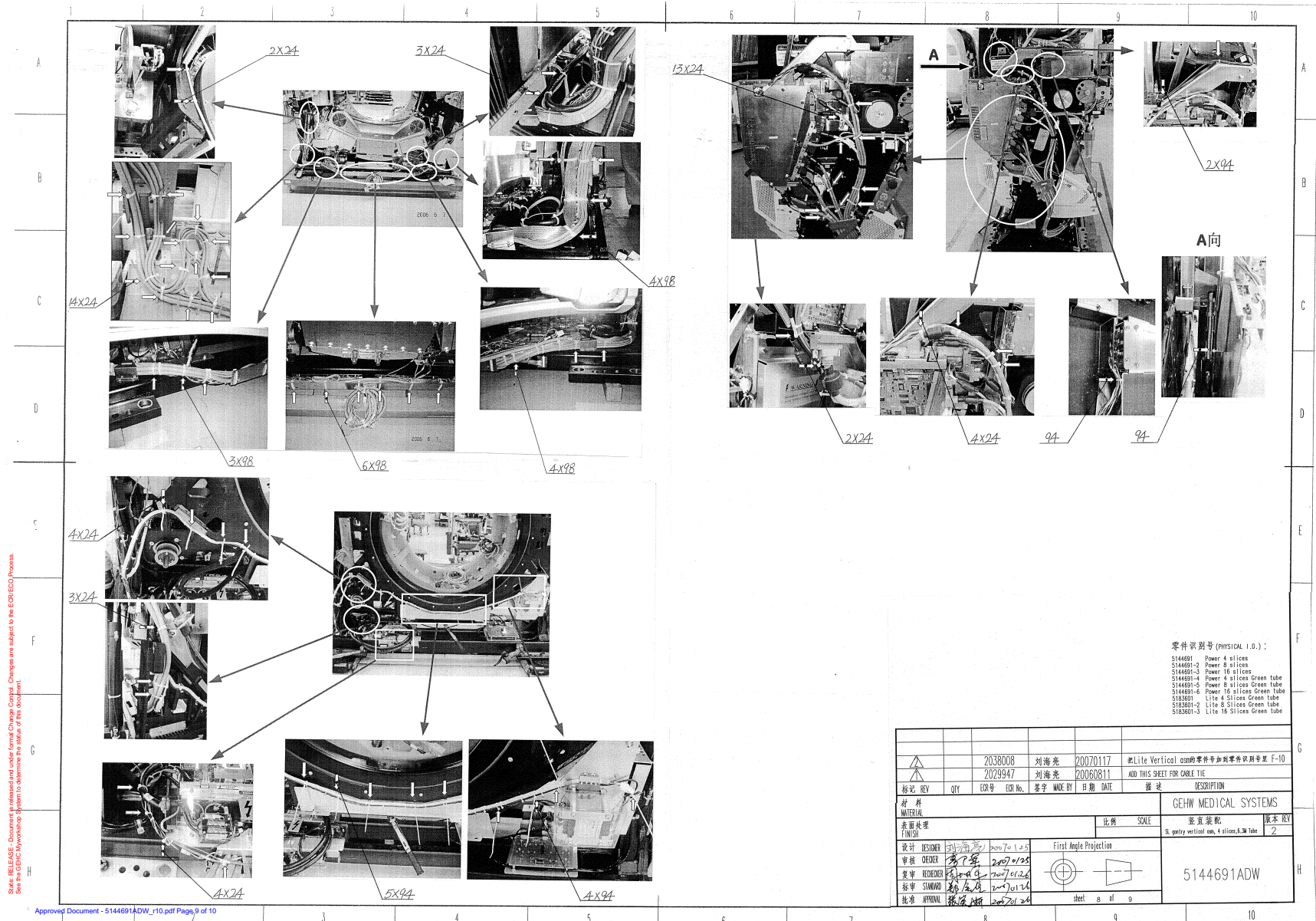


Figure 4-30 SL Gantry Vertical Assembly, 16 slices, 6.3M Tube (5144691ADW, sheet 8, rev 10)

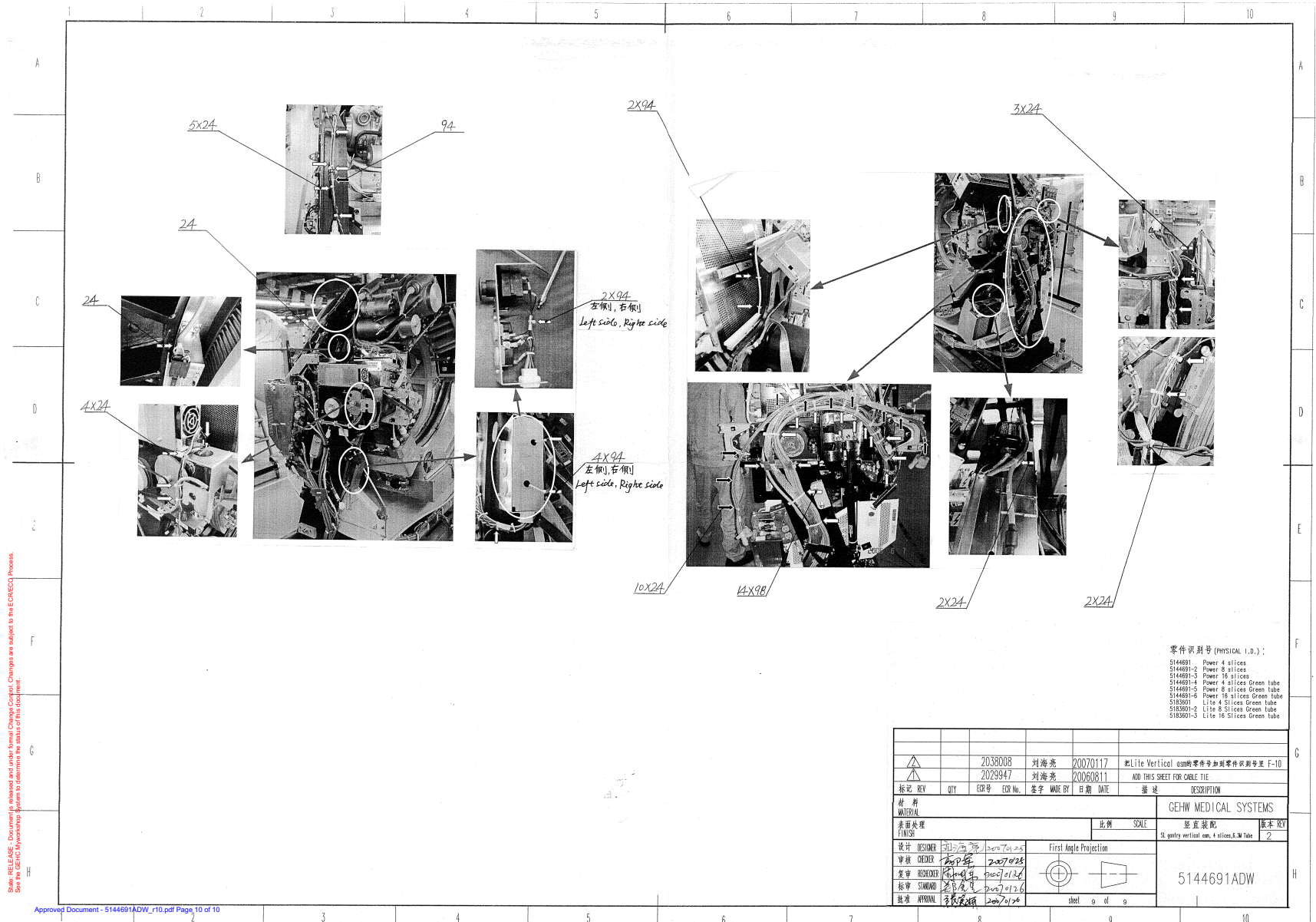


Figure 4-31 SL Gantry Vertical Assembly, 16 slices, 6.3M Tube (5144691ADW, sheet 9, rev 10)

MARK	NUMBER	QTY	FRU	DESCRIPTION/NAME
6	46-328417P67	4.0	Yes	SCREW HEXAGON SOCKET 12 MM 50 MM
7	5165116	1.0	Yes	SL4 Dynamic Brake Module {For further detail, see Section 3.1.2, beginning on page 206. }
10	2278973	4.0	Yes	SOUTHCO REMOTE COMPRESSION LATCH
13	5129732	1.0	Yes	LS4 drive-assy-axial {For further detail, see Section 3.1.3, beginning on page 210. }
15	5182194-2	1.0	Yes	SL4 ENCODER ASM, with-LED, with MD gear {For further detail, see Section 3.1.4, beginning on page 216. }
18	2277655-2	8.0	Yes	LATCH, KEEPER
22	46-170686P3	0.0	Yes	LOCTITE 242, 50CC 12 MONTH SHELF LIFE FROM DATE OF SHIPMENT FROM THE MANUFACTURER.
23	46-328417P13	9.0	Yes	SCREW HEXAGON SOCKET 6 MM 16 MM ZINC PLATED, STEEL
24	46-208758P3	81.0	Yes	7.31~ X .184~ SELF-LOCKING CABLE TIE 1/16~ TO 1-3/4~ WIRE BUNDLE RANGE. 50LB TENSILE STRENGTH, NYLON MATR~L.
27	5160022	2.0	Yes	SL4 HANDLE, COMPRESSION LATCH
29	46-328417P7	8.0	Yes	SCREW HEXAGON SOCKET 4 MM 25 MM ZINC PLATED, STEEL
31	2236649-2	36.0	Yes	WASHER, FLAT, ISO7089, M6, ST-HB200
32	46-328417P62	8.0	Yes	SCREW HEXAGON SOCKET 12 MM 20 MM
34	2236649-5	13.0	Yes	WASHER, FLAT, ISO7089,M12, ST-HB200
35	46-328430P2	35.0	Yes	WASHER PLAIN - NORMAL 4.3 MM 9 MM ZINC PLATED, STEEL
36	2277599	2.0	Yes	HANDLE, COMPRESSION LATCH
42	2271661	1.0	Yes	H2 COVER BREATHING LIGHT CABLE
44	46-221417P4	2.0	Yes	FEMALE SCREWLOCKS FOR HD CONNECTORS. 4-40 THREAD, 0.470 OVERALL LENGTH YELLOW CHROMATE, TWO PER KIT. 0.312 BOTTOM, 0.094 PANEL THK. MAX KIT INCLUDES NUTS AND WASHERS See drawing for approved vendor
46	2344336	1.0	Yes	TILT SIDE AC HARNESS
47	46-328417P11	6.0	Yes	SCREW HEXAGON SOCKET 6 MM 10 MM ZINC PLATED, STEEL
48	46-170623P2	0.0	Yes	BLACK, HEAVY-DUTY LUBRICATING PASTE. (1 PINT CAN) SHELF LIFE, UNDER NORMAL STORAGE CON DITIONS, HAS NO KNOWN LIMITS. (DWG REV 6/92, JFK - OK).

Table 4-24 SL Gantry Vertical Assembly, 16 slices, 6.3M Tube (5144691-3 BOM, rev 16)

MARK	NUMBER	QTY	FRU	DESCRIPTION/NAME
49	46-328432P2	31.0	Yes	WASHER LOCK - SPRING 4.1 MM 7.6 MM ZINC PLATED, SPRING STEEL
54	46-328421P503	2.0	Yes	SCREW PAN HEAD 2 MM 10 MM
55	2303589	1.0	Yes	HARNESS-CT MOBILE TILT INDICATE SWIT
57	5127878	1.0	Yes	SL4 RIGHT SIDE PANEL
58	46-328417P12	50.0	Yes	SCREW HEXAGON SOCKET 6 MM 12 MM ZINC PLATED, STEEL
59	46-328431P2	11.0	Yes	WASHER PLAIN - LARGE 6.4 MM 18 MM ZINC PLATED, STEEL
60	46-328432P3	30.0	Yes	WASHER LOCK - SPRING 6.1 MM 11.8 MM ZINC PLATED, SPRING STEEL
61	5145209	1.0	Yes	SL4 LEFT SIDE PANEL
63	46-328417P64	2.0	Yes	SCREW HEXAGON SOCKET 12 MM 30 MM
65	2333142	1.0	Yes	MSUB -J23 TO ENCODER
67	2333146-2	1.0	Yes	CABLE MSUB-J18 TO BALANCE SENSORS
73	46-328417P2	57.0	Yes	SCREW HEXAGON SOCKET 4 MM 8 MM ZINC PLATED, STEEL
74	46-328431P1	4.0	Yes	WASHER PLAIN - LARGE 4.3 MM 12 MM ZINC PLATED, STEEL
79	46-328417P4	25.0	Yes	SCREW HEXAGON SOCKET 4 MM 12 MM ZINC PLATED, STEEL
87	46-328425P1	1.0	Yes	NUT HEXAGON 4 MM
93	46-208718P5	3.0	Yes	1/2~ ID LOOP TYPE, TA MFG CO TA713D8
94	46-208758P10	62.0	Yes	8.00~ X .094~ SELF-LOCKING CABLE TIE 1/16~ TO 2~ WIRE BUNDLE RANGE. 18LB TENSILE STRENGTH, NYLON MATR~L. SAME AS 46-208758P7 EXCEPT RESTRICT VENDOR TO T&B. TIE MUST BE .094~ WID E. (DWG REV 5/92, JFK - OK).
95	46-208718P3	2.0	Yes	CLAMP, CUSHIONED, ID .375 LOOP TYPE TA MFG CORP TA713D6
98	46-208758P5	33.0	Yes	SELF LOCKING CABLE TIE
101	2303601	1.0	Yes	HARNESS-CT MOBILE TILT INDICATOR
102	2293409	1.0	Yes	CABLE FIBER OPT
108	5126690	4.0	Yes	keeper,slam latch, VCT, symmetric
111	46-328417P25	12.0	Yes	SCREW HEXAGON SOCKET 10 MM 35 MM ZINC PLATED, STEEL
112	2236649-4	13.0	Yes	WASHER, FLAT, ISO7089,M10, ST-HB200
113	U0208AC	3.0	Yes	CLAMP TC-142 TAIRATSUPU KOTEI
114	N9408JS	3.0	Yes	SCREW NABE 4X8 Fe Zn

Table 4-24 SL Gantry Vertical Assembly, 16 slices, 6.3M Tube (5144691-3 BOM, rev 16) (Continued)

MARK	NUMBER	QTY	FRU	DESCRIPTION/NAME
115	5144702	2.0	Yes	SL4 E Service outlet_Estop Asm {For further detail, see Section 3.1.6, beginning on page 224. }
117	2333147-2	1.0	Yes	CABLE MSUB-J7 TO TILT LIMIT SW
118	2387385	1.0	Yes	POWER PAN ASM 550V {For further detail, see Section 3.1.7, beginning on page 226. }
125	46-208718P7	1.0	Yes	CLAMP CUSHIONED ID 0.625 LOOP TYPE TA MFG CORP TA713D10
127	46-325136P1	1.0	Yes	CABLE CLAMP,RICHCO #UMS-16-45,.37 TO 1IN DIA.,RELEASABLE,MOUNTS WITH #8
159	2348298	1.0	Yes	TIMING BELT, 2.03 PITCH X 6 WIDE
165	2326192	1.0	Yes	TEMP SENSOR BOARD
173	2269012	2.0	Yes	ALUMINUM CHANNEL,152MM
174	2269011	2.0	Yes	ALUMINUM CHANNEL, 305MM
175	2269009	2.0	Yes	GANTRY CONTACT SWITCH,2 SEGMENT
176	5135613	1.0	Yes	SL4 CONTACT SWITCH MTG BRKT 305mm LH
179	2106207	4.0	Yes	1 1/2 -12 THDS 2.00 O.D. .25 THK, GANTRY & TABLE INSTALLATION ADJUSTER LOCK RING FOR BASEPLATE-LESS HSA SYSTEMS.
180	2105871	4.0	Yes	GANTRY AND TABLE INSTALLATION LEVELING SCREW FOR BASEPLATE-LESS HSA SYSTEMS.
181	2103580-40	10.0	Yes	SCREW COUNTERSUNK HEX 3 MM 10 MM
182	46-208561P147	4.0	Yes	SCREW SCREW OLD F70BIAR ZINC PL HT TR FOR HYD EMB
185	2354132	1.0	Yes	BALANCE SENSOR BUFFER BOARD
187	2347474	2.0	Yes	PIEZO,H-POWER FIELD BALANCE SENSOR
188	2378301	1.0	Yes	COVER SIDE BALANCE SENSOR
189	2360821	1.0	Yes	HARNESS BALANCE SENSORS TO BUFFER BD
191	2217943	1.0	Yes	IDLER ASM WITH MTG PLATE FOR H2 GANT {For further detail, see Section 3.1.9, beginning on page 232. }
193	46-297391P1	1.0	Yes	SPRING
196	46-328432P7	6.0	Yes	WASHER LOCK - SPRING 12.2 MM 21.1 MM
199	2366242	1.0	Yes	COVER, POSITION LOCK SAFETY
200	2109872-3	2.0	Yes	SCREW BUTTON HEAD 4 MM 12 MM

Table 4-24 SL Gantry Vertical Assembly, 16 slices, 6.3M Tube (5144691-3 BOM, rev 16) (Continued)

MARK	NUMBER	QTY	FRU	DESCRIPTION/NAME
202	46-208562P8	4.0	Yes	SCREW 3/8X16X1~ FLAT HEAD STL F70B5A2 ZINC PL HT TR FOR HYD EMB
203	46-328417P3	10.0	Yes	SCREW HEXAGON SOCKET 4 MM 10 MM ZINC PLATED, STEEL
267	5120636	1.0	Yes	Harness - TGP J8 to Slipring J7 - EMC Edition2
268	5120637	1.0	Yes	Harness - TGP J11 to Covers - EMC Edition2
269	5120639	1.0	Yes	Cable - Gantry to MSUB J21 - EMC Edition 2
270	5120640	1.0	Yes	Harness - MSUB J8 to Covers - EMC Edition 2
271	5120641	1.0	Yes	Cable - MSUB J26 to Table Foot Switch - EMC Edition 2
272	5129522	1.0	Yes	Cable - Table to TGPU - J28
273	5120643	1.0	Yes	Cable - Service Board to MSUB J30 - EMC Edition 2
274	5120644	1.0	Yes	Cable - Ax Drive to MSUB J29 - EMC Edition 2
275	5272458	1.0	Yes	BSD 120V PowerPan with PET and GOP outlet added, and 5 CBs {For further detail, see Section 3.1.10, beginning on page 234. }
276	5120648	1.0	Yes	Cable - Thermal Sensor to MSUB J24 - EMC Edition 2
277	5120649	1.0	Yes	Cable TGP J5 to Power Pan - EMC Edition 2
278	5120656	1.0	Yes	Harness - Receiver Power - EMC Edition 2
279	5120662	1.0	Yes	Harness - Slip Ring Power
282	2356863-3	1.0	Yes	SL4 GANTRY TILT FEEDBACK ASSEMBLY, EMC ED2 {For further detail, see Section 3.1.12, beginning on page 240. }
318	46-328417P15	5.0	Yes	SCREW HEXAGON SOCKET 6 MM 25 MM ZINC PLATED, STEEL
319	46-208759P1	1.0	Yes	7.81~ X .184~ SELF-LOCKING CABLE TIE 1/16~ X 1-3/4~ WIRE BUNDLE RANGE. 50 LBS TENSILE STRENGTH, NAT. NYLON. (#10 SCREW MOUNTING HOLE SIZE) MAT~L: NYLON 6/6 PER MIL-N-20693 AND ASTM D4066 STOCK #: 08415 - NATURAL, TYPE I
1	5146051-2	1.0	No	SL4 BRKT, REAR COVER MOUNTING
2	5146051-3	1.0	No	SL4 BRKT, REAR COVER MOUNTING-SLOT
3	5159052	1.0	No	SL4 BRACE ASSY UPPER RIGHT FRONT {For further detail, see Section 3.1.1, beginning on page 204. }
4	2284884	2.0	No	VXWORKS 5.4 LICENCE
5	46-328419P16	8.0	No	SCREW HEXAGON SOCKET 16 MM 30 MM
8	5144706	1.0	No	SL4 BRACE ASSY LOWER-FRT

Table 4-24 SL Gantry Vertical Assembly, 16 slices, 6.3M Tube (5144691-3 BOM, rev 16) (Continued)

MARK	NUMBER	QTY	FRU	DESCRIPTION/NAME
9	2356044	4.0	No	SPACER, H4 FRONT/REAR COVER MOUNT
11	5131855-2	1.0	No	SL4 BRKT, FRT COVER MOUNTING
12	5131855-3	1.0	No	SL4 BRKT, FRT COVER MOUNT-SOLT
14	2371025	1.0	No	COVER-AXIAL DRIVE PULLEY
17	2355451	1.0	No	PLATE, BOTTOM COVER MOUNTING
19	5144761	1.0	No	SL4 top cover support
20	5144708	3.0	No	SL4 brace assy upper
21	5144707	3.0	No	SL4 brace assy lower-rear
25	5127877	1.0	No	SL4 VERT ANGLE LEFT
26	5147182	1.0	No	SL4 DIAGONAL BRACE
37	2277430	4.0	No	E-RING, BOWED RETAINING RING
43	2358591	1.0	No	UPPER CABLE SUPPORT - RIGHT SIDE
51	5127875	1.0	No	SL4 LEFT BLOCK TILT STOP
52	5127876	1.0	No	SL4 RIGHT BLOCK TILT STOP
81	2275840-2	1.0	No	GROUND - BRAID - STATIONARY BASE TO TILTING BASE
82	5269400-2	1.0	No	Slip Ring Collector, Dual Shield, BrightSpeed
103	2378300	1.0	No	COVER FRONT BALANCE SENSOR
104	5144766	1.0	No	SL4 TGPU SUPPORT BRKT
105	5144703	1.0	No	SL4 TGPU_PS_ASM {For further detail, see Section 3.1.5, beginning on page 220. }
106	46-328419P20	1.0	No	SCREW HEXAGON SOCKET 12 MM 16 MM
107	5145210	2.0	No	SL4 CABLE CLAMP STA BASE
109	5129788	2.0	No	label,ESD ground,VCT gantry
110	5129536	2.0	No	8MM HEX MALE-FEMALE STANDOFF, M5X20 LONG - CLEAR ZINC PLATED
116	5129312	2.0	No	SL4 BOX ESTOP OUTLET
119	5169843	4.0	No	Label, WARNING, Gantry Rotation, Pinch Point
123	2275854-4	1.0	No	GROUND - HP STATION BASE TO RACEWAY
128	5135599	1.0	No	SL4 CABLE TROUGH UPLEFT LOWER

Table 4-24 SL Gantry Vertical Assembly, 16 slices, 6.3M Tube (5144691-3 BOM, rev 16) (Continued)

MARK	NUMBER	QTY	FRU	DESCRIPTION/NAME
129	5145212	1.0	No	SL4 CABLE CLAMP STA UPPER
130	5135600	1.0	No	SL4 CABLE TROUGH UPRIGHT LOWER
158	2360255	1.0	No	BRACKET
160	5129241	1.0	No	SL4 PULLEY 150 TEETH
162	5149731	1.0	No	SL4 SERVICE BOARD BRKT ASM {For further detail, see Section 3.1.8, beginning on page 230. }
163	5145812	1.0	No	SL4 COVER FILTER
177	5127874	2.0	No	SL4 PILLOW
178	2105872-2	4.0	No	LEVELING PAD LEVELING PAD FOR BASEPLATE-LESS HSA SYSTEM.
183	2266016	2.0	No	BULLS-EYE BUBBLE,.4 DEG/DIV SENSITIV
184	46-328417P56	6.0	No	SCREW HEXAGON SOCKET 2.5 MM 8 MM
186	5145213	1.0	No	SL4 SENSOR BOARD BRKT
192	5191734	1.0	No	Spring holder cylinder for VCT
194	46-328424P37	1.0	No	SCREW SET SCREW 12 MM 80 MM
195	2236649-7	1.0	No	WASHER, FLAT, ISO7089,M20, ST-HB200
206	2371021	2.0	No	BRKT,CABLE TROUGH,STAT BASE,FRT,HPOW
207	2355138	1.0	No	SHIELD GROUND BKT FOR HVDC CABLE
209	5159048	1.0	No	SL4 SIDE CABLE CLAMP RIGHT 1
210	5159517	1.0	No	SL4 SIDE CABLE CLAMP RIGHT 2
211	5159049	1.0	No	SL4 SIDE CABLE CLAMP R COVER
212	5159050	1.0	No	SL4 CABLE CLAMP LEFT
213	5159051	1.0	No	SL4 CABLE CLAMP LEFT COVR
280	5144705	1.0	No	SL4-TGPU-ASM {For further detail, see Section 3.1.11, beginning on page 238. }
281	5145216	1.0	No	SL4 TGPU PAN COVER
283	5149732	1.0	No	SL4 SLIPRING PLATE ASM {For further detail, see Section 3.1.13, beginning on page 242. }
356	2275840-9	1.0	No	ground - braid - power pan to tilting base
358	2275840-11	1.0	No	ground - braid - slipring j5 to tilting base

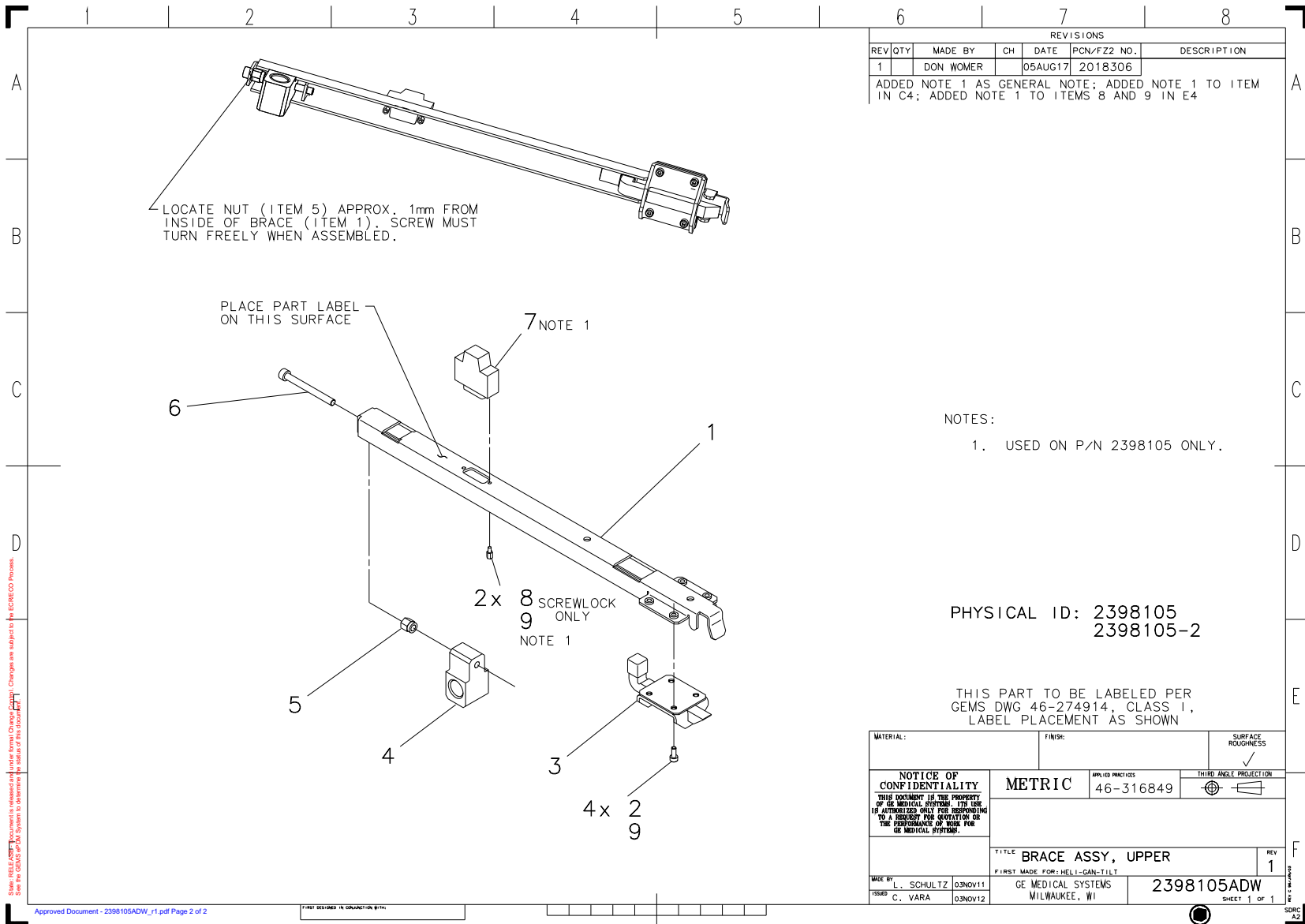
Table 4-24 SL Gantry Vertical Assembly, 16 slices, 6.3M Tube (5144691-3 BOM, rev 16) (Continued)

MARK	NUMBER	QTY	FRU	DESCRIPTION/NAME
368	5144701-3	1.0	No	SL gantry horizontal asm-16 slices, 6.3M tube {For further detail, see Section 3.1.14, beginning on page 246. }

Table 4-24 SL Gantry Vertical Assembly, 16 slices, 6.3M Tube (5144691-3 BOM, rev 16) (Continued)

3.1.1 SL4 Brace Assembly Upper Rightl Front (5159052)

FRU = NO



REVISIONS						
REV	QTY	MADE BY	CH	DATE	PCN/FZ2 NO.	DESCRIPTION
1		DON WOMER		05AUG17	2018306	ADDED NOTE 1 AS GENERAL NOTE; ADDED NOTE 1 TO ITEM IN C4; ADDED NOTE 1 TO ITEMS 8 AND 9 IN E4

NOTES:
1. USED ON P/N 2398105 ONLY.

PHYSICAL ID: 2398105
2398105-2

THIS PART TO BE LABELED PER
GEMS DWG 46-274914, CLASS 1,
LABEL PLACEMENT AS SHOWN

MATERIAL:	FINISH:	SURFACE ROUGHNESS ✓	
NOTICE OF CONFIDENTIALITY <small>THIS DOCUMENT IS THE PROPERTY OF GE MEDICAL SYSTEMS. ITS USE IS AUTHORIZED ONLY FOR RESPONDING TO A REQUEST FOR QUOTATION OR THE PERFORMANCE OF WORK FOR GE MEDICAL SYSTEMS.</small>		METRIC	APPLIED PRACTICES 46-316849
		THIRD ANGLE PROJECTION	
TITLE BRACE ASSY, UPPER		REV 1	
FIRST MADE FOR: HELL-GAN-TILT			
MADE BY L. SCHULTZ 03NOV11	GE MEDICAL SYSTEMS MILWAUKEE, WI	2398105ADW	
ISSUED C. VARA 03NOV12		SHEET 1 OF 1	

Figure 4-32 SL4 Brace Assembly Upper Rightl Front (2398105ADW, sheet 1, rev 1)

MARK	NUMBER	QTY	FRU	DESCRIPTION/NAME
2	46-328417P3	4.0	Yes	SCREW HEXAGON SOCKET 4 MM 10 MM ZINC PLATED, STEEL
5	46-328428P2	1.0	Yes	NUT HEXAGON 6 MM ZINC PLATED, STEEL
8	46-221417P5	1.0	Yes	FEMALE SCREWLOCKS FOR HD CONNECTORS. 4-40 THREAD, 0.438 OVERALL LENGTH YELLOW CHROMATE, TWO PER KIT. 0.250 BOTTOM, 0.062 PANEL THK. MAX. KIT INCLUDES NUTS AND WASHERS
9	46-170686P3	0.0	Yes	LOCTITE 242, 50CC 12 MONTH SHELF LIFE FROM DATE OF SHIPMENT FROM THE MANUFACTURER.
1	5159099	1.0	No	SL4 BRACE UPPER RIGHT-FRT
3	2275369	1.0	No	LATCH, SLAM
4	2258072	1.0	No	H2 GANTRY COVER LATCH PIVOT
6	2277656	1.0	No	SCREW, HEX SOC CAP FULL LGTH THREAD DIN912 12.9 BN7 M6 X 60
7	2275843	1.0	No	FRONT/REAR COVER TERMINATOR

Figure 4-33 SL4 Brace Assembly Upper Rightl Front (5159052 BOM, rev 1)

3.1.2 SL4 Dynamic Brake Module (5165116)

FRU = YES

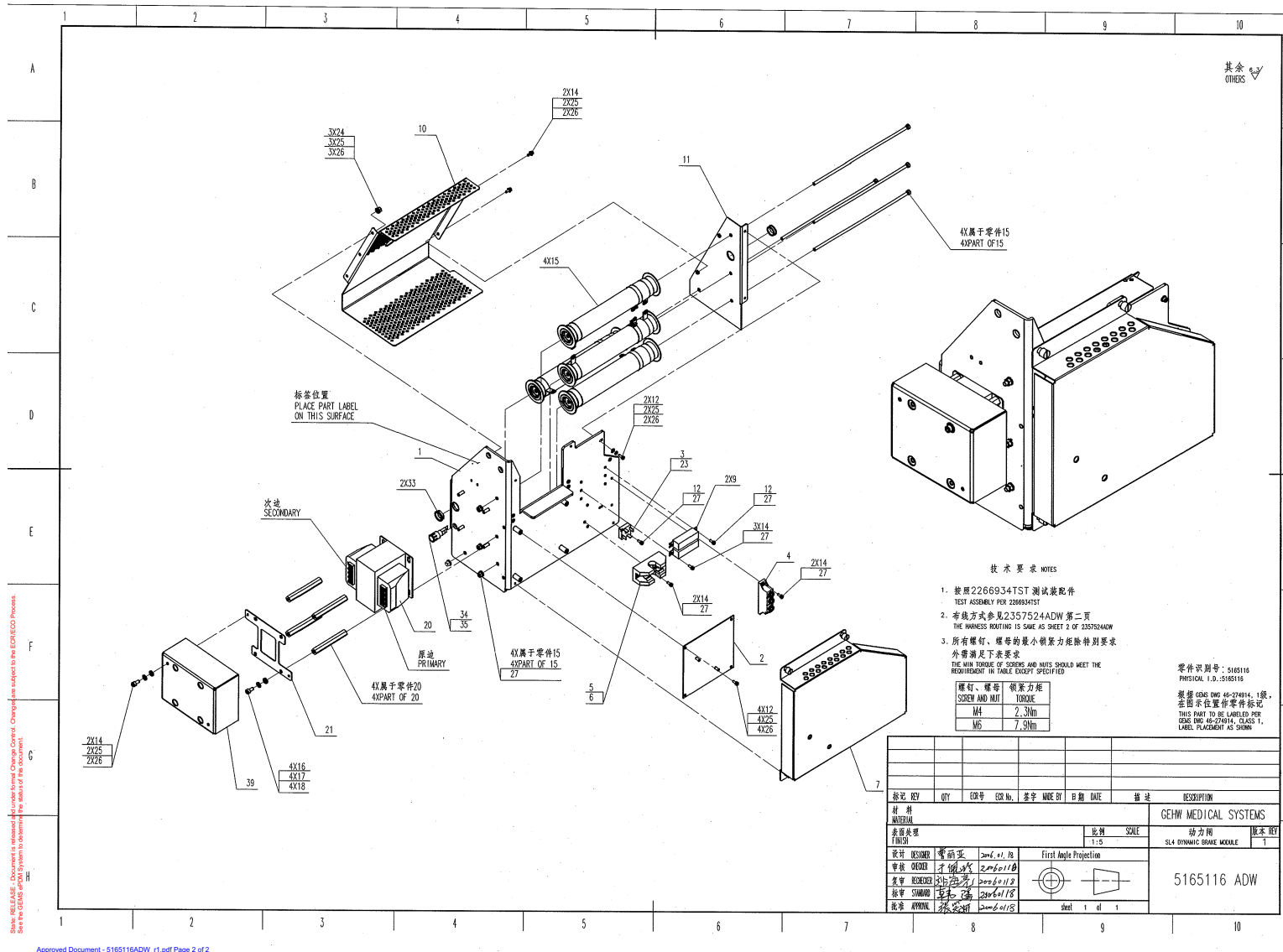


Figure 4-34 SL4 Dynamic Brake Module (5165116ADW, sheet 1, rev 1)

MARK	NUMBER	QTY	FRU	DESCRIPTION/NAME
2	2337227	1.0	Yes	DYNAMIC BRAKE BOARD
3	2147062	1.0	Yes	SEMICONDUCTOR:DIODE GENERAL PURPOSE SINGLE PHASE DIODE BRIDGE 1200V 25A
4	2185251	1.0	Yes	SCR 1200V, 27A, CHASSIS MOUNTING TEMP. RANGE IS -40 TO +125 DEG.C AND COMES IN A TO-240AA PACKAGE
5	2185277	1.0	Yes	1-30A, 600V, 1P, FOR 9/16 X 2~ FUSE BUSSMAN 1976-1
6	46-170021P101	1.0	Yes	FUSE 20 AMPS 700 VOLTS 2~ LONG X 9/16~ DIA FAST BLOW
12	46-328417P5	8.0	Yes	SCREW HEXAGON SOCKET 4 MM 16 MM ZINC PLATED, STEEL
13	46-328425P2	10.0	Yes	NUT HEXAGON 6 MM
14	46-328417P3	11.0	Yes	SCREW HEXAGON SOCKET 4 MM 10 MM ZINC PLATED, STEEL
15	2184701-2	4.0	Yes	RESISTOR 50 OHMS 10 % 5000m WATTS ADJUSTABLE RIBWOUND RESISTOR WITH VERTICAL MOUNTING HARDWARE
16	46-328430P3	14.0	Yes	WASHER PLAIN - NORMAL 6.4 MM 12 MM ZINC PLATED, STEEL
17	46-328432P3	14.0	Yes	WASHER LOCK - SPRING 6.1 MM 11.8 MM ZINC PLATED, SPRING STEEL
18	46-328417P12	14.0	Yes	SCREW HEXAGON SOCKET 6 MM 12 MM ZINC PLATED, STEEL
20	2354743	1.0	Yes	STEP UP TRANSFORMER WITH 97,75MM STANDOFF {For further detail, see Section 3.1.2.1, beginning on page 209. }
23	46-170212P1	0.0	Yes	WAKEFIELD #120-2 JOINT CMPOUND SILICONE, THERMAL JOINT COMPOUND OPAQUE WHITE GREASE, 2 OZ. JAR
24	46-328425P1	4.0	Yes	NUT HEXAGON 4 MM
25	46-328430P2	13.0	Yes	WASHER PLAIN - NORMAL 4.3 MM 9 MM ZINC PLATED, STEEL
26	46-328432P2	13.0	Yes	WASHER LOCK - SPRING 4.1 MM 7.6 MM ZINC PLATED, SPRING STEEL
27	46-170686P3	0.0	Yes	LOCTITE 242, 50CC 12 MONTH SHELF LIFE FROM DATE OF SHIPMENT FROM THE MANUFACTURER.
29	2222151	1.0	Yes	HEMRC SCR GATE HARNESS
30	2364618	1.0	Yes	DYNAMIC BRAKE MAIN HARNESS
32	46-208758P2	3.0	Yes	5.5~ X .140~ SELF-LOCKING CABLE TIE. 1/16~ TO 1-1/4~ WIRE BUNDLE RANGE. 30LB TENSILE STRENGTH, NYLON MATR~L.

Table 4-25 SL4 Dynamic Brake Module (5165116 BOM, rev 3)

MARK	NUMBER	QTY	FRU	DESCRIPTION/NAME
34	46-170042P26	1.0	Yes	12A/250V PANEL-MOUNT FUSEHOLDER. DE- RATED FROM 20A PER MFG'R. FOR 0.25~X 1.25~ 3AG FUSE. 1/4~ Q.C. TERM, LOCK WASHER INCL. SAME AS 46-170042P12 EXCEPT FOR TERMINALS. (DWG REV 11/91 JFK).
35	46-170021P106	1.0	Yes	FUSE 8 AMPS 250 VOLTS BUSSMANN ONLY
37	2364617	1.0	Yes	HARNESS - DYNAMIC BRAKE AC INPUT
38	2364616	1.0	Yes	DYNAMIC BRAKE POWER RESISTOR HARNESS
40	46-208759P5	2.0	Yes	6.00~ X .140~ SELF-LOCKING CABLE TIE 1/16~ TO 1-1/8~ WIRE BUNDLE RANGE. 40 LBS TENSILE STRENGTH, NAT. NYLON. (#8 SCREW MOUNTING HOLE SIZE) MOUNTING HOLE FOR #8 SCREW. (DWG REV 4/92, JFK - OK).
1	5118576	1.0	No	bracket,axial dynamic brake asm
7	2358116	1.0	No	CVR HEMRC I/F BD W/CVR MNT HLS HPWR
9	2365905	2.0	No	POWER RESISTOR 7500 OHM, 40 WATT
10	5164704	1.0	No	SL4 Dynamic Brake Resistor Cover
11	5164756	1.0	No	SL4 Dynamic Resistor MTG Bracket
21	2265652	1.0	No	380 VAC TRANSFORMER MTG PLATE
33	2272992-16	2.0	No	SHORT 19,0 ID FOR 22,2 DIA HOLE
39	5313771	1.0	No	cover,dynamic brake transformer-KH

Table 4-25 SL4 Dynamic Brake Module (5165116 BOM, rev 3) (Continued)

3.1.2.1 Step Up Transormer with 97,75MM StandOff (2354743)

FRU = YES

MARK	NUMBER	QTY	FRU	DESCRIPTION/NAME
2	2144757-2	4.0	Yes	14,3 HEX X 97,75 LG M6 THD BOTH ENDS
1	2150802	1.0	No	HEMRC/STEP UP COIL TRANSFORMER/ 303B947AAP10225

Table 4-26 Step Up Transormer with 97,75MM StandOff (2354743 BOM, rev 1)

3.1.3 LS4 Drive-Assembly-Axial (5129732)

FRU = YES

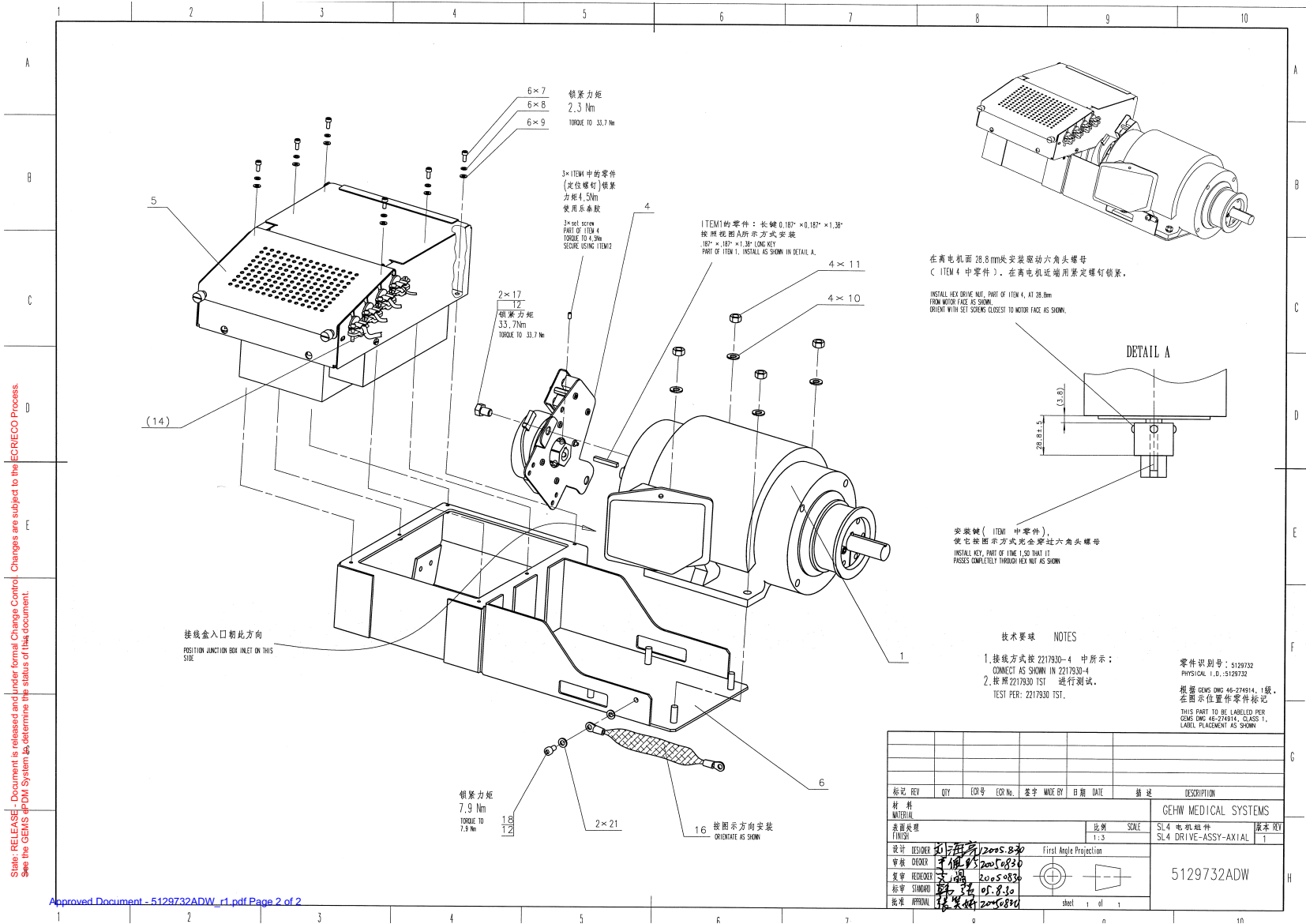


Figure 4-35 LS4 Drive-Assembly-Axial (5129732ADW, sheet 1, rev 1)

MARK	NUMBER	QTY	FRU	DESCRIPTION/NAME
1	2235342-2	1.0	Yes	AXIAL MOTOR W/ SPROCKET, H2 GANTRY
4	2277225	1.0	Yes	BRAKE ASSY, H2 AX DRIVE MOTOR {For further detail, see Section 3.1.3.1, beginning on page 212. }
5	5129738	1.0	Yes	LS4 motor controller-assy {For further detail, see Section 3.1.3.2, beginning on page 214. }
7	46-328417P3	6.0	Yes	SCREW HEXAGON SOCKET 4 MM 10 MM ZINC PLATED, STEEL
8	46-328432P2	6.0	Yes	WASHER LOCK - SPRING 4.1 MM 7.6 MM ZINC PLATED, SPRING STEEL
9	46-328430P2	6.0	Yes	WASHER PLAIN - NORMAL 4.3 MM 9 MM ZINC PLATED, STEEL
11	46-311805P4	4.0	Yes	M8 ZP DIN HELICAL LOCK WASHER
12	46-170686P3	0.0	Yes	LOCTITE 242, 50CC 12 MONTH SHELF LIFE FROM DATE OF SHIPMENT FROM THE MANUFACTURER.
14	2390437	1.0	Yes	AXIAL DRIVE TO DYNAMIC BRAKE
16	2275840-3	1.0	Yes	GROUND - BRAID - AXIAL DRIVE TO TILTING BASE
17	46-208561P36	2.0	Yes	SCREW__3/8 HEX HD BOLT SCREW OLD 5 F70B5A2 ZINC PL HT TR FOR HYD EMB
18	46-328417P12	1.0	Yes	SCREW HEXAGON SOCKET 6 MM 12 MM ZINC PLATED, STEEL
21	46-328432P3	1.0	Yes	WASHER LOCK - SPRING 6.1 MM 11.8 MM ZINC PLATED, SPRING STEEL
22	46-170684P2	0.0	Yes	LOCTITE 271, 10CC BOTTLE 12 MONTH SHELF LIFE FROM DATE OF SHIPMENT FROM THE MANUFACTURER. (REV, TK, 1/92).
6	5127882	1.0	No	SL4 BRKT-CONTROLLER-SUPPORT
10	46-328425P12	4.0	No	NUT HEXAGON 8 MM
15	2275176	8.0	No	TERMINAL 20 AMPS 600 VOLTS 1 EACH

Table 4-27 LS4 Drive-Assembly-Axial (5129732 BOM, rev 1)

3.1.3.1 Brake Assembly, H2 AX Drive Motor (2277225)

FRU = YES

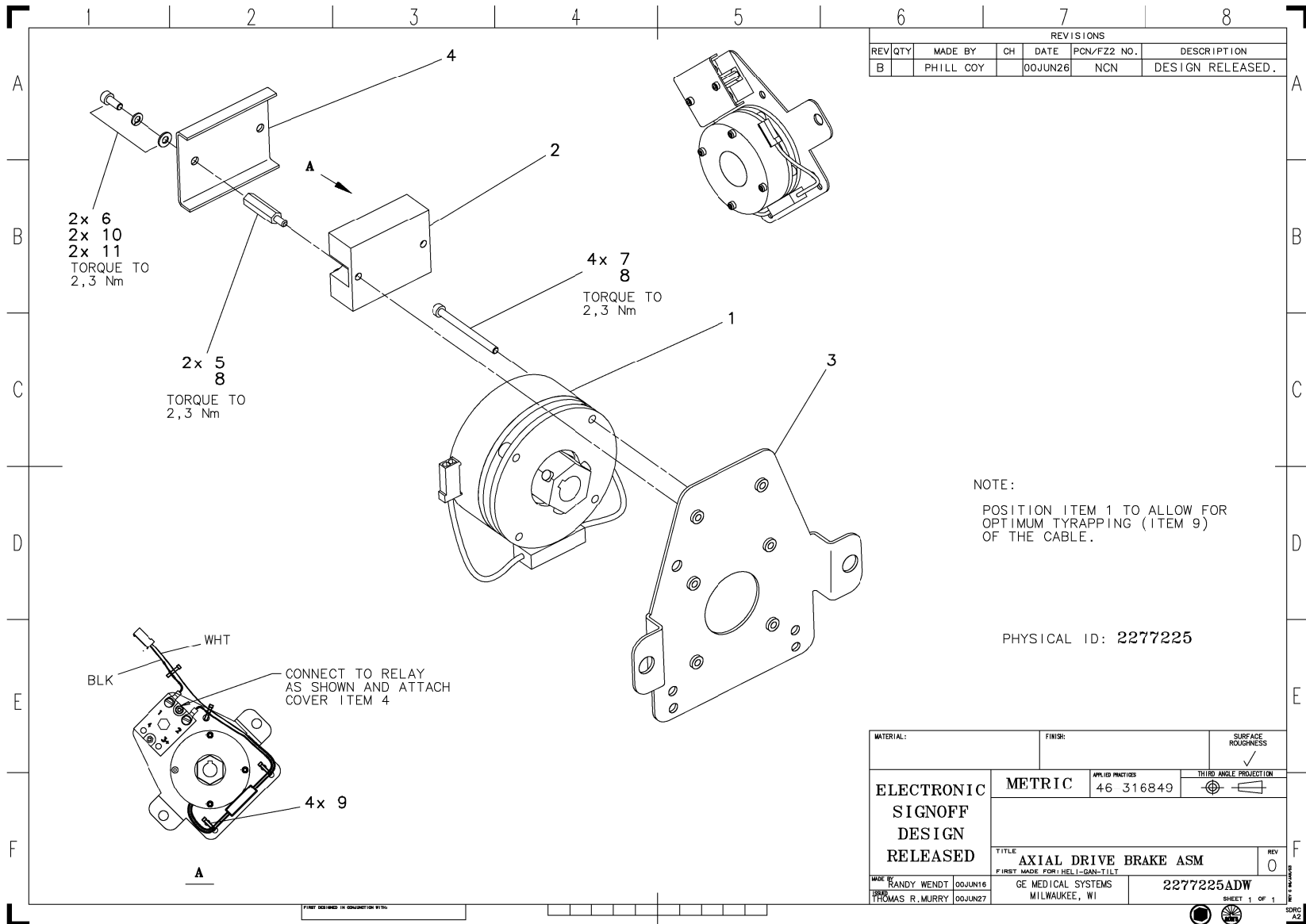


Figure 4-36 Brake Assembly, H2 AX Drive Motor (2277225ADW, sheet 1, rev 0)

MARK	NUMBER	QTY	FRU	DESCRIPTION/NAME
2	46-188067P1	1.0	Yes	10 AMP, 240VAC SOLID STATE RELAY. 3VDC PICK-UP, 1VDC DROP-OUT, 1000OHM 2.25 X 1.75 X .9, SCREW TERM. NORMALLY OPEN SOLID STATE RELAY. FO R SWITCHING AC CURRENT WITH DC INPUT . REV 5-92, JFK - OK.
4	2260672	1.0	Yes	COVER FOR AXIAL BRAKE RELAY
6	46-328417P3	2.0	Yes	SCREW HEXAGON SOCKET 4 MM 10 MM ZINC PLATED, STEEL
8	46-170686P3	0.0	Yes	LOCTITE 242, 50CC 12 MONTH SHELF LIFE FROM DATE OF SHIPMENT FROM THE MANUFACTURER.
9	46-208758P9	4.0	Yes	11.08~X .140~ SELF-LOCKING CABLE TIE 1/16~ TO 3~ WIRE BUNDLE RANGE. 40LB TENSILE STRENGTH, NYLON MATR~L. (DWG REV 5/92, JFK - OK).
10	46-328431P1	2.0	Yes	WASHER PLAIN - LARGE 4.3 MM 12 MM ZINC PLATED, STEEL
11	46-328432P2	2.0	Yes	WASHER LOCK - SPRING 4.1 MM 7.6 MM ZINC PLATED, SPRING STEEL
1	2254392	1.0	No	HOLDING BRAKE FOR AXIAL DRIVE
3	2253490	1.0	No	AXIAL BRAKE MOUNTING BRACKET FOR H2
5	2209282-3	2.0	No	HEX STANDOFF MALE/FEMALE M4 X 25MM
7	46-328417P77	4.0	No	SCREW HEXAGON SOCKET 4 MM 50 MM

Table 4-28 Brake Assembly, H2 AX Drive Motor (2277225 BOM, rev 0)

3.1.3.2 LS4 Motor Controller-Assembly (5129738)

FRU = YES

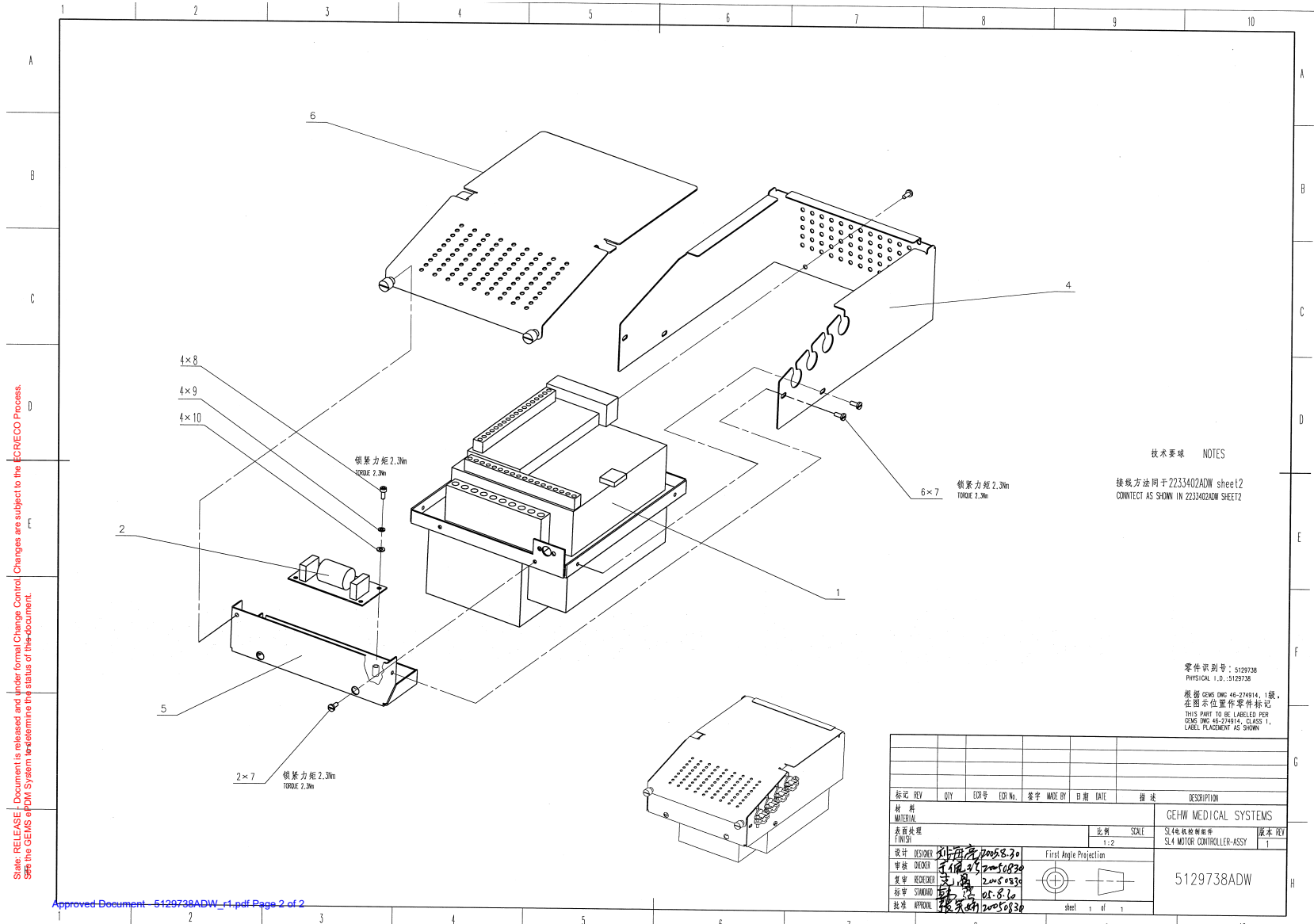


Figure 4-37 LS4 Motor Controller-Assembly (5129738ADW, sheet 1, rev 1)

MARK	NUMBER	QTY	FRU	DESCRIPTION/NAME
2	2168593	1.0	Yes	HEMRC IF FILTER
7	46-170015P3	8.0	Yes	SCREW SEMS 8-32 X .312, EX TOOTH LOCK WASHER, ZINC PLT F70B5A
8	46-328417P3	4.0	Yes	SCREW HEXAGON SOCKET 4 MM 10 MM ZINC PLATED, STEEL
9	46-328432P2	4.0	Yes	WASHER LOCK - SPRING 4.1 MM 7.6 MM ZINC PLATED, SPRING STEEL
10	46-328430P2	4.0	Yes	WASHER PLAIN - NORMAL 4.3 MM 9 MM ZINC PLATED, STEEL
12	2271058	1.0	Yes	AXIAL DRIVE SIGNAL
14	46-221417P1	1.0	Yes	FEMALE SCREWLOCKS, TWO PER KIT FOR HD CONNECTORS 4-40 THREAD 0.5 OVERALL LENGTH, YELLOW CHROMATE 0.312 BOTTOM, 0.062 PANEL THK. MAX KIT INCLUDES NUTS AND WASHERS
1	2260732	1.0	No	H2 GANTRY AXIAL MOTOR DRIVE
4	2249742	1.0	No	COVER,SIDE,AB MOTOR CONTROLLER
5	2249743	1.0	No	COVER,FRONT,AB MOTOR CONTROLLER
6	2249740	1.0	No	COVER,TOP,AB MOTOR CONTROLLER

Table 4-29 LS4 Motor Controller-Assembly (5129738 BOM, rev 1)

3.1.4 SL4 Encoder Assembly, with-LED, with MD gear (5182194-2)

FRU = YES

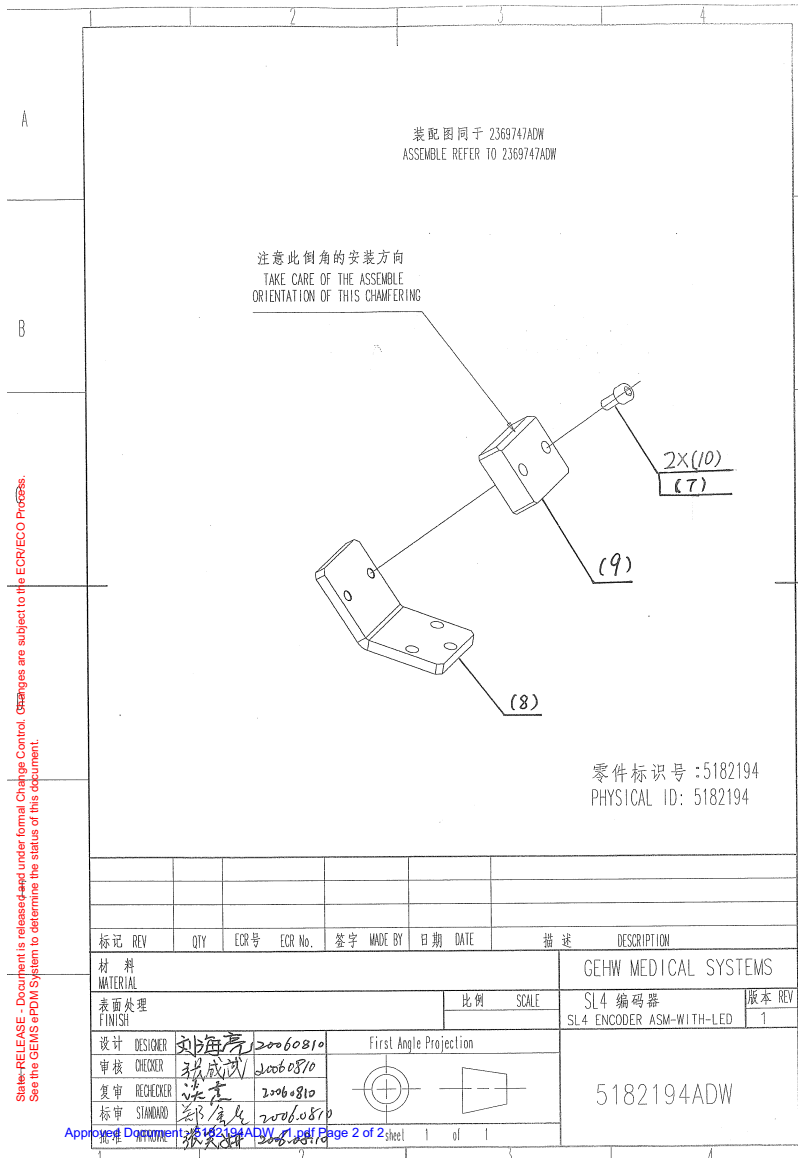


Figure 4-38 SL4 Encoder Assembly, with-LED, with MD gear (5182194ADW, sheet 1, rev 1)

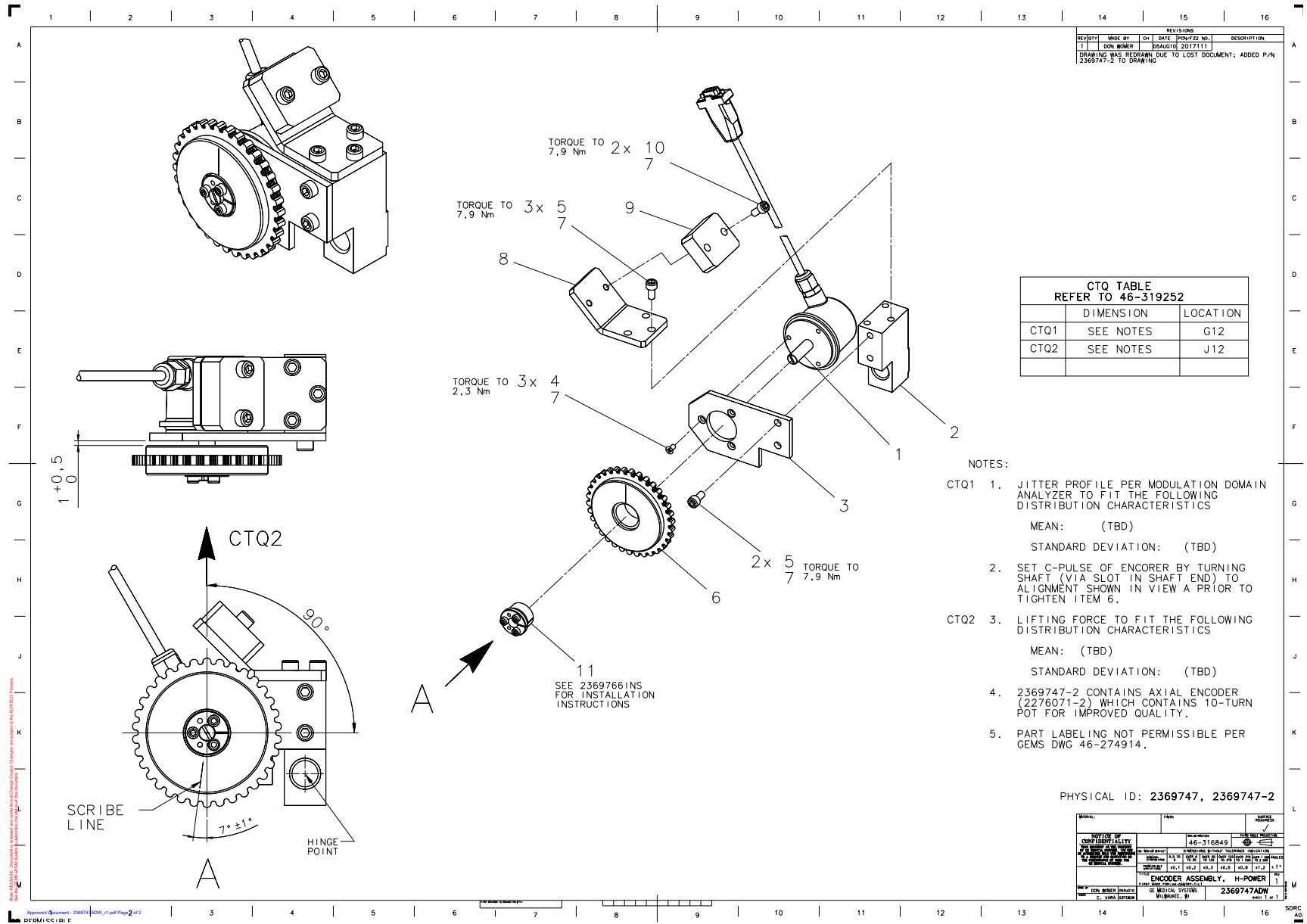


Figure 4-39 SL4 Encoder Assembly, with-LED, with MD gear (2369747ADW, sheet 1, rev 1)

MARK	NUMBER	QTY	FRU	DESCRIPTION/NAME
4	2103580	3.0	Yes	SCREW COUNTERSUNK HEA 4 MM 8 MM CAP SCREWS BLACK OXIDE, STEEL
5	46-328417P12	5.0	Yes	SCREW HEXAGON SOCKET 6 MM 12 MM ZINC PLATED, STEEL
7	46-170686P3	0.0	Yes	LOCTITE 242, 50CC 12 MONTH SHELF LIFE FROM DATE OF SHIPMENT FROM THE MANUFACTURER.
10	46-328417P15	2.0	Yes	SCREW HEXAGON SOCKET 6 MM 25 MM ZINC PLATED, STEEL
1	5167240	1.0	No	Encoder, Axial Drive Feedback
2	2328304	1.0	No	ENCODER BLOCK PIVOT
3	2276068	1.0	No	ENCODER PLATE
6	5146139	1.0	No	GEAR, AXIAL ENCODER, H2-VCT GANTRY, M-D
8	2289804	1.0	No	CARRIER BRACKET H2 GANTRY
9	5144965	1.0	No	SL4 WEIGHT BLOCK
11	2369766	1.0	No	ENCODER WHEEL MOUNTING HUB B-LOC B109-10

Table 4-30 SL4 Encoder Assembly, with-LED, with MD gear (5182194-2 BOM, rev 2)

3.1.5 SL4 TGPU_PS_Assembly (5144703)

FRU = NO

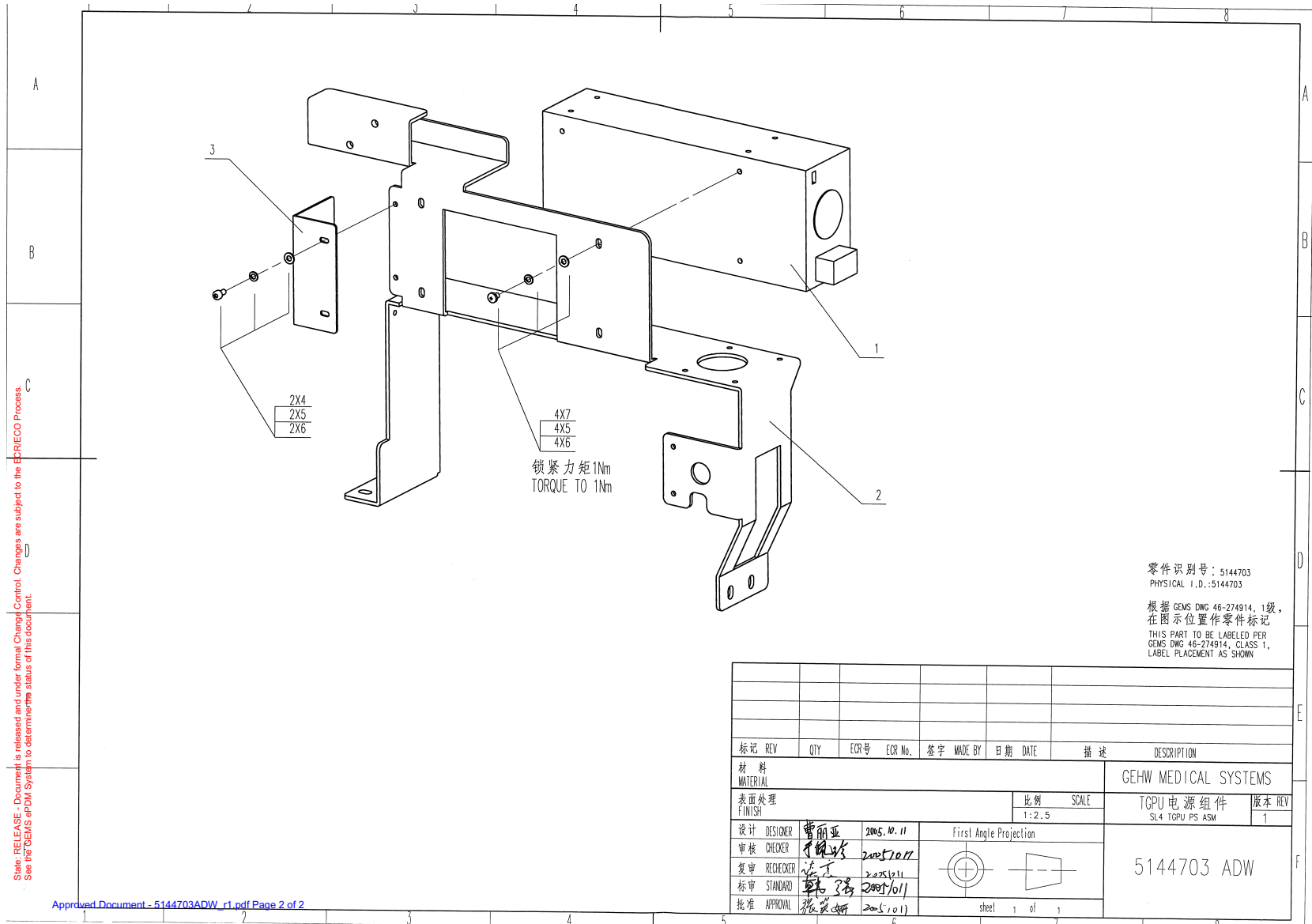


Figure 4-40 SL4 TGPU_PS_Assembly (5144703ADW, sheet 1, rev 1)

MARK	NUMBER	QTY	FRU	DESCRIPTION/NAME
4	46-328417P2	2.0	Yes	SCREW HEXAGON SOCKET 4 MM 8 MM ZINC PLATED, STEEL
5	46-328432P2	6.0	Yes	WASHER LOCK - SPRING 4.1 MM 7.6 MM ZINC PLATED, SPRING STEEL
6	46-328430P2	6.0	Yes	WASHER PLAIN - NORMAL 4.3 MM 9 MM ZINC PLATED, STEEL
7	2109873-15	4.0	Yes	SCREW PAN HEAD 4 MM 12 MM
1	5151214	1.0	No	SL4 TGPU POWER SUPPLY ASM {For further detail, see Section 3.1.5.1, beginning on page 222. }
2	5144715	1.0	No	SL4 TGPU PS BRKT
3	5160014	1.0	No	SL4 TGPU PS COVER

Table 4-31 SL4 TGPU_PS_Assembly (5144703 BOM, rev 2)

MARK	NUMBER	QTY	FRU	DESCRIPTION/NAME
1	5112542-2	1.0	Yes	OUTPUT 5V -12V 24V vib_fix PowerSupply Positioning HP60
2	5111430-2	1.0	Yes	CABLE-PWR SUPPLY AC
3	5111431	1.0	Yes	HP60 GANTRY CABLE-PWR SUPPLY DC

Table 4-32 SL4 TGPU Power Supply Assembly (5151214 BOM, rev 2)

3.1.6 SL4 E Service outlet_Estop Assembly (5144702)

FRU = YES

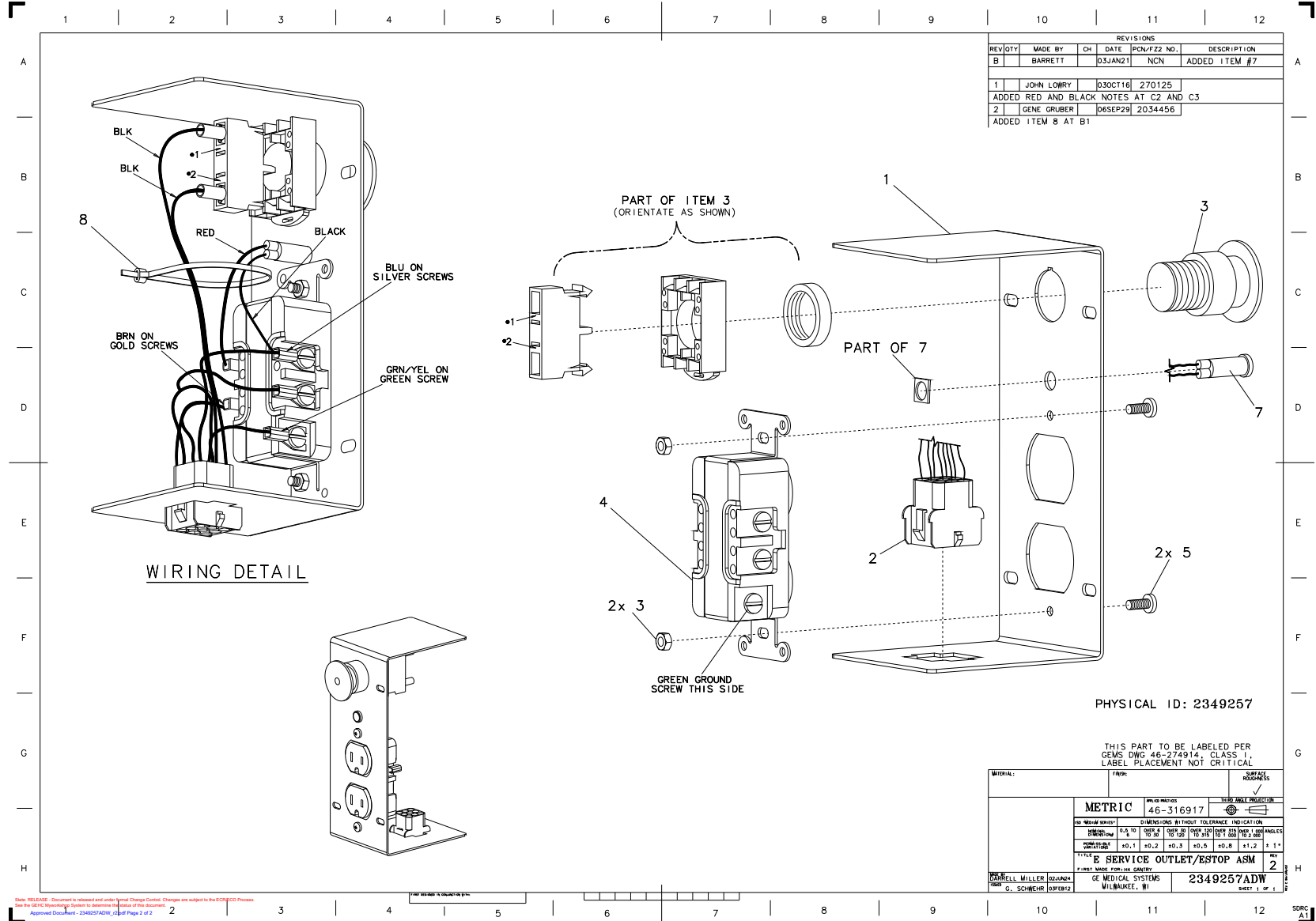


Figure 4-42 SL4 E Service outlet_Estop Assembly (2349257ADW, sheet 1, rev 2)

MARK	NUMBER	QTY	FRU	DESCRIPTION/NAME
4	46-287941P1	1.0	Yes	20 AMP, 125V, DUPLEX RECEPTACLE, 2 POLE, 3 WIRE GROUNDING, IVORY BODY ~T~ TYPE POWER CONTACTS, UL & CSA.
5	46-328421P13	2.0	Yes	SCREW PAN HEAD 4 MM 8 MM ZINC PLATED, STEEL
6	46-328425P1	2.0	Yes	NUT HEXAGON 4 MM
7	2369404	1.0	Yes	GREEN LED ASSEMBLY WITH M4 TERMINALS
1	5129311	1.0	No	SL4 FRT PANEL ESTOP-OUTLET
2	2348154	1.0	No	SERVICE OUTLET/ESTOP HARNESS
3	2275179	1.0	No	NC 1PST MOMENTARY SWITCH WITH RED MUSHROOM ACTUATOR

Table 4-33 SL4 E Service outlet_Estop Assembly (5144702 BOM, rev 1)

3.1.7 Power PAN Assembly 550V (2387385)

FRU = YES

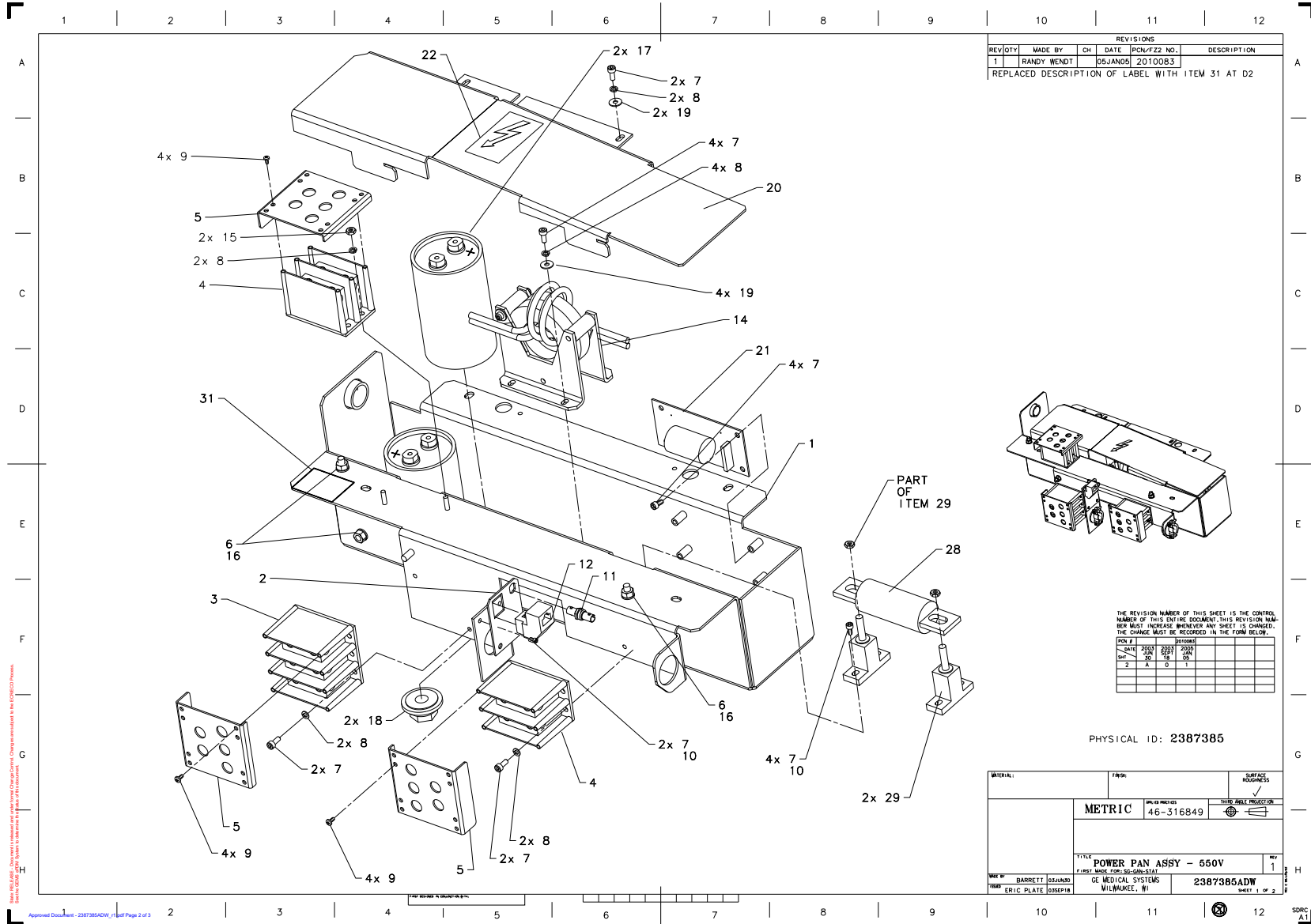


Figure 4-43 Power PAN Assembly 550V (2387385ADW, sheet 1, rev 1)

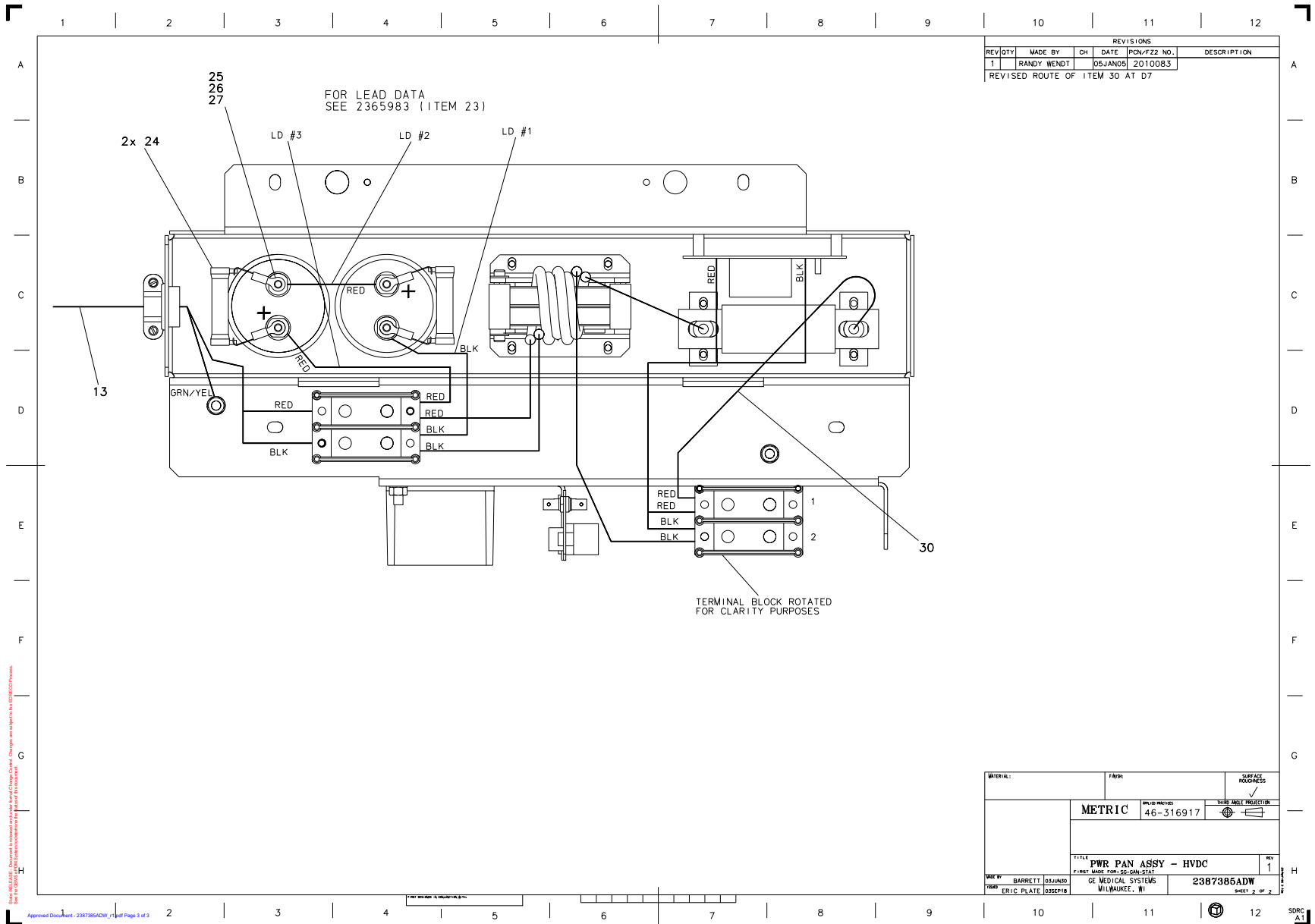


Figure 4-44 Power PAN Assembly 550V (2387385ADW, sheet 2, rev 1)

MARK	NUMBER	QTY	FRU	DESCRIPTION/NAME
5	2364804	3.0	Yes	COVER, PWR DIST BLOCK, 2 OR 3 POS
6	46-328425P2	3.0	Yes	NUT HEXAGON 6 MM
7	46-328417P3	20.0	Yes	SCREW HEXAGON SOCKET 4 MM 10 MM ZINC PLATED, STEEL
8	46-328432P2	12.0	Yes	WASHER LOCK - SPRING 4.1 MM 7.6 MM ZINC PLATED, SPRING STEEL
9	46-328423P1	12.0	Yes	SCREW PAN HEAD 2.9 MM 6.5 MM PAD HEAD TAPPING SCREW TYPE F, TYPE Z
10	46-170683P1	0.0	Yes	LOCTITE 222, 10CC BOTTLE 12 MONTH SHELF LIFE FROM DATE OF SHIPMENT FROM THE MANUFACTURER
11	2265406	1.0	Yes	FIBER-OPTIC COUPLING RECEPTACLE KIT, 2.5MM BAYONET, AMP OPTIMATE
12	2301294-2	1.0	Yes	SHIELDED RJ45 BULKHEAD FEEDTHRU
13	2343594	1.0	Yes	CABLE, HVDC POWER
15	46-328425P1	2.0	Yes	NUT HEXAGON 4 MM
16	46-328432P3	3.0	Yes	WASHER LOCK - SPRING 6.1 MM 11.8 MM ZINC PLATED, SPRING STEEL
17	2263186-3	2.0	Yes	CAP FIXED 2700 MICROFARADS 420V
19	46-328431P1	6.0	Yes	WASHER PLAIN - LARGE 4.3 MM 12 MM ZINC PLATED, STEEL
21	2168593-2	1.0	Yes	H-POWER HVDC FILTER
22	46-279768P1	1.0	Yes	IEC HIGH VOLTAGE SYMBOL
24	2367808	2.0	Yes	RESISTOR WITH RING TERMINALS
26	46-311805P2	4.0	Yes	HELICAL LOCK WASHER M5 ZP DIN
27	46-311804P5	4.0	Yes	FLAT WASHER,5.3X10X1 ZP ST DIN
28	2379651	1.0	Yes	FUSE - 700 V, 200 A, FAST SEMI
1	2380808	1.0	No	POWER PAN 550V
2	2350553	1.0	No	BRACKET, INLINE CONNECTOR
3	2275177-2	1.0	No	TERMINAL 185 AMPS 600 VOLTS 1 EACH #14 TO 2/0 AWG
4	2275177-3	2.0	No	TERMINAL 185 AMPS 600 VOLTS 1 EACH #14 TO 2/0 AWG DUAL SECONDARY OPENINGS
14	2397044	1.0	No	HVDC INDUCTOR ASSEMBLY
18	2180476	2.0	No	NUT ROUND, 30.5 MM MOUNTING HOLE
20	5125760	1.0	No	Cover - 550 Pan

Table 4-34 Power PAN Assembly 550V (2387385 BOM, rev 7)

MARK	NUMBER	QTY	FRU	DESCRIPTION/NAME
23	2365983	1.0	No	LEAD DATA - HVDC POWER PAN
25	46-312670P23	4.0	No	M5 X 0.8 X 10 MM METRIC HEX HEAD CAP SCREW STEEL ZINC PLATED (FULL THREAD)
29	2379650	2.0	No	FUSE HOLDER
30	5125759	1.0	No	Lead - Fuse to Terminal
31	5123191	1.0	No	Danger High Voltage Warning Label

Table 4-34 Power PAN Assembly 550V (2387385 BOM, rev 7) (Continued)

3.1.8 SL4 Service Board Bracket Assembly (5149731)

FRU = NO

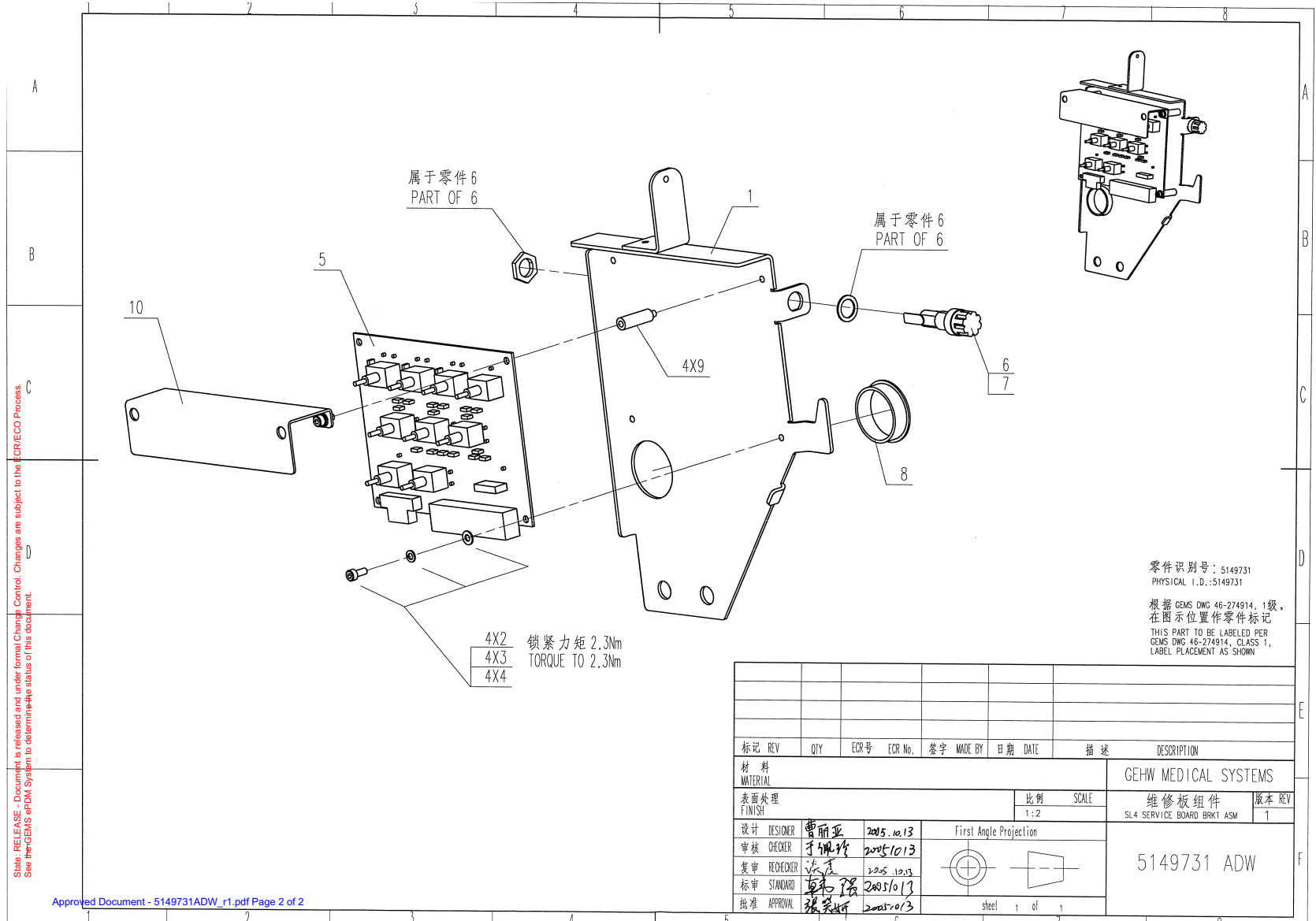


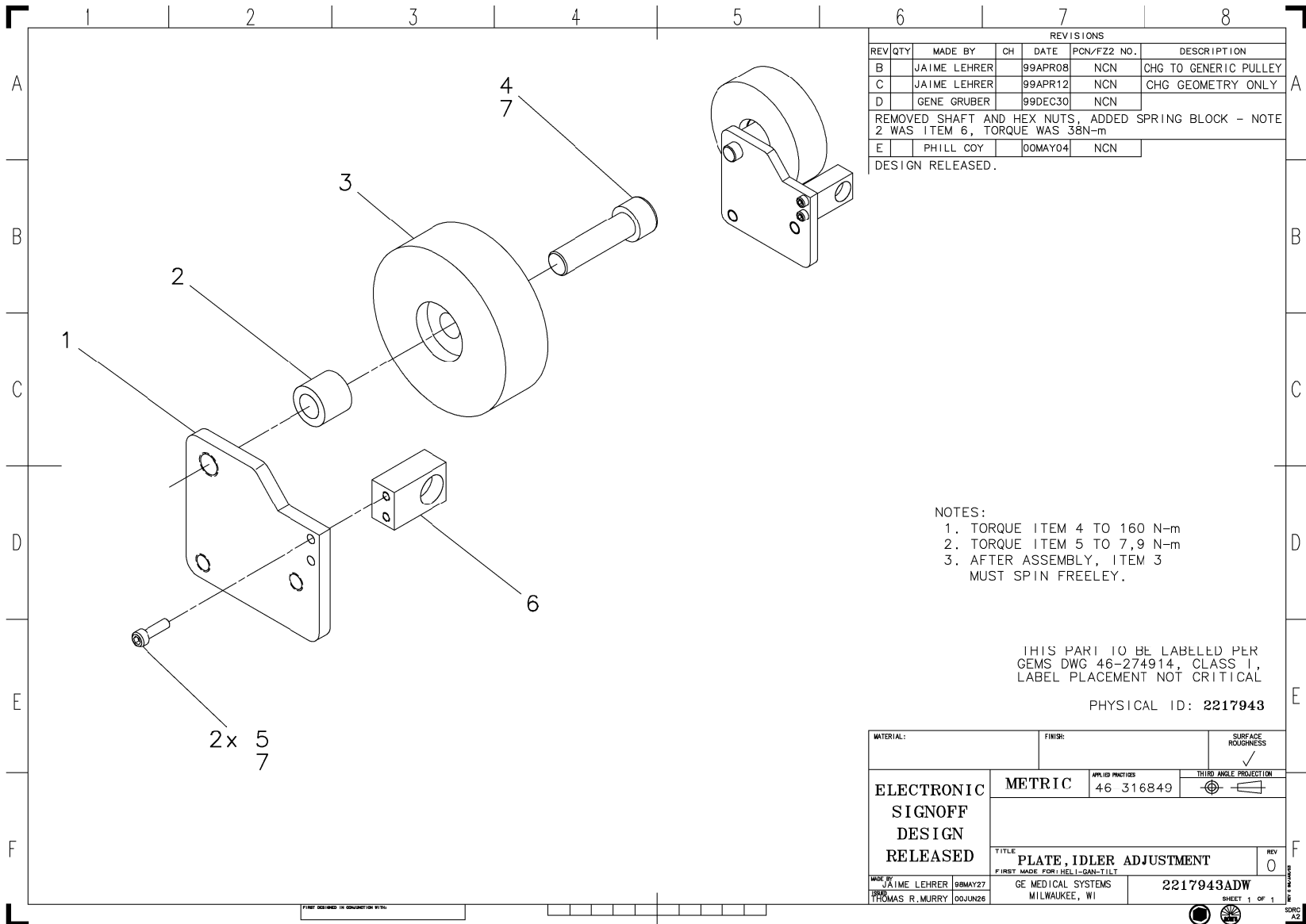
Figure 4-45 SL4 Service Board Bracket Assembly (5149731ADW, sheet 1, rev 1)

MARK	NUMBER	QTY	FRU	DESCRIPTION/NAME
2	46-328417P3	4.0	Yes	SCREW HEXAGON SOCKET 4 MM 10 MM ZINC PLATED, STEEL
3	46-328430P2	4.0	Yes	WASHER PLAIN - NORMAL 4.3 MM 9 MM ZINC PLATED, STEEL
4	46-328432P2	4.0	Yes	WASHER LOCK - SPRING 4.1 MM 7.6 MM ZINC PLATED, SPRING STEEL
5	2337132	1.0	Yes	P2033WJ SERVICE SWITCH BD ASSY
6	46-170042P26	1.0	Yes	12A/250V PANEL-MOUNT FUSEHOLDER. DE- RATED FROM 20A PER MFG'R. FOR 0.25~X 1.25~ 3AG FUSE. 1/4~ Q.C. TERM, LOCK WASHER INCL. SAME AS 46-170042P12 EX EXCEPT FOR TERMINALS. (DWG REV 11/91 JFK).
7	46-170021P31	1.0	Yes	One-HalfA, 250V SLO-BLO FUSE. TYPE 3AG, 1.25aprox. X 0.25aprox. GLASS BODY. REVIEWED TK, 7-91.
8	46-208695P81	1.0	Yes	HEYCO PART NO.2240 SB-1500-21 BLACK
10	5128021	1.0	Yes	cover, service switch board
1	5145644	1.0	No	SL4 TILT BOARD BRACKET
9	2209282-3	4.0	No	HEX STANDOFF MALE/FEMALE M4 X 25MM

Table 4-35 SL4 Service Board Bracket Assembly (5149731 BOM, rev 1)

3.1.9 Idler Assembly with MTG Plate for H2 GANT (2217943)

FRU = YES



REVISIONS						
REV	QTY	MADE BY	CH	DATE	PCN/FZ2 NO.	DESCRIPTION
B		JAIME LEHRER		99APR08	NCN	CHG TO GENERIC PULLEY
C		JAIME LEHRER		99APR12	NCN	CHG GEOMETRY ONLY
D		GENE GRUBER		99DEC30	NCN	
REMOVED SHAFT AND HEX NUTS, ADDED SPRING BLOCK - NOTE 2 WAS ITEM 6, TORQUE WAS 38N-m						
E		PHILL COY		00MAY04	NCN	
DESIGN RELEASED.						

- NOTES:
1. TORQUE ITEM 4 TO 160 N-m
 2. TORQUE ITEM 5 TO 7,9 N-m
 3. AFTER ASSEMBLY, ITEM 3 MUST SPIN FREELEY.

THIS PART TO BE LABELED PER GEMS DWG 46-274914, CLASS 1, LABEL PLACEMENT NOT CRITICAL

PHYSICAL ID: 2217943

MATERIAL:		FINISH:		SURFACE ROUGHNESS	
ELECTRONIC SIGNOFF DESIGN RELEASED		METRIC		APPLIC PRACTICES 46 316849	
				THIRD ANGLE PROJECTION	
		TITLE		REV	
		PLATE, IDLER ADJUSTMENT		0	
FIRST MADE FOR: HELI-GANT-TILT					
MADE BY JAIME LEHRER 08MAY27		GE MEDICAL SYSTEMS MILWAUKEE, WI		2217943ADW	
DRAWN BY THOMAS R. MURRY 00JUN26				SHEET 1 OF 1	

Figure 4-46 Idler Assembly with MTG Plate for H2 GANT (2217943ADW, sheet 1, rev 0)

MARK	NUMBER	QTY	FRU	DESCRIPTION/NAME
4	46-328417P42	1.0	Yes	SCREW HEXAGON SOCKET 16 MM 55 MM ZINC PLATED, STEEL
5	46-328417P14	2.0	Yes	SCREW HEXAGON SOCKET 6 MM 20 MM ZINC PLATED, STEEL
7	46-170684P2	0.0	Yes	LOCTITE 271, 10CC BOTTLE 12 MONTH SHELF LIFE FROM DATE OF SHIPMENT FROM THE MANUFACTURER. (REV, TK, 1/92).
1	2215429	1.0	No	IDLER PULLEY ADJ. PLATE FOR H2 GANT
2	2215432	1.0	No	SPACER FOR IDLER PULLEY MTG,H2 GANT
3	2214914	1.0	No	IDLER PULLEY FOR H2 GANTRY AXIAL DRV
6	2258509	1.0	No	SPRING HOLDER,IDLER PULLEY TENSIONER

Table 4-36 Idler Assembly with MTG Plate for H2 GANT (2217943 BOM, rev 3)

3.1.10 BSD 120V PowerPan with PET and GOP outlet added, and 5 CBs (5272458)

FRU = YES

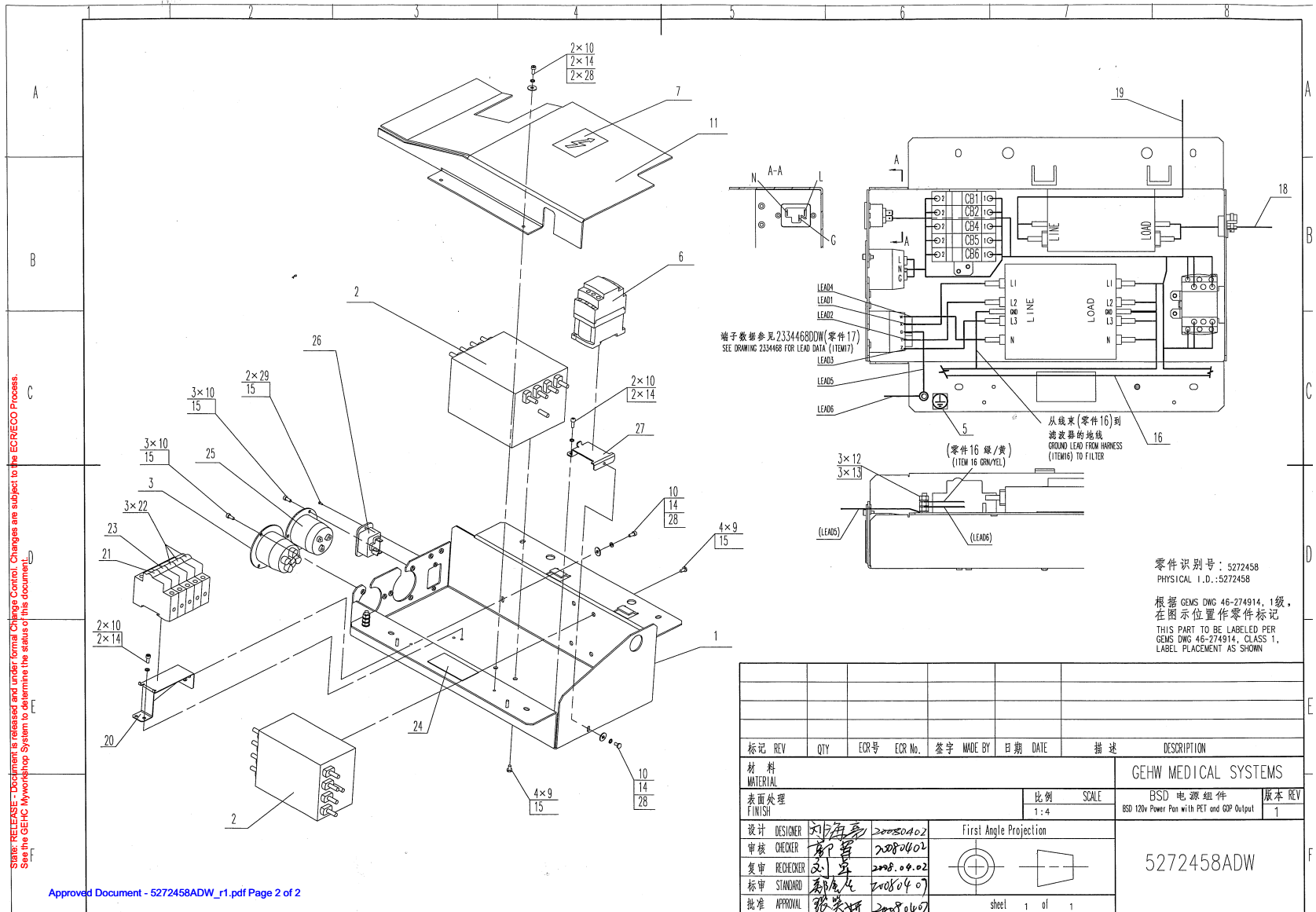


Figure 4-47 BSD 120V PowerPan with PET and GOP outlet added, and 5 CBs (5272458ADW, sheet 1, rev 1)

MARK	NUMBER	QTY	FRU	DESCRIPTION/NAME
2	2113764-11	2.0	Yes	FILTER, 36A, 3PH, 440/250V PM,SCHAFNER FILTER FN356-36-24
3	46-317671P1	1.0	Yes	FLANGED INLET, 30A, 120/208 3-PHASE WYE 4 POLE, 3 WIRE, TWIST LOCK
5	46-271110P1	1.0	Yes	LABEL, PROTECTIVE EARTH (GROUND) IEC STANDARD GRAPHIC SYMBOL
6	2269902-10	1.0	Yes	CONTACTOR, 18/32A, 3P, 24VDC COIL
7	46-279768P1	1.0	Yes	IEC HIGH VOLTAGE SYMBOL
9	46-328421P502	8.0	Yes	SCREW PAN HEAD 5 MM 8 MM
10	46-328417P3	14.0	Yes	SCREW HEXAGON SOCKET 4 MM 10 MM ZINC PLATED, STEEL
12	46-328425P2	3.0	Yes	NUT HEXAGON 6 MM
13	46-328433P3	3.0	Yes	WASHER LOCK - EXTERNAL 6.4 MM 11 MM ZINC PLATED, SPRING STEEL
14	46-328432P2	8.0	Yes	WASHER LOCK - SPRING 4.1 MM 7.6 MM ZINC PLATED, SPRING STEEL
15	46-170683P1	0.0	Yes	LOCTITE 222, 10CC BOTTLE 12 MONTH SHELF LIFE FROM DATE OF SHI PMENT FROM THE MANUFACTURER
16	5269486	1.0	Yes	Harness - Stationary Side AC, BSD 120V POWER PAN, CB PET GOP outlet added
18	2343593	1.0	Yes	CABLE, AXIAL DRIVE POWER
19	2353097	1.0	Yes	440 VAC INPUT HARNESS-TS2 TO FILTER
21	5271146	1.0	Yes	CKT BRKR 32A 1P 240VAC CURVE D
22	5266139	3.0	Yes	CKT BRKR 16A, 1P, 240VAC, CURVE D
23	5268727	1.0	Yes	CKT BRKR 20A 1P 240VAC CURVE D
25	5224089	1.0	Yes	Flanged Receptacle, L5-20, 20A 125V 3 Wire
28	46-328430P2	4.0	Yes	WASHER PLAIN - NORMAL 4.3 MM 9 MM ZINC PLATED, STEEL
1	5220606	1.0	No	pan-120v power-vct-tof
11	5262794	1.0	No	BSD 120v Power pan cover
17	2334468	1.0	No	LEAD DATA,POWER PAN,120 VAC
20	5220607	1.0	No	bracket-breaker mounting
24	5123191	1.0	No	Danger High Voltage Warning Label
26	2343333	1.0	No	CONNECTOR, F, IEC320, 16A, SCREW-IN
27	5220801	1.0	No	bracket-contactor mounting-vct-tof

Table 4-37 BSD 120V PowerPan with PET and GOP outlet added, and 5 CBs (5272458 BOM, rev 1)

MARK	NUMBER	QTY	FRU	DESCRIPTION/NAME
29	46-312343P19	2.0	No	M3 X 0.5 X 10MM PHILLIPS CROSS RECESSED ZINC PLATED METRIC FLAT HEAD MACHINE SCREW

Table 4-37 BSD 120V PowerPan with PET and GOP outlet added, and 5 CBs (5272458 BOM, rev 1) (Continued)

3.1.11 SL4-TGPU-Assembly (5144705)

FRU = NO

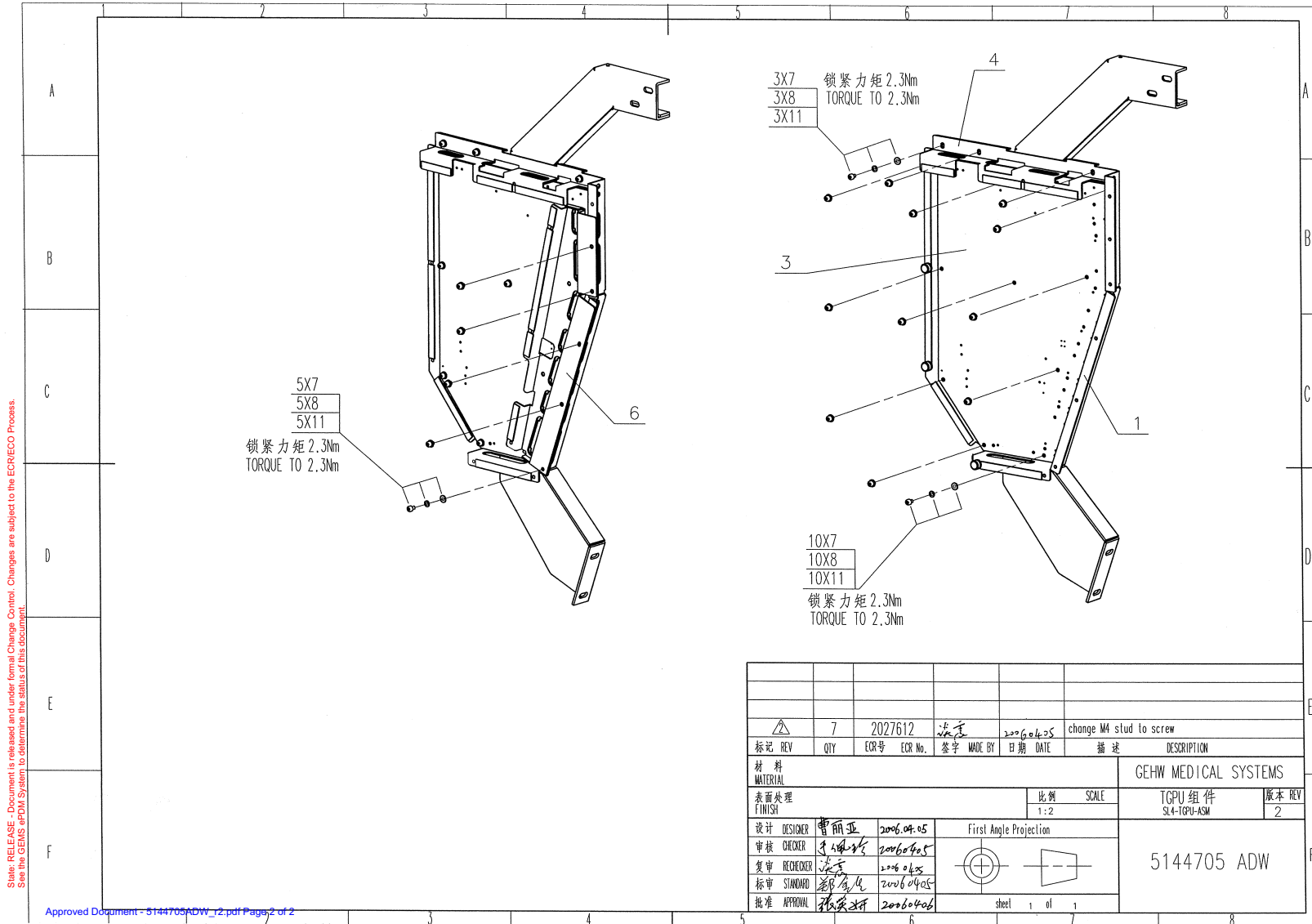


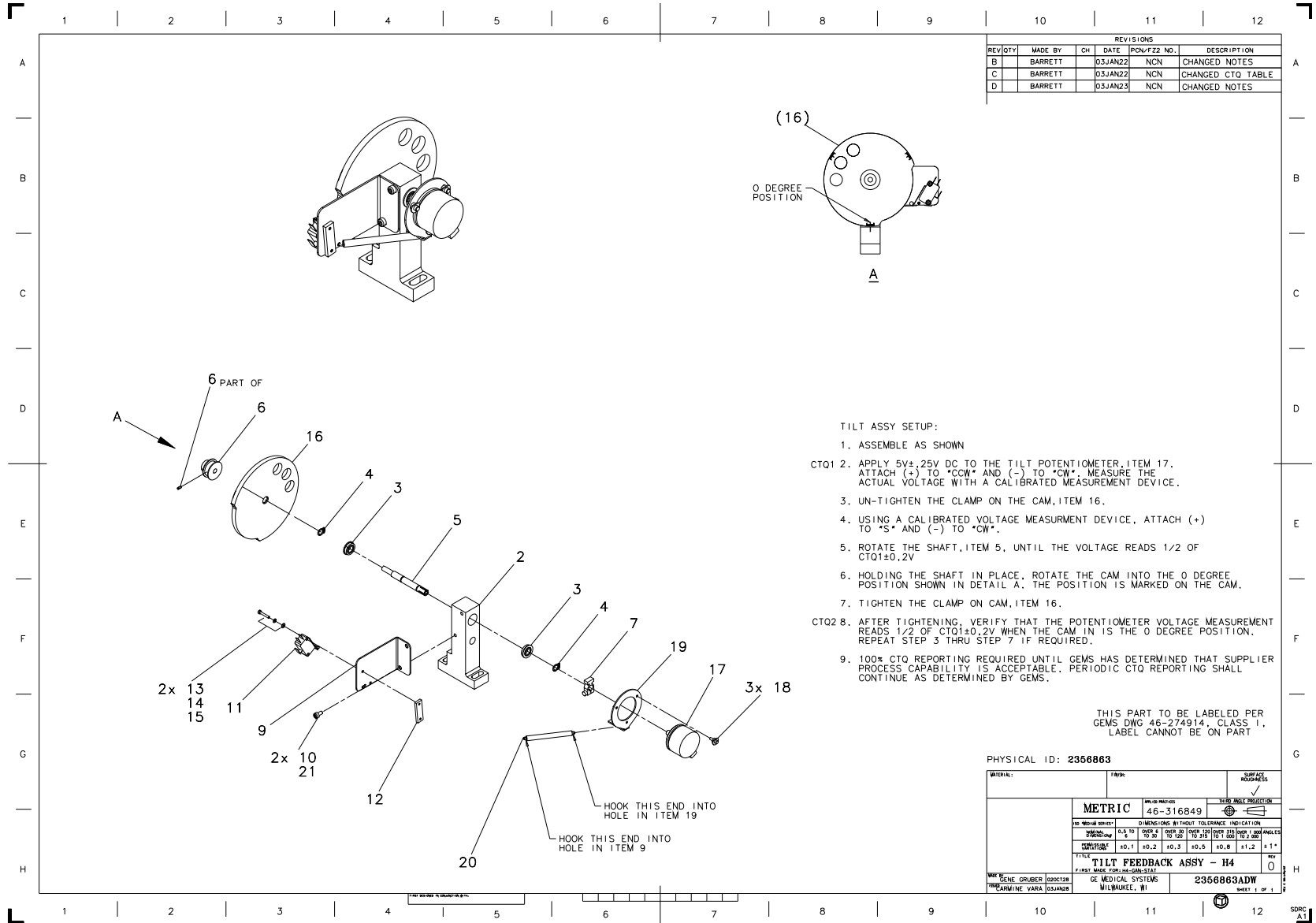
Figure 4-48 SL4-TGPU-Assembly (5144705ADW, sheet 1, rev 2)

MARK	NUMBER	QTY	FRU	DESCRIPTION/NAME
3	2349697-3	1.0	Yes	TGPU BD ASSY Positioning HP60
7	46-328417P2	18.0	Yes	SCREW HEXAGON SOCKET 4 MM 8 MM ZINC PLATED, STEEL
8	46-328432P2	18.0	Yes	WASHER LOCK - SPRING 4.1 MM 7.6 MM ZINC PLATED, SPRING STEEL
11	46-328430P2	18.0	Yes	WASHER PLAIN - NORMAL 4.3 MM 9 MM ZINC PLATED, STEEL
1	5111426-2	1.0	No	SL4 TGPU MOUNTING PAN
4	5114513-2	1.0	No	SL4 TGPU TOP BRKT
6	5114514	1.0	No	HP60 GANTRY TGPU CON COVER

Table 4-38 SL4-TGPU-Assembly (5144705 BOM, rev 3)

3.1.12 SL4 Gantry Tilt Feedback Assembly, EMC ED2 (2356863-3)

FRU = YES



REVISIONS					
REV/DTY	MADE BY	CHK	DATE	PCN/PZZ NO.	DESCRIPTION
B	BARRETT		03JAN22	NCN	CHANGED NOTES
C	BARRETT		03JAN22	NCN	CHANGED CTO TABLE
D	BARRETT		03JAN23	NCN	CHANGED NOTES

- TILT ASSY SETUP:
1. ASSEMBLE AS SHOWN
 - CT01 2. APPLY 5V±.25V DC TO THE TILT POTENTIOMETER, ITEM 17. ATTACH (+) TO "CCW" AND (-) TO "CW". MEASURE THE ACTUAL VOLTAGE WITH A CALIBRATED MEASUREMENT DEVICE.
 3. UN-TIGHTEN THE CLAMP ON THE CAM, ITEM 16.
 4. USING A CALIBRATED VOLTAGE MEASUREMENT DEVICE, ATTACH (+) TO "S" AND (-) TO "CW".
 5. ROTATE THE SHAFT, ITEM 5, UNTIL THE VOLTAGE READS 1/2 OF CTQ1±0.2V
 6. HOLDING THE SHAFT IN PLACE, ROTATE THE CAM INTO THE 0 DEGREE POSITION SHOWN IN DETAIL A. THE POSITION IS MARKED ON THE CAM.
 7. TIGHTEN THE CLAMP ON CAM, ITEM 16.
 - CT02 8. AFTER TIGHTENING, VERIFY THAT THE POTENTIOMETER VOLTAGE MEASUREMENT READS 1/2 OF CTQ1±0.2V WHEN THE CAM IN IS THE 0 DEGREE POSITION. REPEAT STEP 3 THRU STEP 7 IF REQUIRED.
 9. 100% CTO REPORTING REQUIRED UNTIL GEMS HAS DETERMINED THAT SUPPLIER PROCESS CAPABILITY IS ACCEPTABLE. PERIODIC CTO REPORTING SHALL CONTINUE AS DETERMINED BY GEMS.

THIS PART TO BE LABELED PER GEMS DWG 46-274914, CLASS 1. LABEL CANNOT BE ON PART

PHYSICAL ID: 2356863

MATERIAL:	FINISH:	FINISH:	SURFACE ROUGHNESS:
METRIC		46-316849	SEE HOLE PROJECTION
DIMENSIONS IN THOUS. TOLERANCE INDICATION			
SIZE	0.4 TO 1.0	1.0 TO 2.0	2.0 TO 5.0
FINISH	0.1	0.2	0.3
TILT FEEDBACK ASSY - H4			
GE MEDICAL SYSTEMS			2356863ADW
WILBAKEE, WI			SHEET 1 OF 1

Figure 4-49 SL4 Gantry Tilt Feedback Assembly, EMC ED2 (2356863ADW, sheet 1, rev 0)

MARK	NUMBER	QTY	FRU	DESCRIPTION/NAME
4	2207985-2	2.0	Yes	RETAINING RING C-RING - SHAFT 8 MM
6	2348295	1.0	Yes	PULLEY, 32 X 2.03MM PITCH, 6 WIDE
10	46-328417P2	2.0	Yes	SCREW HEXAGON SOCKET 4 MM 8 MM ZINC PLATED, STEEL
11	46-136334P57	1.0	Yes	SPDT, MINIATURE BASIC SWITCH. 10A @125/250VAC, 0.25A @250VDC. ROLLER ACTUATOR, .188~ PUSH-ON TERM. (DWG REV 3/92, JFK - OK).
12	2348306	1.0	Yes	NUT PLATE,H4 TILT LS MTG
14	46-328432P1	2.0	Yes	WASHER LOCK - SPRING 2.6 MM 5.1 MM ZINC PLATED, SPRING STEEL
15	46-328430P1	2.0	Yes	WASHER PLAIN - NORMAL 2.7 MM 6 MM ZINC PLATED, STEEL
17	5122696-3	1.0	Yes	Tilt Pot with Harness
18	46-296780P1	3.0	Yes	No description provided
21	46-170686P2	0.0	Yes	LOCTITE 242, 10CC 12 MONTH SHELF LIFE FROM DATE OF SHIPMENT FROM THE MANUFACTURER
2	2348303	1.0	No	BASE,LIMIT SW MOUNT FOR H4 TILT FB
3	2348299	2.0	No	BEARING, 8MM BORE, FLANGED
5	2348305	1.0	No	SHAFT,TILT CAM MTG,H4
7	2348781	1.0	No	CLAMP, GEAR MOUNTING 5/16~ID
9	2356238	1.0	No	BRACKET, SWITCH MTG,H-POWER TILT FB
13	46-328417P59	2.0	No	SCREW HEXAGON SOCKET 2.5 MM 16 MM
16	2348304	1.0	No	CAM,FOR H4 TILT FEEDBACK LIMIT SW
19	2351313	1.0	No	BRACKET,ANTI-ROTATION,TILT POT
20	2356240	1.0	No	SPRING,EXT,TILT POT ANTI-ROT,H-POWER

Table 4-39 SL4 Gantry Tilt Feedback Assembly, EMC ED2 (2356863-3 BOM, rev 3)

MARK	NUMBER	QTY	FRU	DESCRIPTION/NAME
	2320719	1.0	Yes	GANTRY INTERCOM II
2	46-297335P2	1.0	Yes	6.90A, 250V 2-STAGE PWR LINE FILTER. 2 X 0.21MA LEAK CURRENT, 220V/50HZ. SOLDER LUGS/FAST-ON TERMINALS. (UL, CSA & VDE APPROVALS) 2-STAGE, GENERAL PURPOSE FILTER W/ HIGH ATTENUATION. (DWG REV 3/92, JFK - OK).
7	46-170684P2	0.0	Yes	LOCTITE 271, 10CC BOTTLE 12 MONTH SHELF LIFE FROM DATE OF SHIPMENT FROM THE MANUFACTURER. (REV, TK, 1/92).
8	5855006-2	1.0	Yes	GANTRY INTERCOM
9	46-208560P48	4.0	Yes	SCREW SCREW OLD ZINC PL
10	46-297609P1	1.0	Yes	INTERCOM BRKT
11	46-328425P1	8.0	Yes	NUT HEXAGON 4 MM
12	46-328430P2	14.0	Yes	WASHER PLAIN - NORMAL 4.3 MM 9 MM ZINC PLATED, STEEL
15	91716331	1.0	Yes	FILTRE SECT 30A 250VAC VIS M4
17	5122164	1.0	Yes	Power Supply ASM, 12V {For further detail, see Section 3.1.13.1, beginning on page 244. }
18	46-328417P3	2.0	Yes	SCREW HEXAGON SOCKET 4 MM 10 MM ZINC PLATED, STEEL
19	46-328432P2	14.0	Yes	WASHER LOCK - SPRING 4.1 MM 7.6 MM ZINC PLATED, SPRING STEEL
1	2356875-2	1.0	No	SL4 PLATE SLIPRING 120V
5	2360822	4.0	No	STANDOFF, GANTRY CTRL SERV HPOWER
13	2105760-14	2.0	No	STANDOFF, M4 INT/EXT THDS, L=50
14	2105692-13	2.0	No	STANDOFF M4, INTERNAL THDS, L=41,2

Table 4-40 SL4 Slipping Plate Assembly (5149732 BOM, rev 4)

3.1.13.1 Power Supply Assembly, 12V (5122164)

FRU = YES

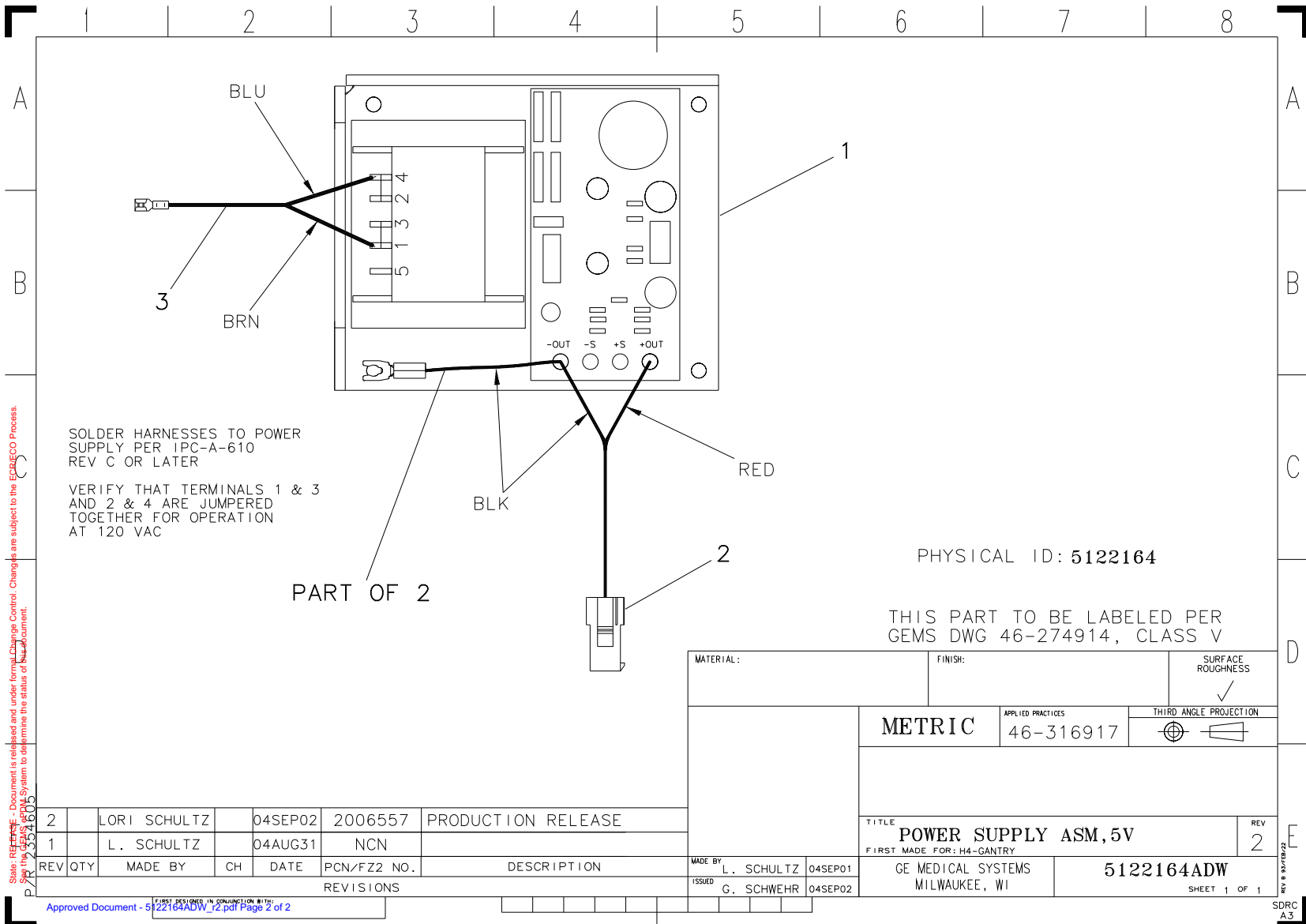


Figure 4-51 Power Supply Assembly, 12V (5122164ADW, sheet 1, rev 2)

MARK	NUMBER	QTY	FRU	DESCRIPTION/NAME
1	5257484	1.0	No	Power Supply Linear 15V 1.5A
2	5123198	1.0	No	Ground wire cable for Slipring Receiver Power Supply
3	2354602	1.0	No	HARNESS - POWER SUPPLY INPUT

Table 4-41 Power Supply Assembly, 12V (5122164 BOM, rev 3)

3.1.14 SL Gantry Horizontal Assembly-16 slices, 6.3M Tube (5144701-3)

FRU = NO

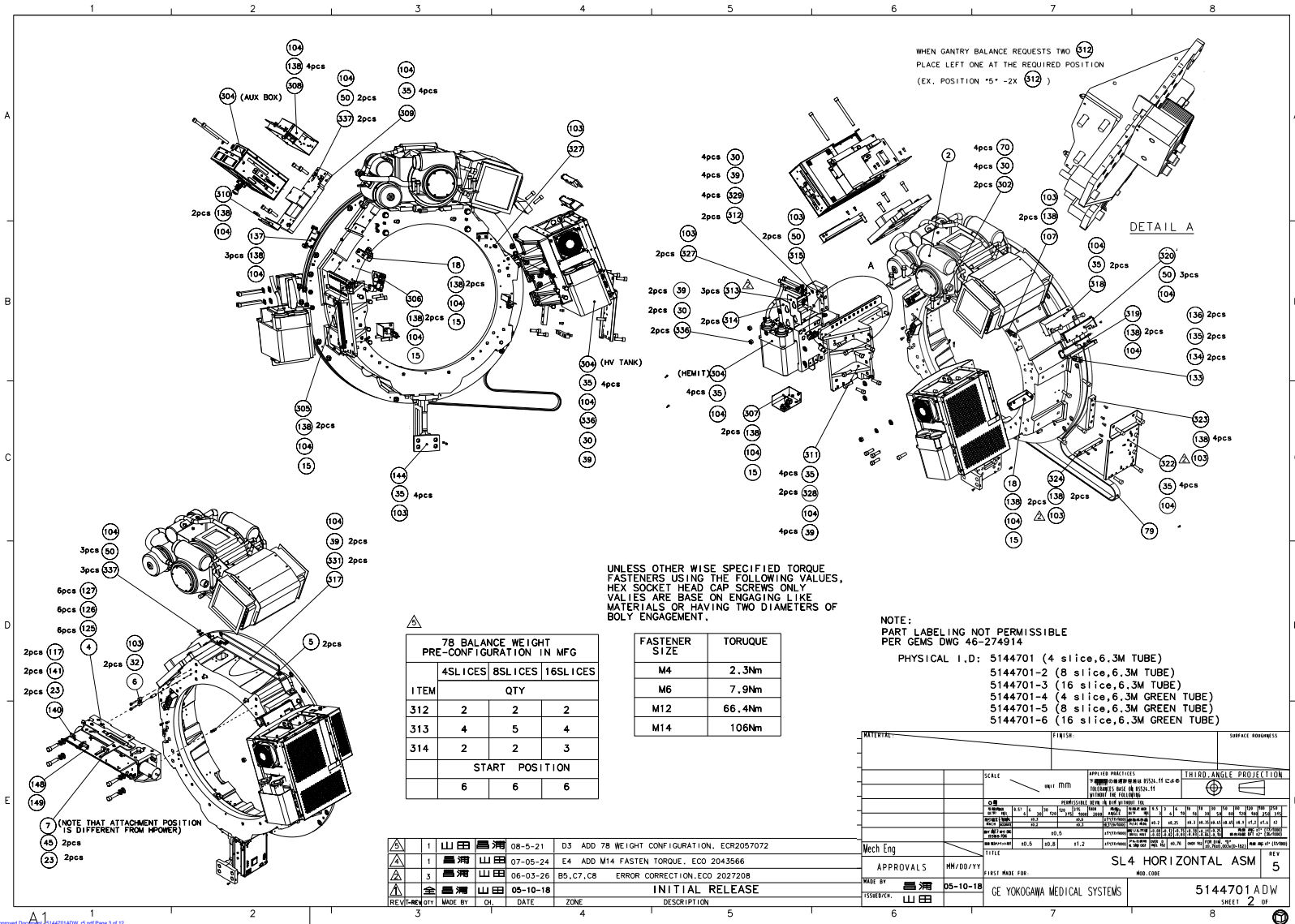


Figure 4-52 SL Gantry Horizontal Assembly-16 slices, 6.3M Tube (5144701ADW, sheet 2, rev 5)

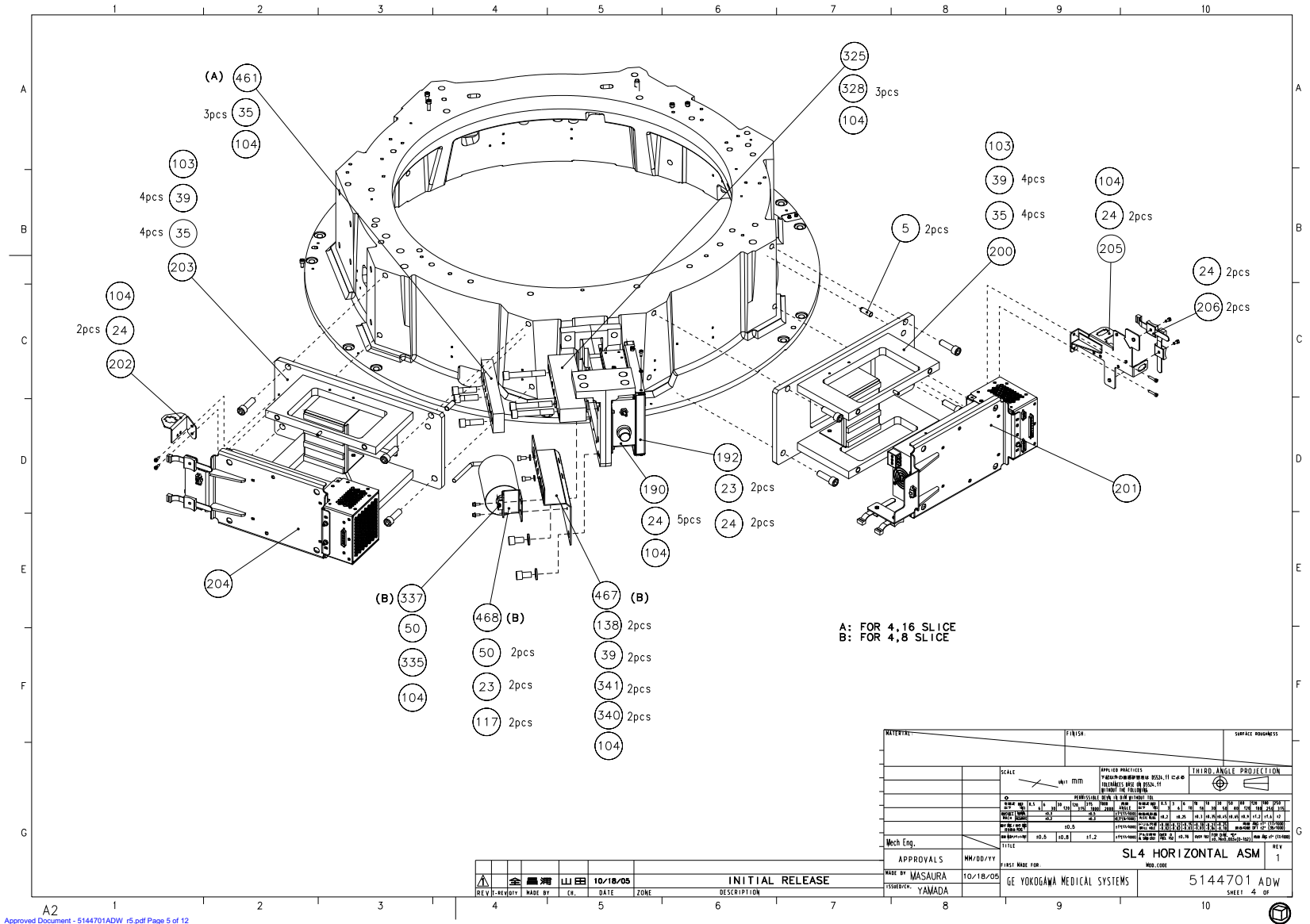


Figure 4-54 SL Gantry Horizontal Assembly-16 slices, 6.3M Tube (5144701ADW, sheet 4, rev 5)

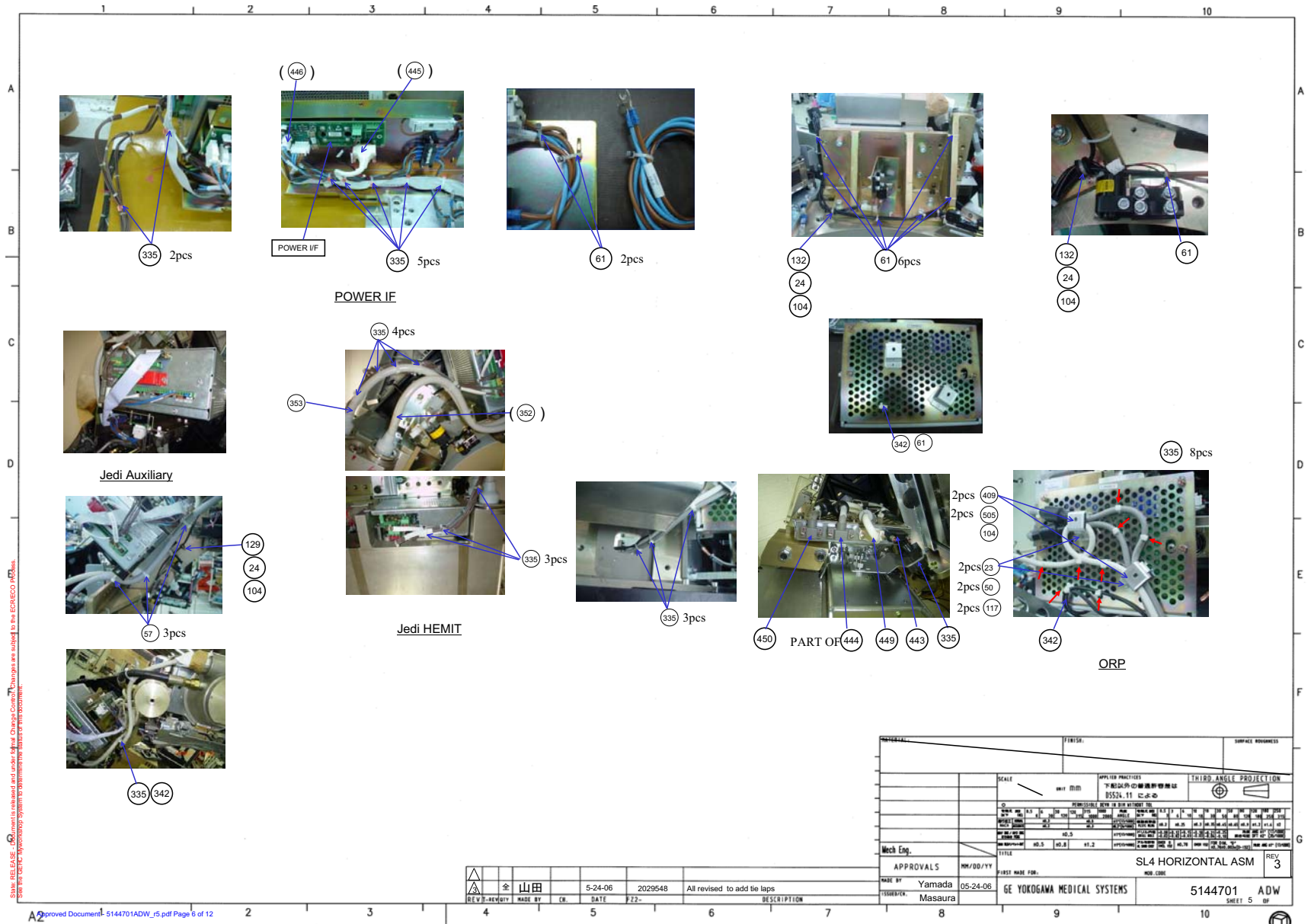


Figure 4-55 SL Gantry Horizontal Assembly-16 slices, 6.3M Tube (5144701ADW, sheet 5, rev 5)

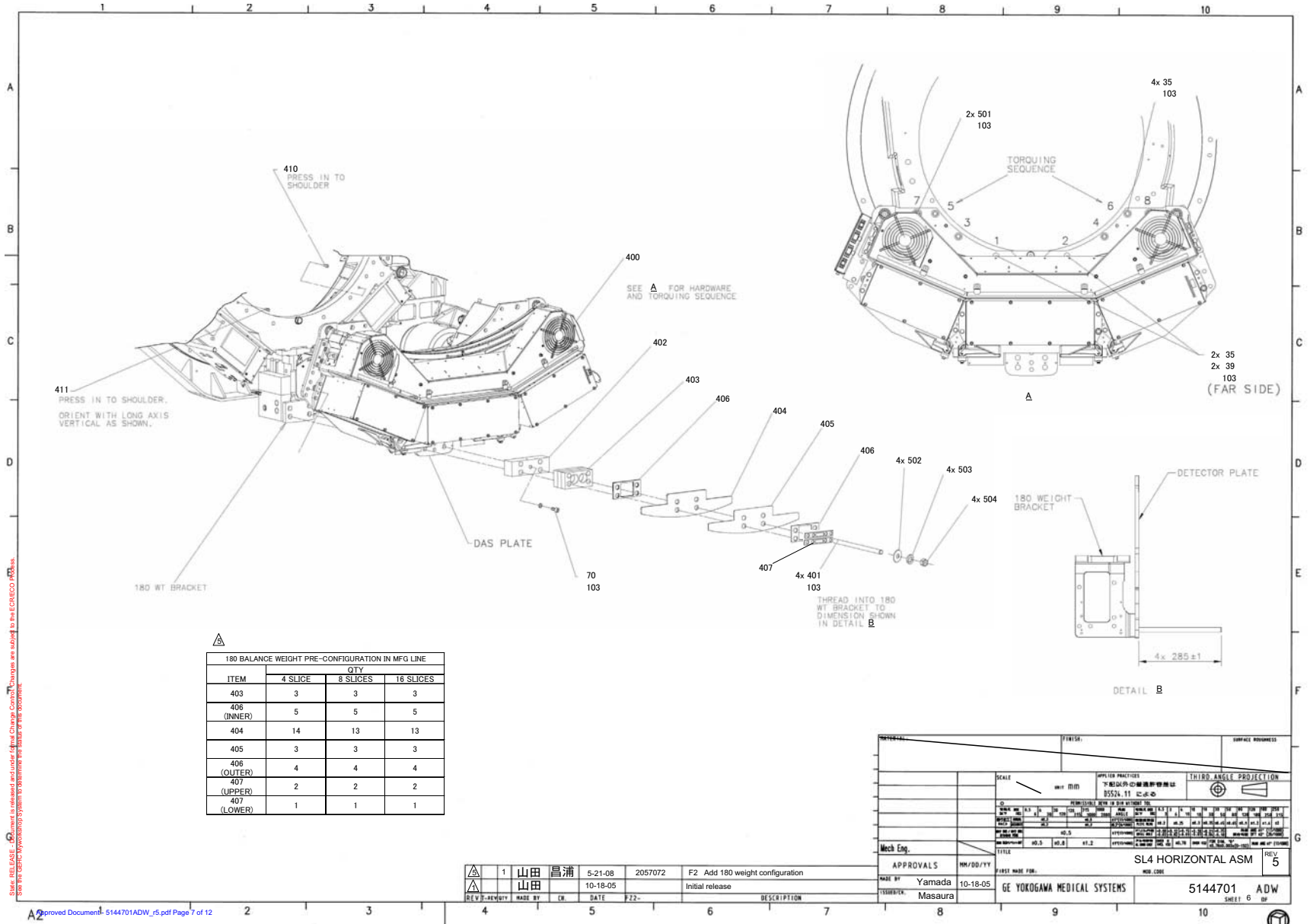


Figure 4-56 SL Gantry Horizontal Assembly-16 slices, 6.3M Tube (5144701ADW, sheet 6, rev 5)

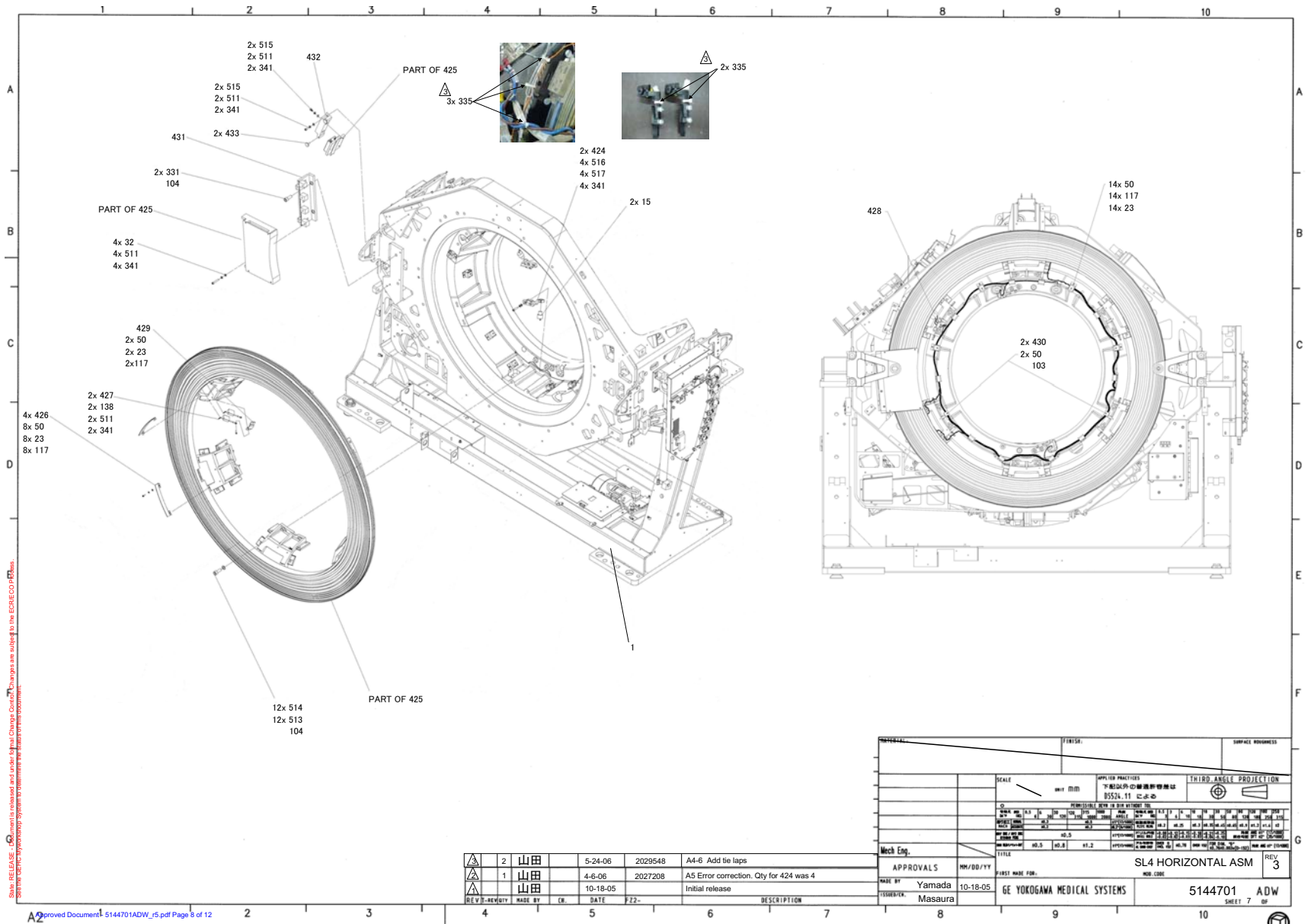


Figure 4-57 SL Gantry Horizontal Assembly-16 slices, 6.3M Tube (5144701ADW, sheet 7, rev 5)

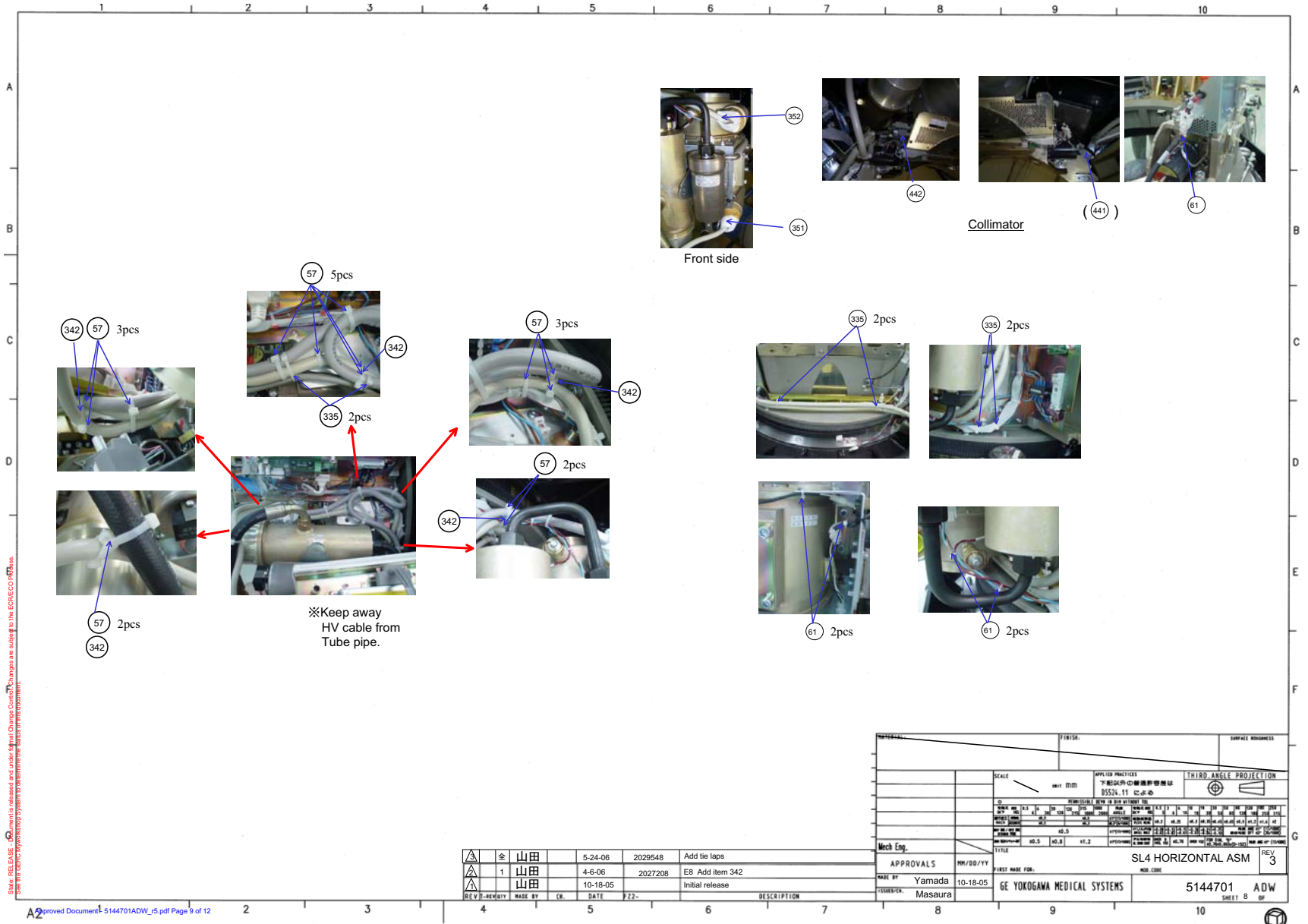


Figure 4-58 SL Gantry Horizontal Assembly-16 slices, 6.3M Tube (5144701ADW, sheet 8, rev 5)

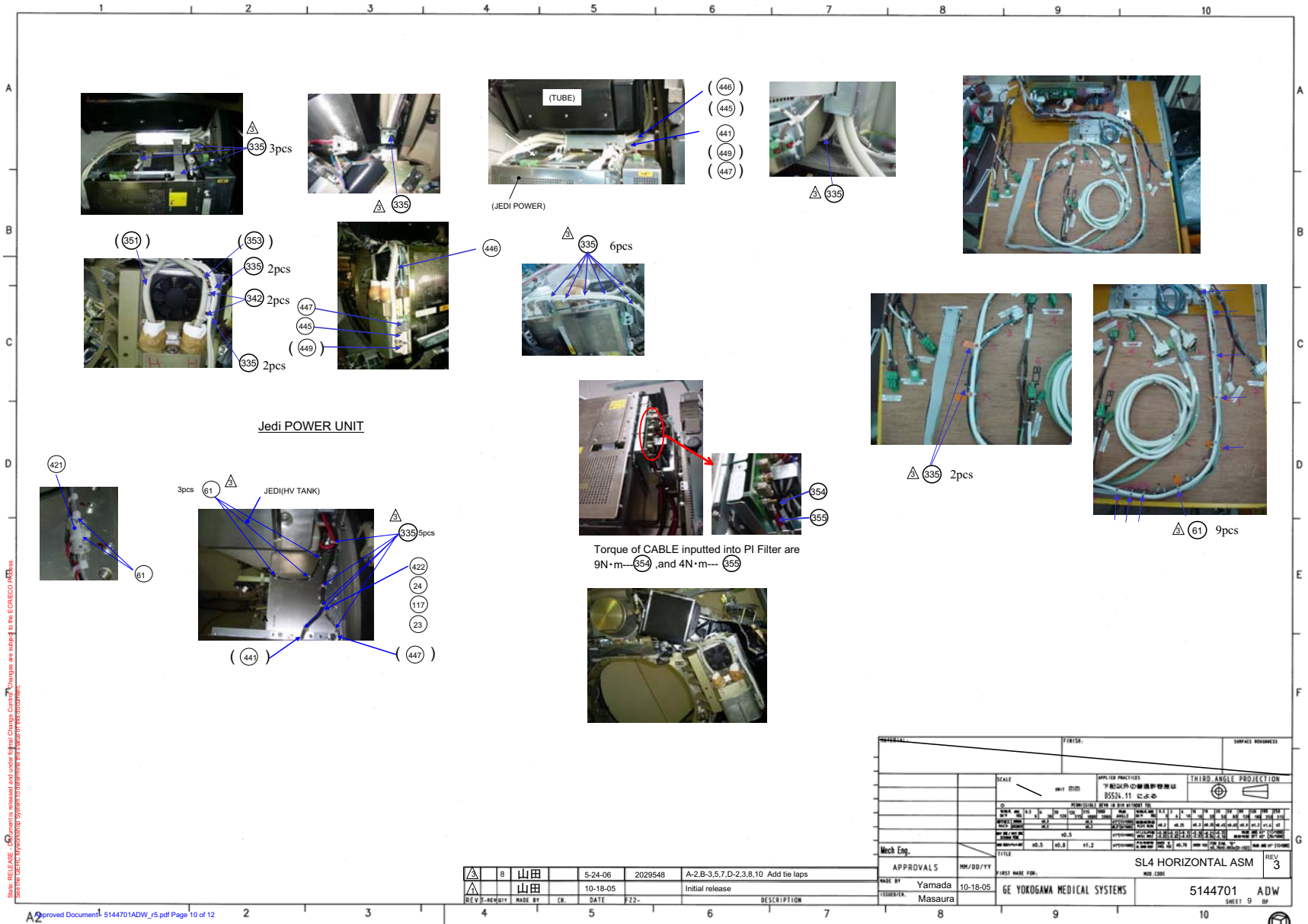


Figure 4-59 SL Gantry Horizontal Assembly-16 slices, 6.3M Tube (5144701ADW, sheet 9, rev 5)

MARK	NUMBER	QTY	FRU	DESCRIPTION/NAME
	2120104	2.0	Yes	PRESSURE PLATE FOR MOUNTING TUBE
	D3185T	1.0	Yes	PERFORMIX ULTRA TUBE UNIT WITH MOUNTING ASSEMBLY (GREEN)
2	D3186T	1.0	Yes	PERFORMIX ULTRA TUBE UNIT WITH MOUNTING ASSEMBLY RED {For further detail, see Section 3.1.14.2, beginning on page 274. }
4	5140001-4	1.0	Yes	helios 4 collimator with notched filler bar and rating plate {For further detail, see Section 3.1.14.3, beginning on page 279. }
15	2105617-4	7.0	Yes	SINGLE, TERMINATED LASER DIODE AMP CONNECTOR, 105MM LONG
23	46-328432P2	41.0	Yes	WASHER LOCK - SPRING 4.1 MM 7.6 MM ZINC PLATED, SPRING STEEL
24	46-328417P3	23.0	Yes	SCREW HEXAGON SOCKET 4 MM 10 MM ZINC PLATED, STEEL
30	46-328432P7	13.0	Yes	WASHER LOCK - SPRING 12.2 MM 21.1 MM
32	46-328417P16	6.0	Yes	SCREW HEXAGON SOCKET 6 MM 30 MM ZINC PLATED, STEEL
35	46-328417P66	43.0	Yes	SCREW HEXAGON SOCKET 12 MM 40 MM
39	2236649-5	27.0	Yes	WASHER, FLAT, ISO7089,M12, ST-HB200
45	46-328417P6	2.0	Yes	SCREW HEXAGON SOCKET 4 MM 20 MM ZINC PLATED, STEEL
50	46-328417P4	42.0	Yes	SCREW HEXAGON SOCKET 4 MM 12 MM ZINC PLATED, STEEL
57	46-208758P5	62.0	Yes	SELF LOCKING CABLE TIE
61	46-208758P10	38.0	Yes	8.00~ X .094~ SELF-LOCKING CABLE TIE 1/16~ TO 2~ WIRE BUNDLE RANGE. 18LB TENSILE STRENGTH, NYLON MATR~L. SAME AS 46-208758P7 EXCEPT RESTRICT VENDOR TO T&B. TIE MUST BE .094~ WID E. (DWG REV 5/92, JFK - OK).
70	46-328417P67	5.0	Yes	SCREW HEXAGON SOCKET 12 MM 50 MM
79	2217993	1.0	Yes	BELT SYNCHRONOUS 4400 MM 30 MM
103	46-170684P3	0.0	Yes	LOCTITE 271, 50ML BOTTLE. 12 MONTH SHELF LIFE FROM DATE OF SHIPMENT FROM THE MANUFACTURER. REV, TK, Jan 92
104	46-170686P3	0.0	Yes	LOCTITE 242, 50CC 12 MONTH SHELF LIFE FROM DATE OF SHIPMENT FROM THE MANUFACTURER.
117	46-328430P2	36.0	Yes	WASHER PLAIN - NORMAL 4.3 MM 9 MM ZINC PLATED, STEEL
125	46-328417P83	6.0	Yes	SCREW HEXAGON SOCKET 14 MM 60 MM
126	46-328432P10	6.0	Yes	WASHER LOCK - SPRING 14.2 MM 24.1 MM
127	2236649-8	6.0	Yes	WASHER, FLAT, ISO7089,M14, ST-HB200

Table 4-42 SL Gantry Horizontal Assembly-16 slices, 6.3M Tube (5144701-3) BOM, rev 7)

MARK	NUMBER	QTY	FRU	DESCRIPTION/NAME
129	46-208718P3	1.0	Yes	CLAMP, CUSHIONED, ID .375 LOOP TYPE TA MFG CORP TA713D6
132	46-208718P5	2.0	Yes	1/2~ ID LOOP TYPE, TA MFG CO TA713D8
133	2357076	1.0	Yes	HOME FLAG BRKT,H4 GANTRY {For further detail, see Section 3.1.14.4, beginning on page 294. }
135	46-328430P9	3.0	Yes	WASHER PLAIN - NORMAL 3.2 MM 7 MM
136	46-328432P11	3.0	Yes	WASHER LOCK - SPRING 3.1 MM 6.2 MM
138	46-328417P12	54.0	Yes	SCREW HEXAGON SOCKET 6 MM 12 MM ZINC PLATED, STEEL
140	2174489	1.0	Yes	DIAL INDICATOR MNTS FOR TUBE ALIGNMT
141	46-328425P1	2.0	Yes	NUT HEXAGON 4 MM
148	46-198395P1	1.0	Yes	HEX STANDOFF/NUT
149	46-198393G1	1.0	Yes	SCREW BOLT
190	2363101-3	1.0	Yes	Fuse Box ASM, GDAS EMC Edition 2 {For further detail, see Section 3.1.14.6, beginning on page 298. }
192	2294856-2	1.0	Yes	DHCB, Board-Cover Asm EMC ED2 {For further detail, see Section 3.1.14.7, beginning on page 301. }
201	5126615	1.0	Yes	ASTEC Digital PS Assembly {For further detail, see Section 3.1.14.8, beginning on page 303. }
204	5126617	1.0	Yes	ASTEC Analog PS Assembly {For further detail, see Section 3.1.14.9, beginning on page 305. }
206	46-325136P1	4.0	Yes	CABLE CLAMP,RICHCO #UMS-16-45,.37 TO 1IN DIA.,RELEASABLE,MOUNTS WITH #8
302	2120104-2	2.0	Yes	PRESSURE PLATE FOR MOUNTING TUBE
312	2378668	2.0	Yes	P2033DT 78WEIGHT-L
313	2378669	4.0	Yes	P2033DU 78WEIGHT-M
314	2378670	3.0	Yes	P2033DV 78WEIGHT-S
328	46-328417P69	5.0	Yes	SCREW HEXAGON SOCKET 12 MM 80 MM
331	46-328417P64	6.0	Yes	SCREW HEXAGON SOCKET 12 MM 30 MM
333	46-170260P2	0.0	Yes	LUBRICATING GREASE USED ON BEARINGS. LITHIUM BASED MINERAL OIL GREASE. BEIGE COLOR, 1 LB. CAN. EXTREME PRESSURE AND WATERPROOF FEAT URES. (DWG REV 4/92, JFK - OK).

Table 4-42 SL Gantry Horizontal Assembly-16 slices, 6.3M Tube (5144701-3) BOM, rev 7) (Continued)

MARK	NUMBER	QTY	FRU	DESCRIPTION/NAME
335	46-208758P3	84.0	Yes	7.31~ X .184~ SELF-LOCKING CABLE TIE 1/16~ TO 1-3/4~ WIRE BUNDLE RANGE. 50LB TENSILE STRENGTH, NYLON MATR~L.
336	46-328425P13	5.0	Yes	NUT HEXAGON 12 MM
337	U0208AC	5.0	Yes	CLAMP TC-142 TAIRATSUPU KOTEI
341	2236649-2	28.0	Yes	WASHER, FLAT, ISO7089, M6, ST-HB200
342	U0213AC	8.0	Yes	DUO RING
351	2201185-3* 5128609-8	1.0	Yes	P9230TP HV CABLE CATHODE 2.3M HV CABLE
352	5128609* 5128609-7	1.0	Yes	HV CABLE Positioning HP60 HV CABLE
353	2368445* 5128609-9	1.0	Yes	P2053RJ HVCABLE HEMIT LONG HV CABLE
354	2368628	1.0	Yes	P2053RL HVDC MINUS
355	2368449	1.0	Yes	P2053RE HVDE
401	2342902-4	4.0	Yes	THREADED ROD M16, 320 LENGTH
403	2317865-2	3.0	Yes	SPACER,180 DEG,25.4MM
404	2342895-2	13.0	Yes	WEIGHT,180 DEG,6MM
405	2342895-3	3.0	Yes	WEIGHT,180 DEG,1.5MM
406	2317863	9.0	Yes	SHIM,180 DEG,3.2MM
407	2317994	3.0	Yes	WEIGHT,TRIM
421	U0027MC	1.0	Yes	CORE
422	U0030AC	2.0	Yes	CLAMP OR CLIP CLAMP
423	U0032AC	6.0	Yes	CLAMP OLD CLAMP
425	2349589	1.0	Yes	850 MB H-POWER SLIPRING ASSEMBLY {For further detail, see Section 3.1.14.14, beginning on page 370. }
427	2286419	2.0	Yes	CAPACITOR, HV WITH RING TERMINALS

Note: *5128609-8 can replace 5128609-2/2201185-3 directly for RoHs requirement.

*5128609-7 can replace 5128609 and 2241313-2 directly.

*5128609-9 can replace 2368445 directly for RoHs requirement.

Table 4-42 SL Gantry Horizontal Assembly-16 slices, 6.3M Tube (5144701-3) BOM, rev 7) (Continued)

MARK	NUMBER	QTY	FRU	DESCRIPTION/NAME
430	2348279	2.0	Yes	CABLE RETENTION BRACKET
432	2333293	1.0	Yes	BRACKET - RECEIVER MOUNT
433	2291717	2.0	Yes	THUMB SCREW, FLAT KNURLED M5
441	2395016	1.0	Yes	HARNESS, COLLIMATOR (GDAS)
442	2215315	1.0	Yes	DAS DCB TERMINATOR
443	2333306-2	1.0	Yes	harness, laser alignment lights, with ferrite
444	2394982-5	1.0	Yes	GDAS-16 Main Harness, With ASTEC PS's {For further detail, see Section 3.1.14.15 , beginning on page 380.}
445	2368768	1.0	Yes	P2053RP JEDI POWER UNIT TO POWER INT
446	2368968	1.0	Yes	P2053RM POWER I/F BD TO JEDI FAN CAB LE
447	2377649	1.0	Yes	P2033TG CABLE, SIGNAL, DAS TO INVERT
449	2368769-2	1.0	Yes	P2053RQ JEDI TO ORP CAN CABLE ASSY Positioning HP60
450	2333308-2	1.0	Yes	cable, orp to slip ring comm, with ferrite
485	2363838-2	1.0	Yes	Harness, GDAS, Digital to DAS, ED.2 EMC
486	5124434	1.0	Yes	Cable, ASTEC Analog 5V To DAS
501	46-328417P35	2.0	Yes	SCREW HEXAGON SOCKET 16 MM 50 MM ZINC PLATED, STEEL
502	2236649-6	4.0	Yes	WASHER, FLAT, ISO7089,M16, ST-HB200
503	46-328432P5	4.0	Yes	WASHER LOCK - SPRING 16.2 MM 27.4 MM ZINC PLATED, SPRING STEEL
504	46-328425P4	4.0	Yes	NUT HEXAGON 16 MM
505	46-328420P1	2.0	Yes	SCREW BUTTON HEAD 4 MM 8 MM BLACK OXIDE, STEEL
506	46-328417P70	2.0	Yes	SCREW HEXAGON SOCKET 12 MM 100 MM
510	46-328431P2	7.0	Yes	WASHER PLAIN - LARGE 6.4 MM 18 MM ZINC PLATED, STEEL
511	46-328432P3	24.0	Yes	WASHER LOCK - SPRING 6.1 MM 11.8 MM ZINC PLATED, SPRING STEEL
512	46-328431P1	1.0	Yes	WASHER PLAIN - LARGE 4.3 MM 12 MM ZINC PLATED, STEEL
513	2275713-8	12.0	Yes	WASHER, FLAT NON STD FOR M12 20 OD
514	46-328417P65	12.0	Yes	SCREW HEXAGON SOCKET 12 MM 35 MM
515	46-328417P13	4.0	Yes	SCREW HEXAGON SOCKET 6 MM 16 MM ZINC PLATED, STEEL
516	46-328417P14	4.0	Yes	SCREW HEXAGON SOCKET 6 MM 20 MM ZINC PLATED, STEEL

Table 4-42 SL Gantry Horizontal Assembly-16 slices, 6.3M Tube (5144701-3) BOM, rev 7) (Continued)

MARK	NUMBER	QTY	FRU	DESCRIPTION/NAME
1	5144709	1.0	No	SL4 GANTRY FRAME HLA {For further detail, see Section 3.1.14.1, beginning on page 263. }
5	2121255-6	4.0	No	PINS ROUND PIN - 10MM DIA X 30MM LONG
6	2148597-4	1.0	No	ADJUSTER BLOCK
7	2148597-5	1.0	No	ADJUSTER BLOCK - H4 COLLIMATOR
18	2229774-2	2.0	No	INTERNAL LASER ASM H2
107	2349679	1.0	No	BRACKET, DIAL INDICATOR (H POWER)
134	46-328416P60	2.0	No	SCREW HEXAGON HEAD 3 MM 14 MM
137	2227383-3	1.0	No	HOME FLAG, PWB MTG, H4 GDAS GANTRY {For further detail, see Section 3.1.14.5, beginning on page 296. }
144	2360222-4	1.0	No	180 weight bracket, threaded
200	5128120	1.0	No	ASTEC Digital PS Mounting Asm.
202	2293442-4	1.0	No	BRACKET, DET. HTR. HARNESS, ASTEC P.S. GDAS
203	5128121	1.0	No	ASTEC Analog PS Mounting Asm.
205	2332018-4	1.0	No	BULKHEAD, DAS FAN HTR, GDAS
304	2371333-2	1.0	No	JEDI 60DC Generator {For further detail, see Section 3.1.14.10, beginning on page 307. }
305	5149730	1.0	No	SL4 EXTERNAL LASER ASM
306	2378655	1.0	No	P2033ED SAGITTAL LASER ASM HP60
307	2378657	1.0	No	P2033EG INTERNAL LASER ASM HP60
308	2378666	1.0	No	P2033DL POWER IF ASSY HP60 {For further detail, see Section 3.1.14.11, beginning on page 341. }
309	2370279	1.0	No	AUX-MNT
310	2370277	1.0	No	CABLE-GUIDE
311	2378667-4	1.0	No	P2033DP HEMIT MNT
315	2397799	1.0	No	P2033DW 78WEIGHT HOOK
317	5111277	1.0	No	HP60 GANTRY CABLE-TOP-BRKT
318	5111278	1.0	No	HP60 GANTRY HV-TANK-WEIGHT
319	5111279	1.0	No	HP60 GANTRY JEDI-CABLE-DUCT

Table 4-42 SL Gantry Horizontal Assembly-16 slices, 6.3M Tube (5144701-3) BOM, rev 7) (Continued)

MARK	NUMBER	QTY	FRU	DESCRIPTION/NAME
320	5111280	1.0	No	HP60 GANTRY JEDI-DUCT-COVER
322	2396108-2	1.0	No	HP60 GDAS WEIGHT BRKT
323	2396109	1.0	No	P2033CP HP60 CNTR WGT 1
324	2396110	1.0	No	P2033CQ HP60 CNT WGT 2
325	5111282-2	1.0	No	HP60 GANTRY WEIGHT-180BRKT-1-HP60G
327	5126559	3.0	No	STUD BOLT U0479AA
329	5128067	4.0	No	CAP SCREW U0480AA
400	2358133-4	1.0	No	DAS-DET PLATE ASM, 9.88 STEEL, GDAS, EMC Ed. 2 {For further detail, see Section 3.1.14.12, beginning on page 343. }
402	5113660-2	1.0	No	Spacer,180 weight stack,steel
408	5159042	1.0	No	SL4 ORP-ASM {For further detail, see Section 3.1.14.13, beginning on page 368. }
409	2348280	2.0	No	CABLE CLAMP
410	2121255-4	1.0	No	PINS ROUND PIN -10MM DIA X 25.4MM LG
411	2121255-5	1.0	No	PINS DIAMOND PIN -10MM DIA X 25,4MM LG
412	2386046	2.0	No	BRACKET, GDAS HARNESS RESTRAINT
413	2386046-2	1.0	No	GDAS bracket
415	2396998-2	1.0	No	HP60 GANTRY PLATE BRKT
416	2395130-2	1.0	No	HP60 GANTRY NOISE PRT PLT-GDAS
417	5111284	1.0	No	HP60 GANTRY PLT-GUARD-HP60G
418	5111285	1.0	No	HP60 GANTRY WEIGHT-RIGHT-HP60G
419	5111286	1.0	No	HP60 GANTRY WEIGHT-LEFT-HP60G
420	5111287	1.0	No	HP60 GANTRY WEIGHT-LEFT-BASE
424	2363500	2.0	No	ASSEMBLY, CORONAL LASER, HPOWER
426	2284954	4.0	No	COVER, SLIPRING POWER TERMINAL
428	2287894	1.0	No	EMI FERRITE FOR CABLES 12MM X 25MM
429	2152834	1.0	No	BRACKET,550V CABLE SUPPORT
431	2269320-6	1.0	No	SUPPORT BASE FOR PLATTER SR BRUSHBLK

Table 4-42 SL Gantry Horizontal Assembly-16 slices, 6.3M Tube (5144701-3) BOM, rev 7) (Continued)

MARK	NUMBER	QTY	FRU	DESCRIPTION/NAME
448	2275840-10	6.0	No	ground - braid - rotating base to generator_das base
461	5111283-2	1.0	No	HP60 GANTRY WEIGHT-180BRKT-2-HP60G
462	5159040	1.0	No	BS OPTICAL CABLE GUARD16
481	2386045	1.0	No	BRACKET, LT BACKPLANE STRAIN RELIEF
482	2386048	2.0	No	CENTER BACKPLANE CONNECTOR BRACKET
483	2386049	1.0	No	MULTI. CONNECTOR STRAIN RELIEF BRKT
484	5130042	1.0	No	Bracket, Analog PS Conn. Restraint
507	46-328417P73	1.0	No	SCREW HEXAGON SOCKET 3 MM 6 MM
517	2269013	4.0	No	RIBBED SPRING WASHER, ZINC PLATED INNER DIA. 6.4MM, OUTER DIA. 10MM

Table 4-42 SL Gantry Horizontal Assembly-16 slices, 6.3M Tube (5144701-3) BOM, rev 7) (Continued)

3.1.14.1 SL4 Gantry Frame HLA (5144709)

FRU = NO

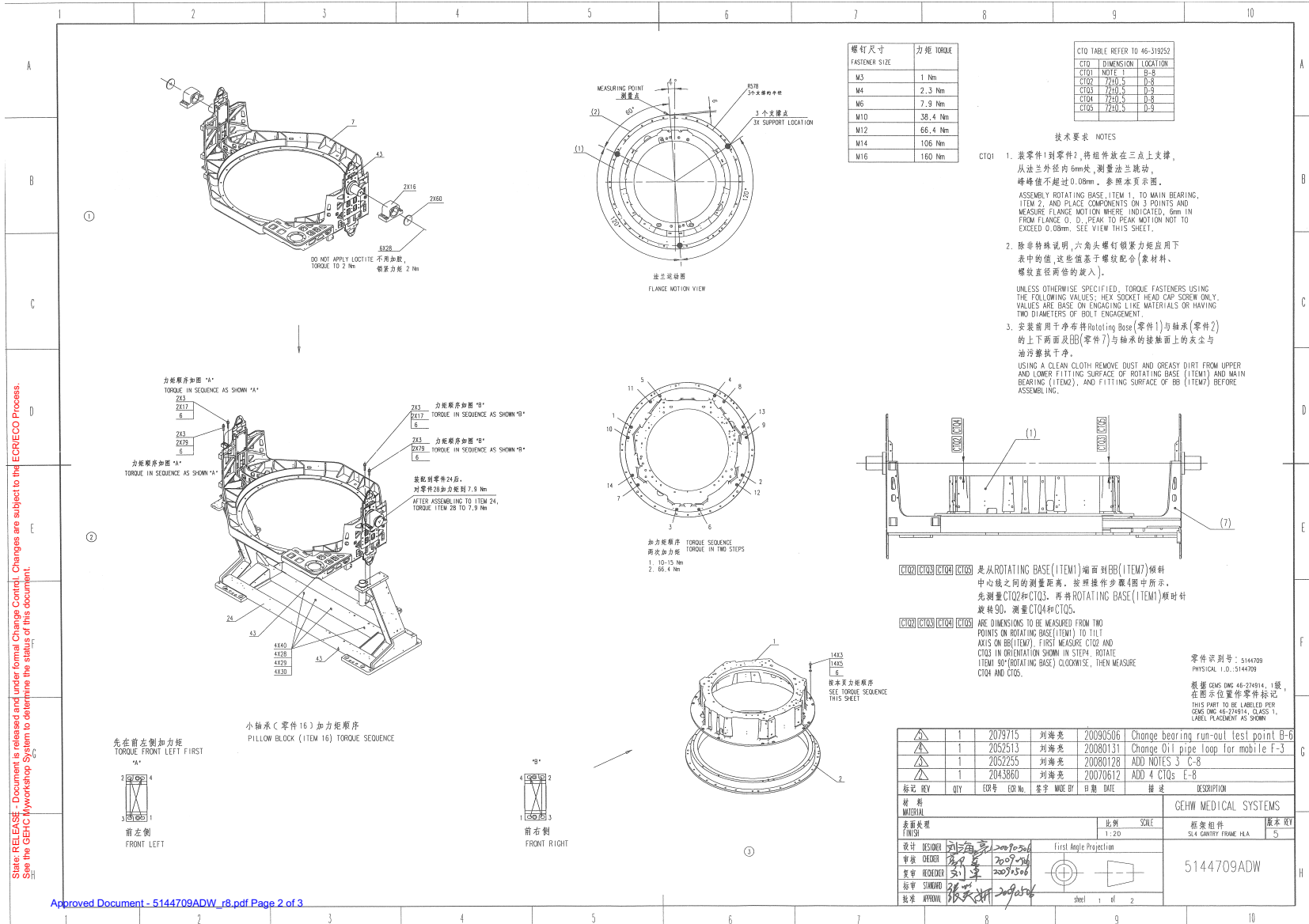


Figure 4-62 SL4 Gantry Frame HLA (5144709ADW, sheet 1, rev 8)

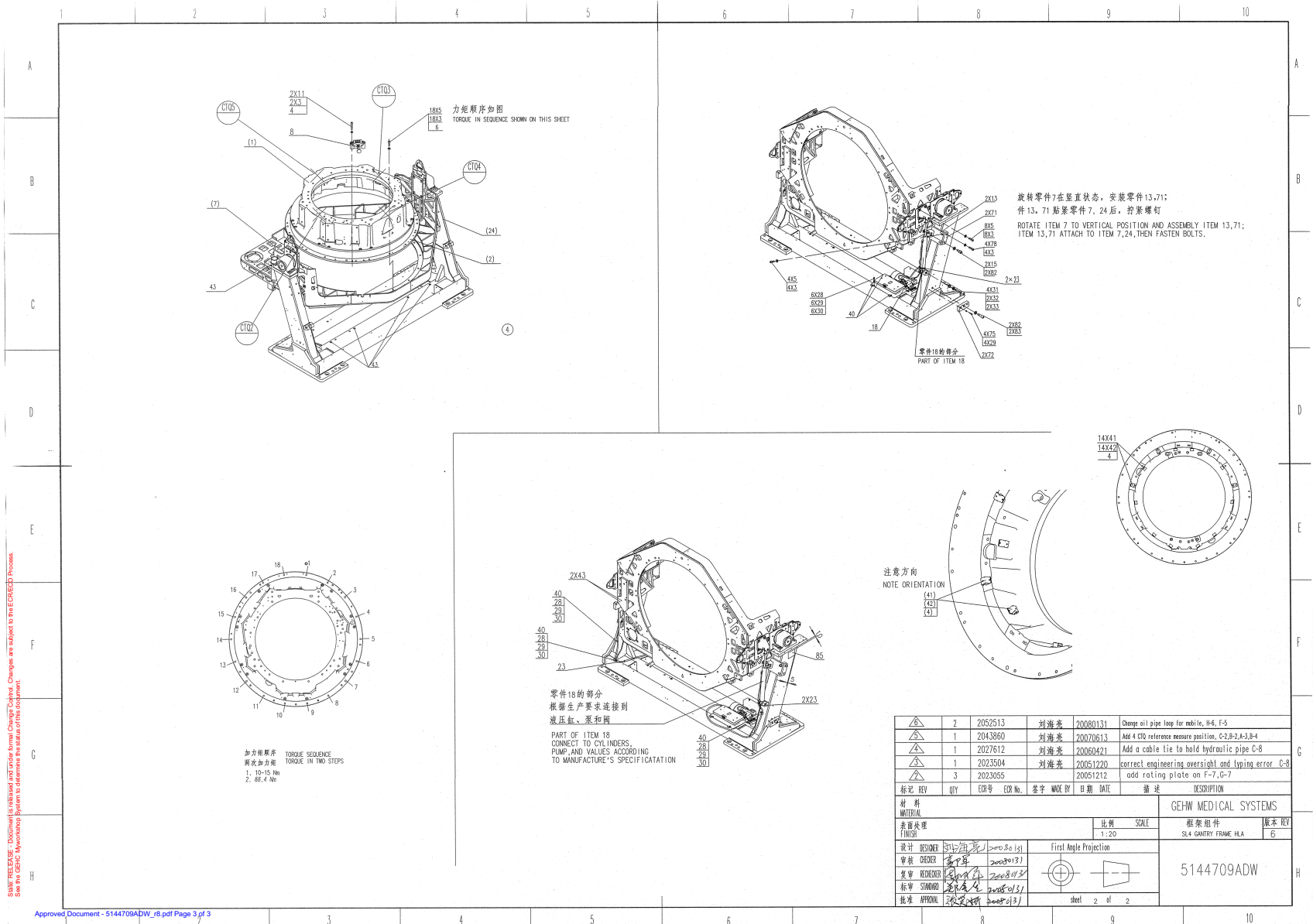


Figure 4-63 SL4 Gantry Frame HLA (5144709ADW, sheet 2, rev 8)

MARK	NUMBER	QTY	FRU	DESCRIPTION/NAME
	2181221-2	1.0	Yes	INDEXER/ROTATING LOCK ASS~Y (H4)
3	2236649-5	58.0	Yes	WASHER, FLAT, ISO7089,M12, ST-HB200
4	46-170686P3	0.0	Yes	LOCTITE 242, 50CC 12 MONTH SHELF LIFE FROM DATE OF SHIPMENT FROM THE MANUFACTURER.
5	46-328417P65	44.0	Yes	SCREW HEXAGON SOCKET 12 MM 35 MM
6	46-170684P3	0.0	Yes	LOCTITE 271, 50ML BOTTLE. 12 MONTH SHELF LIFE FROM DATE OF SHIPMENT FROM THE MANUFACTURER. REV, TK, Jan 92
8	5154741-2	1.0	Yes	Assembly, Position Lock Low Cost H4 {For further detail, see Section , beginning on page 268. }
11	46-328417P69	2.0	Yes	SCREW HEXAGON SOCKET 12 MM 80 MM
15	46-328417P31	2.0	Yes	SCREW HEXAGON SOCKET 16 MM 25 MM ZINC PLATED, STEEL
17	46-328417P68	4.0	Yes	SCREW HEXAGON SOCKET 12 MM 60 MM
18	5147163	1.0	Yes	SL4 HYDRAULIC TILT MOTOR {For further detail, see Section , beginning on page 270. }
23	46-208758P3	5.0	Yes	7.31~ X .184~ SELF-LOCKING CABLE TIE 1/16~ TO 1-3/4~ WIRE BUNDLE RANGE. 50LB TENSILE STRENGTH, NYLON MATR~L.
28	46-328417P13	19.0	Yes	SCREW HEXAGON SOCKET 6 MM 16 MM ZINC PLATED, STEEL
29	2236649-2	17.0	Yes	WASHER, FLAT, ISO7089, M6, ST-HB200
30	46-328432P3	13.0	Yes	WASHER LOCK - SPRING 6.1 MM 11.8 MM ZINC PLATED, SPRING STEEL
42	46-328420P1	14.0	Yes	SCREW BUTTON HEAD 4 MM 8 MM BLACK OXIDE, STEEL
75	46-328417P15	4.0	Yes	SCREW HEXAGON SOCKET 6 MM 25 MM ZINC PLATED, STEEL
78	46-328417P66	4.0	Yes	SCREW HEXAGON SOCKET 12 MM 40 MM
79	46-328417P67	4.0	Yes	SCREW HEXAGON SOCKET 12 MM 50 MM
82	2236649-6	4.0	Yes	WASHER, FLAT, ISO7089,M16, ST-HB200
83	46-328417P36	2.0	Yes	SCREW HEXAGON SOCKET 16 MM 60 MM ZINC PLATED, STEEL
1	2346089-4	1.0	No	ROTATING BASE AL_THK_FLANGE_MECH-LCC
2	5112551	1.0	No	Main Bearing, Generic, H4, SG, and VCT
7	5127485	1.0	No	SL4 BEARING BRACKET

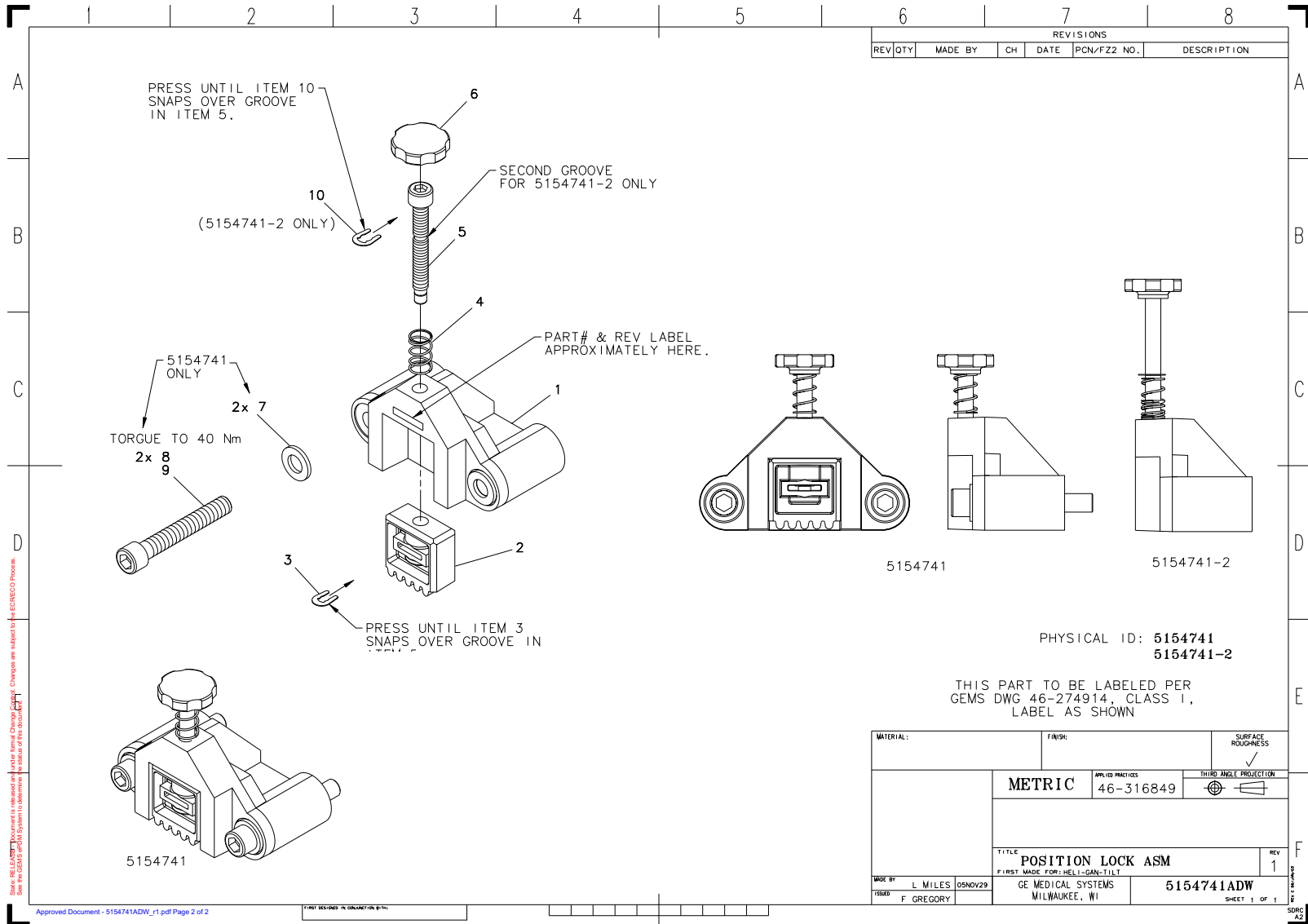
Table 4-43 SL4 Gantry Frame HLA (5144709 BOM, rev 13)

MARK	NUMBER	QTY	FRU	DESCRIPTION/NAME
13	5127106	2.0	No	SL4 SHIPPING BRKT WELDMENT
16	5129177	2.0	No	SL4 PILLOW BLOCK ASM
24	5127104	1.0	No	SL4 STATIONARY BASE
31	2365920	4.0	No	BUSHING,ACETAL,FOR HYDRAULIC CLY
32	2214911	2.0	No	TILT HYDRAULIC PIN
33	99018553	2.0	No	RETAINING RING C-RING - BORE 17 MM
40	5272386	10.0	No	Oil pipe loop for BSD Mobile Gantry
41	2348280	14.0	No	CABLE CLAMP
43	46-297705P15	10.0	No	.138 X .375 METALLIC CONDUCTIVE TAPE
60	2359497	2.0	No	PLATE,PILLOW BLOCK CLAMPING
71	5144765	2.0	No	SL4 SHIPPING PLATE
72	5145713	2.0	No	SL4 GANTRY DOLLY PLATE
85	5165921	1.0	No	SL4 GANTRY FRAME HLA RATING PLATE

Table 4-43 SL4 Gantry Frame HLA (5144709 BOM, rev 13) (Continued)

Assembly, Position Lock Low Cost H4 (5154741-2)

FRU = YES



REVISIONS						
REV	QTY	MADE BY	CH	DATE	PCN/FZ2 NO.	DESCRIPTION

PHYSICAL ID: 5154741
5154741-2

THIS PART TO BE LABELED PER
GEMS DWG 46-274914, CLASS 1,
LABEL AS SHOWN

MATERIAL:	FINISH:	SURFACE ROUGHNESS
METRIC	APPLIES PRACTICES 46-316849	THIRD ANGLE PROJECTION
TITLE POSITION LOCK ASM		REV 1
MADE BY L. MILES	OSNOV29	FIRST MADE FOR: HELIX-GAN-TILT
ISSUED F. GREGORY	GE MEDICAL SYSTEMS MILWAUKEE, WI	5154741ADW SHEET 1 OF 1

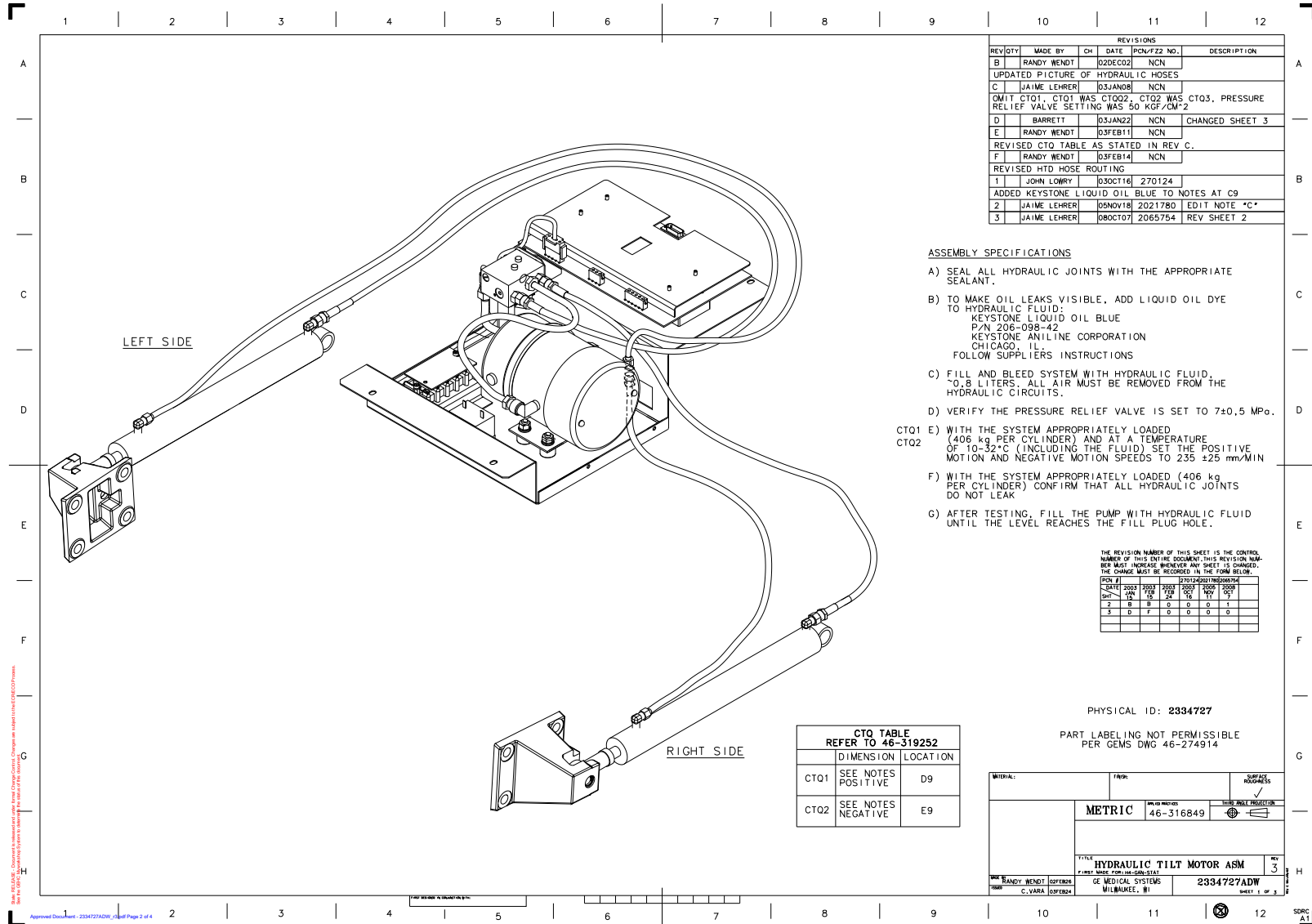
Figure 4-64 Assembly, Position Lock Low Cost H4 (5154741ADW, sheet 1, rev 1)

MARK	NUMBER	QTY	FRU	DESCRIPTION/NAME
4	46-136353P111	1.0	Yes	SPRING-INCH SPRING FREE LG 1.00 RATE LB/IN 10.0
6	2264861	1.0	Yes	ROSETTE KNOB FOR AN M10 SCREW
1	5161869	1.0	No	Position Lock Base Investment
2	5154865	1.0	No	Sliding Plate Lock
3	2211767	1.0	No	RETAINING RING U-CLIP 8 MM
5	2181228-2	1.0	No	SAFETY LOCKING PIN-INDEXER, LONG VER
10	2211767-2	1.0	No	RETAINING RING U-CLIP 9,5 MM

Table 4-44 Assembly, Position Lock Low Cost H4 (5154741-2 BOM, rev 1)

SL4 Hydraulic Tilt Motor (5147163)

FRU = YES



REVISIONS						
REV	QTY	MADE BY	CH	DATE	PCN/TTZ NO.	DESCRIPTION
B		RANDY WENDT		02DEC02		NCN
UPDATED PICTURE OF HYDRAULIC HOSES						
C		JAIME LEHRER		03JAN08		NCN
OMIT CTQ1, CTQ1 WAS CTQ02, CTQ2 WAS CTQ3, PRESSURE RELIEF VALVE SETTING WAS 50 KGF/CM ²						
D		BARRETT		03JAN22		NCN
CHANGED SHEET 3						
E		RANDY WENDT		03FEB11		NCN
REVISED CTQ TABLE AS STATED IN REV. C.						
F		RANDY WENDT		03FEB14		NCN
REVISED HTD HOSE ROUTING						
1		JOHN LOWRY		03OCT16		270124
ADDED KEYSTONE LIQUID OIL BLUE TO NOTES AT C9						
2		JAIME LEHRER		05NOV18		2021780
EDIT NOTE *C*						
3		JAIME LEHRER		08OCT07		2065754
REV SHEET 2						

ASSEMBLY SPECIFICATIONS

- A) SEAL ALL HYDRAULIC JOINTS WITH THE APPROPRIATE SEALANT.
- B) TO MAKE OIL LEAKS VISIBLE, ADD LIQUID OIL DYE TO HYDRAULIC FLUID.
KEYSTONE LIQUID OIL BLUE
P/N 206-098-42
KEYSTONE ANILINE CORPORATION
CHICAGO, IL.
FOLLOW SUPPLIERS INSTRUCTIONS
- C) FILL AND BLEED SYSTEM WITH HYDRAULIC FLUID, ~0.8 LITERS. ALL AIR MUST BE REMOVED FROM THE HYDRAULIC CIRCUITS.
- D) VERIFY THE PRESSURE RELIEF VALVE IS SET TO 7±0.5 MPa.
- CTQ1 E) WITH THE SYSTEM APPROPRIATELY LOADED (406 kg PER CYLINDER) AND AT A TEMPERATURE OF 10-32°C (INCLUDING THE FLUID) SET THE POSITIVE MOTION AND NEGATIVE MOTION SPEEDS TO 235 ±25 mm/MIN
- CTQ2 F) WITH THE SYSTEM APPROPRIATELY LOADED (406 kg PER CYLINDER) CONFIRM THAT ALL HYDRAULIC JOINTS DO NOT LEAK
- G) AFTER TESTING, FILL THE PUMP WITH HYDRAULIC FLUID UNTIL THE LEVEL REACHES THE FILL PLUG HOLE.

THE REVISION NUMBER OF THIS SHEET IS THE CONTROL NUMBER OF THIS ENTIRE DOCUMENT. THIS REVISION NUMBER MUST INDICATE WHETHER ANY SHEET IS CHANGED. THE CHANGE MUST BE RECORDED IN THE FORM BELOW.

REV	DATE	2007	2008	2009	2010	2011	2012	2013	2014	2015	2016	2017	2018	2019	2020
1															
2															
3															

CTQ TABLE REFER TO 46-319252		
CTQ	DIMENSION	LOCATION
CTQ1	SEE NOTES POSITIVE	D9
CTQ2	SEE NOTES NEGATIVE	E9

PHYSICAL ID: 2334727

PART LABELING NOT PERMISSIBLE
PER GEMS DWG 46-274914

MATERIAL:	FROM:	SURFACE ROUGHNESS:
METRIC		INSPECTION
P/N 46-316849		
TITLE HYDRAULIC TILT MOTOR ASM		
P/N 2334727ADW		REV 3
C. VARA		GE MEDICAL SYSTEMS MILWAUKEE, WI
2334727ADW		SHEET 1 OF 3

Figure 4-65 SL4 Hydraulic Tilt Motor (2334727ADW, sheet 1, rev 3)

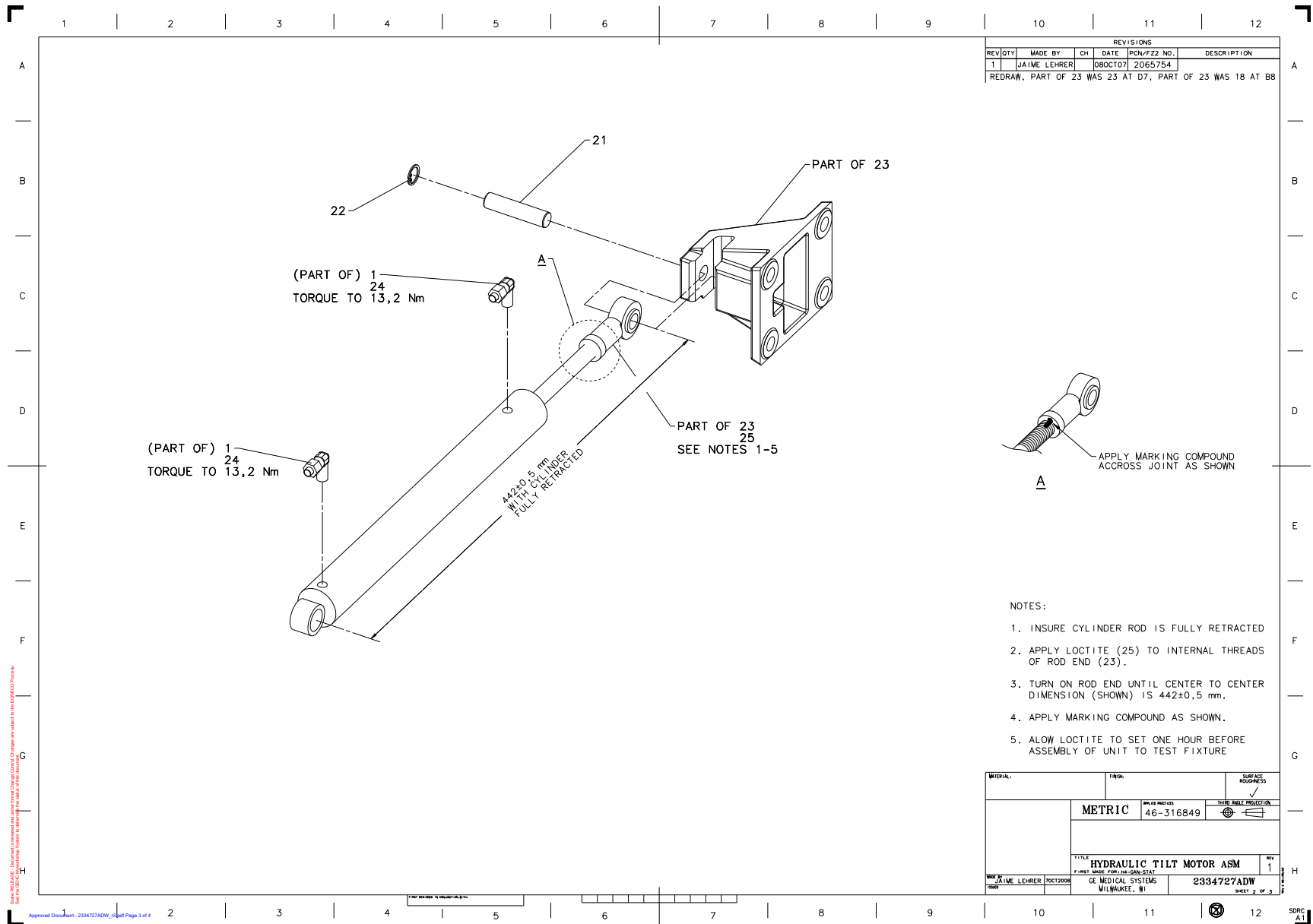


Figure 4-66 SL4 Hydraulic Tilt Motor (2334727ADW, sheet 2, rev 3)

MARK	NUMBER	QTY	FRU	DESCRIPTION/NAME
4	2340233	1.0	Yes	HPOWER GTFR
6	46-177502G41	1.0	Yes	GROUNDING STRAP
9	46-328417P2	2.0	Yes	SCREW HEXAGON SOCKET 4 MM 8 MM ZINC PLATED, STEEL
10	46-328430P2	6.0	Yes	WASHER PLAIN - NORMAL 4.3 MM 9 MM ZINC PLATED, STEEL
11	46-328432P2	4.0	Yes	WASHER LOCK - SPRING 4.1 MM 7.6 MM ZINC PLATED, SPRING STEEL
12	46-328425P1	6.0	Yes	NUT HEXAGON 4 MM
17	46-208758P2	2.0	Yes	5.5~ X .140~ SELF-LOCKING CABLE TIE. 1/16~ TO 1-1/4~ WIRE BUNDLE RANGE. 30LB TENSILE STRENGTH, NYLON MATR~L.
23	2203148-2	2.0	Yes	U0906AP ROD END
24	46-252065P19	0.0	Yes	TEFLON TAPE .50 WIDE
25	46-170684P2	0.0	Yes	LOCTITE 271, 10CC BOTTLE 12 MONTH SHELF LIFE FROM DATE OF SHIPMENT FROM THE MANUFACTURER. (REV, TK, 1/92).
26	2336572	1.0	Yes	HARNESS- HYDRAULIC MOTOR TO CONTROL!
27	2227239	1.0	Yes	HYDRAULIC OIL
30	2209269-3	2.0	Yes	STANDOFF FEMALE/FEMALE M4 X 16
1	2367199	1.0	No	YMS TILT HYD ASM KIT,H-POWER
2	2334081	1.0	No	PAN, HYDRAULIC MOTOR, HPWR
5	2358567	1.0	No	LEXAN COVER
7	2209282-5	4.0	No	HEX STANDOFF MALE/FEMALE M4 X 40MM
14	46-328417P73	2.0	No	SCREW HEXAGON SOCKET 3 MM 6 MM
15	2383376	1.0	No	TERMINAL, BLOCK,DOUBLE ROW 8-32 SCRW
18	5127105	2.0	No	SL4 MOUNT UPPER TILT HYDRAULICS
21	2214911	2.0	No	TILT HYDRAULIC PIN
22	99018553	2.0	No	RETAINING RING C-RING - BORE 17 MM
28	2359047	1.0	No	LEXAN COVER TERMINAL
29	46-312577P23	2.0	No	SCREW HEAD CAP SCREW STEEL ZINC PLATED (FULL THREAD) PROPERTY CLASS 8.8
31	2369935	1.0	No	SPACER BRACKET

Table 4-45 SL4 Hydraulic Tilt Motor (5147163 BOM, rev 4)

3.1.14.2 Performix Ultra Tube Unit with Mouting Assembly (D3186T)

FRU = YES

MARK	NUMBER	QTY	FRU	DESCRIPTION/NAME
2	2174382	0.0	Yes	SHIPPING BOX, GEMINI/PERFORMIX
3	46-310284G1	1.0	Yes	X-RAY TUBE FIELD STRAPPING KIT. TO INCLUDE 2X 14 INCH LONG, .50 INCH WIDE PLASTIC STRAPPING SIDNODE CORP. PART NUMBER 844, 2X 50SL BUCKLES SIDNODE PART NUMBER 472A, 1X ASSEMBLY PROCEDURE DRAWING AND 1X 9 INCH X 12 INCH PLASTI
5	2393720	1.0	Yes	SERVICE TAG
6	46-000030F3835	0.0	Yes	F3835 TUBE INSTALLATION LOG STICKER
7	2358145	1.0	Yes	~GOOD TO STOCK~ QUALITY SEAL
11	5111157-2	2.0	Yes	wrap around weight label for D3186T gemini 2 TUBE UNIT shipping box. 2.5 inches x 10 inches light blue background with black lettering.
12	5144477	1.0	Yes	SHIPPING CONTAINER
16	2391264-4	1.0	Yes	LightSpeed Gantry Bolt Mounting Kit
1	5111363-4	1.0	No	PERFORMIX LIGHTSPEED RED RELOADED TUBE UNIT AND GANTRY MOUNTING BRACKET ASSEMBLY. {For further detail, see Section , beginning on page 276.}
4	5212338	1.0	No	China RoHS Hazardous Substance Table and Technical Explanation
17	5150645	1.0	No	Caution label for Performix shipping crates
18	5313553	1.0	No	MX200 Focal Spot Compliance Sheet

Table 4-46 Performix Ultra Tube Unit with Mouting Assembly (D3186T BOM, rev 6)

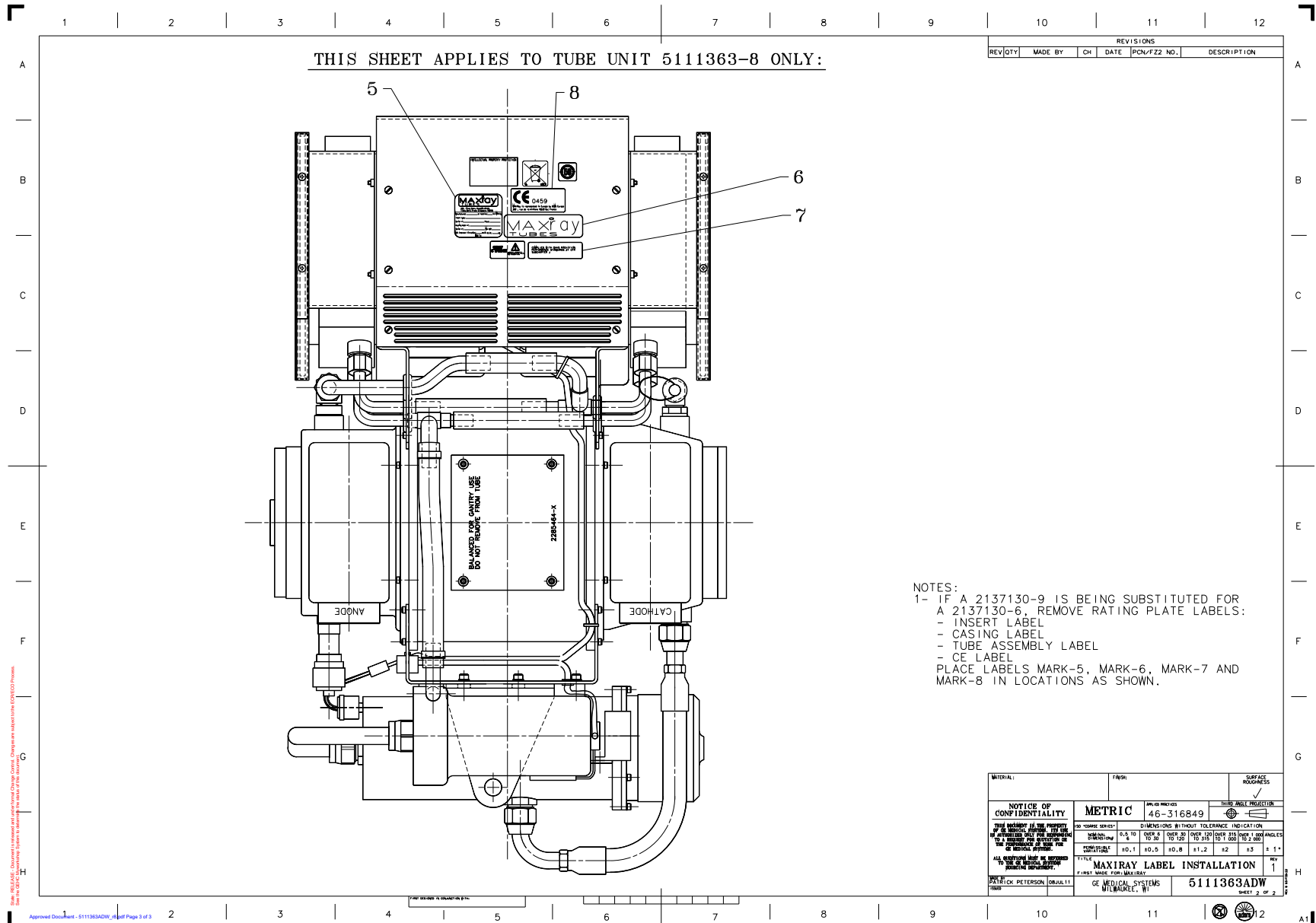


Figure 4-69 Performix LightSpeed Tube Unit and Gantry Mounting Bracket Assembly (5111363ADW, sheet 1, rev 8)

MARK	NUMBER	QTY	FRU	DESCRIPTION/NAME
1	2137130-9	1.0	No	Reload Performix Lightspeed with extruded casing and barrel nuts
2	2128696-2	1.0	No	Re-used Gemini Mounting Plate Assembly
3	5136529	1.0	No	Performix Tube Barrel Nut Mounting Hardware Kit
4	5112609	2.0	No	performix mounting plate removal warning label

Table 4-47 Performix LightSpeed Tube Unit and Gantry Mounting Bracket Assembly (5111363-4 BOM, rev 6)

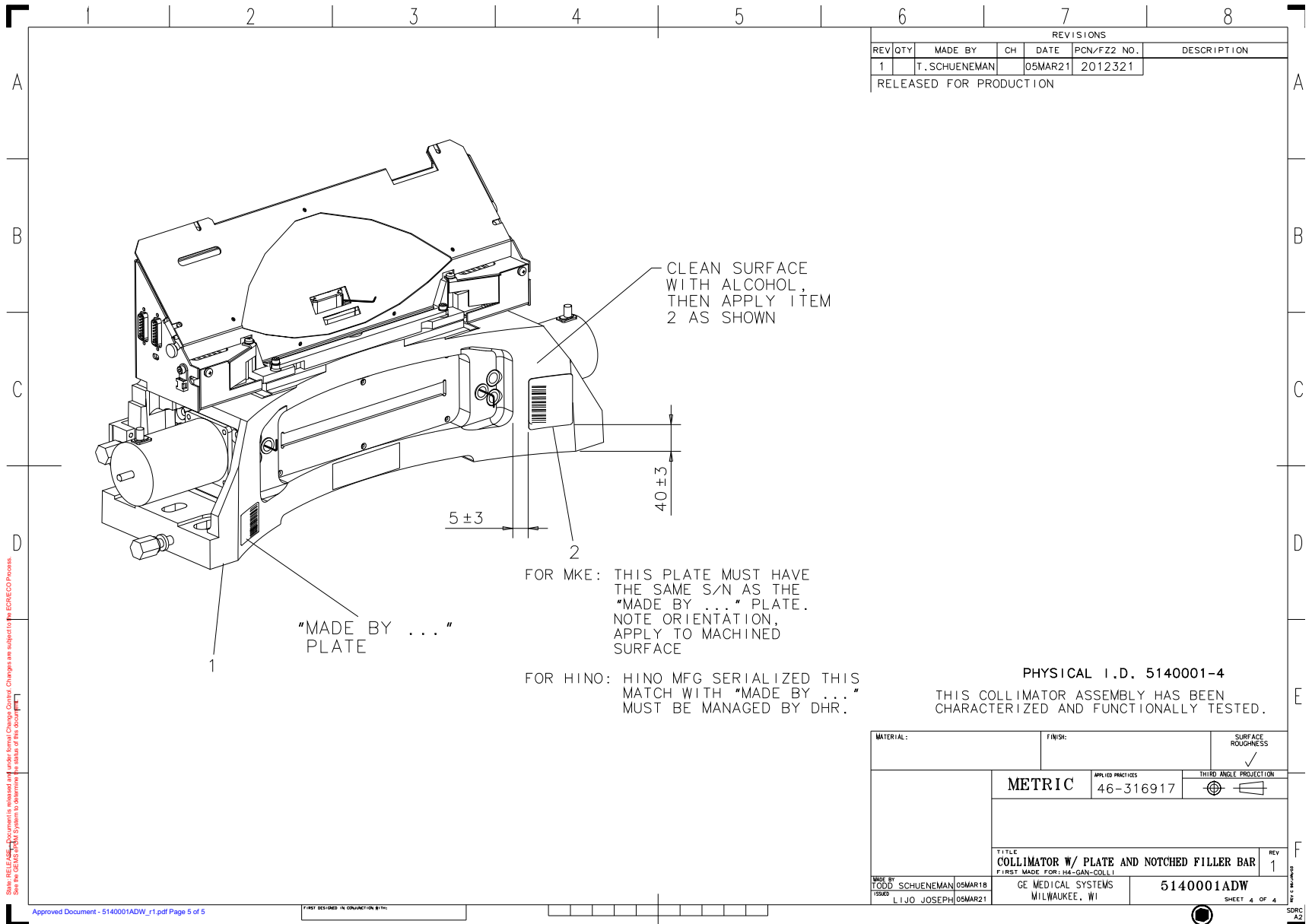


Figure 4-71 Helios 4 Collimator with notched Filler Bar and Rating Plate (5140001ADW, sheet 4, rev 1)

MARK	NUMBER	QTY	FRU	DESCRIPTION/NAME
	5134695	1.0	Yes	notched filler bar asm
	5331736	1.0	Yes	Helios Filter Asselmbly FRU
2	46-302200P7	1.0	Yes	SERIAL #, MODEL# DESCRIPTION & MANUFACTURED DATE 2.25 X 1.40 PLATE
1	5140000-4	1.0	No	helios 4 collimator with notched filler bar {For further detail, see Section , beginning on page 282.}

Table 4-48 Helios 4 Collimator with notched Filler Bar and Rating Plate (5140001-4 BOM, rev 9)

Helios 4 Collimator with notched Filler Bar (5140000-4)

FRU = NO

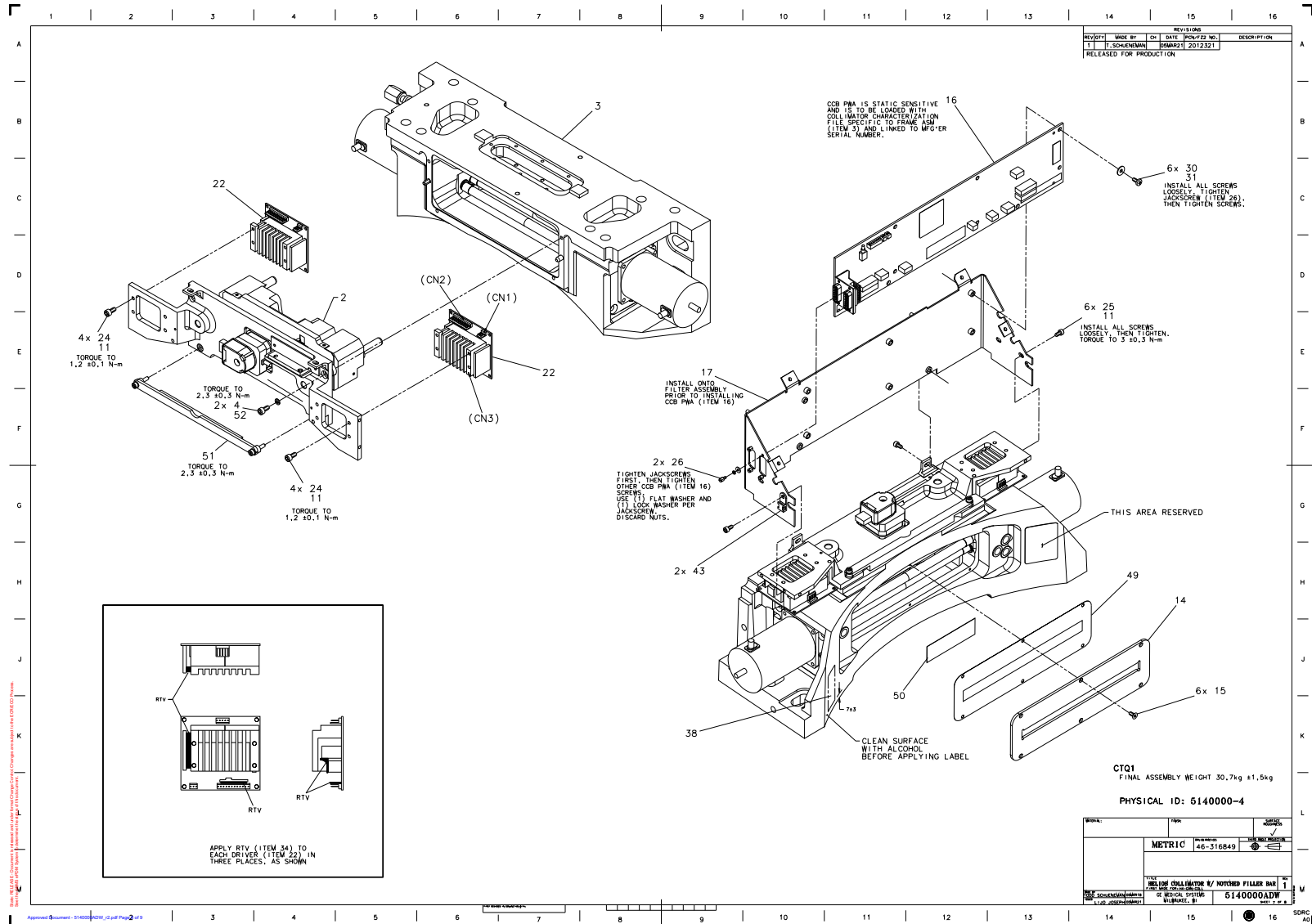


Figure 4-72 Helios 4 Collimator with notched Filler Bar (5140000ADW, sheet 7, rev 2)

MARK	NUMBER	QTY	FRU	DESCRIPTION/NAME
4	46-328417P4	2.0	Yes	SCREW HEXAGON SOCKET 4 MM 12 MM ZINC PLATED, STEEL
8	46-313583P3	3.0	Yes	M5 X 0.8 5.987 SHLDR DIA 5.013 SHLDR LNGTH SLOTTED HD ST STL
9	2120094	2.0	Yes	COLLIMATOR ADJUSTING SCREW
10	2103580-3	2.0	Yes	SCREW COUNTERSUNK HEA 4 MM 12 MM CAP SCREWS BLACK OXIDE, STEEL
11	46-170686P2	0.0	Yes	LOCTITE 242, 10CC 12 MONTH SHELF LIFE FROM DATE OF SHIPMENT FROM THE MANUFACTURER
12	46-170623P2	0.0	Yes	BLACK, HEAVY-DUTY LUBRICATING PASTE. (1 PINT CAN) SHELF LIFE, UNDER NORMAL STORAGE CON DITIONS, HAS NO KNOWN LIMITS. (DWG REV 6/92, JFK - OK).
13	2120111	1.0	Yes	PRIMARY APERTURE - LEAD
14	2120115	1.0	Yes	SECONDARY APERTURE - LEAD
15	46-328422P4	14.0	Yes	SCREW COUNTERSUNK HEA 2.5 MM 6 MM C~SUNK FLAT HEAD ZINC PLATED, STEEL
16	2159578-3	1.0	Yes	COLLIMATOR CONTROL BOARD
17	2286437	1.0	Yes	PWB MOUNTING COLLI
19	2286438	1.0	Yes	PWB COLLIMATOR HOTEL
20	2126849	1.0	Yes	FILTER ENCODER TO CCB
21	2286431	1.0	Yes	DRIVER COLLI LEFT
22	2125453-3	2.0	Yes	HELIOS COLLIMATOR, CAM MOTOR DRIVER ONLY
23	2125241	2.0	Yes	CAM MOTOR DRIVER TO CCB
24	46-312577P5	8.0	Yes	HEAD CAP SCREW STEEL ZINC PLATED (FULL THREAD) PROPERTY CLASS 8.8
25	46-328417P2	6.0	Yes	SCREW HEXAGON SOCKET 4 MM 8 MM ZINC PLATED, STEEL
26	46-221417P1	2.0	Yes	FEMALE SCREWLOCKS, TWO PER KIT FOR HD CONNECTORS 4-40 THREAD 0.5 OVERALL LENGTH, YELLOW CHROMATE 0.312 BOTTOM, 0.062 PANEL THK. MAX KIT INCLUDES NUTS AND WASHERS
28	46-328421P4	2.0	Yes	SCREW PAN HEAD 2.5 MM 6 MM ZINC PLATED, STEEL
29	2211929	1.0	Yes	POWER HARNESS
30	2103585	14.0	Yes	SCREW PAN HEAD 4 MM 8 MM SPRING WASHER, ZINC PLATED, STEEL
31	46-328430P2	6.0	Yes	WASHER PLAIN - NORMAL 4.3 MM 9 MM ZINC PLATED, STEEL

Table 4-49 Helios 4 Collimator with notched Filler Bar (5140000-4 BOM, rev 13)

MARK	NUMBER	QTY	FRU	DESCRIPTION/NAME
34	46-170137P1	0.0	Yes	RTV-162 NON-CORROSIVE ADHESIVE. ONE-PART SILICON RUBBER, WHITE COLOR 2.8 OZ. TUBE LANT. CURES AT ROOM TEMPERATURE.
35	46-328434P1	2.0	Yes	WASHER LOCK - INTERNAL 2.7 MM 5.5 MM ZINC PLATED, SPRING STEEL
36	46-208747P1	2.0	Yes	ADHESIVE MOUNT - CABLE TIE PANDUIT CORP, ABMM-A(STYLE A)
37	46-208758P1	6.0	Yes	3.62~ X .094~ CABLE TIE 1/16~ TO 5/8~ WIRE BUNDLE RANGE 18LB TENSILE STRENGTH, NYLON MATR'L.
39	2286431-2	1.0	Yes	DRIVER COLLI RIGHT
42	2148597-3	1.0	Yes	ADJUSTER BLOCK TAP~D THRU HOLE
43	46-208750P1	2.0	Yes	CABLE TIE ANCHOR
46	2367406	1.0	Yes	INTERPOSER PLATE - H4 COLLIMATOR
51	5134695	1.0	Yes	notched filler bar asm
52	46-328432P2	2.0	Yes	WASHER LOCK - SPRING 4.1 MM 7.6 MM ZINC PLATED, SPRING STEEL
2	2291958	1.0	No	HELIOS 3 FILTER ASSEMBLY {For further detail, see Section , beginning on page 286.}
3	2273645-3	1.0	No	H4 COLLIMATOR BASE ASM {For further detail, see Section , beginning on page 290.}
33	2214773	1.0	No	CCB LED LABEL, HELIOS COLLIMATOR
38	5154769	1.0	No	label-mfg-helios-colli
49	2373860	1.0	No	COLLIMATOR WINDOW - SECONDARY
50	46-271110P6	1.0	No	~READ ALL APPLICABLE DOCUMENTATION~

Table 4-49 Helios 4 Collimator with notched Filler Bar (5140000-4 BOM, rev 13) (Continued)

MARK	NUMBER	QTY	FRU	DESCRIPTION/NAME
6	2284854-2	1.0	Yes	Stepper motor with lead screw
18	2126848	1.0	Yes	FILTER HOME SWITCH TO CCB
20	46-328422P5	4.0	Yes	SCREW COUNTERSUNK HEA 2.5 MM 8 MM C~SUNK FLAT HEAD ZINC PLATED, STEEL
21	46-328421P6	1.0	Yes	SCREW PAN HEAD 2.5 MM 10 MM ZINC PLATED, STEEL
22	46-328421P8	2.0	Yes	SCREW PAN HEAD 2.5 MM 16 MM ZINC PLATED, STEEL
27	46-170686P2	0.0	Yes	LOCTITE 242, 10CC 12 MONTH SHELF LIFE FROM DATE OF SHIPMENT FROM THE MANUFACTURER
28	46-170684P2	0.0	Yes	LOCTITE 271, 10CC BOTTLE 12 MONTH SHELF LIFE FROM DATE OF SHIPMENT FROM THE MANUFACTURER. (REV, TK, 1/92).
30	46-170623P2	0.0	Yes	BLACK, HEAVY-DUTY LUBRICATING PASTE. (1 PINT CAN) SHELF LIFE, UNDER NORMAL STORAGE CONDITIONS, HAS NO KNOWN LIMITS. (DWG REV 6/92, JFK - OK).
32	46-170015P41	4.0	Yes	SCREW SCREW OLD F70B5A ZINC PL
33	46-328430P1	3.0	Yes	WASHER PLAIN - NORMAL 2.7 MM 6 MM ZINC PLATED, STEEL
34	46-328432P1	1.0	Yes	WASHER LOCK - SPRING 2.6 MM 5.1 MM ZINC PLATED, SPRING STEEL
40	46-328421P4	2.0	Yes	SCREW PAN HEAD 2.5 MM 6 MM ZINC PLATED, STEEL
41	46-328421P2	6.0	Yes	SCREW PAN HEAD 2.5 MM 4 MM ZINC PLATED, STEEL
42	46-214932P6	0.0	Yes	LOCTITE 603
2	2292479	1.0	No	FILTER MOUNT MACH COLLI H3
3	2120099	1.0	No	ALUMINUM FILTER, HELIOS
4	2120102	1.0	No	GRAPHITE FILTER, HELIOS
5	2121991	2.0	No	LINEAR BEARING SHAFT
8	2286436	1.0	No	MOTOR LEAD SEREV
10	46-170148P12	4.0	No	BORE 0.3750 OD 0.6250 LG 0.875 BALL DIA 1/16 CIRCUITS 4 ROLLING LOAD (LBS) 0037 MAX THOMSON A-61014 PRECISION
11	2122271	1.0	No	SWITCH PLATE FOR FILTER
12	2125243	1.0	No	OPTICAL, 500 LINE, 5MM SHAFT MOUNT
13	2213528	1.0	No	COLLIMATOR COPPER FILTER FOR HELIOS
14	2213736	2.0	No	SCREW HEXAGON SOCKET 4 MM 4 MM

Table 4-50 Helios 3 Filterl Assembly (2291958 BOM, rev 5)

MARK	NUMBER	QTY	FRU	DESCRIPTION/NAME
16	46-136334P75	1.0	No	4 AMP, 125 VOLT ROLLER LEVER SWITCH
31	46-328421P506	3.0	No	SCREW PAN HEAD 1.6 MM 4 MM
35	2188216-2	1.0	No	SHIELD, FILTER MOTOR
36	2188216	1.0	No	LEAD SHIELD ON FILTER FRAME
37	2188214	1.0	No	LEAD SHIELD ON BACK OF ALUM FILTER
39	2189842	1.0	No	LEAD SHIELD COVERING HOME SWITCH
43	5336680	1.0	No	label, filter assembly

Table 4-50 Helios 3 FilterI Assembly (2291958 BOM, rev 5) (Continued)

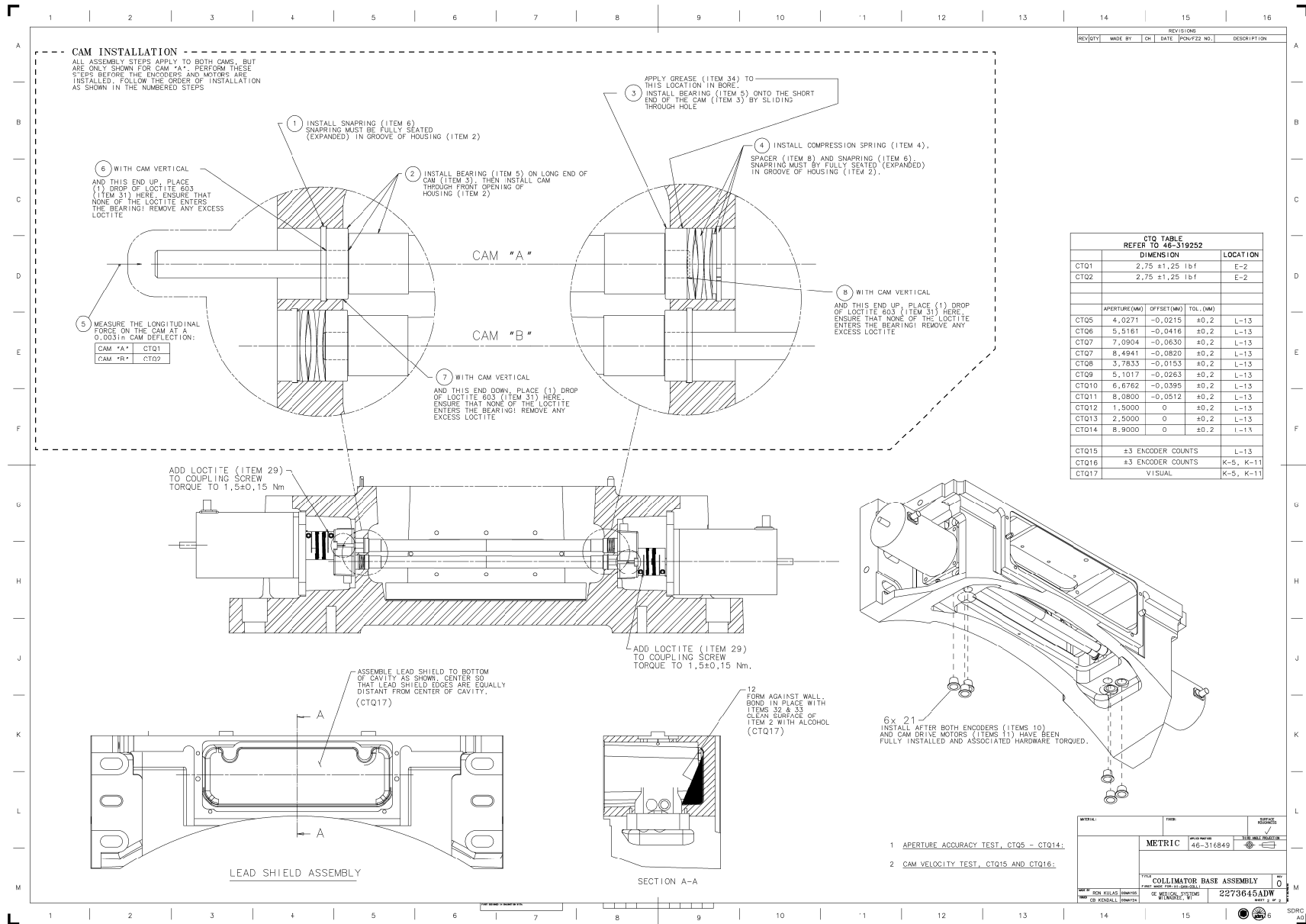


Figure 4-76 H4 Collimator Base Assembly (2273645ADW, sheet 2, rev 2)

MARK	NUMBER	QTY	FRU	DESCRIPTION/NAME
	5330544	1.0	Yes	Coupling and Motor Assembly, Helios Collimator
9	46-296259P6	2.0	Yes	ROCOM COUPLING_BORES 5 MM, 0.250 IN. 1 IN DIA, 1 IN LONG
11	2125453-2	2.0	Yes	HELIOS COLLIMATOR, CAM MOTOR ONLY
17	2125242	2.0	Yes	CAM ENCODER TO CCB
21	46-230644P10	6.0	Yes	CAP/PLUG
22	2103580-12	8.0	Yes	SCREW COUNTERSUNK HEA 6 MM 12 MM CAP SCREWS BLACK OXIDE, STEEL
26	46-328417P3	8.0	Yes	SCREW HEXAGON SOCKET 4 MM 10 MM ZINC PLATED, STEEL
27	46-328421P4	6.0	Yes	SCREW PAN HEAD 2.5 MM 6 MM ZINC PLATED, STEEL
29	46-170686P2	0.0	Yes	LOCTITE 242, 10CC 12 MONTH SHELF LIFE FROM DATE OF SHIPMENT FROM THE MANUFACTURER
31	46-214932P6	0.0	Yes	LOCTITE 603
32	46-170918P1	0.0	Yes	EPOXY, GENERAL PURPOSE, TWO PART PART A - RESIN, WHITE LIQUID. (4 OZ TUBE, ~EPOXI-PATCH~ KIT)
34	46-170623P2	0.0	Yes	BLACK, HEAVY-DUTY LUBRICATING PASTE. (1 PINT CAN) SHELF LIFE, UNDER NORMAL STORAGE CON DITIONS, HAS NO KNOWN LIMITS. (DWG REV 6/92, JFK - OK).
35	46-328434P1	2.0	Yes	WASHER LOCK - INTERNAL 2.7 MM 5.5 MM ZINC PLATED, SPRING STEEL
2	2362091	1.0	No	COLLIMATOR FRAME M-CING HERCULES, H4
3	2288062	2.0	No	ROTATING APERTURE H3
4	2251260	2.0	No	SPRING COMPRESSION 8.255 MM
5	46-136282P98	4.0	No	BEARING
6	46-296462P8	4.0	No	DIN REF. 472-13 X 1 HOUSING DIA 13 MATL STEEL POSSIBLE VENDOR MEYER RETAINING RING CO. INC, MILW, WISC
7	1000904P534	4.0	No	.310 OD .206 ID .005 THICK STAINLESS STEEL TYPE 303 NORDEX PART #BDS-A5-2
8	1000904P535	2.0	No	.498 OD .378 ID .020 THICK STAINLESS STEEL TYPE 303 NORDEX PART #BFS-A1-35
10	2125243	2.0	No	OPTICAL, 500 LINE, 5MM SHAFT MOUNT
12	2188215	1.0	No	LEAD SHIELD IN BOTTOM OF HELIOS COLL
14	2121255	3.0	No	PINS DIAMOND PIN - 5MM DIA X 17MM LONG ROUND PIN - 6MM DIA X 19,05MM
15	2121255-2	3.0	No	PINS DIAMOND PIN - 6MM DIA X 19,05MM LG

Table 4-51 H4 Collimator Base Assembly (2273645-3 BOM, rev 3)

MARK	NUMBER	QTY	FRU	DESCRIPTION/NAME
16	2119358	2.0	No	APERTURE MOTOR MOUNT MACHINED PART
33	46-170918P2	0.0	No	GENERAL PURPOSE, TWO PART EPOXY. PART B - HARDENER, WHITE LIQUID. (4 OZ TUBE, ~EPOXI-PATCH~ KIT) PART B HARDENER. (DWG REV 8/92, JF K - OK).

Table 4-51 H4 Collimator Base Assembly (2273645-3 BOM, rev 3) (Continued)

3.1.14.4 Home Flag BRKT,H4 Gantry (2357076)

FRU = YES

NOTE:
TORQUE ITEM 1 TO 1,04±0,1N-m

THIS PART TO BE LABELED PER
GEMS DWG 46-274914, CLASS I,
LABEL CANNOT BE ON PART

PHYSICAL ID: 2357076

MATERIAL:		FINISH:		SURFACE ROUGHNESS ✓	
METRIC		APPLIED PRACTICES 46-316849		THIRD ANGLE PROJECTION	
ISO "MEDIUM SERIES"		DIMENSIONS WITHOUT TOLERANCE INDICATION			
NOMINAL DIMENSION#	0,5 TO 6	OVER 6 TO 30	OVER 30 TO 120	OVER 120 TO 315	OVER 315 TO 1 000
PERMISSIBLE VARIATIONS	±0,1	±0,2	±0,3	±0,5	±0,8
TITLE HOME FLAG BRACKET, H4 GANTRY					REV 1
FIRST MADE FOR: H4-GAN-ROTA					
MADE BY TODD SCHUENEMAN	02OCT07	GE HEALTHCARE MILWAUKEE, WI		2357076ADW	
ISSUED ROHAN MENDONZA	03FEB14			SHEET 1 OF 1	

REVISIONS

REV	QTY	MADE BY	CH	DATE	ECR/ECO NO.	DESCRIPTION
1		T.SCHUENEMAN		07APR23	2041029	ADDED LABEL NOTE
UPDATED GEOMETRY						
C		T.SCHUENEMAN		03FEB12	NCN	
CHANGED ITEM 1 FROM HEAX HEAD TO SOCKET HEAD SCREWS, LOC. B1						
B		T.SCHUENEMAN		02OCT08	NCN	

APPROVED DOCUMENT - 2357076ADW_r1.pdf Page 2 of 2

1-DEAS A3

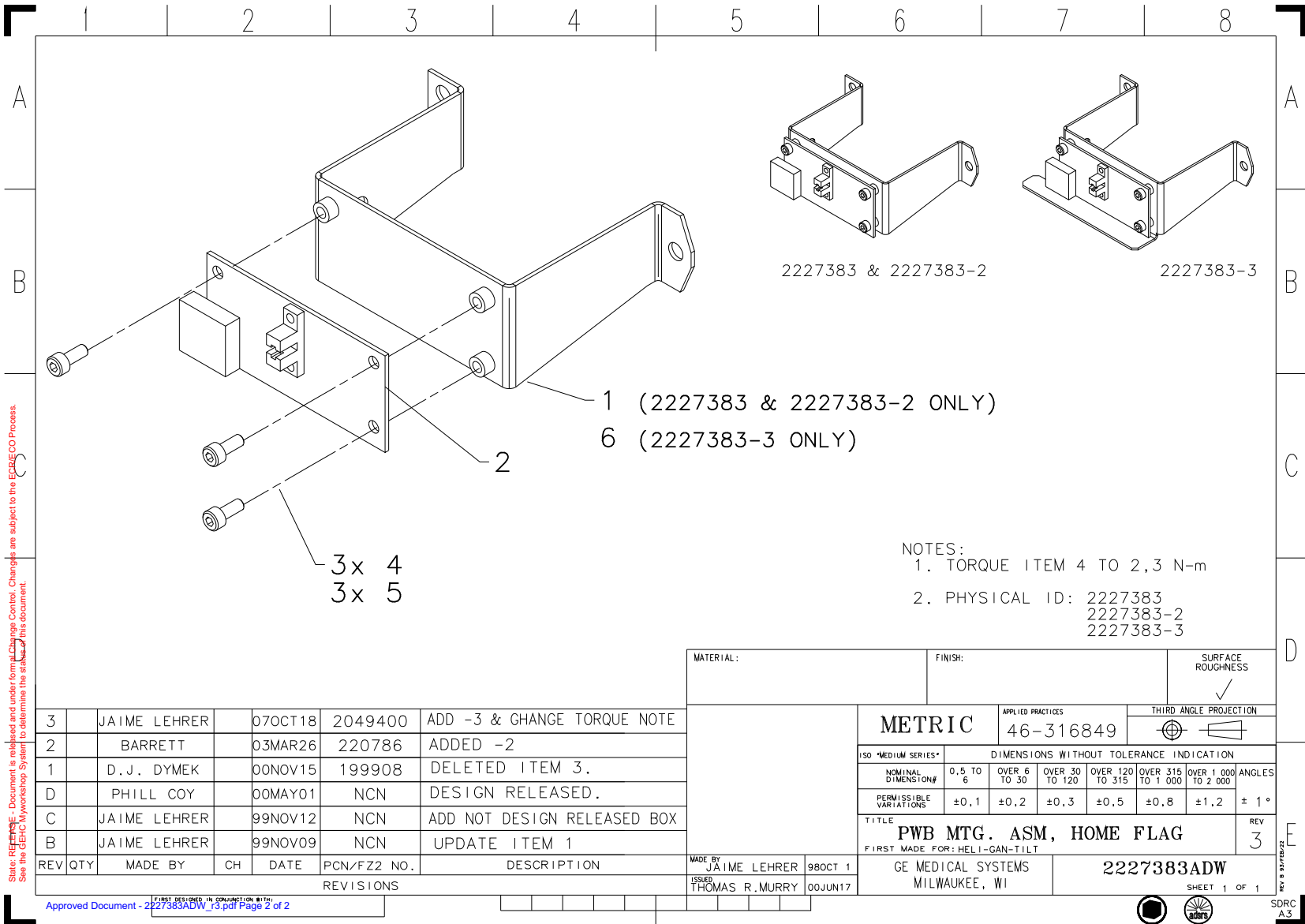
Figure 4-77 Home Flag BRKT,H4 Gantry (2357076ADW, sheet 1, rev 1)

MARK	NUMBER	QTY	FRU	DESCRIPTION/NAME
1	46-328417P74	2.0	Yes	SCREW HEXAGON SOCKET 3 MM 10 MM
2	46-311805P10	2.0	Yes	HELICAL LOCK WASHER M3 ZP DIN
3	46-311804P2	2.0	Yes	3.2X9X.8 ZP ST DIN
4	2359761	1.0	Yes	HOME FLAG TAB, H4
5	2359760	1.0	No	BRACKET, HOME FLAG, H4

Table 4-52 Home Flag BRKT,H4 Gantry (2357076 BOM, rev 2)

3.1.14.5 Home Flag, PWB MTG, H4 GDAS Gantry (2227383-3)

FRU = NO



1 (2227383 & 2227383-2 ONLY)
6 (2227383-3 ONLY)

3x 4
3x 5

- NOTES:
1. TORQUE ITEM 4 TO 2,3 N-m
2. PHYSICAL ID: 2227383
2227383-2
2227383-3

REV	QTY	MADE BY	CH	DATE	PCN/FZ2 NO.	DESCRIPTION
3		JAIME LEHRER		07OCT18	2049400	ADD -3 & CHANGE TORQUE NOTE
2		BARRETT		03MAR26	220786	ADDED -2
1		D. J. DYMEK		00NOV15	199908	DELETED ITEM 3.
D		PHILL COY		00MAY01	NCN	DESIGN RELEASED.
C		JAIME LEHRER		99NOV12	NCN	ADD NOT DESIGN RELEASED BOX
B		JAIME LEHRER		99NOV09	NCN	UPDATE ITEM 1

MATERIAL:		FINISH:		SURFACE ROUGHNESS		
				✓		
METRIC			APPLIED PRACTICES		THIRD ANGLE PROJECTION	
			46-316849			
DIMENSIONS WITHOUT TOLERANCE INDICATION						
NOMINAL DIMENSION#	0,5 TO 6	OVER 6 TO 30	OVER 30 TO 120	OVER 120 TO 315	OVER 315 TO 1 000	OVER 1 000 TO 2 000
PERMISSIBLE VARIATIONS	±0,1	±0,2	±0,3	±0,5	±0,8	±1,2
ANGLES ± 1°						
TITLE					REV	
PWB MTG. ASM, HOME FLAG					3	
FIRST MADE FOR: HELI-GAN-TILT						
MADE BY		ISSUED		DATE		
JAIME LEHRER		THOMAS R. MURRY		98OCT 1 00JUN17		
GE MEDICAL SYSTEMS			2227383ADW			
MILWAUKEE, WI			SHEET 1 OF 1			

Approved Document - 2227383ADW_3.pdf Page 2 of 2

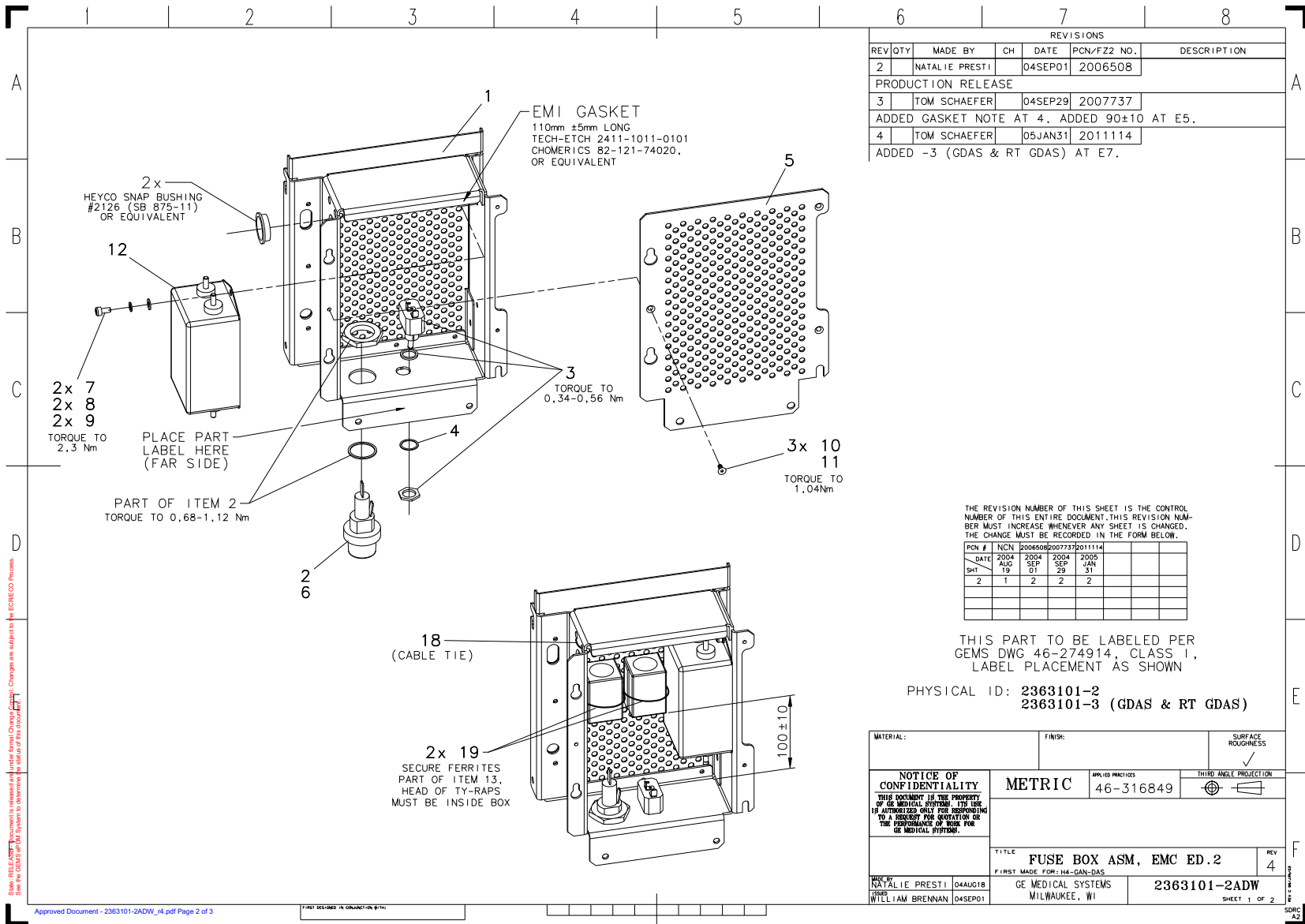
Figure 4-78 Home Flag, PWB MTG, H4 GDAS Gantry (2227383ADW, sheet 1, rev 3)

MARK	NUMBER	QTY	FRU	DESCRIPTION/NAME
2	46-186462G1	1.0	Yes	AZIMUTH ZERO DET. - CT/T SYSTEM
4	46-328417P2	3.0	Yes	SCREW HEXAGON SOCKET 4 MM 8 MM ZINC PLATED, STEEL
5	46-170686P3	0.0	Yes	LOCTITE 242, 50CC 12 MONTH SHELF LIFE FROM DATE OF SHIPMENT FROM THE MANUFACTURER.
6	5121205	1.0	No	Bracket, MTG, Home Flag, PWB-H4

Table 4-53 Home Flag, PWB MTG, H4 GDAS Gantry (2227383-3 BOM, rev 2)

3.1.14.6 Fuse Box Assembly, GDAS EMC Edition 2 (2363101-3)

FRU = YES



REVISIONS						
REV	QTY	MADE BY	CH	DATE	PCN/FZ2 NO.	DESCRIPTION
2		NATALIE PRESTI		04SEP01	2006508	PRODUCTION RELEASE
3		TOM SCHAEFER		04SEP29	2007737	ADDED GASKET NOTE AT 4. ADDED 90±10 AT E5.
4		TOM SCHAEFER		05JAN31	2011114	ADDED -3 (GDAS & RT GDAS) AT E7.

THE REVISION NUMBER OF THIS SHEET IS THE CONTROL NUMBER OF THIS ENTIRE DOCUMENT. THIS REVISION NUMBER MUST INCREASE WHENEVER ANY SHEET IS CHANGED. THE CHANGE MUST BE RECORDED IN THE FORM BELOW.

PCN #	NCN	2004	2004	2004	2005
DATE		AUG	SEP	SEP	JAN
SH#		19	01	29	31
2	1		2	2	2

THIS PART TO BE LABELED PER GEMS DWG 46-274914, CLASS 1, LABEL PLACEMENT AS SHOWN

PHYSICAL ID: 2363101-2
2363101-3 (GDAS & RT GDAS)

MATERIAL:	FINISH:	SURFACE ROUGHNESS
NOTICE OF CONFIDENTIALITY		THIRD ANGLE PROJECTION
THIS DOCUMENT IS THE PROPERTY OF GE MEDICAL SYSTEMS. ITS USE IS AUTHORIZED ONLY FOR RESPONDING TO A REQUEST FOR QUOTATION OR THE PERFORMANCE OF WORK FOR GE MEDICAL SYSTEMS.		APPLIED PRACTICES
METRIC		46-316849
TITLE		REV
FUSE BOX ASM, EMC ED.2		4
F.FIRST. MADE FOR: HA-GAS		
MADE BY	DATE	
NATALIE PRESTI	04AUG18	
BY		
WILLIAM BRENNAN	04SEP01	
GE MEDICAL SYSTEMS		2363101-2ADW
MILWAUKEE, WI		SHEET 1 OF 2

Figure 4-79 Fuse Box Assembly, GDAS EMC Edition 2 (2363101-2ADW, sheet 1, rev 4)

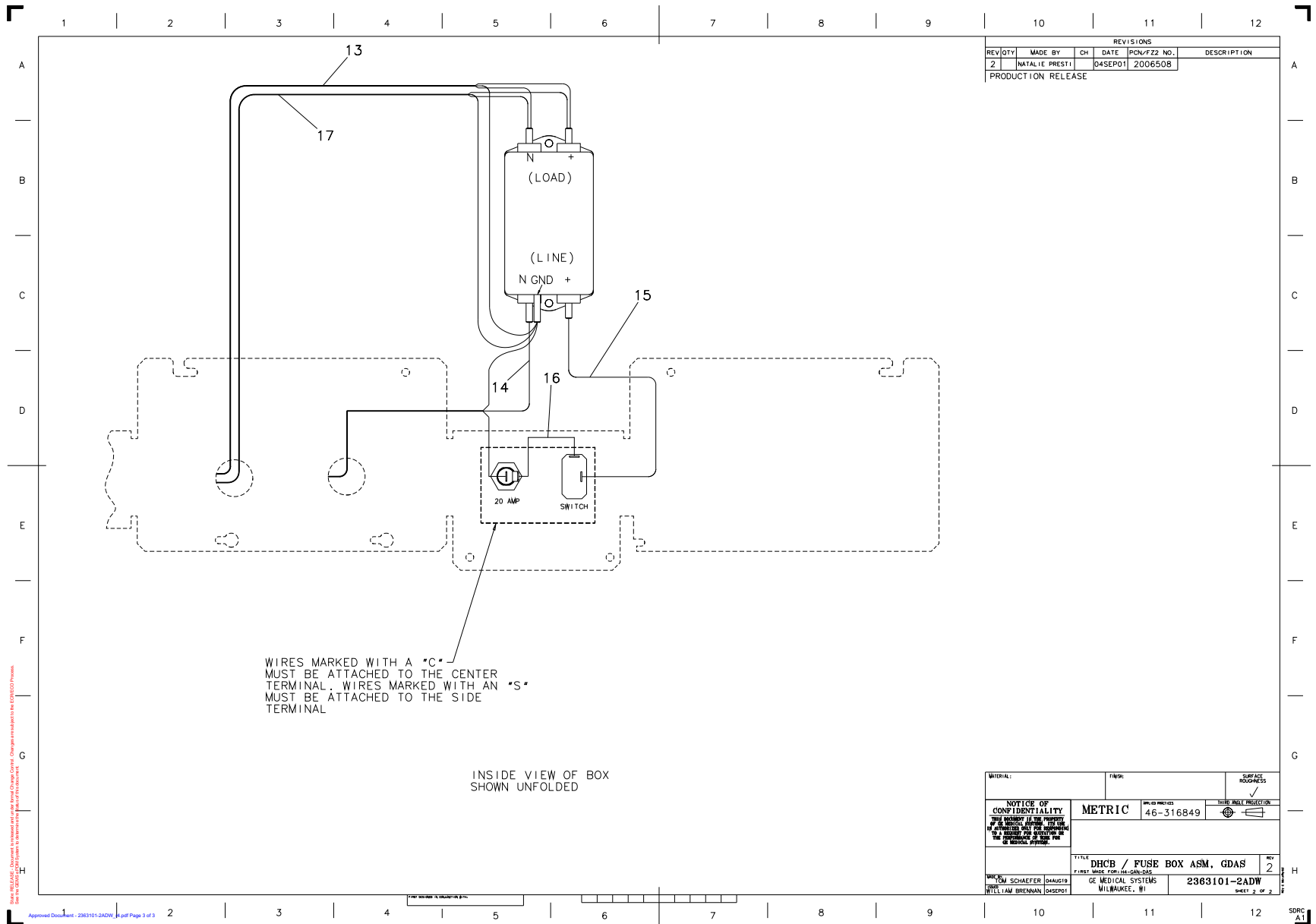


Figure 4-80 Fuse Box Assembly, GDAS EMC Edition 2 (2363101-2ADW, sheet 2, rev 4)

MARK	NUMBER	QTY	FRU	DESCRIPTION/NAME
2	46-170042P22	1.0	Yes	30A, 600V PANEL-MOUNTED FUSEHOLDER. FOR 13/32~ X 1 1/2~ FUSES, UL & CSA. (1/4~ QUICK-CONNECT TERMINALS) KNOB AND HARDWARE INCLUDED, UL AND C SA APPROVED. (DWG REV 11/91, JFK).
3	46-136343P15	1.0	Yes	SPST, ON-OFF 20A TOGGLE SWITCH
4	46-208601P11	1.0	Yes	SCREW SIZE 7/16, INTERNAL TOOTH WSHR ZINC PL STL
6	2106993-5	1.0	Yes	FUSE 20 AMPS 500 VOLTS .3 SECONDS
7	46-328417P2	2.0	Yes	SCREW HEXAGON SOCKET 4 MM 8 MM ZINC PLATED, STEEL
8	46-328432P2	2.0	Yes	WASHER LOCK - SPRING 4.1 MM 7.6 MM ZINC PLATED, SPRING STEEL
9	46-328430P2	2.0	Yes	WASHER PLAIN - NORMAL 4.3 MM 9 MM ZINC PLATED, STEEL
10	2103580-38	3.0	Yes	SCREW COUNTERSUNK HEA 3 MM 6 MM
11	46-170686P3	0.0	Yes	LOCTITE 242, 50CC 12 MONTH SHELF LIFE FROM DATE OF SHIPMENT FROM THE MANUFACTURER.
12	2362071	1.0	Yes	LINE FILTER 20A, 120 VAC
18	46-208758P2	1.0	Yes	5.5~ X .140~ SELF-LOCKING CABLE TIE. 1/16~ TO 1-1/4~ WIRE BUNDLE RANGE. 30LB TENSILE STRENGTH, NYLON MATR~L.
19	46-208758P10	2.0	Yes	8.00~ X .094~ SELF-LOCKING CABLE TIE 1/16~ TO 2~ WIRE BUNDLE RANGE. 18LB TENSILE STRENGTH, NYLON MATR~L. SAME AS 46-208758P7 EXCEPT RESTRICT VENDOR TO T&B. TIE MUST BE .094~ WID E. (DWG REV 5/92, JFK - OK).
1	2363206-2	1.0	No	Fuse Box - EMC
5	2387625-2	1.0	No	Rear Cover, Fuse Box - EMC ED2
13	5118946-2	1.0	No	Cable Fuse Box Ac Output GDAS
14	5118947-2	1.0	No	Cable Fuse Box AC Input GDAS
15	5118950	1.0	No	Wire Switch To Filter GDAS
16	5122690	1.0	No	Cable, Fuse Box AC Output GDAS
17	5118948	1.0	No	Cable Fuse Box To DAS Fan GDAS

Table 4-54 Fuse Box Assembly, GDAS EMC Edition 2 (2363101-3 BOM, rev 1)

3.1.14.7 DHCB, Board-Cover Assembly EMC ED2 (2294856-2)

FRU = YES

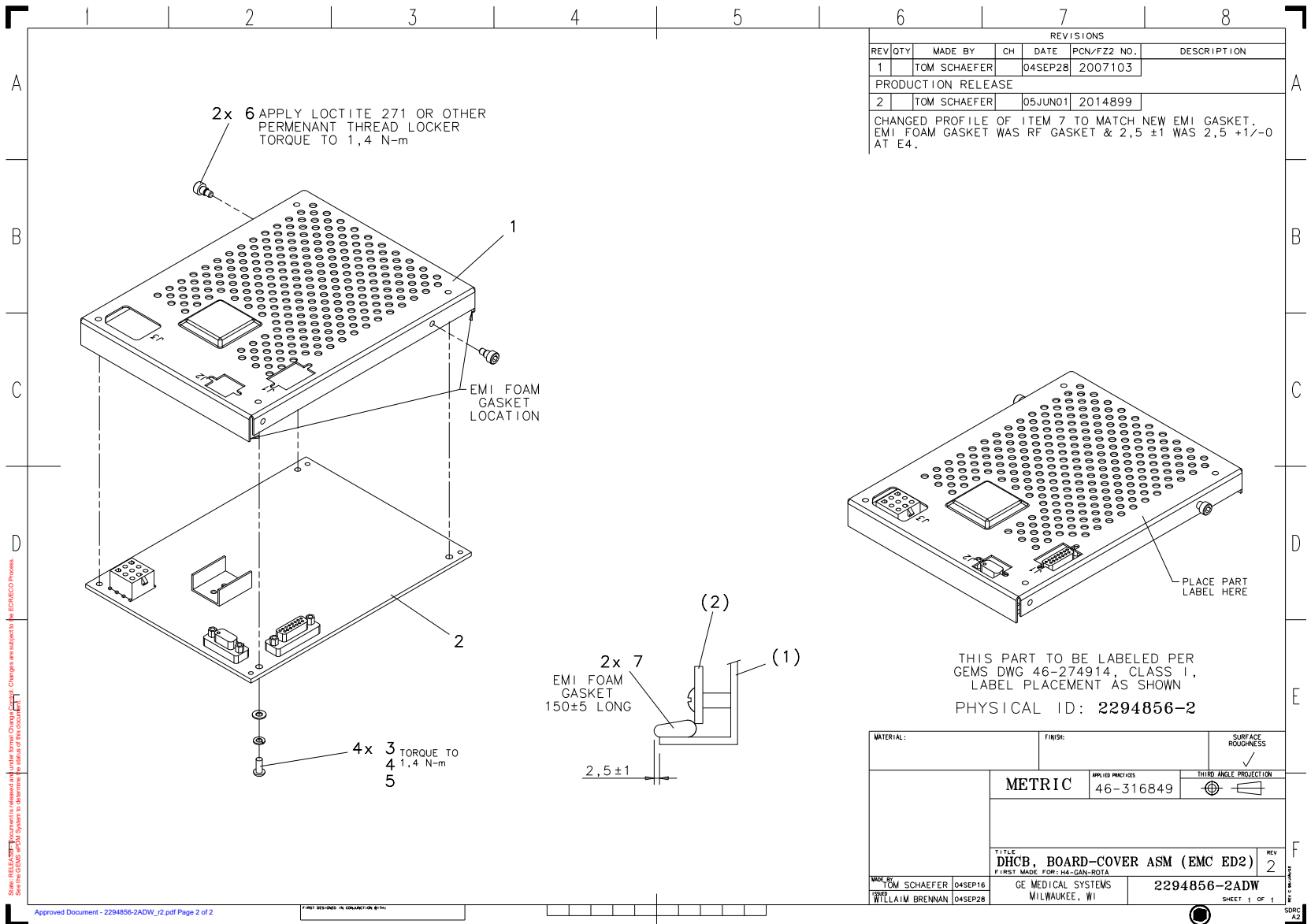


Figure 4-81 DHCB, Board-Cover Assembly EMC ED2 (2294856-2ADW, sheet 1, rev 2)

MARK	NUMBER	QTY	FRU	DESCRIPTION/NAME
3	46-328420P3	4.0	Yes	SCREW BUTTON HEAD 4 MM 12 MM BLACK OXIDE, STEEL
4	46-328430P2	4.0	Yes	WASHER PLAIN - NORMAL 4.3 MM 9 MM ZINC PLATED, STEEL
5	46-328432P2	4.0	Yes	WASHER LOCK - SPRING 4.1 MM 7.6 MM ZINC PLATED, SPRING STEEL
1	2293158	1.0	No	COVER, DHCB
2	5122006	1.0	No	Detector Heater Control
6	46-259837P16	2.0	No	SCREW SHOULDER M4 X 5MM, 4MM SHLDR
7	2363381	0.0	No	EMI FOAM GASKET FOR DETECTOR MODULE

Table 4-55 DHCB, Board-Cover Assembly EMC ED2 (2294856-2 BOM, rev 3)

3.1.14.8 ASTEC Digital PS Assembly (5126615)

FRU = YES

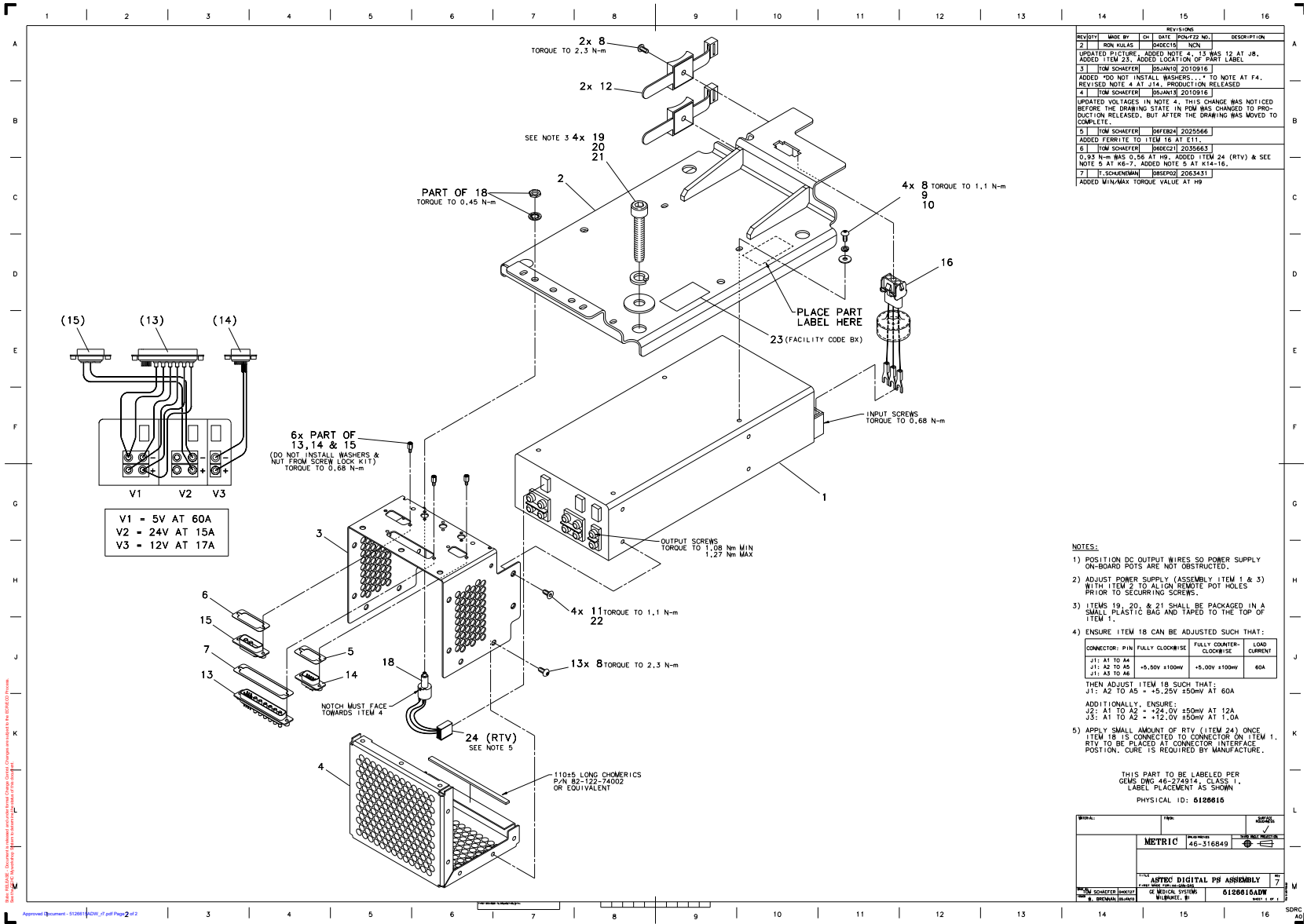


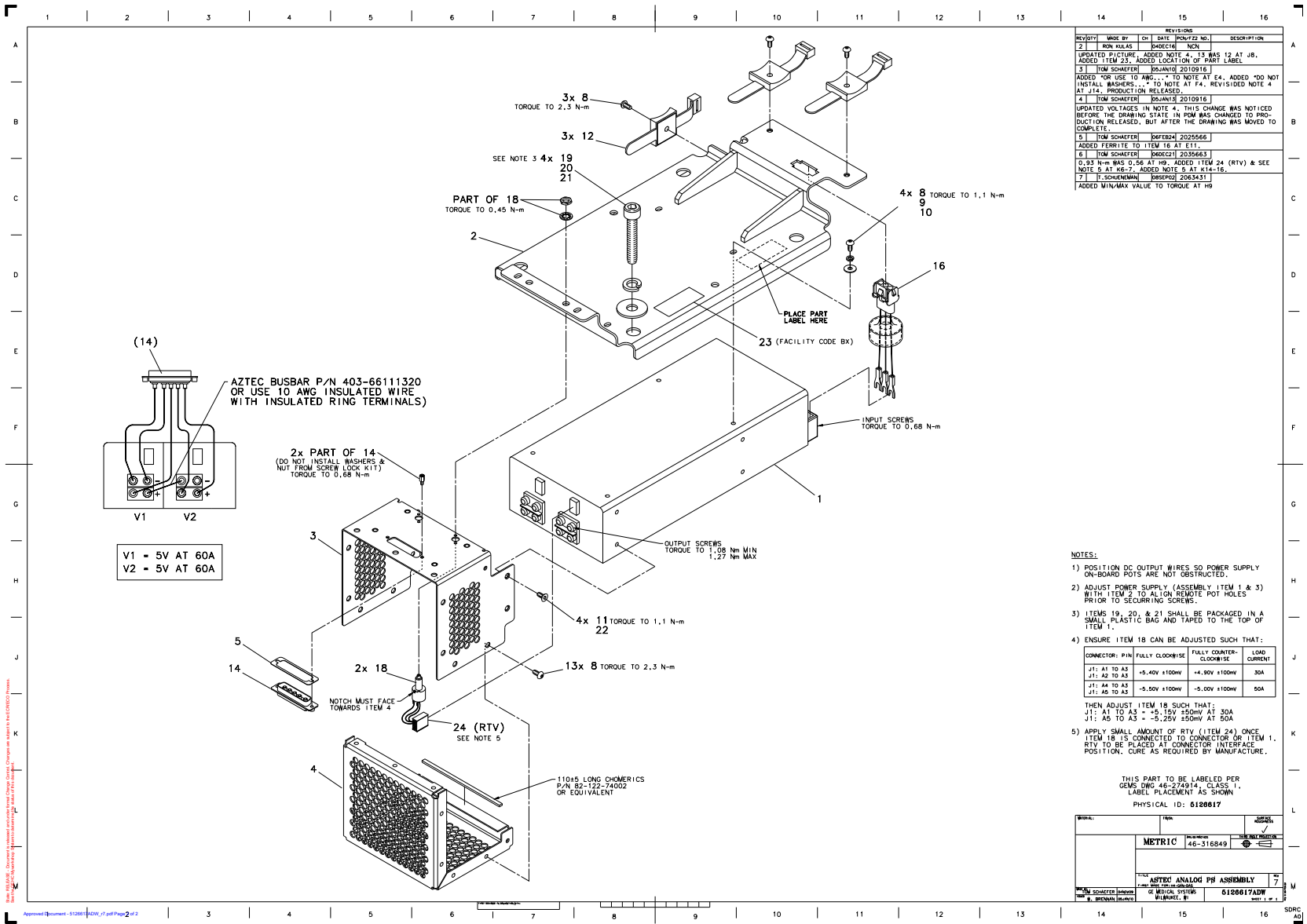
Figure 4-82 ASTEC Digital PS Assembly (5126615ADW, sheet 1, rev 7)

MARK	NUMBER	QTY	FRU	DESCRIPTION/NAME
8	46-328420P1	19.0	Yes	SCREW BUTTON HEAD 4 MM 8 MM BLACK OXIDE, STEEL
9	46-328430P2	4.0	Yes	WASHER PLAIN - NORMAL 4.3 MM 9 MM ZINC PLATED, STEEL
10	46-328432P2	4.0	Yes	WASHER LOCK - SPRING 4.1 MM 7.6 MM ZINC PLATED, SPRING STEEL
12	46-325136P1	2.0	Yes	CABLE CLAMP,RICHCO #UMS-16-45,.37 TO 1IN DIA.,RELEASABLE,MOUNTS WITH #8
19	46-328417P64	4.0	Yes	SCREW HEXAGON SOCKET 12 MM 30 MM
20	46-328432P7	4.0	Yes	WASHER LOCK - SPRING 12.2 MM 21.1 MM
21	46-328430P8	4.0	Yes	WASHER PLAIN - NORMAL 13 MM 24 MM
22	46-170686P3	0.0	Yes	LOCTITE 242, 50CC 12 MONTH SHELF LIFE FROM DATE OF SHIPMENT FROM THE MANUFACTURER.
1	5126780	1.0	No	Power Supply, ASTEC - Digital
2	5126076	1.0	No	Mounting Bracket, ASTEC Digital PS - GDAS
3	5126079	1.0	No	DC Bulkhead, ASTEC Digital PS
4	5126078	1.0	No	Shield, ASTEC PS DC Output - GDAS
5	5121228	1.0	No	Metal Gasket 9-pin Sub-D Panel Mount
6	5121228-2	1.0	No	Waved Metal Gasket 15-pin Sub-D Panel Mount
7	5121228-4	1.0	No	Waved Metal Gasket 37-pin Sub-D Panel Mount
11	2103580-53	4.0	No	SCREW COUNTERSUNK HEAD M4 x 6
13	5124199	1.0	No	5V Astec Digital PS Internal Pwr Cable, GDAS
14	5124201	1.0	No	Cable, Digital PS 12V DC Astec, GDAS
15	5124200-2	1.0	No	ASTEC Digital PS, 24VDC Internal cable, Filtered Connector
16	5124480-2	1.0	No	Astec PS, AC Internal Input cable, with ferrite
18	5128133	1.0	No	Astec PS Remote Pot Asm
23	46-230729P1	1.0	No	BAR CODE LABEL
24	46-170137P2	1.0	No	RTV-162 NON-CORROSIVE ADHESIVE. ONE-PART SILICON RUBBER, WHITE COLOR (10.3 OZ. CARTRIDGE) ONE-PART, NON-CORROSIVE ADHESIVE/SEA LANT. CURES AT ROOM TEMPERATURE. (D WG REV 6/92, JFK - OK).

Table 4-56 ASTEC Digital PS Assembly (5126615 BOM, rev 5)

3.1.14.9 ASTEC Analog PS Assembly (5126617)

FRU = YES



REV#	DATE	BY	CHKD	DESCRIPTION
1		RON KULAS	DAVIDE	NEW
2				UPDATED PICTURE. ADDED NOTE 4. 13 WAS 12 AT JOB. ADDED ITEM 23. ADDED LOCATION OF PART LABEL.
3		TOM SCHEFFER	DAVIDE	2010916
4		TOM SCHEFFER	DAVIDE	2010916
5		TOM SCHEFFER	DAVIDE	2025566
6		TOM SCHEFFER	DAVIDE	2035661
7		T. SCHWENMANN	BRUNO	2063431

- NOTES:
- POSITION DC OUTPUT WIRES SO POWER SUPPLY ON-BOARD POTS ARE NOT OBSTRUCTED.
 - ADJUST POWER SUPPLY (ASSEMBLY ITEM 1 & 3) WITH ITEM 2 TO ALIGN REMOTE POT HOLES PRIOR TO SECURING SCREWS.
 - ITEMS 19, 20, & 21 SHALL BE PACKAGED IN A SMALL PLASTIC BAG AND TAPED TO THE TOP OF ITEM 1.
 - ENSURE ITEM 18 CAN BE ADJUSTED SUCH THAT:

CONNECTOR	PIN	FULLY CLOOM/ISE	FULLY COUNTER-CLOOM/ISE	LOAD CURRENT
J1:	A1 TO A3	+5.40V ±100mV	+4.90V ±100mV	30A
J1:	A4 TO A5	-5.50V ±100mV	-5.00V ±100mV	50A

 THEN ADJUST ITEM 18 SUCH THAT:
 J1: A1 TO A3 = -5.15V ±50mV AT 30A
 J1: A4 TO A5 = -5.25V ±50mV AT 50A
 - APPLY SMALL AMOUNT OF RTV (ITEM 24) ONCE ITEM 18 IS CONNECTED TO CONNECTOR OR ITEM 1. RTV TO BE PLACED AT CONNECTOR INTERFACE POSITION. CURE AS REQUIRED BY MANUFACTURE.

THIS PART TO BE LABELED PER
GEMS DWG 46-274914, CLASS 1,
LABEL PLACEMENT AS SHOWN.
PHYSICAL ID: 6126617

REV#	DATE	BY	CHKD	DESCRIPTION
1				
2				
3				
4				
5				
6				
7				

ASTEC ANALOG PS ASSEMBLY
P/N: 5126617ADW
REV: 7

Figure 4-83 ASTEC Analog PS Assembly (5126617ADW, sheet 1, rev 7)

MARK	NUMBER	QTY	FRU	DESCRIPTION/NAME
8	46-328420P1	20.0	Yes	SCREW BUTTON HEAD 4 MM 8 MM BLACK OXIDE, STEEL
9	46-328430P2	4.0	Yes	WASHER PLAIN - NORMAL 4.3 MM 9 MM ZINC PLATED, STEEL
10	46-328432P2	4.0	Yes	WASHER LOCK - SPRING 4.1 MM 7.6 MM ZINC PLATED, SPRING STEEL
12	46-325136P1	3.0	Yes	CABLE CLAMP,RICHCO #UMS-16-45,.37 TO 1IN DIA.,RELEASABLE,MOUNTS WITH #8
19	46-328417P64	4.0	Yes	SCREW HEXAGON SOCKET 12 MM 30 MM
20	46-328432P7	4.0	Yes	WASHER LOCK - SPRING 12.2 MM 21.1 MM
21	46-328430P8	4.0	Yes	WASHER PLAIN - NORMAL 13 MM 24 MM
22	46-170686P3	0.0	Yes	LOCTITE 242, 50CC 12 MONTH SHELF LIFE FROM DATE OF SHIPMENT FROM THE MANUFACTURER.
1	5126782	1.0	No	Power Supply, ASTEC - Analog
2	5126077	1.0	No	Mounting Bracket, ASTEC Analog PS - GDAS
3	5126080	1.0	No	DC Bulkhead, ASTEC Analog PS
4	5126078	1.0	No	Shield, ASTEC PS DC Output - GDAS
5	5121228-3	1.0	No	Waved Metal Gasket 25-pin Sub-D Panel Mount
11	2103580-53	4.0	No	SCREW COUNTERSUNK HEAD M4 x 6
14	5124417	1.0	No	Astec Analog PS, 5V Internal Pwr Cable, GDAS
16	5124480-2	1.0	No	Astec PS, AC Internal Input cable, with ferrite
18	5128133	2.0	No	Astec PS Remote Pot Asm
23	46-230729P1	1.0	No	BAR CODE LABEL
24	46-170137P2	1.0	No	RTV-162 NON-CORROSIVE ADHESIVE. ONE-PART SILICON RUBBER, WHITE COLOR (10.3 OZ. CARTRIDGE) ONE-PART, NON-CORROSIVE ADHESIVE/SEA LANT. CURES AT ROOM TEMPERATURE. (D WG REV 6/92, JFK - OK).

Table 4-57 ASTEC Analog PS Assembly (5126617 BOM, rev 5)

3.1.14.10 JEDI 60DC Generator (2371333-2)

FRU = NO

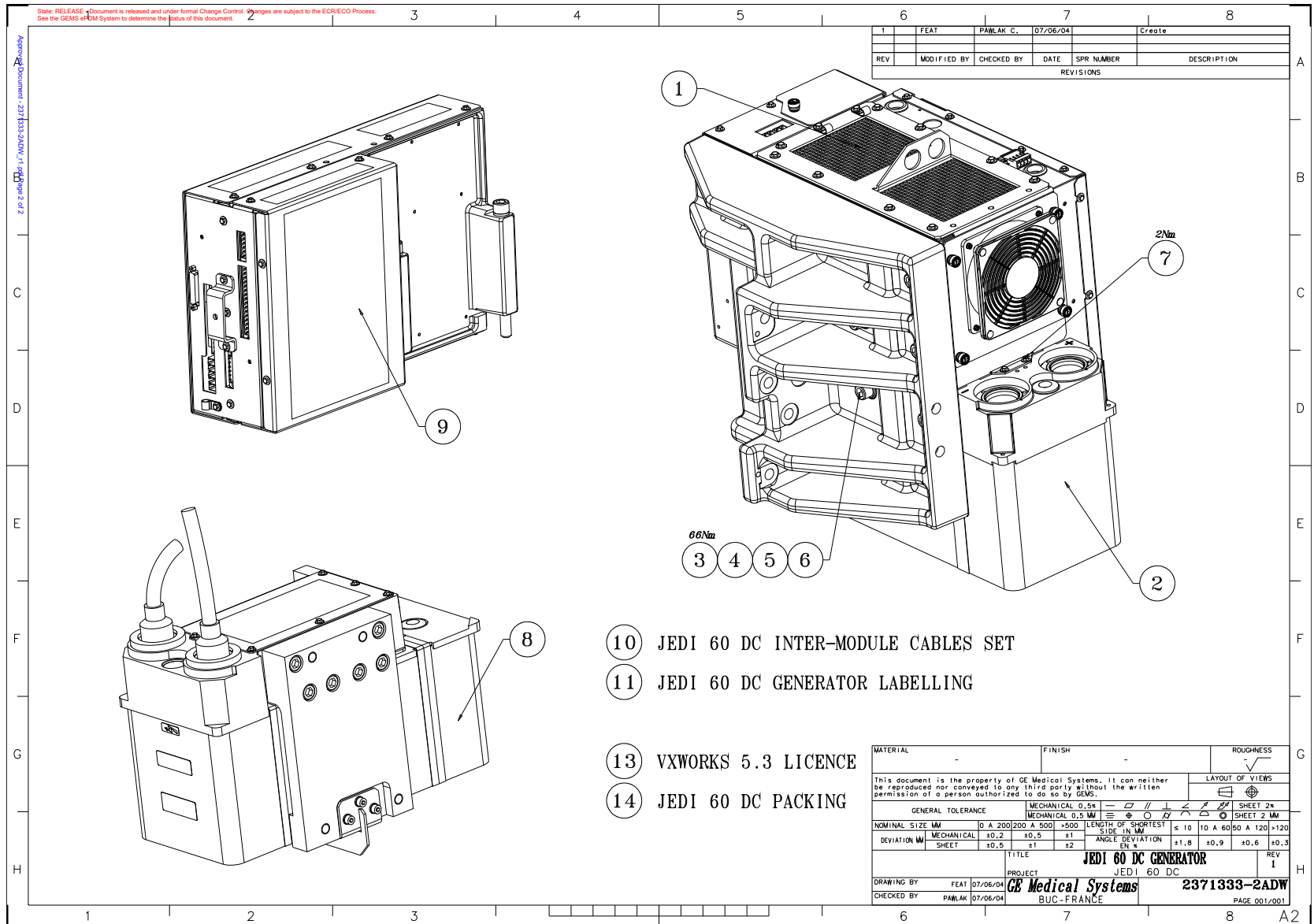


Figure 4-84 JEDI 60DC Generator (2371333-2ADW, sheet 1, rev 1)

MARK	NUMBER	QTY	FRU	DESCRIPTION/NAME
	2214527	1.0	Yes	JEDI STD HV TANK (SPARE)
	2246223-2	1.0	Yes	HV TANK HEMIT JEDI 60DC (SPARE)
	2381532-2	1.0	Yes	JEDI 60DC THERMAL PROTECTION CABLE
	2401826-2	1.0	Yes	JEDI 60DC SHIELDED POWER UNIT-HV TANK ASSY With HLB FRU PACKING
5	2236649-5	3.0	Yes	WASHER, FLAT, ISO7089,M12, ST-HB200
6	46-170686P3	0.0	Yes	LOCTITE 242, 50CC 12 MONTH SHELF LIFE FROM DATE OF SHIPMENT FROM THE MANUFACTURER.
9	2324118	1.0	Yes	JH4 AUXILIARY EQUIPED V2 {For further detail, see Section , beginning on page 334.}
10	2377667	1.0	Yes	JEDI 60DC INTER-MODULE CABLE SET {For further detail, see Section , beginning on page 340.}
1	2377668-2	1.0	No	JEDI 60DC HLB POWER UNIT {For further detail, see Section , beginning on page 310.}
2	2186730	1.0	No	JEDI STD HV TANK {For further detail, see Section , beginning on page 326.}
3	2300939-6	3.0	No	SCREW HEX SOCKET M12X60/60 ST 12.9
4	2379484	3.0	No	WASHER, GROWER M12 STEEL ZN
7	2279192	2.0	No	SCREW HEX FLANGE HEAD 4 MM 8 MM
8	2237336-2	1.0	No	HEMIT TANK JEDI 60 DC {For further detail, see Section , beginning on page 328.}
11	2382045-2	1.0	No	JEDI 60DC Generator Labelling
13	2218094	1.0	No	VXWORKS 5.3 LICENCE
14	5180555	1.0	No	PACKING BOX FOR JEDI 60DC
15	2153812	1.0	No	TILT WATCH
16	2153813	1.0	No	SHOCK WATCH

Table 4-58 JEDI 60DC Generator (2371333-2 BOM, rev 11)

JEDI 60DC HLB Power Unit (2377668-2)

FRU = NO

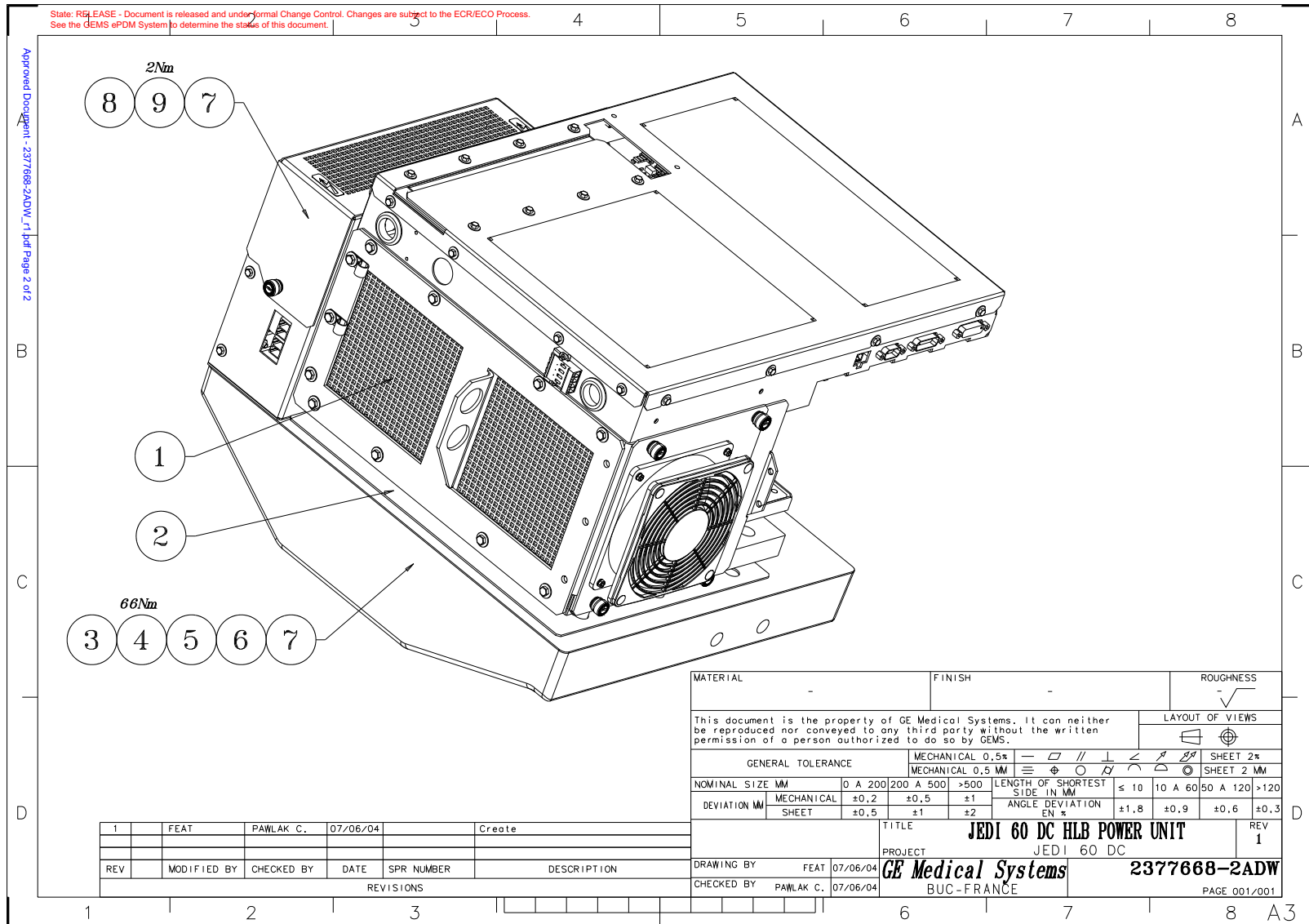


Figure 4-85 JEDI 60DC HLB Power Unit (2377668-2ADW, sheet 1, rev 1)

MARK	NUMBER	QTY	FRU	DESCRIPTION/NAME
6	2236649-5	6.0	Yes	WASHER, FLAT, ISO7089,M12, ST-HB200
1	2241515-3	1.0	No	POWER UNIT JEDI 60 DC {For further detail, see Section , beginning on page 312. }
2	5115948	1.0	No	Jedi60DC-dummy weight-HP60 Gantry balancing
3	2375822	1.0	No	BRACKET STD HV TANK JEDI 60 DC
4	2300939	6.0	No	SCREW HEXAGON SOCKET 12 MM 40 MM
5	2379484	6.0	No	WASHER, GROWER M12 STEEL ZN
8	2375375	1.0	No	PI FILTER ASM {For further detail, see Section , beginning on page 322. }
9	2279192	7.0	No	SCREW HEX FLANGE HEAD 4 MM 8 MM

Table 4-59 JEDI 60DC HLB Power Unit (2377668-2 BOM, rev 3)

Power Unit JEDI 60 DC (2241515-3)

FRU = NO

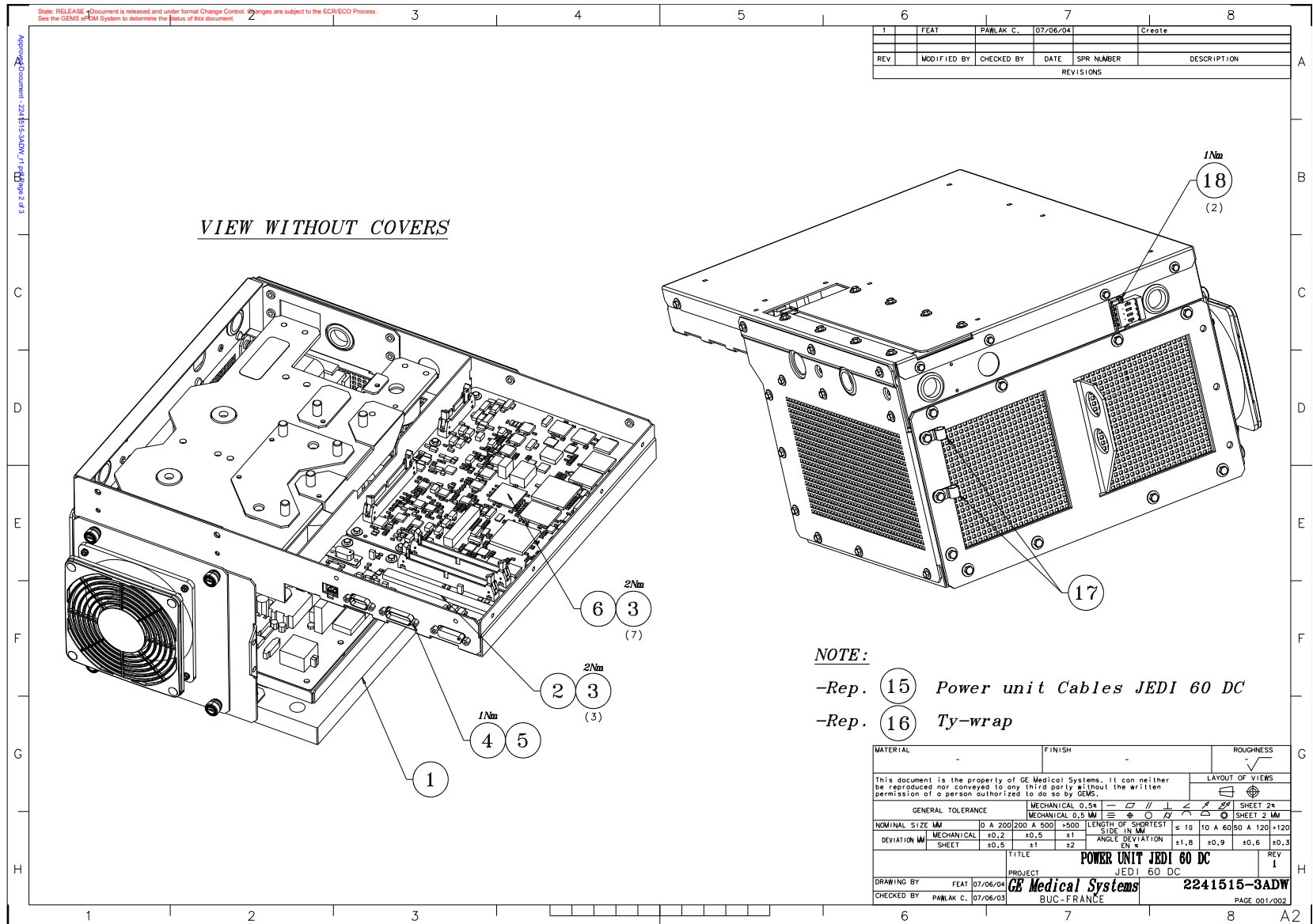


Figure 4-86 Power Unit JEDI 60 DC (2241515-3ADW, sheet 1, rev 1)

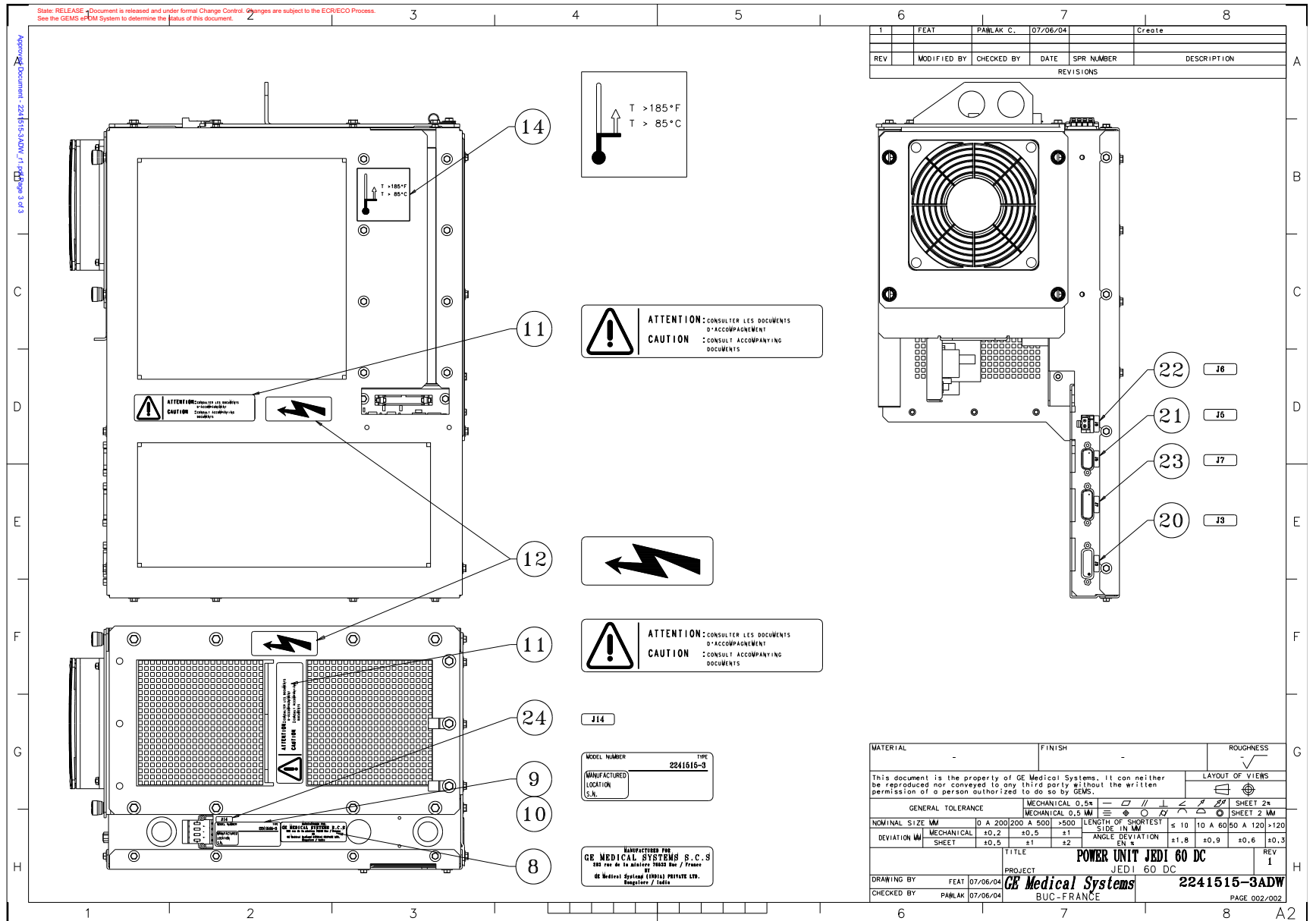


Figure 4-87 Power Unit JEDI 60 DC (2241515-3ADW, sheet 2, rev 1)

MARK	NUMBER	QTY	FRU	DESCRIPTION/NAME
	2407689	1.0	Yes	CT IF V4 (FRU)
	5136161-4	1.0	Yes	PROGRAMMED kV CONTROL P6.33BF6 AS FRU
2	2370723-2	1.0	Yes	CT IF V4
8	2370733-2	1.0	Yes	IDENT. LABEL FOR GE XRAY INDIA
11	5263838	2.0	Yes	Warning Label
15	2246200-2	1.0	Yes	POWER UNIT CABLES JEDI 60 DC {For further detail, see Section , beginning on page 320. }
16	99020256	3.0	Yes	TY-WRAP D22/L99X2.5
18	99057154	2.0	Yes	SLOTTED SCREW M2,5X10/10 INOX
1	2242441-3	1.0	No	JEDI 60DC Equiped Inverter {For further detail, see Section , beginning on page 316. }
3	2279192	10.0	No	SCREW HEX FLANGE HEAD 4 MM 8 MM
4	99158274	6.0	No	SUBD BOLT 1 SRCEW L13 4-40
6	5117564-10	1.0	No	PROGRAMMED kV CONTROL P6.30BF4 {For further detail, see Section , beginning on page 318. }
9	5308036	1.0	No	PRODUCT IDENTIFICATION LABEL ENGLISH
10	5308074	1.0	No	BAG WITH INTL. LABEL OVERLAYS FOR USE WITH GEMS-E MODEL LABEL
12	5308038	2.0	No	VOLTAGE WARNING SYMBOL LABEL
14	5308041	1.0	No	TEMPERATURE WARNING LABEL 48X48
17	5131599	2.0	No	STEEL CABLE CLAMP
20	2378961-3	1.0	No	LABEL J3
21	2378961-5	1.0	No	LABEL J5
22	2378961-6	1.0	No	LABEL J6
23	2378961-7	1.0	No	LABEL J7
24	2378961-14	1.0	No	LABEL J14

Table 4-60 Power Unit JEDI 60 DC (2241515-3 BOM, rev 8)

JEDI 60DC Equiped Inverter (2242441-3)

FRU = NO

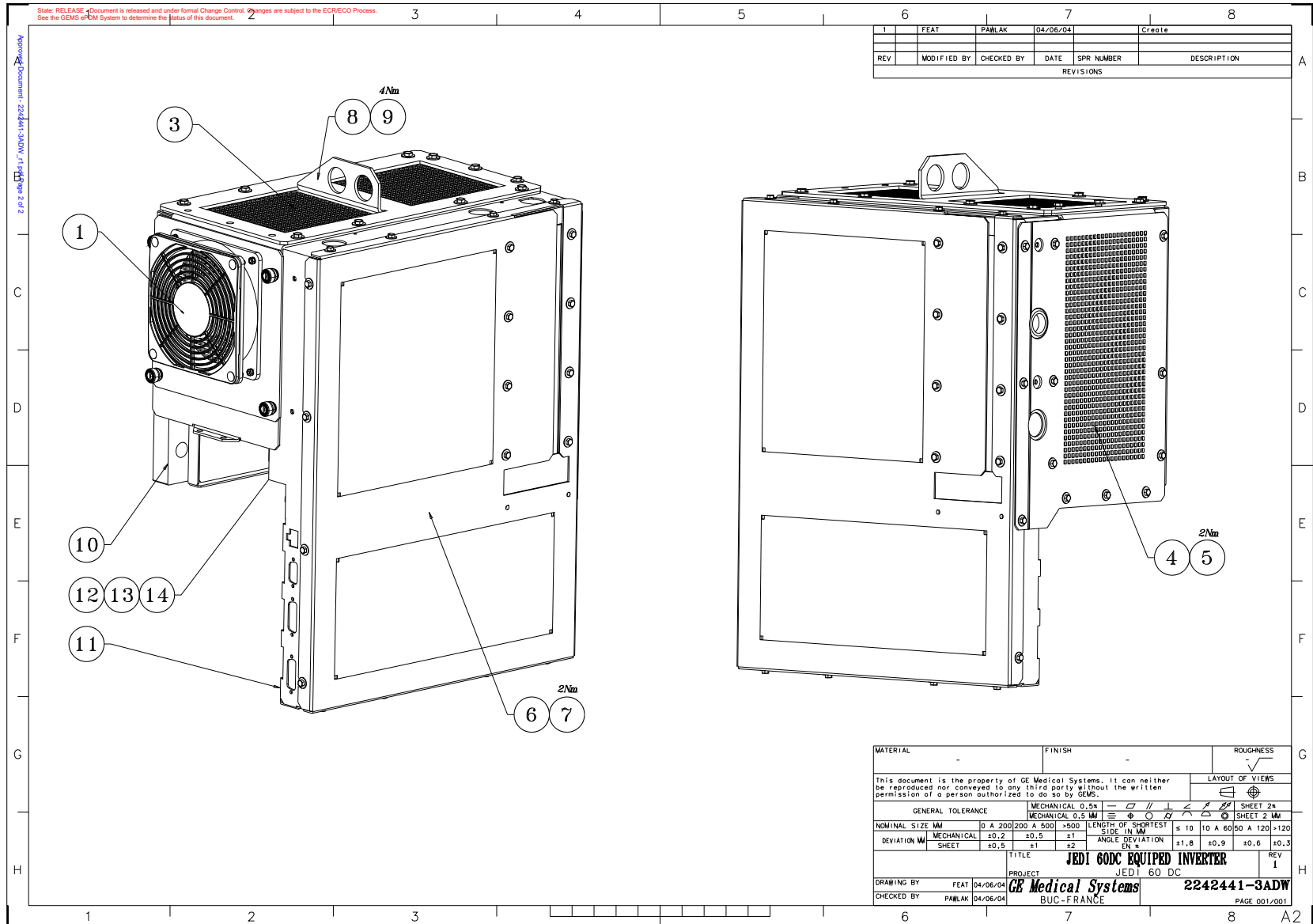


Figure 4-88 JEDI 60DC Equiped Inverter (2242441-3ADW, sheet 1, rev 1)

MARK	NUMBER	QTY	FRU	DESCRIPTION/NAME
	5116546	1.0	Yes	JEDI 60DC Equiped Fan Spare Part
	5126991	1.0	Yes	INVERTER MID POWER ASSY V3_FRU
10	2242442	1.0	Yes	ASSY INVERTER MID PWR NP V3
1	5116539	1.0	No	JEDI 60DC Equiped Fan Inverter
2	2279192	16.0	No	SCREW HEX FLANGE HEAD 4 MM 8 MM
3	5115946	1.0	No	Jedi60DC - superior L shape cover
4	5115947	1.0	No	Jedi60DC - lateral cover
5	2279192	9.0	No	SCREW HEX FLANGE HEAD 4 MM 8 MM
6	2199344-2	1.0	No	CONTROL MODULE CU COVER SET
7	2104239-3	10.0	No	SCREW HEX FLANGE HEAD 4 MM 12 MM
8	2201067-2	1.0	No	JEDI 60 DC HOISTING INTERFACE
9	2279193-2	11.0	No	SCREW HEX FLANGE HEAD 5 MM 12 MM
11	2242443	1.0	No	RESONANT CIRCUIT MID PWR NP V3
12	5174868	1.0	No	Litz wire-nv cable
13	99019996	1.0	No	NUT HEXAGON M8 BRASS
14	2225465-2	1.0	No	WAVED WASHER M8 8,4X17X0,8 CU-BE

Table 4-61 JEDI 60DC Equiped Inverter (2242441-3 BOM, rev 4)

Programmed kV Control P6.30BF4 (5117564-10)

FRU = NO

MARK	NUMBER	QTY	FRU	DESCRIPTION/NAME
2	96160479	1.0	Yes	LABEL, WHITE POLYESTER 50.8X6.35MM
1	2382791-4	1.0	No	PPC KV CONTROL V3

Table 4-62 Programmed kV Control P6.30BF4 (5117564-10 BOM, rev 1)

Power Unit Cables JEDI 60 DC (2246200-2)

FRU = YES

MARK	NUMBER	QTY	FRU	DESCRIPTION/NAME
1	2198184-2	1.0	Yes	KV MEASURE-FILAMENT CABLE JEDI 60 DC
2	2198185	1.0	Yes	KV MEASURE - GATE CMDE CABLE
3	2244693-2	1.0	Yes	PI FILTER GATE CMD CABLE JEDI 60 DC
4	2198191-2	1.0	Yes	KV MEASURE-KV CTRL CABLE JEDI 60 DC
5	2215908-2	1.0	Yes	KV CONTROL/CT IF CABLE JEDI 60 DC
6	2244694-2	1.0	Yes	PI FILTER-POWER UNIT CABLE

Table 4-63 Power Unit Cables JEDI 60 DC (2246200-2 BOM, rev 1)

PI Filter Assembly (2375375)

FRU = NO

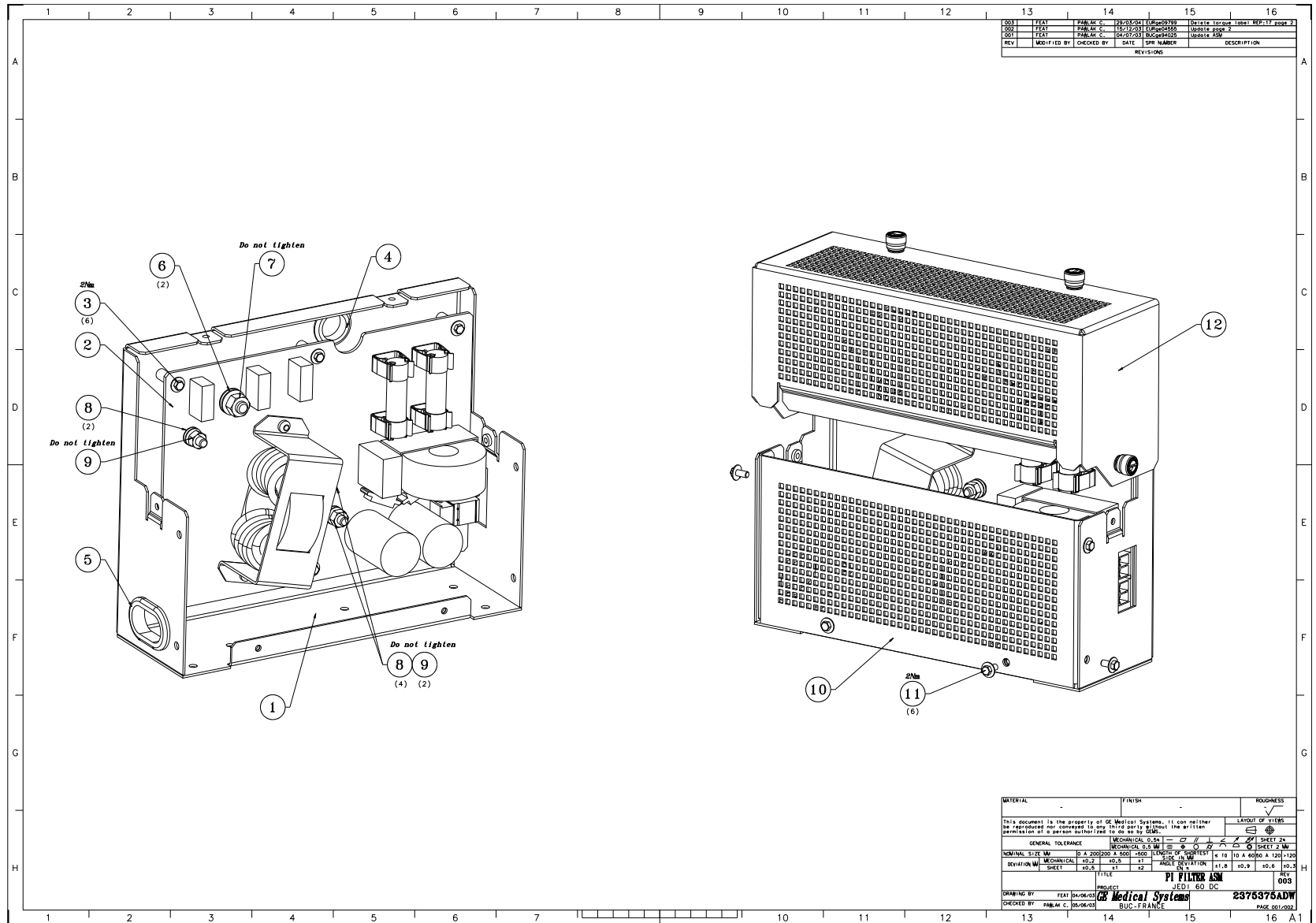


Figure 4-89 PI Filter Assembly (2375375ADW, sheet 1, rev 3)

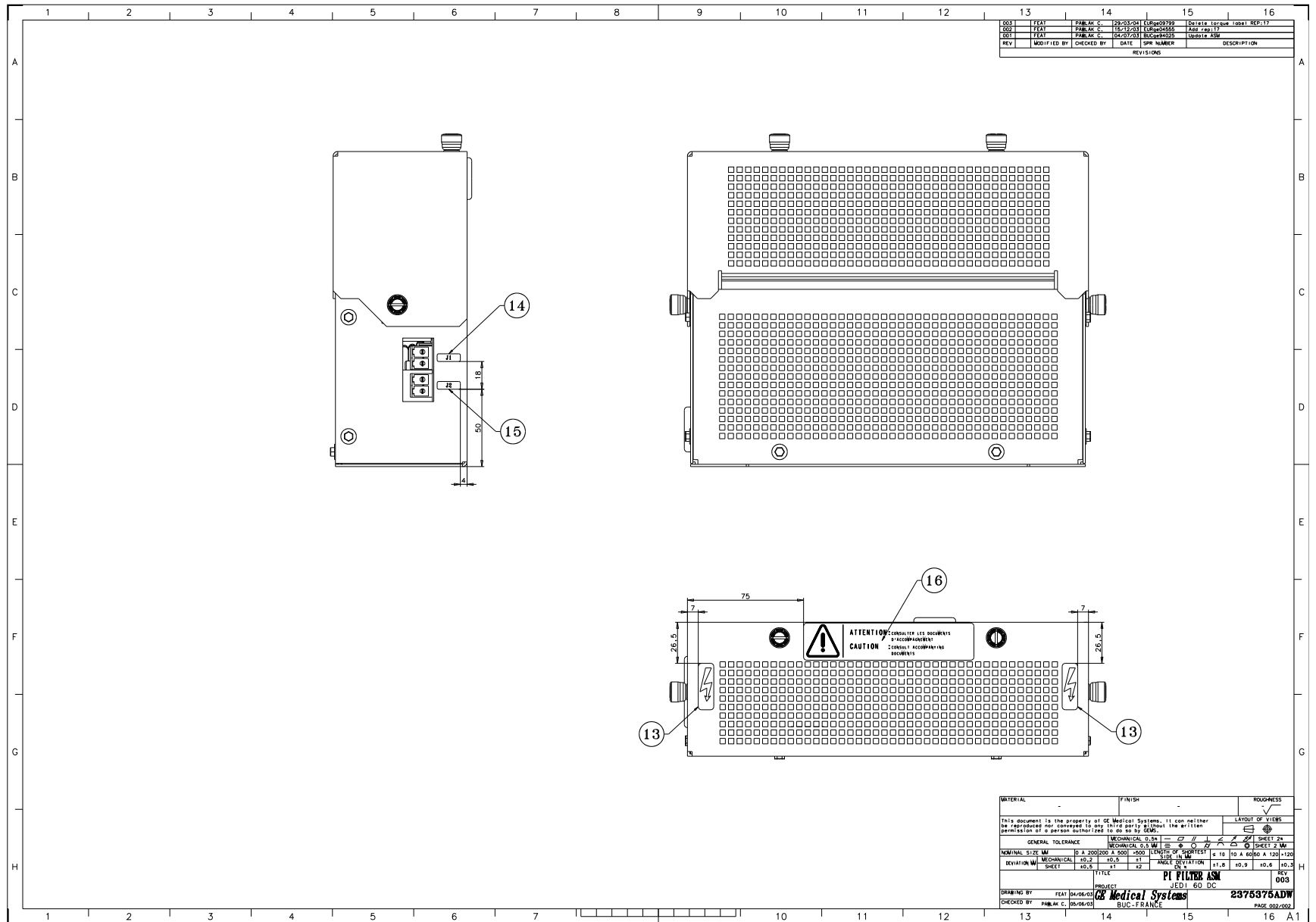


Figure 4-90 PI Filter Assembly (2375375ADW, sheet 2, rev 3)

MARK	NUMBER	QTY	FRU	DESCRIPTION/NAME
	2407556	1.0	Yes	PI FILTER BOARD (FRU)
2	2378699	1.0	Yes	PI FILTER BOARD
16	5263838	1.0	Yes	Warning Label
1	2375376	1.0	No	PI FILTER BRACKET
3	2279192	6.0	No	SCREW HEX FLANGE HEAD 4 MM 8 MM
4	C366727	1.0	No	PVC GROMMET
5	2294112	1.0	No	BUSHING,NEOP, D30/40 HOLE D35 THK1.5
6	2225465-2	2.0	No	WAVED WASHER M8 8,4X17X0,8 CU-BE
7	99019996	1.0	No	NUT HEXAGON M8 BRASS
8	2225465	6.0	No	WASHER WAVE 6.4 MM 12 MM
9	99019995	3.0	No	NUT HEXAGON M6 BRASS
10	2375374	1.0	No	PI FILTER FRONT
11	2279192	6.0	No	SCREW HEX FLANGE HEAD 4 MM 8 MM
12	2375373	1.0	No	PI FILTER COVER
13	45066649	2.0	No	VOLTAGE WARNING SYMBOL LABEL
14	2378961	1.0	No	LABEL J1
15	2378961-2	1.0	No	LABEL J2

Table 4-64 PI Filter Assembly (2375375 BOM, rev 6)

JEDI STD HV Tank (2186730)

FRU = NO

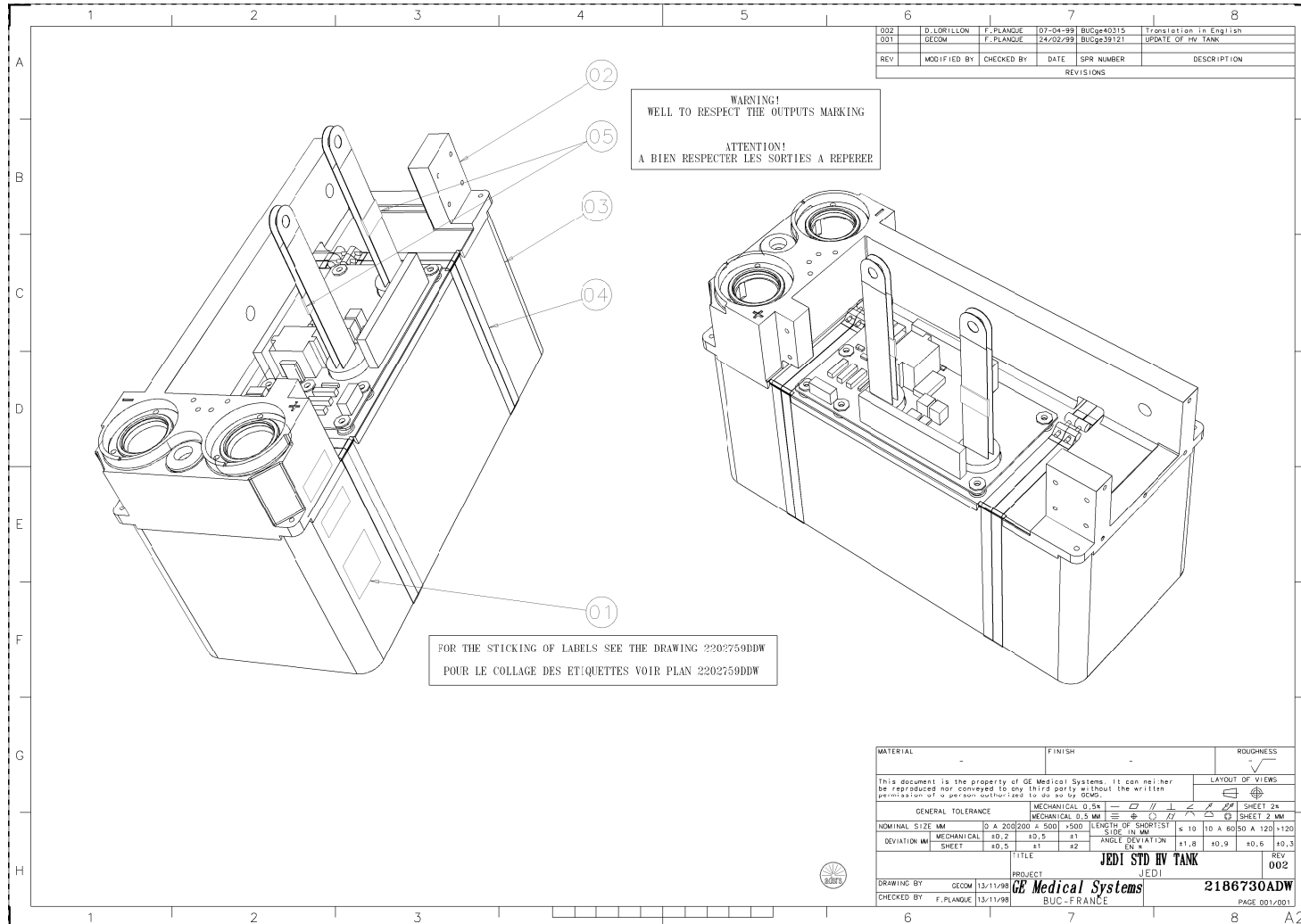


Figure 4-91 JEDI STD HV Tank (2186730ADW, sheet 1, rev 2)

MARK	NUMBER	QTY	FRU	DESCRIPTION/NAME
7	46-303268P1	1.0	Yes	PRODUCT LOCATOR CARD FORM FOR RATING PLATES, PRINTED BY DUPLITECH
1	2202759	1.0	No	LABELLING OF JEDI V2 HV UNIT
2	2186733-2	1.0	No	JEDI STD COVER EQUIPPED
3	2186763	1.0	No	JEDI TANK (RECIPIENT) EQUIPPED
4	2186766	4.0	No	EXTERNAL STRAP
5	99002537	0.08	No	SHRINK TUBING WHT D19/9,5 UL
6	45066649	1.0	No	VOLTAGE WARNING SYMBOL LABEL

Table 4-65 JEDI STD HV Tank (2186730 BOM, rev 11)

HEMIT Tank JEDI 60 DC (2237336-2)

FRU = NO

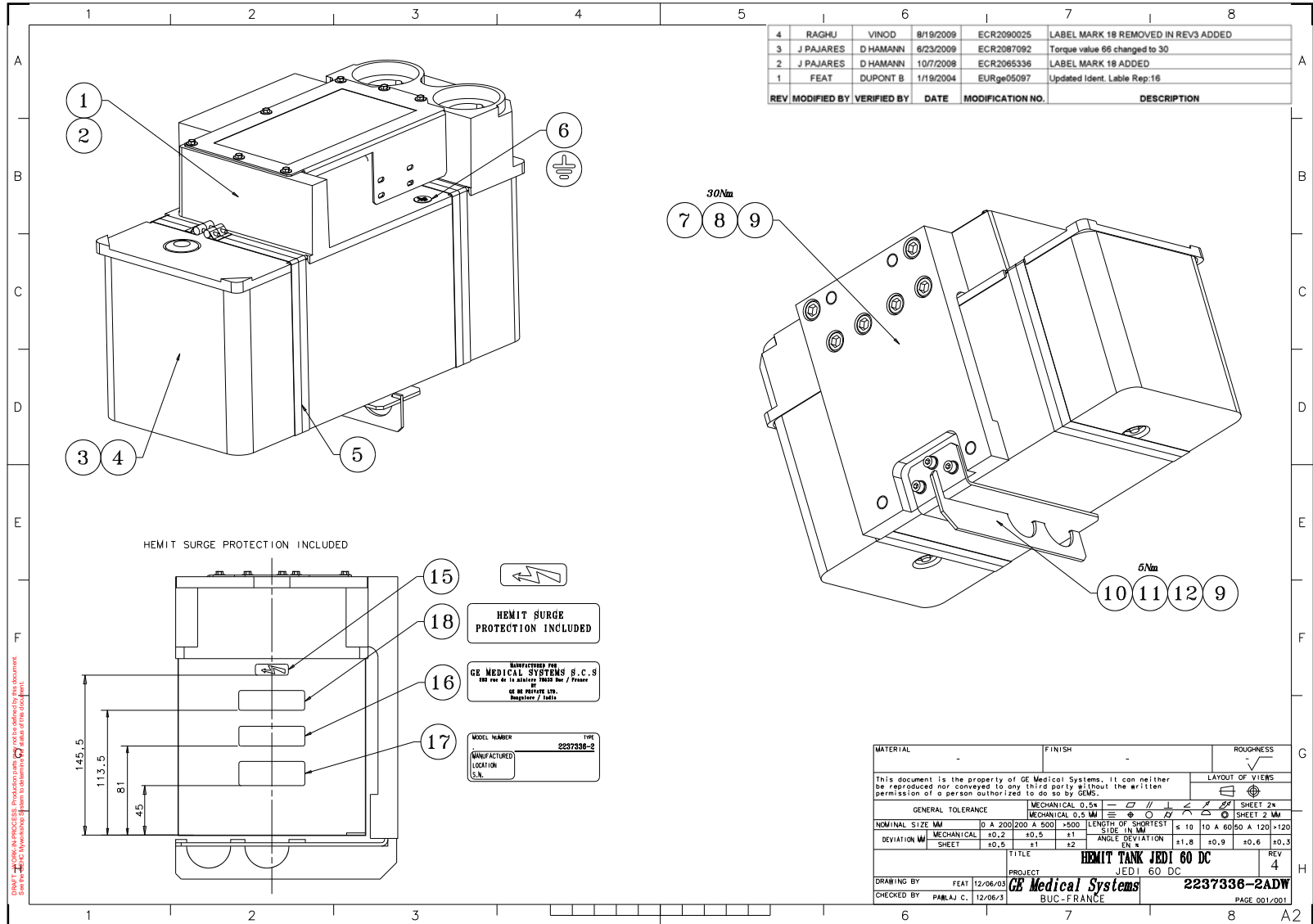


Figure 4-92 HEMIT Tank JEDI 60 DC (2237336-2ADW, sheet 1, rev 4)

MARK	NUMBER	QTY	FRU	DESCRIPTION/NAME
23	46-303268P1	1.0	Yes	PRODUCT LOCATOR CARD FORM FOR RATING PLATES, PRINTED BY DUPLITECH
1	2239703-2	1.0	No	EQUIPED COVER HEMIT JEDI 60 DC {For further detail, see Section , beginning on page 330.}
2	2104239-2	1.0	No	SCREW HEX FLANGE HEAD M4X8 INOX
3	2186763	1.0	No	JEDI TANK (RECIPIENT) EQUIPPED
4	2193561	1.0	No	O-RING ROUND 329.57 MM 6.99 MM
5	2186766	4.0	No	EXTERNAL STRAP
6	5264409	1.0	No	Grounding label
7	2374140	1.0	No	JEDI 60 DC -HEMIT MNT INTERFACE
10	2374290	1.0	No	JEDI 60 DC - HEMIT HOOK ASM
11	2192502-2	3.0	No	SCREW HEXAGON HEAD 6 MM 12 MM
12	2229599-4	3.0	No	WASHER FLAT ISO7089 M6 A4
15	45066649	1.0	No	VOLTAGE WARNING SYMBOL LABEL
16	2371435-2	1.0	No	IDENT LABEL FOR GE BEL INDIA
17	5308036	1.0	No	PRODUCT IDENTIFICATION LABEL ENGLISH
19	2238013-2	1.0	No	MACHINED COVER HEMIT JEDI 60 DC
21	5346691	6.0	No	M12 X 40 - Socket Head Cap Screw Class A4-70
22	5267352	2.0	No	CAP PLUG - BOUCHON DE PROTECTION -JEDI

Table 4-66 HEMIT Tank JEDI 60 DC (2237336-2 BOM, rev 10)

Equiped Cover HEMIT JEDI 60 DC (2239703-2)

FRU = NO

MARK	NUMBER	QTY	FRU	DESCRIPTION/NAME
	2409083	1.0	Yes	DC DISH BOARD (FRU)
17	2232519-2	1.0	Yes	DC DISH BOARD
50	2238082	1.0	Yes	HEMIT THERMAL SWITCH CABLE
56	46-136374P25	2.0	Yes	WIDTH .139 ID 1.984 DUROMETER A 70 BUNA N
57	46-136374P36	6.0	Yes	PARKER 2-010, BUNA N, ID 0.239 WIDTH .070 ID 0.239 DUROMETER A 70
58	46-208640P22	2.0	Yes	WIDTH .103 ID 1.612 DUROMETER A 70 BUNA-N
59	46-208640P23	2.0	Yes	WIDTH .103 ID 1.987 DUROMETER A 70 BUNA-N
60	46-219287P1	2.0	Yes	RING NUT
61	46-228337P1	9.0	Yes	1/4-20 INT THD 0.375 HEX X .19 THK BRASS B11H18C SPEC
65	99020256	4.0	Yes	TY-WRAP D22/L99X2.5
2	5315552	1.0	No	HEMIT SPIT FILTER
3	2159191	2.0	No	COMPENSATING GASKET
4	2199070	1.0	No	HV RECEPTACLE ROTATION CLAMP
5	2104239-2	2.0	No	SCREW HEX FLANGE HEAD M4X8 INOX
6	2199319	1.0	No	PLUG
9	2116261-2	1.0	No	SWITCH 220 VOLTS
10	2104087-4	2.0	No	SCREW HEX FLANGE HEAD 3 MM 6 MM
12	2104239-2	11.0	No	SCREW HEX FLANGE HEAD M4X8 INOX
16	99116072	4.0	No	SPACER MALE/FEM M4X30 INOX NONMAGNE
18	2104239-2	3.0	No	SCREW HEX FLANGE HEAD M4X8 INOX
19	2232751	1.0	No	HEMIT PLUG BOARD
20	2104239-2	6.0	No	SCREW HEX FLANGE HEAD M4X8 INOX
21	2193475	1.0	No	O-RING CORD 37.5 MM 3.15 MM
24	2238016	1.0	No	LOWER PLATE
25	2238024	2.0	No	BRACE
27	2238021	1.0	No	UPPER PLATE

Table 4-67 Equiped Cover HEMIT JEDI 60 DC (2239703-2 BOM, rev 7)

MARK	NUMBER	QTY	FRU	DESCRIPTION/NAME
28	2240250	1.0	No	SCREW CHEESE HEAD SLOT M8X30 NYLON
29	2238025	4.0	No	WASHER
30	99103107	4.0	No	SCREW
31	2238019	1.0	No	MACHINED LOWER PLATE
32	2238027	4.0	No	BRACE
33	2238028	4.0	No	WASHER
34	99131516	4.0	No	SCREW
35	2238018	1.0	No	MACHINED HEATING BASE
36	2186752	1.0	No	HEATER COVER
37	2238022	1.0	No	BRACKET
39	2238023	1.0	No	AXIS
40	2238017	1.0	No	SIDE PROTECTION
41	2240167	3.0	No	BRACKET
46	2238080	1.0	No	HEMIT HT CABLE (+HV)
47	2238081	1.0	No	CONNECTION HEMIT CABLE (L)
48	2238081-2	1.0	No	CONNECTION HEMIT CABLE (C)
49	2238081-3	1.0	No	CONNECTION HEMIT CABLE (S)
51	1000904P523	12.0	No	I.D. .252 O.D. .425 X .031 THK BRASS B11H89C
52	2192430-4	8.0	No	SCREW HEX SOCKET CAP M5X16 A4-70
54	2266172	1.0	No	KIT TRANSFORMATEURS HEMIT JEDI
55	2308704	1.0	No	HV CONNECTOR BRASS
62	46-239633G1	2.0	No	HI-VOLTAGE 3-PIN SHORT RED
63	60008166	1.0	No	JOINT
64	99012771	12.0	No	FLAT WASHER M4U STAINLESS PASS
66	99030539	1.0	No	SCREW
67	99052192	1.0	No	WASHER LOCK - SPRING 6.5 MM 10.4 MM
68	99116543	3.0	No	SCREW
69	99126263	3.0	No	SCREW

Table 4-67 Equiped Cover HEMIT JEDI 60 DC (2239703-2 BOM, rev 7) (Continued)

MARK	NUMBER	QTY	FRU	DESCRIPTION/NAME
70	99135324	1.0	No	SCREW
71	C333864	2.0	No	VIS H FENDUE M5X25 NYLON
72	2238026-2	1.0	No	PROTECTIVE SHEET METAL HEMIT JEDI 60

Table 4-67 Equiped Cover HEMIT JEDI 60 DC (2239703-2 BOM, rev 7) (Continued)

JH4 Auxliary Equiped V2 (2324118)

FRU = YES

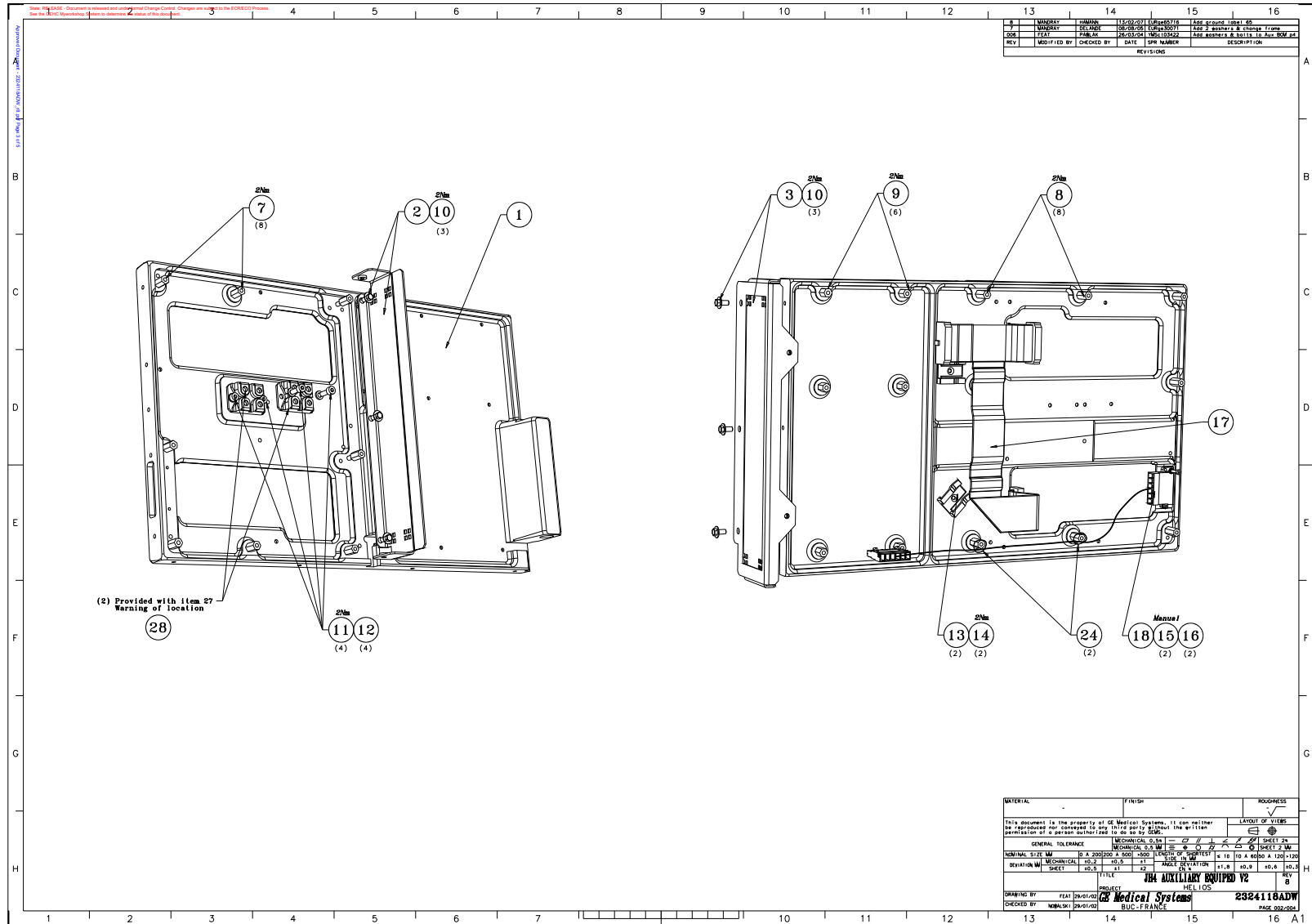


Figure 4-93 JH4 Auxliary Equiped V2 (2324118ADW, sheet 2, rev 8)

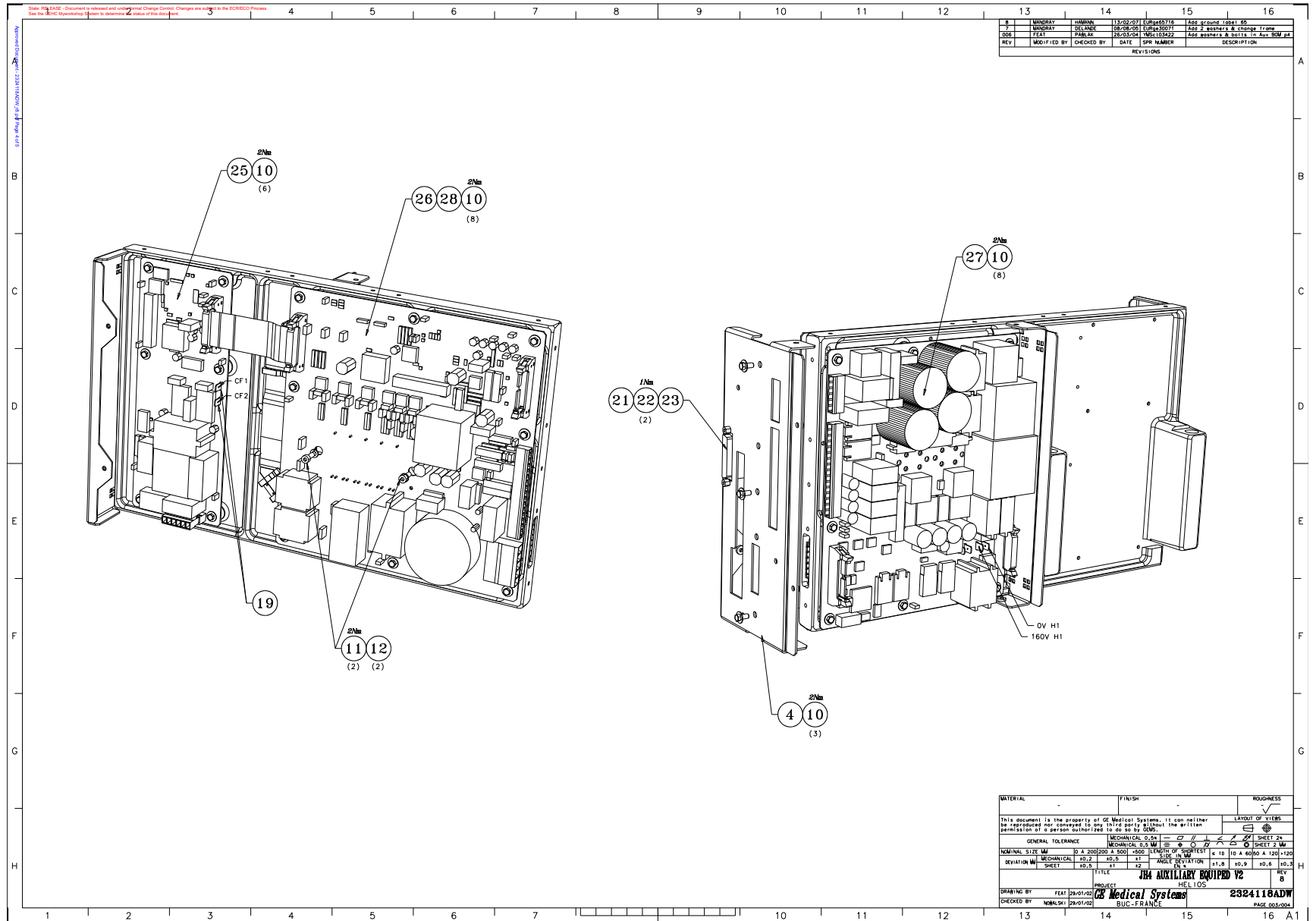


Figure 4-94 JH4 Auxliary Equiped V2 (2324118ADW, sheet 3, rev 8)

MARK	NUMBER	QTY	FRU	DESCRIPTION/NAME
18	2215839	1.0	Yes	HEATER/AUX. MODULE CABLE
23	46-170686P3	0.0	Yes	LOCTITE 242, 50CC 12 MONTH SHELF LIFE FROM DATE OF SHIPMENT FROM THE MANUFACTURER.
24	99020256	2.0	Yes	TY-WRAP D22/L99X2.5
25	2361419	1.0	Yes	PROGRAMMED HEATER V6.04
27	2325360-6	1.0	Yes	LVPS 400 (250V) BOOT 2.05/APPLI 2.36
40	2370733-2	1.0	Yes	IDENT. LABEL FOR GE XRAY INDIA
43	5263838	2.0	Yes	Warning Label
56	46-328432P7	2.0	Yes	WASHER LOCK - SPRING 12.2 MM 21.1 MM
57	2236649-5	2.0	Yes	WASHER, FLAT, ISO7089,M12, ST-HB200
1	2341841	1.0	No	JH4 AUXILIARY FRAME
2	2324123	1.0	No	JH4 AUXILIARY V2 SHEETMETAL 1
3	2324125	1.0	No	JH4 AUXILIARY V2 SHEETMETAL 3
4	2324124	1.0	No	JH4 AUXILIARY V2 SHEETMETAL 2
5	2324126	1.0	No	JH4 AUXILIARY V2 SHEETMETAL 4
6	2365731	1.0	No	JH4 AUXILIARY SHEETMETAL 5
7	2293809-2	8.0	No	STANDOFF/SPACER MALE/FEMALE 4 MM 12
8	99069709	8.0	No	STANDOFF/SPACER MALE/FEMALE 4 MM 15
9	91317704	6.0	No	BRASS HEXAGONAL SPACER M4X10 NI
10	2279192	52.0	No	SCREW HEX FLANGE HEAD 4 MM 8 MM
11	2192410-4	6.0	No	SCREW HEXAGON SOCKET 4 MM 12 MM
12	2229255-3	6.0	No	WASHER LOCK - SPRING 4.1 MM 7.6 MM
13	2142029	2.0	No	CLAMP OR CLIP FLAT CABLE 26 MM 10 MM
14	2193201-2	2.0	No	SCREW DIN7991 M4X10/8 A4-70
15	2192404-3	2.0	No	SCREW HEXAGON SOCKET 2.5 MM 10 MM
16	99132743	2.0	No	WASHER LOCK - EXTERNAL 2.6 MM 5.5 MM
17	2283354	1.0	No	JEDI H4 CAN INT LOCAL AUX CABLE

Table 4-68 JH4 Auxliary Equiped V2 (2324118 BOM, rev 23)

MARK	NUMBER	QTY	FRU	DESCRIPTION/NAME
19	2331374	1.0	No	JH4 AUXILIARY LVPS/HEATER 160V CABLE
21	2324128	1.0	No	JH4 AUXILIARY V2 CAN-INT CABLE
22	99155978	2.0	No	VERROU 1VIS F FIX SUBD L 7,9 4-40
26	2242440-12	1.0	No	PROGRAMMED ROTATION BOARD V5.07
28	2297644	0.0	No	HEATSINK SILICON GREASE 340
30	2108663-3	1.0	No	CLAMP,CLOSED/CABL D6.4X9.5 METAL M4
33	2326904	1.0	No	JH4 AUX. HOOK FOR MANUFACTURING
41	2327467	1.0	No	JH4-AUXILIARY MODULE IDENTIFICATION
44	45066649	2.0	No	VOLTAGE WARNING SYMBOL LABEL
45	2325487	1.0	No	LABEL ROTATION BOARD OUT PUT
46	2378961	1.0	No	LABEL J1
47	2378961-2	1.0	No	LABEL J2
48	2378961-3	1.0	No	LABEL J3
49	2378961-4	1.0	No	LABEL J4
50	2378961-5	1.0	No	LABEL J5
51	2378961-6	1.0	No	LABEL J6
52	2378961-7	1.0	No	LABEL J7
53	2378961-13	1.0	No	LABEL J13
55	5271598	2.0	No	SCREW HEXAGON SOCKET 12 MM 150 MM
58	99171626	3.0	No	PLASTIC ZIP LOCK BAG 160X220
59	45066417	2.0	No	POLYETHYLENE BAG 80X120X0,12
60	99188210	1.0	No	ANTISTATIC BAG 355X457
62	5180406	1.0	No	JEDI 60DC AUXILLIARY PACKING BOX
65	5308339	1.0	No	SYMBOLE DE TERRE FONCTIONNELLE

Table 4-68 JH4 Auxliary Equiped V2 (2324118 BOM, rev 23) (Continued)

JEDI 60DC Inter-Module Cable Set (2377667)

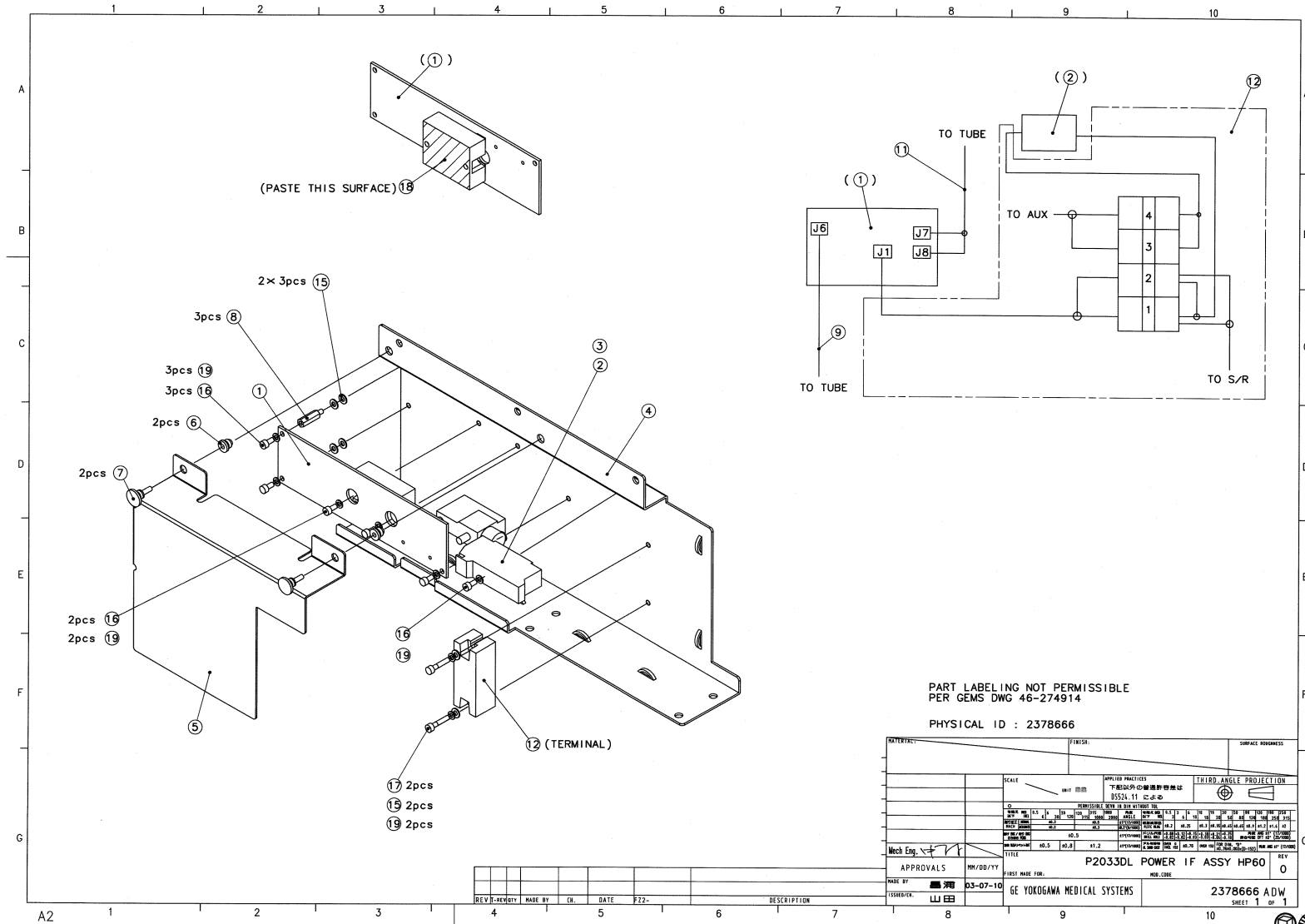
FRU = YES

MARK	NUMBER	QTY	FRU	DESCRIPTION/NAME
2	2381532-2	1.0	Yes	JEDI 60DC THERMAL PROTECTION CABLE
1	2381530	1.0	No	JEDI 60 DC DC BUS CABLE
3	2381533	1.0	No	JEDI 60 DC STATOR CABLE
4	2381535	1.0	No	JEDI 60 DC FILAMENT CABLE
5	2381536	1.0	No	JEDI 60 DC EXTERNAL 15V SUPPLY CABLE
6	2390782	1.0	No	JEDI 60 DC CAN CABLE

Table 4-69 JEDI 60DC Inter-Module Cable Set (2377667 BOM, rev 3)

3.1.14.11 P2033DL Power IF Assembly HP60 (2378666)

FRU = NO



MARK	NUMBER	QTY	FRU	DESCRIPTION/NAME
1	2320973	1.0	Yes	H4 POWER I/F
3	99170530	1.0	Yes	FUS T 10X38 8A 500V C 10KA ULL
6	U0401AE	2.0	Yes	CATCH H322-2-2
7	U0409AE	2.0	Yes	CATCH H323-2-1-2
8	U0101AG	3.0	Yes	STANDOFF/SPACER MALE/FEMALE 4 MM 20 FF-20
11	2377474	1.0	Yes	P2053RB TUBE THERMAL PRESSURE
15	N9401WS	8.0	Yes	WASHER PLAIN _ LARGE 4.3 MM 9 MM WASHER 4.3x9x0.8 FE ZN
16	N9408ZX	6.0	Yes	SCREW HEXAGON SOCKET 4 MM 8 MM CAP SCREW 4X8 FE
18	U0104BD	0.0	Yes	SH340 SILICON GREASE
2	2363236	1.0	No	FUSE HOLDER, 20A (H4)
4	2370278	1.0	No	POWER-IF-PLATE
5	2370276	1.0	No	POWER-IF-COVER
9	2368770	1.0	No	P2053RR TUBE TO POWER INTERFACE BOAR
12	2368450	1.0	No	P2053RD 120V LVPS
17	N9420ZX	2.0	No	SCREW HEXAGON SOCKET 4 MM 20 MM CAP SCREW 4X20 FE
19	N9400SS	8.0	No	WASHER

Table 4-70 P2033DL Power IF Assembly HP60 (2378666 BOM, rev 5)

3.1.14.12 DAS-DET Plate Assembly, 9.88 Steel, GDAS, EMC Ed. 2 (2358133-4)

FRU = NO

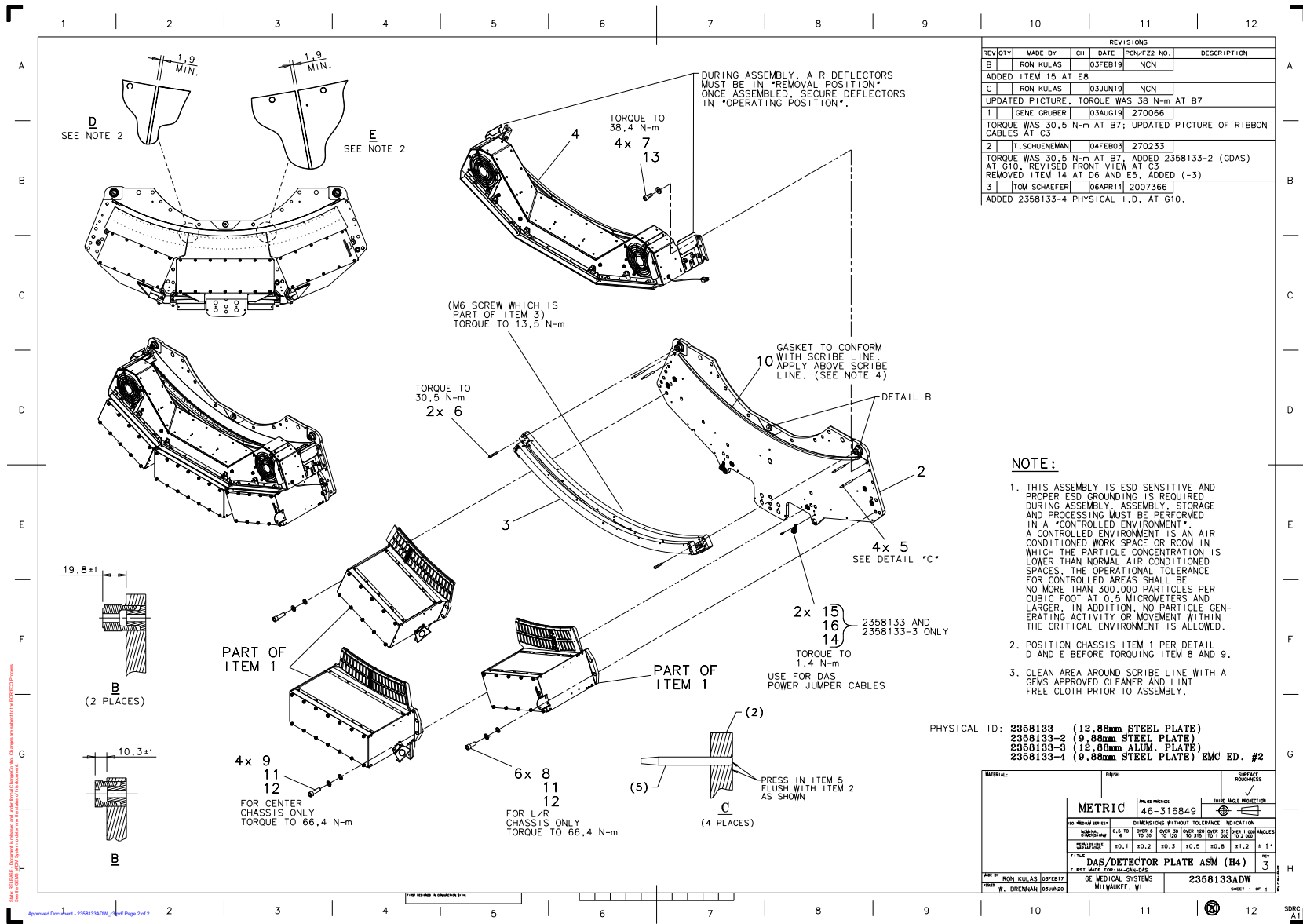


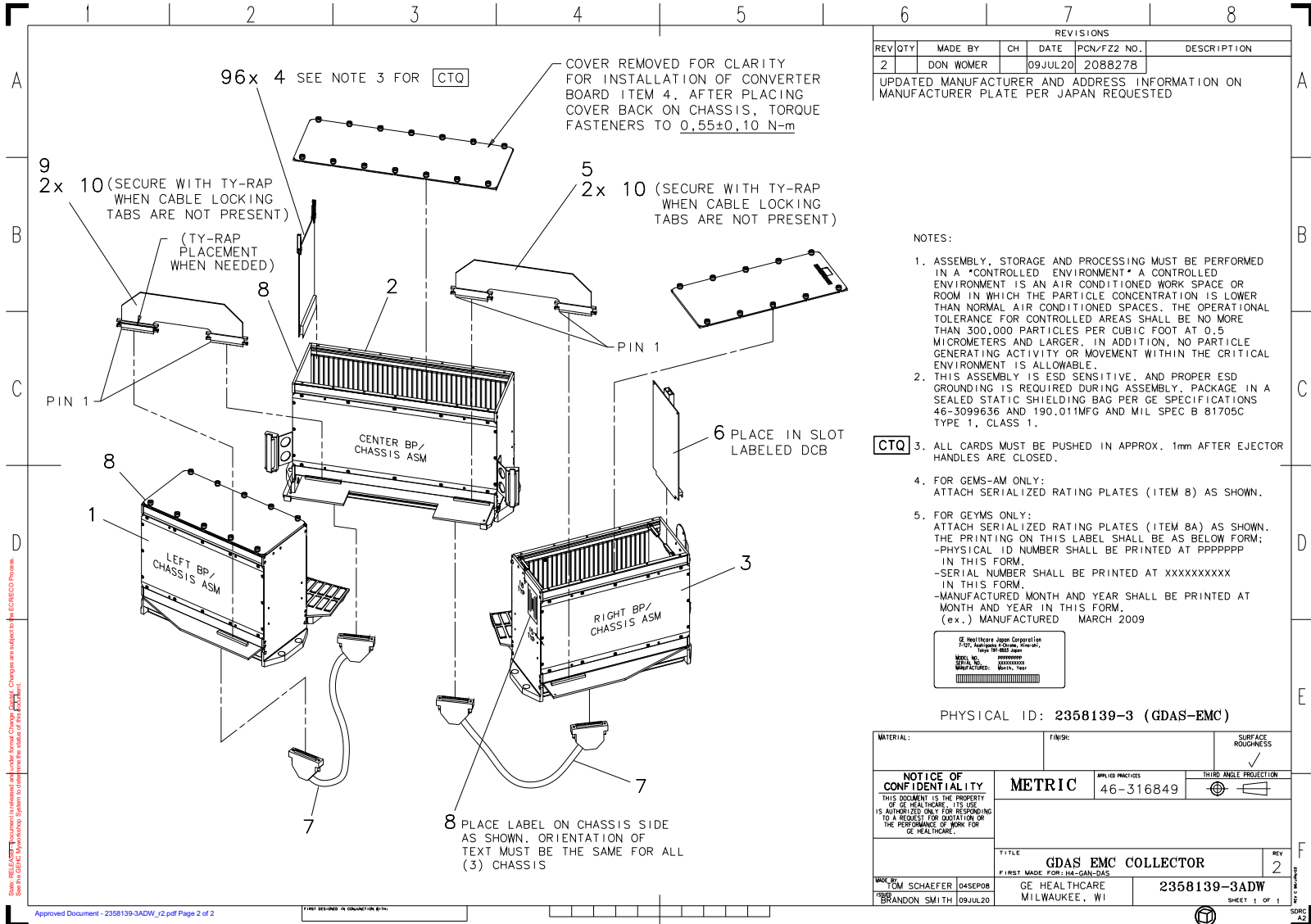
Figure 4-97 DAS-DET Plate Assembly, 9.88 Steel, GDAS, EMC Ed. 2 (2358133ADW, sheet 1, rev 1)

MARK	NUMBER	QTY	FRU	DESCRIPTION/NAME
3	2354053	1.0	Yes	WATSON16 DET ASM W/DIODE UPGRADE {For further detail, see Section , beginning on page 362.}
6	2336874	2.0	Yes	SCREW FLANGE SOCKET H 10 MM 40 MM
7	46-328417P22	4.0	Yes	SCREW HEXAGON SOCKET 10 MM 20 MM ZINC PLATED, STEEL
8	46-328417P64	6.0	Yes	SCREW HEXAGON SOCKET 12 MM 30 MM
9	46-328417P66	4.0	Yes	SCREW HEXAGON SOCKET 12 MM 40 MM
10	2219517	1.0	Yes	EMI GASKET CHOMERICS 1000, .75 X .75
11	46-313575P7	10.0	Yes	HIGH COLLAR LOCK WASHER - M12 SCREW
12	2275713-8	10.0	Yes	WASHER, FLAT NON STD FOR M12 20 OD
13	46-328432P4	4.0	Yes	WASHER LOCK - SPRING 10.2 MM 18.1 MM ZINC PLATED, SPRING STEEL
14	46-170686P3	0.0	Yes	LOCTITE 242, 50CC 12 MONTH SHELF LIFE FROM DATE OF SHIPMENT FROM THE MANUFACTURER.
1	2358139-3	1.0	No	GDAS EMC Collector Asm {For further detail, see Section , beginning on page 346.}
2	2392114	1.0	No	DETECTOR PLATE SUB-ASM, STEEL (GDAS) {For further detail, see Section , beginning on page 360.}
4	2333651	1.0	No	DAS DUCT FAN ASM (H16) {For further detail, see Section , beginning on page 366.}
5	2136615	4.0	No	GUIDE PIN FOR ALIGNMENT

Table 4-71 DAS-DET Plate Assembly, 9.88 Steel, GDAS, EMC Ed. 2 (2358133-4 BOM, rev 2)

GDAS EMC Collector Assembly (2358139-3)

FRU = NO



REVISIONS						
REV	QTY	MADE BY	CH	DATE	PCN/F22 NO.	DESCRIPTION
2		DON WOMER		09JUL20	2088278	UPDATED MANUFACTURER AND ADDRESS INFORMATION ON MANUFACTURER PLATE PER JAPAN REQUESTED

NOTES:

- ASSEMBLY, STORAGE AND PROCESSING MUST BE PERFORMED IN A "CONTROLLED ENVIRONMENT" A CONTROLLED ENVIRONMENT IS AN AIR CONDITIONED WORK SPACE OR ROOM IN WHICH THE PARTICLE CONCENTRATION IS LOWER THAN NORMAL AIR CONDITIONED SPACES. THE OPERATIONAL TOLERANCE FOR CONTROLLED AREAS SHALL BE NO MORE THAN 300,000 PARTICLES PER CUBIC FOOT AT 0.5 MICROMETERS AND LARGER. IN ADDITION, NO PARTICLE GENERATING ACTIVITY OR MOVEMENT WITHIN THE CRITICAL ENVIRONMENT IS ALLOWABLE.
- THIS ASSEMBLY IS ESD SENSITIVE, AND PROPER ESD GROUNDING IS REQUIRED DURING ASSEMBLY. PACKAGE IN A SEALED STATIC SHIELDING BAG PER GE SPECIFICATIONS 46-3099636 AND 190.011MFG AND MIL SPEC B 81705C TYPE 1, CLASS 1.
- ALL CARDS MUST BE PUSHED IN APPROX. 1mm AFTER EJECTOR HANDLES ARE CLOSED.
- FOR GEMS-AM ONLY: ATTACH SERIALIZED RATING PLATES (ITEM 8) AS SHOWN.
- FOR GEYMS ONLY: ATTACH SERIALIZED RATING PLATES (ITEM 8A) AS SHOWN. THE PRINTING ON THIS LABEL SHALL BE AS BELOW FORM; -PHYSICAL ID NUMBER SHALL BE PRINTED AT PXXXXXX IN THIS FORM. -SERIAL NUMBER SHALL BE PRINTED AT XXXXXXXX IN THIS FORM. -MANUFACTURED MONTH AND YEAR SHALL BE PRINTED AT MONTH AND YEAR IN THIS FORM. (ex.) MANUFACTURED MARCH 2009

CTQ



PHYSICAL ID: 2358139-3 (GDAS-EMC)

MATERIAL:	FINISH:	SURFACE ROUGHNESS:
NOTICE OF CONFIDENTIALITY	METRIC	APPLIED PRACTICES: 46-316849
THIS DOCUMENT IS THE PROPERTY OF GE HEALTHCARE. ITS USE IS AUTHORIZED ONLY FOR RESPONDING TO A REQUEST FOR DETAILS OF THE PERFORMANCE OF WORK FOR GE HEALTHCARE.	THIRD ANGLE PROJECTION	
TITLE: GDAS EMC COLLECTOR	REV: 2	
FIRST MADE FOR: H43-0435		
MADE BY: SCHAEFER 04SEP08	GE HEALTHCARE MILWAUKEE, WI	2358139-3ADW
BY: BRANDON SMITH 09JUL20		SHEET 1 OF 1

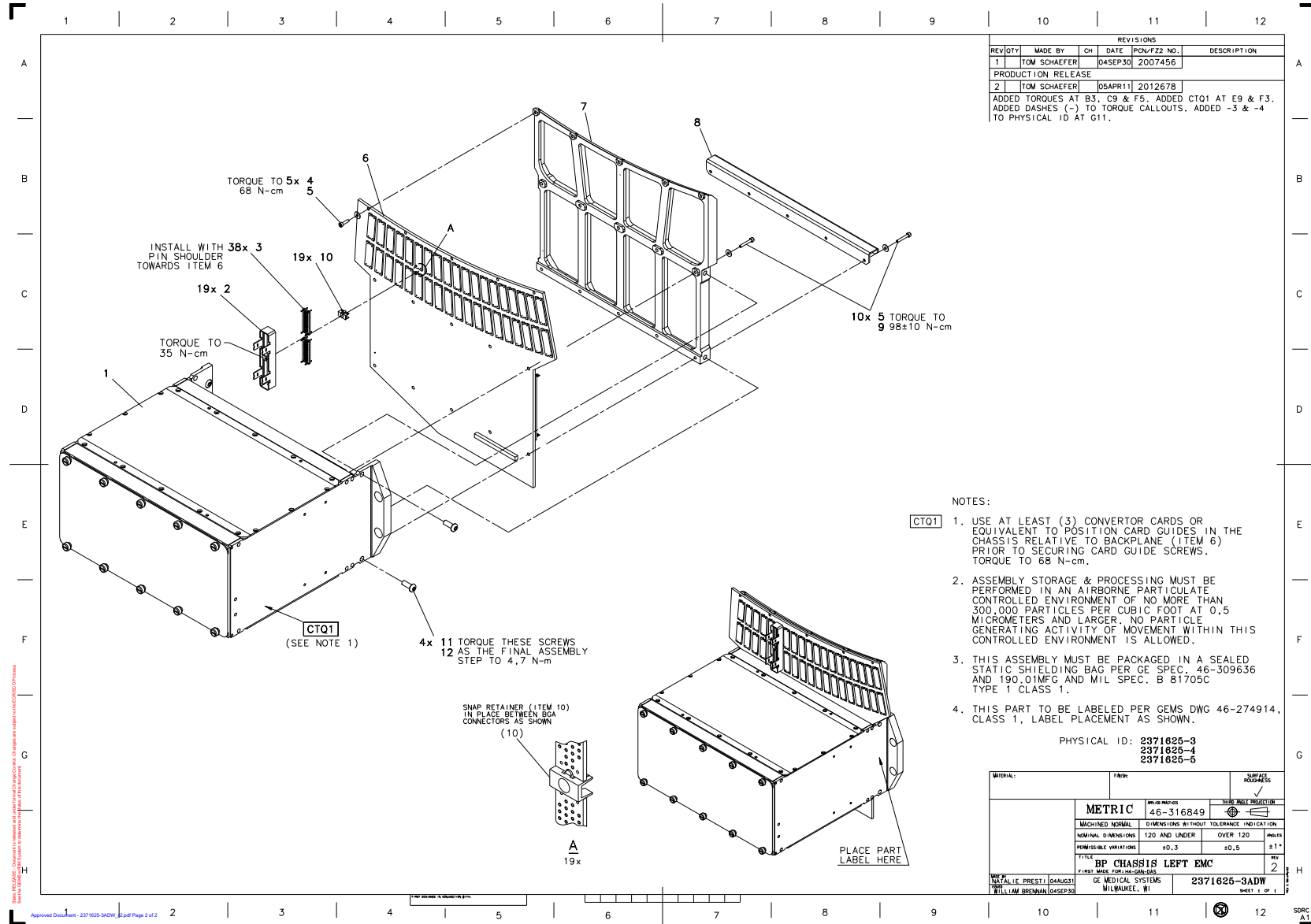
Figure 4-98 GDAS EMC Collector Assembly (2358139-3ADW, sheet 1, rev 2)

MARK	NUMBER	QTY	FRU	DESCRIPTION/NAME
	2207303-6	1.0	Yes	SAFE SKIN NITRILE GLOVE, LARGE
	2207303-7	1.0	Yes	SAFE SKIN NITRILE GLOVE, EXTRA LARGE
	2226685	1.0	Yes	134A REMOVES MICROSCOPIC DUST
	2274104	1.0	Yes	CONTACT, CIRCUIT BOARD CLEANER
	2318808-3	1.0	Yes	(5) CONNECTORS, 150 PIN INTERPOSER 0.050~ IN PLASTIC TUBE
	2327387-2	1.0	Yes	DDIF DUST SHIELD FIELD KIT
	2343148-2	1.0	Yes	ESD BOOT (10 PCS. BAGGED AND BOXED)
	2343148-3	1.0	Yes	ESD BOOT (80 PCS. BAGGED AND BOXED)
	2404393	96.0	Yes	16 SLICE GDAS CONVERTER CARD FRU, A CONVERTER CARD IN AN ESD BAG IN A BOX WITH A PART NUMBER LABEL
1	2371625-4	1.0	Yes	GDAS 16 Slice LEFT BP-Chassis Asm EMC Edition 1-2 {For further detail, see Section , beginning on page 348.}
2	2371626-4	1.0	Yes	GDAS-MDAS 16 Slice CENTER BP-Chassis Asm {For further detail, see Section , beginning on page 352.}
3	2371627-4	1.0	Yes	GDAS-MDAS 16 Slice RIGHT BP-Chassis Asm EDITION 1-2 {For further detail, see Section , beginning on page 356.}
4	5955032	96.0	Yes	GDAS Convertor 16 Slice PWA
5	5112510-3	1.0	Yes	Right EMC Signal Cable
6	2361853-3	1.0	Yes	GDAS 16 slice DCB with direction connection
7	2287134-4	2.0	Yes	Harness, GDAS Jumper, ED.2 EMC
8	46-302200P7	3.0	Yes	SERIAL #, MODEL# DESCRIPTION & MANUFACTURED DATE 2.25 X 1.40 PLATE
9	5112510-4	1.0	Yes	Left EMC Signal Cable
10	46-208758P10	4.0	Yes	8.00~ X .094~ SELF-LOCKING CABLE TIE 1/16~ TO 2~ WIRE BUNDLE RANGE. 18LB TENSILE STRENGTH, NYLON MATR~L. SAME AS 46-208758P7 EXCEPT RESTRICT VENDOR TO T&B. TIE MUST BE .094~ WID E. (DWG REV 5/92, JFK - OK).

Table 4-72 GDAS EMC Collector Assembly (2358139-3 BOM, rev 10)

GDAS 16 Slice LEFT BP-Chassis Assembly EMC Edition 1-2 (2371625-4)

FRU = YES



REVISIONS					
REV	QTY	MADE BY	CH	DATE	PCN/EZZ NO. DESCRIPTION
1		TOM SCHAEFER		04SEP30	2007456
PRODUCTION RELEASE					
2		TOM SCHAEFER		05APR11	2012678

ADDED TORQUES AT B3, C9 & F5. ADDED CTQ1 AT E9 & F3. ADDED DASHES (-) TO TORQUE CALLOUTS. ADDED -3 & -4 TO PHYSICAL ID AT G11.

NOTES:

- CTQ1 1. USE AT LEAST (3) CONVERTOR CARDS OR EQUIVALENT TO POSITION CARD GUIDES IN THE CHASSIS RELATIVE TO BACKPLANE (ITEM 6) PRIOR TO SECURING CARD GUIDE SCREWS. TORQUE TO 68 N-cm.
- 2. ASSEMBLY STORAGE & PROCESSING MUST BE PERFORMED IN AN AIRBORNE PARTICULATE CONTROLLED ENVIRONMENT OF NO MORE THAN 300,000 PARTICLES PER CUBIC FOOT AT 0.5 MICROMETERS AND LARGER. NO PARTICLE GENERATING ACTIVITY OF MOVEMENT WITHIN THIS CONTROLLED ENVIRONMENT IS ALLOWED.
- 3. THIS ASSEMBLY MUST BE PACKAGED IN A SEALED STATIC SHIELDING BAG PER GE SPEC. 46-309636 AND 190.01MFG AND MIL SPEC. B 81705C TYPE 1 CLASS 1.
- 4. THIS PART TO BE LABELED PER GEMS DWG 46-274914, CLASS 1, LABEL PLACEMENT AS SHOWN.

PHYSICAL ID: 2371625-3
2371625-4
2371625-5

MATERIAL:	FINISH:	FINISH:	SURFACE ROUGHNESS:
METRIC		46-316849	3
MACHINED NORMAL DIMENSIONS	120 AND UNDER	±0.3	±0.5
TITLE: BP CHASSIS LEFT EMC			
DRAWN BY: PRESTI (04493)		GE MEDICAL SYSTEMS	
CHECKED BY: WILLIAM BRENNAN (04593)		WILBAKEE, WI	
		2371625-3ADW	
		SHEET 1 OF 1	

Figure 4-99 GDAS 16 Slice LEFT BP-Chassis Assembly EMC Edition 1-2 (2371625-3ADW, sheet 1, rev 2)

MARK	NUMBER	QTY	FRU	DESCRIPTION/NAME
2	2327387	19.0	Yes	DDIF DUST SHIELD
3	2318808-2	38.0	Yes	CONNECTOR 150-PIN INTERPOSER 0.050 FLEX TO PCB, WITH GUIDE PINS
5	46-328430P9	15.0	Yes	WASHER PLAIN - NORMAL 3.2 MM 7 MM
10	2335070	19.0	Yes	RETAINER CLIP
11	46-328420P6	4.0	Yes	SCREW BUTTON HEAD 6 MM 12 MM BLACK OXIDE, STEEL
12	46-170686P3	0.0	Yes	LOCTITE 242, 50CC 12 MONTH SHELF LIFE FROM DATE OF SHIPMENT FROM THE MANUFACTURER.
1	2371628-2	1.0	No	Chassis Left EMC Asm - GDAS {For further detail, see Section , beginning on page 350.}
4	2270471-5	5.0	No	M3X10MM HEX CAP SCREW W/NYLON PATCH
6	5113700-3	1.0	No	GDAS 16 SLICE EDITION1-2 LEFT BP
7	2370890-2	1.0	No	STIFFENER, LEFT DAS - MACHINING (H4)
8	2331838-2	1.0	No	SUPPORT, EMI GASKET - LEFT_DAS
9	2270471-6	10.0	No	M3X30MM HEX CAP SCREW W/NYLON PATCH

Table 4-73 GDAS 16 Slice LEFT BP-Chassis Assembly EMC Edition 1-2 (2371625-4 BOM, rev 1)

Chassis Left EMC Asm - GDAS (2371628-2)

FRU = NO

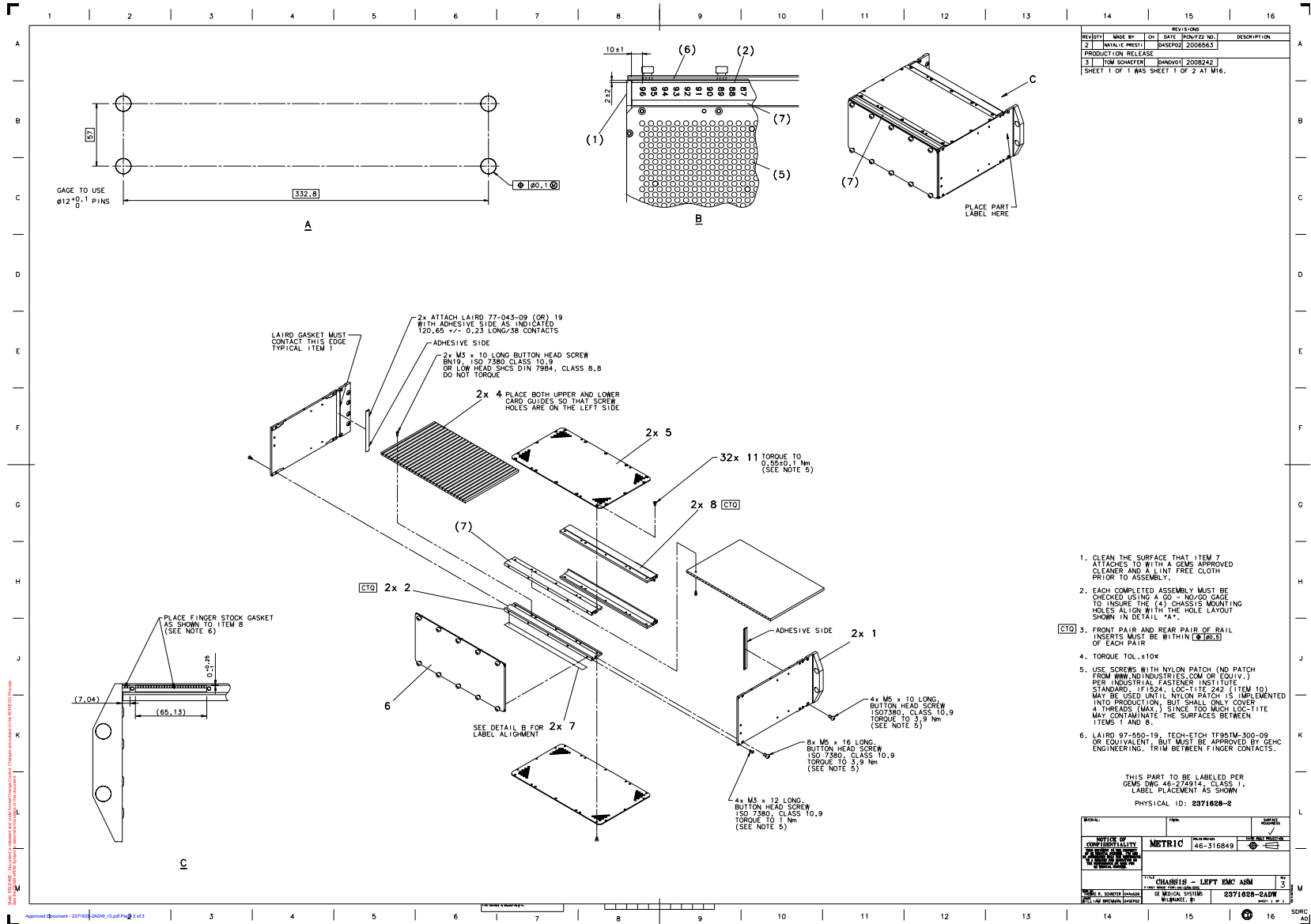


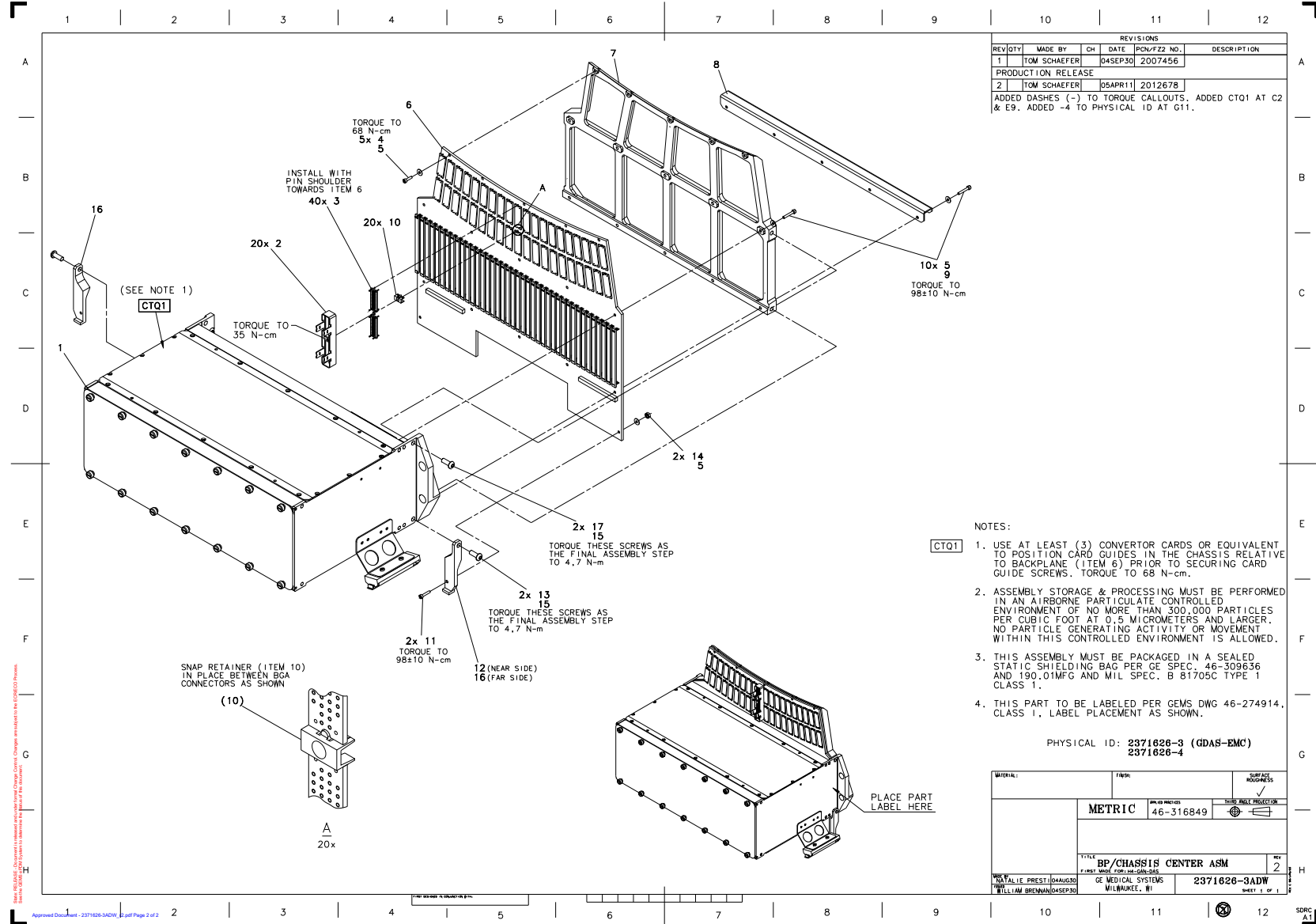
Figure 4-100 Chassis Left EMC Asm - GDAS (2371628-2ADW, sheet 1, rev 3)

MARK	NUMBER	QTY	FRU	DESCRIPTION/NAME
6	2372245	1.0	Yes	COVER, LEFT DAS CHASSIS (H4)
10	46-170686P3	0.0	Yes	LOCTITE 242, 50CC 12 MONTH SHELF LIFE FROM DATE OF SHIPMENT FROM THE MANUFACTURER.
11	2103580-38	32.0	Yes	SCREW COUNTERSUNK HEA 3 MM 6 MM
1	5121984	2.0	No	Side Plate, Rt-Lt DAS Chassis
2	5121994-2	2.0	No	Front Rail, DAS Chassis
4	2331428-2	2.0	No	CARD GUIDE-LEFT 16 SLICE
5	5121979-2	2.0	No	EMC Shield, DAS Chassis, Left
7	2372495-3	2.0	No	LABEL, DAS CHASSIS LEFT (H4)
8	5121995-2	2.0	No	Rear Rail, DAS Chassis

Table 4-74 Chassis Left EMC Asm - GDAS (2371628-2 BOM, rev 3)

GDAS-MDAS 16 Slice Center BP-Chassis Assembly (2371626-4)

FRU = YES



REVISIONS						
REV	QTY	MADE BY	CHK	DATE	IRCAFFZ2 NO.	DESCRIPTION
1		TOM SCHAEFER		04SEP90	2007456	
PRODUCTION RELEASE						
2		TOM SCHAEFER		05APR11	2012678	

ADDED DASHES (-) TO TORQUE CALLOUTS. ADDED CTQ1 AT C2 & E9. ADDED -4 TO PHYSICAL ID AT G11.

- NOTES:
- 1. USE AT LEAST (3) CONVERTOR CARDS OR EQUIVALENT TO POSITION CARD GUIDES IN THE CHASSIS RELATIVE TO BACKPLANE (ITEM 6) PRIOR TO SECURING CARD GUIDE SCREWS. TORQUE TO 68 N-cm.
 - 2. ASSEMBLY STORAGE & PROCESSING MUST BE PERFORMED IN AN AIRBORNE PARTICULATE CONTROLLED ENVIRONMENT OF NO MORE THAN 300,000 PARTICLES PER CUBIC FOOT AT 0.5 MICROMETERS AND LARGER. NO PARTICLE GENERATING ACTIVITY OR MOVEMENT WITHIN THIS CONTROLLED ENVIRONMENT IS ALLOWED.
 - 3. THIS ASSEMBLY MUST BE PACKAGED IN A SEALED STATIC SHIELDING BAG PER GE SPEC. 46-309636 AND 190.01MFG AND MIL SPEC. B 81705C TYPE 1 CLASS 1.
 - 4. THIS PART TO BE LABELED PER GEMS DWG 46-274914. CLASS 1. LABEL PLACEMENT AS SHOWN.

PHYSICAL ID: 2371626-3 (GDAS-EMC)
2371626-4

MATERIAL:	FINISH:	SURFACE TREATMENT:
		✓
METRIC		46-316849
TITLE: BP/CHASSIS CENTER ASM		
REV: 2		
APPROVED BY: WILLIAM BRENNAN	DATE: 04SEP90	GE MEDICAL SYSTEMS MILWAUKEE, WI
2371626-3ADW		SHEET 1 OF 1

Figure 4-101 GDAS-MDAS 16 Slice Center BP-Chassis Assembly (2371626-3ADW, sheet 1, rev 2)

MARK	NUMBER	QTY	FRU	DESCRIPTION/NAME
2	2327387	20.0	Yes	DDIF DUST SHIELD
3	2318808-2	40.0	Yes	CONNECTOR 150-PIN INTERPOSER 0.050 FLEX TO PCB, WITH GUIDE PINS
5	46-328430P9	17.0	Yes	WASHER PLAIN - NORMAL 3.2 MM 7 MM
10	2335070	20.0	Yes	RETAINER CLIP
11	46-328417P75	2.0	Yes	SCREW HEXAGON SOCKET 3 MM 16 MM
13	46-328420P7	2.0	Yes	SCREW BUTTON HEAD 6 MM 16 MM BLACK OXIDE, STEEL
14	46-312346P1	2.0	Yes	M3 X 0.5 ZINC PLATED METRIC HEX NUT WITH ATTACHED TOOTH LOCK WASHER
15	46-170686P3	0.0	Yes	LOCTITE 242, 50CC 12 MONTH SHELF LIFE FROM DATE OF SHIPMENT FROM THE MANUFACTURER.
17	46-328420P6	2.0	Yes	SCREW BUTTON HEAD 6 MM 12 MM BLACK OXIDE, STEEL
1	2371630-2	1.0	No	Chassis Center EMC Asm - GDAS {For further detail, see Section , beginning on page 354.}
4	2270471-5	5.0	No	M3X10MM HEX CAP SCREW W/NYLON PATCH
6	5113702-2	1.0	No	GDAS-MDAS 16 SLICE EDITION1-2 CENTER BP
7	2370891-2	1.0	No	STIFFENER, CENTER DAS-MACHINING (H4)
8	2331838	1.0	No	SUPPORT, EMI GASKET - CENTER DAS
9	2270471-6	10.0	No	M3X30MM HEX CAP SCREW W/NYLON PATCH
12	2372331	1.0	No	BRACKET, CTR BACKPLANE SUPPORT RIGHT
16	2372331-2	1.0	No	BRACKET, CTR BACKPLANE SUPPORT LEFT

Table 4-75 GDAS-MDAS 16 Slice Center BP-Chassis Assembly (2371626-4 BOM, rev 1)

Chassis Center EMC Asm - GDAS (2371630-2)

FRU = NO

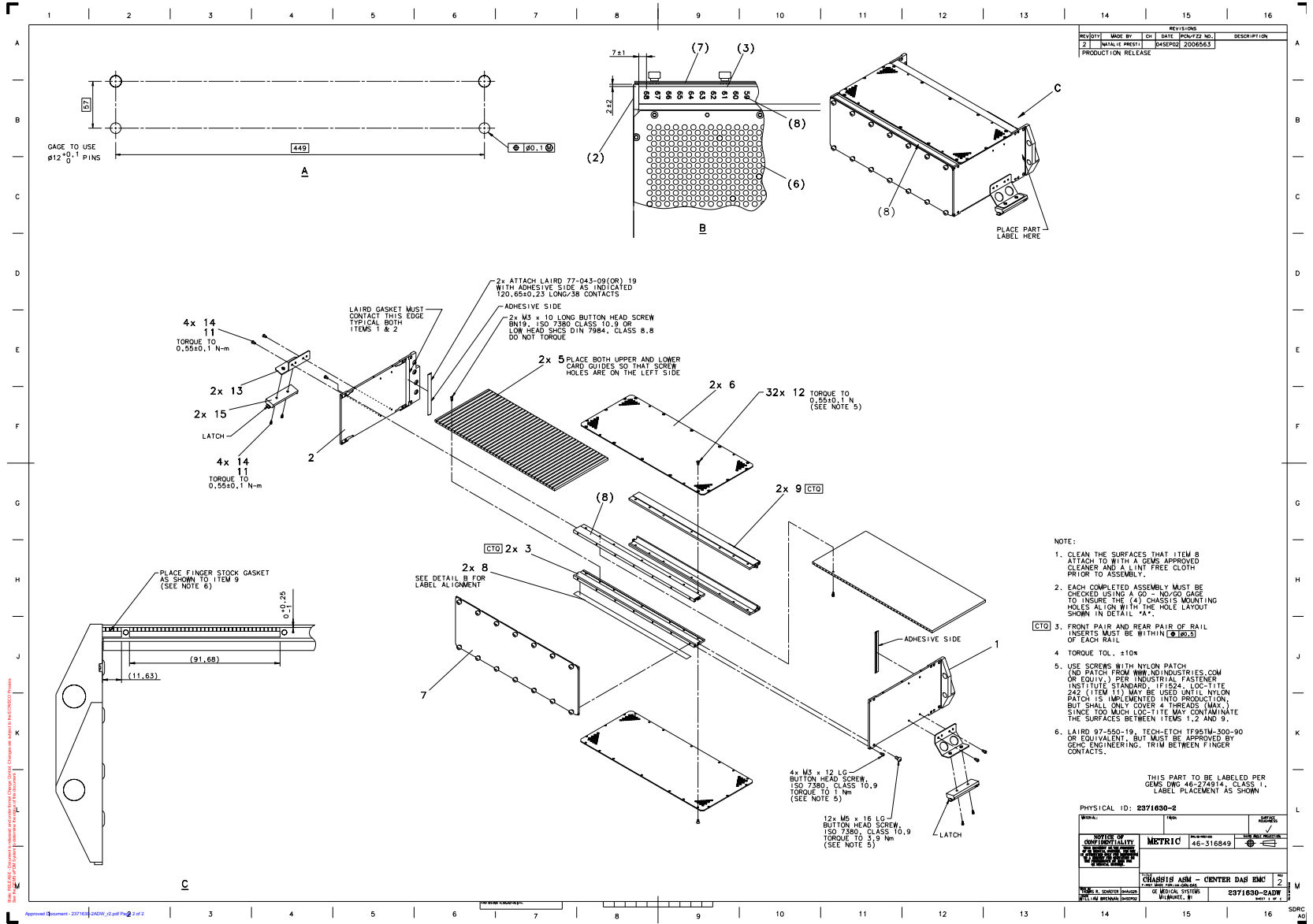


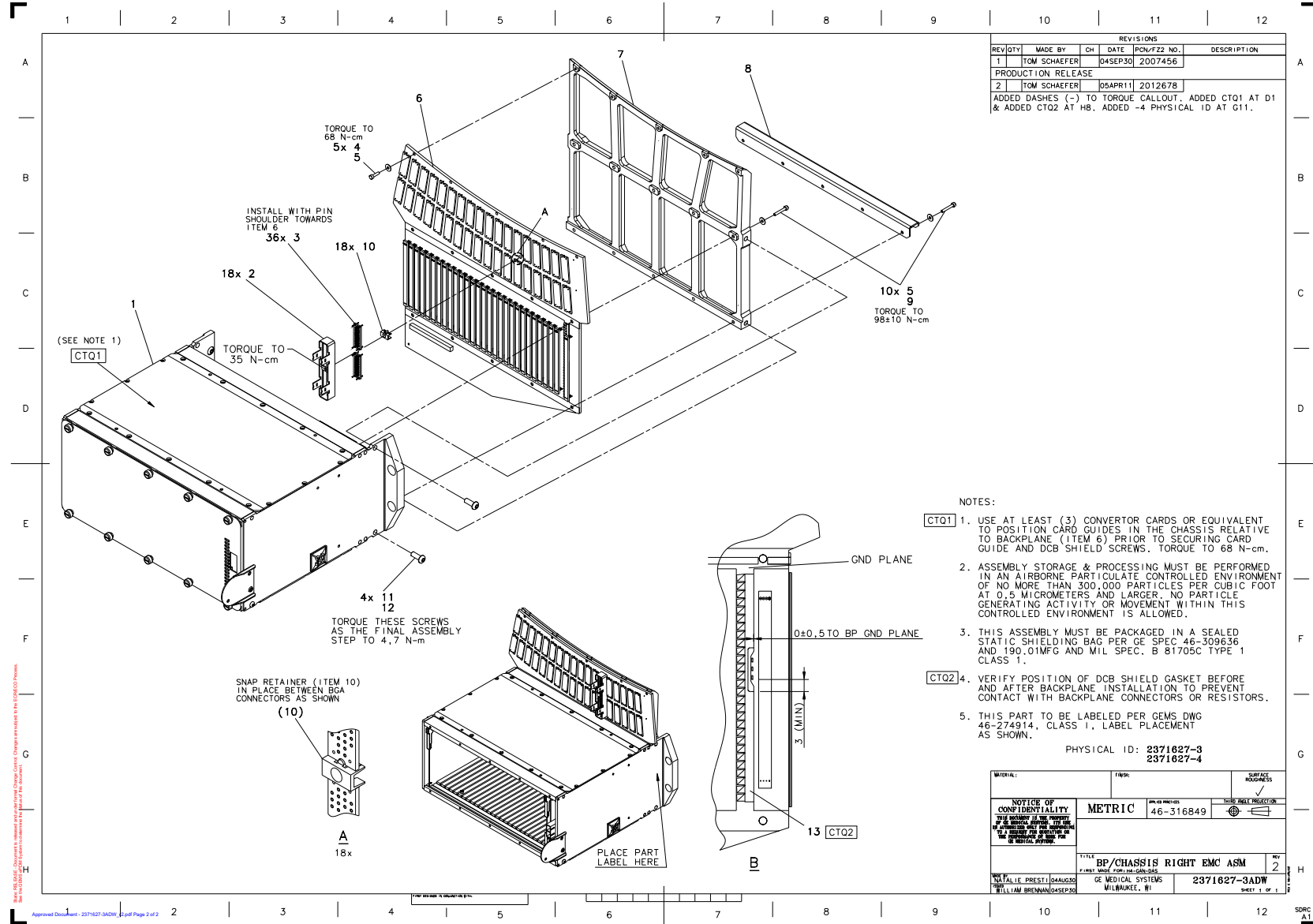
Figure 4-102 Chassis Center EMC Asm - GDAS (2371630-2ADW, sheet 1, rev 2)

MARK	NUMBER	QTY	FRU	DESCRIPTION/NAME
7	2372246	1.0	Yes	COVER, CENTER DAS CHASSIS (H4)
11	46-170686P3	0.0	Yes	LOCTITE 242, 50CC 12 MONTH SHELF LIFE FROM DATE OF SHIPMENT FROM THE MANUFACTURER.
12	2103580-38	32.0	Yes	SCREW COUNTERSUNK HEA 3 MM 6 MM
15	46-220191P6	2.0	Yes	FLAT CABLE MOUNT, POLYPROPYLENE PANDUIT FCM3-S6-14
1	5121985	1.0	No	Side Plate, Center right DAS Chassis
2	5121985-2	1.0	No	Side Plate, Center left DAS Chassis
3	5121994-3	2.0	No	Front Rail, DAS Chassis
5	2331428	2.0	No	CARD GUIDE-CENTER 16 SLICE
6	5121979-3	2.0	No	EMC Shield, DAS Chassis, Center
8	2372495-2	2.0	No	LABEL, DAS CHASSIS CENTER (H4)
9	5121995-3	2.0	No	Rear Rail, DAS Chassis
13	5122685	2.0	No	Bracket - Ribbon Cable EMC ED2
14	46-328417P73	8.0	No	SCREW HEXAGON SOCKET 3 MM 6 MM

Table 4-76 Chassis Center EMC Asm - GDAS (2371630-2 BOM, rev 2)

GDAS-MDAS 16 Slice Right BP-Chassis Assembly Edition 1-2 (2371627-4)

FRU = YES



REVISIONS					
REV	QTY	MADE BY	CHK	DATE	PCN/F22 NO. DESCRIPTION
1		TOM SCHAEFER		04SEP30	2007456
PRODUCTION RELEASE					
2		TOM SCHAEFER		05APR11	2012678

ADDED DASHES (-) TO TORQUE CALLOUT. ADDED CTQ1 AT D1 & ADDED CTQ2 AT H8. ADDED -4 PHYSICAL ID AT G11.

NOTES:

- CTQ1** 1. USE AT LEAST (3) CONVERTOR CARDS OR EQUIVALENT TO POSITION CARD GUIDES IN THE CHASSIS RELATIVE TO BACKPLANE (ITEM 6) PRIOR TO SECURING CARD GUIDE AND DCB SHIELD SCREWS. TORQUE TO 68 N-cm.
- 2. ASSEMBLY STORAGE & PROCESSING MUST BE PERFORMED IN AN AIRBORNE PARTICULATE CONTROLLED ENVIRONMENT OF NO MORE THAN 300,000 PARTICLES PER CUBIC FOOT AT 0.5 MICROMETERS AND LARGER - NO PARTICLE GENERATING ACTIVITY OR MOVEMENT WITHIN THIS CONTROLLED ENVIRONMENT IS ALLOWED.
- 3. THIS ASSEMBLY MUST BE PACKAGED IN A SEALED STATIC SHIELDING BAG PER GE SPEC. 46-309636 AND 190.01MFG AND MIL SPEC. B 81705C TYPE 1 CLASS 1.
- CTQ2** 4. VERIFY POSITION OF DCB SHIELD GASKET BEFORE AND AFTER BACKPLANE INSTALLATION TO PREVENT CONTACT WITH BACKPLANE CONNECTORS OR RESISTORS.
- 5. THIS PART TO BE LABELED PER GEMS DWG 46-274914, CLASS 1, LABEL PLACEMENT AS SHOWN.

PHYSICAL ID: 2371627-3
2371627-4

MATERIAL	FINISH	SURFACE FINISHES
<p>NOTICE OF CONFIDENTIALITY THIS DRAWING IS THE PROPERTY OF GE HEALTHCARE. IT IS TO BE USED ONLY FOR THE PURPOSES OF THE CONTRACT FOR WHICH IT IS DRAWN. IT IS NOT TO BE REPRODUCED OR TRANSMITTED IN ANY FORM OR BY ANY MEANS, ELECTRONIC OR MECHANICAL, INCLUDING PHOTOCOPYING, RECORDING, OR BY ANY INFORMATION STORAGE AND RETRIEVAL SYSTEM, WITHOUT THE WRITTEN PERMISSION OF GE HEALTHCARE.</p>		
METRIC		46-316849
TITLE		BP/CHASSIS RIGHT EMC ASM
DATE		04AUG30
DRAWN BY		WILLIAM BRENNAN
CHECKED BY		WILLIAM BRENNAN
GE HEALTHCARE		GE MEDICAL SYSTEMS MILWAUKEE, WI
PART NO.		2371627-3ADW
REV		2
SHEET 1 OF 1		

Figure 4-103 GDAS-MDAS 16 Slice Right BP-Chassis Assembly Edition 1-2 (2371627-3ADW, sheet 1, rev 2)

MARK	NUMBER	QTY	FRU	DESCRIPTION/NAME
2	2327387	18.0	Yes	DDIF DUST SHIELD
3	2318808-2	36.0	Yes	CONNECTOR 150-PIN INTERPOSER 0.050 FLEX TO PCB, WITH GUIDE PINS
5	46-328430P9	15.0	Yes	WASHER PLAIN - NORMAL 3.2 MM 7 MM
10	2335070	18.0	Yes	RETAINER CLIP
11	46-328420P6	4.0	Yes	SCREW BUTTON HEAD 6 MM 12 MM BLACK OXIDE, STEEL
12	46-170686P3	0.0	Yes	LOCTITE 242, 50CC 12 MONTH SHELF LIFE FROM DATE OF SHIPMENT FROM THE MANUFACTURER.
1	2371631-2	1.0	No	Chassis Right EMC Asm - GDAS {For further detail, see Section , beginning on page 358.}
4	2270471-5	5.0	No	M3X10MM HEX CAP SCREW W/NYLON PATCH
6	5113704-2	1.0	No	GDAS-MDAS 16 SLICE EDITION1-2 RIGHT BP
7	2370885-2	1.0	No	STIFFENER, RIGHT DAS-MACHINING (H4)
8	2331838-3	1.0	No	SUPPORT, EMI GASKET - RIGHT_DAS
9	2270471-6	10.0	No	M3X30MM HEX CAP SCREW W/NYLON PATCH
13	5115919	1.0	No	EMI gasket, GDAS, right backplane

Table 4-77 GDAS-MDAS 16 Slice Right BP-Chassis Assembly Edition 1-2 (2371627-4 BOM, rev 1)

Chassis Right EMC Asm - GDAS (2371631-2)

FRU = NO

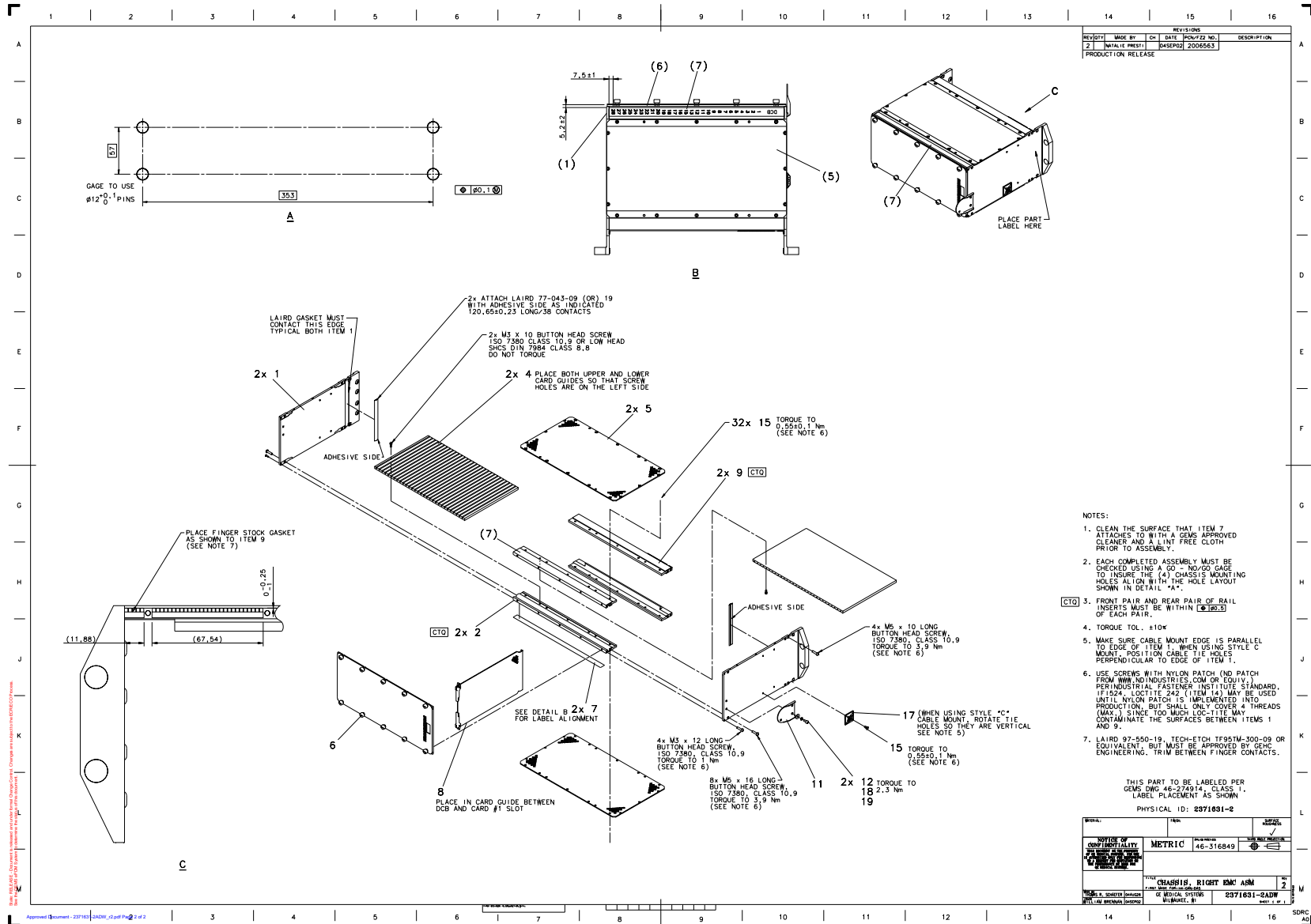


Figure 4-104 Chassis Right EMC Asm - GDAS (2371631-2ADW, sheet 1, rev 2)

MARK	NUMBER	QTY	FRU	DESCRIPTION/NAME
6	2372244	1.0	Yes	COVER, RIGHT DAS CHASSIS (H4)
11	2285600	1.0	Yes	BRACKET, DCB FIBER OPTIC
12	46-328417P3	2.0	Yes	SCREW HEXAGON SOCKET 4 MM 10 MM ZINC PLATED, STEEL
14	46-170686P3	0.0	Yes	LOCTITE 242, 50CC 12 MONTH SHELF LIFE FROM DATE OF SHIPMENT FROM THE MANUFACTURER.
15	2103580-38	33.0	Yes	SCREW COUNTERSUNK HEA 3 MM 6 MM
17	46-208747P2	1.0	Yes	ADHESIVE MOUNT - CABLE TIE
18	46-328432P2	2.0	Yes	WASHER LOCK - SPRING 4.1 MM 7.6 MM ZINC PLATED, SPRING STEEL
19	46-328430P2	2.0	Yes	WASHER PLAIN - NORMAL 4.3 MM 9 MM ZINC PLATED, STEEL
1	5121984	2.0	No	Side Plate, Rt-Lt DAS Chassis
2	5121994	2.0	No	Front Rail - Right DAS Chassis
4	2331428-3	2.0	No	CARD GUIDE-RIGHT 16 SLICE
5	5121979	2.0	No	EMC Shield, DAS Chassis, Right
7	2372495	2.0	No	LABEL, DAS CHASSIS RIGHT (H4)
8	5115925	1.0	No	DCB shield asm, GDAS - 16
9	5121995	2.0	No	Rear Rail, DAS Chassis

Table 4-78 Chassis Right EMC Asm - GDAS (2371631-2 BOM, rev 2)

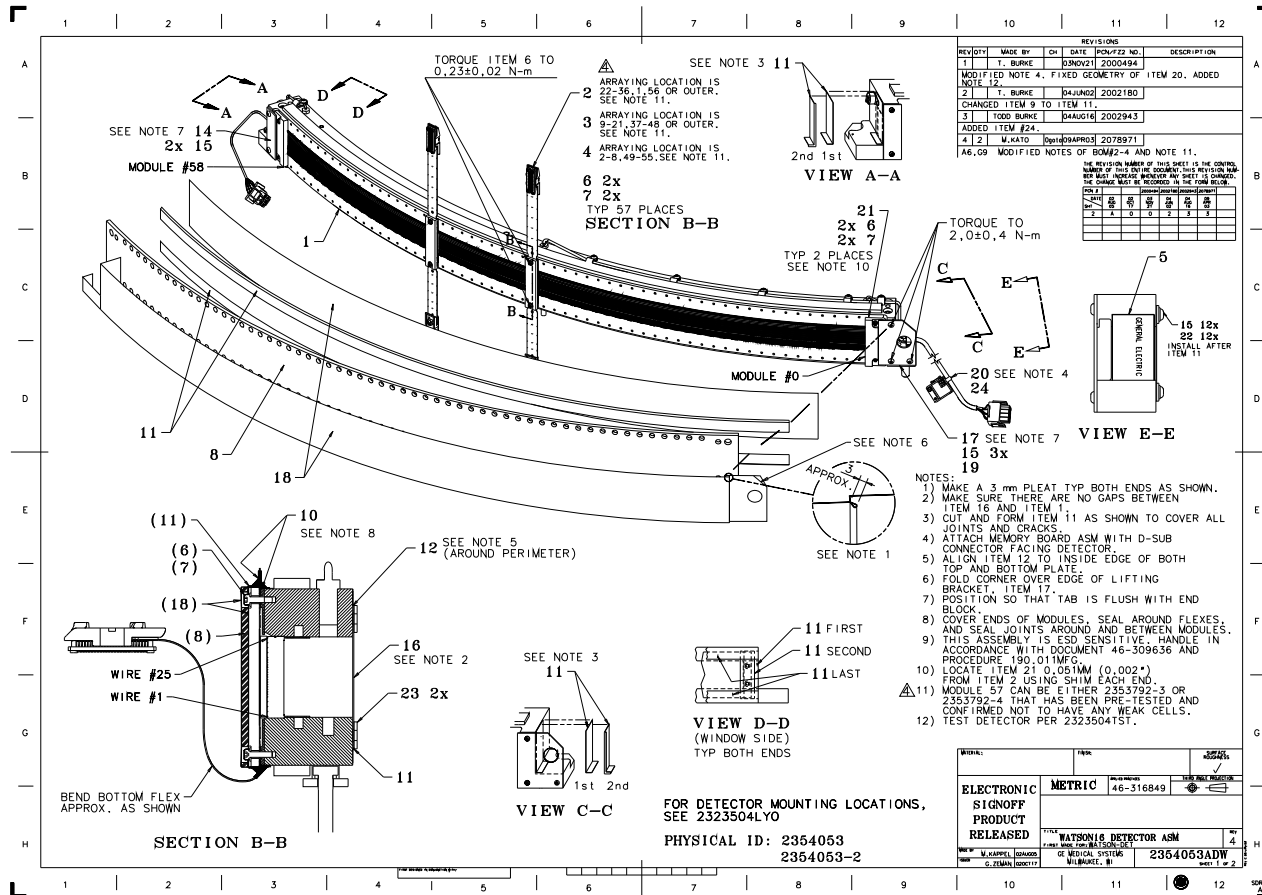
MARK	NUMBER	QTY	FRU	DESCRIPTION/NAME
7	2103580-3	5.0	Yes	SCREW COUNTERSUNK HEA 4 MM 12 MM CAP SCREWS BLACK OXIDE, STEEL
8	46-170686P3	0.0	Yes	LOCTITE 242, 50CC 12 MONTH SHELF LIFE FROM DATE OF SHIPMENT FROM THE MANUFACTURER.
13	46-170684P2	0.0	Yes	LOCTITE 271, 10CC BOTTLE 12 MONTH SHELF LIFE FROM DATE OF SHIPMENT FROM THE MANUFACTURER. (REV, TK, 1/92).
15	46-170685P1	0.0	Yes	LOCTITE 609 RETAINING COMPOUND. 50ML GREEN LIQUID, 50 ML BOTTLE. DWG REV JUL 92, JFK - OK.
1	2392110	1.0	No	DETECTOR PLATE, STEEL (GDAS)
2	2399207	1.0	No	SPACER, DET PLT TO 180 BRKT, GDAS
3	2356720-2	1.0	No	SPACER, DET PLT TO RB, GDAS, 6.0MM
4	2297449	1.0	No	M25 DETECTOR PLATE BUSHING
5	2332907	2.0	No	M30 DETECTOR BUSHING
9	2292795	1.0	No	COMMON SHORT ADJUSTING BARREL
10	2218901	1.0	No	ANCHOR SCREW
11	2332902	2.0	No	M30 DETECTOR ADJ BARREL
12	2332904	2.0	No	M30 ANCHOR SCREW

Table 4-79 Detector Plate Sub-Assembly, Steel (GDAS) (2392114 BOM, rev 4)

Watson16 Detector Assembly W/Diode Upgrade (2354053)

FRU = YES

State: RELEASE - Document is released and under formal Change Control. Changes are subject to the ECR/ECO Process. See the GEHC Myworkshop System to determine the status of this document.



Approved Document - 2354053ADW_r4.pdf Page 2 of 3

Figure 4-106 Watson16 Detector Assembly W/Diode Upgrade (2354053ADW, sheet 1, rev 4)

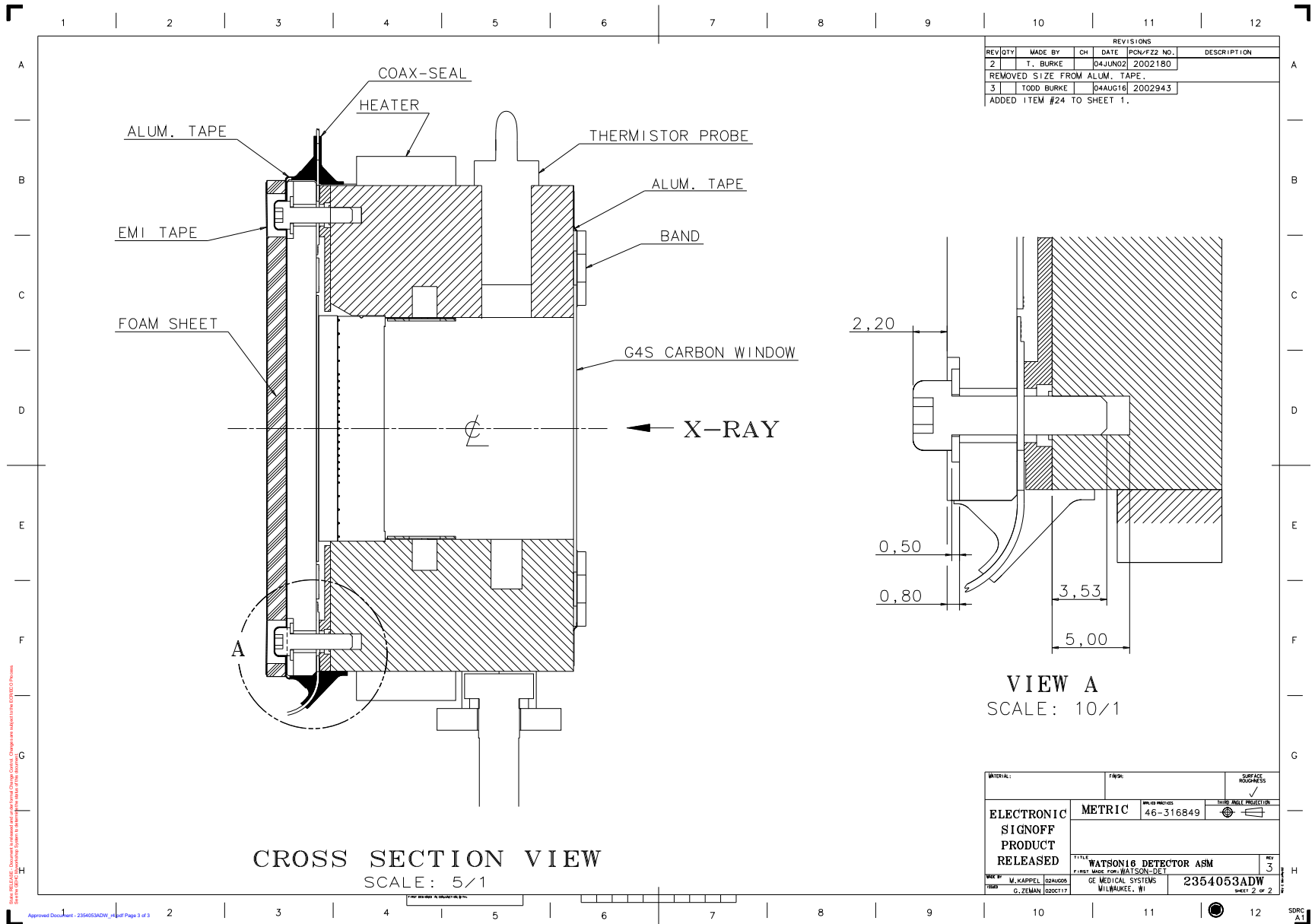


Figure 4-107 Watson16 Detector Assembly W/Diode Upgrade (2354053ADW, sheet 2, rev 4)

MARK	NUMBER	QTY	FRU	DESCRIPTION/NAME
	2227349-3	1.0	Yes	DETECTOR SHIPPING CONTAINER-WATSON
	2343148	1.0	Yes	ESD BOOT
	2350589	1.0	Yes	SRV. THERMISTOR, 8 SL. & GREATER
5	46-303268P1	1.0	Yes	PRODUCT LOCATOR CARD FORM FOR RATING PLATES, PRINTED BY DUPLITECH
7	46-328430P1	118.0	Yes	WASHER PLAIN - NORMAL 2.7 MM 6 MM ZINC PLATED, STEEL
15	46-328420P1	17.0	Yes	SCREW BUTTON HEAD 4 MM 8 MM BLACK OXIDE, STEEL
19	46-170684P2	0.0	Yes	LOCTITE 271, 10CC BOTTLE 12 MONTH SHELF LIFE FROM DATE OF SHIPMENT FROM THE MANUFACTURER. (REV, TK, 1/92).
22	46-328430P2	12.0	Yes	WASHER PLAIN - NORMAL 4.3 MM 9 MM ZINC PLATED, STEEL
24	46-208718P5	1.0	Yes	1/2~ ID LOOP TYPE, TA MFG CO TA713D8
25	2112666	1.0	Yes	P9810AQ SHIPMENT LABEL
1	2329398	1.0	No	WATSON COLLIMATOR ASM
2	2353792-3	17.0	No	WATSON16 MODULE ASM_-3
3	2353792-4	25.0	No	WATSON16 MODULE ASM_-4
4	2353792-2	15.0	No	WATSON16 MODULE ASM_-2
6	46-328417P57	118.0	No	SCREW HEXAGON SOCKET 2.5 MM 10 MM
8	2379090	1.0	No	FOAM SHEET WITH HOLES-ESD ADH
10	2196929-2	0.0	No	ADHESIVE COAX-SEAL HAND MOLDABLE PLASTIC SOLD IN CONTAINERS OF 4 ROLLS-1~ WIDE X 12~ LONG (48 FEET). GE MSDS NUMBER 8365884
11	2316214	15.5	No	P2034BN 19MM ALUMINUM TAPE
12	2198236	0.0	No	CONDUCTIVE ADHESIVE TRANSFER TAPE 12 MM WIDE TAPE ON 36 YARD (32.9M) ROLLS, GE MSDS NUMBER 8365889
14	2283251	1.0	No	G4S END BLOCK COVER
16	2273247	1.0	No	G4S CARBON WINDOW
17	2283253	1.0	No	G4S LIFTING BRACKET
18	2214897-3	2.2	No	TAPE, EMI HIGH FLEX WITH NICKEL/ COPPER URETHANE COATED FABRIC 30 X 30 DENIER CONTRUCTION 20M LONG BY 80MM WIDE 4-HF-3-0074-020-A APM ADVANCE PERFORMANCE MATERIALS

Table 4-80 Watson16 Detector Assembly W/Diode Upgrade (2354053 BOM, rev 11)

MARK	NUMBER	QTY	FRU	DESCRIPTION/NAME
20	2296076	1.0	No	DET. MEMORY BOARD ASM
21	2283252	2.0	No	G4S-DCS BLANK MODULE
23	2250963	2.0	No	P9234DF BAND

Table 4-80 Watson16 Detector Assembly W/Diode Upgrade (2354053 BOM, rev 11) (Continued)

DAS Duct Fan Assembly (H16) (2333651)

FRU = NO

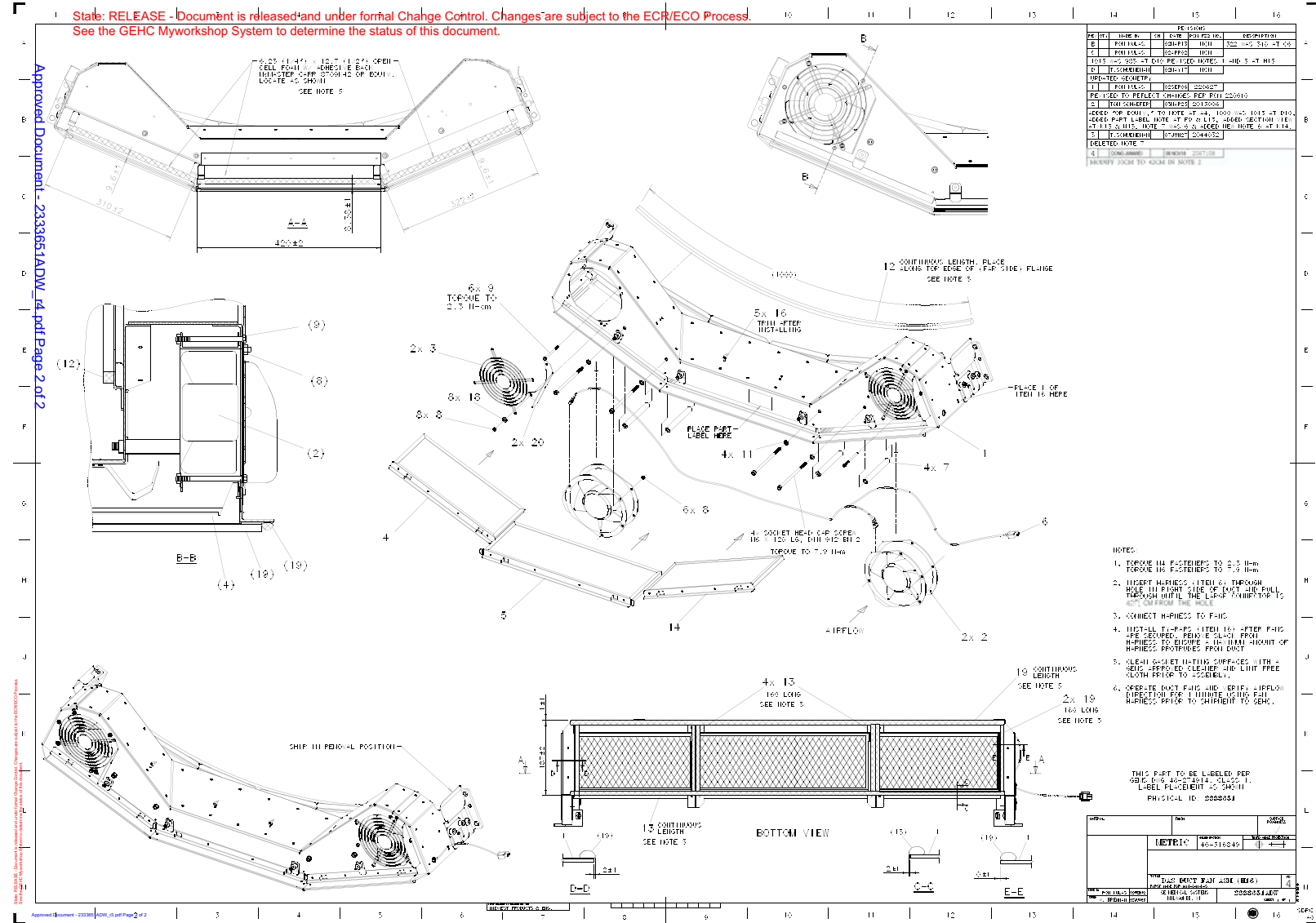


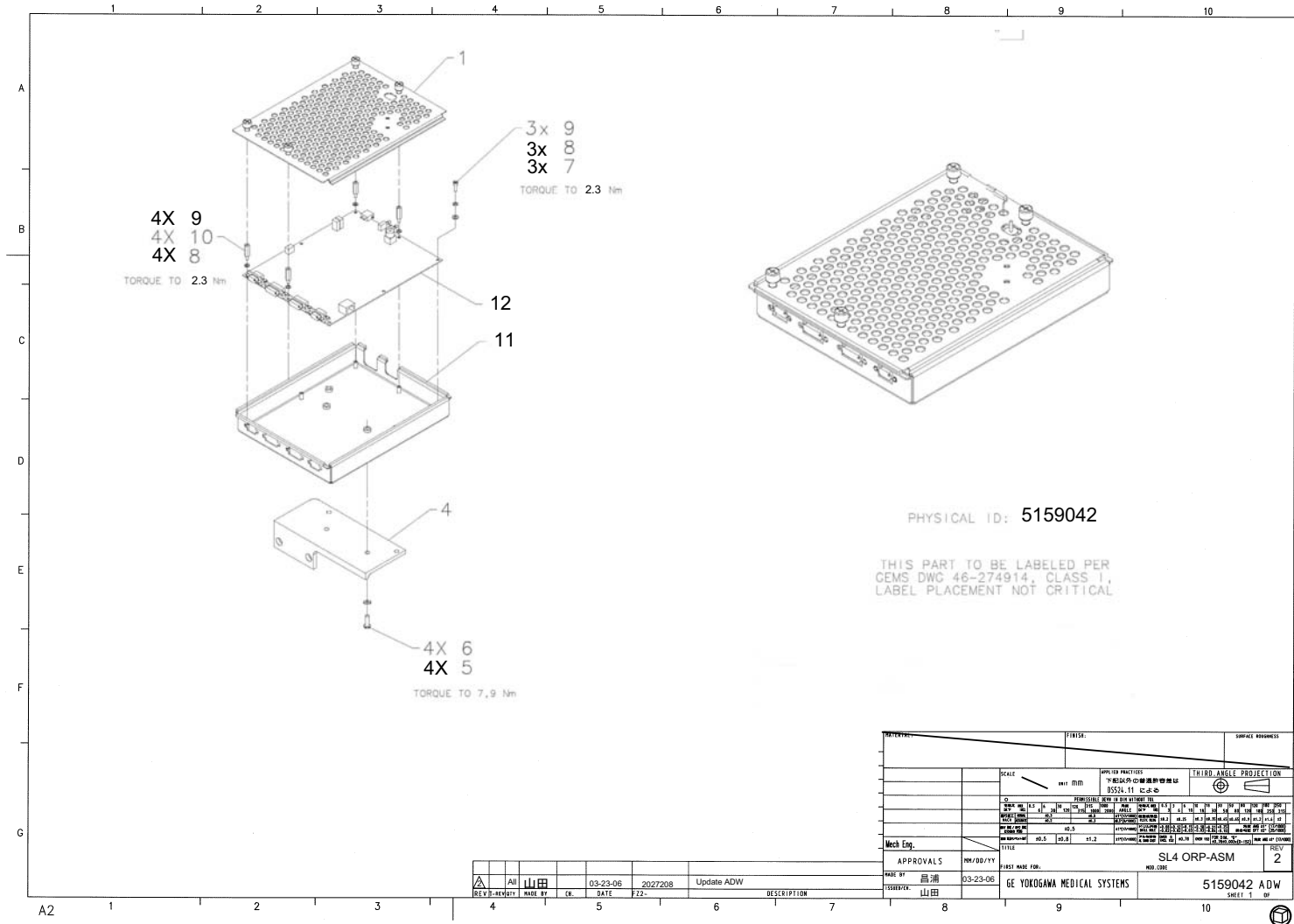
Figure 4-108 DAS Duct Fan Assembly (H16) (2333651ADW, sheet 1, rev 4)

MARK	NUMBER	QTY	FRU	DESCRIPTION/NAME
	5324279	2.0	Yes	U0522AM_FAN AXIAL,172x150x51 AC115
2	2287974	2.0	Yes	FAN TUBEAXIAL 141 LITERS/SEC 171.5 M
3	2287976	2.0	Yes	FAN FINGER GUARD ROUND
4	2346947	1.0	Yes	FILTER/FRAME, LEFT, MDAS H16
5	2346948	1.0	Yes	FILTER/FRAME, CENTER, MDAS H16
8	46-312346P2	14.0	Yes	NUT, M4 X 0.7 HEX WITH LOCK WASHER ZINC PLATED
11	46-328432P3	4.0	Yes	WASHER LOCK - SPRING 6.1 MM 11.8 MM ZINC PLATED, SPRING STEEL
12	2219517	0.0	Yes	EMI GASKET CHOMERICS 1000, .75 X .75
13	2216471-2	1.0	Yes	EMI/RFI GASKET TAPE, WIRE, 2.0M LONG
14	2346949	1.0	Yes	FILTER/FRAME, RIGHT, MDAS H16
16	46-208758P10	5.0	Yes	8.00~ X .094~ SELF-LOCKING CABLE TIE 1/16~ TO 2~ WIRE BUNDLE RANGE. 18LB TENSILE STRENGTH, NYLON MATR~L. SAME AS 46-208758P7 EXCEPT RESTRICT VENDOR TO T&B. TIE MUST BE .094~ WID E. (DWG REV 5/92, JFK - OK).
18	46-328430P2	8.0	Yes	WASHER PLAIN - NORMAL 4.3 MM 9 MM ZINC PLATED, STEEL
19	2299122-2	1.0	Yes	EMI/RFI GASKET TAPE, WIRE, 1.5M LONG
20	2346950	2.0	Yes	AIR SCOOP, DAS DUCT H16
1	2333650	1.0	No	DAS DUCT, H16
6	2282806	1.0	No	DAS DUCT FAN HARNESS - H3
7	2284361	4.0	No	SPACER TUBE, DAS DUCT - H3
9	46-312577P160	6.0	No	SCREW, M4 X 60MM SOCKET HEAD CAP SCREW, STEEL, BLACK (PARTIAL THREAD) PROPERTY CLASS 8.8

Table 4-81 DAS Duct Fan Assembly (H16) (2333651 BOM, rev 8)

3.1.14.13 SL4 ORP-Assembly (5159042)

FRU = NO



Note: RELEASE - Document is released and under formal Change Control. Changes are subject to the ECR/ECO Process.
 See the GEMS ePRODS System to determine the status of this document.

Approved Document - 5159042ADW_r2.pdf Page 2 of 2

Figure 4-109 SL4 ORP-Assembly (5159042ADW, sheet 1, rev 2)

MARK	NUMBER	QTY	FRU	DESCRIPTION/NAME
5	46-328417P13	4.0	Yes	SCREW HEXAGON SOCKET 6 MM 16 MM ZINC PLATED, STEEL
6	46-328432P3	4.0	Yes	WASHER LOCK - SPRING 6.1 MM 11.8 MM ZINC PLATED, SPRING STEEL
7	46-328417P3	3.0	Yes	SCREW HEXAGON SOCKET 4 MM 10 MM ZINC PLATED, STEEL
8	46-328432P2	7.0	Yes	WASHER LOCK - SPRING 4.1 MM 7.6 MM ZINC PLATED, SPRING STEEL
9	46-328430P2	7.0	Yes	WASHER PLAIN - NORMAL 4.3 MM 9 MM ZINC PLATED, STEEL
10	2379140	4.0	Yes	STANDOFF,M4 X 20 MM,MALE-FEMALE THDS
12	2389885-3	1.0	Yes	ORP2 BOARD ASSY Positioning HP60
1	5159043	1.0	No	SL4 ORP COVER
4	2350781	1.0	No	BRACKET, ORP MOUNTING
11	5159044	1.0	No	SL4 ORP ENCLOSURE

Table 4-82 SL4 ORP-Assembly (5159042 BOM, rev 3)

3.1.14.14 850 MB H-Power Slipring Assembly (2349589)

FRU = YES

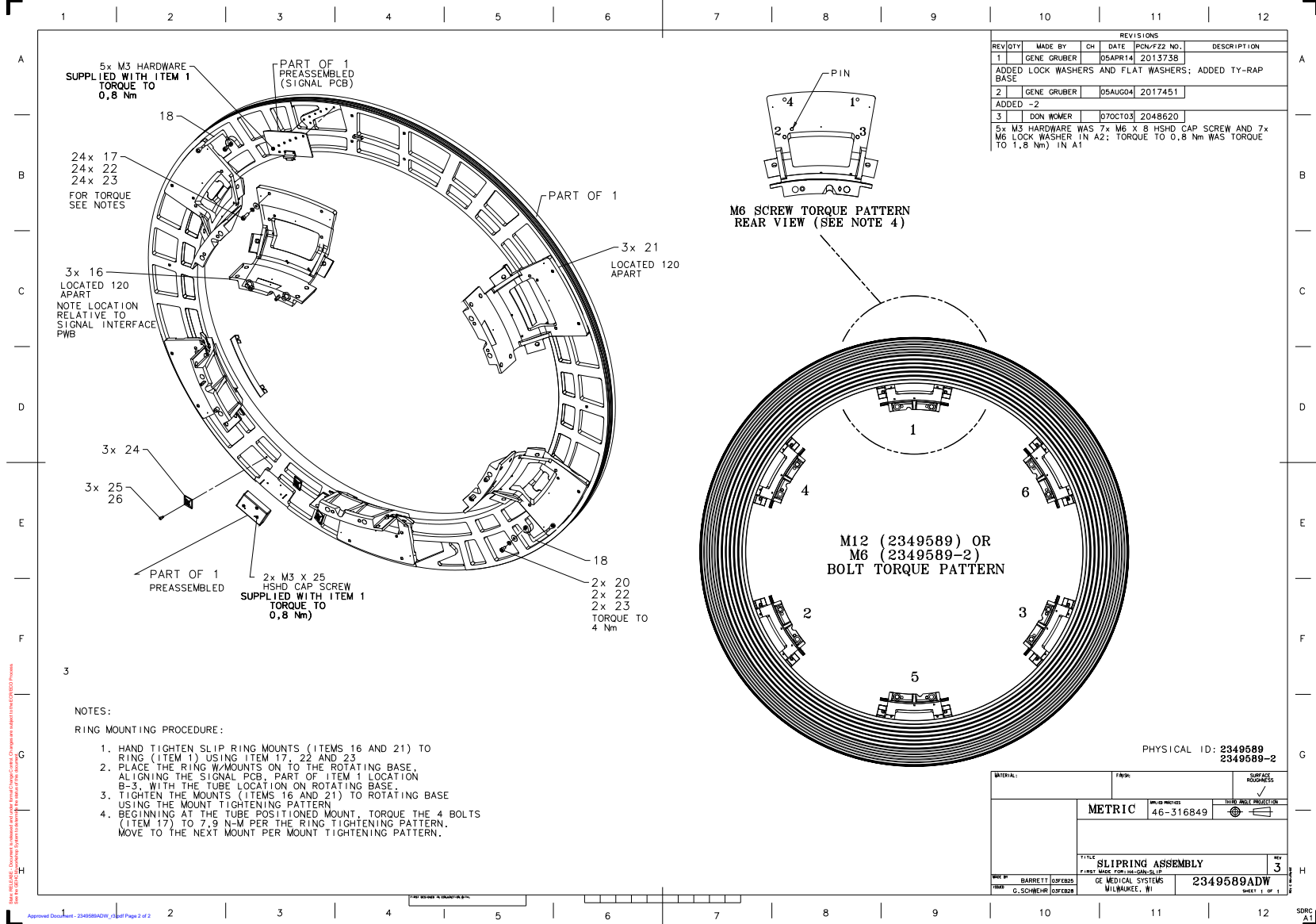


Figure 4-110 850 MB H-Power Slipring Assembly (2349589ADW, sheet 1, rev 3)

MARK	NUMBER	QTY	FRU	DESCRIPTION/NAME
17	46-328417P15	24.0	Yes	SCREW HEXAGON SOCKET 6 MM 25 MM ZINC PLATED, STEEL
18	2275840-6	2.0	Yes	GROUND - BRAID - SLIP RING J6 TO ROTATING BASE
20	46-328417P12	2.0	Yes	SCREW HEXAGON SOCKET 6 MM 12 MM ZINC PLATED, STEEL
22	2236649-2	26.0	Yes	WASHER, FLAT, ISO7089, M6, ST-HB200
23	46-328432P3	26.0	Yes	WASHER LOCK - SPRING 6.1 MM 11.8 MM ZINC PLATED, SPRING STEEL
24	46-208747P2	3.0	Yes	ADHESIVE MOUNT - CABLE TIE
25	2103580-40	3.0	Yes	SCREW COUNTERSUNK HEX 3 MM 10 MM
26	46-170686P3	0.0	Yes	LOCTITE 242, 50CC 12 MONTH SHELF LIFE FROM DATE OF SHIPMENT FROM THE MANUFACTURER.
1	2320265	1.0	No	850 MB PLATTER HSDCD SLIPRING SYSTEM {For further detail, see Section , beginning on page 372.}
16	2166361-2	3.0	No	HELIOS SLIPRING MOUNT CASTING
21	2166361-3	3.0	No	HELIOS SLIPRING MOUNT CASTING W/O PI

Table 4-83 850 MB H-Power Slipring Assembly (2349589 BOM, rev 4)

850 MB Platter HSDCD Slipping System (2320265)

FRU = NO

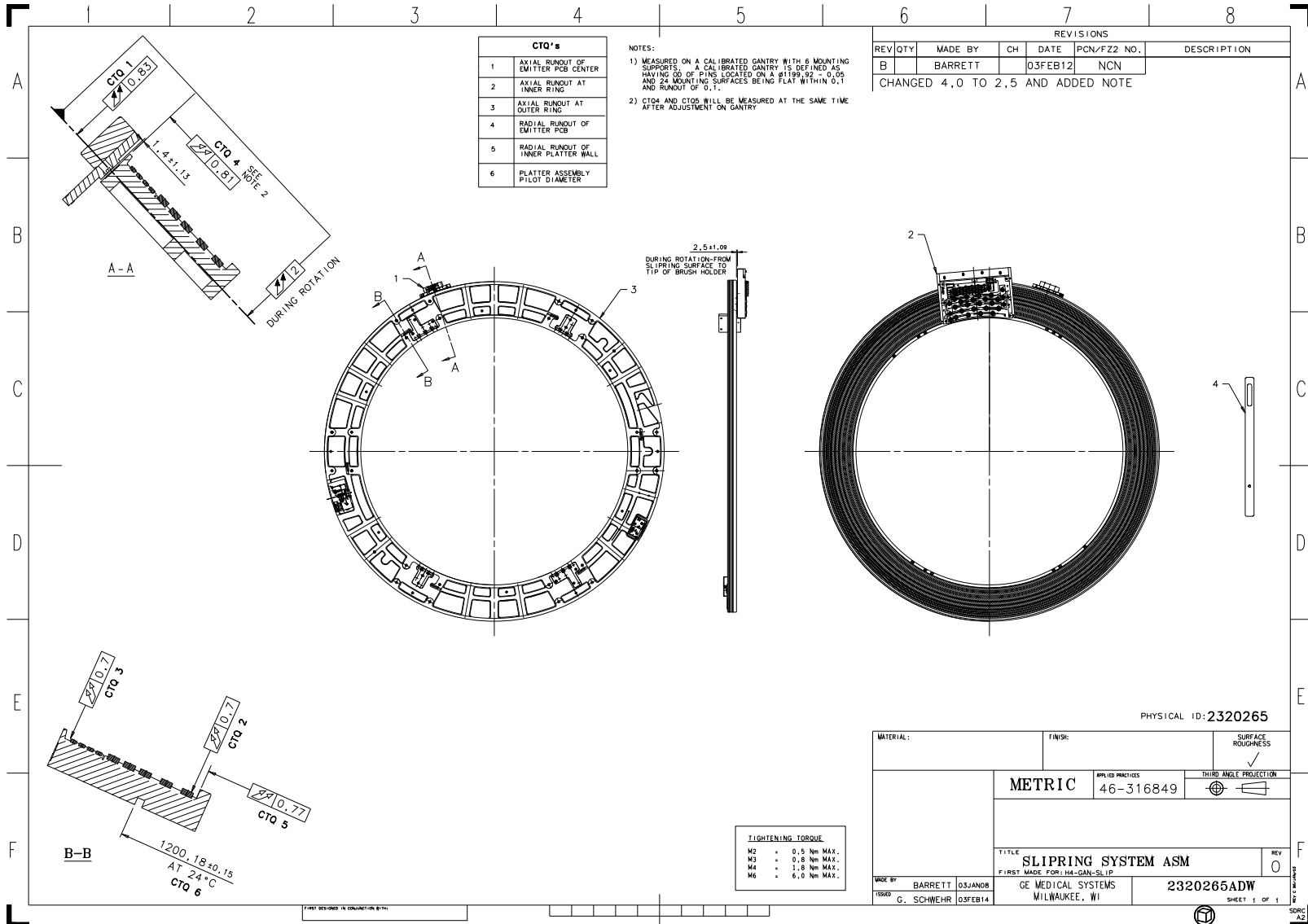


Figure 4-111 850 MB Platter HSDCD Slipping System (2320265ADW, sheet 1, rev 0)

MARK	NUMBER	QTY	FRU	DESCRIPTION/NAME
2	5120819-2	1.0	Yes	RoHS Compliant Slipring Brushblock Assembly {For further detail, see Section , beginning on page 376.}
3	2349587	1.0	Yes	SLIPRING ASSEMBLY FOR H-POWER {For further detail, see Section , beginning on page 378.}
4	2284989	1.0	Yes	TOOL, HSDCD ALIGMENT - EMC COMPLIANT
1	2333609	1.0	No	850MB RECEIVER-ANTENNA ASSEMBLY {For further detail, see Section , beginning on page 374.}

Table 4-84 850 MB Platter HSDCD Slipring System (2320265 BOM, rev 3)

850MB Receiver-Antenna Assembly (2333609)

FRU = NO

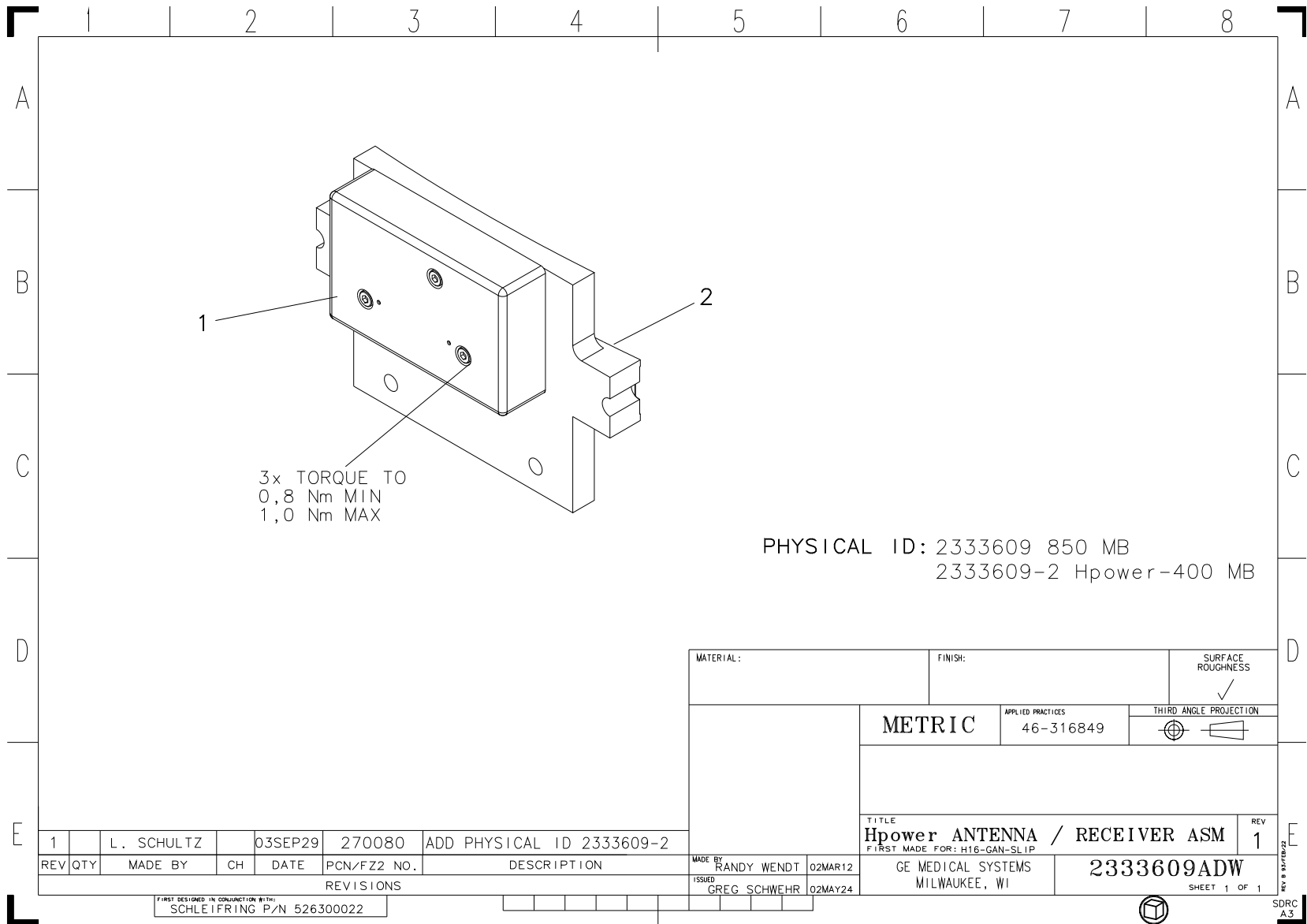


Figure 4-112 850MB Receiver-Antenna Assembly (2333609ADW, sheet 1, rev 1)

MARK	NUMBER	QTY	FRU	DESCRIPTION/NAME
1	2333611	1.0	Yes	850 MB RECEIVER
2	2333613	1.0	Yes	850 MB RECEIVER ANTENNA

Table 4-85 850MB Receiver-Antenna Assembly (2333609 BOM, rev 0)

RoHS Compliant Slipping Brushblock Assembly (5120819-2)

FRU = YES

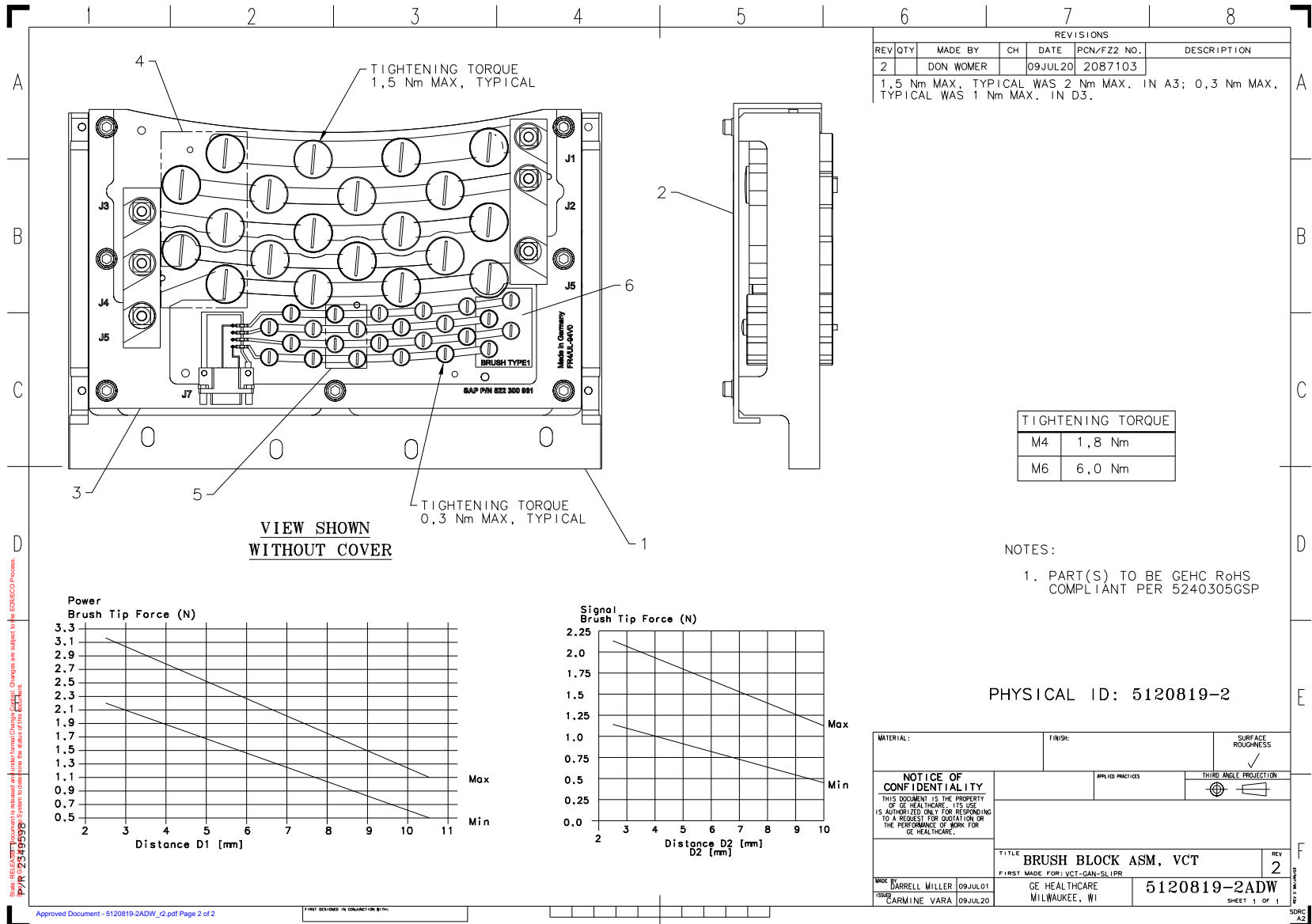


Figure 4-113 RoHS Compliant Slipping Brushblock Assembly (5120819-2ADW, sheet 1, rev 2)

MARK	NUMBER	QTY	FRU	DESCRIPTION/NAME
2	2349602	1.0	Yes	BRUSH BLOCK COVER FOR H-POWER
4	5271812	4.0	Yes	Power Brush Tip Kit
5	5270886	5.0	Yes	Small Signal Brush Tip Kit
6	5350798	1.0	Yes	Small Signal Type 1 Brush Tip Kit
1	2366020	1.0	No	MOUNT FOR BRUSH BLOCK CIRCUIT BOARD
3	5311654	1.0	No	RoHS Compliant Slipping Brushblock PWB

Table 4-86 RoHS Compliant Slipping Brushblock Assembly (5120819-2 BOM, rev 3)

Slipring Assembly for H-Power (2349587)

FRU = YES

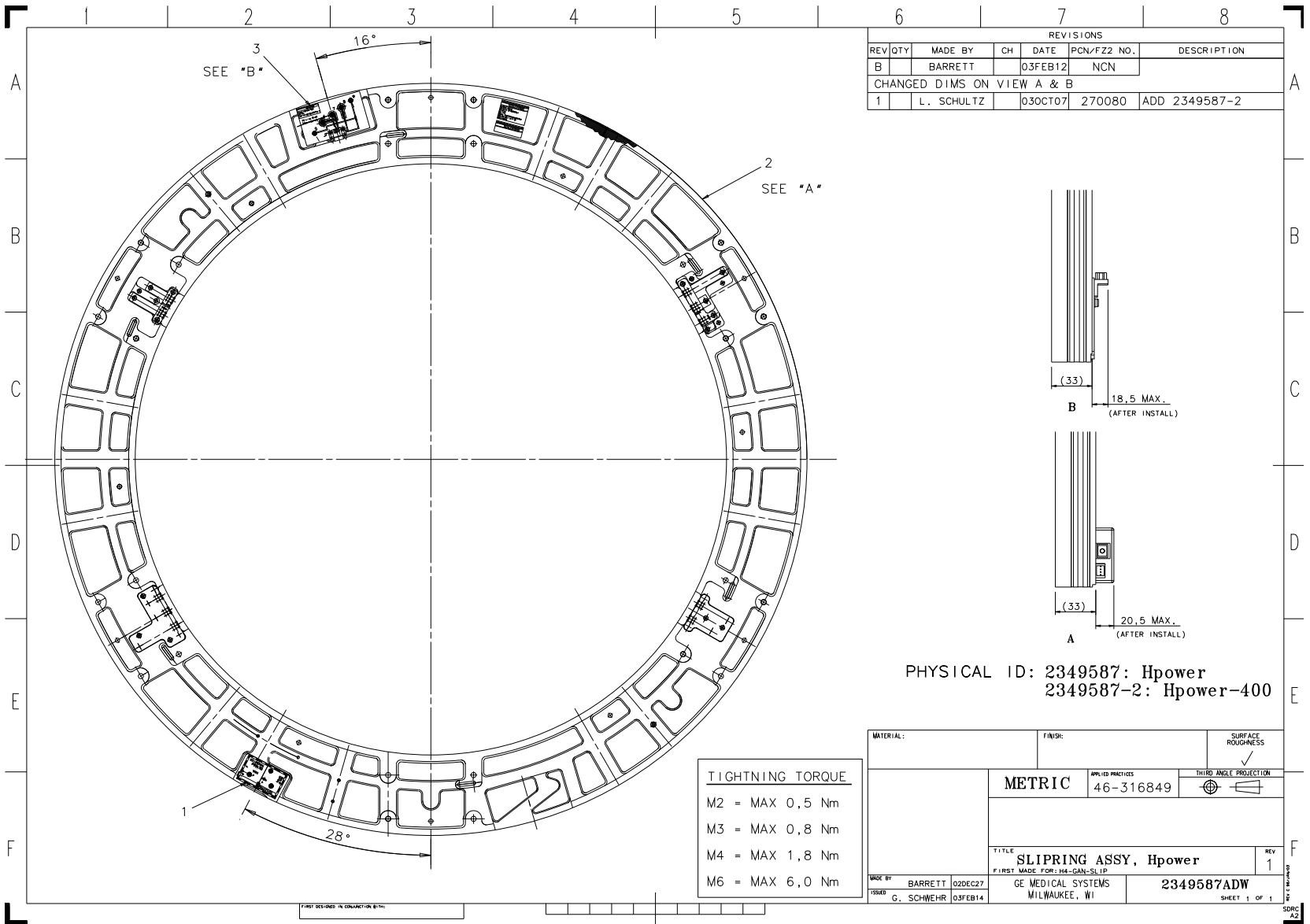


Figure 4-114 Slipring Assembly for H-Power (2349587ADW, sheet 1, rev 1)

MARK	NUMBER	QTY	FRU	DESCRIPTION/NAME
1	2333615	1.0	Yes	850 MB TRANSMITTER
3	2349591	1.0	Yes	SIGNAL I/F BOARD FOR H-POWER
2	2349588	1.0	No	850 MB PLATTER FOR H-POWER

Table 4-87 Slipping Assembly for H-Power (2349587 BOM, rev 0)

MARK	NUMBER	QTY	FRU	DESCRIPTION/NAME
2	2293408-2	1.0	Yes	CABLE FIBER OPTIC, 2010MM +/-20
1	2333309-4	1.0	No	rcib1, opr to das, with ferrite
3	2333314-2	1.0	No	cable_signal_collimator to das can_hp60
4	2363839-2	1.0	No	Harness, GDAS, Digital to S R xmtr, ED.2 EMC
5	2385707	1.0	No	CABLE, DCB / DHCB RS-232 (GDAS)
7	5124431	1.0	No	Harness, GDAS Astec Pwr Supply 24V
8	5124433	1.0	No	Astec Power Supply AC Input Cable

Table 4-88 GDAS-16 Main Harness, With ASTEC PS's (2394982-5 BOM, rev 4)

3.2 Assembly, Scan Window (5142849-4)

FRU = YES

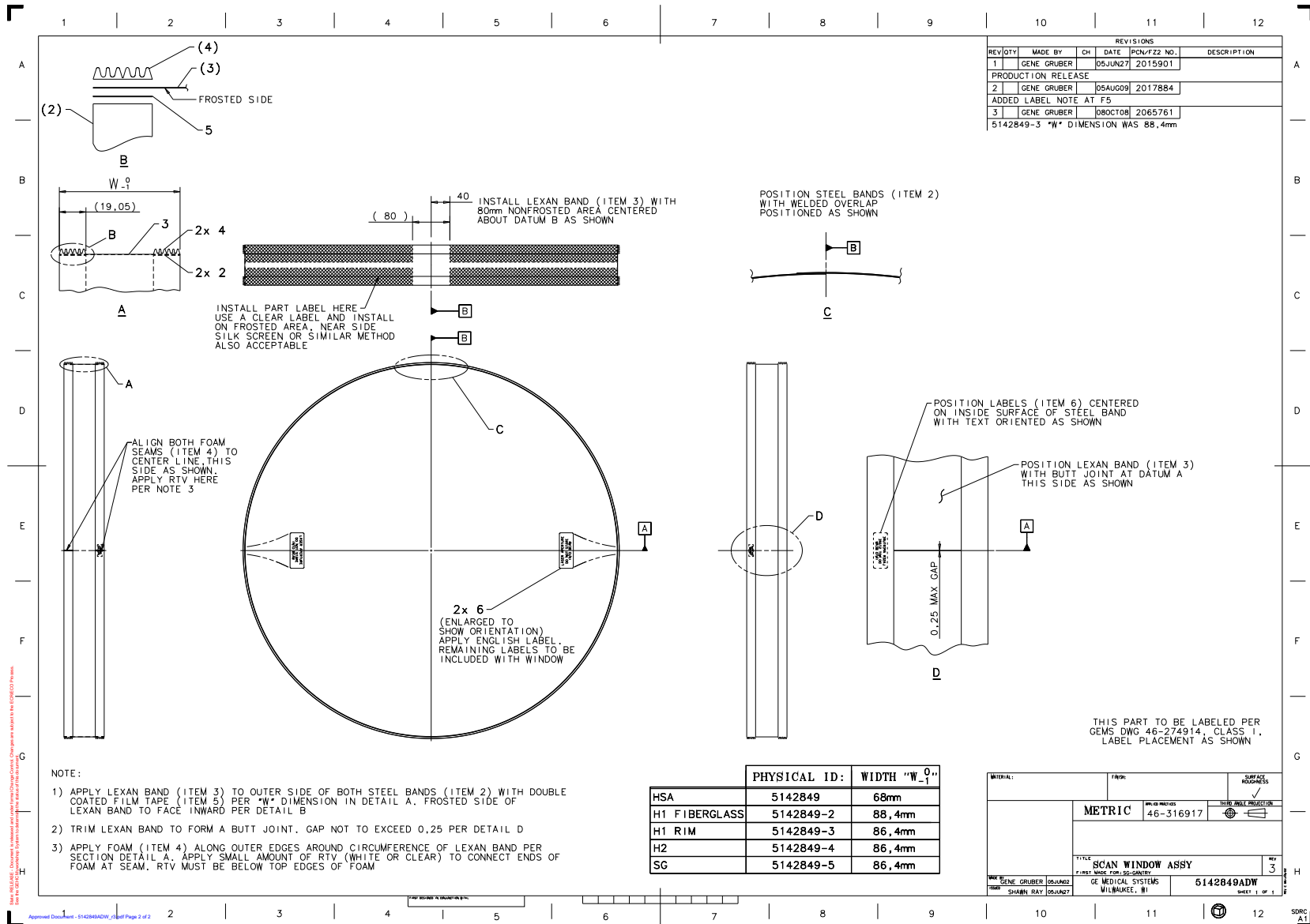


Figure 4-116 Assembly, Scan Window (5142849ADW, sheet 1, rev 3)

MARK	NUMBER	QTY	FRU	DESCRIPTION/NAME
5	46-170106P4	0.0	Yes	DBL COATED FILM .007 THK 0.75W (REV TK, 2/92).
6	2215795	2.0	Yes	P9230EV CAUTION LABEL3
2	2101993-3	2.0	No	STEEL BAND - H2 COVER SCAN WINDOW
3	2101763-4	1.0	No	LEXAN BAND - H2 COVER SCAN WINDOW
4	5140714	0.0	No	EPDM, Rubber K profile weatherstrip by Thermwell or MD Building Products

Table 4-89 Assembly, Scan Window (5142849-4 BOM, rev 3)

3.3 SL4-Lite-Cover-Front-Assembly (5181800)

FRU = YES

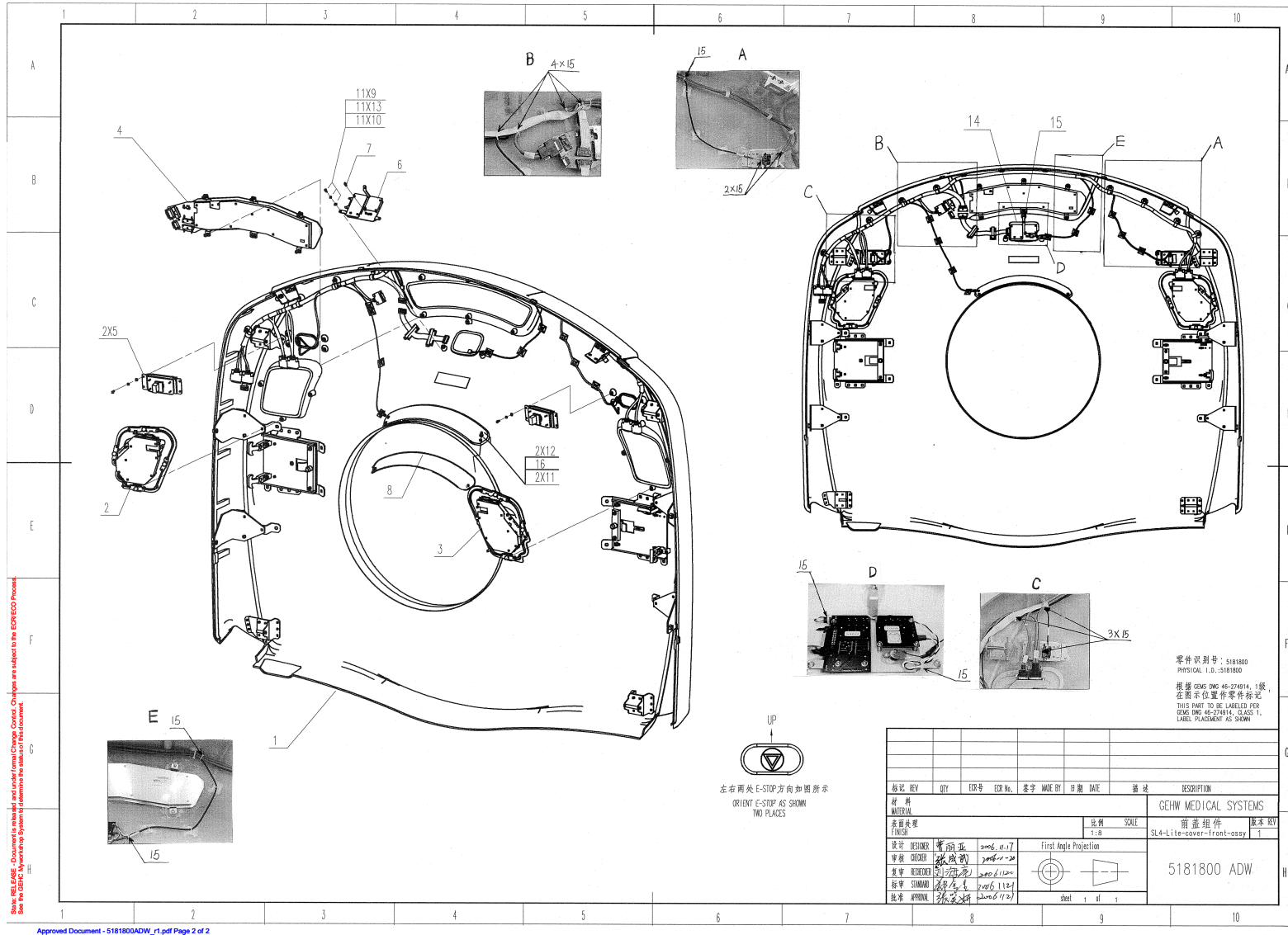


Figure 4-117 SL4-Lite-Cover-Front-Assembly (5181800ADW, sheet 1, rev 1)

MARK	NUMBER	QTY	FRU	DESCRIPTION/NAME
	46-208758P9	1.0	Yes	11.08~X .140~ SELF-LOCKING CABLE TIE 1/16~ TO 3~ WIRE BUNDLE RANGE. 40LB TENSILE STRENGTH, NYLON MATR~L. (DWG REV 5/92, JFK - OK).
1	5248944	1.0	Yes	SL4-Lite-cover-front-sub-assy {For further detail, see Section 3.3.1, beginning on page 386. }
2	5168106	1.0	Yes	SL4 reduced-force TGC Assembly, Right Side
3	5168046	1.0	Yes	SL4 reduced-force TGC Assembly, Left Side
4	5144726	1.0	Yes	SL4 display panel
5	2194456-4	2.0	Yes	E-Stop Asm - White N9 {For further detail, see Section 3.3.2, beginning on page 390. }
6	5181804	1.0	Yes	SL4-Lite-Navigator-Assy
7	2111955	1.0	Yes	P9213YX MIC ASSY {For further detail, see Section 3.3.3, beginning on page 392. }
8	5181801	1.0	Yes	SL4-Lite-patient-sensor,small {For further detail, see Section 3.3.4, beginning on page 394. }
9	46-328417P3	11.0	Yes	SCREW HEXAGON SOCKET 4 MM 10 MM ZINC PLATED, STEEL
10	46-328430P2	11.0	Yes	WASHER PLAIN - NORMAL 4.3 MM 9 MM ZINC PLATED, STEEL
11	2388859	2.0	Yes	U0757AA_WASHER
12	46-312346P2	2.0	Yes	NUT, M4 X 0.7 HEX WITH LOCK WASHER ZINC PLATED
13	46-328432P2	11.0	Yes	WASHER LOCK - SPRING 4.1 MM 7.6 MM ZINC PLATED, SPRING STEEL
14	2176596	1.0	Yes	P9233TY 22WIRE ASSY
15	46-208758P10	15.0	Yes	8.00~ X .094~ SELF-LOCKING CABLE TIE 1/16~ TO 2~ WIRE BUNDLE RANGE. 18LB TENSILE STRENGTH, NYLON MATR~L. SAME AS 46-208758P7 EXCEPT RESTRICT VENDOR TO T&B. TIE MUST BE .094~ WID E. (DWG REV 5/92, JFK - OK).
16	46-170686P3	0.0	Yes	LOCTITE 242, 50CC 12 MONTH SHELF LIFE FROM DATE OF SHIPMENT FROM THE MANUFACTURER.

Table 4-90 SL4-Lite-Cover-Front-Assembly (5181800 BOM, rev 1)

3.3.1 SL4-Lite-Cover-front-Sub-Assembly (5248944)

FRU = YES

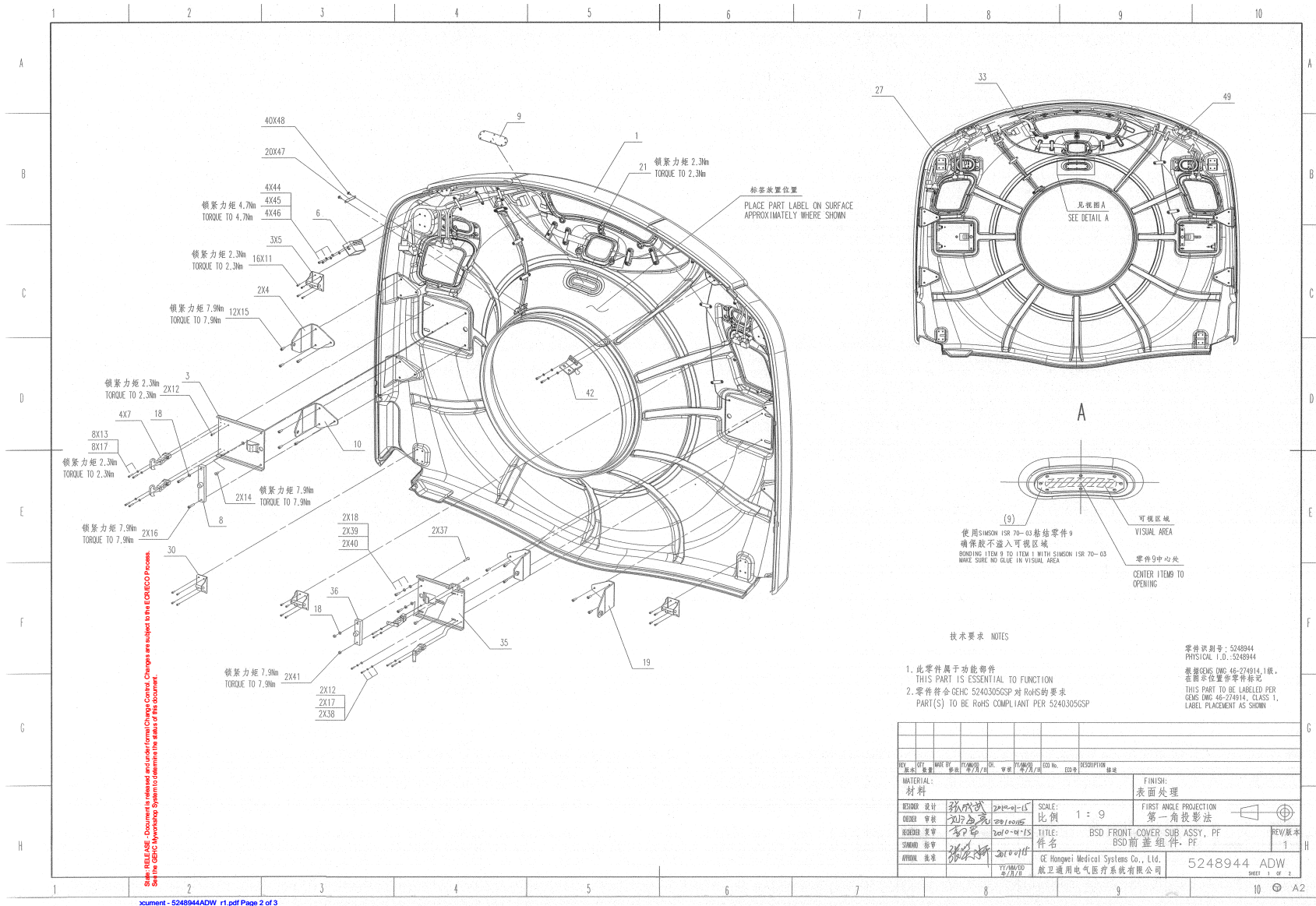


Figure 4-118 SL4-Lite-Cover-front-Sub-Assembly (5248944ADW, sheet 1, rev 1)

MARK	NUMBER	QTY	FRU CODE	DESCRIPTION/NAME
5	2258071	3.0	Yes	BRACKET, LATCH
6	5144748	1.0	Yes	SL4 FRONG REAR COVER TAB BRACKET
7	2277655-3	4.0	Yes	LATCH, HANDLE ASSEMBLY
9	5334392	1.0	Yes	laser sheet, PF front cover
11	46-328417P5	16.0	Yes	SCREW HEXAGON SOCKET 4 MM 10 MM ZINC PLATED, STEEL
12	46-328417P6	4.0	Yes	SCREW HEXAGON SOCKET 4 MM 12 MM ZINC PLATED, STEEL
13	46-328417P7	8.0	Yes	SCREW HEXAGON SOCKET 4 MM 25 MM ZINC PLATED, STEEL
14	2103580-13	2.0	Yes	SCREW COUNTERSUNK HEA 6 MM 12 MM CAP SCREWS BLACK OXIDE, STEEL
15	46-328417P13	12.0	Yes	SCREW HEXAGON SOCKET 6 MM 12 MM ZINC PLATED, STEEL
16	46-328417P17	2.0	Yes	SCREW HEXAGON SOCKET 6 MM 30 MM ZINC PLATED, STEEL
17	46-328430P2	10.0	Yes	WASHER PLAIN - NORMAL 4.3 MM 9 MM ZINC PLATED, STEEL
18	46-328430P3	4.0	Yes	WASHER PLAIN - NORMAL 6.4 MM 12 MM ZINC PLATED, STEEL
21	2277654	1.0	Yes	STUD, TINNERMAN BALL
22	2351331	1.0	Yes	P2050EK LASER CAUTION LABEL GBL
26	5159035	1.0	Yes	CAUTION LABEL LASER
27	2260353	1.0	Yes	CAN HARNESS FRONT COVER H2
28	46-208747P2	14.0	Yes	ADHESIVE MOUNT - CABLE TIE
29	46-208758P9	14.0	Yes	11.08~X .140~ SELF-LOCKING CABLE TIE 1/16~ TO 3~ WIRE BUNDLE RANGE. 40LB TENSILE STRENGTH, NYLON MATR~L. (DWG REV 5/92, JFK - OK).
31	46-208714P11	8.0	Yes	CABLE OD 0.75 RICHCO NO. N-12B
32	46-170683P1	0.0	Yes	LOCTITE 222, 10CC BOTTLE 12 MONTH SHELF LIFE FROM DATE OF SHIPMENT FROM THE MANUFACTURER
33	2271663	1.0	Yes	H2 COVER DISPLAY TO BREATHING LIGHTS
34	46-220191P3	2.0	Yes	PANDUIT FCM2-A-C14 GRAY, FLAT CABLE
37	2103580-16	2.0	Yes	SCREW COUNTERSUNK HEA 6 MM 30 MM CAP SCREWS BLACK OXIDE, STEEL
38	46-328432P2	2.0	Yes	WASHER LOCK - SPRING 4.1 MM 7.6 MM ZINC PLATED, SPRING STEEL

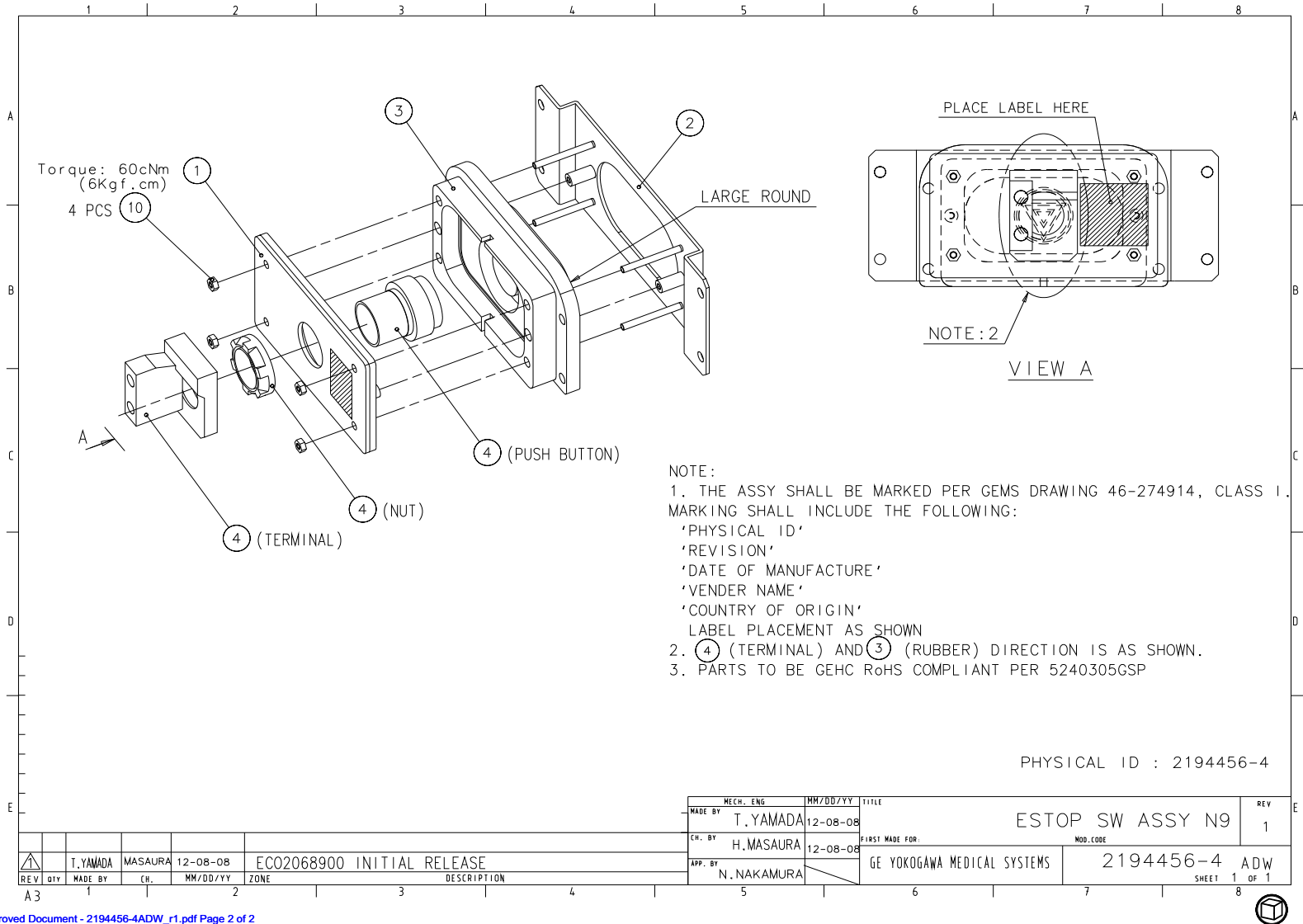
Table 4-91 SL4-LITE-COVER-FRONT-SUB-ASSY (5248944BOM, Rev 1)

MARK	NUMBER	QTY	FRU CODE	DESCRIPTION/NAME
39	46-328417P13	2.0	Yes	SCREW HEXAGON SOCKET 6 MM 16 MM ZINC PLATED, STEEL
40	46-328432P3	2.0	Yes	WASHER LOCK - SPRING 6.1 MM 11.8 MM ZINC PLATED, SPRING STEEL
41	46-328425P2	2.0	Yes	NUT HEXAGON 6 MM
42	5144748-2	1.0	Yes	SL4 FRONT_REAR COVER TAB BRACKET
43	2374202	2.0	Yes	LABEL CAUTION IEC 878
44	46-328417P505	4.0	Yes	SCREW HEXAGON SOCKET 5 MM 16 MM
45	N9501WS	4.0	Yes	WASHER PLAIN - LARGE 5.3 MM 10 MM WASHER M5
46	46-328432P8	4.0	Yes	WASHER LOCK - SPRING 5.1 MM 9.2 MM
47	5334393	20.0	Yes	Cable clip
48	5334394	40.0	Yes	Plastic plug
1	5248946	1.0	No	BSD FRONT COVER,PF
3	5144729	1.0	No	SL4-FRT-MTG-PLATE-R
4	5329076	2.0	No	PF front cover dolly bracket
8	5123971	1.0	No	BLOCK, MTG ALIGNMENT PIN
10	5329074	1.0	No	PF front cover dolly bracket, LR
19	5329075	1.0	No	SL4-FRT-BRKT-DOLLY-LL
23	5143952	1.0	No	ENCAPSULATED GE LOGO
24	5152329	1.0	No	BRIGHTSPEED LOGO LABEL
30	5144732	1.0	No	SL4-BRACKET-LATCH-RL
35	5144730	1.0	No	SL4-FRT-MTG-PLATE-ADJ
36	5123972	1.0	No	BLOCK, MTG ALIGNMENT PIN-SMALL
49	5368675	1.0	No	GND wire for EMC

Table 4-91 SL4-LITE-COVER-FRONT-SUB-ASSY (5248944BOM, Rev 1)

3.3.2 E-Stop Assembly - White N9 (2194456-4)

FRU = YES



Status: RELEASE Document is released and under formal Change Control. Changes are subject to the ECR/ECO Process. See the GEHC MyWorkstep System to determine the status of this document.

Approved Document - 2194456-4ADW_r1.pdf Page 2 of 2

Figure 4-120 E-Stop Assembly - White N9 (2194456-4ADW, sheet 1, rev 1)

MARK	NUMBER	QTY	FRU CODE	DESCRIPTION/NAME
1	5323822	1.0	No	ESW PLATE
2	5323821	1.0	No	ESW BASE N9
3	5317422	1.0	No	EMERGENCY SWITCH RUBBER, N9
4	5328810	1.0	No	SWITCH, PUSHBUTTON, SPST, STRAIGHT, 10A, 600V
10	3002-M3C-04	4.0	No	Hexagon Prevailing Torque Nut, ISO7040, M3-0.5, Grade 8 Steel, Zinc Plated, RoHS Fastener

Table 4-92 E-Stop Asm - White N9 (2194456-4 BOM, Rev 1)

3.3.3 P9213YX MIC Assembly (2111955)

FRU = YES

数	DESCRIPTION	FZ2-	DATE	REV. BY	CH

作製手順

- ⑤ および ④ を、部品面（シルク面）から ① に挿入して半田付けする。
- ① の裏面に出た ⑤ および ④ のピンを出来るだけ短くカットする。
- ② のピンを ③ の穴を通し、裏面より ① に挿入して半田付けする。
- ① の 部品面に出た ② のピンをカットする。

SCALE	製品形名 MOD. CODE Eu	
材料(部品) MATERIAL	FIRST USED IN Eu	数量 QTY 2
処理 FIN SH	名称 TITLE	
表面粗さ SURF RGH	P9213YX MIC ASSY	
単位 UNIT mm	DR. 井式	SFCT. CT DIV
普通許容差は、普通許容差規格 YES901.03による。	CH. Hara	図面 DWG No 2111955ADW
PROJECTION	APP. 馬場	1994-5-20

Form Y-16A-3 V 1.1

YOKOGAWA MEDICAL SYSTEMS

Figure 4-121 P9213YX MIC Assembly (2111955ADW, sheet 1, rev 0)

MARK	NUMBER	QTY	FRU	DESCRIPTION/NAME
2	U0009ER	1.0	Yes	MICROPHONE
1	2111956	1.0	No	P9213YY MIC BD
3	P9153SY	1.0	No	MIC SHEET (P9153YX)
4	U2310RM	1.0	No	RESISTOR 1k OHMS 1 percent .25 WATTS RADIAL
5	U4104FA	1.0	No	CONNECTOR_NEW IL-G-4P-S3L2-E

Table 4-93 P9213YX MIC Assembly (2111955 BOM, rev 0)

3.3.4 SL4-Lite-Patient-Sensor, Small (5181801)

FRU = YES

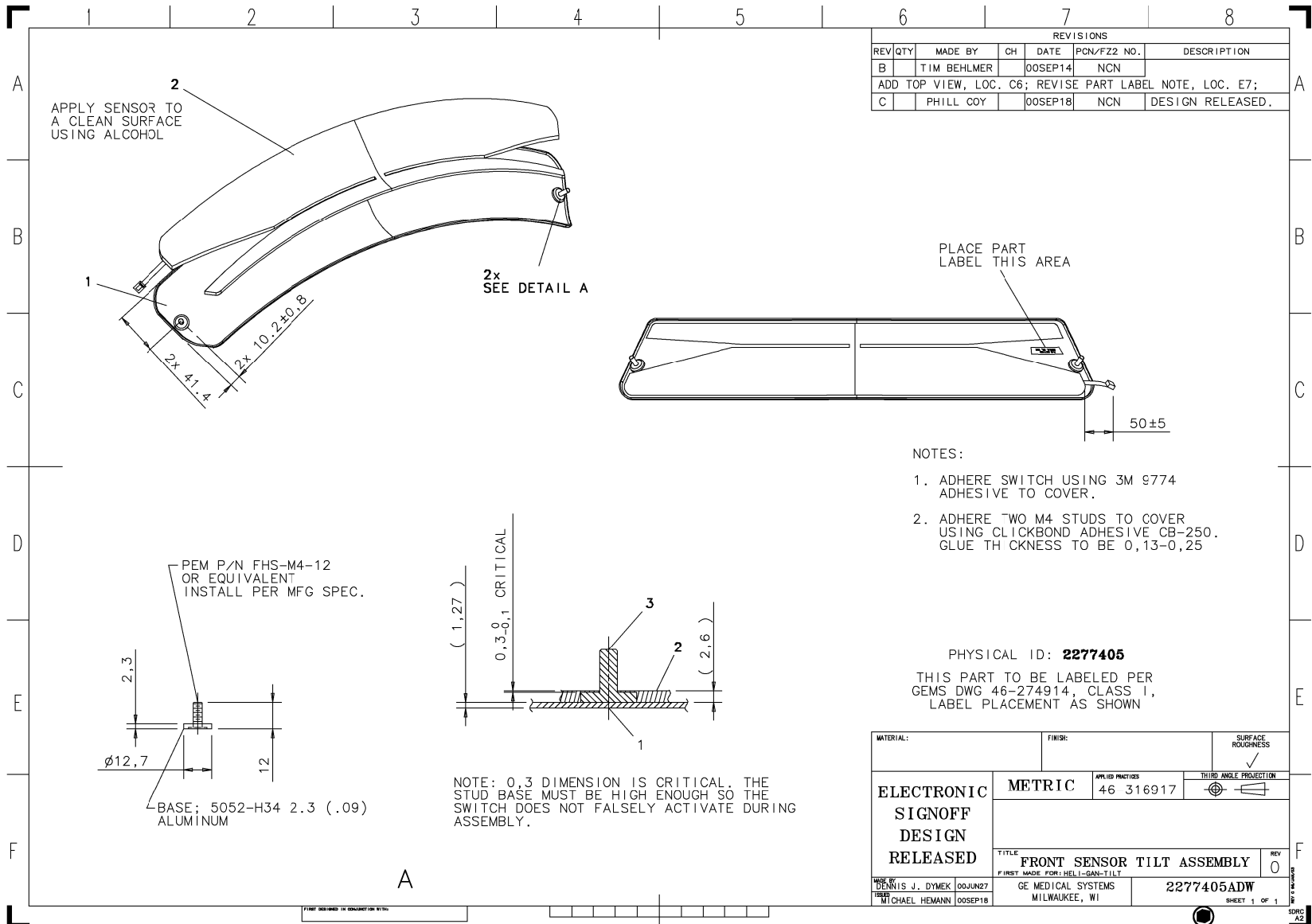


Figure 4-122 SL4-Lite-Patient-Sensor, Small (2277405DW, sheet 1, rev 0)

MARK	NUMBER	QTY	FRU	DESCRIPTION/NAME
1	5181802	1.0	No	SL4-Lite-thermoformed-cover,front sensor
2	5181803	1.0	No	SL4-Lite-switch,front patient sensor

Table 4-94 SL4-Lite-Patient-Sensor,Small (5181801 BOM, rev 2)

MARK	NUMBER	QTY	FRU	DESCRIPTION/NAME
	46-208758P9	2.0	Yes	11.08~X .140~ SELF-LOCKING CABLE TIE 1/16~ TO 3~ WIRE BUNDLE RANGE. 40LB TENSILE STRENGTH, NYLON MATR~L. (DWG REV 5/92, JFK - OK).
1	5144744	1.0	Yes	SL4-cover-rear-sub-assy {For further detail, see Section 3.4.1, beginning on page 398. }
2	5168106	1.0	Yes	SL4 reduced-force TGC Assembly, Right Side
3	5168046	1.0	Yes	SL4 reduced-force TGC Assembly, Left Side
4	2194474	1.0	Yes	XRAY-DISPLAY ASM - Mist Gray {For further detail, see Section 3.4.2, beginning on page 402. }
5	2194456-4	2.0	Yes	E-Stop Asm - White N9 {For further detail, see Section 3.3.2, beginning on page 390. }
6	2200386-2	1.0	Yes	BREATHING LIGHT ASM - Mist Gray with Green LEDs
7	2111955	1.0	Yes	P9213YX MIC ASSY {For further detail, see Section 3.3.3, beginning on page 392. }
8	2277404	1.0	Yes	Sensor Asm, Rear Cover - Mist Gray {For further detail, see Section 3.4.3, beginning on page 404. }
9	46-328417P3	16.0	Yes	SCREW HEXAGON SOCKET 4 MM 10 MM ZINC PLATED, STEEL
10	46-328430P2	16.0	Yes	WASHER PLAIN - NORMAL 4.3 MM 9 MM ZINC PLATED, STEEL
11	2388859	6.0	Yes	U0757AA_WASHER
12	46-312346P2	6.0	Yes	NUT, M4 X 0.7 HEX WITH LOCK WASHER ZINC PLATED
13	46-328432P2	16.0	Yes	WASHER LOCK - SPRING 4.1 MM 7.6 MM ZINC PLATED, SPRING STEEL
14	2176596	1.0	Yes	P9233TY 22WIRE ASSY
15	46-208758P10	9.0	Yes	8.00~ X .094~ SELF-LOCKING CABLE TIE 1/16~ TO 2~ WIRE BUNDLE RANGE. 18LB TENSILE STRENGTH, NYLON MATR~L. SAME AS 46-208758P7 EXCEPT RESTRICT VENDOR TO T&B. TIE MUST BE .094~ WID E. (DWG REV 5/92, JFK - OK).
16	46-170686P3	0.0	Yes	LOCTITE 242, 50CC 12 MONTH SHELF LIFE FROM DATE OF SHIPMENT FROM THE MANUFACTURER.

Table 4-95 SL4 Cover-Assembly-Rear (5144693 BOM, rev 3)

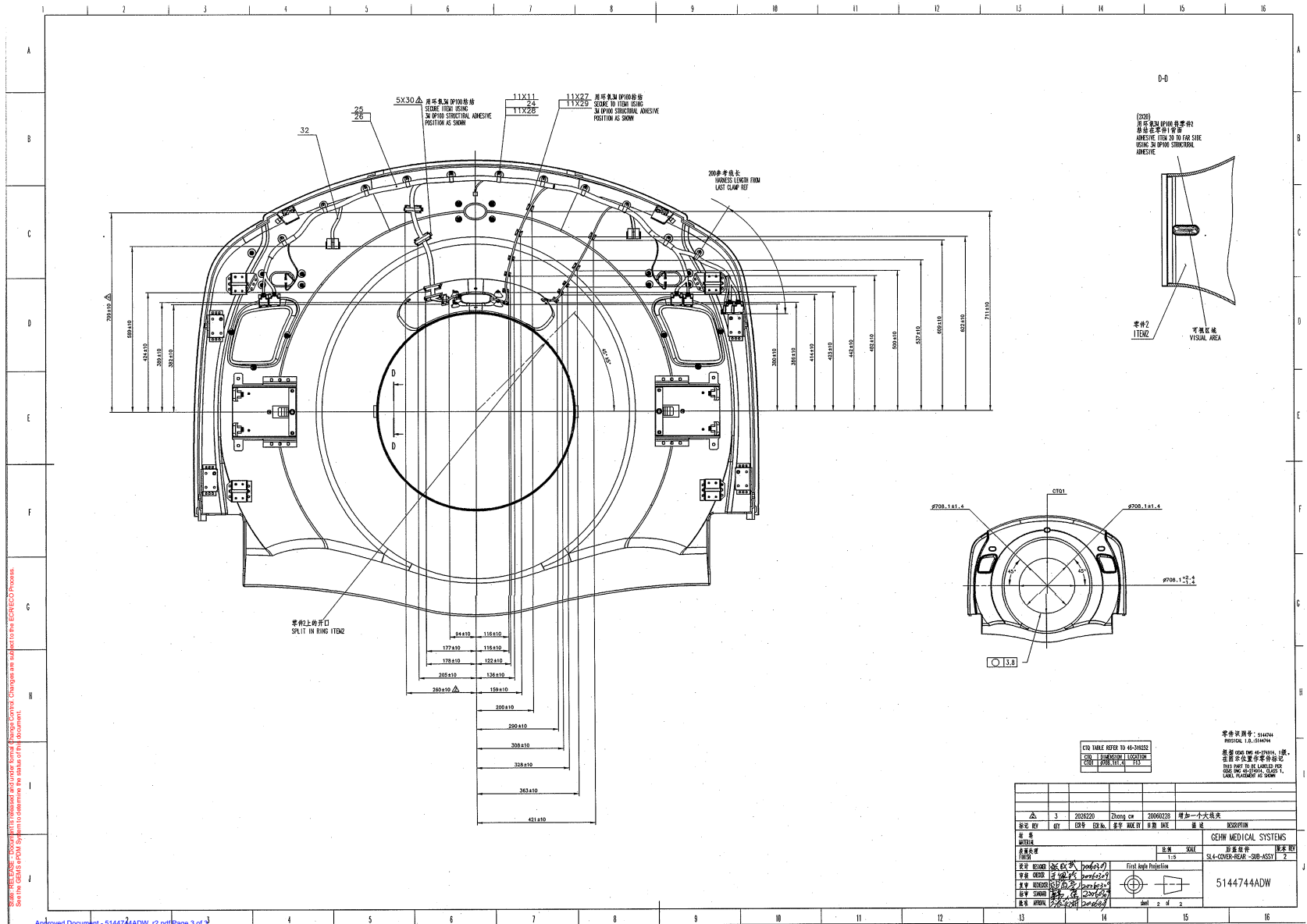


Figure 4-125 SL4-Cover-Rear-Sub-assembly (5144744ADW, sheet 2, rev 2)

MARK	NUMBER	QTY	FRU	DESCRIPTION/NAME
2	2324081	1.0	Yes	TRIM RING, SCAN WINDOW
4	5144747	2.0	Yes	SL4 dolly bracket
5	2258071	4.0	Yes	BRACKET, LATCH
6	5148207	1.0	Yes	SL4 Rear Dolly Bottom SPRT-R.
7	2277655-3	4.0	Yes	LATCH, HANDLE ASSEMBLY
9	5148208	1.0	Yes	SL4 Rear Dolly Bottom SPRT-L
10	46-328417P4	20.0	Yes	SCREW HEXAGON SOCKET 4 MM 12 MM ZINC PLATED, STEEL
11	46-328417P3	11.0	Yes	SCREW HEXAGON SOCKET 4 MM 10 MM ZINC PLATED, STEEL
12	46-328417P7	8.0	Yes	SCREW HEXAGON SOCKET 4 MM 25 MM ZINC PLATED, STEEL
13	2103580-12	2.0	Yes	SCREW COUNTERSUNK HEA 6 MM 12 MM CAP SCREWS BLACK OXIDE, STEEL
14	46-328417P12	16.0	Yes	SCREW HEXAGON SOCKET 6 MM 12 MM ZINC PLATED, STEEL
15	46-328417P16	4.0	Yes	SCREW HEXAGON SOCKET 6 MM 30 MM ZINC PLATED, STEEL
16	46-328430P2	8.0	Yes	WASHER PLAIN - NORMAL 4.3 MM 9 MM ZINC PLATED, STEEL
17	46-328430P3	2.0	Yes	WASHER PLAIN - NORMAL 6.4 MM 12 MM ZINC PLATED, STEEL
18	5144748	1.0	Yes	SL4 Frong Rear cover tab bracket
19	46-170686P3	0.0	Yes	LOCTITE 242, 50CC 12 MONTH SHELF LIFE FROM DATE OF SHIPMENT FROM THE MANUFACTURER.
20	2276371-3	2.0	Yes	WINDOW, LASER
21	5159035	2.0	Yes	CAUTION LABEL LASER
23	5144748-2	1.0	Yes	SL4 front_rear cover tab bracket
24	46-170683P1	0.0	Yes	LOCTITE 222, 10CC BOTTLE 12 MONTH SHELF LIFE FROM DATE OF SHIPMENT FROM THE MANUFACTURER
25	2270461	1.0	Yes	HARNESS FOR H2 REAR COVER
26	2270460	1.0	Yes	HARNESS FOR H2 REAR COVER
27	46-208747P2	11.0	Yes	ADHESIVE MOUNT - CABLE TIE
28	46-208714P11	11.0	Yes	CABLE OD 0.75 RICHCO NO. N-12B
29	46-208758P9	11.0	Yes	11.08~X .140~ SELF-LOCKING CABLE TIE 1/16~ TO 3~ WIRE BUNDLE RANGE. 40LB TENSILE STRENGTH, NYLON MATR~L. (DWG REV 5/92, JFK - OK).

Table 4-96 SL4-Cover-Rear-Sub-assembly (5144744 BOM, rev 2)

MARK	NUMBER	QTY	FRU	DESCRIPTION/NAME
30	46-220191P3	5.0	Yes	PANDUIT FCM2-A-C14 GRAY, FLAT CABLE
31	N9516ZX	4.0	Yes	CAP SCREW 5X16 Fe
32	2345484	1.0	Yes	REAR COVER AC HARNESS FOR FANS
33	2374202	2.0	Yes	LABEL CAUTION IEC 878
34	46-328432P8	4.0	Yes	WASHER LOCK - SPRING 5.1 MM 9.2 MM
35	N9501WS	4.0	Yes	WASHER PLAIN - LARGE 5.3 MM 10 MM WASHER M5
1	5144749	1.0	No	SL4 cover rear FRP
3	5131862	2.0	No	SL4 GANTRY REAR COVER MTG PLATE
8	5123971	2.0	No	BLOCK, MTG ALIGNMENT PIN

Table 4-96 SL4-Cover-Rear-Sub-assembly (5144744 BOM, rev 2) (Continued)

MARK	NUMBER	QTY	FRU	DESCRIPTION/NAME
M10	N9306HR	4.0	Yes	SCREW TP 3X6 FE ZN
M806	2179022	1.0	Yes	P9233XY XDISP BD ASSY
M1	2194475	1.0	No	P9233QJ IND SHEET
M2	2194476	1.0	No	P9233QH IND SPRT

Table 4-97 Xray-Display Assembly - Mist Gray (2194474 BOM, rev 25)

MARK	NUMBER	QTY	FRU	DESCRIPTION/NAME
1	2258040	1.0	Yes	THERMOFORMED COVER, REAR TILT SENSOR
2	2277596	1.0	No	SWITCH, REAR PATIENT SENSOR
3	2283767	1.0	No	GROMMET, RUBBER FOR MIC HOLE, SENSOR

Table 4-98 Sensor Assembly, Rear Cover - Mist Gray (2277404 BOM, rev 2)

3.5 BSD Top Cover Assembly,PF (5248955)

FRU = YES

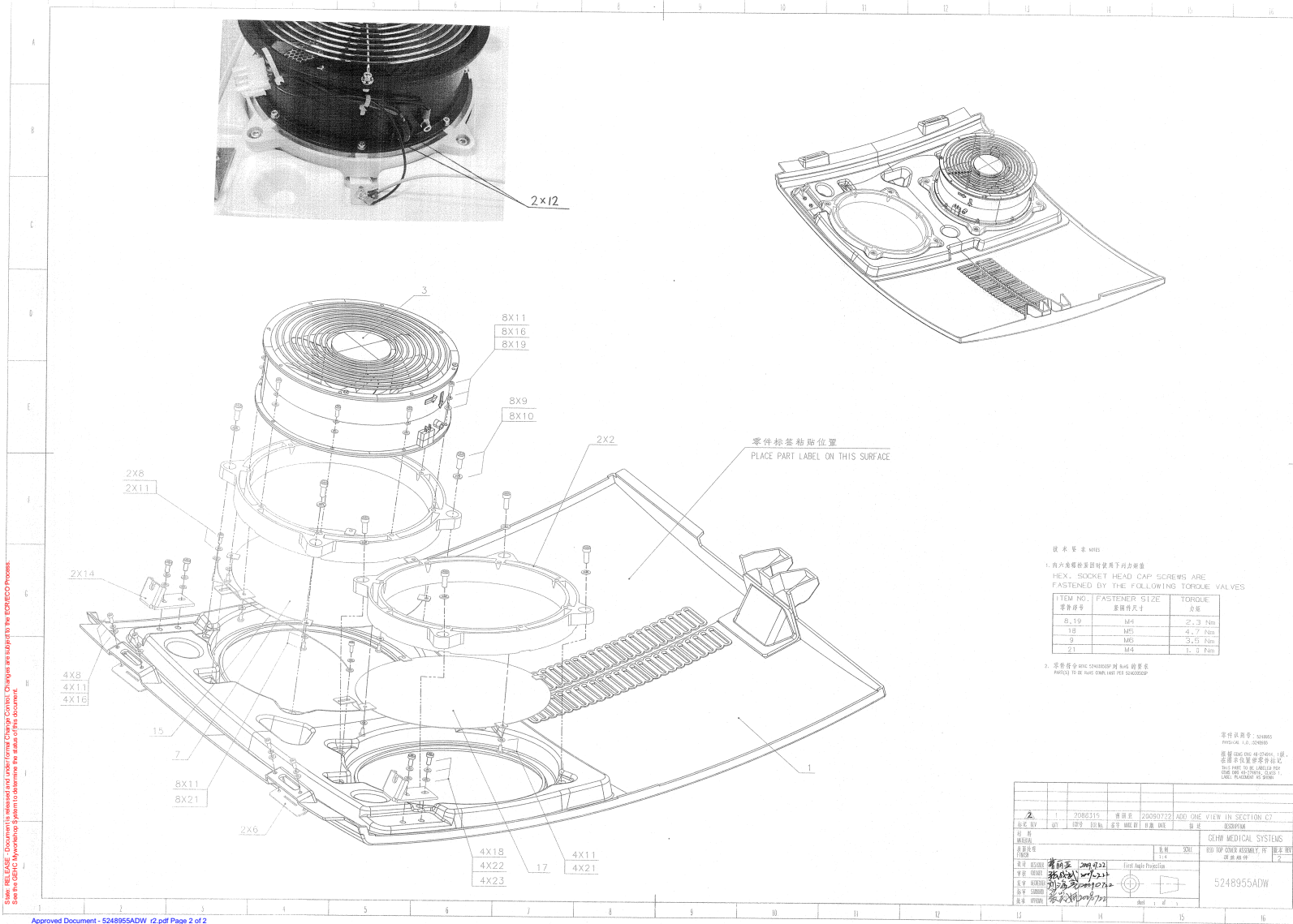


Figure 4-128 BSD Top Cover Assembly,PF (5248955ADW, sheet 1, rev 2)

MARK	NUMBER	QTY	FRU	DESCRIPTION/NAME
	2359114	1.0	Yes	HPOWER GANTRY FAN AND HARNESS
2	5144758	2.0	Yes	SL4 fan adapter
3	5340738	1.0	Yes	GANTRY FAN AND HARNESS
6	5147898-2	2.0	Yes	SL4 Side Cover Mounting Bracket Tab Long
7	5144759	1.0	Yes	SL4 mesh
8	46-328417P3	6.0	Yes	SCREW HEXAGON SOCKET 4 MM 10 MM ZINC PLATED, STEEL
10	46-328430P3	8.0	Yes	WASHER PLAIN - NORMAL 6.4 MM 12 MM ZINC PLATED, STEEL
11	46-328430P2	26.0	Yes	WASHER PLAIN - NORMAL 4.3 MM 9 MM ZINC PLATED, STEEL
12	46-208758P2	2.0	Yes	5.5~ X .140~ SELF-LOCKING CABLE TIE. 1/16~ TO 1-1/4~ WIRE BUNDLE RANGE. 30LB TENSILE STRENGTH, NYLON MATR~L.
13	46-170684P2	0.0	Yes	LOCTITE 271, 10CC BOTTLE 12 MONTH SHELF LIFE FROM DATE OF SHIPMENT FROM THE MANUFACTURER. (REV, TK, 1/92).
14	5144757	2.0	Yes	SL4 top cover bracket left
16	46-328432P2	12.0	Yes	WASHER LOCK - SPRING 4.1 MM 7.6 MM ZINC PLATED, SPRING STEEL
18	N9516ZX	4.0	Yes	CAP SCREW 5X16 Fe
19	46-328417P4	8.0	Yes	SCREW HEXAGON SOCKET 4 MM 12 MM ZINC PLATED, STEEL
21	46-328421P14	12.0	Yes	SCREW PAN HEAD M4X10 MM ZINC PLATED, STEEL
22	46-328432P8	4.0	Yes	WASHER LOCK - SPRING 5.1 MM 9.2 MM
23	N9501WS	4.0	Yes	WASHER PLAIN - LARGE 5.3 MM 10 MM WASHER M5
1	5248957	1.0	No	BSD TOP COVER,PF
9	5316348	8.0	No	Nylok screw M6X20, Hex socket head cap
15	5148209	1.0	No	Top cover ground cable
17	5144762	1.0	No	SL4 plate guard

Table 4-99 BSD Top Cover Assembly,PF (5248955 BOM, rev 3)

3.6 BSD Side Cover R Assembly,PF (5248950)

FRU = YES

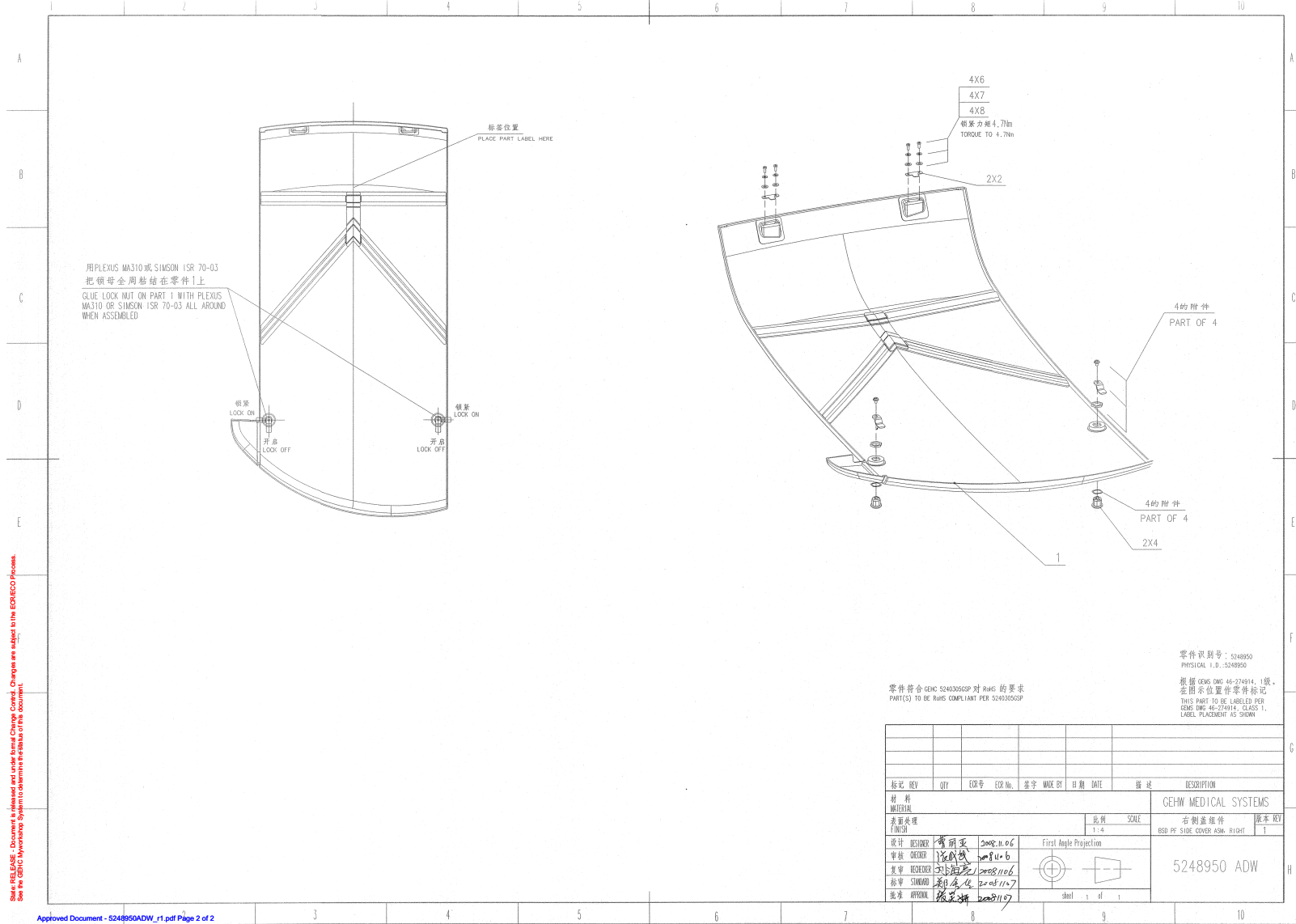


Figure 4-129 BSD Side Cover R Assembly,PF (5248950ADW, sheet 1, rev 1)

MARK	NUMBER	QTY	FRU	DESCRIPTION/NAME
2	5144754	2.0	Yes	SL4 Bracket tab side cover
6	N9510ZX	4.0	Yes	SCREW HEXAGON SOCKET 5 MM 10 MM CAP SCREW 5X10 FE
7	46-328432P8	4.0	Yes	WASHER LOCK - SPRING 5.1 MM 9.2 MM
8	N9501WS	4.0	Yes	WASHER PLAIN - LARGE 5.3 MM 10 MM WASHER M5
1	5248951	1.0	No	BSD SIDE COVER R ,PF
4	5144750-2	2.0	No	SL4 side cover lock LR, it was used on Hivalue gantry side cover.

Table 4-100 BSD Side Cover R Assembly,PF (5248950 BOM, rev 1)

3.7 BSD Side Cover L Assembly,PF (5248947)

FRU = YES

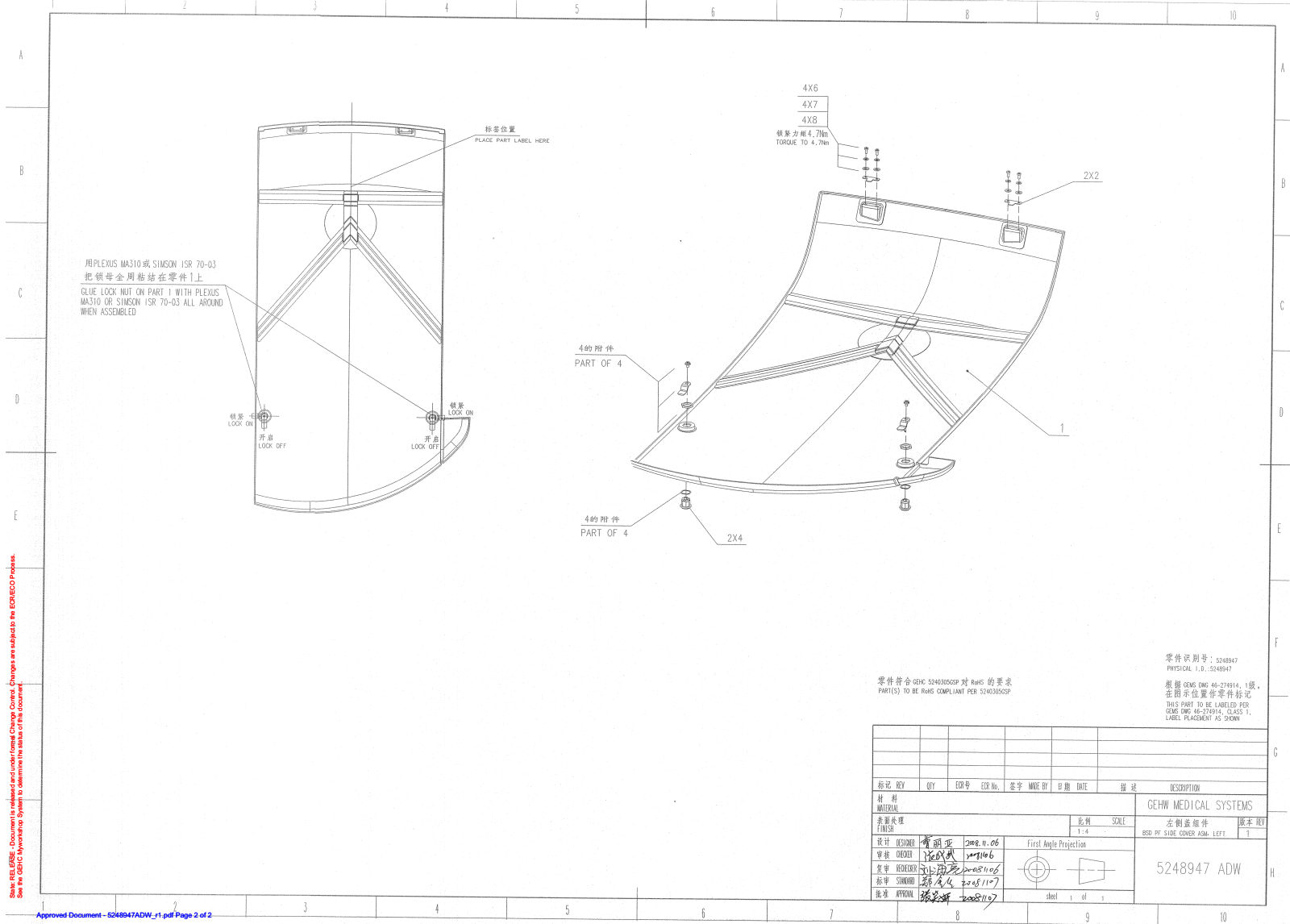


Figure 4-130 BSD Side Cover L Assembly,PF (5248947ADW, sheet 1, rev 1)

MARK	NUMBER	QTY	FRU	DESCRIPTION/NAME
2	5144754	2.0	Yes	SL4 Bracket tab side cover
6	N9510ZX	4.0	Yes	SCREW HEXAGON SOCKET 5 MM 10 MM CAP SCREW 5X10 FE
7	46-328432P8	4.0	Yes	WASHER LOCK - SPRING 5.1 MM 9.2 MM
8	N9501WS	4.0	Yes	WASHER PLAIN - LARGE 5.3 MM 10 MM WASHER M5
1	5248949	1.0	No	BSD SIDE COVER L ,PF
4	5144750-2	2.0	No	SL4 side cover lock LR, it was used on Hivalue gantry side cover.

Table 4-101 BSD Side Cover L Assembly,PF (5248947 BOM, rev 1)

Section 4.0 — SL Gantry Assembly-16 Slices,6.3M Green Tube (5143716-2)

FRU = NO (see [Figure Figure 4-21, beginning on page 184.](#))

MARK	NUMBER	QTY	FRU	DESCRIPTION/NAME
2	5248954	1.0	Yes	BSD BOTTOM COVER,PF
3	46-328417P13	2.0	Yes	SCREW HEXAGON SOCKET 6 MM 16 MM ZINC PLATED, STEEL
4	46-328431P2	2.0	Yes	WASHER PLAIN - LARGE 6.4 MM 18 MM ZINC PLATED, STEEL
5	5142849-4	1.0	Yes	ASSEMBLY, SCAN WINDOW, LIGHTSPEED SERIES H2 THRU HP RIM COVERS, WEATHERSTRIP UPDATED MAY 2005 {For further detail, see Section 3.2, beginning on page 382. }
6	5181800	1.0	Yes	SL4-Lite-cover-front-assy {For further detail, see Section 3.3, beginning on page 384. }
7	5144693	1.0	Yes	SL4 cover-assy-rear {For further detail, see Section 3.4, beginning on page 396. }
8	5248955	2.0	Yes	BSD TOP COVER ASSY,PF {For further detail, see Section 3.5, beginning on page 406. }
10	5248950	1.0	Yes	BSD SIDE COVER R ASSY,PF {For further detail, see Section 3.6, beginning on page 408. }
11	5248947	1.0	Yes	BSD SIDE COVER L ASSY,PF {For further detail, see Section 3.7, beginning on page 410. }
16	46-328432P3	4.0	Yes	WASHER LOCK - SPRING 6.1 MM 11.8 MM ZINC PLATED, SPRING STEEL
32	46-208758P3	3.0	Yes	7.31~ X .184~ SELF-LOCKING CABLE TIE 1/16~ TO 1-3/4~ WIRE BUNDLE RANGE. 50LB TENSILE STRENGTH, NYLON MATR~L.
34	46-170686P3	0.0	Yes	LOCTITE 242, 50CC 12 MONTH SHELF LIFE FROM DATE OF SHIPMENT FROM THE MANUFACTURER.
35	2236649-2	2.0	Yes	WASHER, FLAT, ISO7089, M6, ST-HB200
36	46-328417P14	2.0	Yes	SCREW HEXAGON SOCKET 6 MM 20 MM ZINC PLATED, STEEL
1	5144691-6	1.0	No	SL gantry vertical asm, 16 slices, 6.3M green Tube {For further detail, see Section 4.1, beginning on page 414. }
9	5161456	1.0	No	BRIGHTSPEED GANTRY RATING PLATE
12	2370486	2.0	No	TOP COVER FAN HARNESS

Table 4-102 SL Gantry Assembly-16 Slices,6.3M Green Tube (5143716-2 BOM, rev 10)

MARK	NUMBER	QTY	FRU	DESCRIPTION/NAME
13	5133936	1.0	No	HINO LABEL-ETL-COMPONENT-MEDICAL-EQUIP
31	U6604FA	2.0	No	CONNECTOR_NEW RECTANGULAR, UN 4 EACH 350779-1
33	5179575	1.0	No	Warning label -No Service area for VCT

Table 4-102 SL Gantry Assembly-16 Slices,6.3M Green Tube (5143716-2 BOM, rev 10) (Continued)

4.1 SL Gantry Vertical Assembly, 16 slices, 6.3M Green Tube (5144691-6)

FRU = NO (see [Figure Figure 4-23, beginning on page 188.](#))

MARK	NUMBER	QTY	FRU	DESCRIPTION/NAME
6	46-328417P67	4.0	Yes	SCREW HEXAGON SOCKET 12 MM 50 MM
7	5165116	1.0	Yes	SL4 Dynamic Brake Module {For further detail, see Section 3.1.2, beginning on page 206. }
10	2278973	4.0	Yes	SOUTHCO REMOTE COMPRESSION LATCH
13	5129732	1.0	Yes	LS4 drive-assy-axial {For further detail, see Section 3.1.3, beginning on page 210. }
15	5182194-2	1.0	Yes	SL4 ENCODER ASM, with-LED, with MD gear {For further detail, see Section 3.1.4, beginning on page 216. }
18	2277655-2	8.0	Yes	LATCH, KEEPER
22	46-170686P3	0.0	Yes	LOCTITE 242, 50CC 12 MONTH SHELF LIFE FROM DATE OF SHIPMENT FROM THE MANUFACTURER.
23	46-328417P13	9.0	Yes	SCREW HEXAGON SOCKET 6 MM 16 MM ZINC PLATED, STEEL
24	46-208758P3	81.0	Yes	7.31~ X .184~ SELF-LOCKING CABLE TIE 1/16~ TO 1-3/4~ WIRE BUNDLE RANGE. 50LB TENSILE STRENGTH, NYLON MATR~L.
27	5160022	2.0	Yes	SL4 HANDLE, COMPRESSION LATCH
29	46-328417P7	8.0	Yes	SCREW HEXAGON SOCKET 4 MM 25 MM ZINC PLATED, STEEL
31	2236649-2	36.0	Yes	WASHER, FLAT, ISO7089, M6, ST-HB200
32	46-328417P62	8.0	Yes	SCREW HEXAGON SOCKET 12 MM 20 MM
34	2236649-5	13.0	Yes	WASHER, FLAT, ISO7089,M12, ST-HB200
35	46-328430P2	35.0	Yes	WASHER PLAIN - NORMAL 4.3 MM 9 MM ZINC PLATED, STEEL
36	2277599	2.0	Yes	HANDLE, COMPRESSION LATCH
42	2271661	1.0	Yes	H2 COVER BREATHING LIGHT CABLE
44	46-221417P4	2.0	Yes	FEMALE SCREWLOCKS FOR HD CONNECTORS. 4-40 THREAD, 0.470 OVERALL LENGTH YELLOW CHROMATE, TWO PER KIT. 0.312 BOTTOM, 0.094 PANEL THK. MAX KIT INCLUDES NUTS AND WASHERS See drawing for approved vendor
46	2344336	1.0	Yes	TILT SIDE AC HARNESS

Table 4-103 SL Gantry Vertical Assembly, 16 slices, 6.3M green Tube (5144691-6 BOM, rev 16)

MARK	NUMBER	QTY	FRU	DESCRIPTION/NAME
47	46-328417P11	6.0	Yes	SCREW HEXAGON SOCKET 6 MM 10 MM ZINC PLATED, STEEL
48	46-170623P2	0.0	Yes	BLACK, HEAVY-DUTY LUBRICATING PASTE. (1 PINT CAN) SHELF LIFE, UNDER NORMAL STORAGE CON DITIONS, HAS NO KNOWN LIMITS. (DWG REV 6/92, JFK - OK).
49	46-328432P2	31.0	Yes	WASHER LOCK - SPRING 4.1 MM 7.6 MM ZINC PLATED, SPRING STEEL
54	46-328421P503	2.0	Yes	SCREW PAN HEAD 2 MM 10 MM
55	2303589	1.0	Yes	HARNESS-CT MOBILE TILT INDICATE SWIT
57	5127878	1.0	Yes	SL4 RIGHT SIDE PANEL
58	46-328417P12	50.0	Yes	SCREW HEXAGON SOCKET 6 MM 12 MM ZINC PLATED, STEEL
59	46-328431P2	11.0	Yes	WASHER PLAIN - LARGE 6.4 MM 18 MM ZINC PLATED, STEEL
60	46-328432P3	30.0	Yes	WASHER LOCK - SPRING 6.1 MM 11.8 MM ZINC PLATED, SPRING STEEL
61	5145209	1.0	Yes	SL4 LEFT SIDE PANEL
63	46-328417P64	2.0	Yes	SCREW HEXAGON SOCKET 12 MM 30 MM
65	2333142	1.0	Yes	MSUB -J23 TO ENCODER
67	2333146-2	1.0	Yes	CABLE MSUB-J18 TO BALANCE SENSORS
73	46-328417P2	57.0	Yes	SCREW HEXAGON SOCKET 4 MM 8 MM ZINC PLATED, STEEL
74	46-328431P1	4.0	Yes	WASHER PLAIN - LARGE 4.3 MM 12 MM ZINC PLATED, STEEL
79	46-328417P4	25.0	Yes	SCREW HEXAGON SOCKET 4 MM 12 MM ZINC PLATED, STEEL
87	46-328425P1	1.0	Yes	NUT HEXAGON 4 MM
93	46-208718P5	3.0	Yes	1/2~ ID LOOP TYPE, TA MFG CO TA713D8
94	46-208758P10	62.0	Yes	8.00~ X .094~ SELF-LOCKING CABLE TIE 1/16~ TO 2~ WIRE BUNDLE RANGE. 18LB TENSILE STRENGTH, NYLON MATR~L. SAME AS 46-208758P7 EXCEPT RESTRICT VENDOR TO T&B. TIE MUST BE .094~ WID E. (DWG REV 5/92, JFK - OK).
95	46-208718P3	2.0	Yes	CLAMP, CUSHIONED, ID .375 LOOP TYPE TA MFG CORP TA713D6
98	46-208758P5	33.0	Yes	SELF LOCKING CABLE TIE
101	2303601	1.0	Yes	HARNESS-CT MOBILE TILT INDICATOR
102	2293409	1.0	Yes	CABLE FIBER OPT
108	5126690	4.0	Yes	keeper,slam latch, VCT, symmetric
111	46-328417P25	12.0	Yes	SCREW HEXAGON SOCKET 10 MM 35 MM ZINC PLATED, STEEL
112	2236649-4	13.0	Yes	WASHER, FLAT, ISO7089,M10, ST-HB200

Table 4-103 SL Gantry Vertical Assembly, 16 slices, 6.3M green Tube (5144691-6 BOM, rev 16) (Continued)

MARK	NUMBER	QTY	FRU	DESCRIPTION/NAME
113	U0208AC	3.0	Yes	CLAMP TC-142 TAIRATSUPU KOTEI
114	N9408JS	3.0	Yes	SCREW NABE 4X8 Fe Zn
115	5144702	2.0	Yes	SL4 E Service outlet_Estop Asm {For further detail, see Section 3.1.6, beginning on page 224. }
117	2333147-2	1.0	Yes	CABLE MSUB-J7 TO TILT LIMIT SW
118	2387385	1.0	Yes	POWER PAN ASM 550V {For further detail, see Section 3.1.7, beginning on page 226. }
125	46-208718P7	1.0	Yes	CLAMP CUSHIONED ID 0.625 LOOP TYPE TA MFG CORP TA713D10
127	46-325136P1	1.0	Yes	CABLE CLAMP,RICHCO #UMS-16-45,,37 TO 1IN DIA.,RELEASABLE,MOUNTS WITH #8
159	2348298	1.0	Yes	TIMING BELT, 2.03 PITCH X 6 WIDE
165	2326192	1.0	Yes	TEMP SENSOR BOARD
173	2269012	2.0	Yes	ALUMINUM CHANNEL,152MM
174	2269011	2.0	Yes	ALUMINUM CHANNEL, 305MM
175	2269009	2.0	Yes	GANTRY CONTACT SWITCH,2 SEGMENT
176	5135613	1.0	Yes	SL4 CONTACT SWITCH MTG BRKT 305mm LH
179	2106207	4.0	Yes	1 1/2 -12 THDS 2.00 O.D. .25 THK, GANTRY & TABLE INSTALLATION ADJUSTER LOCK RING FOR BASEPLATE-LESS HSA SYSTEMS.
180	2105871	4.0	Yes	GANTRY AND TABLE INSTALLATION LEVELING SCREW FOR BASEPLATE-LESS HSA SYSTEMS.
181	2103580-40	10.0	Yes	SCREW COUNTERSUNK HEX 3 MM 10 MM
182	46-208561P147	4.0	Yes	SCREW SCREW OLD F70BIAR ZINC PL HT TR FOR HYD EMB
185	2354132	1.0	Yes	BALANCE SENSOR BUFFER BOARD
187	2347474	2.0	Yes	PIEZO,H-POWER FIELD BALANCE SENSOR
188	2378301	1.0	Yes	COVER SIDE BALANCE SENSOR
189	2360821	1.0	Yes	HARNESS BALANCE SENSORS TO BUFFER BD
191	2217943	1.0	Yes	IDLER ASM WITH MTG PLATE FOR H2 GANT {For further detail, see Section 3.1.9, beginning on page 232. }
193	46-297391P1	1.0	Yes	SPRING
196	46-328432P7	6.0	Yes	WASHER LOCK - SPRING 12.2 MM 21.1 MM

Table 4-103 SL Gantry Vertical Assembly, 16 slices, 6.3M green Tube (5144691-6 BOM, rev 16) (Continued)

MARK	NUMBER	QTY	FRU	DESCRIPTION/NAME
199	2366242	1.0	Yes	COVER, POSITION LOCK SAFETY
200	2109872-3	2.0	Yes	SCREW BUTTON HEAD 4 MM 12 MM
202	46-208562P8	4.0	Yes	SCREW 3/8X16X1~ FLAT HEAD STL F70B5A2 ZINC PL HT TR FOR HYD EMB
203	46-328417P3	10.0	Yes	SCREW HEXAGON SOCKET 4 MM 10 MM ZINC PLATED, STEEL
267	5120636	1.0	Yes	Harness - TGP J8 to Slipring J7 - EMC Edition2
268	5120637	1.0	Yes	Harness - TGP J11 to Covers - EMC Edition2
269	5120639	1.0	Yes	Cable - Gantry to MSUB J21 - EMC Edition 2
270	5120640	1.0	Yes	Harness - MSUB J8 to Covers - EMC Edition 2
271	5120641	1.0	Yes	Cable - MSUB J26 to Table Foot Switch - EMC Edition 2
272	5129522	1.0	Yes	Cable - Table to TGPU - J28
273	5120643	1.0	Yes	Cable - Service Board to MSUB J30 - EMC Edition 2
274	5120644	1.0	Yes	Cable - Ax Drive to MSUB J29 - EMC Edition 2
275	5272458	1.0	Yes	BSD 120V PowerPan with PET and GOP outlet added, and 5 CBs {For further detail, see Section 3.1.10, beginning on page 234. }
276	5120648	1.0	Yes	Cable - Thermal Sensor to MSUB J24 - EMC Edition 2
277	5120649	1.0	Yes	Cable TGP J5 to Power Pan - EMC Edition 2
278	5120656	1.0	Yes	Harness - Receiver Power - EMC Edition 2
279	5120662	1.0	Yes	Harness - Slip Ring Power
282	2356863-3	1.0	Yes	SL4 GANTRY TILT FEEDBACK ASSEMBLY, EMC ED2 {For further detail, see Section 3.1.12, beginning on page 240. }
318	46-328417P15	5.0	Yes	SCREW HEXAGON SOCKET 6 MM 25 MM ZINC PLATED, STEEL
319	46-208759P1	1.0	Yes	7.81~ X .184~ SELF-LOCKING CABLE TIE 1/16~ X 1-3/4~ WIRE BUNDLE RANGE. 50 LBS TENSILE STRENGTH, NAT. NYLON. (#10 SCREW MOUNTING HOLE SIZE) MAT~L: NYLON 6/6 PER MIL-N-20693 AND ASTM D4066 STOCK #: 08415 - NATURAL, TYPE I
1	5146051-2	1.0	No	SL4 BRKT, REAR COVER MOUNTING
2	5146051-3	1.0	No	SL4 BRKT, REAR COVER MOUNTING-SLOT
3	5159052	1.0	No	SL4 BRACE ASSY UPPER RIGHT FRONT {For further detail, see Section 3.1.1, beginning on page 204. }
4	2284884	2.0	No	VXWORKS 5.4 LICENCE

Table 4-103 SL Gantry Vertical Assembly, 16 slices, 6.3M green Tube (5144691-6 BOM, rev 16) (Continued)

MARK	NUMBER	QTY	FRU	DESCRIPTION/NAME
5	46-328419P16	8.0	No	SCREW HEXAGON SOCKET 16 MM 30 MM
8	5144706	1.0	No	SL4 BRACE ASSY LOWER-FRT
9	2356044	4.0	No	SPACER, H4 FRONT/REAR COVER MOUNT
11	5131855-2	1.0	No	SL4 BRKT, FRT COVER MOUNTING
12	5131855-3	1.0	No	SL4 BRKT, FRT COVER MOUNT-SOLT
14	2371025	1.0	No	COVER-AXIAL DRIVE PULLEY
17	2355451	1.0	No	PLATE, BOTTOM COVER MOUNTING
19	5144761	1.0	No	SL4 top cover support
20	5144708	3.0	No	SL4 brace assy upper
21	5144707	3.0	No	SL4 brace assy lower-rear
25	5127877	1.0	No	SL4 VERT ANGLE LEFT
26	5147182	1.0	No	SL4 DIAGONAL BRACE
37	2277430	4.0	No	E-RING, BOWED RETAINING RING
43	2358591	1.0	No	UPPER CABLE SUPPORT - RIGHT SIDE
51	5127875	1.0	No	SL4 LEFT BLOCK TILT STOP
52	5127876	1.0	No	SL4 RIGHT BLOCK TILT STOP
81	2275840-2	1.0	No	GROUND - BRAID - STATIONARY BASE TO TILTING BASE
82	5269400-2	1.0	No	Slip Ring Collector, Dual Shield, BrightSpeed
103	2378300	1.0	No	COVER FRONT BALANCE SENSOR
104	5144766	1.0	No	SL4 TGPU SUPPORT BRKT
105	5144703	1.0	No	SL4 TGPU_PS_ASM {For further detail, see Section 3.1.5, beginning on page 220. }
106	46-328419P20	1.0	No	SCREW HEXAGON SOCKET 12 MM 16 MM
107	5145210	2.0	No	SL4 CABLE CLAMP STA BASE
109	5129788	2.0	No	label,ESD ground,VCT gantry
110	5129536	2.0	No	8MM HEX MALE-FEMALE STANDOFF, M5X20 LONG - CLEAR ZINC PLATED
116	5129312	2.0	No	SL4 BOX ESTOP OUTLET
119	5169843	4.0	No	Label, WARNING, Gantry Rotation, Pinch Point

Table 4-103 SL Gantry Vertical Assembly, 16 slices, 6.3M green Tube (5144691-6 BOM, rev 16) (Continued)

MARK	NUMBER	QTY	FRU	DESCRIPTION/NAME
123	2275854-4	1.0	No	GROUND - HP STATION BASE TO RACEWAY
128	5135599	1.0	No	SL4 CABLE TROUGH UPLEFT LOWER
129	5145212	1.0	No	SL4 CABLE CLAMP STA UPPER
130	5135600	1.0	No	SL4 CABLE TROUGH UPRIGHT LOWER
158	2360255	1.0	No	BRACKET
160	5129241	1.0	No	SL4 PULLEY 150 TEETH
162	5149731	1.0	No	SL4 SERVICE BOARD BRKT ASM {For further detail, see Section 3.1.8, beginning on page 230. }
163	5145812	1.0	No	SL4 COVER FILTER
177	5127874	2.0	No	SL4 PILLOW
178	2105872-2	4.0	No	LEVELING PAD LEVELING PAD FOR BASEPLATE-LESS HSA SYSTEM.
183	2266016	2.0	No	BULLS-EYE BUBBLE,.4 DEG/DIV SENSITIV
184	46-328417P56	6.0	No	SCREW HEXAGON SOCKET 2.5 MM 8 MM
186	5145213	1.0	No	SL4 SENSOR BOARD BRKT
192	5191734	1.0	No	Spring holder cylinder for VCT
194	46-328424P37	1.0	No	SCREW SET SCREW 12 MM 80 MM
195	2236649-7	1.0	No	WASHER, FLAT, ISO7089,M20, ST-HB200
206	2371021	2.0	No	BRKT,CABLE TROUGH,STAT BASE,FRT,HPOW
207	2355138	1.0	No	SHIELD GROUND BKT FOR HVDC CABLE
209	5159048	1.0	No	SL4 SIDE CABLE CLAMP RIGHT 1
210	5159517	1.0	No	SL4 SIDE CABLE CLAMP RIGHT 2
211	5159049	1.0	No	SL4 SIDE CABLE CLAMP R COVER
212	5159050	1.0	No	SL4 CABLE CLAMP LEFT
213	5159051	1.0	No	SL4 CABLE CLAMP LEFT COVR
280	5144705	1.0	No	SL4-TGPU-ASM {For further detail, see Section 3.1.11, beginning on page 238. }
281	5145216	1.0	No	SL4 TGPU PAN COVER
283	5149732	1.0	No	SL4 SLIPRING PLATE ASM {For further detail, see Section 3.1.13, beginning on page 242. }

Table 4-103 SL Gantry Vertical Assembly, 16 slices, 6.3M green Tube (5144691-6 BOM, rev 16) (Continued)

MARK	NUMBER	QTY	FRU	DESCRIPTION/NAME
356	2275840-9	1.0	No	ground - braid - power pan to tilting base
358	2275840-11	1.0	No	ground - braid - slipring j5 to tilting base
368	5144701-6	1.0	No	SL gantry horizontal Asm-16 slices, 6.3M green tube {For further detail, see Section 4.1.1, beginning on page 422. }

Table 4-103 SL Gantry Vertical Assembly, 16 slices, 6.3M green Tube (5144691-6 BOM, rev 16) (Continued)

4.1.1 SL Gantry Horizontal Assembly-16 slices, 6.3M Green Tube (5144701-6)

FRU = NO (see [Figure Figure 4-52, beginning on page 246.](#))

MARK	NUMBER	QTY	FRU	DESCRIPTION/NAME
	2120104	2.0	Yes	PRESSURE PLATE FOR MOUNTING TUBE
	46-208759P1	4.0	Yes	7.81~ X .184~ SELF-LOCKING CABLE TIE 1/16~ X 1-3/4~ WIRE BUNDLE RANGE. 50 LBS TENSILE STRENGTH, NAT. NYLON. (#10 SCREW MOUNTING HOLE SIZE) MAT~L: NYLON 6/6 PER MIL-N-20693 AND ASTM D4066 STOCK #: 08415 - NATURAL, TYPE I
2	D3185T	1.0	Yes	PERFORMIX ULTRA TUBE UNIT WITH MOUNTING ASSEMBLY (GREEN) {For further detail, see Section 4.1.1.1, beginning on page 428. }
4	5140001-4	1.0	Yes	helios 4 collimator with notched filler bar and rating plate {For further detail, see Section 3.1.14.3, beginning on page 279. }
15	2105617-4	7.0	Yes	SINGLE, TERMINATED LASER DIODE AMP CONNECTOR, 105MM LONG
23	46-328432P2	41.0	Yes	WASHER LOCK - SPRING 4.1 MM 7.6 MM ZINC PLATED, SPRING STEEL
24	46-328417P3	23.0	Yes	SCREW HEXAGON SOCKET 4 MM 10 MM ZINC PLATED, STEEL
30	46-328432P7	13.0	Yes	WASHER LOCK - SPRING 12.2 MM 21.1 MM
32	46-328417P16	6.0	Yes	SCREW HEXAGON SOCKET 6 MM 30 MM ZINC PLATED, STEEL
35	46-328417P66	43.0	Yes	SCREW HEXAGON SOCKET 12 MM 40 MM
39	2236649-5	27.0	Yes	WASHER, FLAT, ISO7089,M12, ST-HB200
45	46-328417P6	2.0	Yes	SCREW HEXAGON SOCKET 4 MM 20 MM ZINC PLATED, STEEL
50	46-328417P4	42.0	Yes	SCREW HEXAGON SOCKET 4 MM 12 MM ZINC PLATED, STEEL
57	46-208758P5	62.0	Yes	SELF LOCKING CABLE TIE
61	46-208758P10	38.0	Yes	8.00~ X .094~ SELF-LOCKING CABLE TIE 1/16~ TO 2~ WIRE BUNDLE RANGE. 18LB TENSILE STRENGTH, NYLON MATR~L. SAME AS 46-208758P7 EXCEPT RESTRICT VENDOR TO T&B. TIE MUST BE .094~ WID E. (DWG REV 5/92, JFK - OK).
70	46-328417P67	5.0	Yes	SCREW HEXAGON SOCKET 12 MM 50 MM
79	2217993	1.0	Yes	BELT SYNCHRONOUS 4400 MM 30 MM
103	46-170684P3	0.0	Yes	LOCTITE 271, 50ML BOTTLE. 12 MONTH SHELF LIFE FROM DATE OF SHIPMENT FROM THE MANUFACTURER. REV, TK, Jan 92
104	46-170686P3	0.0	Yes	LOCTITE 242, 50CC 12 MONTH SHELF LIFE FROM DATE OF SHIPMENT FROM THE MANUFACTURER.

Table 4-104 SL Gantry Horizontal Assembly-16 slices, 6.3M Green Tube (5144701-6 BOM, rev 7)

MARK	NUMBER	QTY	FRU	DESCRIPTION/NAME
117	46-328430P2	36.0	Yes	WASHER PLAIN - NORMAL 4.3 MM 9 MM ZINC PLATED, STEEL
125	46-328417P83	6.0	Yes	SCREW HEXAGON SOCKET 14 MM 60 MM
126	46-328432P10	6.0	Yes	WASHER LOCK - SPRING 14.2 MM 24.1 MM
127	2236649-8	6.0	Yes	WASHER, FLAT, ISO7089,M14, ST-HB200
129	46-208718P3	1.0	Yes	CLAMP, CUSHIONED, ID .375 LOOP TYPE TA MFG CORP TA713D6
132	46-208718P5	2.0	Yes	1/2~ ID LOOP TYPE, TA MFG CO TA713D8
133	2357076	1.0	Yes	HOME FLAG BRKT,H4 GANTRY {For further detail, see Section 3.1.14.4, beginning on page 294. }
135	46-328430P9	3.0	Yes	WASHER PLAIN - NORMAL 3.2 MM 7 MM
136	46-328432P11	3.0	Yes	WASHER LOCK - SPRING 3.1 MM 6.2 MM
138	46-328417P12	54.0	Yes	SCREW HEXAGON SOCKET 6 MM 12 MM ZINC PLATED, STEEL
140	2174489	1.0	Yes	DIAL INDICATOR MNTS FOR TUBE ALIGNMT
141	46-328425P1	2.0	Yes	NUT HEXAGON 4 MM
148	46-198395P1	1.0	Yes	HEX STANDOFF/NUT
149	46-198393G1	1.0	Yes	SCREW BOLT
190	2363101-3	1.0	Yes	Fuse Box ASM, GDAS EMC Edition 2 {For further detail, see Section 3.1.14.6, beginning on page 298. }
192	2294856-2	1.0	Yes	DHCB, Board-Cover Asm EMC ED2 {For further detail, see Section 3.1.14.7, beginning on page 301. }
201	5126615	1.0	Yes	ASTEC Digital PS Assembly {For further detail, see Section 3.1.14.8, beginning on page 303. }
204	5126617	1.0	Yes	ASTEC Analog PS Assembly {For further detail, see Section 3.1.14.9, beginning on page 305. }
206	46-325136P1	4.0	Yes	CABLE CLAMP,RICHCO #UMS-16-45,.37 TO 1IN DIA.,RELEASABLE,MOUNTS WITH #8
302	2120104-2	2.0	Yes	PRESSURE PLATE FOR MOUNTING TUBE
312	2378668	2.0	Yes	P2033DT 78WEIGHT-L
313	2378669	4.0	Yes	P2033DU 78WEIGHT-M
314	2378670	3.0	Yes	P2033DV 78WEIGHT-S
328	46-328417P69	5.0	Yes	SCREW HEXAGON SOCKET 12 MM 80 MM

Table 4-104 SL Gantry Horizontal Assembly-16 slices, 6.3M Green Tube (5144701-6 BOM, rev 7) (Continued)

MARK	NUMBER	QTY	FRU	DESCRIPTION/NAME
331	46-328417P64	6.0	Yes	SCREW HEXAGON SOCKET 12 MM 30 MM
333	46-170260P2	0.0	Yes	LUBRICATING GREASE USED ON BEARINGS. LITHIUM BASED MINERAL OIL GREASE. BEIGE COLOR, 1 LB. CAN. EXTREME PRESSURE AND WATERPROOF FEAT URES. (DWG REV 4/92, JFK - OK).
335	46-208758P3	84.0	Yes	7.31~ X .184~ SELF-LOCKING CABLE TIE 1/16~ TO 1-3/4~ WIRE BUNDLE RANGE. 50LB TENSILE STRENGTH, NYLON MATR~L.
336	46-328425P13	5.0	Yes	NUT HEXAGON 12 MM
337	U0208AC	5.0	Yes	CLAMP TC-142 TAIRATSUPU KOTEI
341	2236649-2	28.0	Yes	WASHER, FLAT, ISO7089, M6, ST-HB200
342	U0213AC	8.0	Yes	DUO RING
351	2201185-3* 5128609-8	1.0	Yes	P9230TP HV CABLE CATHODE 2.3M HV CABLE
352	5128609* 5128609-7	1.0	Yes	HV CABLE Positioning HP60 HV CABLE
353	2368445* 5128609-9	1.0	Yes	P2053RJ HVCABLE HEMIT LONG HV CABLE
354	2368628	1.0	Yes	P2053RL HVDC MINUS
355	2368449	1.0	Yes	P2053RE HVDE
401	2342902-4	4.0	Yes	THREADED ROD M16, 320 LENGTH
403	2317865-2	3.0	Yes	SPACER,180 DEG,25.4MM
404	2342895-2	13.0	Yes	WEIGHT,180 DEG,6MM
405	2342895-3	3.0	Yes	WEIGHT,180 DEG,1.5MM
406	2317863	9.0	Yes	SHIM,180 DEG,3.2MM
407	2317994	3.0	Yes	WEIGHT,TRIM
421	U0027MC	1.0	Yes	CORE
422	U0030AC	2.0	Yes	CLAMP OR CLIP CLAMP

Note: *5128609-8 can replace 5128609-2/2201185-3 directly for RoHs requirement.

*5128609-7 can replace 5128609 and 2241313-2 directly.

*5128609-9 can replace 2368445 directly for RoHs requirement.

Table 4-104 SL Gantry Horizontal Assembly-16 slices, 6.3M Green Tube (5144701-6 BOM, rev 7) (Continued)

MARK	NUMBER	QTY	FRU	DESCRIPTION/NAME
423	U0032AC	6.0	Yes	CLAMP OLD CLAMP
425	2349589	1.0	Yes	850 MB H-POWER SLIPRING ASSEMBLY {For further detail, see Section 3.1.14.14, beginning on page 370. }
427	2286419	2.0	Yes	CAPACITOR, HV WITH RING TERMINALS
430	2348279	2.0	Yes	CABLE RETENTION BRACKET
432	2333293	1.0	Yes	BRACKET - RECEIVER MOUNT
433	2291717	2.0	Yes	THUMB SCREW, FLAT KNURLED M5
441	2395016	1.0	Yes	HARNESS, COLLIMATOR (GDAS)
442	2215315	1.0	Yes	DAS DCB TERMINATOR
443	2333306-2	1.0	Yes	harness, laser alignment lights, with ferrite
444	2394982-5	1.0	Yes	GDAS-16 Main Harness, With ASTEC PS's {For further detail, see Section 3.1.14.15, beginning on page 380. }
445	2368768	1.0	Yes	P2053RP JEDI POWER UNIT TO POWER INT
446	2368968	1.0	Yes	P2053RM POWER I/F BD TO JEDI FAN CAB LE
447	2377649	1.0	Yes	P2033TG CABLE, SIGNAL, DAS TO INVERT
449	2368769-2	1.0	Yes	P2053RQ JEDI TO ORP CAN CABLE ASSY Positioning HP60
450	2333308-2	1.0	Yes	cable, orp to slip ring comm, with ferrite
485	2363838-2	1.0	Yes	Harness, GDAS, Digital to DAS, ED.2 EMC
486	5124434	1.0	Yes	Cable, ASTEC Analog 5V To DAS
501	46-328417P35	2.0	Yes	SCREW HEXAGON SOCKET 16 MM 50 MM ZINC PLATED, STEEL
502	2236649-6	4.0	Yes	WASHER, FLAT, ISO7089,M16, ST-HB200
503	46-328432P5	4.0	Yes	WASHER LOCK - SPRING 16.2 MM 27.4 MM ZINC PLATED, SPRING STEEL
504	46-328425P4	4.0	Yes	NUT HEXAGON 16 MM
505	46-328420P1	2.0	Yes	SCREW BUTTON HEAD 4 MM 8 MM BLACK OXIDE, STEEL
506	46-328417P70	2.0	Yes	SCREW HEXAGON SOCKET 12 MM 100 MM
510	46-328431P2	7.0	Yes	WASHER PLAIN - LARGE 6.4 MM 18 MM ZINC PLATED, STEEL
511	46-328432P3	24.0	Yes	WASHER LOCK - SPRING 6.1 MM 11.8 MM ZINC PLATED, SPRING STEEL
512	46-328431P1	1.0	Yes	WASHER PLAIN - LARGE 4.3 MM 12 MM ZINC PLATED, STEEL

Table 4-104 SL Gantry Horizontal Assembly-16 slices, 6.3M Green Tube (5144701-6 BOM, rev 7) (Continued)

MARK	NUMBER	QTY	FRU	DESCRIPTION/NAME
513	2275713-8	12.0	Yes	WASHER, FLAT NON STD FOR M12 20 OD
514	46-328417P65	12.0	Yes	SCREW HEXAGON SOCKET 12 MM 35 MM
515	46-328417P13	4.0	Yes	SCREW HEXAGON SOCKET 6 MM 16 MM ZINC PLATED, STEEL
516	46-328417P14	4.0	Yes	SCREW HEXAGON SOCKET 6 MM 20 MM ZINC PLATED, STEEL
1	5144709	1.0	No	SL4 GANTRY FRAME HLA {For further detail, see Section 3.1.14.1, beginning on page 263. }
5	2121255-6	4.0	No	PINS ROUND PIN - 10MM DIA X 30MM LONG
6	2148597-4	1.0	No	ADJUSTER BLOCK
7	2148597-5	1.0	No	ADJUSTER BLOCK - H4 COLLIMATOR
18	2229774-2	2.0	No	INTERNAL LASER ASM H2
107	2349679	1.0	No	BRACKET, DIAL INDICATOR (H POWER)
134	46-328416P60	2.0	No	SCREW HEXAGON HEAD 3 MM 14 MM
137	2227383-3	1.0	No	HOME FLAG, PWB MTG, H4 GDAS GANTRY {For further detail, see Section 3.1.14.5, beginning on page 296. }
144	2360222-4	1.0	No	180 weight bracket, threaded
200	5128120	1.0	No	ASTECC Digital PS Mounting Asm.
202	2293442-4	1.0	No	BRACKET, DET. HTR. HARNESS, ASTEC P.S. GDAS
203	5128121	1.0	No	ASTECC Analog PS Mounting Asm.
205	2332018-4	1.0	No	BULKHEAD, DAS FAN HTR, GDAS
304	2371333-2	1.0	No	JEDI 60DC Generator {For further detail, see Section 3.1.14.10, beginning on page 307. }
305	5149730	1.0	No	SL4 EXTERNAL LASER ASM
306	2378655	1.0	No	P2033ED SAGITTAL LASER ASM HP60
307	2378657	1.0	No	P2033EG INTERNAL LASER ASM HP60
308	2378666	1.0	No	P2033DL POWER IF ASSY HP60 {For further detail, see Section 3.1.14.11, beginning on page 341. }
309	2370279	1.0	No	AUX-MNT
310	2370277	1.0	No	CABLE-GUIDE
311	2378667-4	1.0	No	P2033DP HEMIT MNT

Table 4-104 SL Gantry Horizontal Assembly-16 slices, 6.3M Green Tube (5144701-6 BOM, rev 7) (Continued)

MARK	NUMBER	QTY	FRU	DESCRIPTION/NAME
315	2397799	1.0	No	P2033DW 78WEIGHT HOOK
317	5111277	1.0	No	HP60 GANTRY CABLE-TOP-BRKT
318	5111278	1.0	No	HP60 GANTRY HV-TANK-WEIGHT
319	5111279	1.0	No	HP60 GANTRY JEDI-CABLE-DUCT
320	5111280	1.0	No	HP60 GANTRY JEDI-DUCT-COVER
322	2396108-2	1.0	No	HP60 GDAS WEIGHT BRKT
323	2396109	1.0	No	P2033CP HP60 CNTR WGT 1
324	2396110	1.0	No	P2033CQ HP60 CNT WGT 2
325	5111282-2	1.0	No	HP60 GANTRY WEIGHT-180BRKT-1-HP60G
327	5126559	3.0	No	STUD BOLT U0479AA
329	5128067	4.0	No	CAP SCREW U0480AA
400	2358133-4	1.0	No	DAS-DET PLATE ASM, 9.88 STEEL, GDAS, EMC Ed. 2 {For further detail, see Section 3.1.14.12, beginning on page 343. }
402	5113660-2	1.0	No	Spacer,180 weight stack,steel
408	5159042	1.0	No	SL4 ORP-ASM {For further detail, see Section 3.1.14.13, beginning on page 368. }
409	2348280	2.0	No	CABLE CLAMP
410	2121255-4	1.0	No	PINS ROUND PIN -10MM DIA X 25.4MM LG
411	2121255-5	1.0	No	PINS DIAMOND PIN -10MM DIA X 25,4MM LG
412	2386046	2.0	No	BRACKET, GDAS HARNESS RESTRAINT
413	2386046-2	1.0	No	GDAS bracket
415	2396998-2	1.0	No	HP60 GANTRY PLATE BRKT
416	2395130-2	1.0	No	HP60 GANTRY NOISE PRT PLT-GDAS
417	5111284	1.0	No	HP60 GANTRY PLT-GUARD-HP60G
418	5111285	1.0	No	HP60 GANTRY WEIGHT-RIGHT-HP60G
419	5111286	1.0	No	HP60 GANTRY WEIGHT-LEFT-HP60G
420	5111287	1.0	No	HP60 GANTRY WEIGHT-LEFT-BASE
424	2363500	2.0	No	ASSEMBLY, CORONAL LASER, HPOWER

Table 4-104 SL Gantry Horizontal Assembly-16 slices, 6.3M Green Tube (5144701-6 BOM, rev 7) (Continued)

MARK	NUMBER	QTY	FRU	DESCRIPTION/NAME
426	2284954	4.0	No	COVER, SLIPRING POWER TERMINAL
428	2287894	1.0	No	EMI FERRITE FOR CABLES 12MM X 25MM
429	2152834	1.0	No	BRACKET,550V CABLE SUPPORT
431	2269320-6	1.0	No	SUPPORT BASE FOR PLATTER SR BRUSHBLK
448	2275840-10	6.0	No	ground - braid - rotating base to generator_das base
461	5111283-2	1.0	No	HP60 GANTRY WEIGHT-180BRKT-2-HP60G
462	5159040	1.0	No	BS OPTICAL CABLE GUARD16
481	2386045	1.0	No	BRACKET, LT BACKPLANE STRAIN RELIEF
482	2386048	2.0	No	CENTER BACKPLANE CONNECTOR BRACKET
483	2386049	1.0	No	MULTI. CONNECTOR STRAIN RELIEF BRKT
484	5130042	1.0	No	Bracket, Analog PS Conn. Restraint
507	46-328417P73	1.0	No	SCREW HEXAGON SOCKET 3 MM 6 MM
517	2269013	4.0	No	RIBBED SPRING WASHER, ZINC PLATED INNER DIA. 6.4MM, OUTER DIA. 10MM

Table 4-104 SL Gantry Horizontal Assembly-16 slices, 6.3M Green Tube (5144701-6 BOM, rev 7) (Continued)

4.1.1.1 Performix Ultra Tube Unit with Mouting Assembly (Green) (D3185T)

FRU = YES

MARK	NUMBER	QTY	FRU	DESCRIPTION/NAME
2	2174382	0.0	Yes	SHIPPING BOX, GEMINI/PERFORMIX
3	46-310284G1	1.0	Yes	X-RAY TUBE FIELD STRAPPING KIT. TO INCLUDE 2X 14 INCH LONG, .50 INCH WIDE PLASTIC STRAPPING SIDNODE CORP. PART NUMBER 844, 2X 50SL BUCKLES SIDNODE PART NUMBER 472A, 1X ASSEMBLY PROCEDURE DRAWING AND 1X 9 INCH X 12 INCH PLASTI
5	2393720	1.0	Yes	SERVICE TAG
6	46-000030F3835	0.0	Yes	F3835 TUBE INSTALLATION LOG STICKER
7	2358145	1.0	Yes	~GOOD TO STOCK~ QUALITY SEAL
12	5144477	1.0	Yes	SHIPPING CONTAINER
16	2391264-4	1.0	Yes	LightSpeed Gantry Bolt Mounting Kit

Table 4-105 Performix Ultra Tube Unit with Mouting Assembly (Green) (D3185T BOM, rev 6)

MARK	NUMBER	QTY	FRU	DESCRIPTION/NAME
1	5111363-3	1.0	No	PERFORMIX LIGHTSPEED GREEN TUBE UNIT AND GANTRY MOUNTING BRACKET ASSEMBLY. {For further detail, see Section , beginning on page 430.}
4	5212338	1.0	No	China RoHS Hazardous Substance Table and Technical Explanation
11	5111157	2.0	No	wrap around weight label for D3185T gemini 2 TUBE UNIT. shipping box. 2.5 inches x 10 inches light blue background with black lettering.
17	5150645	1.0	No	Caution label for Performix shipping crates
18	5313553	1.0	No	MX200 Focal Spot Compliance Sheet

Table 4-105 Performix Ultra Tube Unit with Mouting Assembly (Green) (D3185T BOM, rev 6) (Continued)

Performix LightSpeed Green Tube Unit and Gantry Mounting Bracket Assembly (5111363-3)

FRU = NO (see [Figure Figure 4-68, beginning on page 276.](#))

MARK	NUMBER	QTY	FRU	DESCRIPTION/NAME
1	2137130-10	1.0	No	Green Performix with extruded casing and barrel nuts
2	2128696	1.0	No	TUBE PLATE ASSY, HELIOS COLLIMATOR, GEMINI XRT
3	5136529	1.0	No	Performix Tube Barrel Nut Mounting Hardware Kit
4	5112609	2.0	No	performix mounting plate removal warning label

Table 4-106 Performix LightSpeed Green Tube Unit and Gantry Mounting Bracket Assembly (5111363-3 BOM, rev 5)

Section 5.0 — Helios Phantoms Collector (2180544)

FRU = NO

MARK	NUMBER	QTY	FRU	DESCRIPTION/NAME
	5215028	1.0	Yes	Helios QA Phantom, Tested, FRU Only
2	2144721	1.0	Yes	HELIOS IQ CAL 35 POLY
4	2144721-2	1.0	Yes	HELIOS IQ CAL 48 POLY
3	2144715	1.0	No	HELIOS_QA PHANTOM

Figure 4-131 Helios Phantoms Collector (2180544 BOM, rev 1)

