

Chapter 2

Table

FRU = NO

MARK	NUMBER	QTY	FRU	DESCRIPTION/NAME
2	46-303268P1	1.0	Yes	PRODUCT LOCATOR CARD FORM FOR RATING PLATES, PRINTED BY DUPLITECH
1	5134845-10	1.0	No	GT1700V TABLE ASSY {For further detail, see Section 1.0, beginning on page 38. }
3	5138509-10	1.0	No	SHIP COLLECTOR GT MID SIMPLIFIED {For further detail, see Section 2.0, beginning on page 111. }

Table 2-1 GT1700V TOP ASSY (5122080-10 BOM, rev 5)

Section 1.0 — GT1700V Table Assembly (5134845-10)

FRU = NO

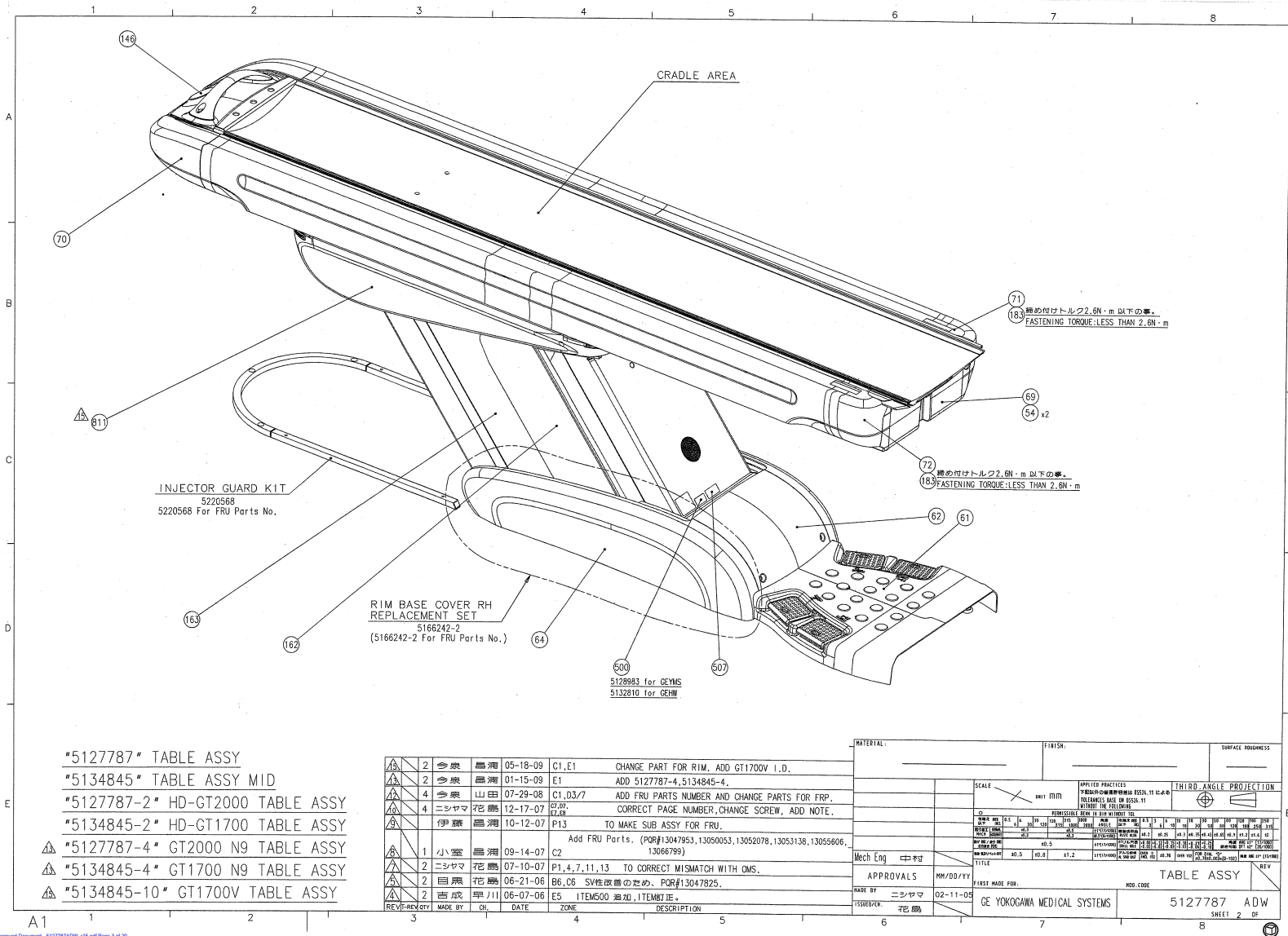


Figure 2-1 GT1700V Table Assembly (5127787ADW, sheet 2, rev 15)

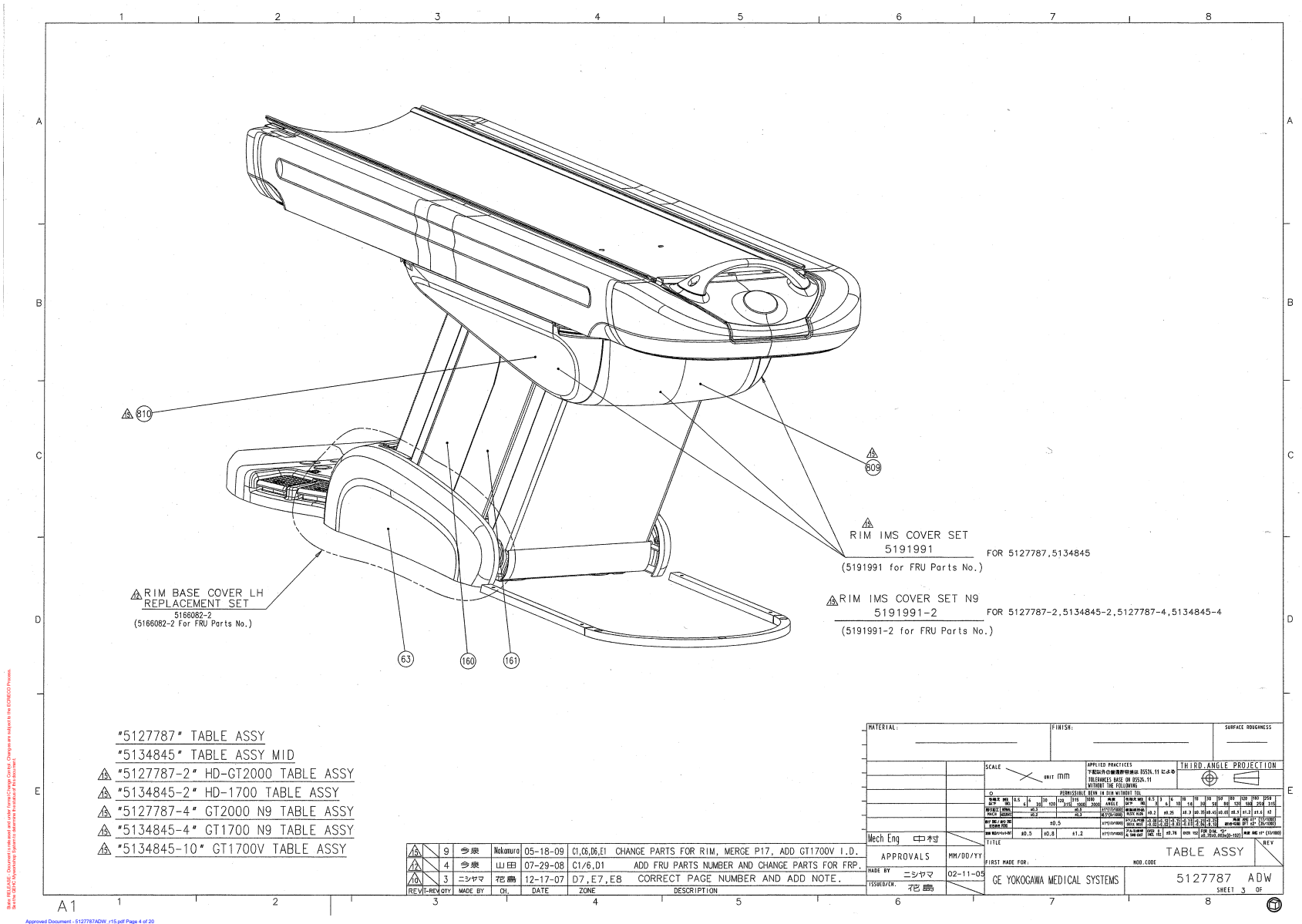


Figure 2-2 GT1700V Table Assembly (5127787ADW, sheet 3, rev 15)

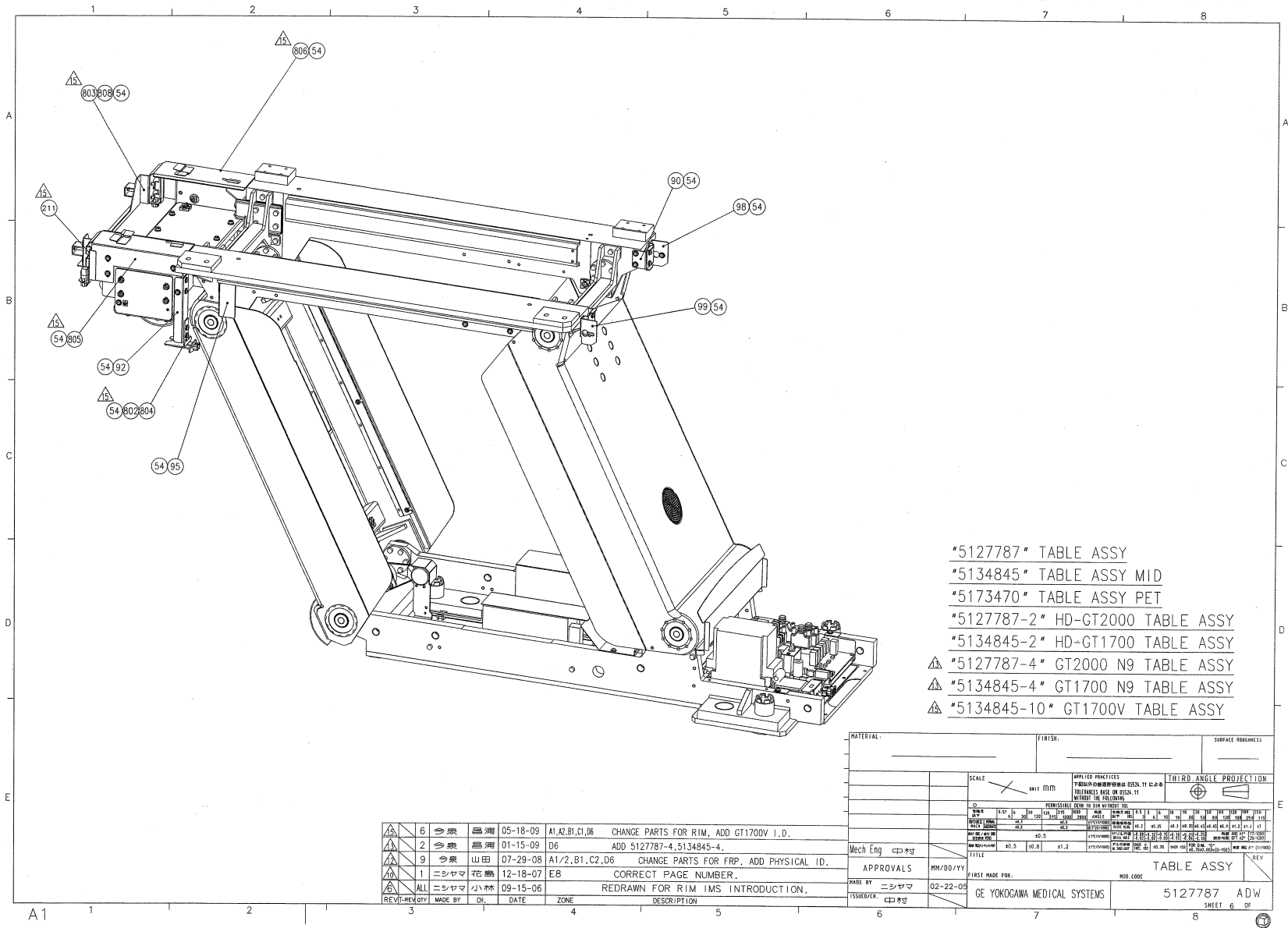


Figure 2-3 GT1700V Table Assembly (5127787ADW, sheet 6, rev 15)

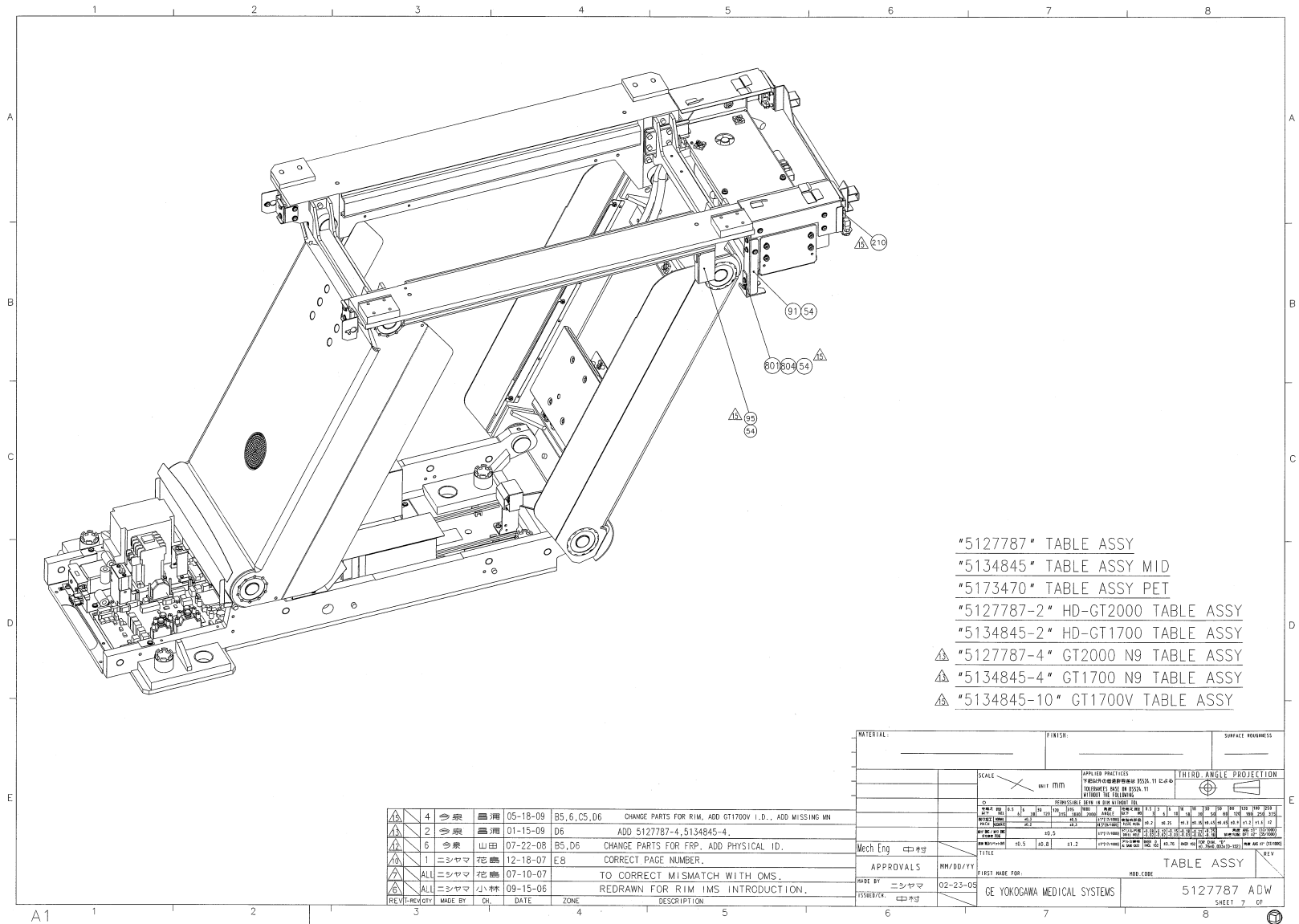


Figure 2-4 GT1700V Table Assembly (5127787ADW, sheet 7, rev 15)

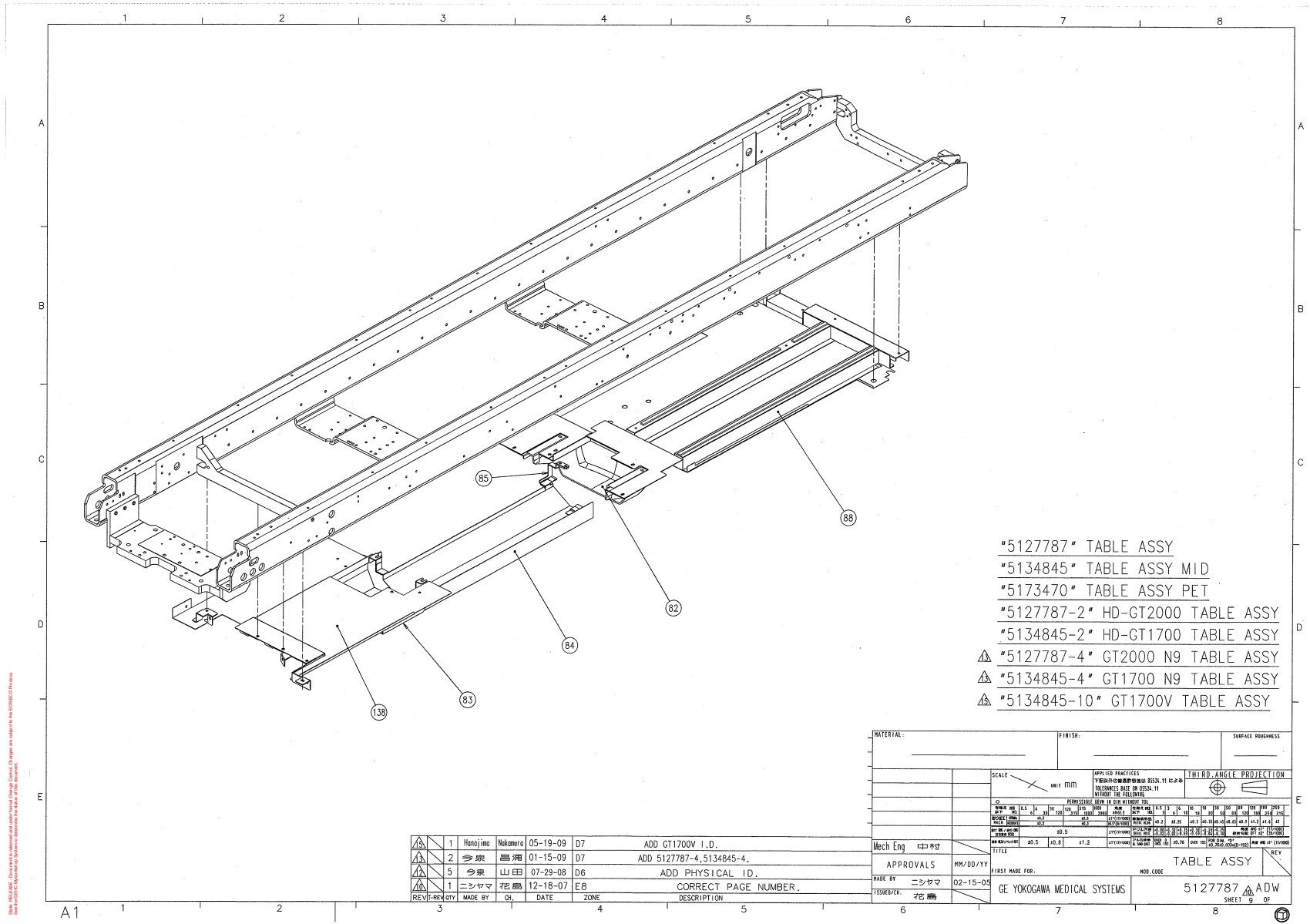


Figure 2-5 GT1700V Table Assembly (5127787ADW, sheet 9, rev 15)

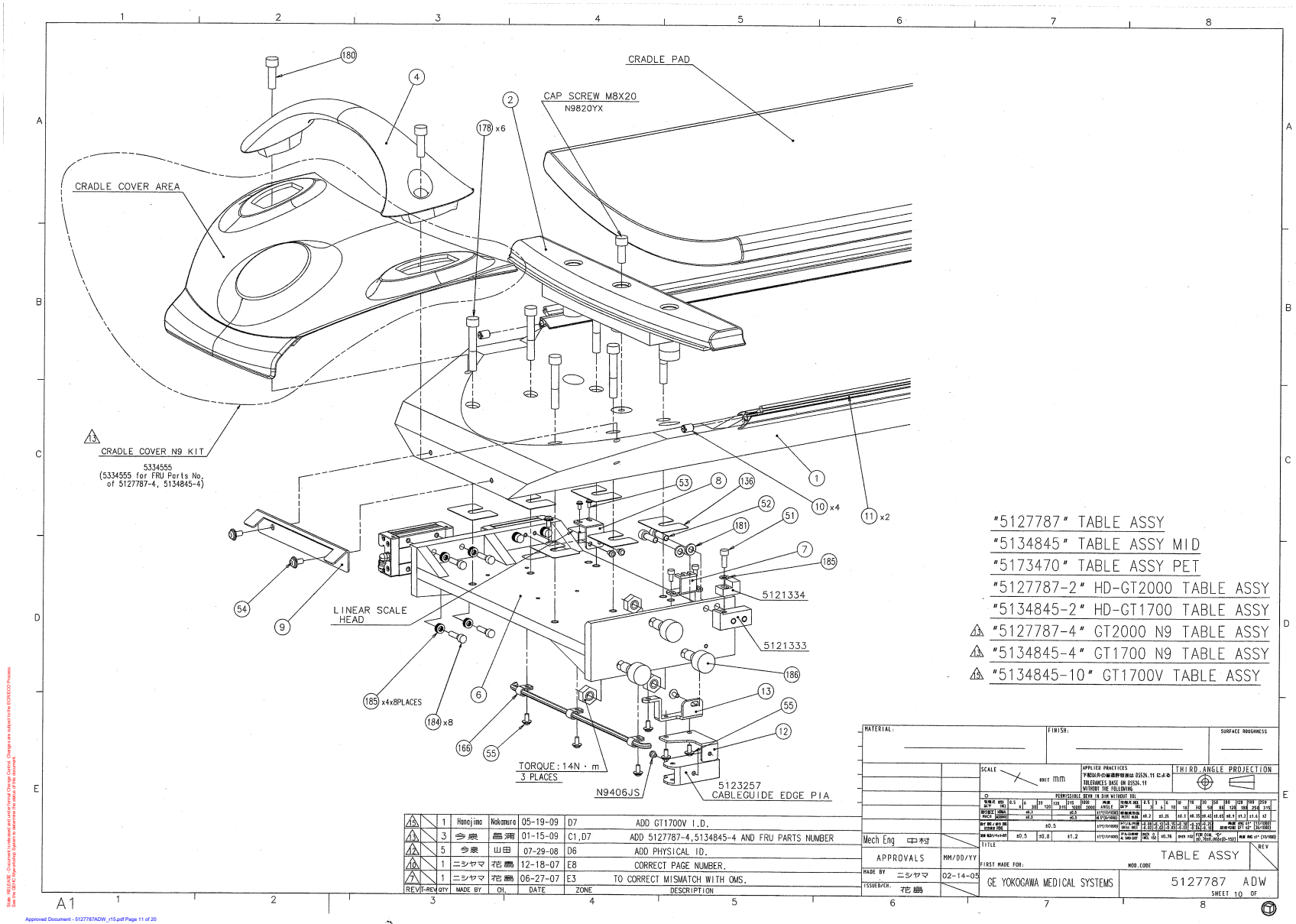


Figure 2-6 GT1700V Table Assembly (5127787ADW, sheet 10, rev 15)

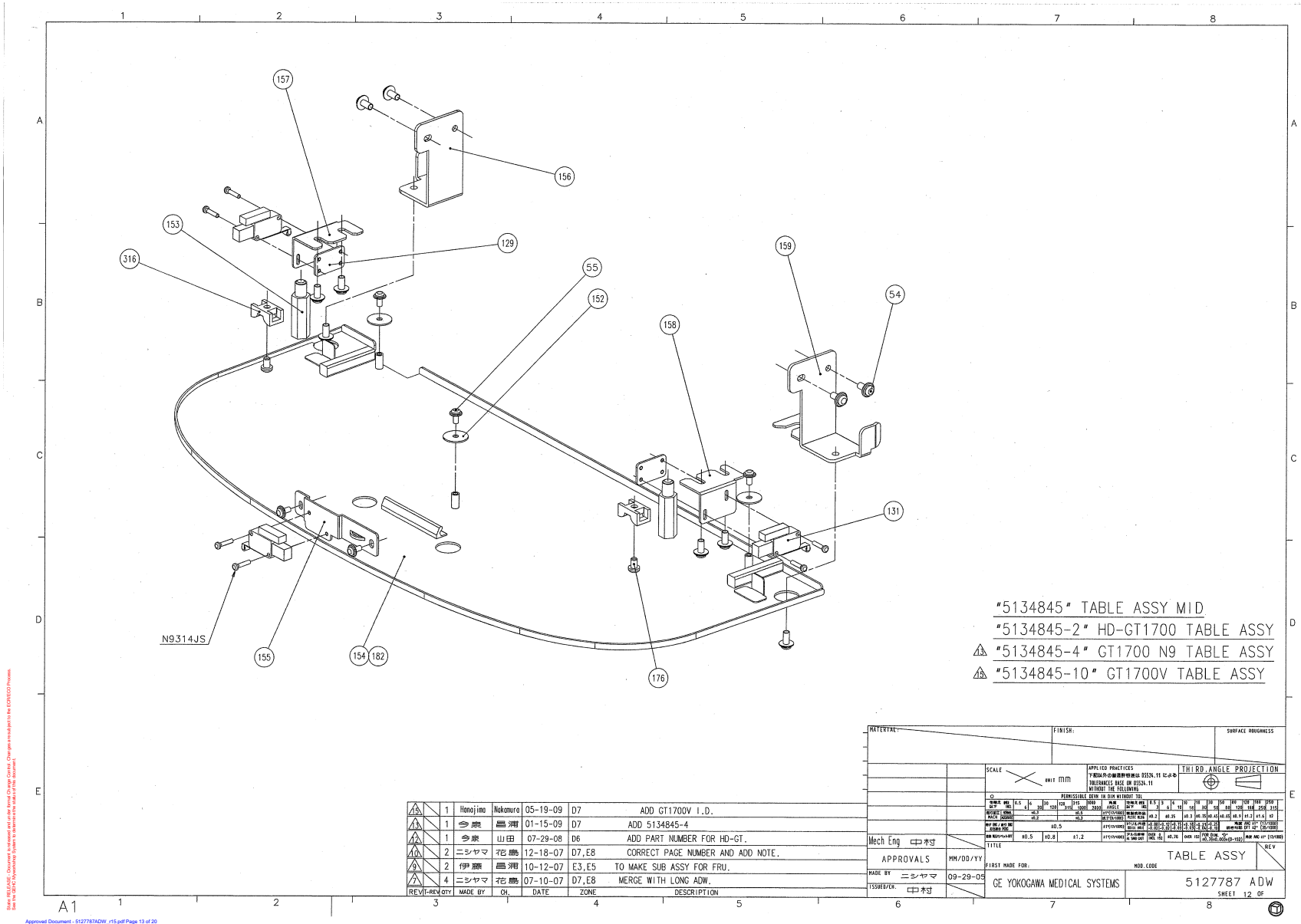


Figure 2-7 GT1700V Table Assembly (5127787ADW, sheet 12, rev 15)

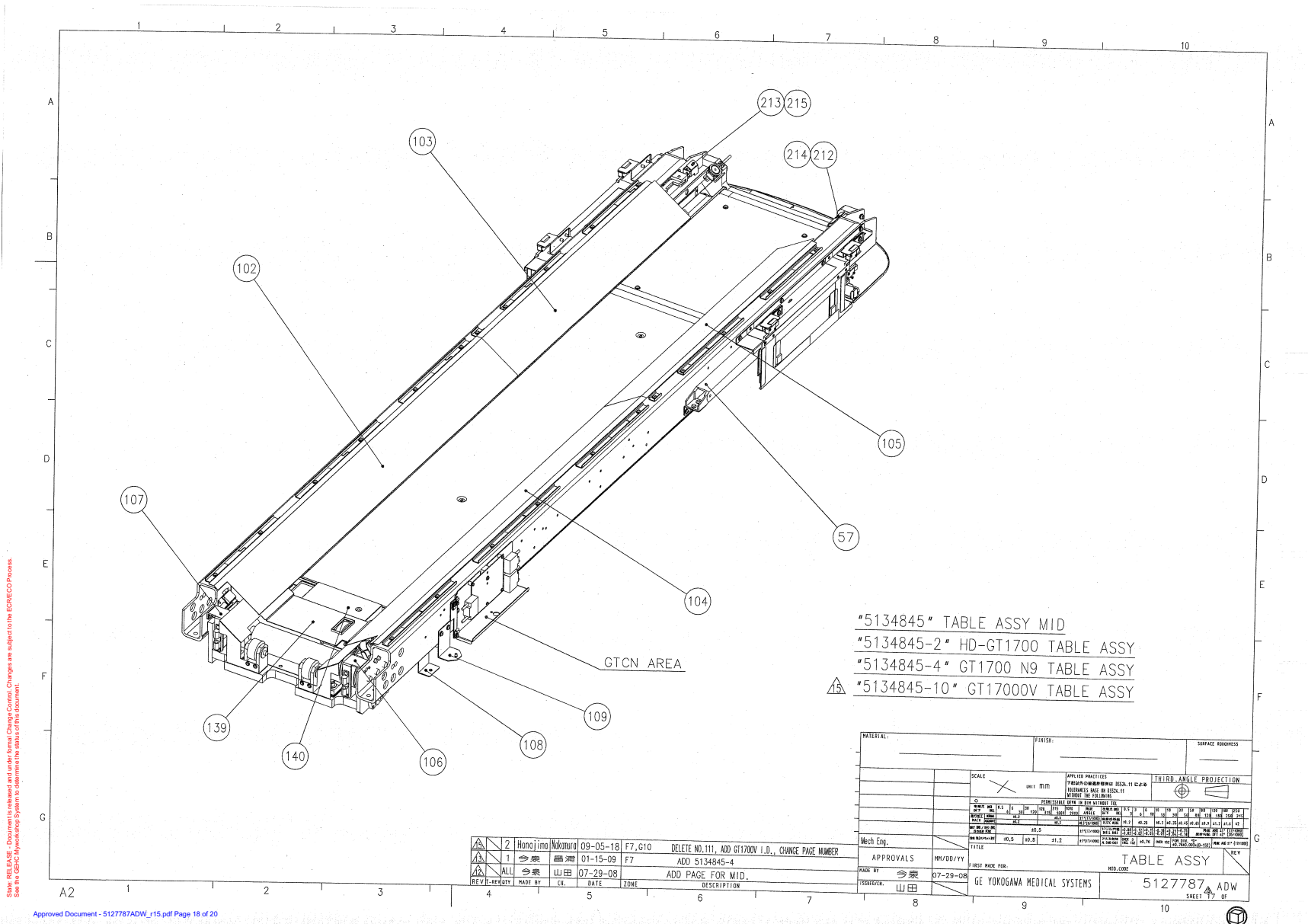


Figure 2-8 GT1700V Table Assembly (5127787ADW, sheet 17, rev 15)

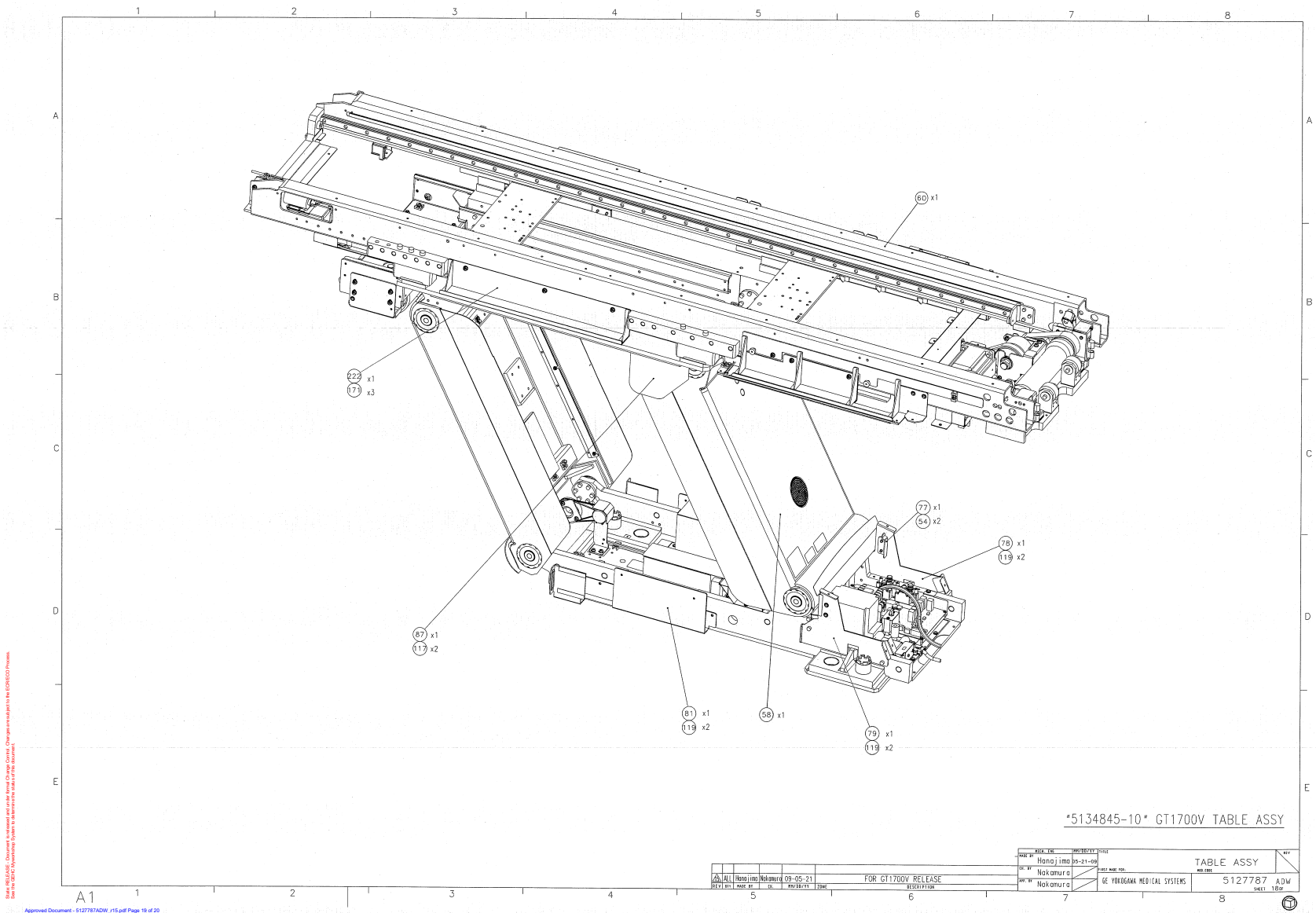


Figure 2-9 GT1700V Table Assembly (5127787ADW, sheet 18, rev 15)

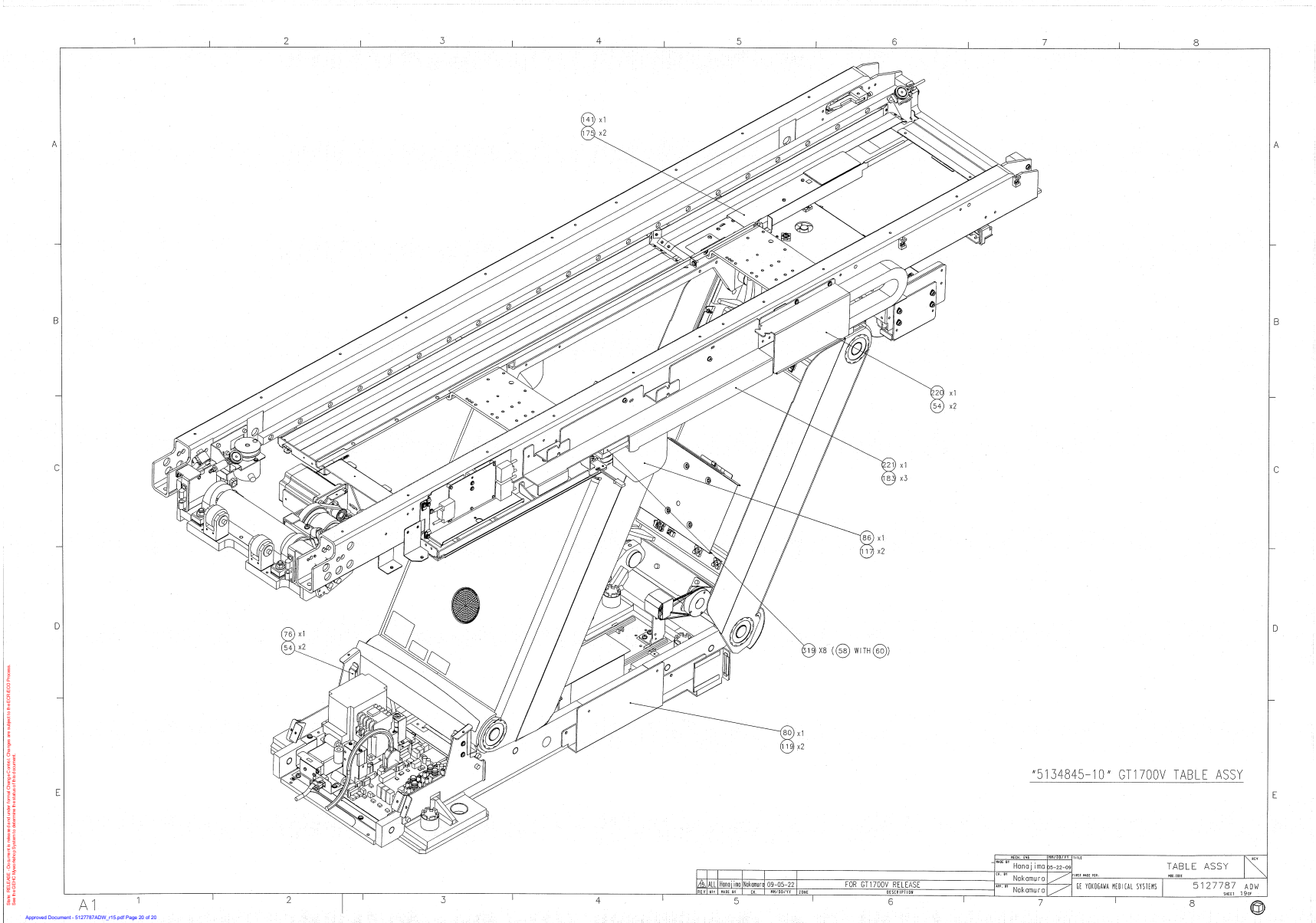


Figure 2-10 GT1700V Table Assembly (5127787ADW, sheet 19, rev 15)

MARK	NUMBER	QTY	FRU	DESCRIPTION/NAME
	5133506-2	1.0	Yes	TOP SIDE COVER R 1700 ASSY Positioning GT
	5133507-2	1.0	Yes	TOP SIDE COVER L 1700 ASSY Positioning GT
	5138908	1.0	Yes	TABLE SUPPORT JIG ASSY
	5166082-2	1.0	Yes	RIM BASE COVER LH REPLACEMENT SET positioning GT
	5166242-2	1.0	Yes	RIM BASE COVER RH REPLACEMENT SET positioning GT
	5220568	1.0	Yes	INJECTOR GUARD KIT Positioning GT
1	5173055	1.0	Yes	CRADLE MID ASSY Positioning GT
10	5123613	4.0	Yes	PLASTIC SET SCREW Positioning GT
11	5133822-2	2.0	Yes	ATTACHMENT RAIL MID 6 positioning GT
25	5117286	1.0	Yes	GTCN J7 TO J221 Positioning GT
26	5114080	1.0	Yes	PE Positioning GT
27	5114118-2	1.0	Yes	GTCBJ3 TO J104 POSITIONING GT
28	5114120	1.0	Yes	GTCBJ10 TO SPEAKER Positioning GT
29	5114122	1.0	Yes	GTCBJ11 TO J200 Positioning GT
30	5114124	1.0	Yes	GTCBJ12 TO J201 Positioning GT
32	5114126	1.0	Yes	GTCBJ5 TO CRADLEDRIVER Positioning GT
33	5114128	1.0	Yes	CRADLEDRIVER TO J204
35	5114135	1.0	Yes	GTCN TO J207 Positioning GT
37	5114148	1.0	Yes	GTCN TO LINERSCALE Positioning GT
38	5118961	1.0	Yes	LIMIT SW CABLE Positioning GT
39	5119130	1.0	Yes	J102 TO J112 Positioning GT
40	5120569	2.0	Yes	4PIN470DUM Positioning GT
42	5120572	1.0	Yes	9PIN470DUM Positioning GT
43	5120574	1.0	Yes	TS_TOP_FRONT Positioning GT
47	5120773-2	1.0	Yes	GTCB TO GTTS Cable For EMC Positioning GT
50	N9408ZX	4.0	Yes	SCREW HEXAGON SOCKET 4 MM 8 MM CAP SCREW 4X8 FE
52	N9620YX	2.0	Yes	SCREW HEXAGON SOCKET 6 MM 20 MM CAP SCREW 6X20 FE

Table 2-2 GT1700V Table Assembly (5134845-10 BOM, rev 2)

MARK	NUMBER	QTY	FRU	DESCRIPTION/NAME
54	N9510HR	166.0	Yes	SCREW TP
55	N9408HR	5.0	Yes	SCREW TP
57	5127780-3	1.0	Yes	IMS CABLE BEAR ASSY positioning KITTYHAWK
62	5127458-2	1.0	Yes	BASE COVER CTR ASSY positioning GT
69	5127465-3	1.0	Yes	RIM TOP COVER FRONT ASSY positioning GT {For further detail, see Section 1.4, beginning on page 88. }
70	5133505	1.0	Yes	TOP COVER REAR-1700 ASSY positioning GT {For further detail, see Section 1.5, beginning on page 90. }
86	5113088	1.0	Yes	COVER-PLATE-L positioning GT
87	5113091	1.0	Yes	COVER-PLATE-R positioning GT
102	5130897	1.0	Yes	TOP SIDE BRKT RF-2 positioning GT
103	5129667	1.0	Yes	TOP SIDE BRKT RR MID positioning GT
104	5130899	1.0	Yes	TOP SIDE BRKT LF-2 positioning GT
105	5129668	1.0	Yes	TOP SIDE BRKT LR MID positioning GT
109	5113617	1.0	Yes	TOP COVER SIDE BRKT 11 positioning GT
119	N9612YX	16.0	Yes	SCREW HEXAGON SOCKET 6 MM 12 MM CAP SCREW 6X12 FE
131	5125112	1.0	Yes	GT REAR TOUCH SWITCH CABLE Positioning GT
146	5219979	1.0	Yes	CRADLE COVER ASSY WITH LOGO LABEL Positioning GT of FRU
148	U0442BA	10.0	Yes	TUBE 3X0.25 BLACK
149	U0030AC	4.0	Yes	CLAMP OR CLIP CLAMP
150	U0031AC	12.0	Yes	CLAMP
151	U0032AC	2.0	Yes	CLAMP OLD CLAMP
154	5191755	1.0	Yes	TOUCH PLATE REAR ASSY
160	5130814	1.0	Yes	SIDE-PANEL-FRONT-LEFT-ASSY, Positioning, GT {For further detail, see Section 1.8, beginning on page 96. }
161	5130815	1.0	Yes	SIDE-PANEL-REAR-LEFT-ASSY, Positioning, GT {For further detail, see Section 1.9, beginning on page 98. }
162	5130816	1.0	Yes	SIDE-PANEL-FRONT-RIGHT-ASSY, Positioning, GT {For further detail, see Section 1.10, beginning on page 100. }

Table 2-2 GT1700V Table Assembly (5134845-10 BOM, rev 2) (Continued)

MARK	NUMBER	QTY	FRU	DESCRIPTION/NAME
163	5130817	1.0	Yes	SIDE-PANEL-REAR-RIGHT-ASSY, Positioning, GT {For further detail, see Section 1.11 , beginning on page 102.}
164	U0034BA	150.0	Yes	TAPE #5421 16Mug
165	U0047BA	80.0	Yes	TAPE
166	U0001AC	4.0	Yes	CLAMP NK-4N CLAMP
176	N9508JS	21.0	Yes	SCREW NABE 5X8 FE ZN
180	N9825YX	2.0	Yes	SCREW CAP SCREW 8X25 Fe
181	N9601WS	4.0	Yes	WASHER PLAIN - LARGE 6.4 MM 12.5 MM WASHER 6.4X12.5X1.6FEZN
182	5126552	1.0	Yes	GND WIRE COVER Positioning GT
184	N9520ZX	8.0	Yes	SCREW HEXAGON SOCKET 5 MM 20 MM CAP SCREW 5X20 FE
185	N9501WS	36.0	Yes	WASHER PLAIN - LARGE 5.3 MM 10 MM WASHER M5
224	5333877	1.0	Yes	RIGHT SIDE TS CABLE Positioning GT 1700 V
225	5333879	1.0	Yes	LEFT SIDE TS CABLE Positioning GT 1700 V
302	U0405BD	0.313	Yes	ADHESIVE Yhjbn 271(af)
304	2221887	0.00625	Yes	U0427BD ADHESIVE
307	N9306ES	21.0	Yes	SCREW COUNTERSUNK HEA 3 MM 6 MM
308	N9306ZX	3.0	Yes	SCREW HEXAGON SOCKET 3 MM 6 MM CAP SCREW 3X6 FE
309	N9408JS	35.0	Yes	SCREW NABE 4X8 Fe Zn
310	N9414JS	2.0	Yes	SCREW PAN HEAD 4 MM 14 MM SCREW osX 4X14 FE ZN
311	N9510JS	8.0	Yes	SCREW NABE 5X10 Fe Zn
313	U0201AC	5.0	Yes	CLAMP CV_100
314	U0202AC	26.0	Yes	CLAMP CV_150
315	U0203AC	29.0	Yes	CLAMP CV_200
316	U0208AC	3.0	Yes	CLAMP TC-142 TAIRATSUPU KOTEI
317	U0212AC	23.0	Yes	CLAMP TMS_20
324	U0506AC	45.0	Yes	PROTECTOR EDGING CE-012
325	U0509AC	0.35	Yes	PROTECTOR CE_032
809	5142244	1.0	Yes	IMS-COVER-CTR-RIM positioning GT

Table 2-2 GT1700V Table Assembly (5134845-10 BOM, rev 2) (Continued)

MARK	NUMBER	QTY	FRU	DESCRIPTION/NAME
810	5191722-10	1.0	Yes	RIM IMS COVER SIDE LH ASSY positioning GMV {For further detail, see Section 1.12, beginning on page 104. }
811	5191736-10	1.0	Yes	RIM IMS COVER SIDE RH ASSY positioning GMV {For further detail, see Section 1.13, beginning on page 108. }
2	5112083-3	1.0	No	CRADLE ATT BASE Positioning GT
4	5120588	1.0	No	cradle handle positioning GT
6	5129836	1.0	No	CRADLE-CARRIAGE-1700 positioning GT
7	5112420	1.0	No	CARRIAGE WIRE HOLDER Positioning GT
8	5112424	1.0	No	CARRIAGE SENSOR SUP Positioning GT
9	5121378	1.0	No	CRADLE COVER BRKT positioning GT
12	5129840	1.0	No	CARRIAGE-CABLE-DUCT-SUP-MID positioning GT
51	N9514ZX	13.0	No	SCREW HEXAGON SOCKET 5 MM 14 MM
56	N9510ES	4.0	No	SCREW COUNTERSUNK HEA 5 MM 10 MM SCREW s[5X10 FE ZN
58	5174223-10	1.0	No	IMSLESS-GT ELEVATION ASSY {For further detail, see Section 1.1, beginning on page 55. }
60	5133502-10	1.0	No	GT1700V TOP FRAME ASSY {For further detail, see Section 1.2, beginning on page 66. }
61	5126796-3	1.0	No	FOOT SW ASSY Positioning GT {For further detail, see Section 1.3, beginning on page 84. }
63	5154867-2	1.0	No	RIM BASE COVER LH ASSY positioning GT
64	5155337-2	1.0	No	RIM BASE COVER RH ASSY positioning GT
71	5133507-10	1.0	No	TOP SIDE COVER L-1700 ASSY positioning GMV {For further detail, see Section 1.6, beginning on page 92. }
72	5133506-10	1.0	No	TOP SIDE COVER R-1700 ASSY positioning GMV {For further detail, see Section 1.7, beginning on page 94. }
76	5113566	1.0	No	BASE BRKT 2R positioning GT
77	5113567	1.0	No	BASE BRKT 2L positioning GT
78	5113573	1.0	No	BRKT BASE FRAME L positioning GT
79	5113574	1.0	No	BRKT BASE FRAME R positioning GT
80	5159250	1.0	No	SIDE PANEL LWR BRKT L COMMON positioning GT

Table 2-2 GT1700V Table Assembly (5134845-10 BOM, rev 2) (Continued)

MARK	NUMBER	QTY	FRU	DESCRIPTION/NAME
81	5159249	1.0	No	SIDE PANEL LWR BRKT R COMMON positioning GT
88	5132406	1.0	No	IMS D COVER MID REAR Postioning GT
90	5136785	2.0	No	IMS COVER BRKT 18 positioning GT
91	5113591	1.0	No	IMS COVER BRKT 13L positioning GT
92	5113592	1.0	No	IMS COVER BRKT 13R positioning GT
95	5113596	2.0	No	IMS COVER BRKT 3 positioning GT
98	5136786	1.0	No	IMS COVER BRKT 19L positioning GT
99	5136787	1.0	No	IMS COVER BRKT 19R positioning GT
106	5113610	1.0	No	TOP FRONT BRKT 2L positioning GT
107	5113611	1.0	No	TOP FRONT BRKT 2R positioning GT
108	5113612	1.0	No	TOP FRONT BRKT 3 positioning GT
114	N9408ES	4.0	No	SCREW COUNTERSUNK HEA 4 MM 8 MM
117	N9512LK	8.0	No	SCREW BIND UTIBATUKI 5X12 BsNi
129	5119697	2.0	No	NUT-PLATE LS positioning GT
136	5127957	12.0	No	CARRIAGE SHIM02 Positioning GT
138	5132405	1.0	No	IMS D COVER 1700 FRONT Positioning GT
139	5129853	1.0	No	TRAY-F-MID positioning GT
140	5129854	1.0	No	TRAY-M positioning GT
141	5127761	1.0	No	AMP-COVER positioning GT
145	U0200AK	0.215	No	FMI GASKET
152	5130902	3.0	No	WASHER positioning GT
153	5134650	2.0	No	STUD M8x36
155	5129674	1.0	No	REAR SW BRKT-2 positioning GT
156	5176626	1.0	No	REAR SW BRKT 104 positioning GT
157	5180589	1.0	No	REAR SW BRKT 1700 5L
158	5130900	1.0	No	REAR SW BRKT-4R positioning GT
159	5132685	1.0	No	REAR SW BRKT-101 positioning GT
171	2262896	10.0	No	U0465AA FLANGE SOCKET

Table 2-2 GT1700V Table Assembly (5134845-10 BOM, rev 2) (Continued)

MARK	NUMBER	QTY	FRU	DESCRIPTION/NAME
175	N9430JS	2.0	No	SCREW PAN HEAD 4 MM 30 MM SCREW osX 4X30 FE ZN
177	N9801BS	4.0	No	NUT HEXAGON 8 MM FE ZN
178	N9850YX	6.0	No	SCREW HEXAGON SOCKET 8 MM 50 MM CAP SCREW 8X50 FE
179	U0241AA	10.0	No	NUT HEXAGON 4 MM NUT
183	2299437	36.0	No	U0472AA_FLANGE_SOCKET
186	5121904	3.0	No	CAM FOLLOWER BEARING U0443AH
187	U0242AA	3.0	No	NUT HEXAGON 5 MM
189	N9308ES	1.0	No	SCREW 3X8 SARA FE ZN
190	N9406ES	5.0	No	SCREW SARA 4X6 Fe Zn
191	5125773	3.0	No	FLANGE NUT U0276AA
210	5139862	1.0	No	IMS-COVER-BRKT-24L positioning GT
211	5139863	1.0	No	IMS-COVER-BRKT-24R positioning GT
212	5151800	1.0	No	TOP REAR BRKT COMMON 6L Positioning GT
213	5151801	1.0	No	TOP REAR BRKT COMMON 6R Positioning GT
214	5151802	1.0	No	TOP REAR BRKT COMMON 7L Positioning GT
215	5151803	1.0	No	TOP REAR BRKT COMMON 7R Positioning GT
220	5193997	1.0	No	RIM TOP SIDE SUPPORT L1 positioning GT
221	5193998-3	1.0	No	RIM TOP SIDE SUPPORT L2 Positioning GT
222	5331271	1.0	No	TOP SIDE CVR R1700 SUPPORT positioning GMV
300	5160028	0.0025	No	LUBRI PLATE,U0304BD
301	U0303BD	6.25	No	MORICORT M-77 PASTE
303	U0409BD	0.313	No	ADHESIVE Yhbn #601
305	U0046BA	180.0	No	TAPE
306	5160029	0.00625	No	KURE CRC,U0305BD
319	N9540ZX	8.0	No	SCREW HEXAGON SOCKET 5 MM 40 MM
500	5132810	1.0	No	ETL Label Component CT Beijing
502	5129157	1.0	No	PLACE LABEL Potisioning GT
506	U0036BN	12.0	No	NAME PLATE

Table 2-2 GT1700V Table Assembly (5134845-10 BOM, rev 2) (Continued)

MARK	NUMBER	QTY	FRU	DESCRIPTION/NAME
507	5139485	1.0	No	WEEE LABEL WITH BIN ONLY
801	5142259	1.0	No	IMS COVER BRKT 31L positioning GT
802	5142261	1.0	No	IMS COVER BRKT 31R positioning GT
803	5142269	1.0	No	IMS COVER BRKT 33 positioning GT
804	5175971	2.0	No	PLATE NUT Positioning GT
805	5175384	1.0	No	IMS COVER BRKT 33R Positioning GT
806	5175137	1.0	No	IMS COVER BRKT 33L Positioning GT

Table 2-2 GT1700V Table Assembly (5134845-10 BOM, rev 2) (Continued)

1.1 IMSLESS-GT Elevation Assembly (5174223-10)

FRU = NO

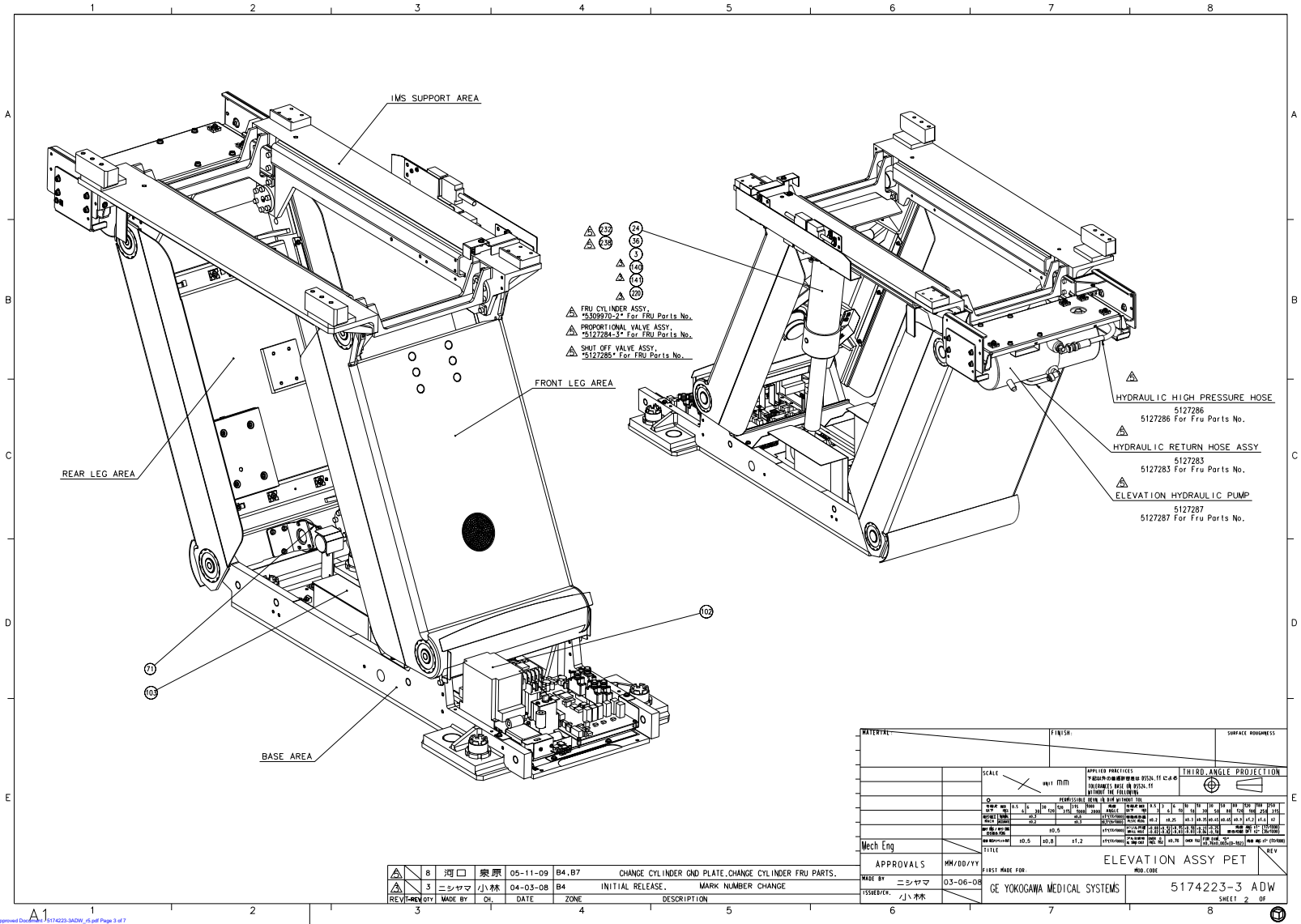


Figure 2-11 IMSLESS-GT Elevation Assembly (5174223-3ADW, sheet 2, rev 5)

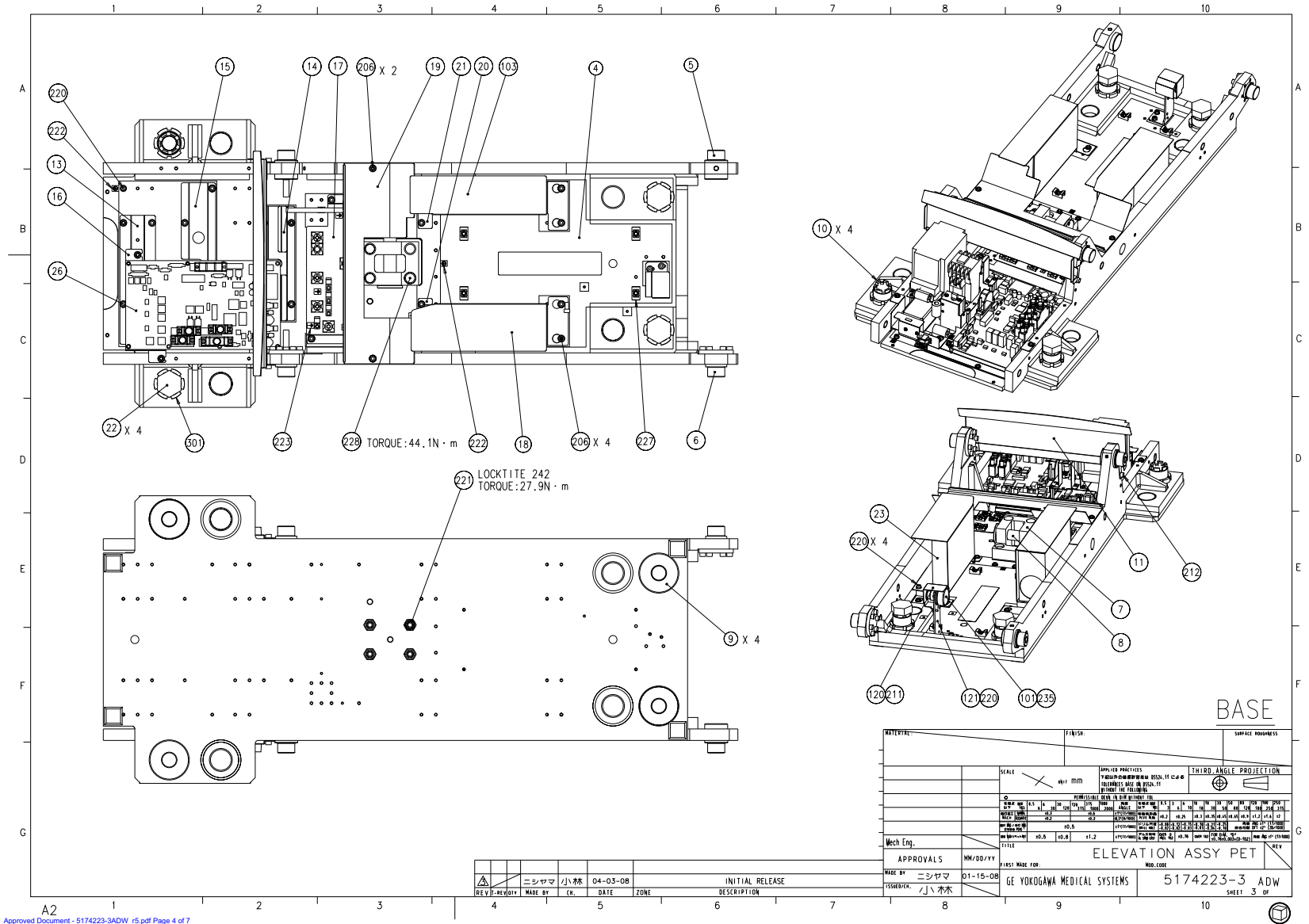


Figure 2-12 IMSLESS-GT Elevation Assembly (5174223-3ADW, sheet 3, rev 5)

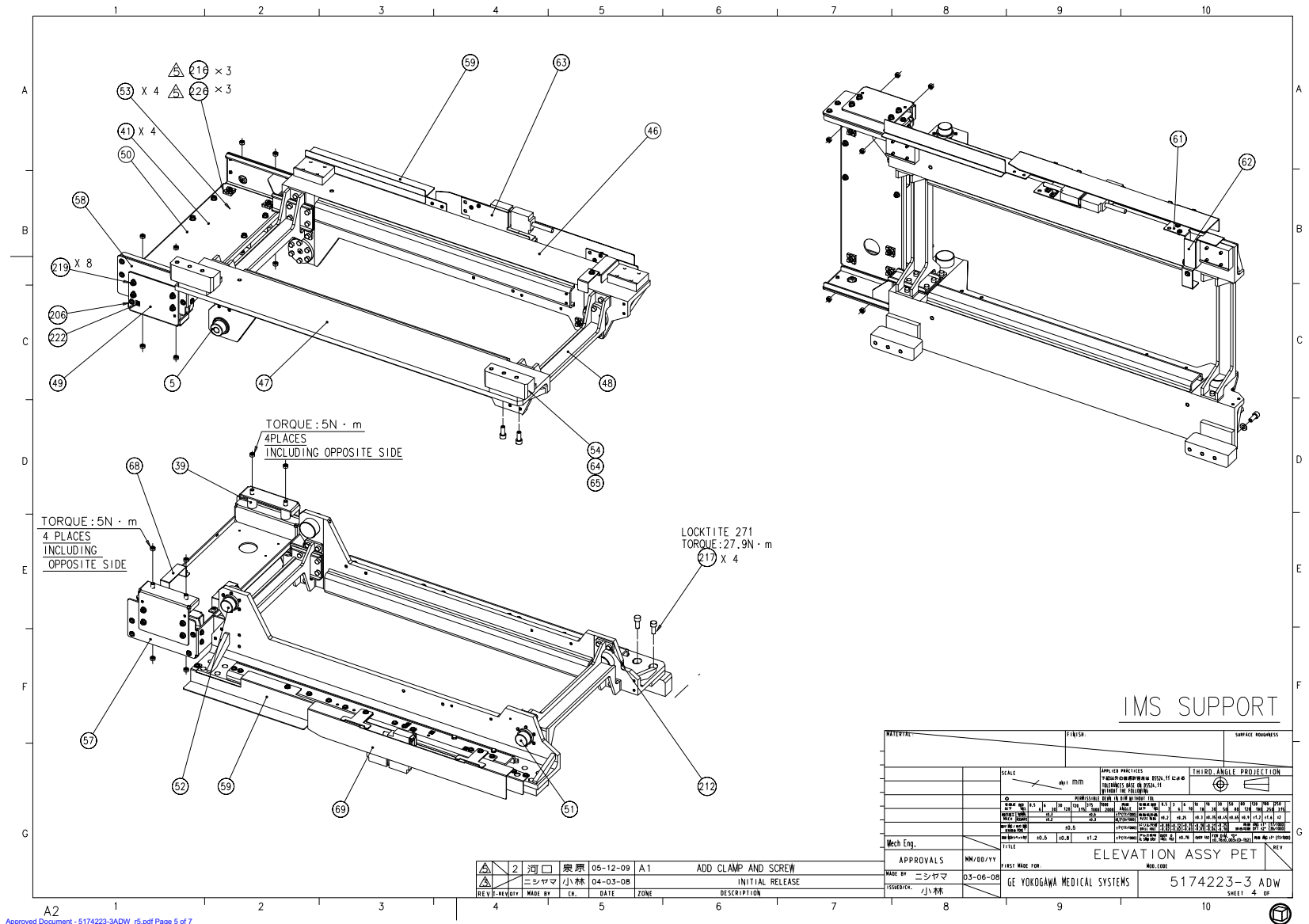


Figure 2-13 IMSLESS-GT Elevation Assembly (5174223-3ADW, sheet 4, rev 5)

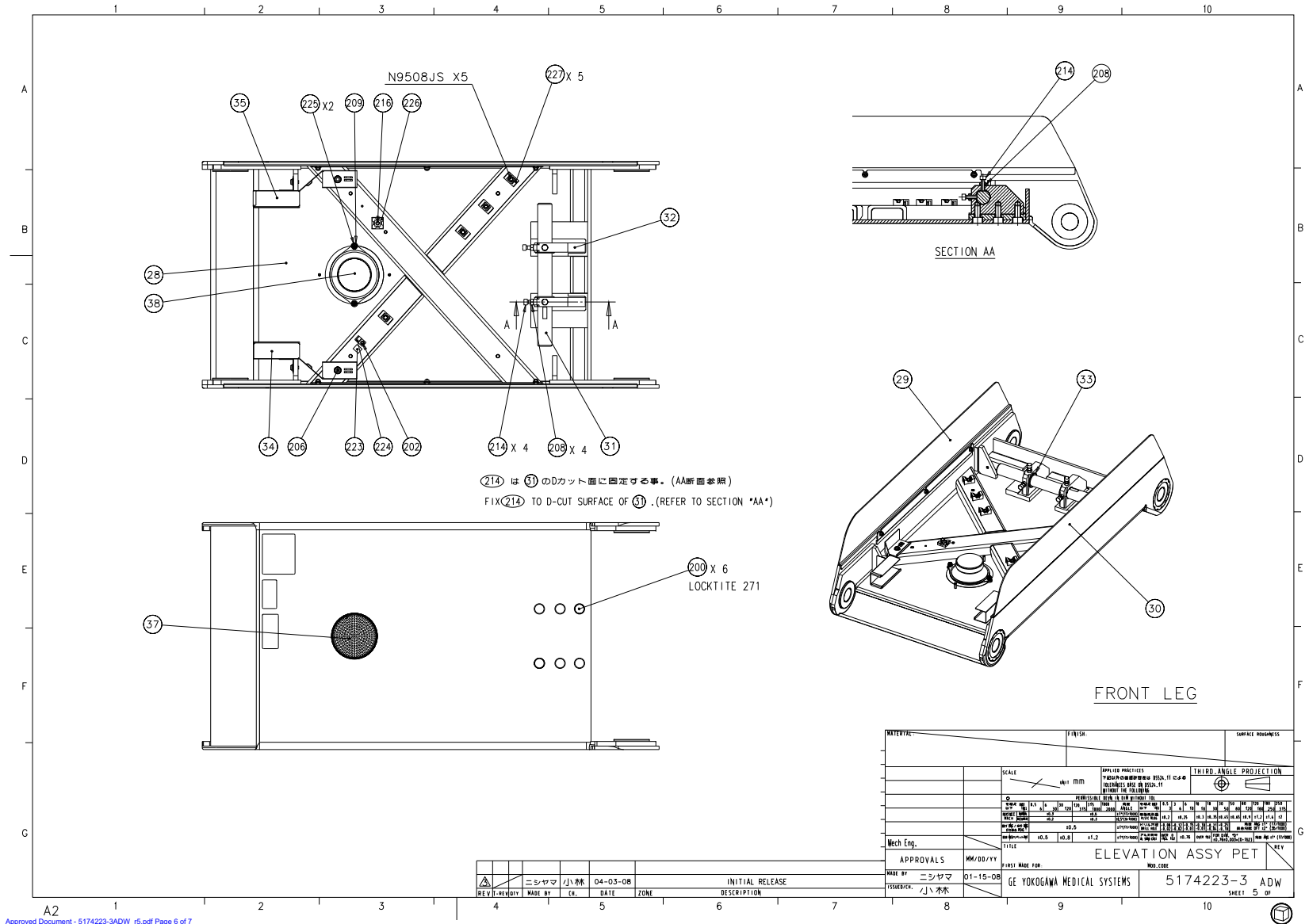
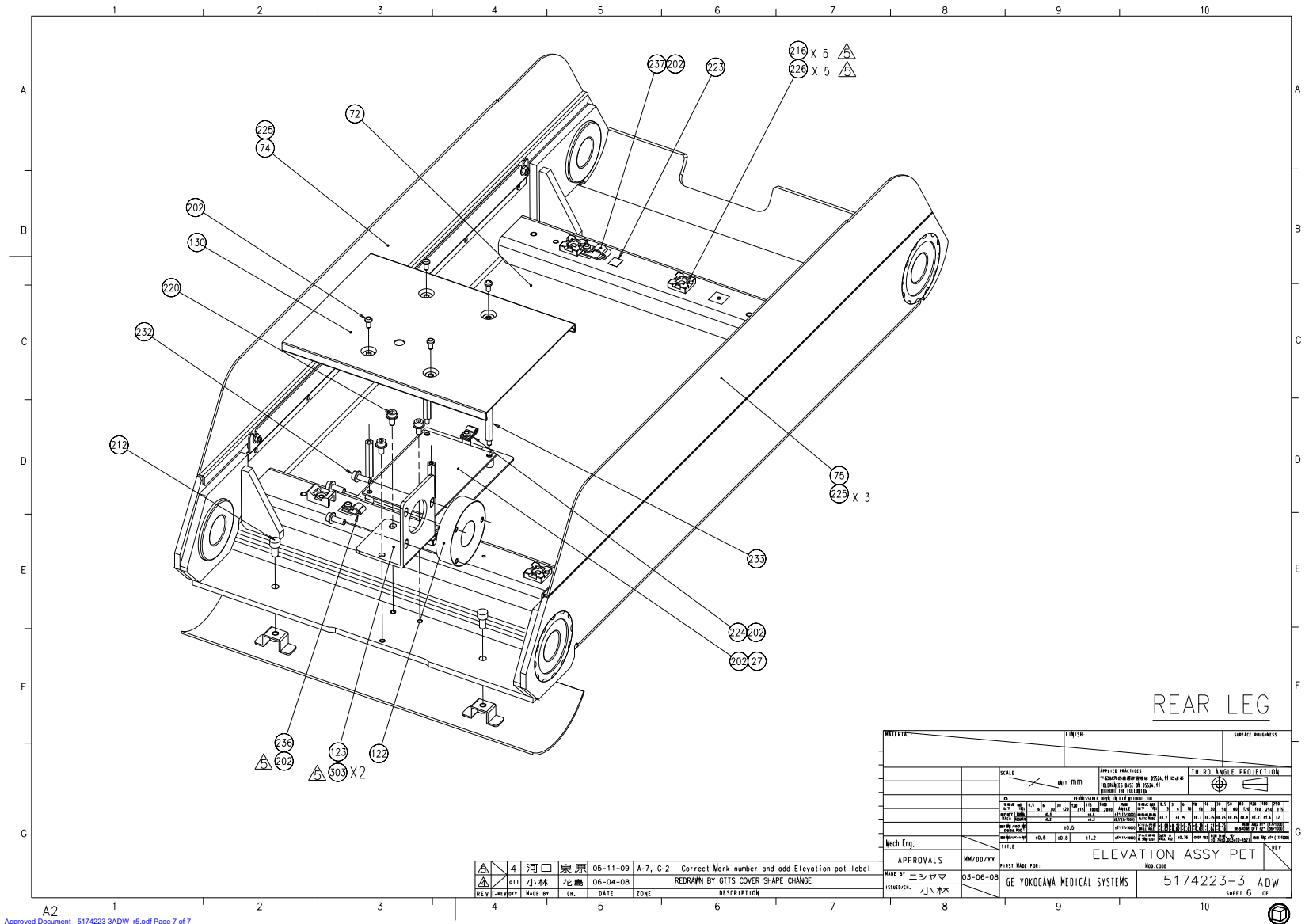


Figure 2-14 IMSLESS-GT Elevation Assembly (5174223-3ADW, sheet 5, rev 5)



State RELEASE - Document is released and under formal Change Control. Changes are subject to the EDRECO Process. See the GEHC Marking System to determine the status of this document.

Approved Document - 5174223-3ADW_r5.pdf Page 7 of 7

Figure 2-15 IMSLESS-GT Elevation Assembly (5174223-3ADW, sheet 6, rev 5)

MARK	NUMBER	QTY	FRU	DESCRIPTION/NAME
	5127283	1.0	Yes	HYDRAULIC RETURN HOSE ASSY Positoning GT
	5127285	1.0	Yes	SHUT OFF VALVE ASSY Positoning GT
	5127286	1.0	Yes	HYDRAULIC HIGH PRESUURE HOSE Positoning GT
	5127286	1.0	Yes	HYDRAULIC HIGH PRESUURE HOSE Positoning GT
	5127287	1.0	Yes	ELEVATION HYDRAULIC PUMP Positoning GT
	5309970-2	1.0	Yes	FRU CYLINDER ASSY Positiong GT
2	U0097AG	8.0	Yes	STANDOFF SPACER MALE_FEMALE 4 MM 10
23	5306599	1.0	Yes	STEP MOTOR DRIVER Positioning GT
26	5245271	1.0	Yes	GTCB3 BOARD ASSY
27	5116570-2	1.0	Yes	GTTS BOARD ASSY Positioning GT
38	46-297687P1	1.0	Yes	8 OHM, 4W, 3-1/2~ SPEAKER. 2.9 OZ CERAMIC MAGNET, 90 DB. (0.187~ Q.C. TERMINALS) (DWG REV 3/92, JFK - OK).
71	5125804	1.0	Yes	BELT 350-2GT-3 Positioning GT
101	5127774-2	1.0	Yes	ELEVATION POTENTIOMETER ASSY positioning GT
102	5127381-3	1.0	Yes	INVERTER ASSY positioning KITTYHAWK
103	5127384-3	1.0	Yes	POWER SUPPLY ASSY positioning KITTYHAWK
200	N9020YX	6.0	Yes	SCREW HEXAGON SOCKET 10 MM 20 MM CAP SCREW 10X20 FE
202	N9408JS	21.0	Yes	SCREW NABE 4X8 Fe Zn
203	N9401WS	1.0	Yes	WASHER PLAIN _ LARGE 4.3 MM 9 MM WASHER 4.3x9x0.8 FE ZN
204	N9408HR	8.0	Yes	SCREW TP
206	N9510HR	59.0	Yes	SCREW TP
207	N9510ZX	3.0	Yes	SCREW HEXAGON SOCKET 5 MM 10 MM CAP SCREW 5X10 FE
208	N9601BS	2.0	Yes	NUT HEXAGON 6 MM NUT M6 2 FE ZN
209	N9601WS	4.0	Yes	WASHER PLAIN - LARGE 6.4 MM 12.5 MM WASHER 6.4X12.5X1.6FEZN
211	N9408ZX	2.0	Yes	SCREW HEXAGON SOCKET 4 MM 8 MM CAP SCREW 4X8 FE
212	N9612YX	43.0	Yes	SCREW HEXAGON SOCKET 6 MM 12 MM CAP SCREW 6X12 FE
214	N9620YX	26.0	Yes	SCREW HEXAGON SOCKET 6 MM 20 MM CAP SCREW 6X20 FE

Table 2-3 IMSLESS-GT Elevation Assembly (5174223-10 BOM, rev 2)

MARK	NUMBER	QTY	FRU	DESCRIPTION/NAME
215	N9630YX	2.0	Yes	SCREW HEXAGON SOCKET 6 MM 30 MM CAP SCREW 6X30 FE
216	N9306ES	19.0	Yes	SCREW COUNTERSUNK HEA 3 MM 6 MM
221	46-328426P3	4.0	Yes	NUT HEXAGON_THIN 10 MM
224	U0030AC	4.0	Yes	CLAMP OR CLIP CLAMP
226	U0212AC	20.0	Yes	CLAMP TMS_20
227	U0208AC	8.0	Yes	CLAMP TC-142 TAIRATSUPU KOTEI
230	N9508JS	8.0	Yes	SCREW NABE 5X8 FE ZN
231	N9816YX	2.0	Yes	SCREW HEXAGON SOCKET 8 MM 16 MM CAP SCREW 8X16 FE
235	N9306ZX	3.0	Yes	SCREW HEXAGON SOCKET 3 MM 6 MM CAP SCREW 3X6 FE
236	U0031AC	2.0	Yes	CLAMP
237	U0032AC	2.0	Yes	CLAMP OLD CLAMP
238	U0201AC	8.0	Yes	CLAMP CV_100
239	U0202AC	14.0	Yes	CLAMP CV_150
240	U0203AC	20.0	Yes	CLAMP CV_200
302	5334052	1.0	Yes	DUMMY TO GTTS
3	5123754	1.0	No	FINE THREAD NUT U0276AA
4	5112074-2	1.0	No	TABLE BASE Positioning GT
5	5112928	4.0	No	BASE SHAFT R positioning GT
6	5112929	2.0	No	BASE SHAFT L positioning GT
7	5116290	1.0	No	CYLINDER BASE MOUNT 22 Positioning GT
8	5116291	1.0	No	CYLINDER BASE SHAFT 22
9	5112943	4.0	No	LEVERING PAD positioning GT
10	5112944	4.0	No	LEVERING ADJUSTER positioning GT
11	5112945	1.0	No	LIQUID RECIEVER positioning GT
13	5117581	1.0	No	TRAY-A Positioning GT
14	5117582	1.0	No	TRAY-B Positioning GT
15	5117584	1.0	No	TRAY-C Positioning GT
16	5117585	1.0	No	GTCB-BASE Positining GT

Table 2-3 IMSLESS-GT Elevation Assembly (5174223-10 BOM, rev 2) (Continued)

MARK	NUMBER	QTY	FRU	DESCRIPTION/NAME
17	5121246	1.0	No	CABLE BASE Positioning GT
18	5121247	1.0	No	DRIVER BASE COVER Positioning GT
19	5270376	1.0	No	LIQUID RECIEVER COVER Positioning GT
20	5121249	1.0	No	TRAY D Positioning GT
21	5122886	1.0	No	TRAY E Positioning GT
22	5123854	4.0	No	SHIPPING BOLT M27 P2 Positioning GT
24	5112219-2	1.0	No	CYLINDER ASSY
28	5112107-2	1.0	No	FRONT LEG Positioning GT
29	5112949	1.0	No	FRONT LEG PLATE L positioning GT
30	5112950	1.0	No	FRONT LEG PLATE R positioning GT
31	5117114	1.0	No	CYLINDER ROD D25 Positioning GT
32	5117124	2.0	No	CYLINDER BASE HIGH D25 Positioning GT
33	5117129	2.0	No	WASHER 253215 Positioning GT
34	5125241	1.0	No	CABLE DUCT FLEG R Positioning GT
35	5125242	1.0	No	CABLE DUCT FLEG L Positioning GT
36	5121918	1.0	No	ROD END SCREW TYPE U0910AP
37	2261674	1.0	No	SPEAKER GRILL, (REF 46-297684P1)
39	5123254	4.0	No	RUBBER DUMPER CBU Positioning GT
46	5112109	1.0	No	LEFT CHANNEL SUPPORT Positioning GT
47	5112110	1.0	No	RIGHT CHANNEL SUPPORT Positioning GT
48	5113098	2.0	No	SUP REIN positioning GT
49	5113084	2.0	No	PUMP BASE BRKT R positioning GT
50	5113085-2	1.0	No	PUMP SPRT BRKT UPPER positioning GT
51	5113086	1.0	No	CHANNEL SUPPORT SHAFT positioning GT
52	5113087	1.0	No	CHANNEL SPRT SHAFT POT positioning GT
54	5265581	2.0	No	RIGHT SUPPORT BLOCK positioning GT
57	5113580-2	1.0	No	PUMP-SPRT-BRKT-L Positioning GT
58	5113581-2	1.0	No	PUMP-SPRT-BRKT-R Positioning GT

Table 2-3 IMSLESS-GT Elevation Assembly (5174223-10 BOM, rev 2) (Continued)

MARK	NUMBER	QTY	FRU	DESCRIPTION/NAME
59	5113582	1.0	No	CABLE BEAR SUP BASE positioning GT
61	5116961	1.0	No	CABLE GUIDE BRKT1 Positioning GT
62	5116962	1.0	No	CABLE GUIDE BRKT2 Positioning GT
63	5117028	1.0	No	CONNECTOR BRKT Positioning GT
64	5117316	2.0	No	IMS SHIM01 Positioning GT
65	5117317	2.0	No	IMS SHIM02 Positioning GT
67	5122745	4.0	No	CABLE-MOUNT-13 positioning GT
68	5125877	2.0	No	PUMP NUT PLATE Positioning GT
69	5180482	1.0	No	FINGER GUARD Positioning GT
72	5112202-2	1.0	No	REAR LEG Positioning GT
74	5113107	1.0	No	REAR LEG PLATE L positioning GT
75	5113108	1.0	No	REAR LEG PLATE R positioning GT
77	5115669	1.0	No	REAR LEG COVER positioning GT
99	5127955	2.0	No	IMS SUPPORT SHIM01 Positioning GT
100	5127956	2.0	No	IMS SUPPORT SHIM02 Positioning GT
110	2263506	2.0	No	U0466AA SET SCREW
111	5130886	2.0	No	IMS-SUP-L-SHIM005S positioning GT
112	5130887	8.0	No	IMS-SUP-L-SHIM01S positioning GT
113	5130881	4.0	No	IMS-SUPPORT-SHIM05 positioning GT
114	5131440	2.0	No	IMS-SUPPORT-SHIM01S positioning GT
120	5178994-2	1.0	No	ROOF POT BRKT Positioning GT
121	5178633-2	1.0	No	BASE POT BRKT Positioning GT
122	5178177	1.0	No	PULLEY POT P105-2GT-12 Positioning GT
123	5178028	1.0	No	LEG PULLEY BRKT Positioning GT
130	5257017	1.0	No	GTTS COVER positioning GT
140	5271061-3	1.0	No	Cylinder GND Plate positioniing GT
141	5337138	1.0	No	BRAID GND CABLE positioning GT
201	N9030YX	4.0	No	SCREW HEXAGON SOCKET 10 MM 30 MM CAP 10X30

Table 2-3 IMSLESS-GT Elevation Assembly (5174223-10 BOM, rev 2) (Continued)

MARK	NUMBER	QTY	FRU	DESCRIPTION/NAME
210	N9610SJ	3.0	No	SET SCREW
217	N9820YX	6.0	No	SCREW HEXAGON SOCKET 8 MM 20 MM CAP SCREW 8X20 FE
218	Z9817DL	1.4	No	SUPER HIGHLAND
219	2262896	12.0	No	U0465AA FLANGE SOCKET
220	2299437	3.0	No	U0472AA_FLANGE_SOCKET
222	U0022BN	15.0	No	NAME PLATE NAME PLATE-EARTH MARK
223	U0036BN	7.0	No	NAME PLATE
225	U0241AA	16.0	No	NUT HEXAGON 4 MM NUT
228	N9025YX	4.0	No	SCREW CAP SCREW 10X25FE * CAP SCREW 10X25FE
229	N9406ES	1.0	No	SCREW SARA 4X6 Fe Zn
232	5125774	3.0	No	FLANGE SOCKET U0478AA
233	U0107AG	4.0	No	STANDOFF/SPACER MALE/FEMALE 4 MM 40 STUD FF40
234	N9801BS	4.0	No	NUT HEXAGON 8 MM FE ZN
303	2218428	2.0	No	P9235PV DON~T LOOSEN LABEL

Table 2-3 IMSLESS-GT Elevation Assembly (5174223-10 BOM, rev 2) (Continued)

1.2 GT1700V Top Frame Assembly (5133502-10)

FRU = NO

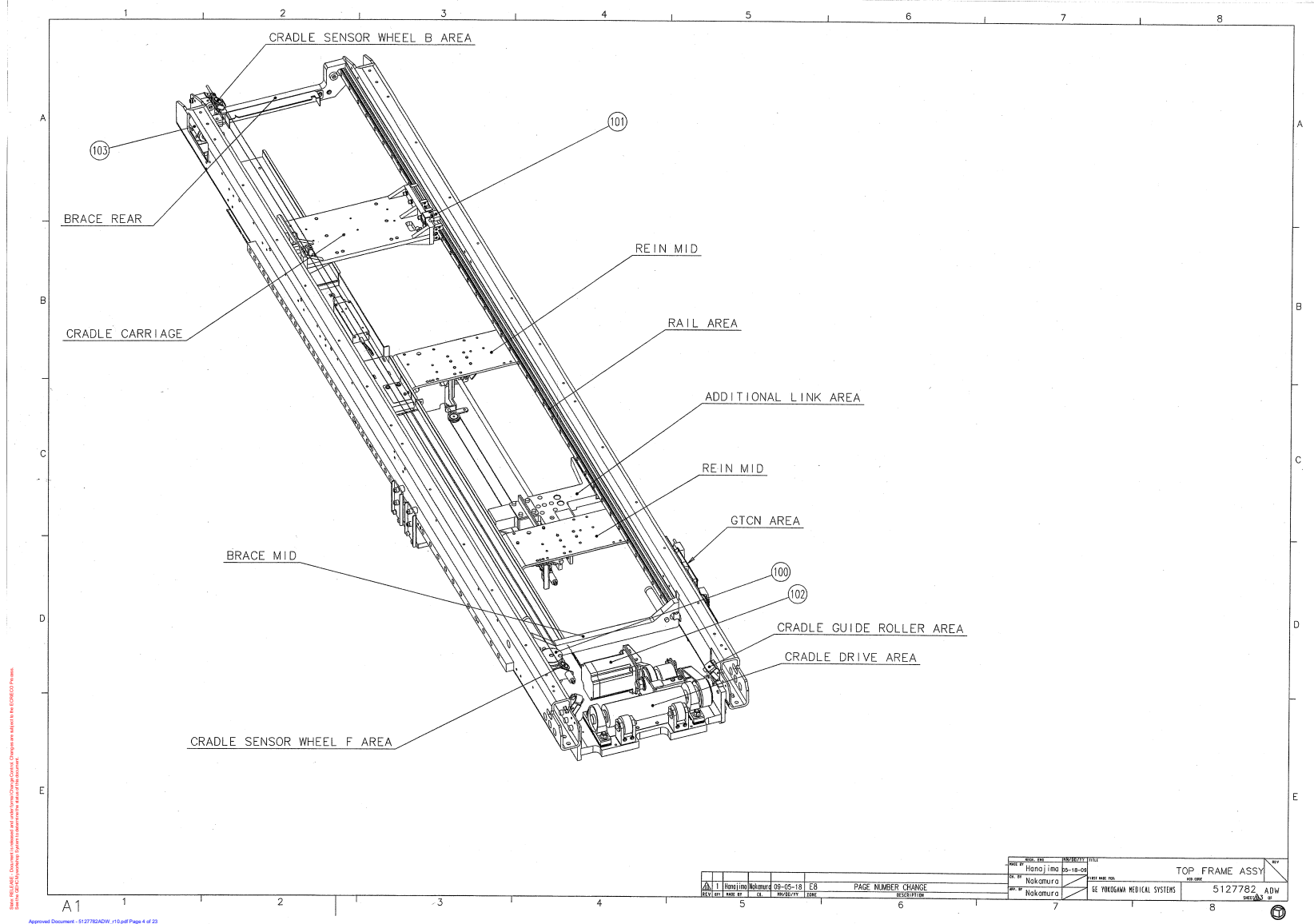


Figure 2-16 GT1700V Top Frame Assembly (5127782ADW, sheet 3, rev 10)

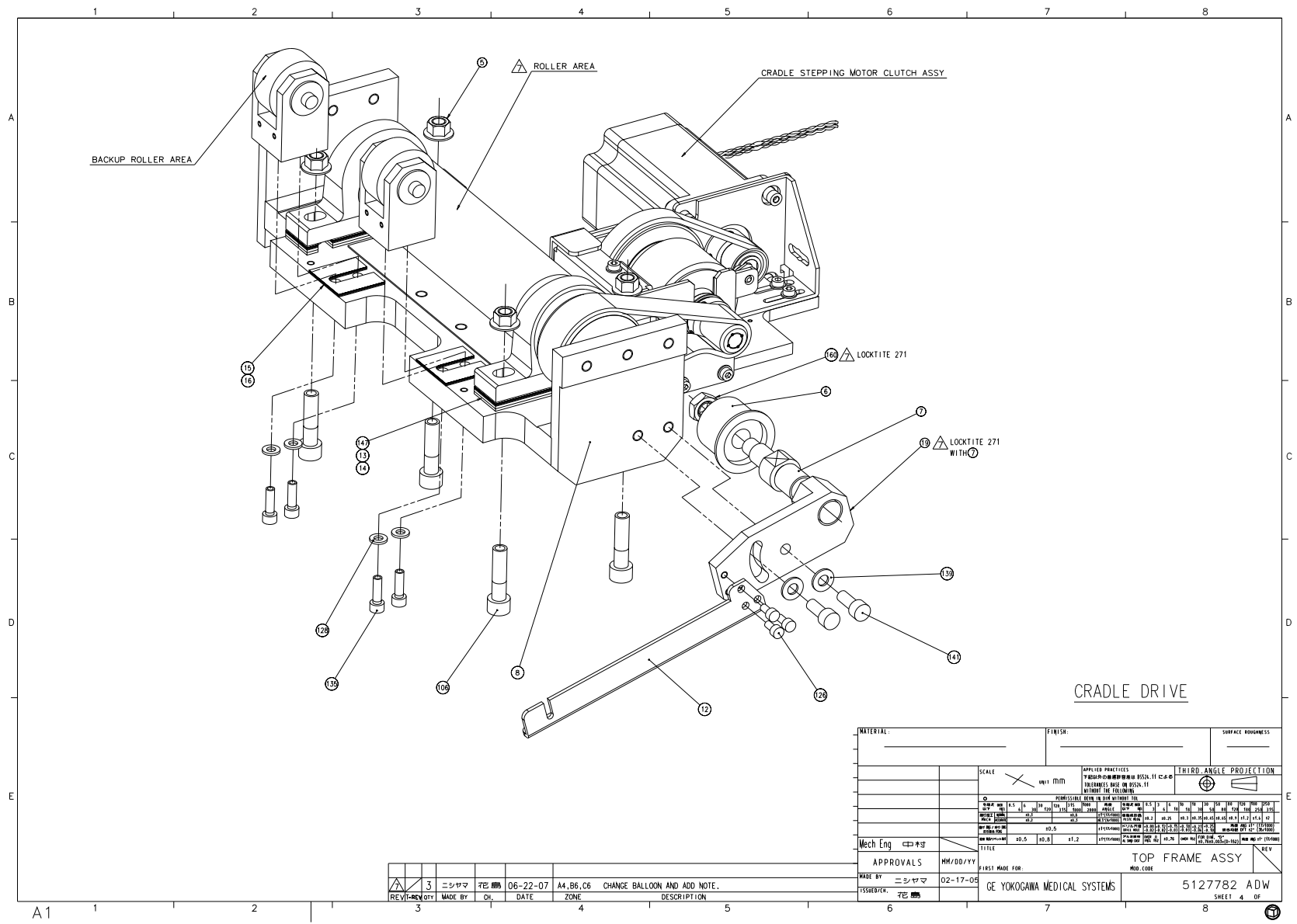
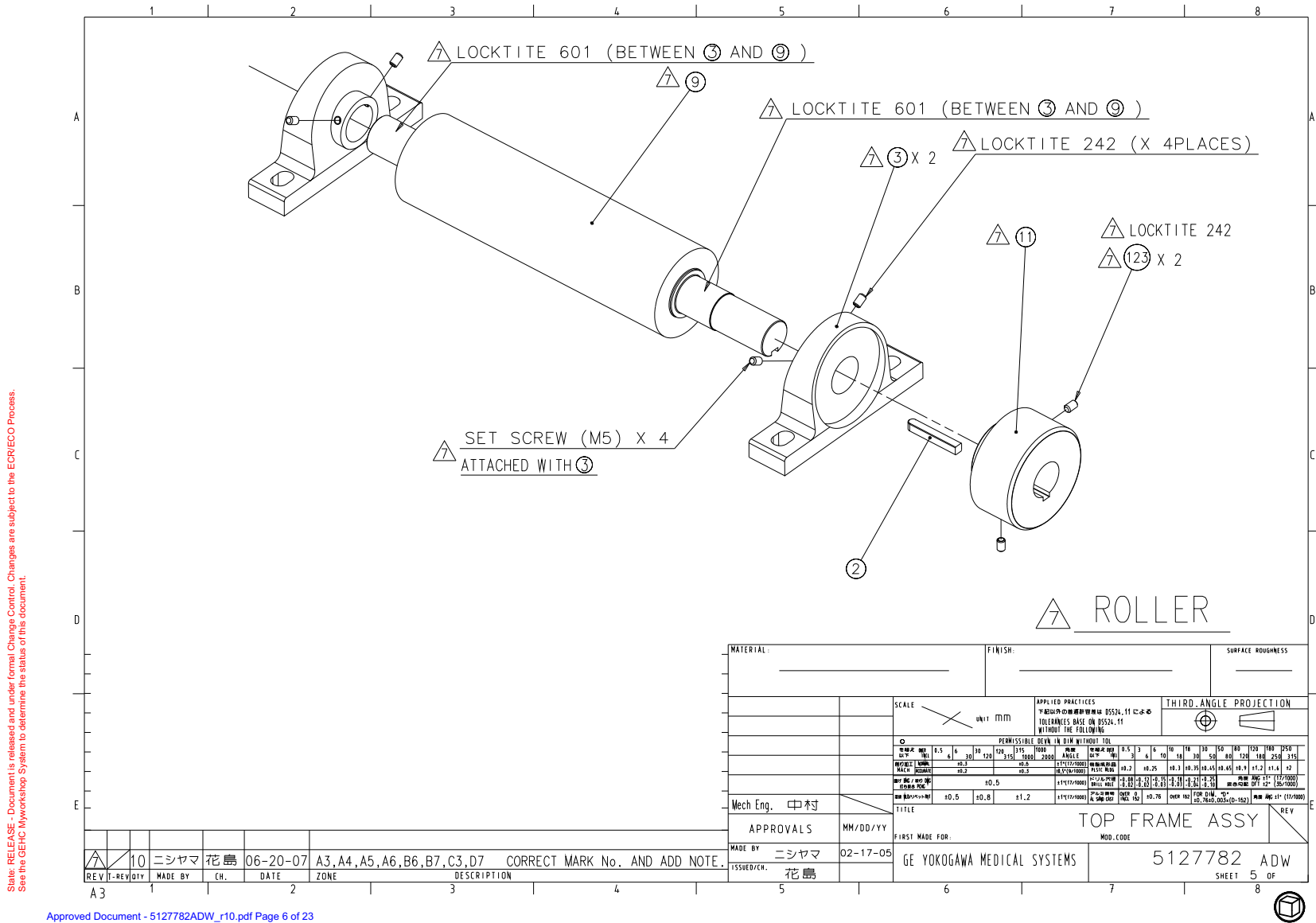


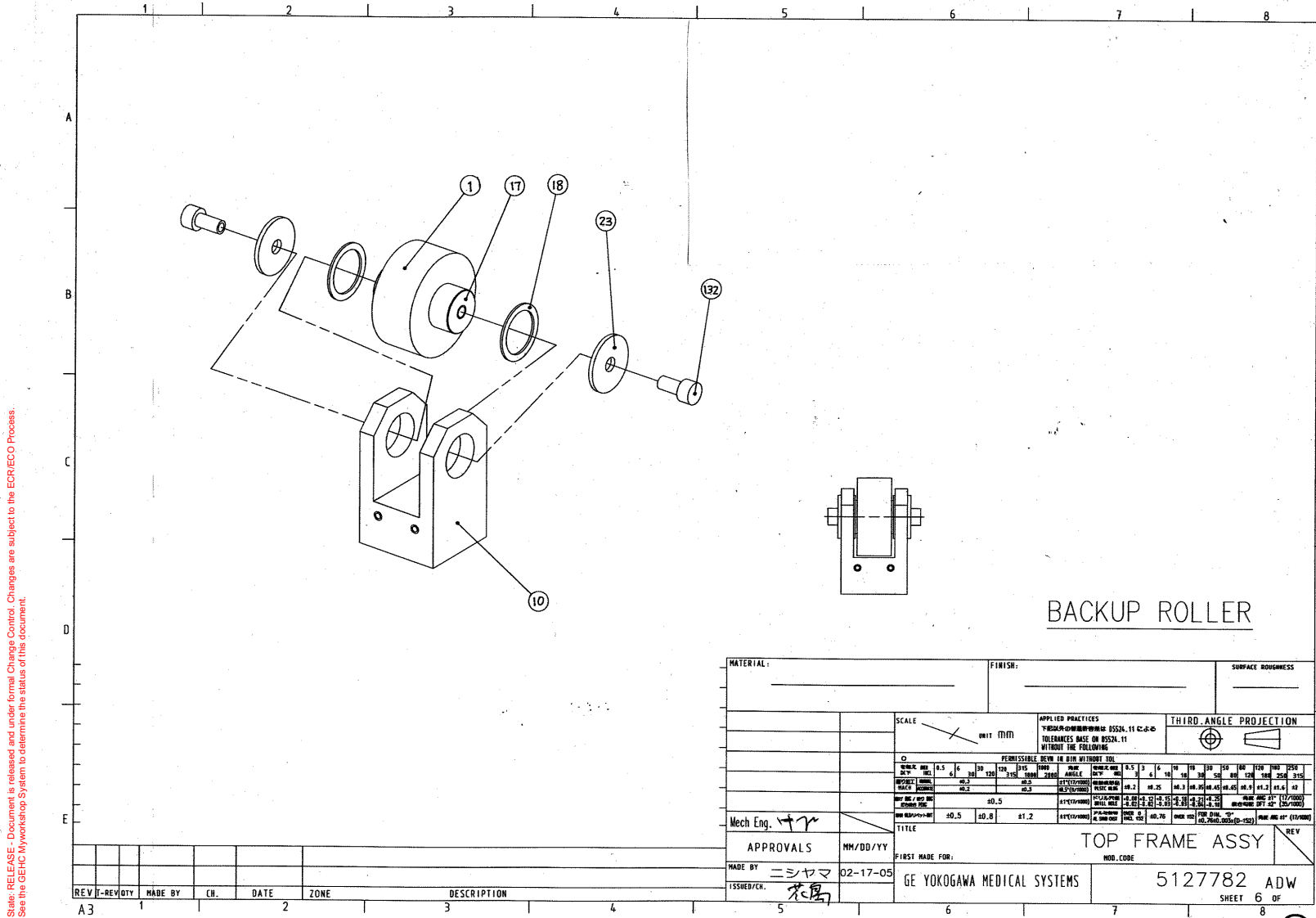
Figure 2-17 GT1700V Top Frame Assembly (5127782ADW, sheet 4, rev 10)



State: RELEASE. Document is released and under formal Change Control. Changes are subject to the ECRECO Process. See the GEHC MyWorkshop System to determine the status of this document.

Approved Document - 5127782ADW_r10.pdf Page 6 of 23

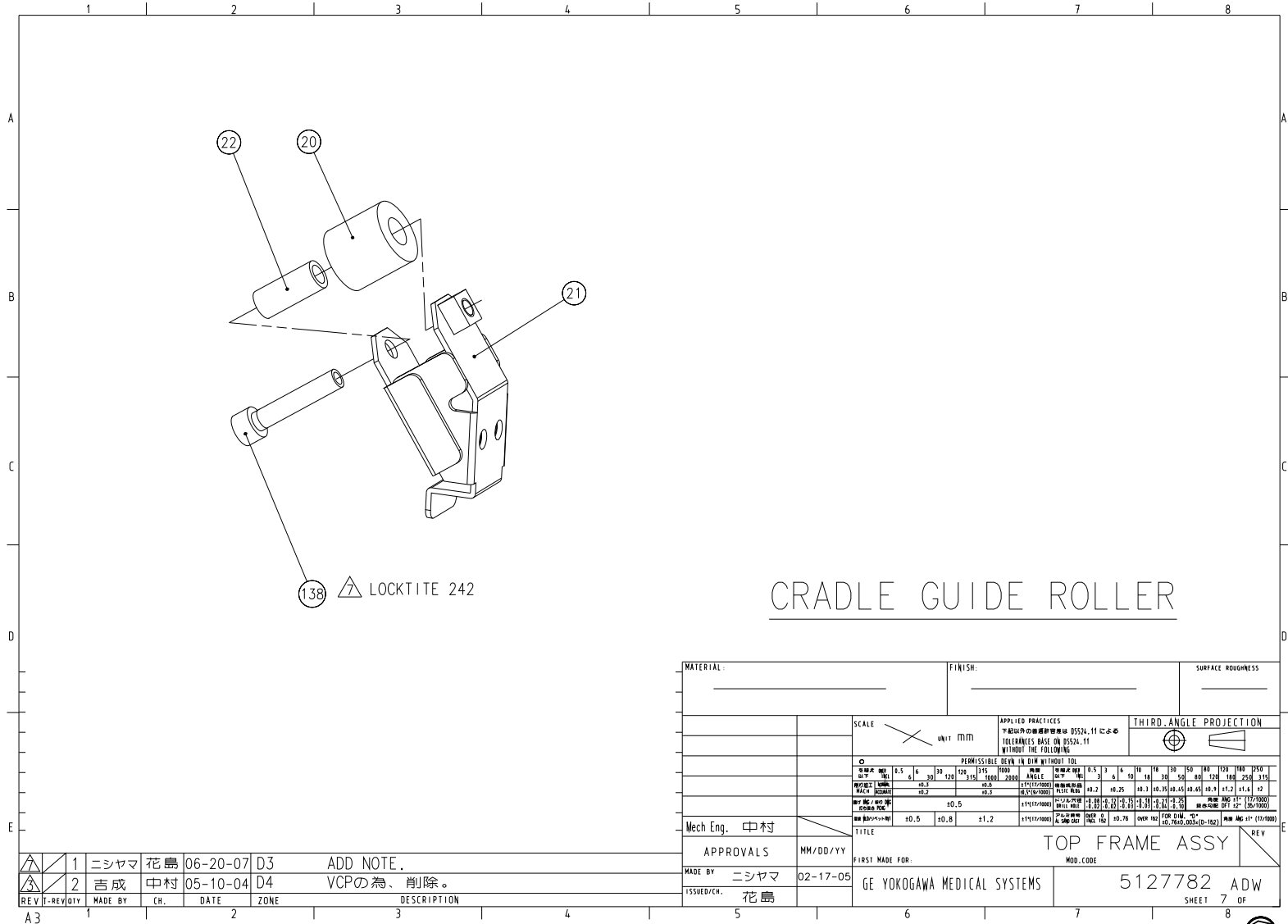
Figure 2-18 GT1700V Top Frame Assembly (5127782ADW, sheet 5, rev 10)



Approved Document - 5127782ADW_r10.pdf Page 7 of 23

Figure 2-19 GT1700V Top Frame Assembly (5127782ADW, sheet 6, rev 10)

Status: RELEASE - Document is released and under formal Change Control. Changes are subject to the ECRECO Process. See the GEHC Myworkshop System to determine the status of this document.



Approved Document - 5127782ADW_r10.pdf Page 8 of 23

Figure 2-20 GT1700V Top Frame Assembly (5127782ADW, sheet 7, rev 10)

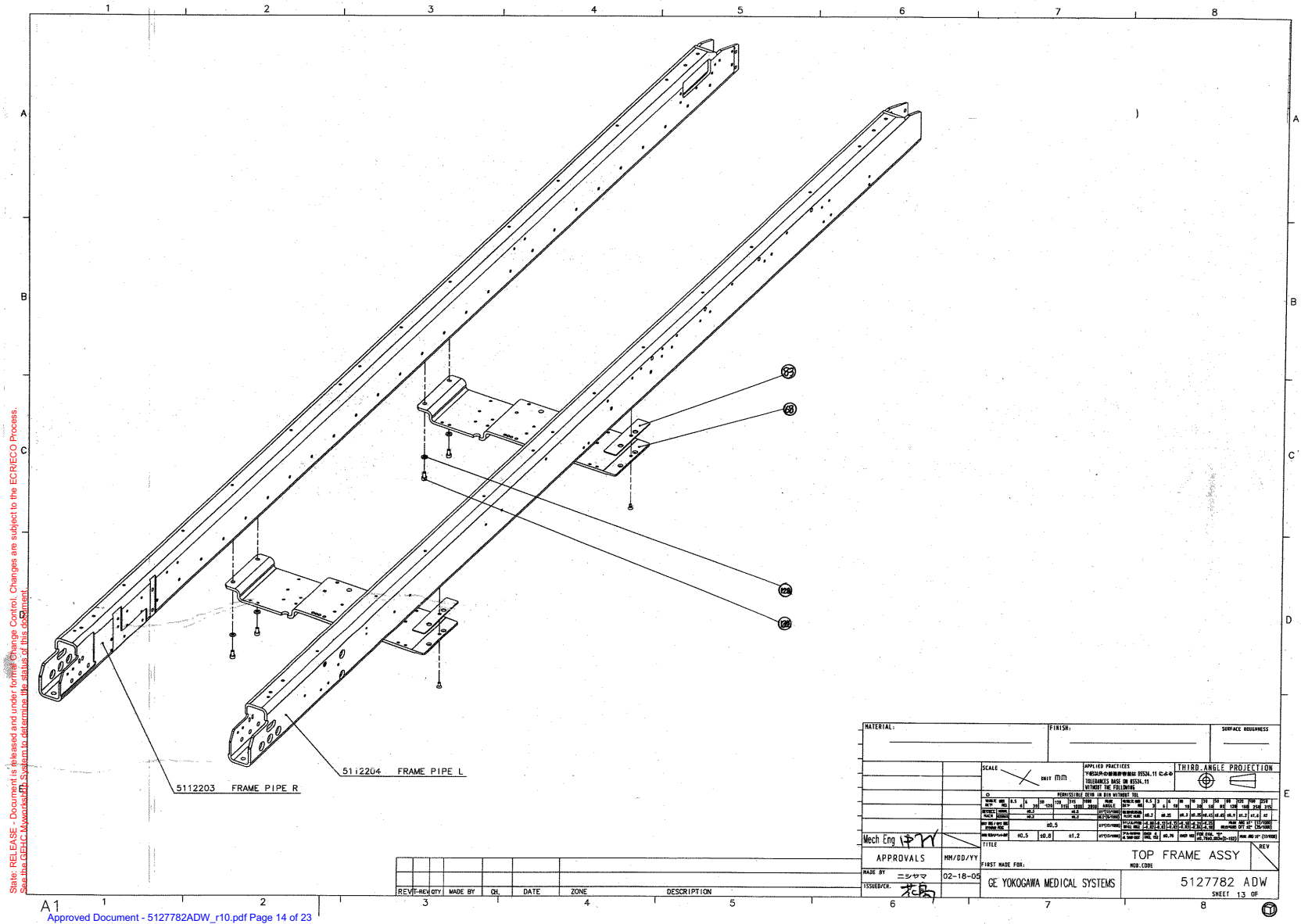
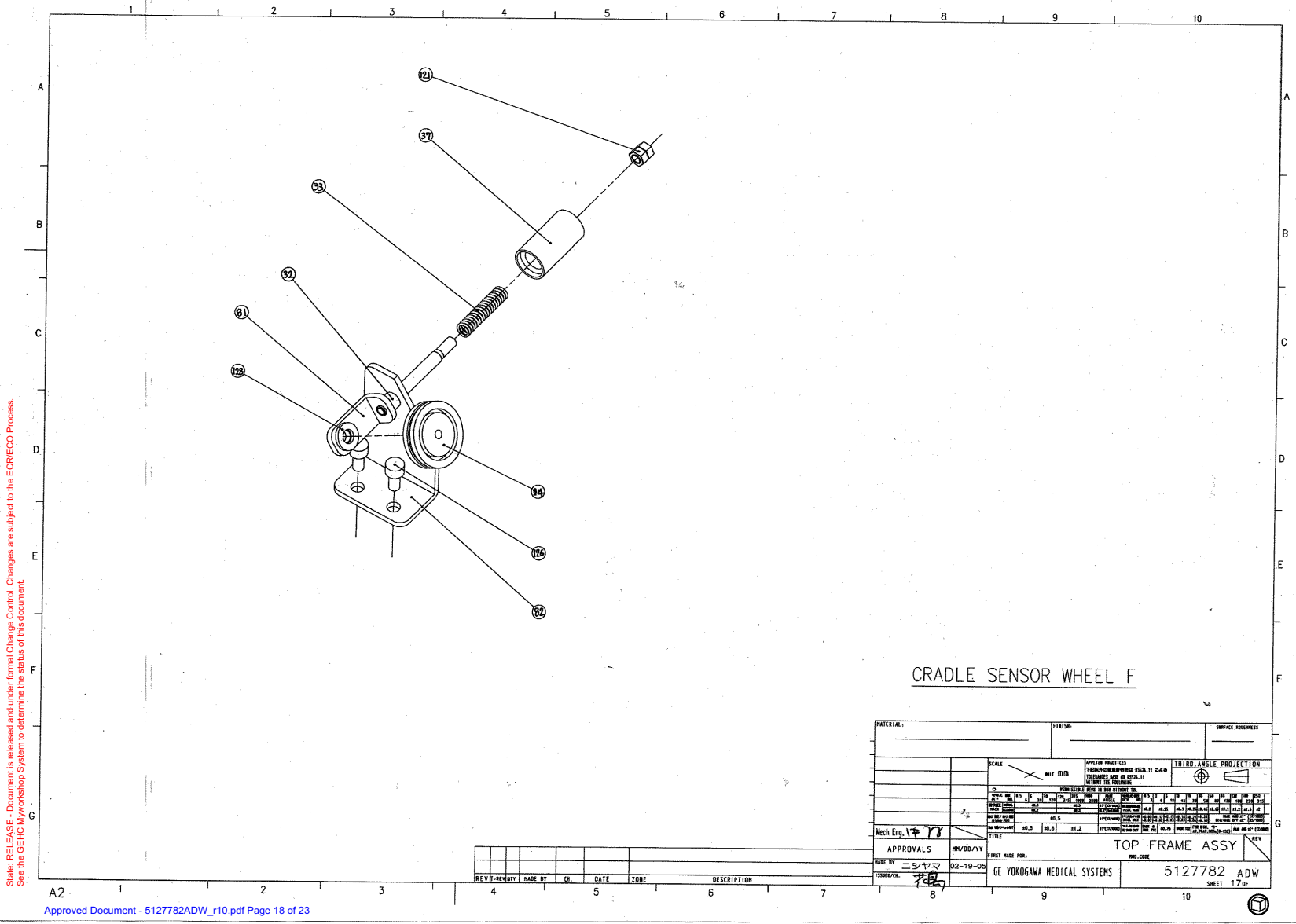


Figure 2-21 GT1700V Top Frame Assembly (5127782ADW, sheet 13, rev 10)



State: RELEASE - Document is released and under format Change Control. Changes are subject to the ECR/ECO Process. See the GEHC MyWorkshop System to determine the status of this document.

CRADLE SENSOR WHEEL F

MATERIAL:	FINISH:	SURFACE FINISHNESS:																																																				
SCALE: $\frac{1}{2}$ NAT (MM)	APPLICATOR PRACTICES: PRACTICE FOR DIMENSIONS SPEC. IN SCAD	THIRD ANGLE PROJECTION																																																				
<table border="1"> <tr> <th>D</th> <th>1</th> <th>2</th> <th>3</th> <th>4</th> <th>5</th> <th>6</th> <th>7</th> <th>8</th> <th>9</th> <th>10</th> <th>11</th> <th>12</th> <th>13</th> <th>14</th> <th>15</th> <th>16</th> <th>17</th> <th>18</th> <th>19</th> <th>20</th> <th>21</th> <th>22</th> <th>23</th> <th>24</th> <th>25</th> </tr> <tr> <td>0</td> <td>1</td> <td>2</td> <td>3</td> <td>4</td> <td>5</td> <td>6</td> <td>7</td> <td>8</td> <td>9</td> <td>10</td> <td>11</td> <td>12</td> <td>13</td> <td>14</td> <td>15</td> <td>16</td> <td>17</td> <td>18</td> <td>19</td> <td>20</td> <td>21</td> <td>22</td> <td>23</td> <td>24</td> <td>25</td> </tr> </table>			D	1	2	3	4	5	6	7	8	9	10	11	12	13	14	15	16	17	18	19	20	21	22	23	24	25	0	1	2	3	4	5	6	7	8	9	10	11	12	13	14	15	16	17	18	19	20	21	22	23	24	25
D	1	2	3	4	5	6	7	8	9	10	11	12	13	14	15	16	17	18	19	20	21	22	23	24	25																													
0	1	2	3	4	5	6	7	8	9	10	11	12	13	14	15	16	17	18	19	20	21	22	23	24	25																													
Mech Eng. <i>Y</i>	APPROVALS	REV	DESCRIPTION																																																			
DATE: 02-19-05	BY: <i>ニシヤマ</i>	NO.	DESCRIPTION																																																			
TITLE: TOP FRAME ASSY FIRST MADE FOR: GE YOKOGAWA MEDICAL SYSTEMS		REV	DESCRIPTION																																																			
MOI CODE: 5127782 ADW SHEET 17 OF 23		REV	DESCRIPTION																																																			

REV	REVISION	MADE BY	CL	DATE	ZONE	DESCRIPTION

Figure 2-22 GT1700V Top Frame Assembly (5127782ADW, sheet 17, rev 10)

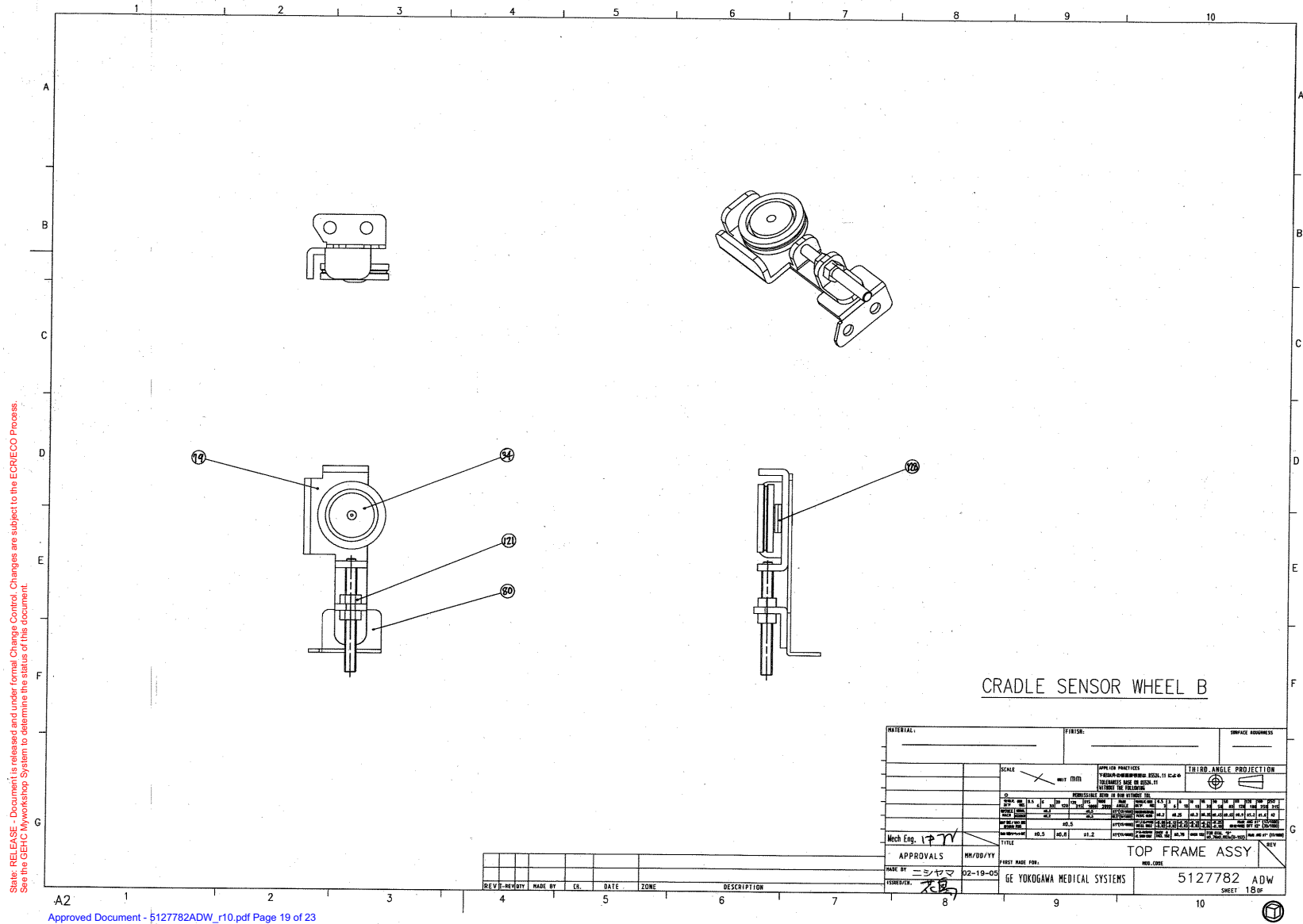


Figure 2-23 GT1700V Top Frame Assembly (5127782ADW, sheet 18, rev 10)

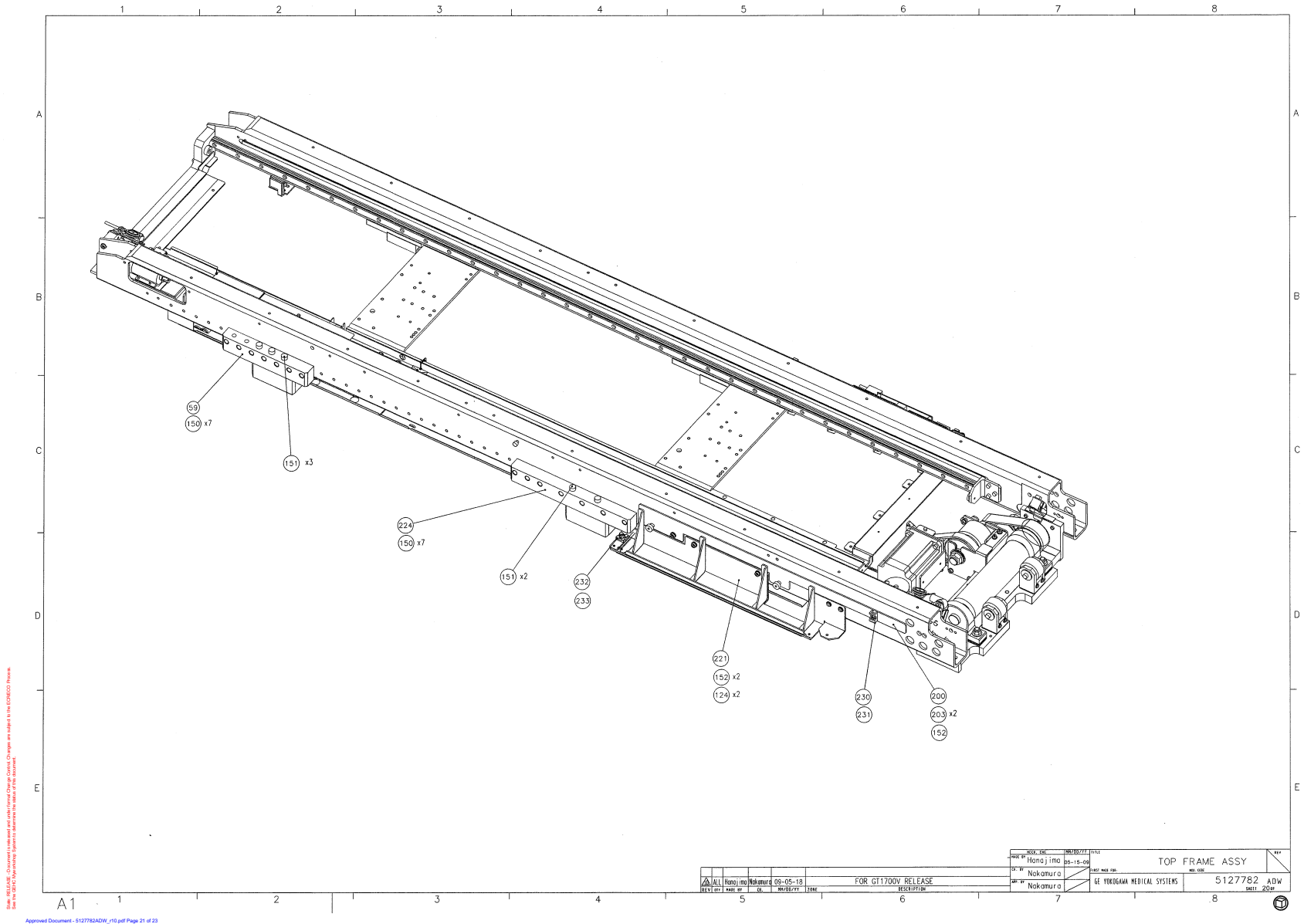


Figure 2-24 GT1700V Top Frame Assembly (5127782ADW, sheet 20, rev 10)

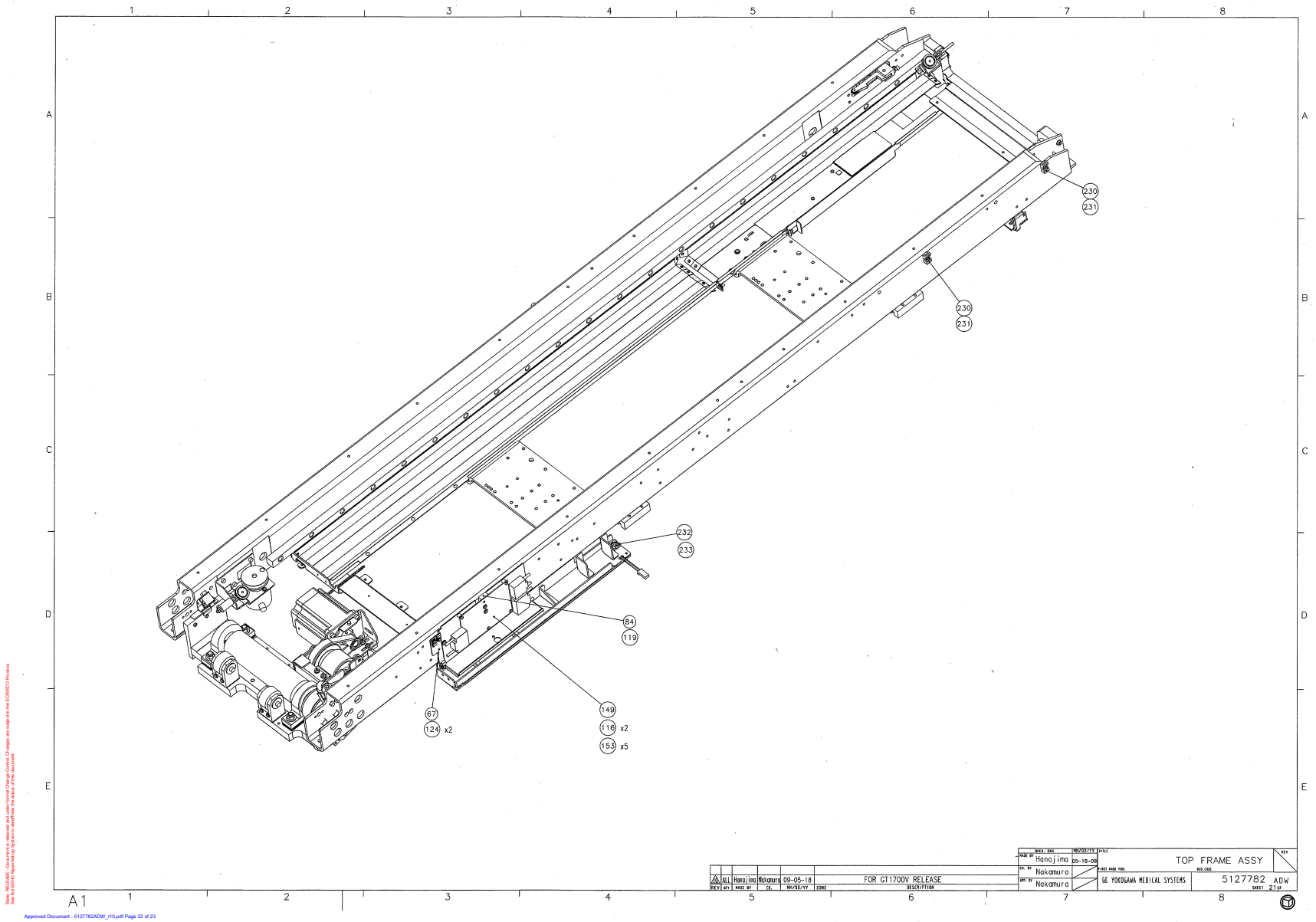


Figure 2-25 GT1700V Top Frame Assembly (5127782ADW, sheet 21, rev 10)

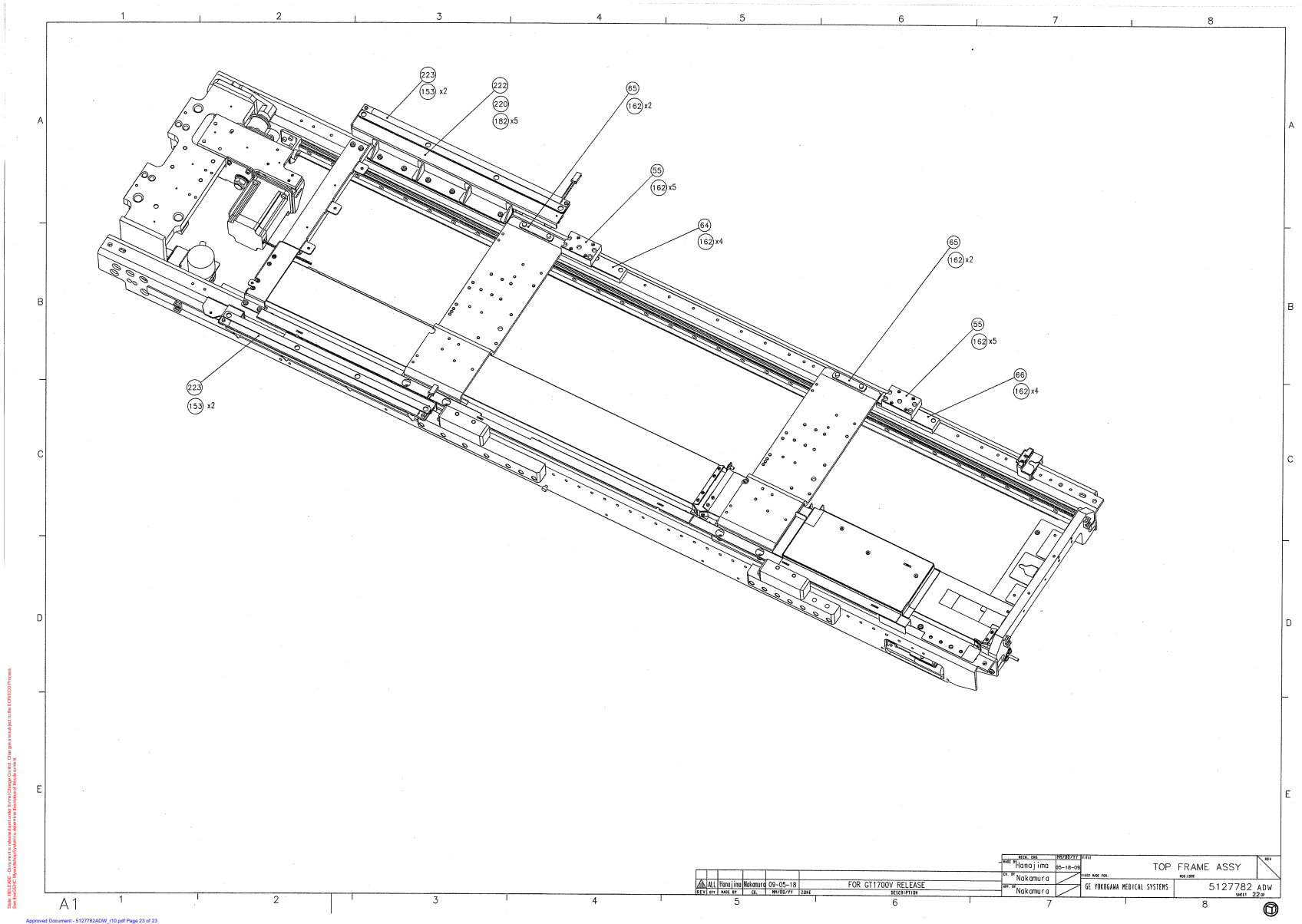


Figure 2-26 GT1700V Top Frame Assembly (5127782ADW, sheet 22, rev 10)

MARK	NUMBER	QTY	FRU	DESCRIPTION/NAME
	5237567	1.0	Yes	Lubricant U0303BD-2
1	2201853	2.0	Yes	U0226AH BEARING BALL,DOUBLE RO 20MM
23	P9145CZ	4.0	Yes	WASHER ROLLER
34	U0009AH	4.0	Yes	CAM FOLLOWER WITH SHAFT 6 MM 30 MM DV-30-B0.5
36	P9145DY	4.0	Yes	SPACER
37	P9145DL	2.0	Yes	CASE SPRING
48	U0443BA	5.0	Yes	TUBE .vk X F4X0.25 hY
52	5333207	1.0	Yes	ABSOLUTE ENCODER FOR CRADLE Positioning GT
53	5122210	1.0	Yes	MAGNET SCALE GT
56	U0125AE	3.0	Yes	CUSHION CK-17
100	5138091	1.0	Yes	CRADLE WIRE ASSY 1700 Positioning GT
101	5133508	1.0	Yes	LINEAR SCALE-1700 ASSY positioning GT
102	5135265	1.0	Yes	CRADLE STEEPING MOTOR CLUTCH 1700 ASSY Positioning GT {For further detail, see Section 1.2.1, beginning on page 82. }
103	5133504	1.0	Yes	CRADLE LOCK-1700 ASSY positioning GT
105	N9020YX	5.0	Yes	SCREW HEXAGON SOCKET 10 MM 20 MM CAP SCREW 10X20 FE
106	N9040YX	8.0	Yes	SCREW HEXAGON SOCKET 10 MM 40 MM CAP SCREW M10X40 FE
111	N9306ZX	4.0	Yes	SCREW HEXAGON SOCKET 3 MM 6 MM CAP SCREW 3X6 FE
116	N9408HR	2.0	Yes	SCREW TP
118	N9408ZX	5.0	Yes	SCREW HEXAGON SOCKET 4 MM 8 MM CAP SCREW 4X8 FE
119	N9414JS	1.0	Yes	SCREW PAN HEAD 4 MM 14 MM SCREW osX 4X14 FE ZN
121	N9501BS	9.0	Yes	NUT HEXAGON 5 MM NUT M5 FE ZN
122	N9501WS	2.0	Yes	WASHER PLAIN - LARGE 5.3 MM 10 MM WASHER M5
123	N9508SJ	2.0	Yes	SCREW SET SCREW 5 MM 8 MM SET SCREW M5X0.8X8htXvsg
124	N9510HR	4.0	Yes	SCREW TP
125	N9510LK	14.0	Yes	SCREW PAN HEAD 5 MM 10 MM
126	N9510ZX	9.0	Yes	SCREW HEXAGON SOCKET 5 MM 10 MM CAP SCREW 5X10 FE

Table 2-4 GT1700V Top Frame Assembly (5133502-10 BOM, rev 3)

MARK	NUMBER	QTY	FRU	DESCRIPTION/NAME
128	N9601WS	55.0	Yes	WASHER PLAIN - LARGE 6.4 MM 12.5 MM WASHER 6.4X12.5X1.6FEZN
132	N9612YX	39.0	Yes	SCREW HEXAGON SOCKET 6 MM 12 MM CAP SCREW 6X12 FE
135	N9620YX	41.0	Yes	SCREW HEXAGON SOCKET 6 MM 20 MM CAP SCREW 6X20 FE
138	N9630YX	2.0	Yes	SCREW HEXAGON SOCKET 6 MM 30 MM CAP SCREW 6X30 FE
139	N9801WS	4.0	Yes	WASHER PLAIN - LARGE 8.4 MM 17 MM
142	N9825YX	2.0	Yes	SCREW CAP SCREW 8X25 Fe
149	5112471-3	1.0	Yes	GTCN BOARD ASSY Positioning GT
150	N9630YX	14.0	Yes	SCREW HEXAGON SOCKET 6 MM 30 MM CAP SCREW 6X30 FE
153	N9408JS	9.0	Yes	SCREW NABE 4X8 Fe Zn
162	N9520ZX	22.0	Yes	SCREW HEXAGON SOCKET 5 MM 20 MM CAP SCREW 5X20 FE
170	U0009AP	2.0	Yes	PIPE B11
181	N9412ZX	4.0	Yes	SCREW HEXAGON SOCKET 4 MM 12 MM SCREW
184	N9625YX	4.0	Yes	SCREW CAP 6X25
190	5267812	1.0	Yes	DUMMY TO GTCN Positioning GT
223	5330654	2.0	Yes	TAPE SWITCH FRONT TS-3 Positioning GMV
230	U0208AC	2.0	Yes	CLAMP TC-142 TAIRATSUPU KOTEI
231	N9508JS	2.0	Yes	SCREW NABE 5X8 FE ZN
232	U0212AC	2.0	Yes	CLAMP TMS_20
233	N9306ES	2.0	Yes	SCREW COUNTERSUNK HEA 3 MM 6 MM
2	5121923	1.0	No	Parallel key U0163AP
3	5121921	2.0	No	BEARING UNIT U0447AH
4	5125774	8.0	No	FLANGE SOCKET U0478AA
5	5125773	4.0	No	FLANGE NUT U0276AA
6	5125253	1.0	No	IDLER NIPS3050 Positioning GT
7	5125254	1.0	No	IDLER PIN PID1522 Positioning GT
8	5112206	1.0	No	CRADLE-DRIVE-BASE Positioning GT
9	5113224	1.0	No	ROLLER positioning GT
10	5113219	2.0	No	BRKT ROLLER positioning GT

Table 2-4 GT1700V Top Frame Assembly (5133502-10 BOM, rev 3) (Continued)

MARK	NUMBER	QTY	FRU	DESCRIPTION/NAME
11	5113220	1.0	No	ROLLER PULLY positioning GT
12	5118619	1.0	No	TENSION BAR
13	5118587	10.0	No	SPACER 01 PILLOW
14	5118588	6.0	No	SPACER 05 PILLOW
15	5118592	10.0	No	SPACER 01 BASE
16	5118591	6.0	No	SPACER 05 BASE
17	2199990	2.0	No	P9235JB PIN
18	2199991	4.0	No	P9235LA SPACER INNER
19	5117121	1.0	No	IDLER BASE positioning GT
20	5118181	2.0	No	CRADLE GUIDE ROLLER Positioning GT
21	5118183	2.0	No	CRADLE GUIDE ROLLER SPRT Positioning GT
22	5118182	2.0	No	SPACER BRASS Positioning GT
33	U0004AQ	2.0	No	SPRING COMPRESSION 47 MM SC-085-120-0470 4017
54	5133087	1.0	No	CRADLE LINEAR GUIDE positioning GT
55	5326082	2.0	No	LEFT SUPPORT BLOCK 1700 Positioning GMV
57	5129820	1.0	No	PIPE-R-MID positioning GT
58	5129818	1.0	No	PIPE-L-MID positioning GT
59	5273046	1.0	No	RIGHT SUPPORT BAR positioning GT
60	5128683	1.0	No	PLATE RAIL MID Positioning GT
61	5129848	1.0	No	CRADLE-ENCODER-BRKT-MID positioning GT
63	5129677	1.0	No	BRACE REAR 1700 positioning GT
64	5325528	1.0	No	LEFT FRONT PLATE 1700 Positioning GMV
65	5268072	2.0	No	REIN MID WASHER PLATE positioning GT
66	5325527	1.0	No	LEFT REAR PLATE 1700 Positioning GMV
67	5113230	1.0	No	GTCN BRKT positioning GT
68	5113241	2.0	No	REIN MID positioning GT
69	5129852	1.0	No	SUP-TOP-PLATE-REAR-1700 positioning GT
71	5129846	1.0	No	TOP-PLATE-REAR-1700 positioning GT

Table 2-4 GT1700V Top Frame Assembly (5133502-10 BOM, rev 3) (Continued)

MARK	NUMBER	QTY	FRU	DESCRIPTION/NAME
73	5129845	1.0	No	TOP-PLATE-FRONT-MID positioning GT
75	5129841	1.0	No	CABLE-DUCT-FRONT-MID positioning GT
76	5129842	1.0	No	CABLE-DUCT-REAR-MID positioning GT
77	5117355	1.0	No	CABLE-GUIDE-BRKT
79	5117982	1.0	No	WHEEL-SCREW-BRKT-REAR Positioning GT
80	5117983	1.0	No	REAR-WHEEL-ADJUST-BRKT Positioning GT
81	5117984	2.0	No	WHEEL-SCREW-BRKT-FRONT Positioning GT
83	5117163	2.0	No	REIN MID SPACER
84	5331268	1.0	No	GTCN NUT PLATE 1700 IMSLESS positioning GMV
88	5126275	1.0	No	TOP-FRONT-BRKT-3L positioning GT
92	5112921	2.0	No	UPPER SUP ADD positioning GT
130	N9610SJ	1.0	No	SET SCREW
141	N9820YX	11.0	No	SCREW HEXAGON SOCKET 8 MM 20 MM CAP SCREW 8X20 FE
147	5118590	4.0	No	SPACER 40 PILLOW
151	N9850YX	5.0	No	SCREW HEXAGON SOCKET 8 MM 50 MM CAP SCREW 8X50 FE
152	2262896	3.0	No	U0465AA FLANGE SOCKET
160	N9121CS	1.0	No	NUT M12 3SYU FeZn
174	5177564	1.0	No	IMS STOPPER 1700 positioning GT
175	N9616YX	2.0	No	SCREW HEXAGON SOCKET 6 MM 16 MM CAP SCREW 6X16 FE
180	N9310ZX	4.0	No	SCREW HEXAGON SOCKET 3 MM 10 MM CAP SCREW 3X10 FE
182	2299437	14.0	No	U0472AA_FLANGE_SOCKET
183	N9514ZX	3.0	No	SCREW HEXAGON SOCKET 5 MM 14 MM
200	5326708	1.0	No	ELEVATION CHARACTERIZE PLATE 1700 positioning GMV
201	5129843	1.0	No	SUP-CABLE-DUCT-FRONT-MID positioning GT
202	5129839	1.0	No	STOPPER-CARRIAGE-FRONT positioning GT
203	1011-M6C012-07	2.0	No	Hexagon Socket Head Shoulder Screw, ISO 7379, M6-1.0, X12mm Long, Grade 12.9 Steel, Black Oxide, RoHS Fastener
211	2379698	0.001	No	U0064BA_EDGING_TAPE

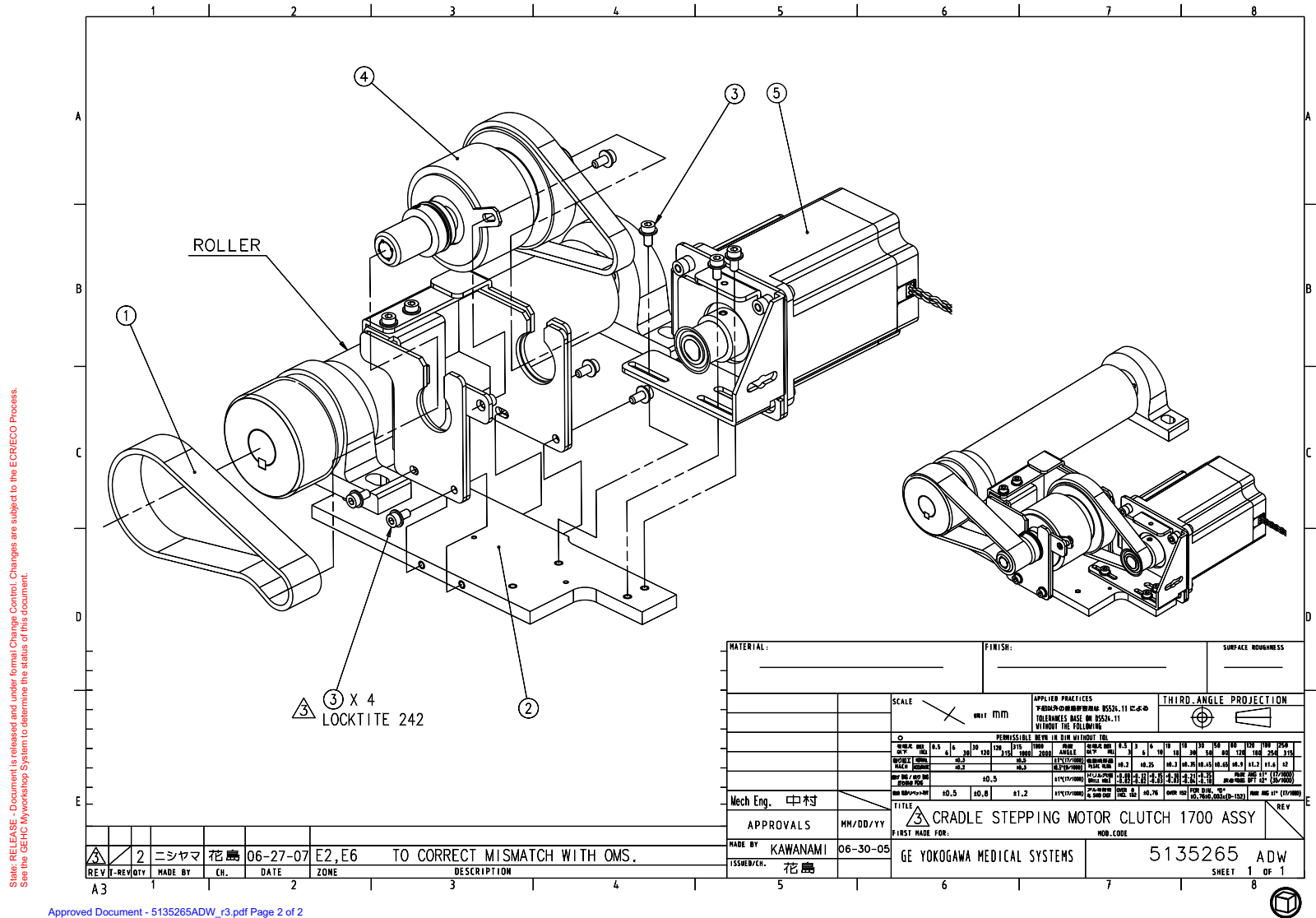
Table 2-4 GT1700V Top Frame Assembly (5133502-10 BOM, rev 3) (Continued)

MARK	NUMBER	QTY	FRU	DESCRIPTION/NAME
220	5331174	1.0	No	UNDERSHEET FRONT SW BRKT L positioning GMV
221	5326823	1.0	No	FRONT SW BRKT R positioning GMV
222	5326824	1.0	No	FRONT SW BRKT L positioning GMV
224	5325529	1.0	No	RIGHT FRONT SUPPORT BAR 1700 Positioning GMV

Table 2-4 GT1700V Top Frame Assembly (5133502-10 BOM, rev 3) (Continued)

1.2.1 Cradle Stepping Motor Clutch 1700 Assembly Positioning GT (5135265)

FRU = YES



Approved Document - 5135265ADW_r3.pdf Page 2 of 2

Figure 2-27 Cradle Stepping Motor Clutch 1700 Assembly Positioning GT (5135265ADW, sheet 1, rev 3)

MARK	NUMBER	QTY	FRU	DESCRIPTION/NAME
1	5123238	1.0	Yes	BELT 375 UP5M25 Positioning GT
2	5118348	1.0	No	PULLEY SUP BASE
3	2299437	7.0	No	U0472AA_FLANGE_SOCKET
4	5127775	1.0	No	CLUTCH ASSY Positioning GT
5	5135249	1.0	No	CRADLE MOTOR 1700 ASSY

Table 2-5 Cradle Stepping Motor Clutch 1700 Assembly Positioning GT (5135265 BOM, rev 2)

1.3 Foot Switch Assembly Positioning GT (5126796-3)

FRU = NO

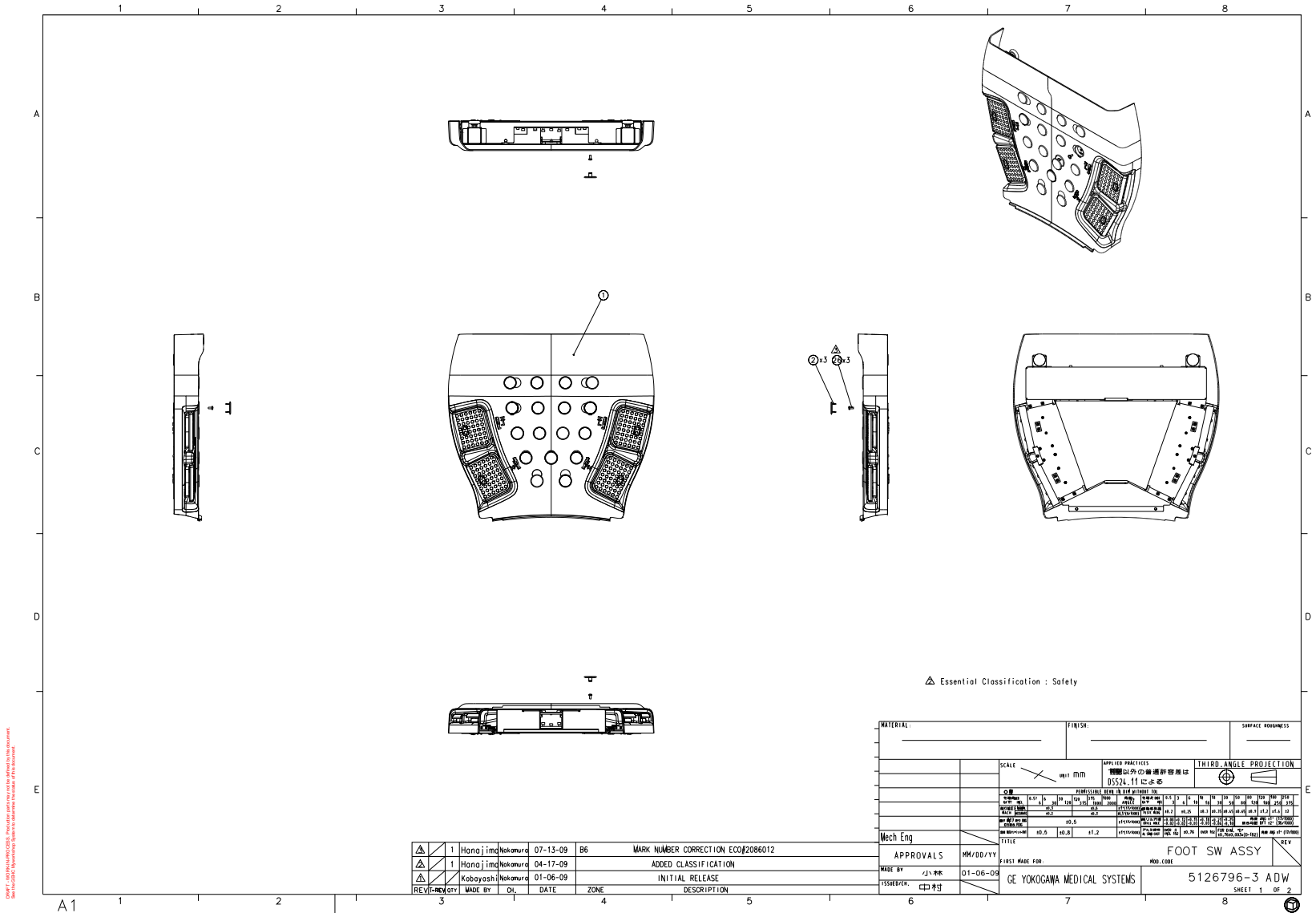


Figure 2-28 Foot Switch Assembly Positioning GT (5126796-3ADW, sheet 1, rev 3)

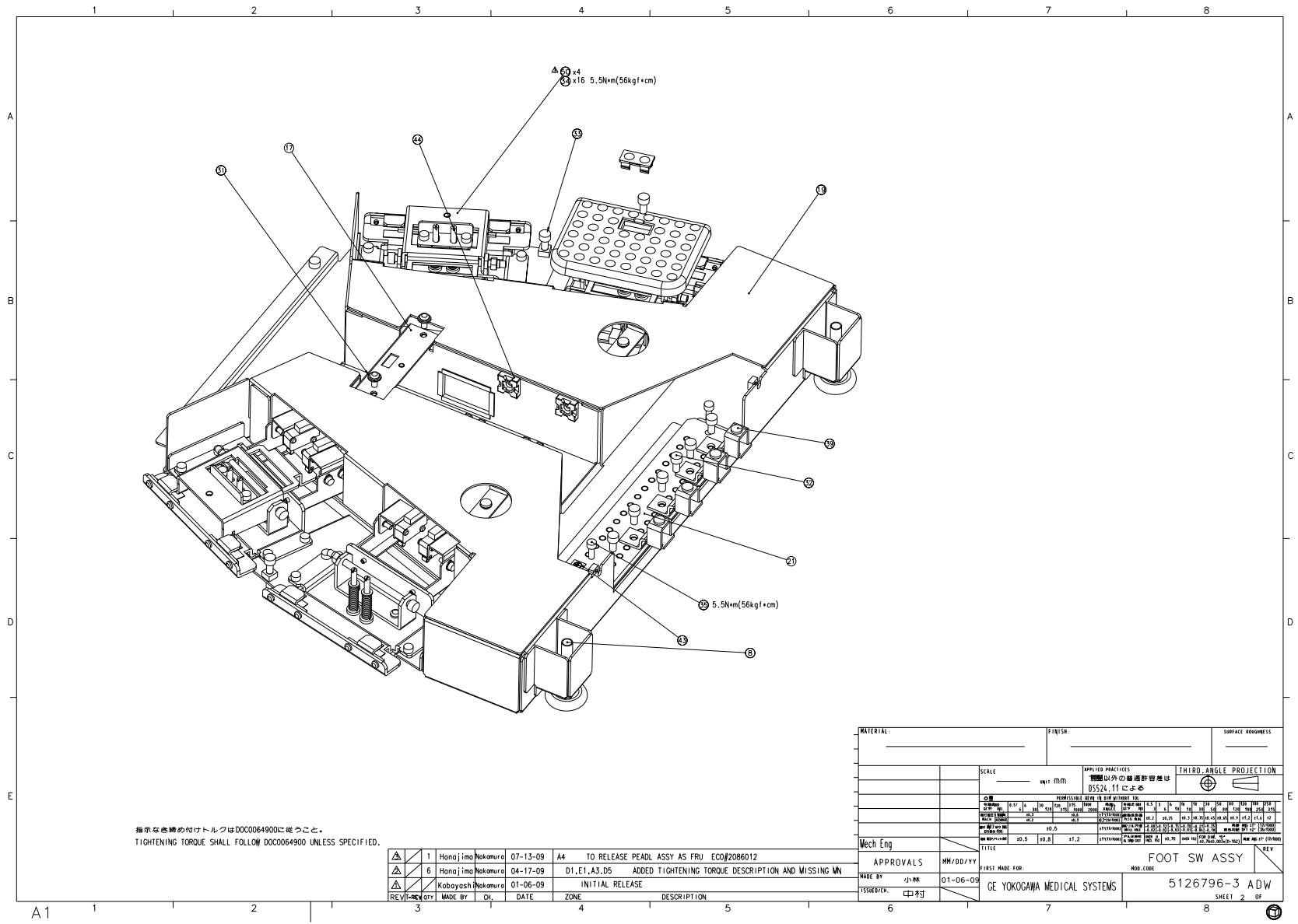


Figure 2-29 Foot Switch Assembly Positioning GT (5126796-3ADW, sheet 2, rev 3)

MARK	NUMBER	QTY	FRU	DESCRIPTION/NAME
1	5115661-2	1.0	Yes	FS COVER positioning GT
2	5118050-2	3.0	Yes	FS COVER LID positioning GT
3	5120586-2	4.0	Yes	pedal cover positioning GT
4	5120587-2	4.0	Yes	pedal cover lid positioning GT
5	U0023AA	16.0	Yes	SCREW
7	U0233AA	4.0	Yes	NUT HEXAGON 6 MM M3-17-9
9	P9155EQ	16.0	Yes	STOP RUBBER
22	5121380	4.0	Yes	FOOT SW END ASSY Positioning GT
23	5121381	1.0	Yes	FOOT SW L CABLE ASSY Positioning GT
24	5121382	1.0	Yes	FOOT SW R CABLE ASSY Positioning GT
25	N9408JS	24.0	Yes	SCREW NABE 4X8 Fe Zn
27	N9412ZX	16.0	Yes	SCREW HEXAGON SOCKET 4 MM 12 MM SCREW
28	N9520ZX	8.0	Yes	SCREW HEXAGON SOCKET 5 MM 20 MM CAP SCREW 5X20 FE
29	N9510JS	8.0	Yes	SCREW NABE 5X10 Fe Zn
31	N9510HR	2.0	Yes	SCREW TP
32	N9612YX	11.0	Yes	SCREW HEXAGON SOCKET 6 MM 12 MM CAP SCREW 6X12 FE
33	N9630YX	2.0	Yes	SCREW HEXAGON SOCKET 6 MM 30 MM CAP SCREW 6X30 FE
34	N9510ZX	16.0	Yes	SCREW HEXAGON SOCKET 5 MM 10 MM CAP SCREW 5X10 FE
37	N9501WS	8.0	Yes	WASHER PLAIN - LARGE 5.3 MM 10 MM WASHER M5
38	N9401WS	16.0	Yes	WASHER PLAIN _ LARGE 4.3 MM 9 MM WASHER 4.3x9x0.8 FE ZN
39	46-297971P1	4.0	Yes	TERMINAL GROUND LUG FOR #4 TO 2/0 CABLE. ALUMINUM BASE, .25~ BOLT HOLE. SCREW COLORED GREEN FOR GROUND IDENT IFICATION. (DWG REV 12/92, JFK - OK) .
41	5127867	1.0	Yes	TABLE GND TO RACEWAY GND BAR CABLE Positioning GT
42	U0507AC	0.3	Yes	PROTECTOR EDGING CE-016
44	U0212AC	6.0	Yes	CLAMP TMS_20
45	U0202AC	2.0	Yes	CLAMP CV_150
46	U0201AC	14.0	Yes	CLAMP CV_100

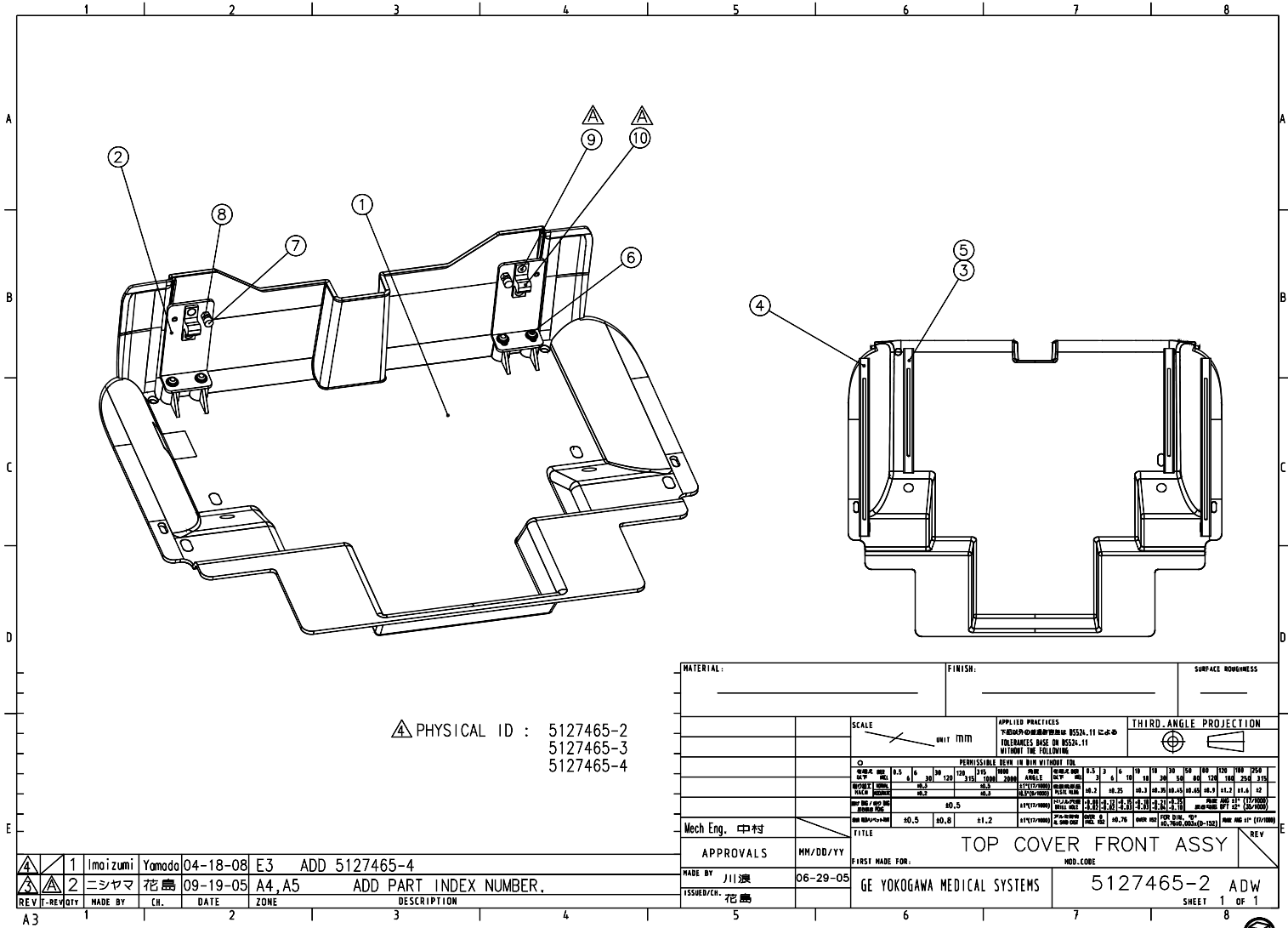
Table 2-6 Foot Switch Assembly Positioning GT (5126796-3 BOM, rev 2)

MARK	NUMBER	QTY	FRU	DESCRIPTION/NAME
6	U0004AQ	8.0	No	SPRING COMPRESSION 47 MM SC-085-120-0470 4017
8	5123636	2.0	No	ADJUSTER Foot U0165AE
10	P9225EN	8.0	No	SHAFT
11	P9185ES	8.0	No	SW_BRKT2
12	5332273	4.0	No	PLATE WASHER positioning GT
13	P9225EP	8.0	No	STOPPER
14	P9225ER	4.0	No	SW_BRKT1
15	P9225EW	4.0	No	SW_BRKT3
16	2174552-3	4.0	No	P9235JT SW PEDAL postioning GT
17	5118061	1.0	No	FS COVER SUP PLATE positioning GT
18	2174553-2	4.0	No	P9235JU PEDAL positioning GT
19	5112987-2	1.0	No	BASE FRAME Positioning GT
20	5112989	4.0	No	SW BASE Positioning GT
21	5112992	1.0	No	GROUND Positioning GT
26	N9512LK	3.0	No	SCREW BIND UTIBATUKI 5X12 BsNi
30	N9600YX	4.0	No	SCREW HEXAGON SOCKET 6 MM 100 MM CAP SCREW 6X100 FE
35	N9514ZX	2.0	No	SCREW HEXAGON SOCKET 5 MM 14 MM
36	N9314JS	16.0	No	SCREW PAN HEAD 3 MM 14 MM SCREW osX 3X14 FE ZN
43	U0022BN	1.0	No	NAME PLATE NAME PLATE-EARTH MARK

Table 2-6 Foot Switch Assembly Positioning GT (5126796-3 BOM, rev 2) (Continued)

1.4 RIM Top Cover Front Assembly positioning GT (5127465-3)

FRU = YES



Approved Document - 5127465-2ADW_r4.pdf Page 2 of 2

Figure 2-30 RIM Top Cover Front Assembly positioning GT (5127465-2ADW, sheet 1, rev 4)

MARK	NUMBER	QTY	FRU	DESCRIPTION/NAME
3	5133731	2.0	Yes	TAPE SWITCH 2 Positioning GT
4	5133732	2.0	Yes	TAPE SWITCH 3 Positioning GT
6	N9510HR	4.0	Yes	SCREW TP
8	N9501BS	2.0	Yes	NUT HEXAGON 5 MM NUT M5 FE ZN
1	5173720	1.0	No	RIM TOP FRONT positioning GT
2	5113608	2.0	No	TOP FRONT BRKT 1 positioning GT
5	5120573	1.0	No	TS_TOP_FRONT Positioning GT
7	N9514ZX	2.0	No	SCREW HEXAGON SOCKET 5 MM 14 MM
9	N9406ES	4.0	No	SCREW SARA 4X6 Fe Zn
10	5123637	2.0	No	Ball Catch U0441AE

Table 2-7 RIM Top Cover Front Assembly positioning GT (5127465-3 BOM, rev 3)

1.5 TOP Cover Rear-1700 Assembly positioning GT (5133505)

FRU = YES

PHYSICAL ID : 5133505
5133505-2

注釈:
1.英語版を貼り付け、他の部分は添付して出荷の事。
NOTE:
1.STICK ENGLISH LABEL,
AND ATTACH OTHER LANGUAGE LABEL TO TABLE.

1	Imaizumi	Yamado	04-18-08	D1	ADD 5133505-2
1	ニシヤマ	花島	07-03-07	D1	TO RESOLVE DUPLICATION WITH 51220801NS-Rev-4.
6	KAWANAMI	中村	08-25-05	A5,A6,B6,B8,C6,D6	ADD ITEM6

MATERIAL:	FINISH:	SURFACE ROUGHNESS
SCALE	UNIT	MM
APPLIED PRACTICES		THIRD ANGLE PROJECTION
JIS B 0501, 11		ASME Y14.3
TOLERANCES BASED ON Y14.75		
UNLESS OTHERWISE SPECIFIED		
PERMISSIBLE BEVEL IN DIM WITH TOLERANCE		
0	0.5	0.3
0.1	0.3	0.2
0.2	0.2	0.2
0.3	0.2	0.2
0.4	0.2	0.2
0.5	0.2	0.2
0.6	0.2	0.2
0.7	0.2	0.2
0.8	0.2	0.2
0.9	0.2	0.2
1.0	0.2	0.2
1.2	0.2	0.2
1.5	0.2	0.2
2.0	0.2	0.2
2.5	0.2	0.2
3.0	0.2	0.2
4.0	0.2	0.2
5.0	0.2	0.2
6.0	0.2	0.2
8.0	0.2	0.2
10.0	0.2	0.2
12.5	0.2	0.2
16.0	0.2	0.2
20.0	0.2	0.2
25.0	0.2	0.2
31.5	0.2	0.2
40.0	0.2	0.2
50.0	0.2	0.2
63.0	0.2	0.2
80.0	0.2	0.2
100.0	0.2	0.2
125.0	0.2	0.2
160.0	0.2	0.2
200.0	0.2	0.2
250.0	0.2	0.2
315.0	0.2	0.2
400.0	0.2	0.2
500.0	0.2	0.2
630.0	0.2	0.2
800.0	0.2	0.2
1000.0	0.2	0.2
1250.0	0.2	0.2
1600.0	0.2	0.2
2000.0	0.2	0.2
2500.0	0.2	0.2
3150.0	0.2	0.2
4000.0	0.2	0.2
5000.0	0.2	0.2
6300.0	0.2	0.2
8000.0	0.2	0.2
10000.0	0.2	0.2
12500.0	0.2	0.2
16000.0	0.2	0.2
20000.0	0.2	0.2
25000.0	0.2	0.2
31500.0	0.2	0.2
40000.0	0.2	0.2
50000.0	0.2	0.2
63000.0	0.2	0.2
80000.0	0.2	0.2
100000.0	0.2	0.2
125000.0	0.2	0.2
160000.0	0.2	0.2
200000.0	0.2	0.2
250000.0	0.2	0.2
315000.0	0.2	0.2
400000.0	0.2	0.2
500000.0	0.2	0.2
630000.0	0.2	0.2
800000.0	0.2	0.2
1000000.0	0.2	0.2

Mech Eng. 中村

APPROVALS MM/DD/YY

MADE BY KAWANAMI 06-29-05

ISSUED/CH. 花島

TITLE TOP COVER REAR 1700 ASSY

FIRST MADE FOR: GE YOKOGAWA MEDICAL SYSTEMS

MOB CODE: 5133505

REV ADW

SHEET 1 OF 1

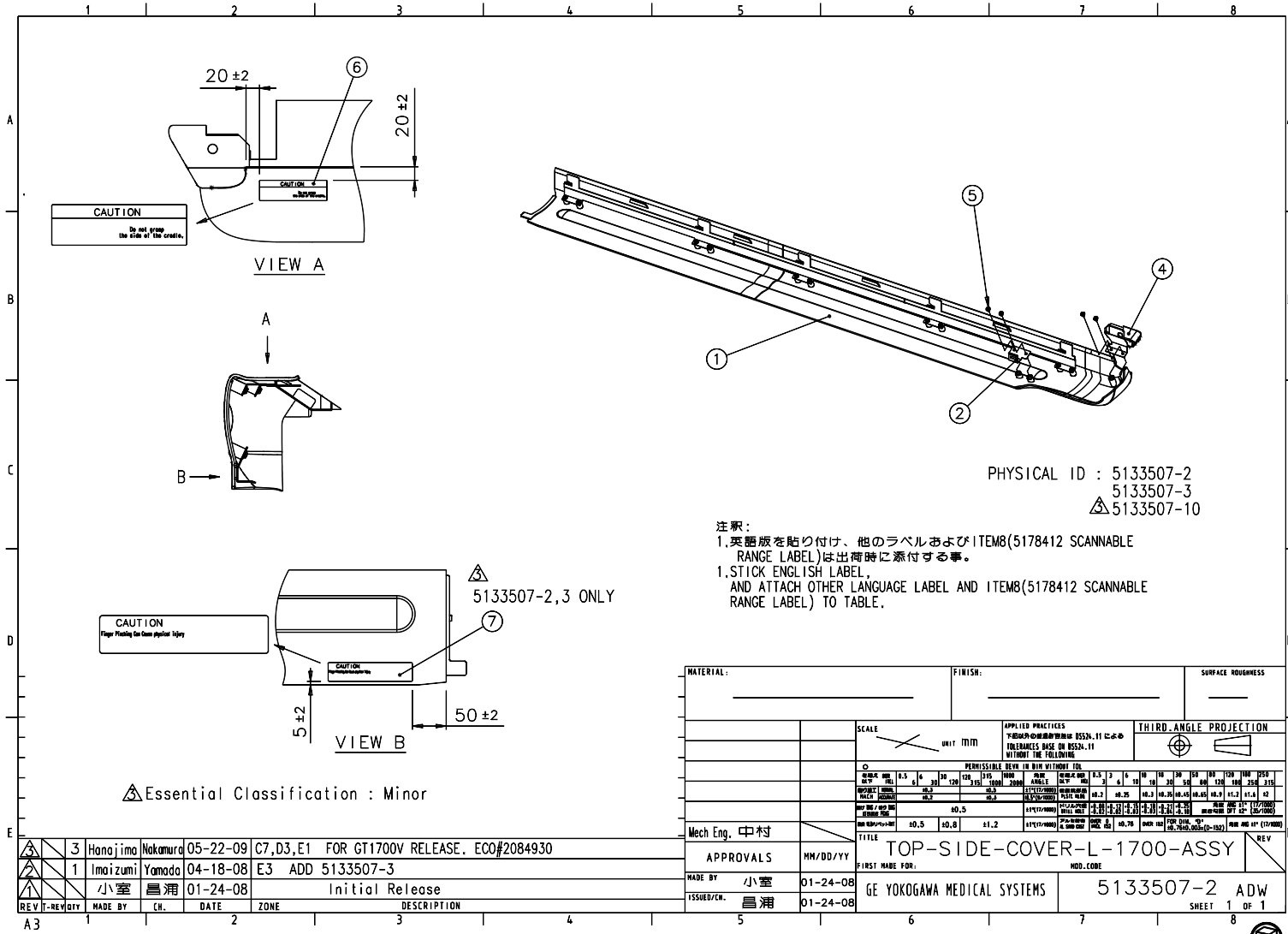
Figure 2-31 TOP Cover Rear-1700 Assembly positioning GT (5133505ADW, sheet 1, rev 5)

MARK	NUMBER	QTY	FRU	DESCRIPTION/NAME
5	N9510HR	6.0	Yes	SCREW TP
6	5129092	1.0	Yes	FINGER PINCHING LABEL Positioning GT
1	5138524	1.0	No	TOP COVER REAR 1700
2	5129664	1.0	No	TOP REAR BRKT-MID-3
3	5132688	1.0	No	TOP REAR BRKT MID-101R positioning GT
4	5132690	1.0	No	TOP REAR BRKT MID-101L positioning GT

Table 2-8 TOP Cover Rear-1700 Assembly positioning GT (5133505 BOM, rev 4)

1.6 Top Side Cover L1700 Assembly positioning GMV (5133507-10)

FRU = NO



State: RELEASE - Document is released and under formal Change Control. Changes are subject to the ECR/ECO Process. See the GEIC Workorder System to determine the status of this document.

Approved Document - 5133507-2ADW_r3.pdf Page 2 of 2

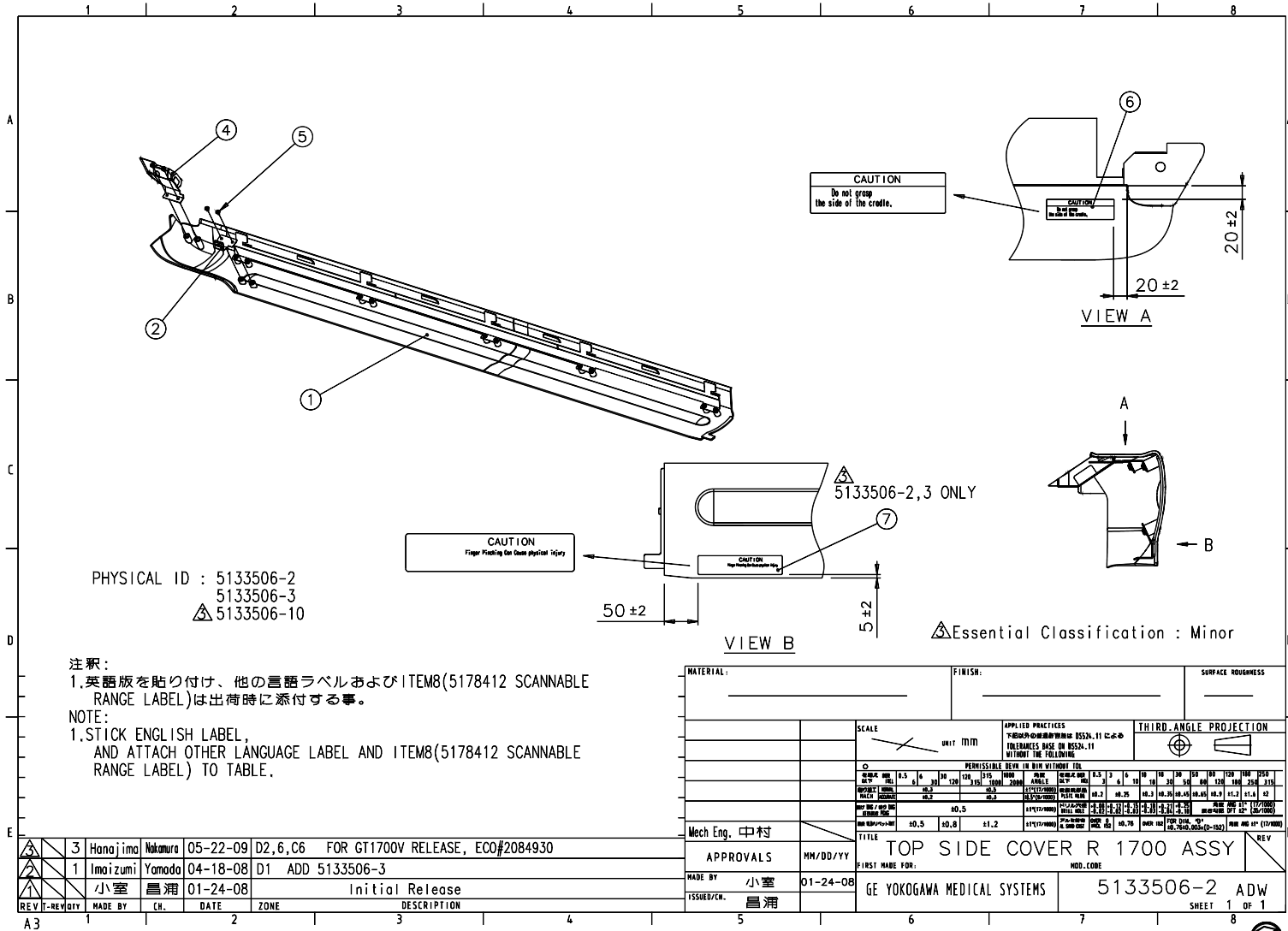
Figure 2-32 Top Side Cover L1700 Assembly positioning GMV (5133507-2ADW, sheet 1, rev 3)

MARK	NUMBER	QTY	FRU	DESCRIPTION/NAME
2	5113622	1.0	Yes	TOP COVER SIDE BRKT 9A positioning GT
5	N9510HR	14.0	Yes	SCREW TP
6	2199652	1.0	Yes	P9235LZ LABEL
1	5129860-2	1.0	No	TOP COVER SIDE L 1700 Positioning GT
4	5115665	1.0	No	FINGER PROTCTER L positioning GT

Table 2-9 Top Side Cover L1700 Assembly positioning GMV (5133507-10 BOM, rev 2)

1.7 Top Side Cover R-1700 Assembly positioning GMV (5133506-10)

FRU = NO



Approved Document - 5133506-2ADW_r3.pdf Page 2 of 2

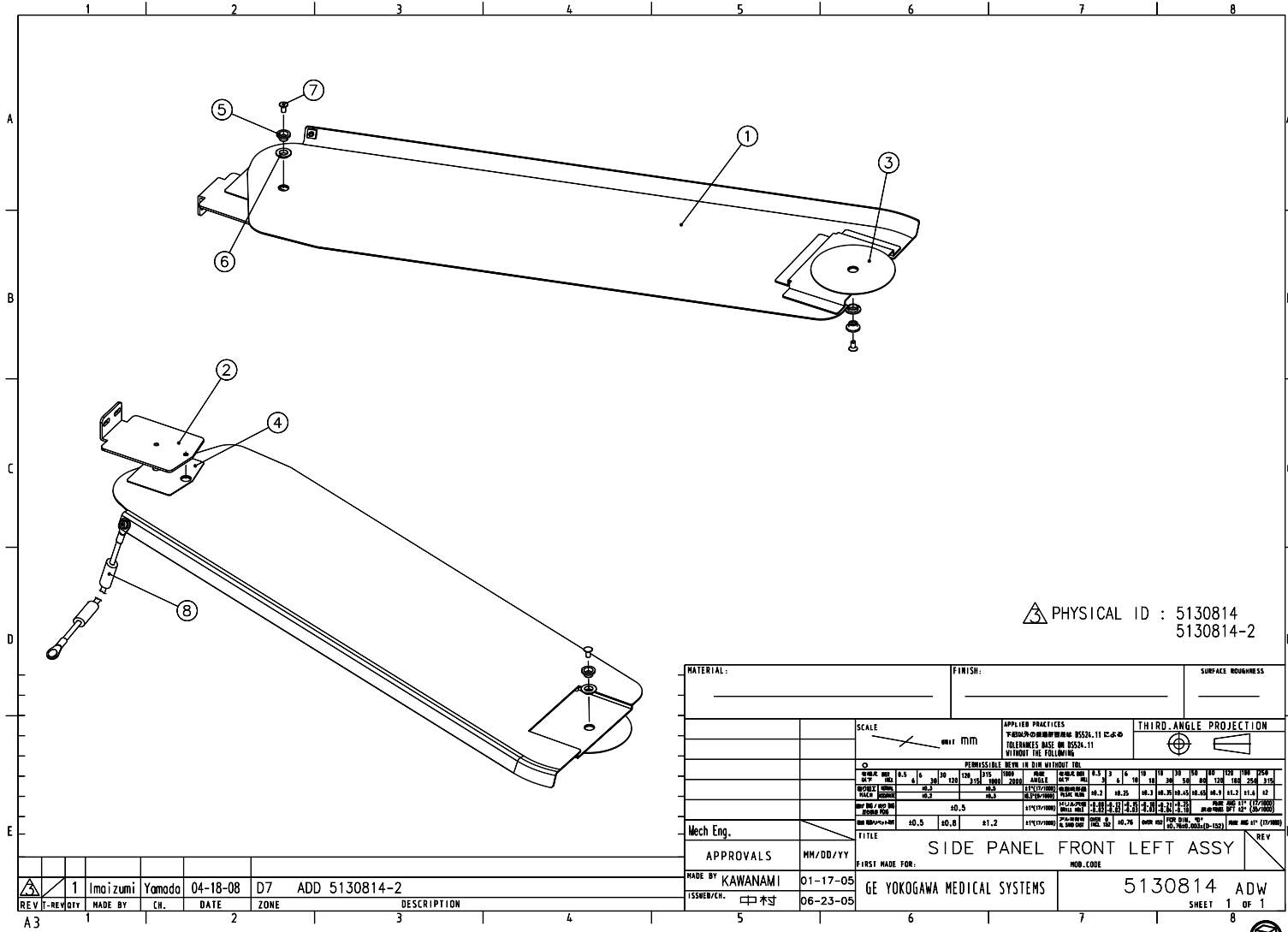
Figure 2-33 Top Side Cover R-1700 Assembly positioning GMV (5133506-2ADW, sheet 1, rev 3)

MARK	NUMBER	QTY	FRU	DESCRIPTION/NAME
2	5113622	1.0	Yes	TOP COVER SIDE BRKT 9A positioning GT
5	N9510HR	14.0	Yes	SCREW TP
6	2199652	1.0	Yes	P9235LZ LABEL
1	5138523-2	1.0	No	TOP COVER SIDE R 1700 positioning GT
4	5115664	1.0	No	FINGER PROTCTER R positioning GT

Table 2-10 Top Side Cover R-1700 Assembly positioning GMV (5133506-10 BOM, rev 2)

1.8 Side-Panel-Front-Left-Assembly, Positioning GT (5130814)

FRU = YES



State: RELEASE - Document is released and under formal Change Control. Changes are subject to the ECR/ECO Process. See the GEHC Workplace System to determine the status of this document.

△ PHYSICAL ID : 5130814
5130814-2

MATERIAL:		FINISH:		SURFACE ROUGHNESS	
SCALE		APPLIED PRACTICES		THIRD ANGLE PROJECTION	
mm / mm		JIS B 0524, 11 C, 6-D			
		TOLERANCES BASED ON BS24:11 UNLESS OTHERWISE SPECIFIED			
		PERMISSIBLE DEVIATION IN THE MILLIMETER TABLE			
mm	mm	mm	mm	mm	mm
0.05	0.10	0.15	0.20	0.25	0.30
0.10	0.20	0.30	0.40	0.50	0.60
0.15	0.30	0.45	0.60	0.75	0.90
0.20	0.40	0.60	0.80	1.00	1.20
0.25	0.50	0.75	1.00	1.25	1.50
0.30	0.60	0.90	1.20	1.50	1.80
0.35	0.70	1.05	1.40	1.75	2.10
0.40	0.80	1.20	1.60	2.00	2.40
0.45	0.90	1.35	1.80	2.25	2.70
0.50	1.00	1.50	2.00	2.50	3.00
0.55	1.10	1.65	2.20	2.75	3.30
0.60	1.20	1.80	2.40	3.00	3.60
0.65	1.30	1.95	2.60	3.25	3.90
0.70	1.40	2.10	2.80	3.50	4.20
0.75	1.50	2.25	3.00	3.75	4.50
0.80	1.60	2.40	3.20	4.00	4.80
0.85	1.70	2.55	3.40	4.25	5.10
0.90	1.80	2.70	3.60	4.50	5.40
0.95	1.90	2.85	3.80	4.75	5.70
1.00	2.00	3.00	4.00	5.00	6.00
1.05	2.10	3.15	4.20	5.25	6.30
1.10	2.20	3.30	4.40	5.50	6.60
1.15	2.30	3.45	4.60	5.75	6.90
1.20	2.40	3.60	4.80	6.00	7.20
1.25	2.50	3.75	5.00	6.25	7.50
1.30	2.60	3.90	5.20	6.50	7.80
1.35	2.70	4.05	5.40	6.75	8.10
1.40	2.80	4.20	5.60	7.00	8.40
1.45	2.90	4.35	5.80	7.25	8.70
1.50	3.00	4.50	6.00	7.50	9.00
1.55	3.10	4.65	6.20	7.75	9.30
1.60	3.20	4.80	6.40	8.00	9.60
1.65	3.30	4.95	6.60	8.25	9.90
1.70	3.40	5.10	6.80	8.50	10.20
1.75	3.50	5.25	7.00	8.75	10.50
1.80	3.60	5.40	7.20	9.00	10.80
1.85	3.70	5.55	7.40	9.25	11.10
1.90	3.80	5.70	7.60	9.50	11.40
1.95	3.90	5.85	7.80	9.75	11.70
2.00	4.00	6.00	8.00	10.00	12.00
2.05	4.10	6.15	8.20	10.25	12.30
2.10	4.20	6.30	8.40	10.50	12.60
2.15	4.30	6.45	8.60	10.75	12.90
2.20	4.40	6.60	8.80	11.00	13.20
2.25	4.50	6.75	9.00	11.25	13.50
2.30	4.60	6.90	9.20	11.50	13.80
2.35	4.70	7.05	9.40	11.75	14.10
2.40	4.80	7.20	9.60	12.00	14.40
2.45	4.90	7.35	9.80	12.25	14.70
2.50	5.00	7.50	10.00	12.50	15.00
2.55	5.10	7.65	10.20	12.75	15.30
2.60	5.20	7.80	10.40	13.00	15.60
2.65	5.30	7.95	10.60	13.25	15.90
2.70	5.40	8.10	10.80	13.50	16.20
2.75	5.50	8.25	11.00	13.75	16.50
2.80	5.60	8.40	11.20	14.00	16.80
2.85	5.70	8.55	11.40	14.25	17.10
2.90	5.80	8.70	11.60	14.50	17.40
2.95	5.90	8.85	11.80	14.75	17.70
3.00	6.00	9.00	12.00	15.00	18.00
3.05	6.10	9.15	12.20	15.25	18.30
3.10	6.20	9.30	12.40	15.50	18.60
3.15	6.30	9.45	12.60	15.75	18.90
3.20	6.40	9.60	12.80	16.00	19.20
3.25	6.50	9.75	13.00	16.25	19.50
3.30	6.60	9.90	13.20	16.50	19.80
3.35	6.70	10.05	13.40	16.75	20.10
3.40	6.80	10.20	13.60	17.00	20.40
3.45	6.90	10.35	13.80	17.25	20.70
3.50	7.00	10.50	14.00	17.50	21.00
3.55	7.10	10.65	14.20	17.75	21.30
3.60	7.20	10.80	14.40	18.00	21.60
3.65	7.30	10.95	14.60	18.25	21.90
3.70	7.40	11.10	14.80	18.50	22.20
3.75	7.50	11.25	15.00	18.75	22.50
3.80	7.60	11.40	15.20	19.00	22.80
3.85	7.70	11.55	15.40	19.25	23.10
3.90	7.80	11.70	15.60	19.50	23.40
3.95	7.90	11.85	15.80	19.75	23.70
4.00	8.00	12.00	16.00	20.00	24.00

REV	REV/DIT	MADE BY	CH.	DATE	ZONE	DESCRIPTION
1		Imaizumi	Yamada	04-18-08	D7	ADD 5130814-2

Mech Eng.	APPROVALS	MM/DD/YY	TITLE	REV
	MADE BY KAWANAMI	01-17-05	SIDE PANEL FRONT LEFT ASSY	
	ISSUED/CH. 中本	06-23-05	GE YOKOGAWA MEDICAL SYSTEMS	5130814 ADW
				SHEET 1 OF 1

Approved Document - 5130814ADW_r3.pdf Page 2 of 2

Figure 2-34 Side-Panel-Front-Left-Assembly, Positioning GT (5130814ADW, sheet 1, rev 3)

MARK	NUMBER	QTY	FRU	DESCRIPTION/NAME
1	5113110	1.0	Yes	SIDE PANEL FRONT LEFT positioning GT
8	5126552	1.0	Yes	GND WIRE COVER Positioning GT
10	U0037BA	0.3	Yes	TAPE VHB Y_4950 15M_M 11M
2	5118067	1.0	No	SIDE PANEL BRKT UPR F positioning GT
3	5120589	2.0	No	SIDE-PANNEL-SPCR-LWR positioning GT
4	5120590	2.0	No	SIDE PANEL SPCR UPR positioning GT
5	5112207	2.0	No	SIDE PANEL SHAFT
6	5123639	2.0	No	OILLESS BUSH Bearing Special Parts U0935AH
7	N9510ES	2.0	No	SCREW COUNTERSUNK HEA 5 MM 10 MM SCREW s[5X10 FE ZN
9	N9508ZX	1.0	No	SCREW CAP SCREW 5X8 Fe * CAP SCREW 5X8 FE

Table 2-11 Side-Panel-Front-Left-Assembly, Positioning GT (5130814 BOM, rev 3)

MARK	NUMBER	QTY	FRU	DESCRIPTION/NAME
1	5113111	1.0	Yes	SIDE PANEL REAR LEFT positioning GT
8	5126552	1.0	Yes	GND WIRE COVER Positioning GT
10	U0037BA	0.3	Yes	TAPE VHB Y_4950 15M_M 11M
2	5118068	1.0	No	SIDE PANEL BRKT UPR R positioning GT
3	5120589	2.0	No	SIDE-PANNEL-SPCR-LWR positioning GT
4	5120590	2.0	No	SIDE PANEL SPCR UPR positioning GT
5	5112207	2.0	No	SIDE PANEL SHAFT
6	5123639	2.0	No	OILLESS BUSH Bearing Special Parts U0935AH
7	N9510ES	2.0	No	SCREW COUNTERSUNK HEA 5 MM 10 MM SCREW s[5X10 FE ZN
9	N9508ZX	1.0	No	SCREW CAP SCREW 5X8 Fe * CAP SCREW 5X8 FE

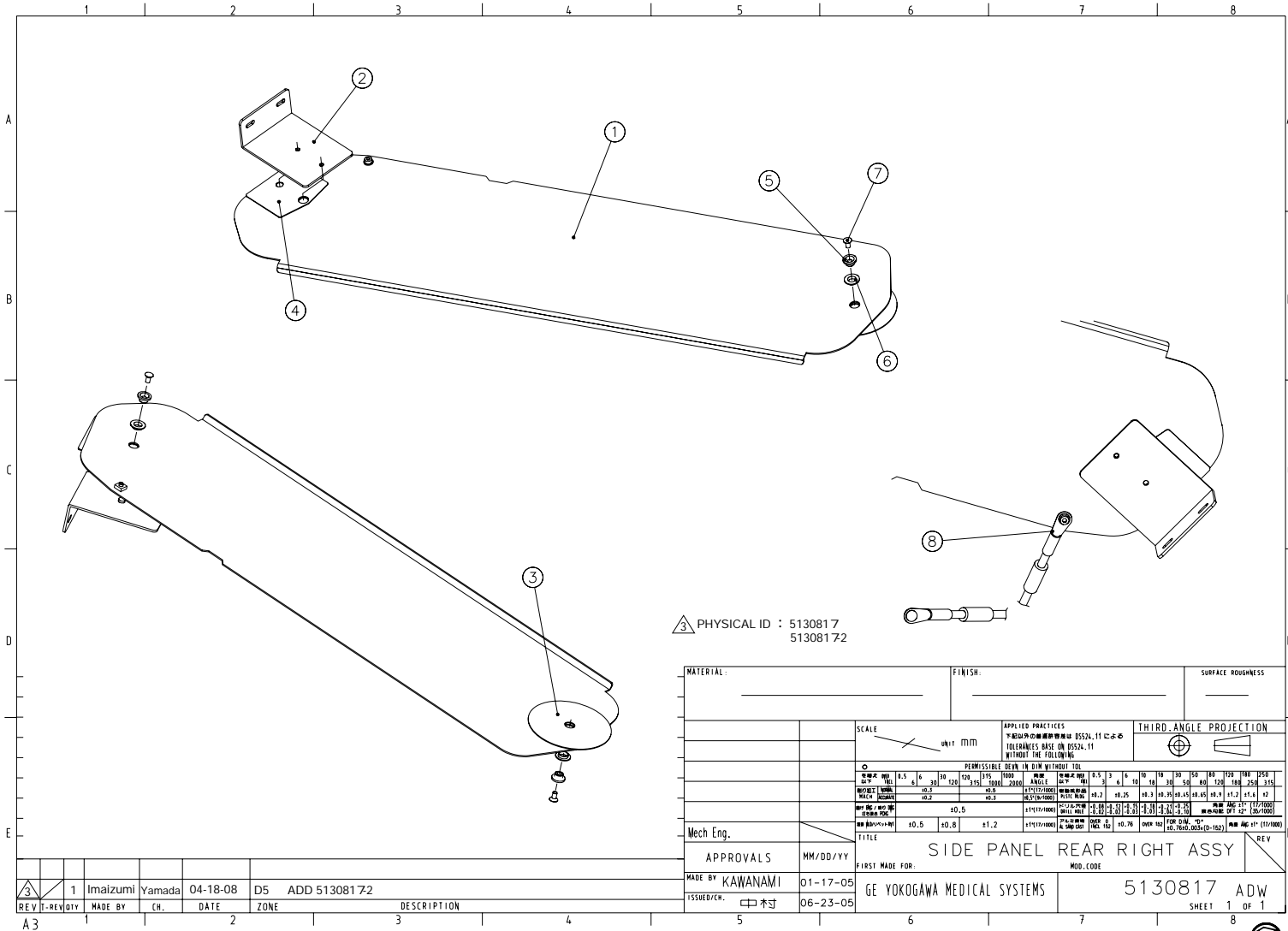
Table 2-12 Side-Panel-Rear-Left-Assembly, Positioning GT (5130815 BOM, rev 3)

MARK	NUMBER	QTY	FRU	DESCRIPTION/NAME
1	5113112	1.0	Yes	RIGHT FRONT SIDE PANEL positioning GT
8	5126552	1.0	Yes	GND WIRE COVER Positioning GT
10	U0037BA	0.3	Yes	TAPE VHB Y_4950 15M_M 11M
2	5118067	1.0	No	SIDE PANEL BRKT UPR F positioning GT
3	5120589	2.0	No	SIDE-PANNEL-SPCR-LWR positioning GT
4	5120590	2.0	No	SIDE PANEL SPCR UPR positioning GT
5	5112207	2.0	No	SIDE PANEL SHAFT
6	5123639	2.0	No	OILLESS BUSH Bearing Special Parts U0935AH
7	N9510ES	2.0	No	SCREW COUNTERSUNK HEA 5 MM 10 MM SCREW s[5X10 FE ZN
9	N9508ZX	1.0	No	SCREW CAP SCREW 5X8 Fe * CAP SCREW 5X8 FE

Table 2-13 Side-Panel-Front-Right-Assembly, Positioning GT (5130816 BOM, rev 3)

1.11 Side-Panel-Rear-Right-Assembly, Positioning GT (5130817)

FRU = YES



Start RELEASE Document is released and under formal Change Control. Changes are subject to the ECR/ECO Process. See the GE/CX Myworkshop System to determine the status of this document.

Approved Document - 5130817ADW_r3.pdf Page 2 of 2

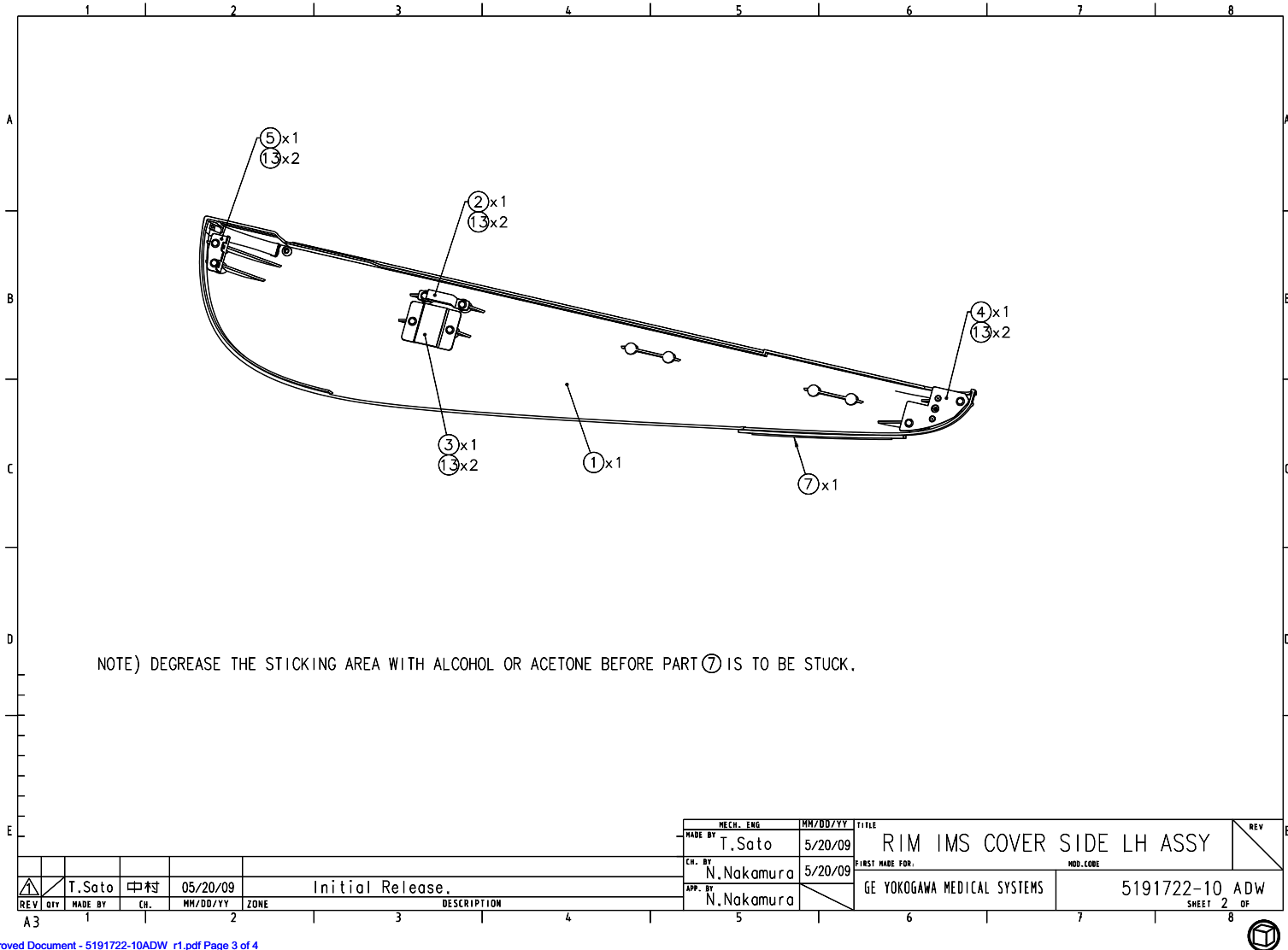
Figure 2-37 Side-Panel-Rear-Right-Assembly, Positioning GT (5130817ADW, sheet 1, rev 3)

MARK	NUMBER	QTY	FRU	DESCRIPTION/NAME
1	5113113	1.0	Yes	SIDE PANEL REAR RIGHT positioning GT
8	5126552	1.0	Yes	GND WIRE COVER Positioning GT
10	U0037BA	0.3	Yes	TAPE VHB Y_4950 15M_M 11M
2	5118068	1.0	No	SIDE PANEL BRKT UPR R positioning GT
3	5120589	2.0	No	SIDE-PANNEL-SPCR-LWR positioning GT
4	5120590	2.0	No	SIDE PANEL SPCR UPR positioning GT
5	5112207	2.0	No	SIDE PANEL SHAFT
6	5123639	2.0	No	OILLESS BUSH Bearing Special Parts U0935AH
7	N9510ES	2.0	No	SCREW COUNTERSUNK HEA 5 MM 10 MM SCREW s[5X10 FE ZN
9	N9508ZX	1.0	No	SCREW CAP SCREW 5X8 Fe * CAP SCREW 5X8 FE

Table 2-14 Side-Panel-Rear-Right-Assembly, Positioning GT (5130817 BOM, rev 3)

1.12 RIM IMS Cover Side LH Assembly positioning GMV (5191722-10)

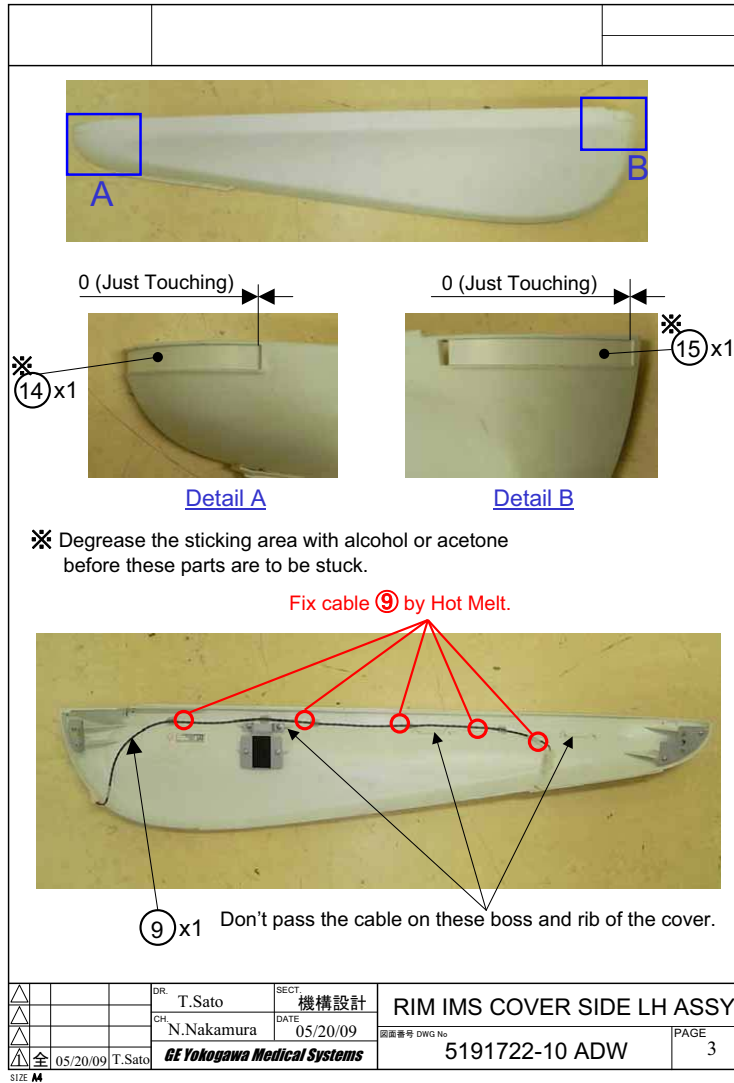
FRU = YES



State RELEASE. Document is released and under formal Change Control. Changes are subject to the ECR/ECO Process. See the GE/CX Relationship System to determine the status of this document.

Approved Document - 5191722-10ADW_r1.pdf Page 3 of 4

Figure 2-38 RIM IMS Cover Side LH Assembly positioning GMV (5191722-10ADW, sheet 2, rev 1)



State: RELEASE - Document is released and under formal Change Control. Changes are subject to the ECR/ECO Process. See the GEFC MyWorkshop System to determine the status of this document.

Approved Document - 5191722-10ADW_r1.pdf Page 4 of 4

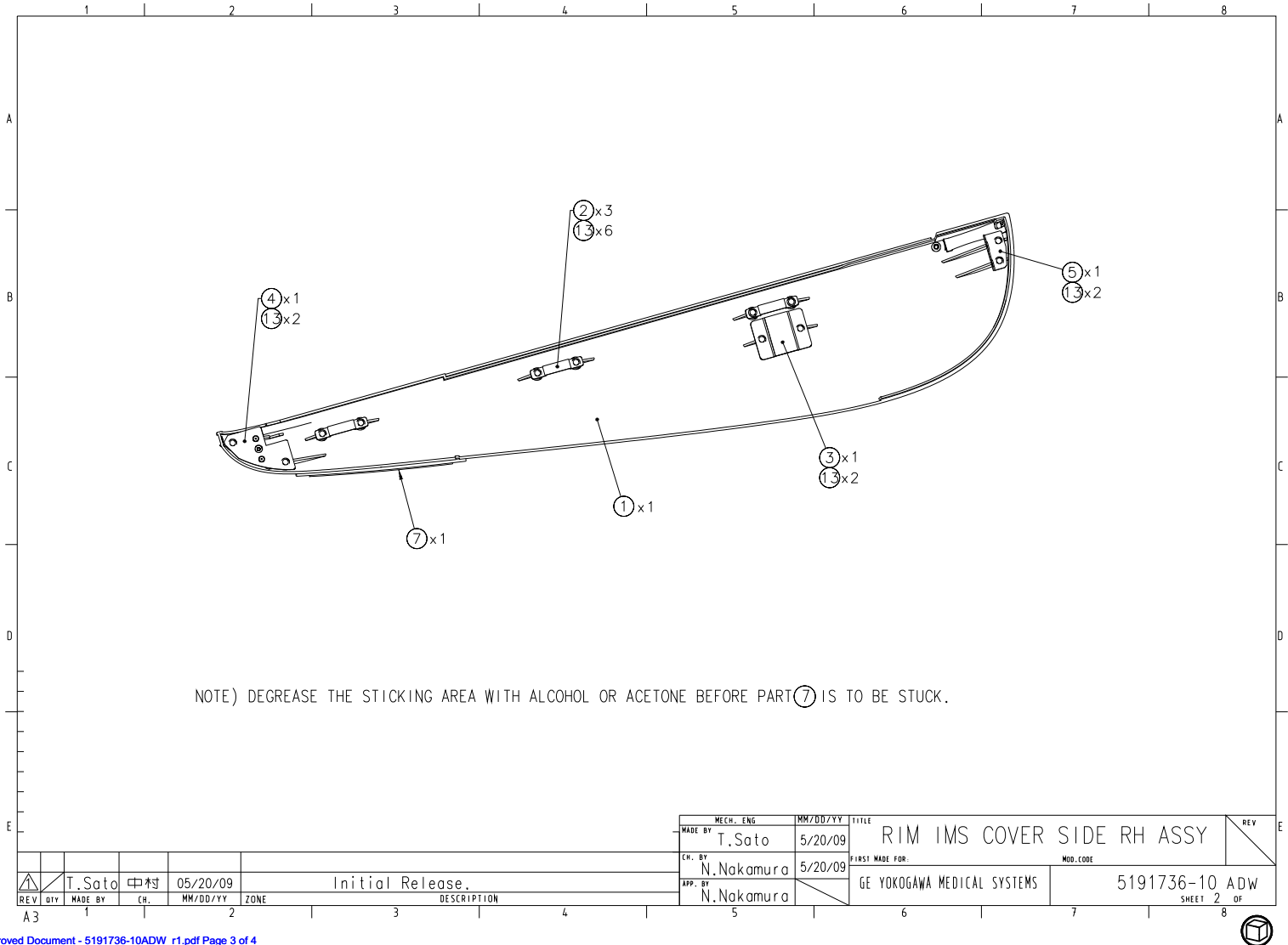
Figure 2-39 RIM IMS Cover Side LH Assembly positioning GMV (5191722-10ADW, sheet 3, rev 1)

MARK	NUMBER	QTY	FRU	DESCRIPTION/NAME
7	5133732	1.0	Yes	TAPE SWITCH 3 Positioning GT
13	N9510HR	8.0	Yes	SCREW TP
1	5173144	1.0	No	RIM IMS COVER SIDE L Positioning GT
2	5175786	1.0	No	SUPPORT BRKT IMS SIDE L Positioning GT
3	5113597	1.0	No	IMS COVER BRKT 8 positioning GT
4	5113600	1.0	No	IMS SIDE BRKT 1L positioning GT
5	5135990	1.0	No	IMS-COVER-BRKT-25L positioning GT
9	5333878	1.0	No	LEFT SIDE COVER TS CABLE Positioning GT 1700 V
14	5341295	1.0	No	IMS COVER STICKER FRONT Positioning GMV
15	5341295-2	1.0	No	IMS COVER STICKER REAR Positioning GMV

Table 2-15 RIM IMS Cover Side LH Assembly positioning GMV (5191722-10 BOM, rev 2)

1.13 RIM IMS Cover Side RH Assembly positioning GMV (5191736-10)

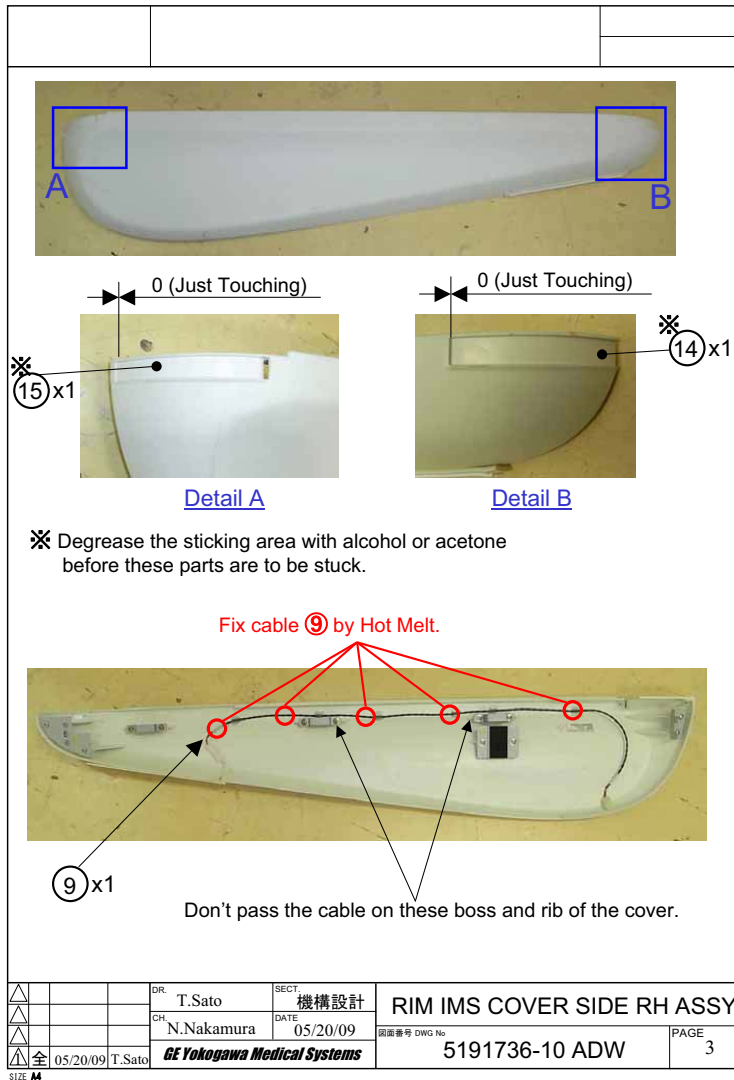
FRU = YES



State: RELEASE - Document is released and under formal Change Control. Changes are subject to the ECR/ECO Process. See the GERC Workings System to determine the status of this document.

Approved Document - 5191736-10ADW_r1.pdf Page 3 of 4

Figure 2-40 RIM IMS Cover Side RH Assembly positioning GMV (5191736-10ADW, sheet 2, rev 1)



State: RELEASE - Document is released and under formal Change Control. Changes are subject to the ECR/ECO Process. See the GEHC MyWorkshop System to determine the status of this document.

Approved Document - 5191736-10ADW_r1.pdf Page 4 of 4

Figure 2-41 RIM IMS Cover Side RH Assembly positioning GMV (5191736-10ADW, sheet 3, rev 1)

MARK	NUMBER	QTY	FRU	DESCRIPTION/NAME
7	5133732	1.0	Yes	TAPE SWITCH 3 Positioning GT
13	N9510HR	12.0	Yes	SCREW TP
1	5173123	1.0	No	RIM IMS COVER SIDE R Positioning GT
2	5176056	3.0	No	SUPPORT BRKT IMS SIDE R Positioning GT
3	5113597	1.0	No	IMS COVER BRKT 8 positioning GT
4	5113601	1.0	No	IMS SIDE BRKT 1R positioning GT
5	5135987	1.0	No	IMS-COVER-BRKT-25R positioning GT
9	5333876	1.0	No	RIGHT SIDE COVER TS CABLE Positioning GT 1700 V
14	5341295	1.0	No	IMS COVER STICKER FRONT Positioning GMV
15	5341295-2	1.0	No	IMS COVER STICKER REAR Positioning GMV

Table 2-16 RIM IMS Cover Side RH Assembly positioning GMV (5191736-10 BOM, rev 2)

Section 2.0 — Ship Collector GT MID Simplified (5138509-10)

FRU = NO

MARK	NUMBER	QTY	FRU	DESCRIPTION/NAME
1	2115996-3	1.0	Yes	AXIAL HEADHOLDER ASM WITH RATING PLATE AND SELF-CATCHING LATCH
3	2115993-2	1.0	Yes	LCC METALLESS CRADLE EXTENDER HSA METALLESS FOOT EXTENDER WITH RATING PLATE AND SELF-CATCHING LATCH
10	5122945-2	1.0	Yes	EXTENDER PAD 400 Positioning GT
20	5193132	1.0	Yes	FIELD EMERGENCY KIT Positioning GT
9	5133823-2	1.0	No	CRADLE PAD GT MID positioning GT
16	5131377	1.0	No	MSDS GT TABLE Positioning GT

Table 2-17 Ship Collector GT MID Simplified (5138509-10 BOM, rev 1)

