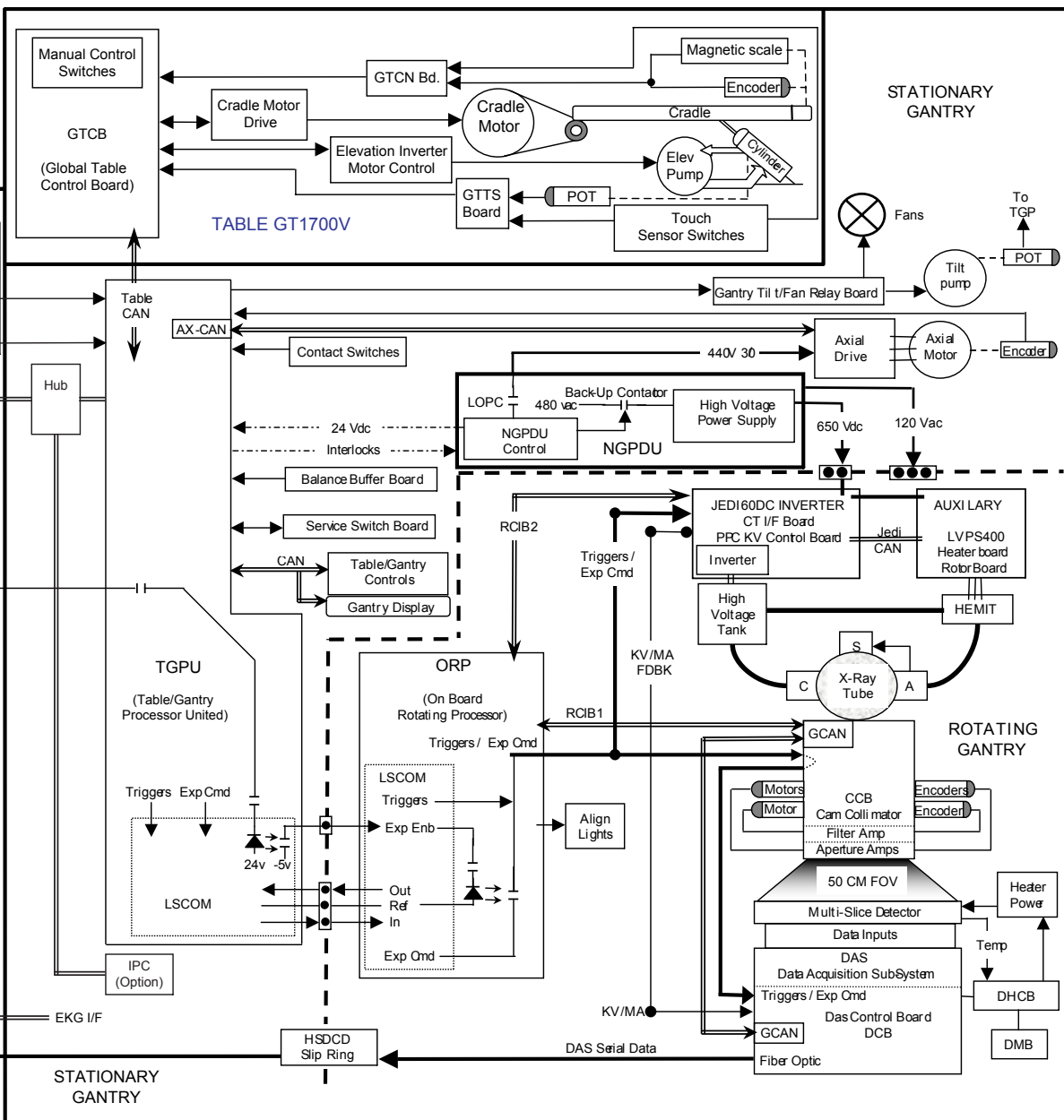
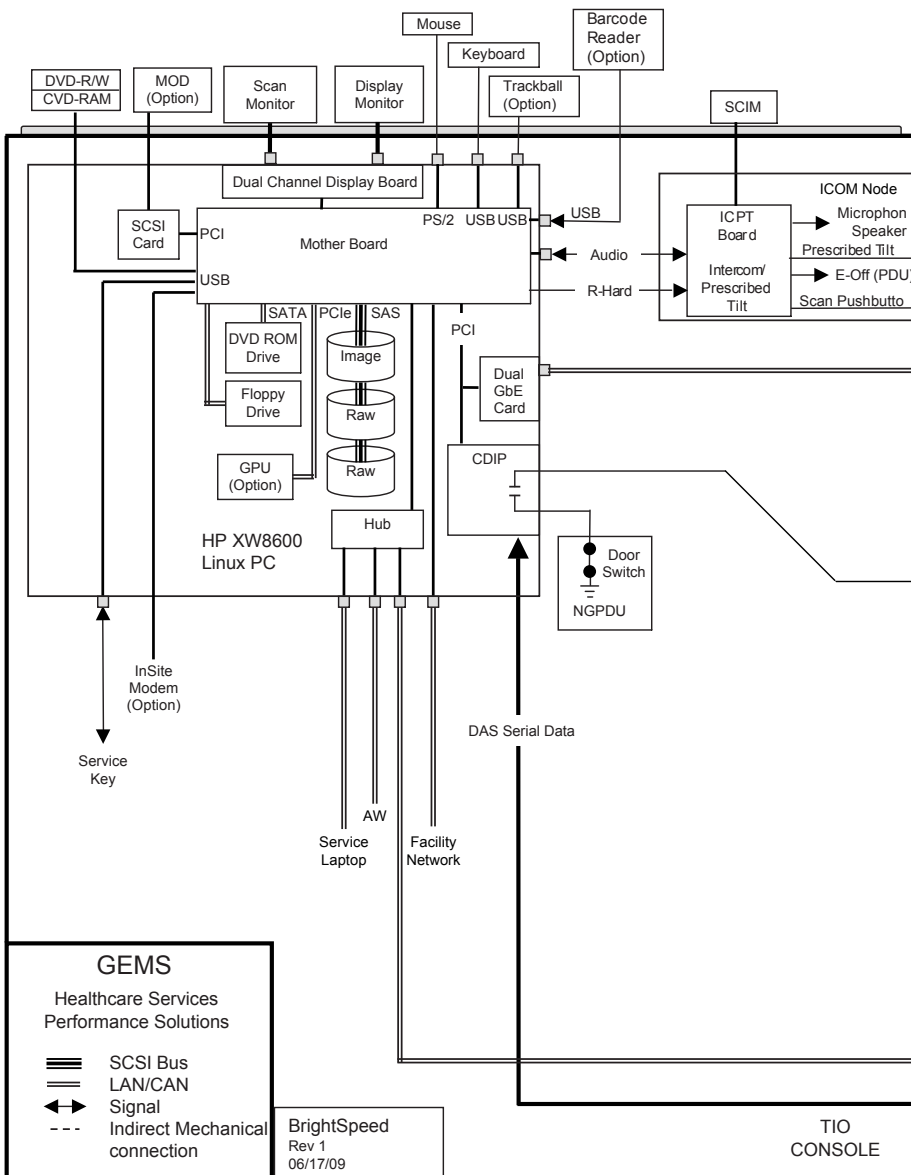


BrightSpeed System Block Diagram



GEMS
Healthcare Services
Performance Solutions

- ≡≡≡ SCSI Bus
- ≡≡≡ LAN/CAN
- ↔ Signal
- Indirect Mechanical connection

BrightSpeed
Rev 1
06/17/09